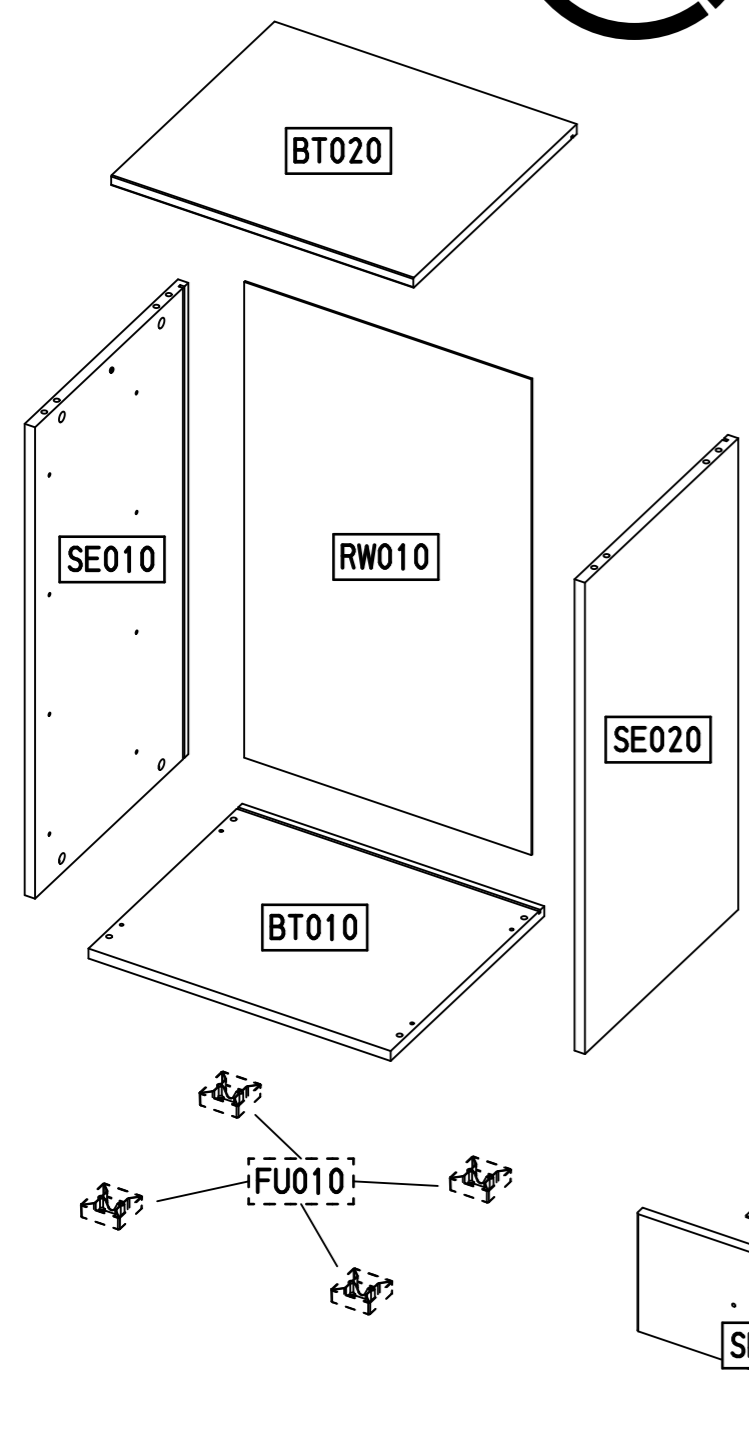
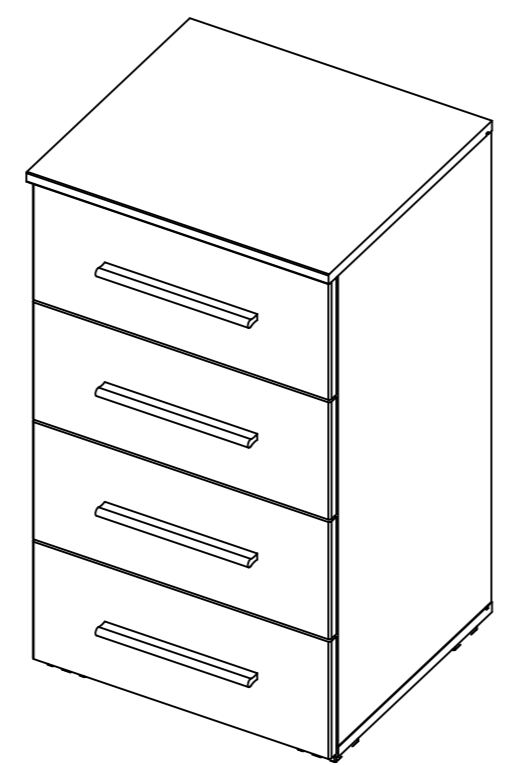
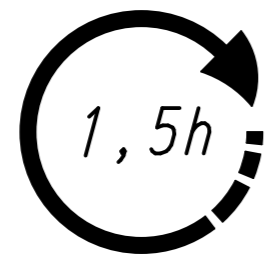
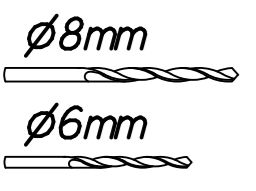
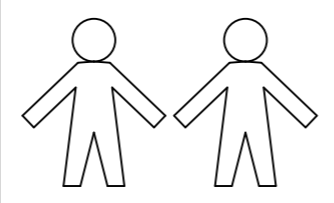
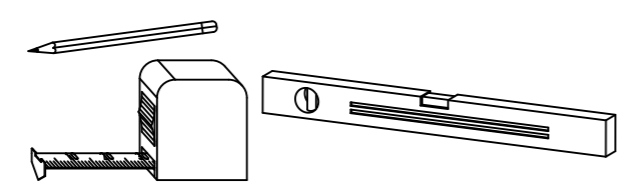
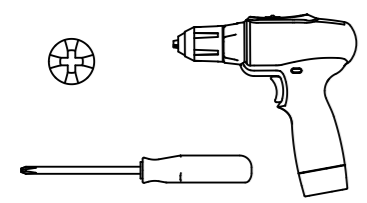


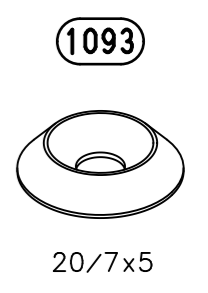
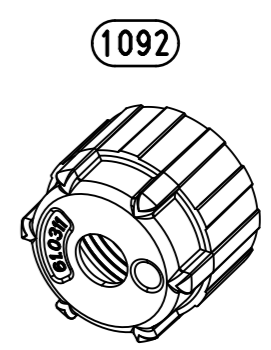
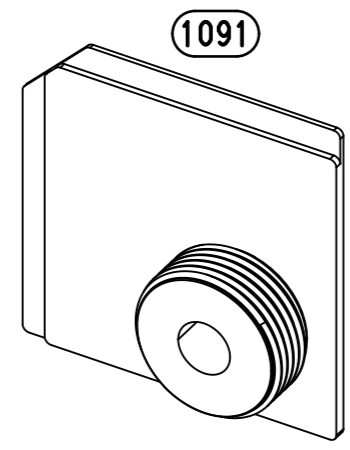
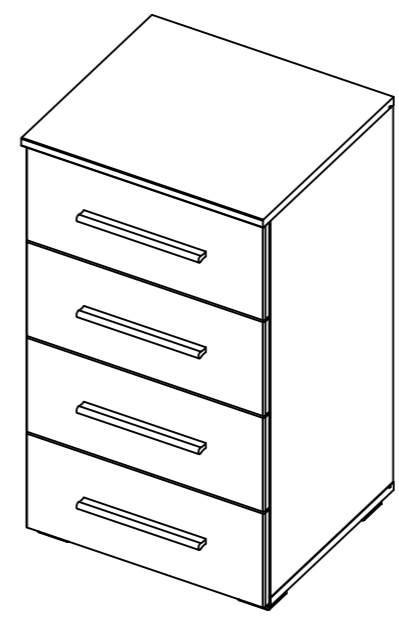
1.

M2091\_04

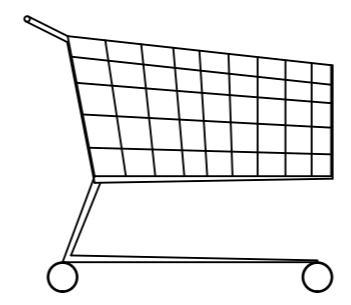
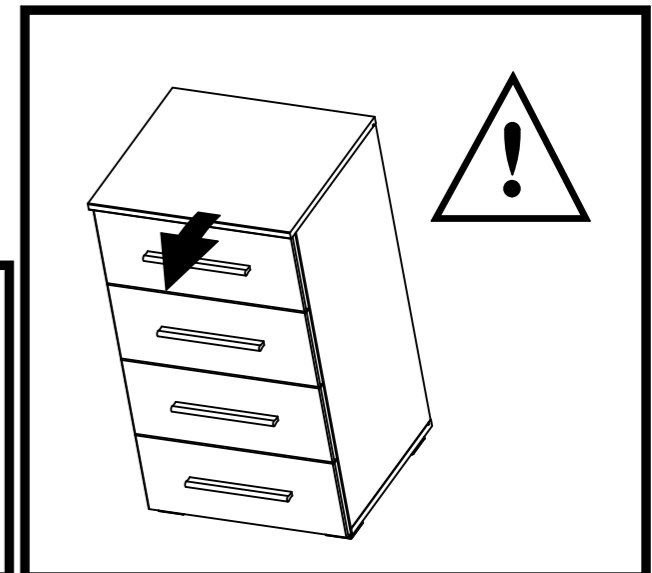
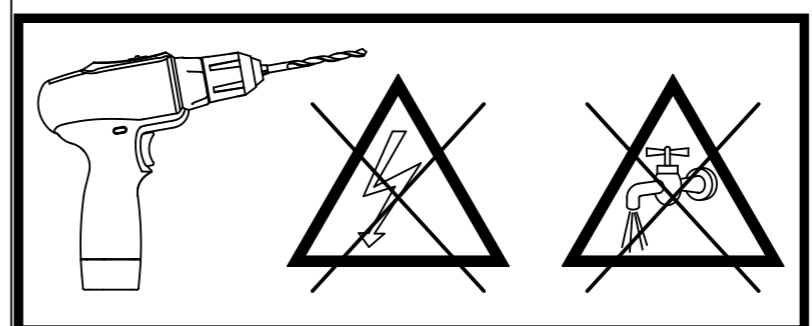
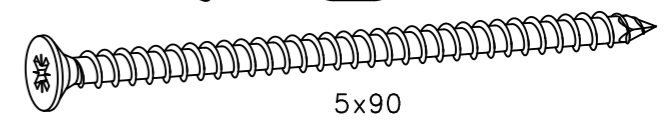


2.

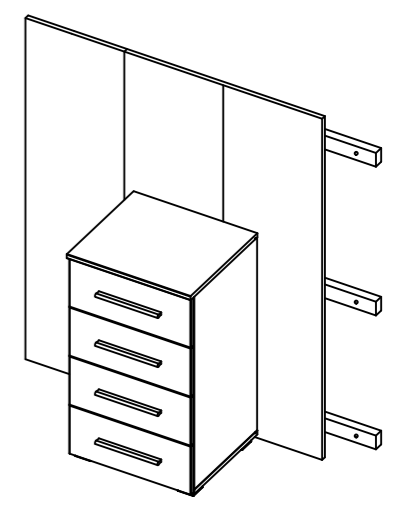
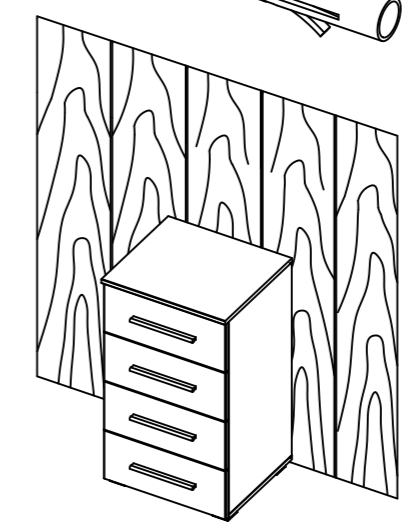
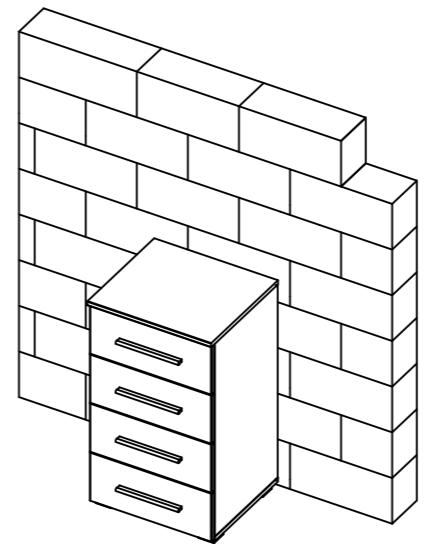
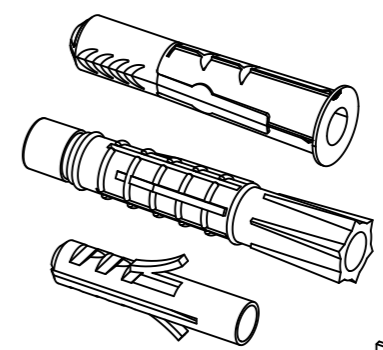
2x



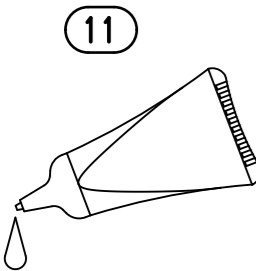
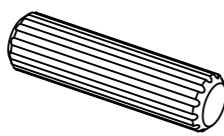
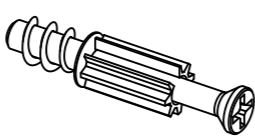

1147

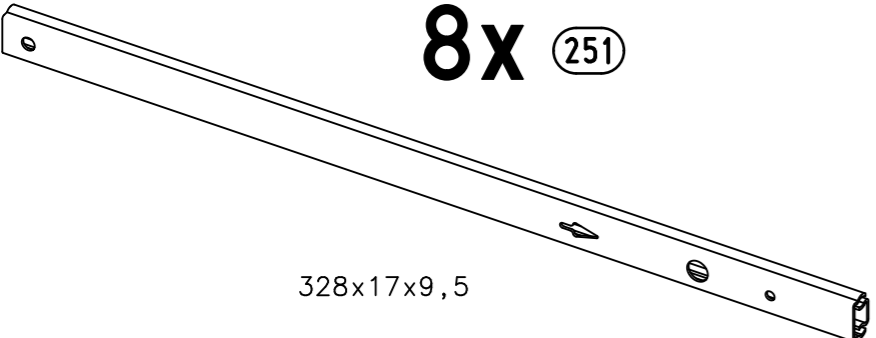




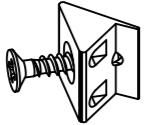
ø8mm

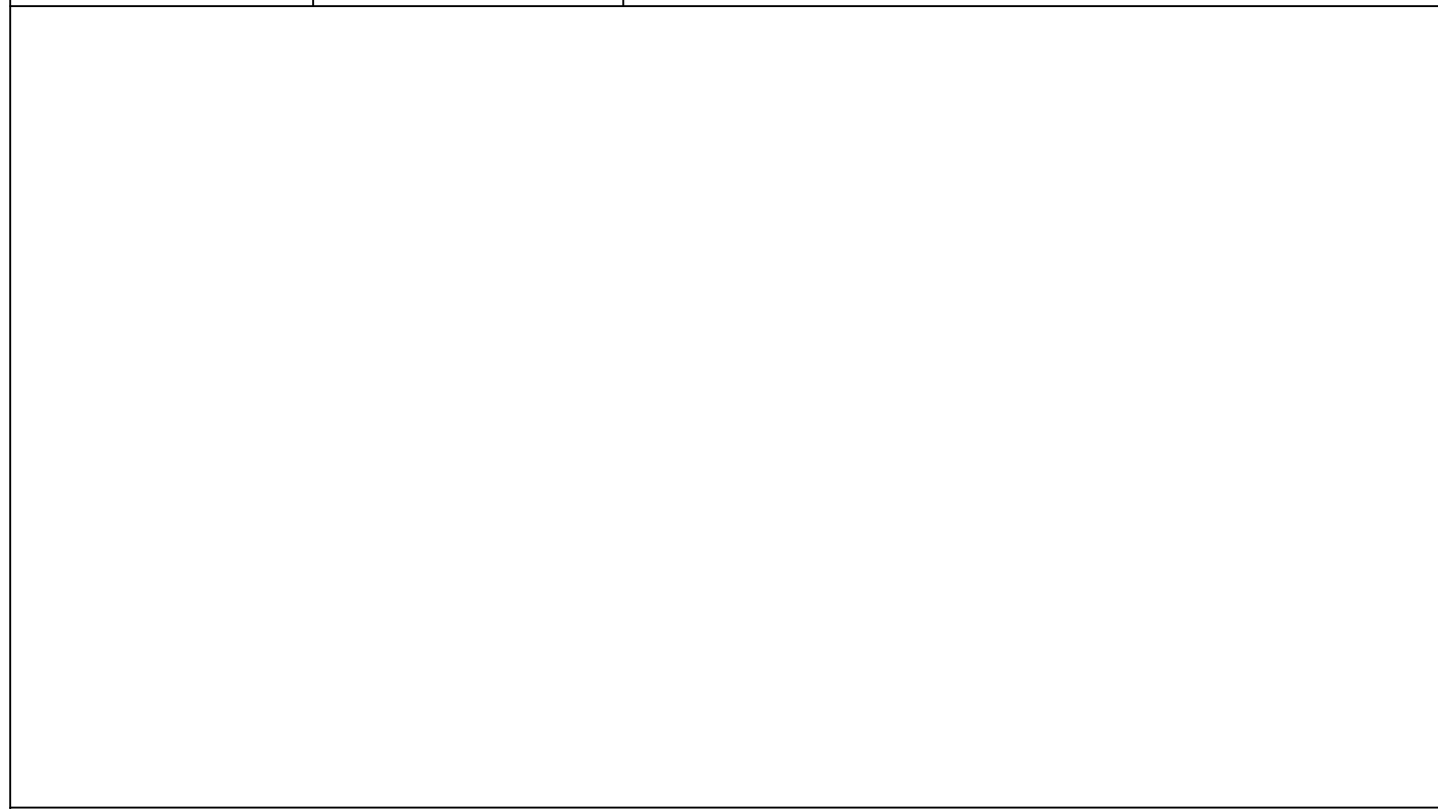
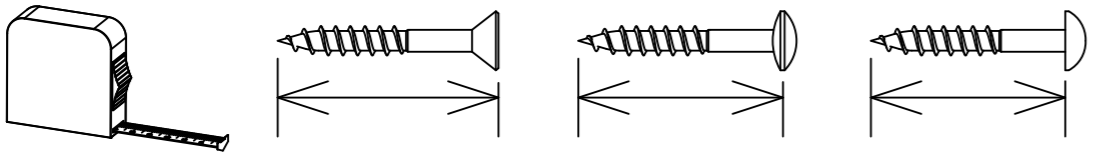


3.

 <p>11</p>	<p>8x 18</p>  <p>8x30</p>	<p>8x 183</p>  <p>23/10x7,5/6,5</p>	<p>16x 227</p>  <p>6x10,5</p>
---	--	---	--

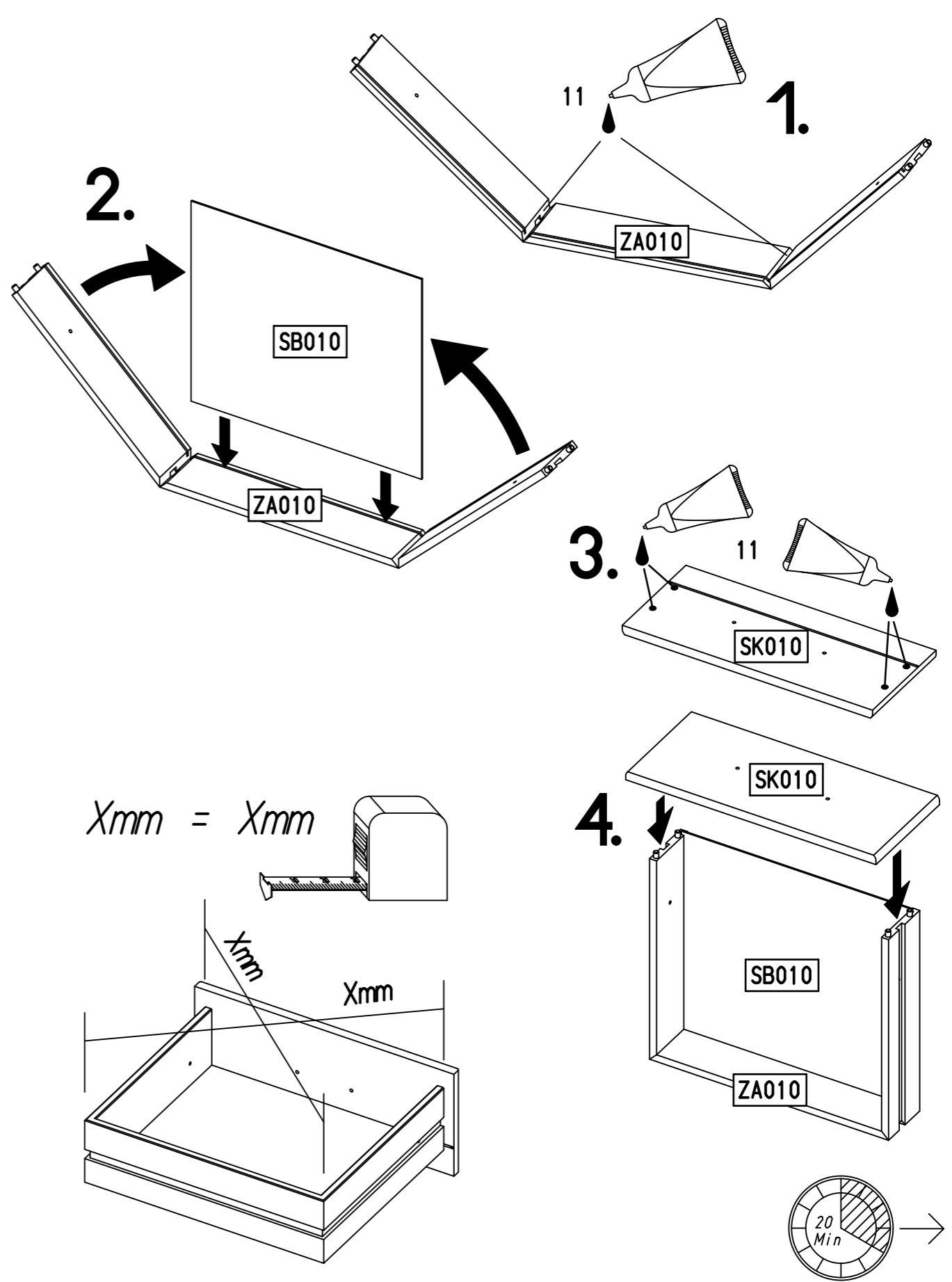
<p>8x 251</p>  <p>328x17x9,5</p>	<p>8x 349</p> 
---	---

<p>8x 568</p>  <p>M4x9</p>	<p>4x 45</p> 
---	---

4.

<p>1</p>	<p>11</p> 		
----------	--	--	--



1. Apply glue (11) to ZA010.

2. Install panel SB010.

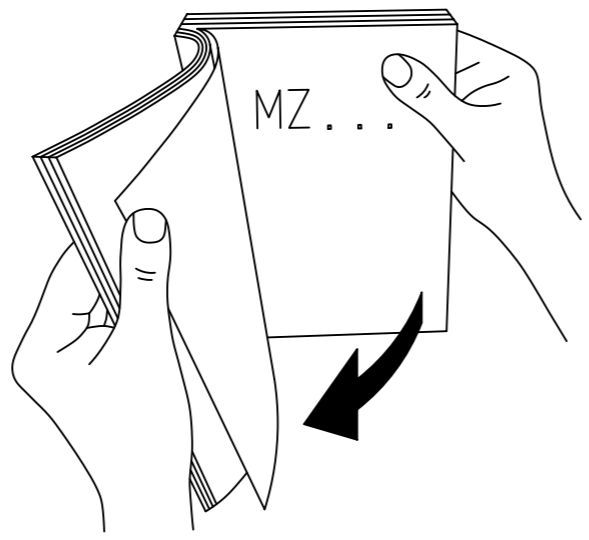
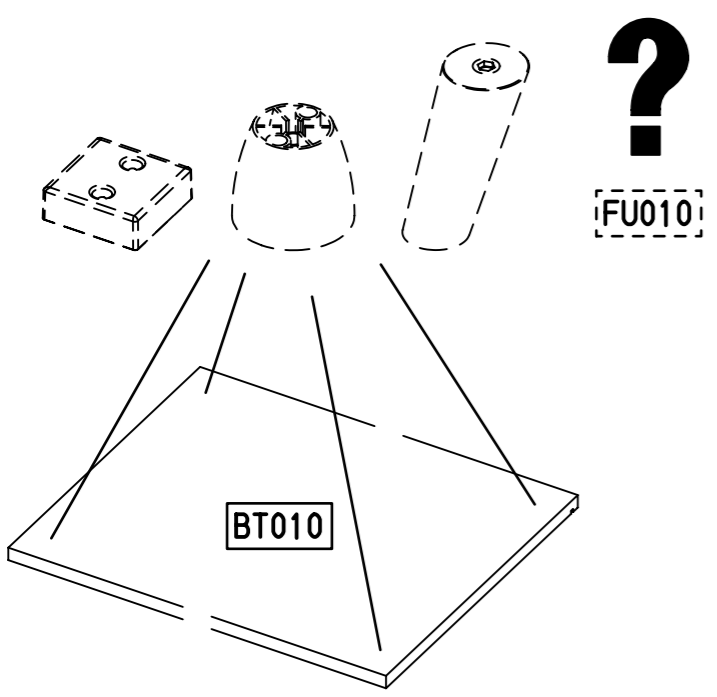
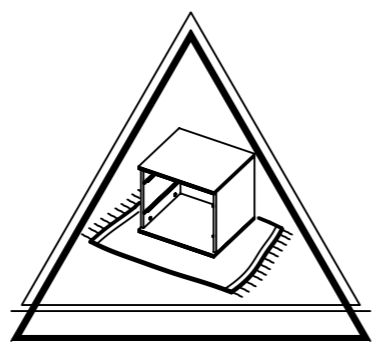
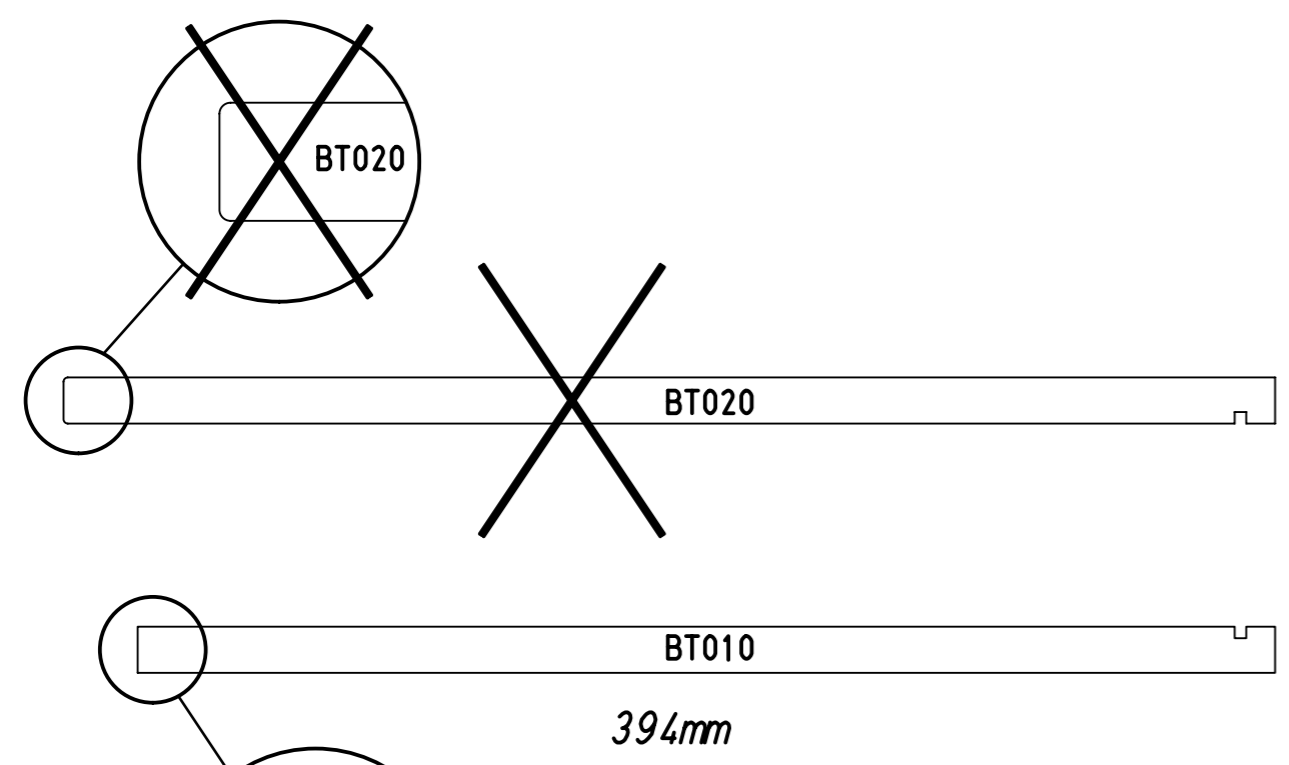
3. Apply glue (11) to SK010.

4. Final assembly.

$Xmm = Xmm$

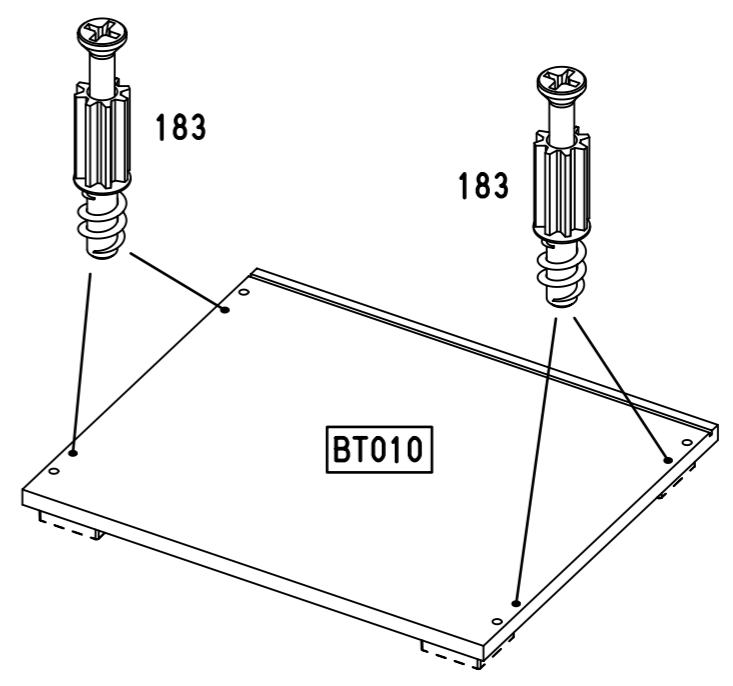
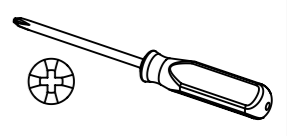
20 Min

2



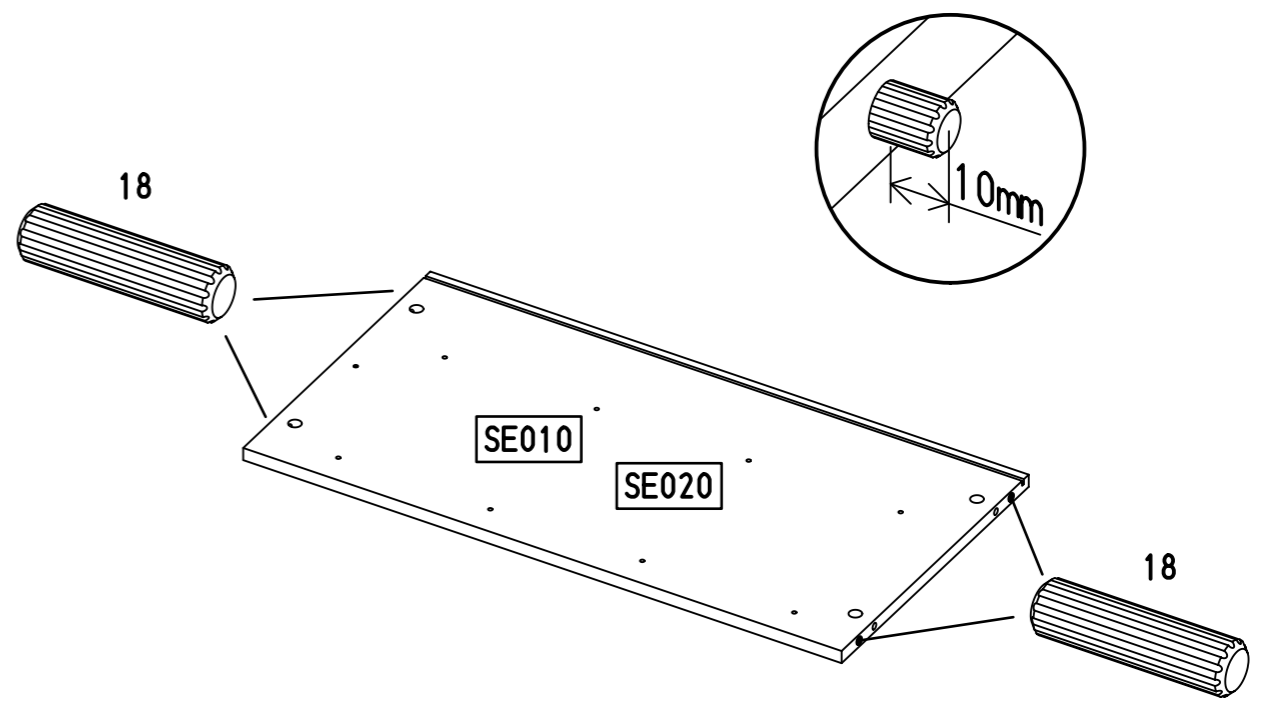
3

**4x** **183**  
23/10x7,5/6,5



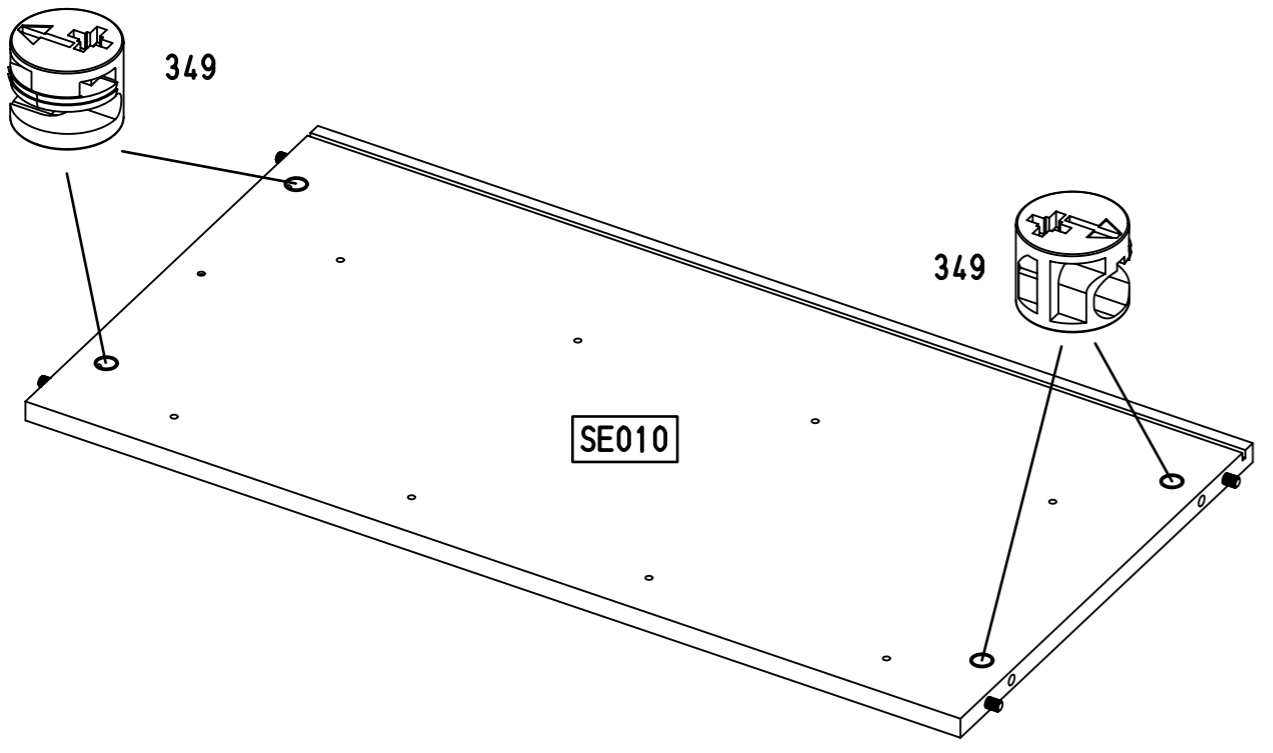
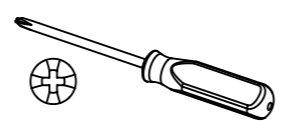
4

**8x** **18**  
8x30

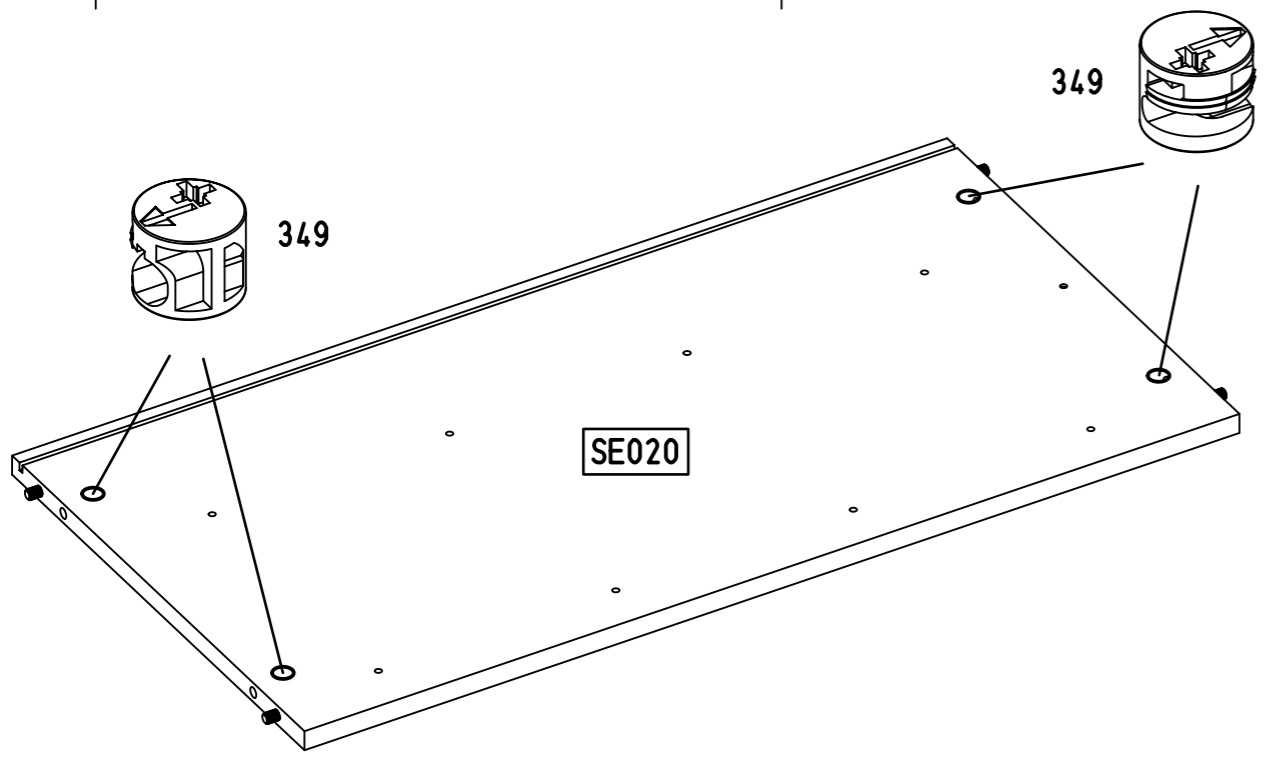
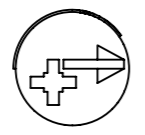
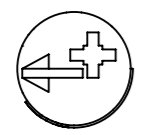


5

8x 349



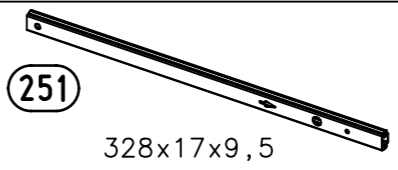
SE010



SE020

6

4x 251

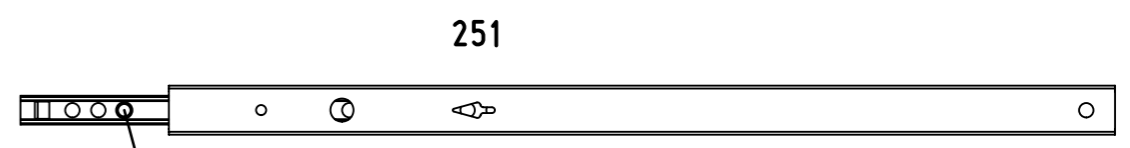
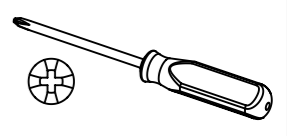


328x17x9,5

8x 227

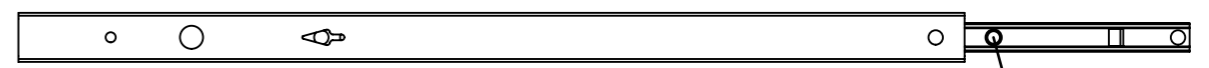


6x10,5



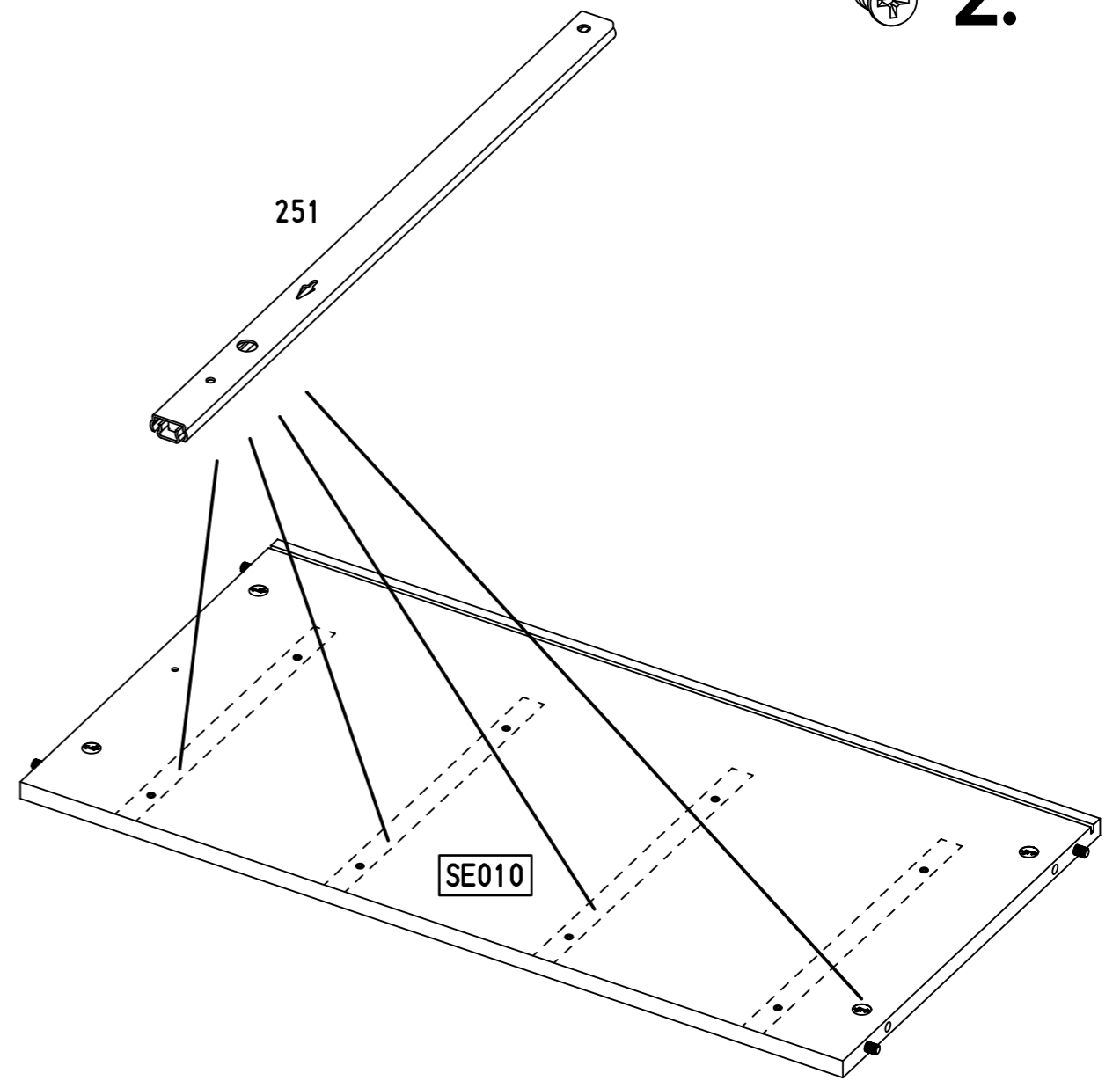
1.

227



227

2.

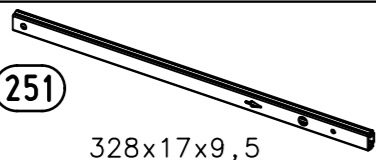


251

SE010

7

4x (251)

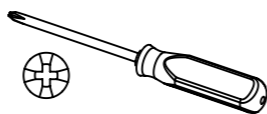


328x17x9,5

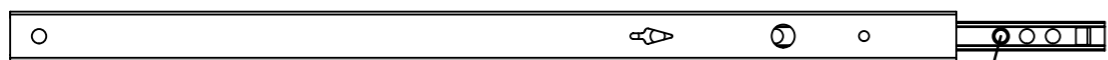
8x (227)



6x10,5



251



227

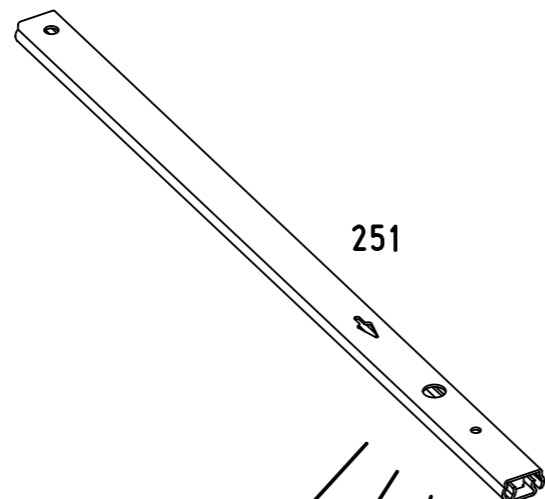
1.

2.

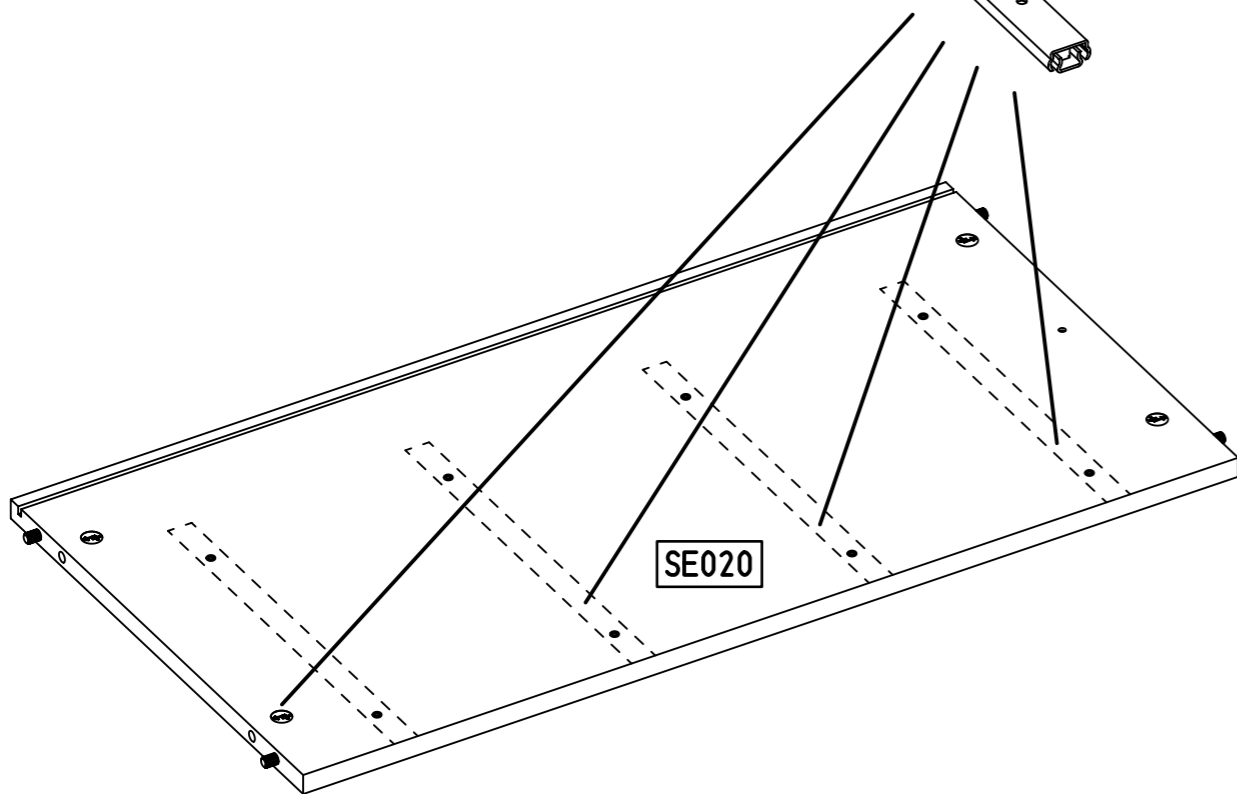


227

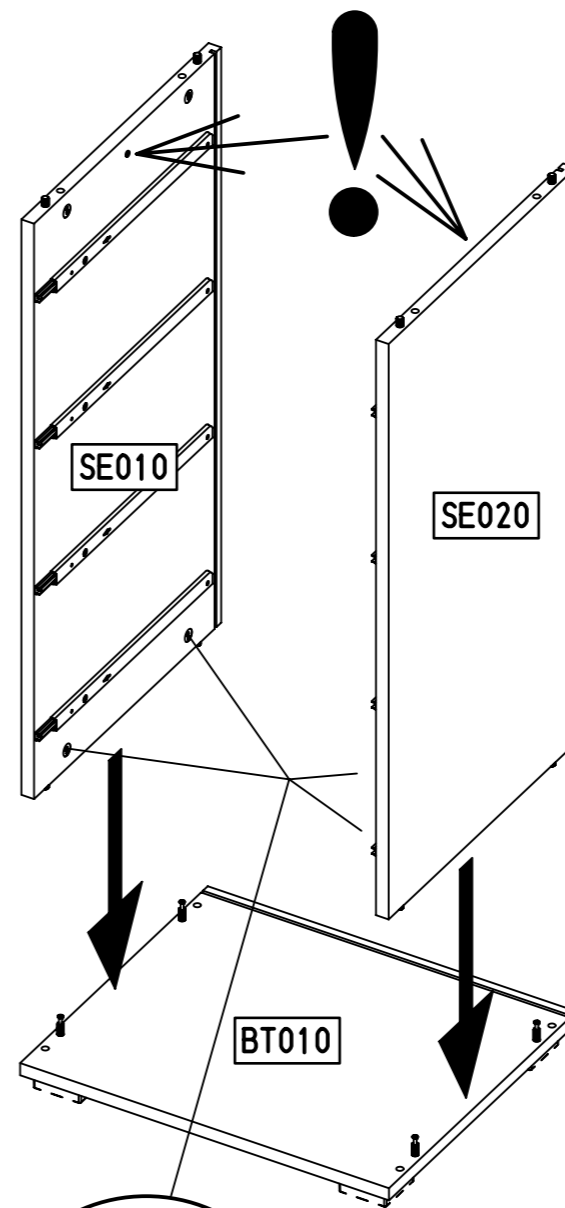
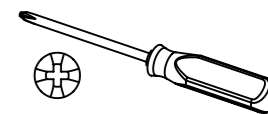
251



SE020



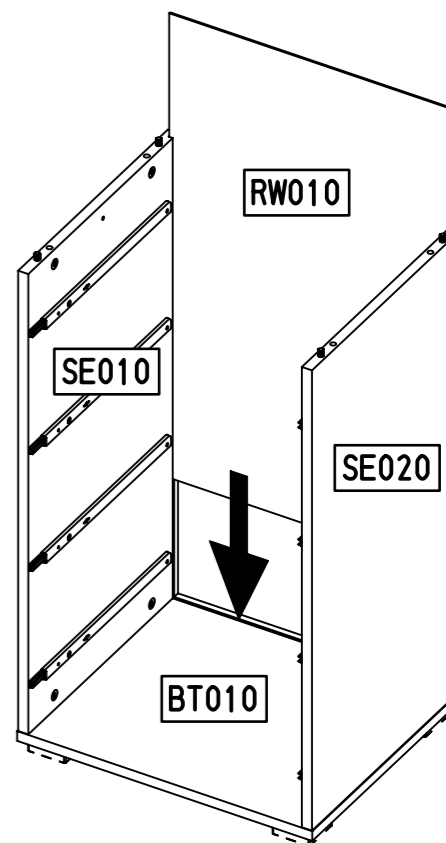
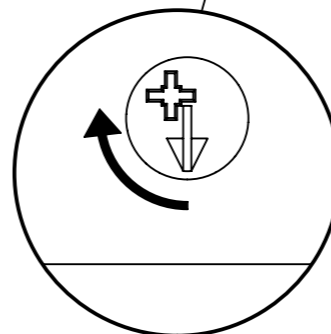
8



SE010

SE020

BT010



RW010

SE010

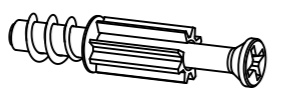
SE020

BT010

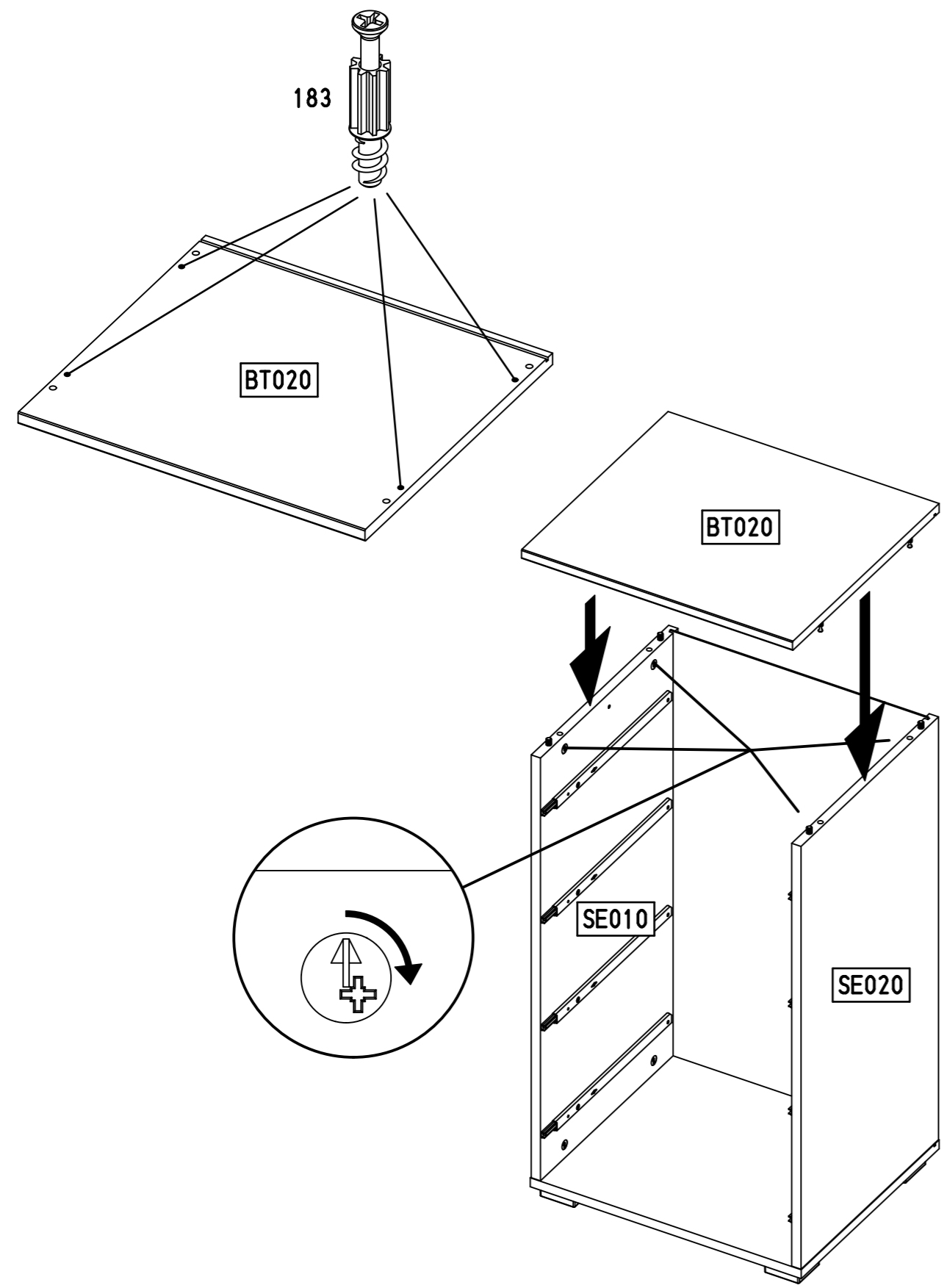
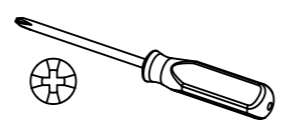
9

4x

183



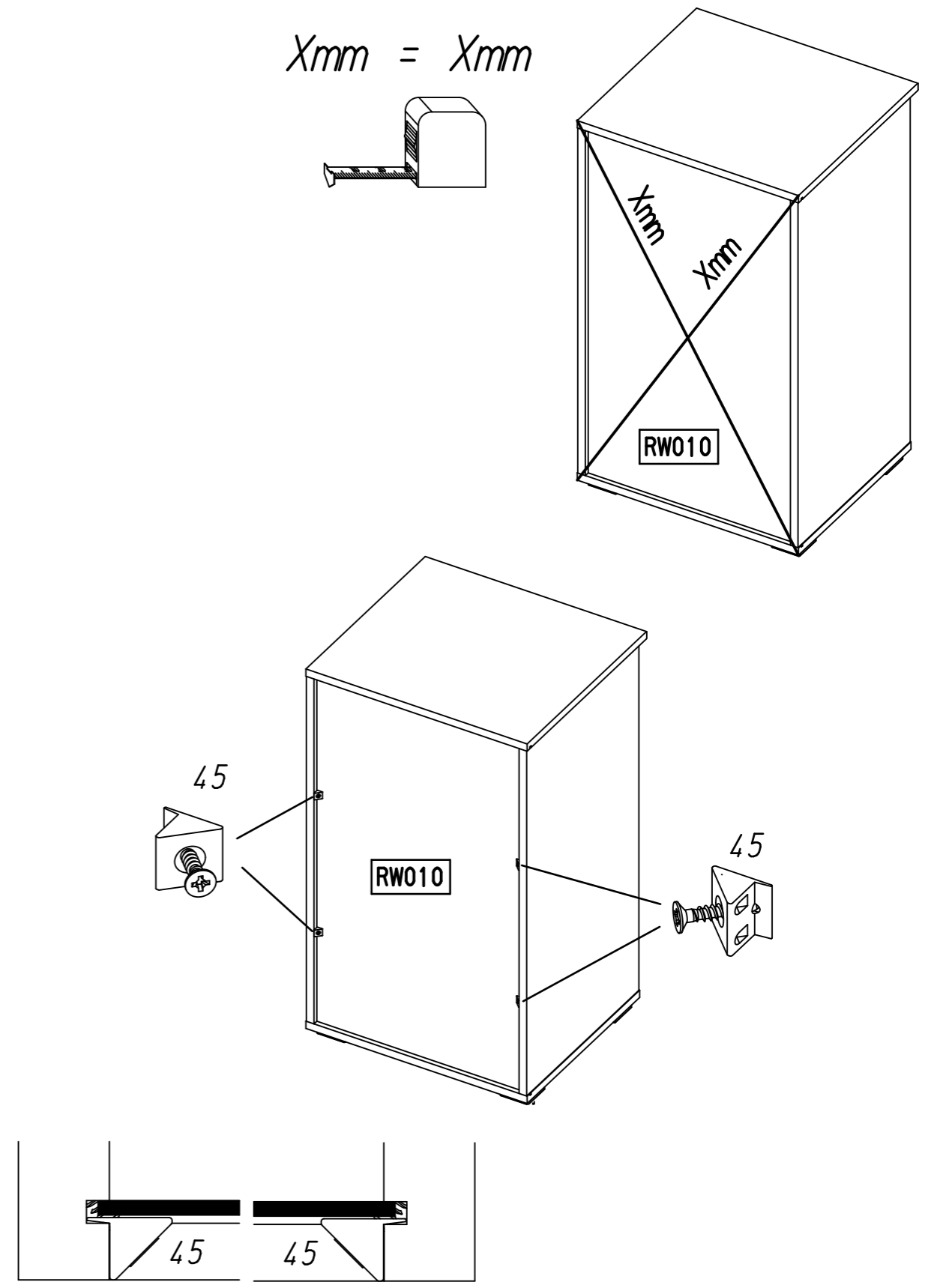
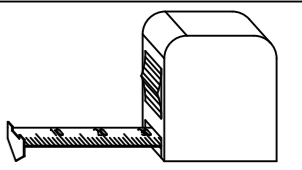
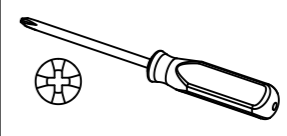
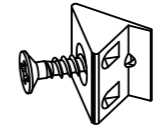
23/10x7,5/6,5



10

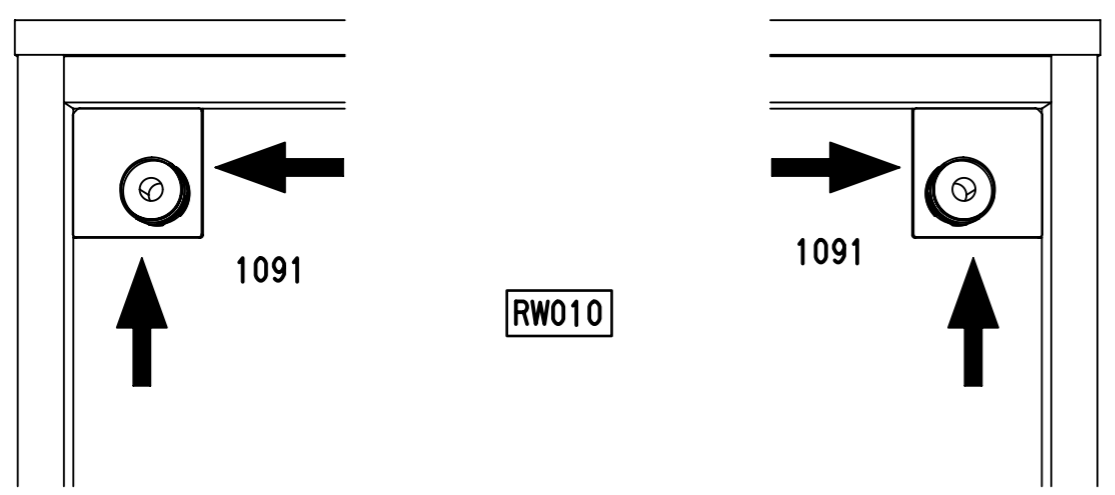
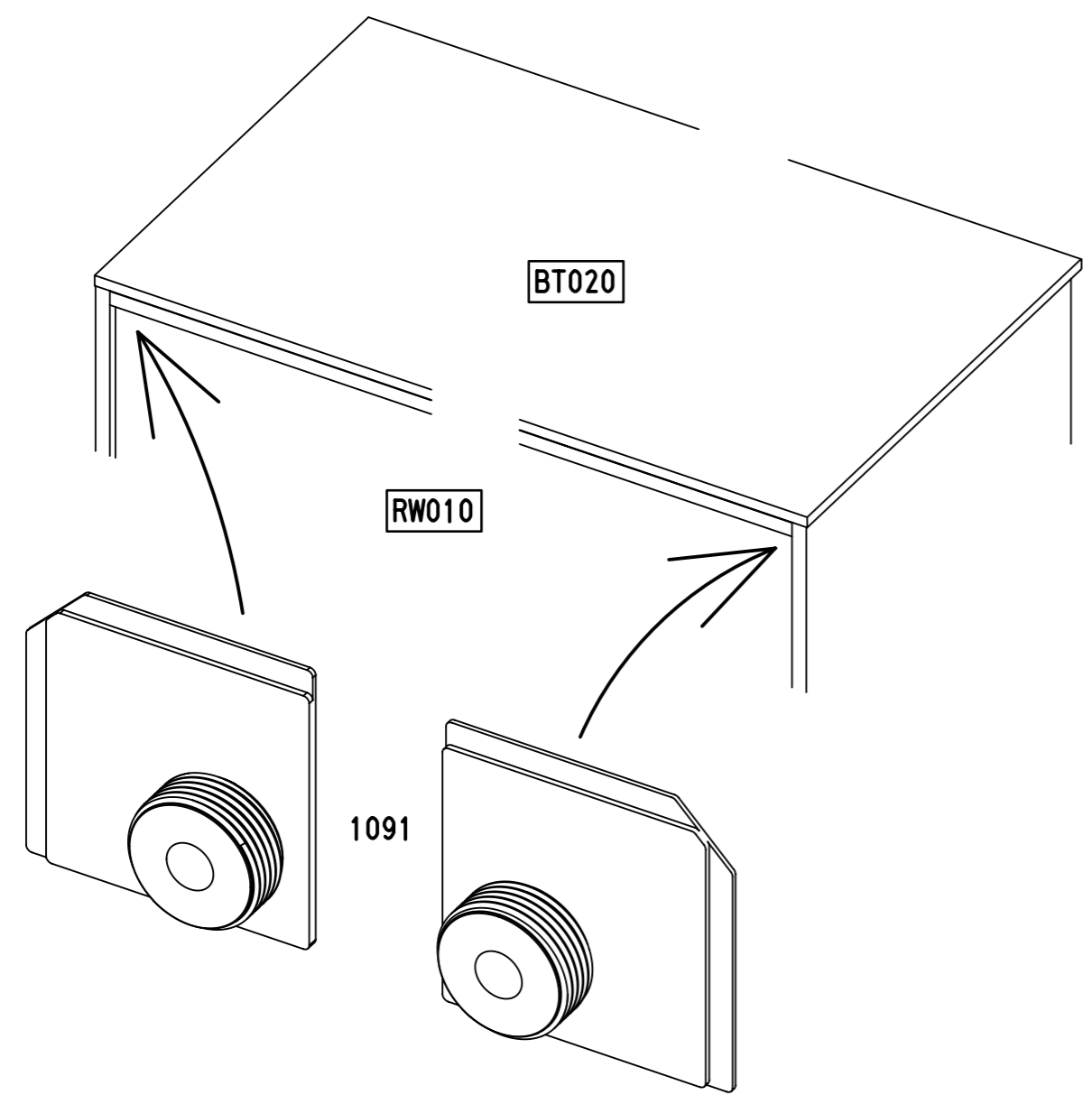
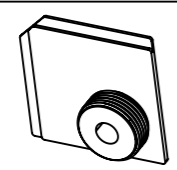
4x

45



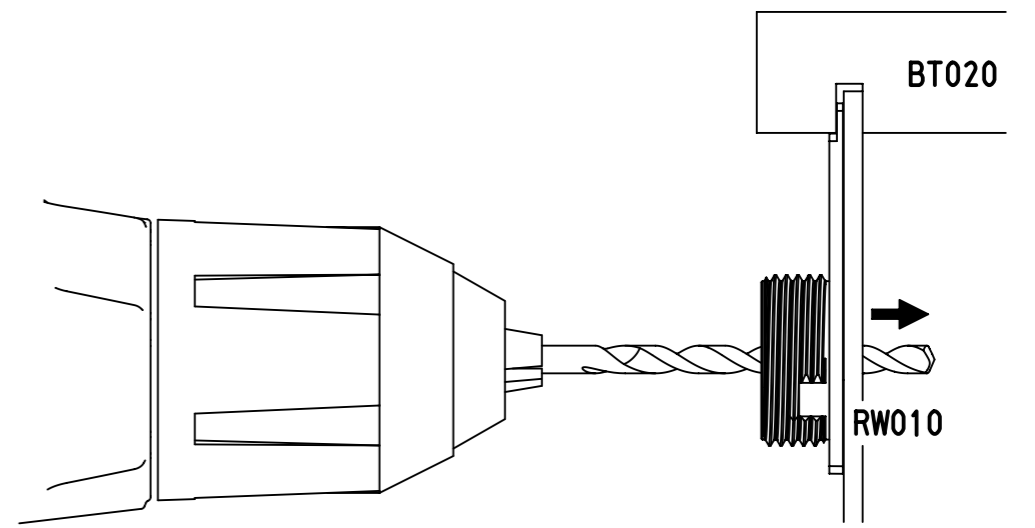
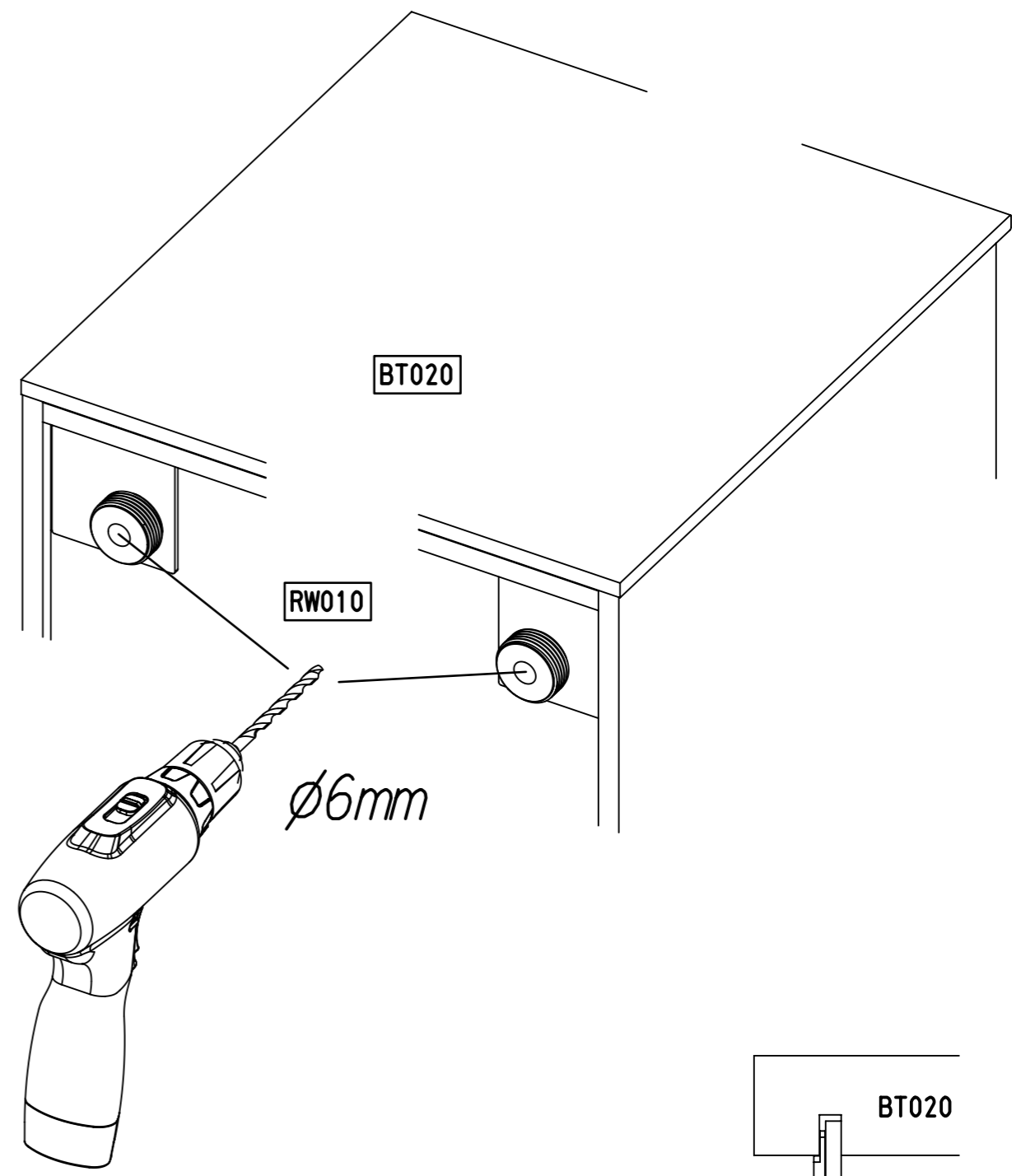
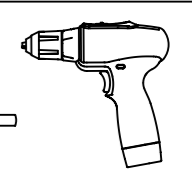
11

2x 1091



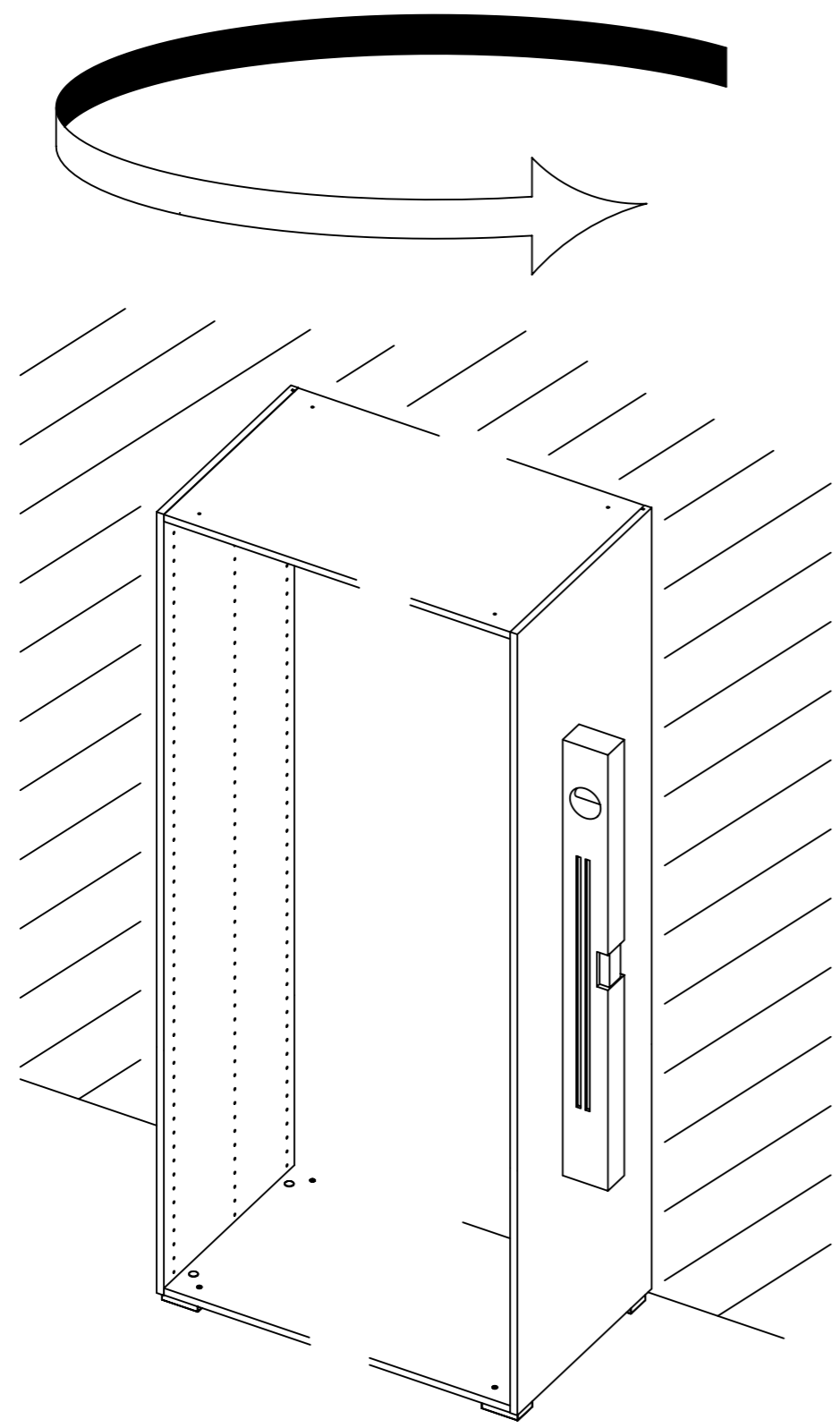
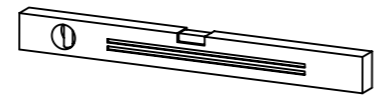
12

∅6mm



15.

13

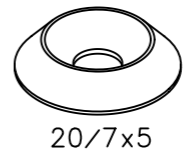


M2091

16.

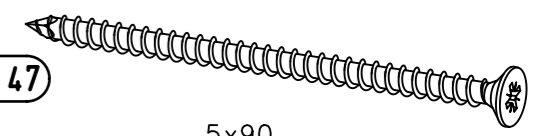
14

2x 1093

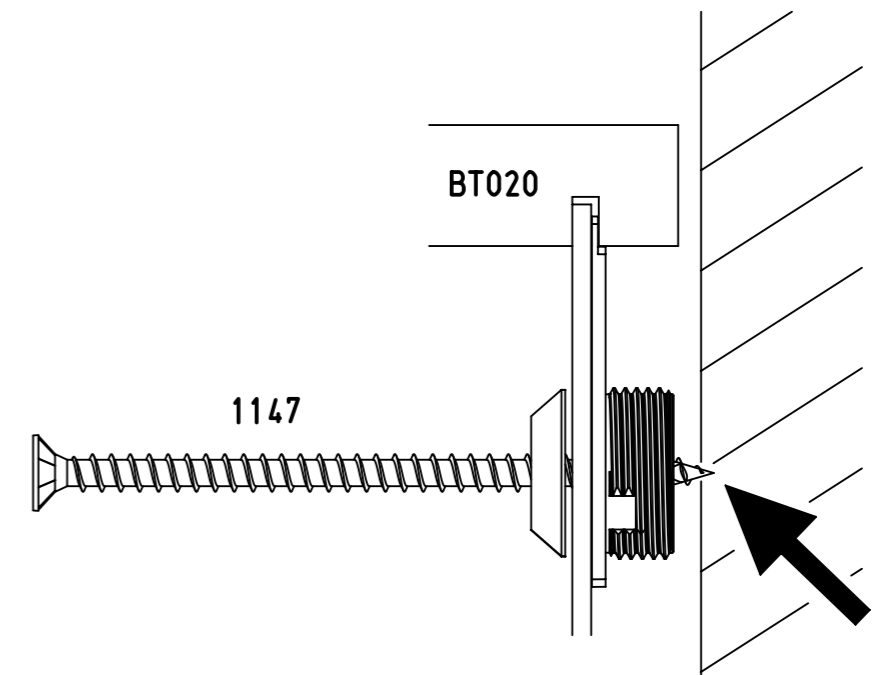
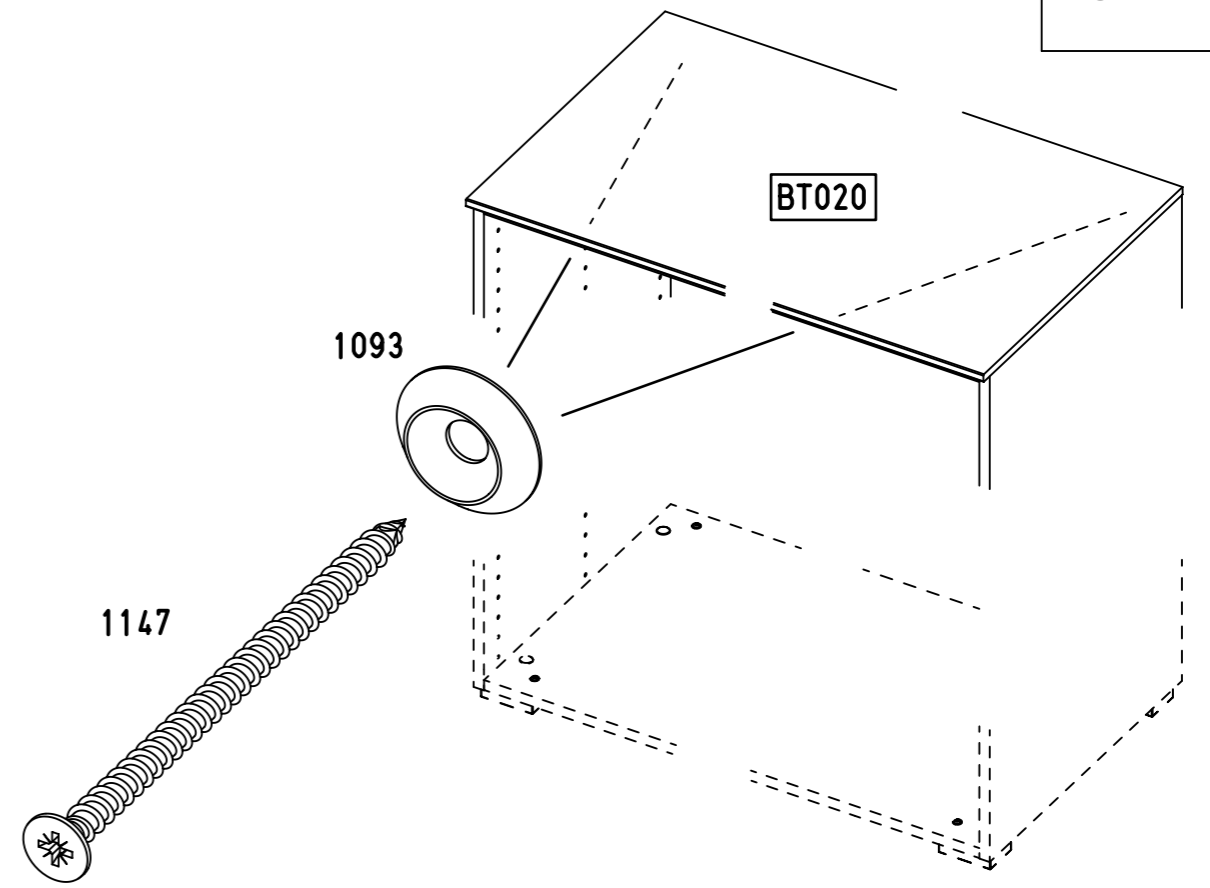
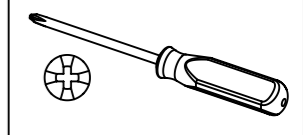


20/7x5

2x 1147



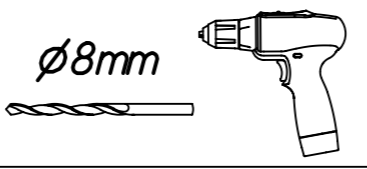
5x90



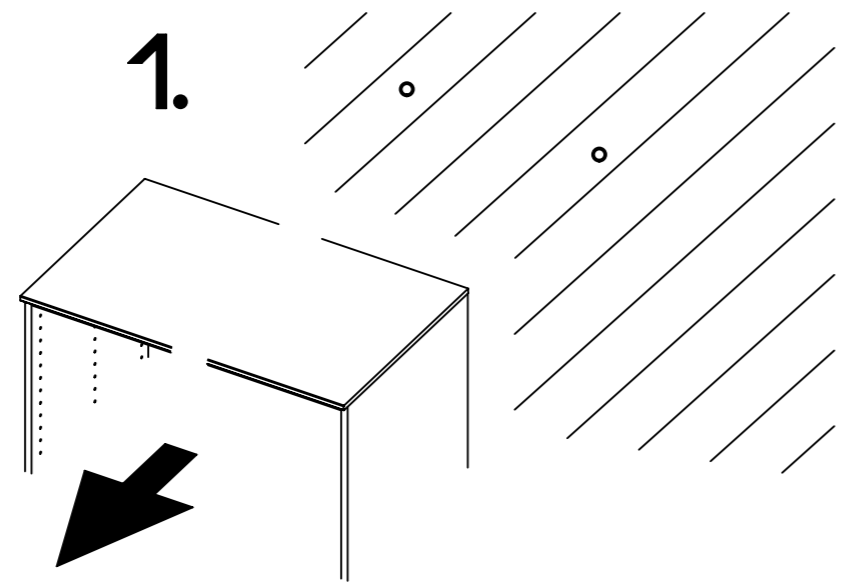
M2091



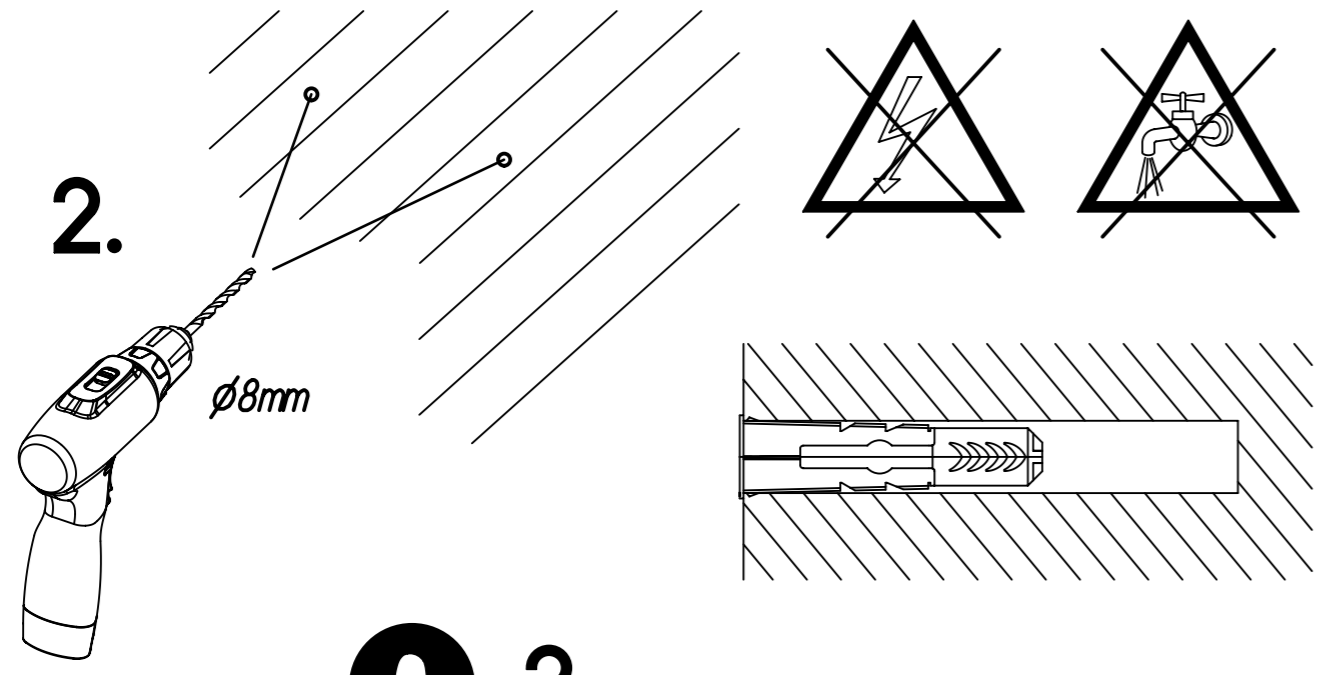
15



1.

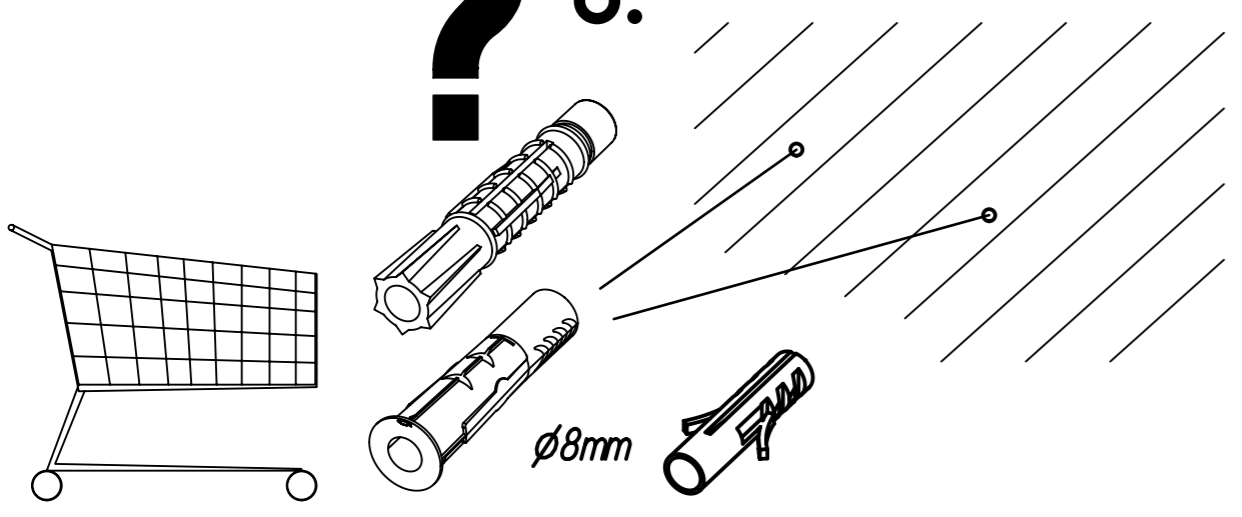


2.

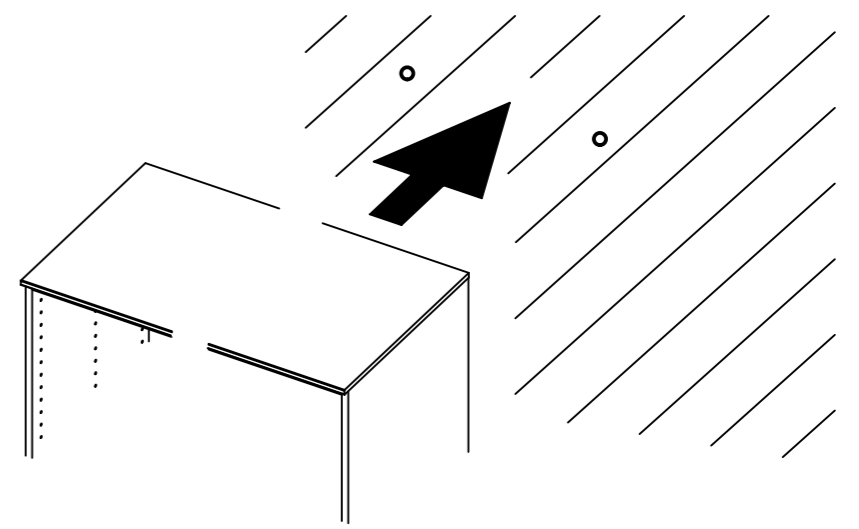
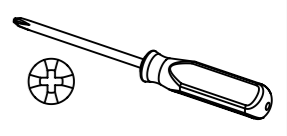


?

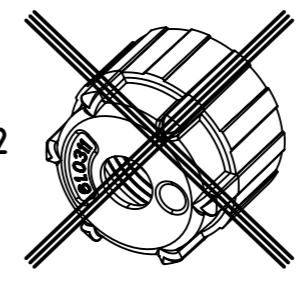
3.



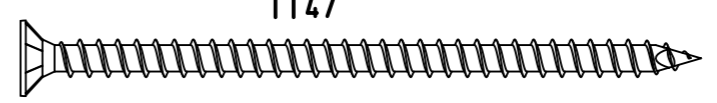
16



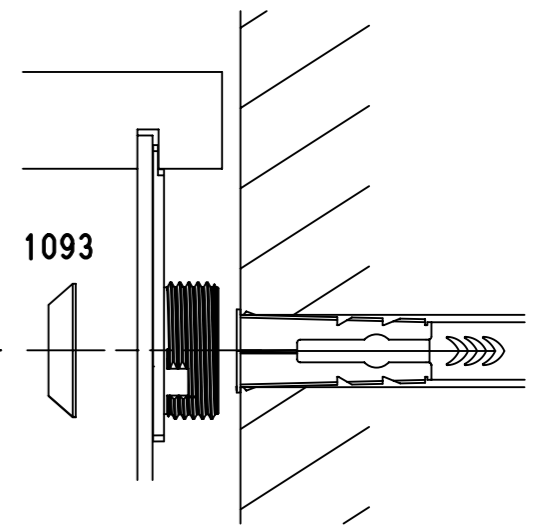
1092



1147



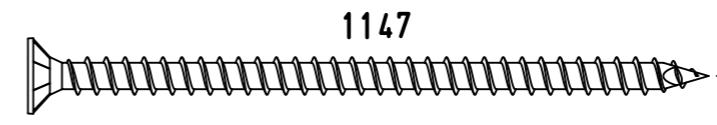
1093



10-15mm

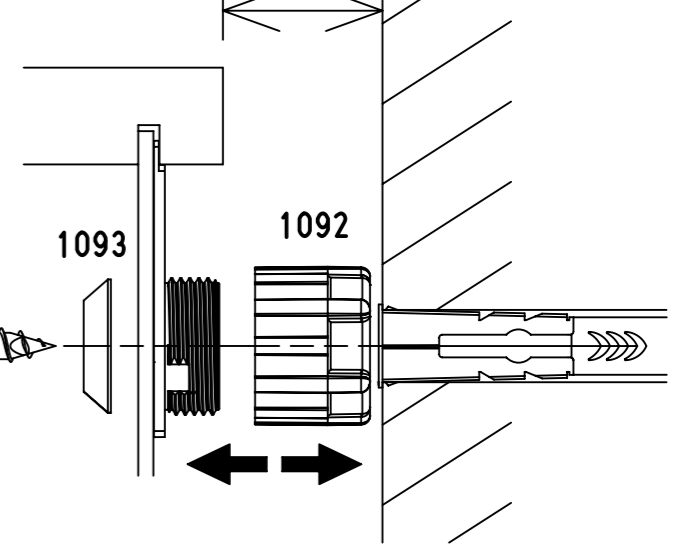


1147



1093

1092



17

8x 568



M4x9

