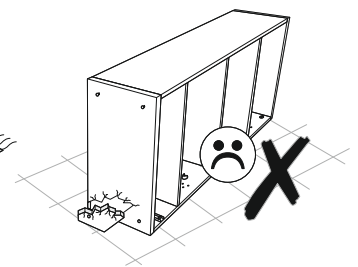
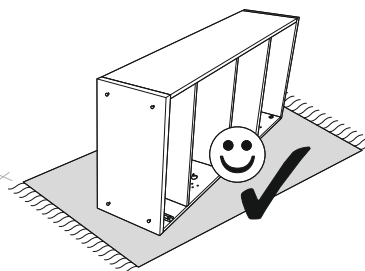
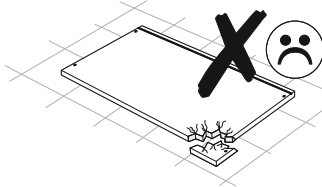
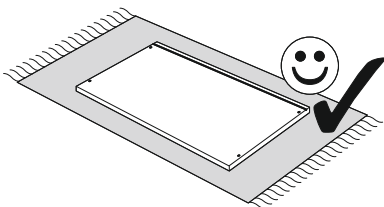
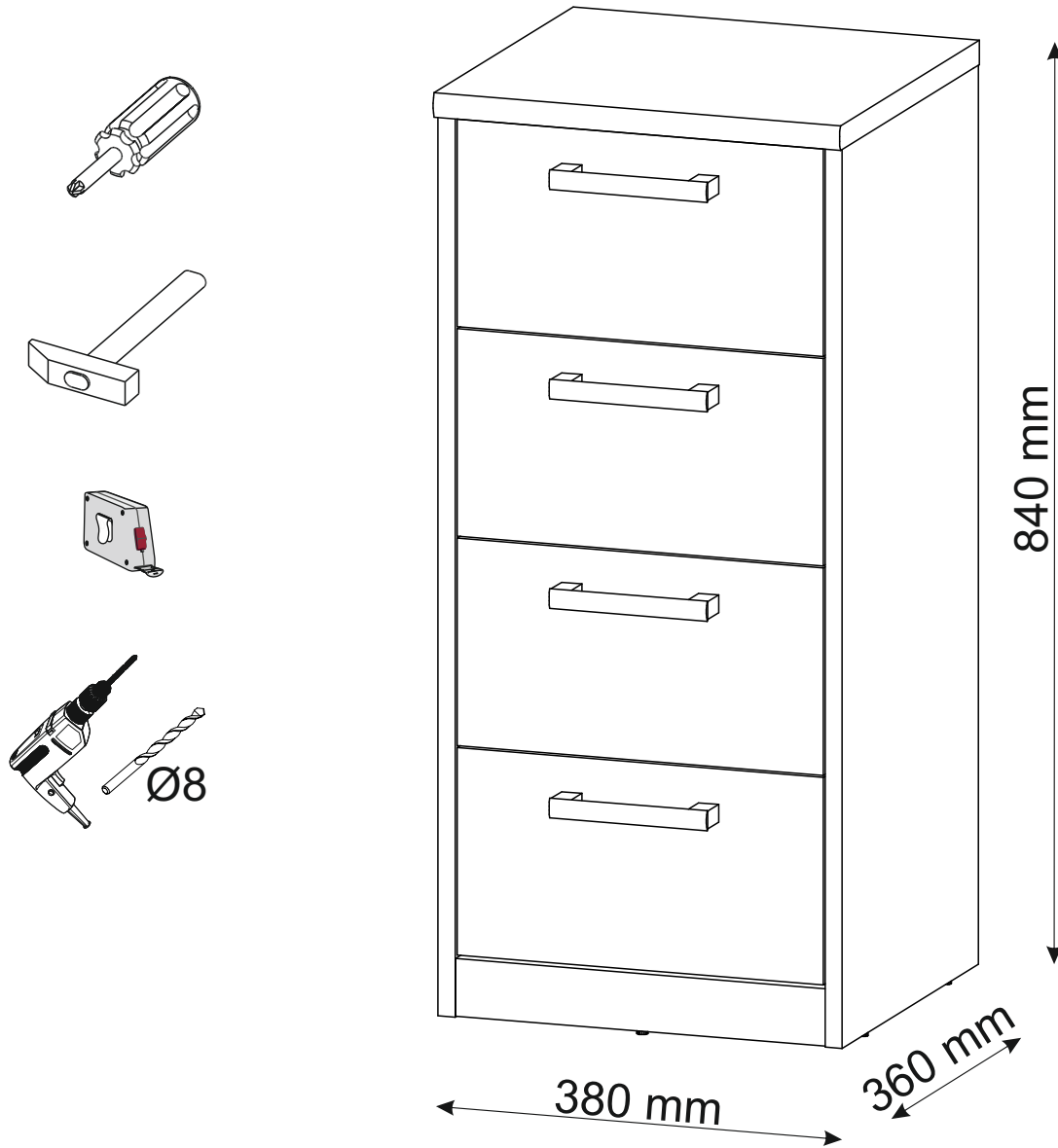
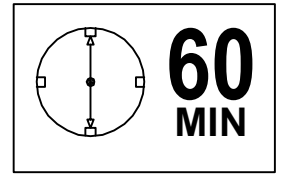
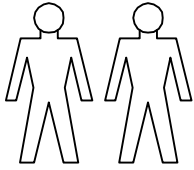

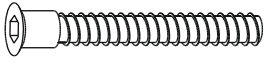







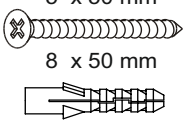
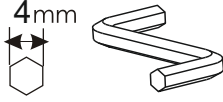
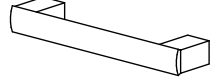
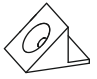


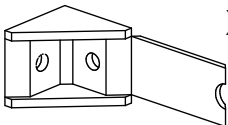
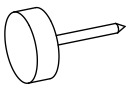


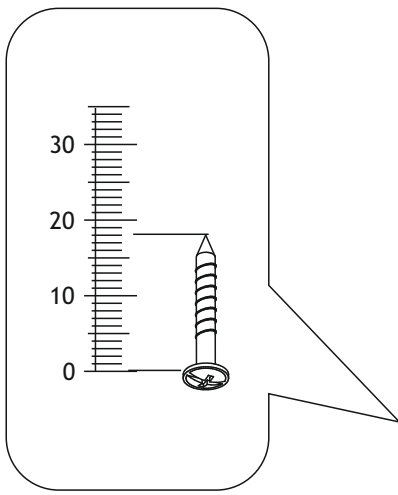
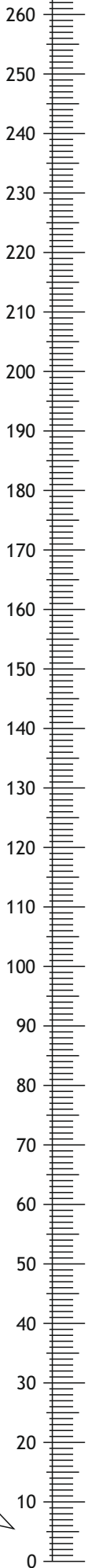
EASY TYP 102



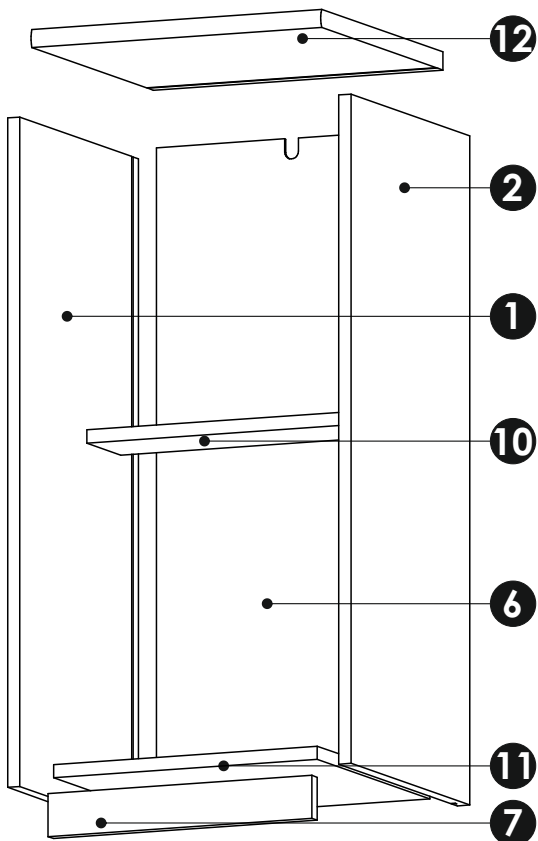
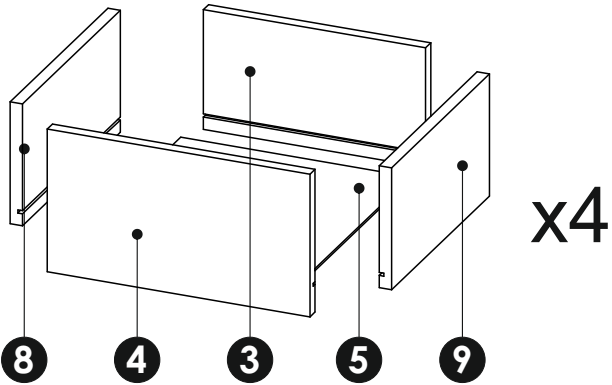
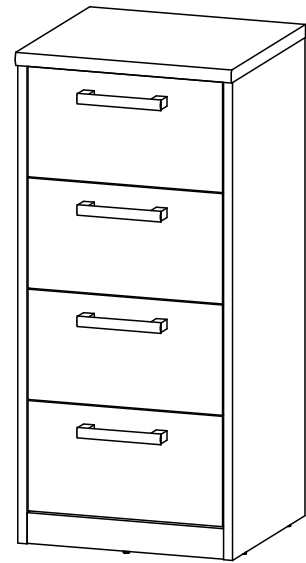
EASY TYP 102


MM

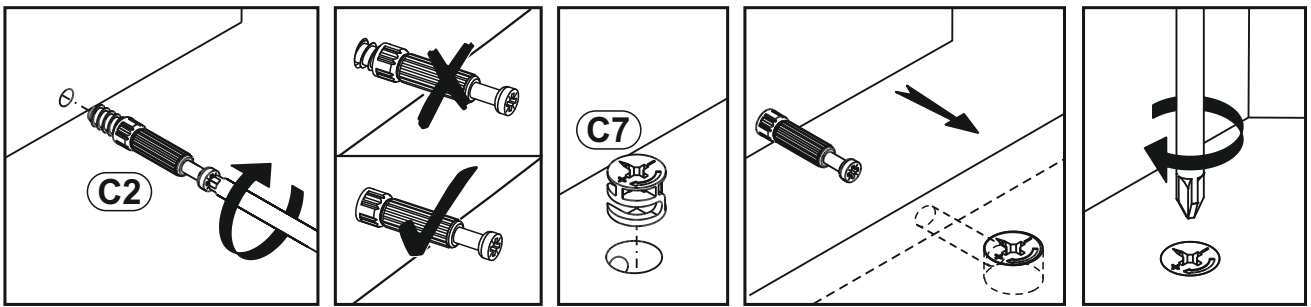
<p>A0 8 x 30mm x44</p> 	<p>B1 f 7 x 50 mm x16</p> 	<p>C0 x16</p> 
<p>C2 x26</p> 	<p>C7 x26</p> <p>16mm</p> 	<p>D0 3 x 15 mm x33</p> 
<p>D5 3,5 x 16 mm x32</p> 	<p>D16 4,2 x 28 mm x8</p> 	<p>D21 5 x 13 mm x25</p> 
<p>E0 5 x 50 mm x1 8 x 50 mm</p> 	<p>K 4mm x1</p> 	<p>L5 x4</p> 
<p>M1 x25</p> 	<p>N1 L-300 x4</p> 	<p>P0 x1</p> 
<p>P20 x4</p> 	<p>T3 x5</p> 	





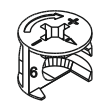



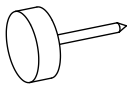
EASY TYP 102

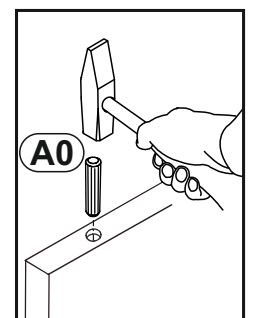
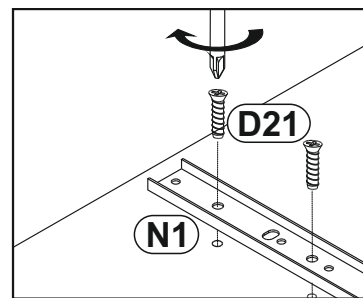
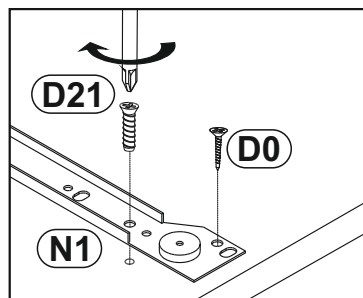
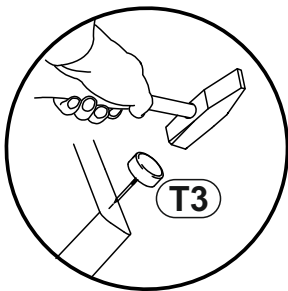
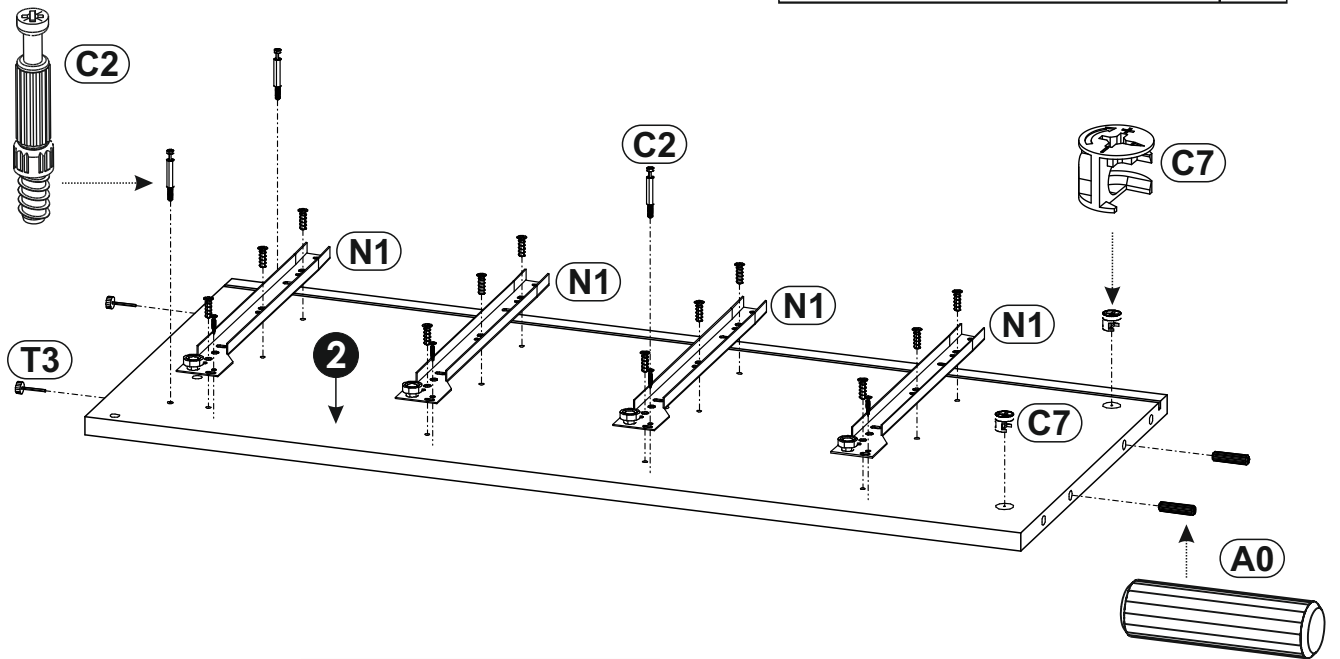
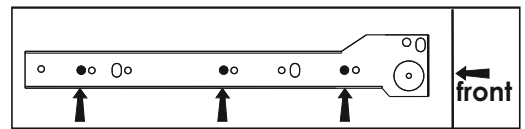


1	812	350	16	x1	1/1
2	812	350	16	x1	1/1
3	289	157	16	x4	1/1
4	342	187	16	x4	1/1
5	299	294	2,8	x4	1/1
6	760	356	2,8	x1	1/1
7	346	52	16	x1	1/1
8	300	160	16	x4	1/1
9	300	160	16	x4	1/1
10	346	100	16	x1	1/1
11	346	332	16	x1	1/1
12	380	360	22	x1	1/1
					1/1







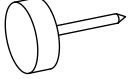
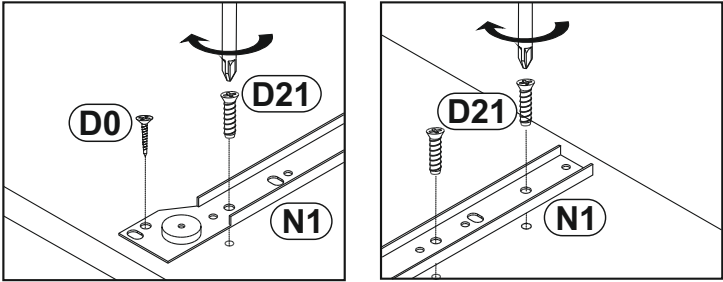


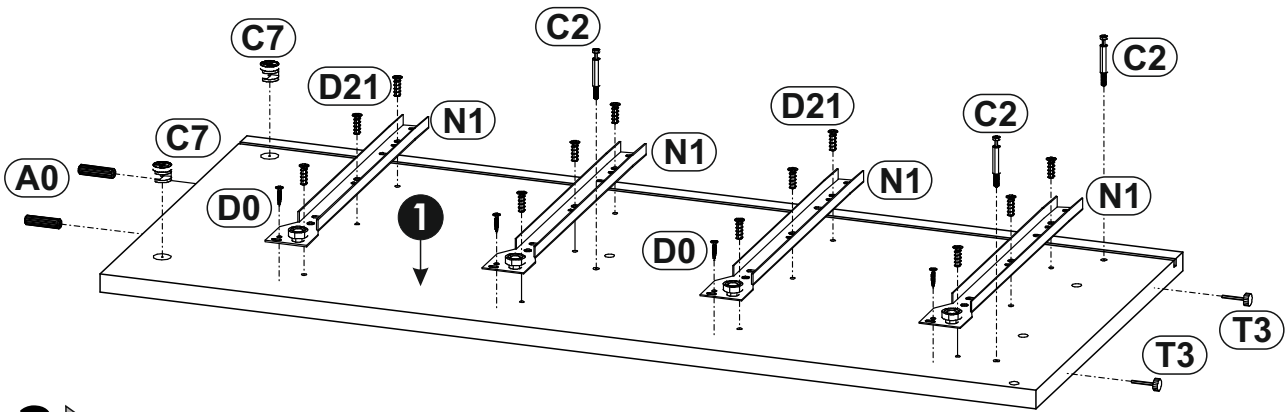
1 ▶

A0 8 x 30mm x2 	C2 x3 	C7 x2 16mm 
D0 3 x 15 mm x4 	D21 5 x 13 mm x12 	N1 L-300 x4 
T3 x2 		



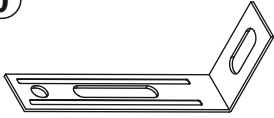


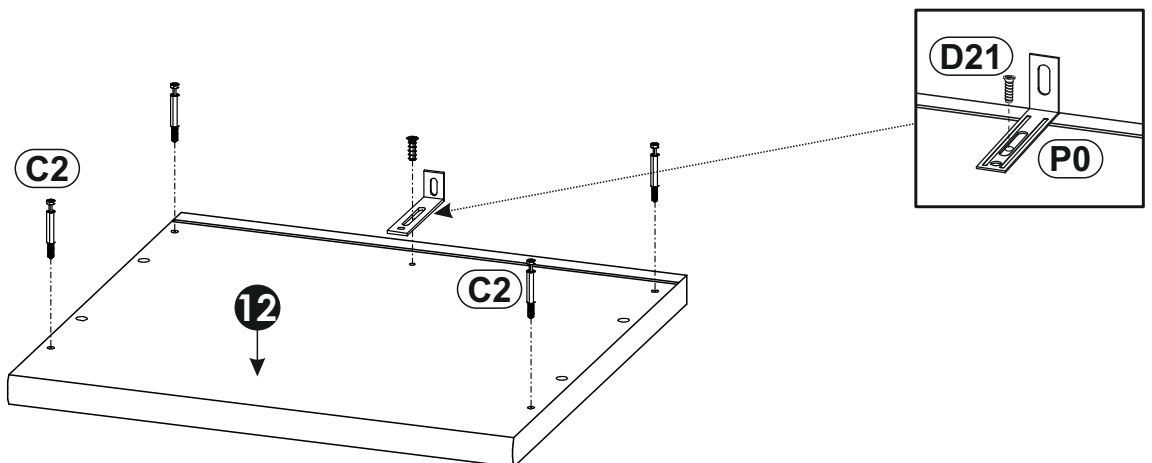
2 ▶

A0 8 x 30mm x2 	C2 x3 	C7 x2 16mm 
D0 3 x 15 mm x4 	D21 5 x 13 mm x12 	N1 L-300 x4 
T3 x2 		





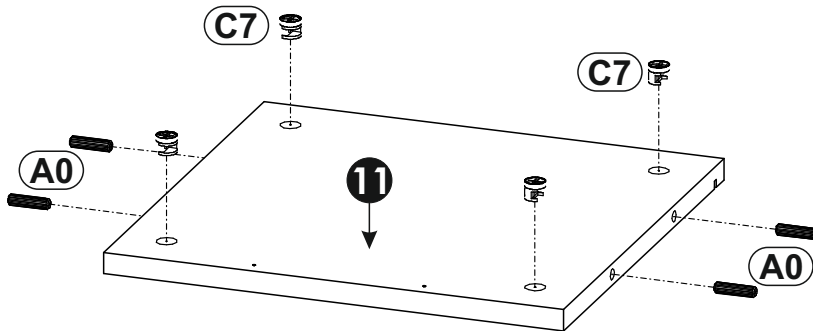
3 ▶

C2 x4 	D21 5 x 13 mm x1 	P0 x1 
--	---	--





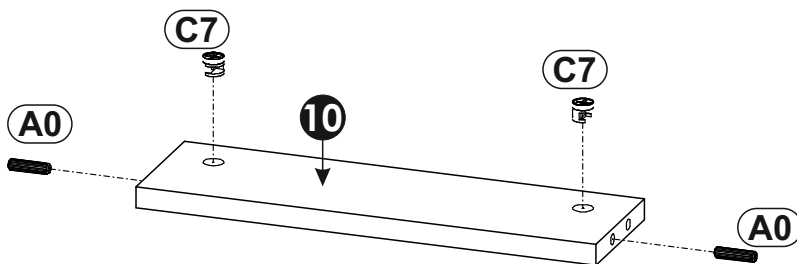
4 ▶

A0	8 x 30mm	x4	C7	16mm	x4
					

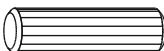
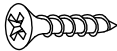
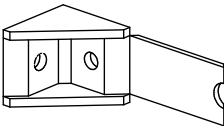
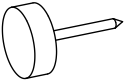


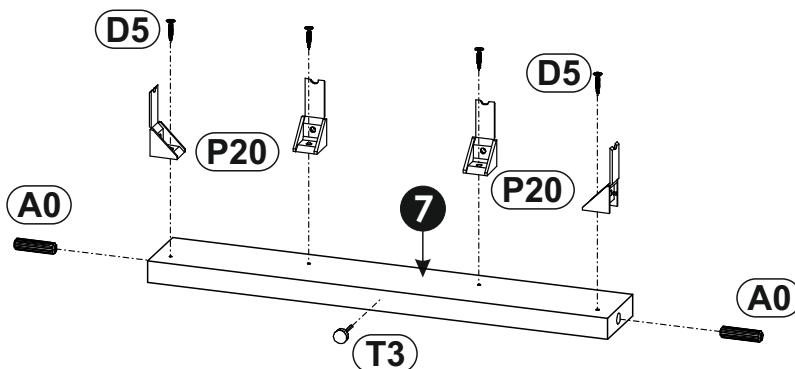
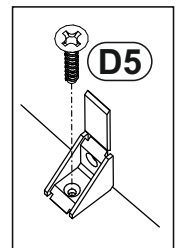
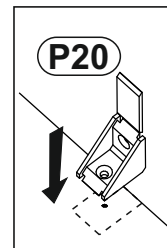
5 ▶

A0	8 x 30mm	x2	C7	16mm	x2
					

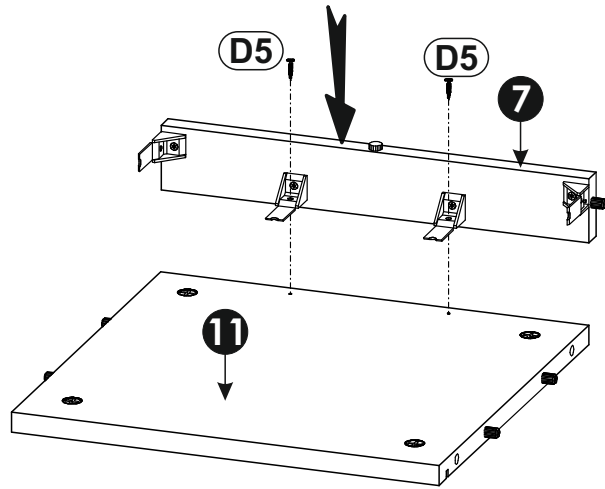
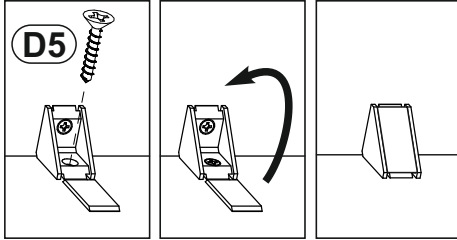
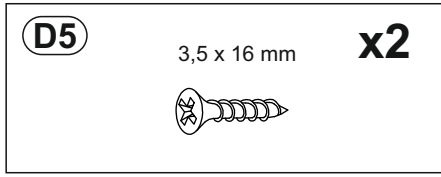


6 ▶

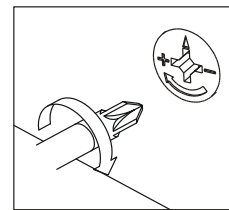
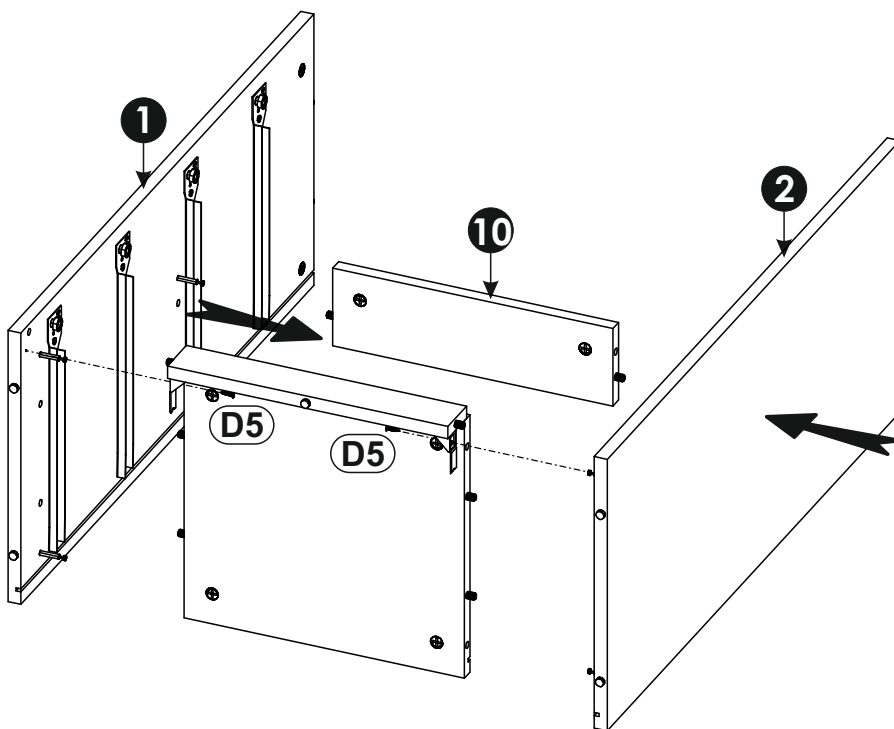
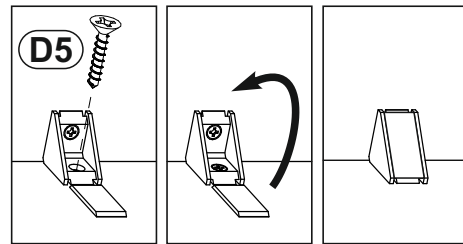
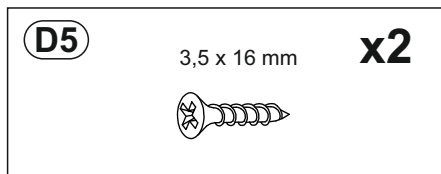
A0	8 x 30mm	x2	D5	3,5 x 16 mm	x4	P20	x4
							
T3		x1					
							



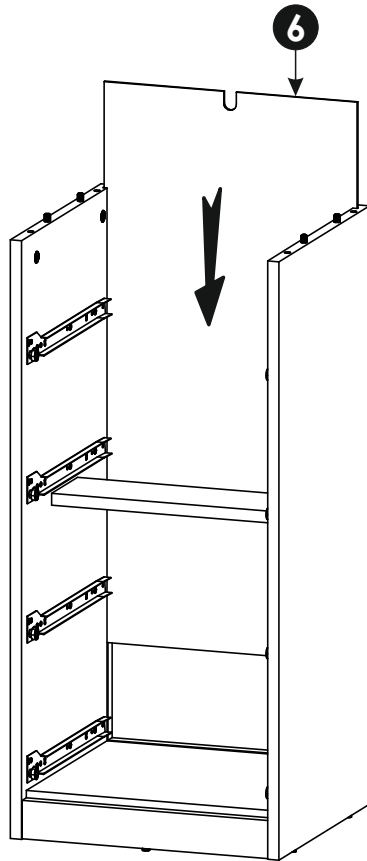
7 ▶



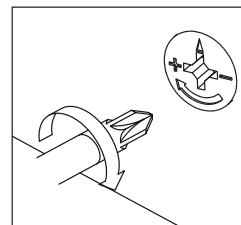
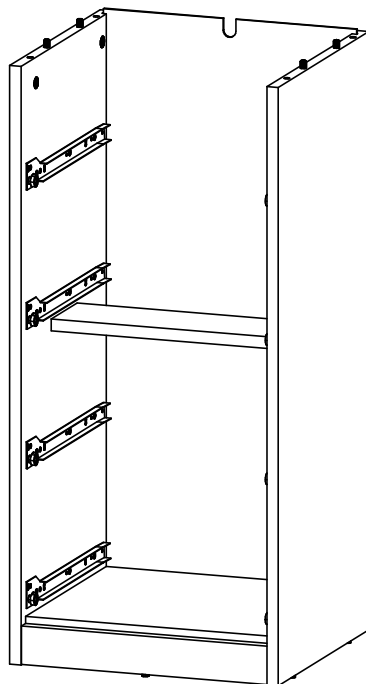
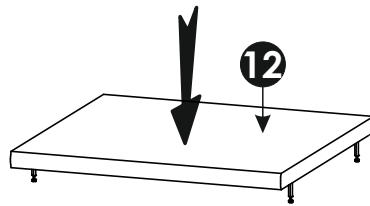
8 ▶




9 ▶

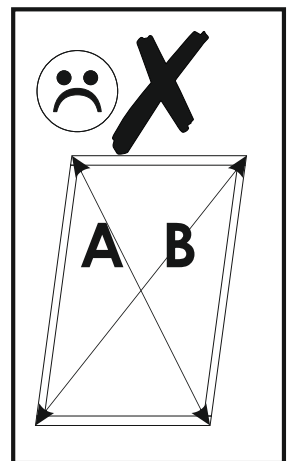
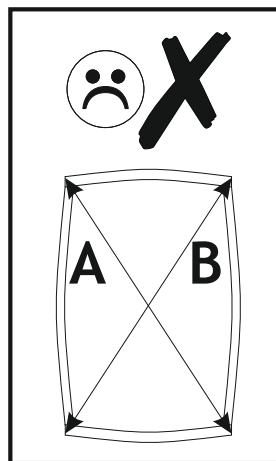
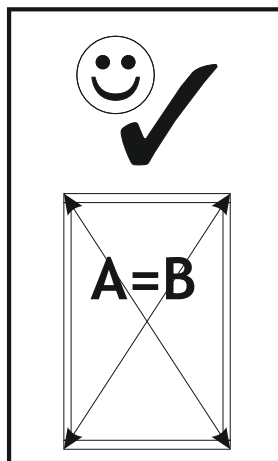
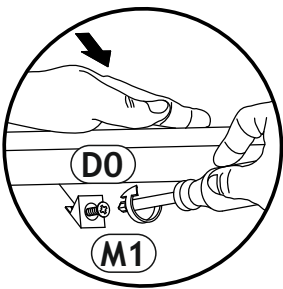
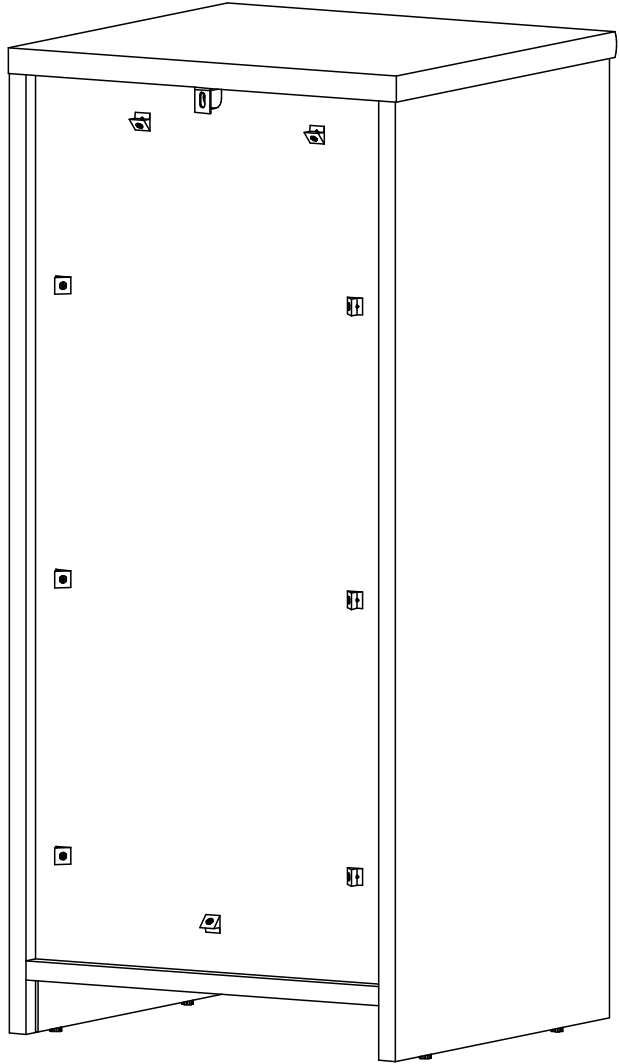
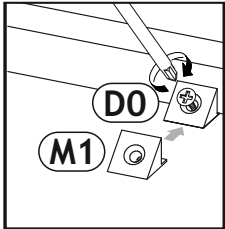


10 ▶



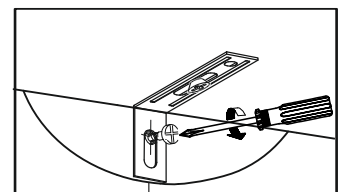
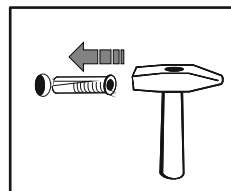
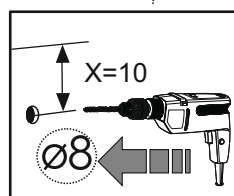
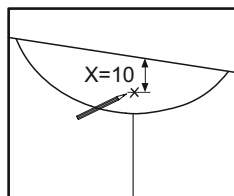
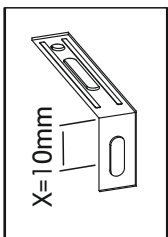
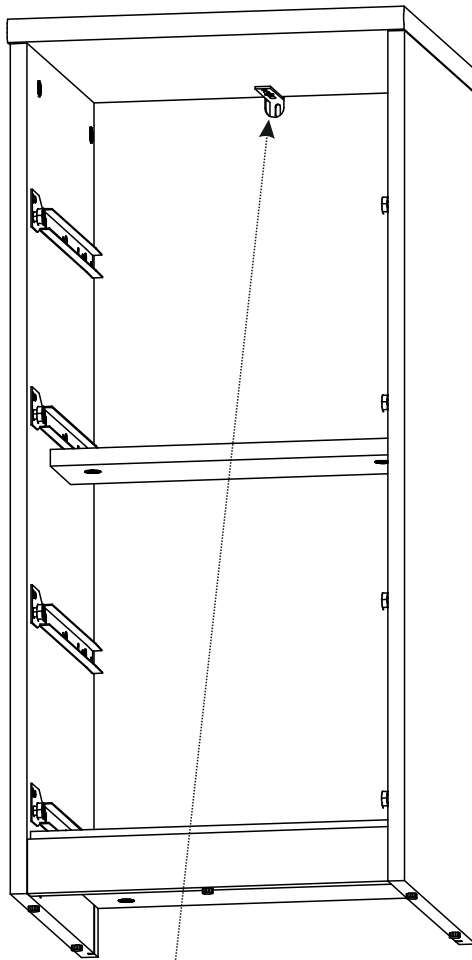
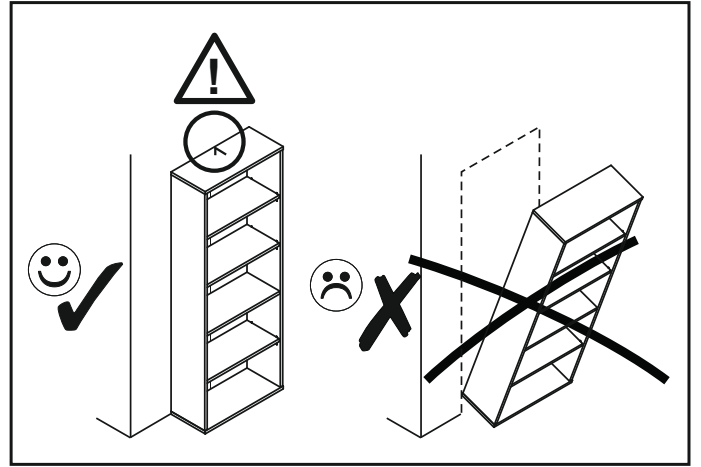
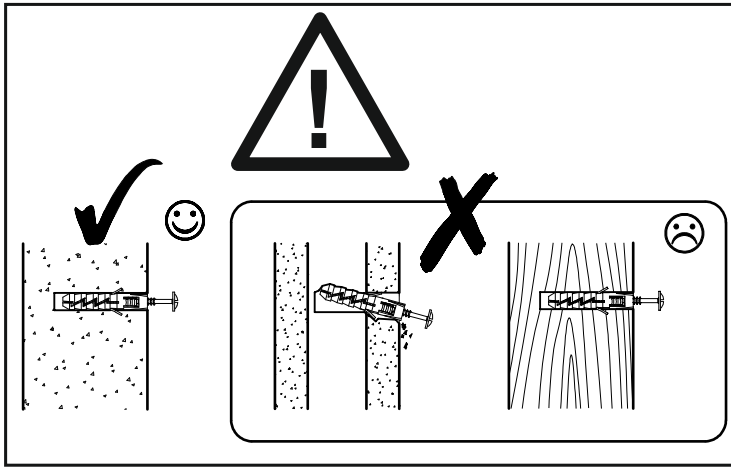
11 ▶

D0	3 x 15 mm	x9
M1		x9

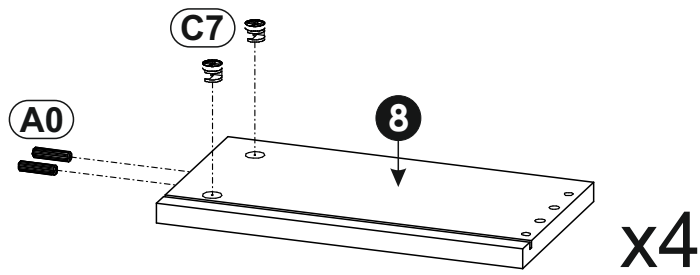


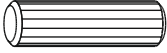

12 ▶

E0 5 x 50 mm **x1**
8 x 50 mm

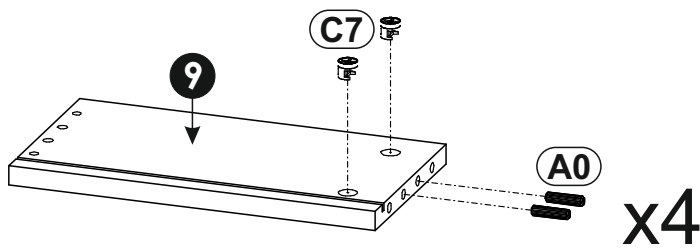




13 ▶



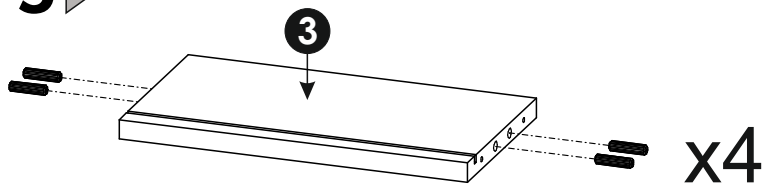
A0	8 x 30mm	x8
		
C7		x8
		
16mm		


14 ▶



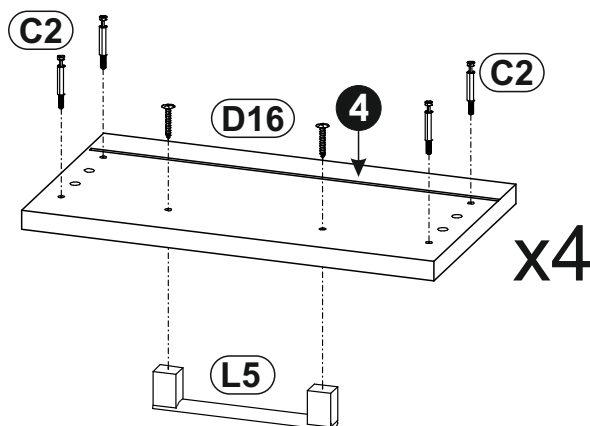
A0	8 x 30mm	x8
		
C7		x8
		
16mm		



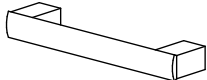
15 ▶



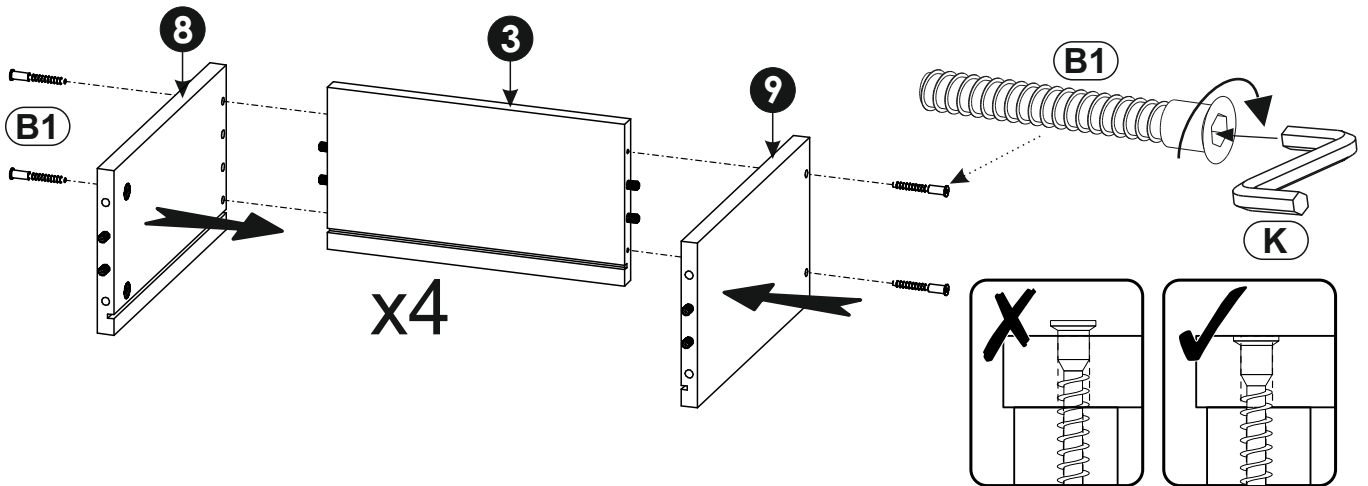
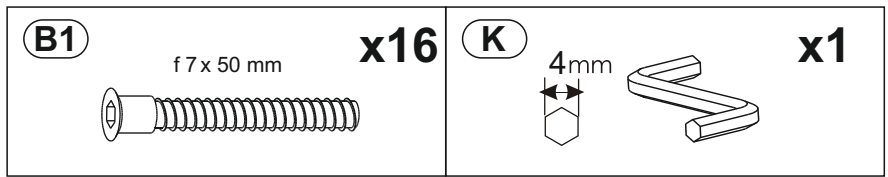
A0	8 x 30mm	x16
		

16 ▶

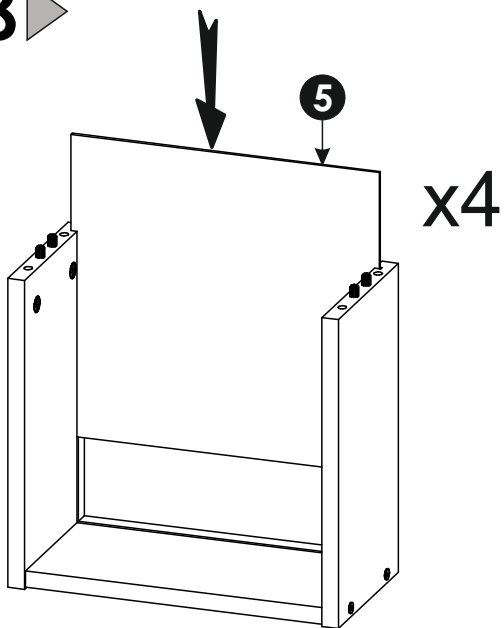


C2		x16
		
D16	4,2 x 28 mm	x8
		
L5		x4
		

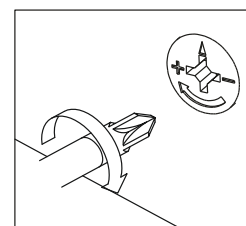
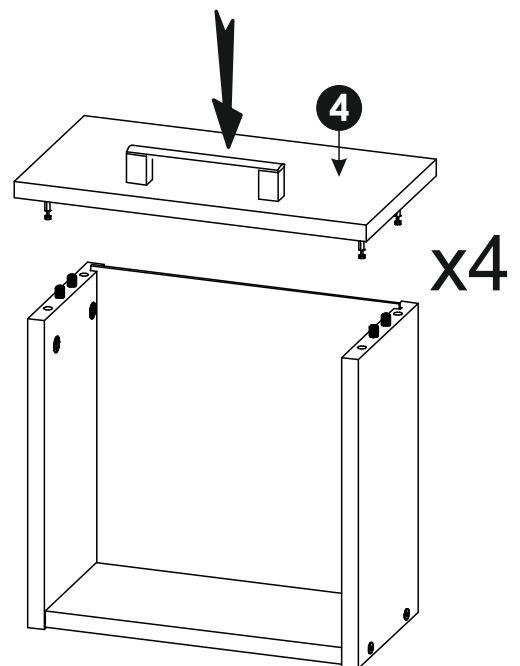
17 ▶





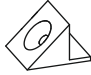

18 ▶

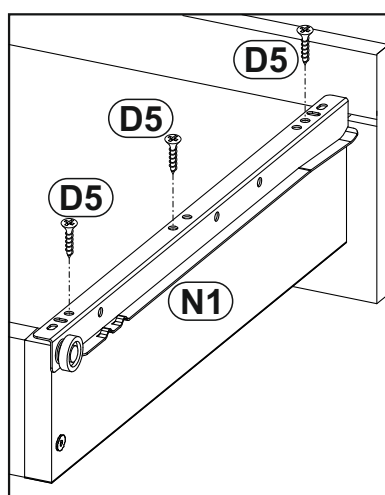
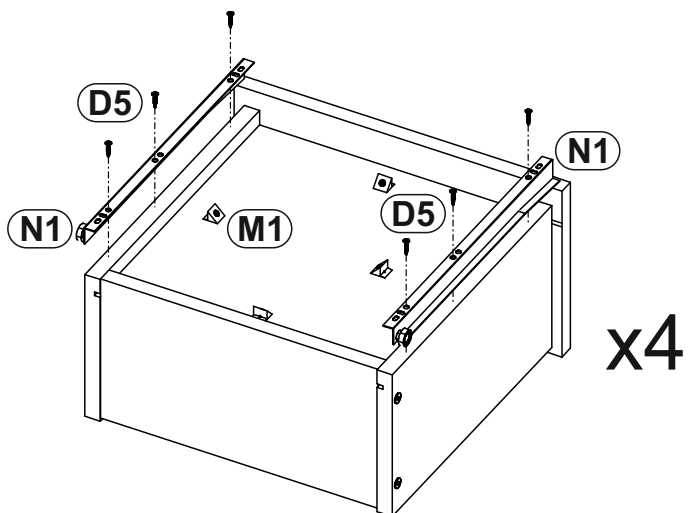


19 ▶

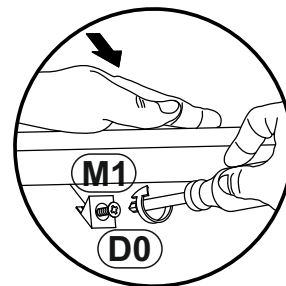
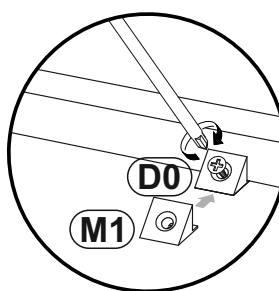
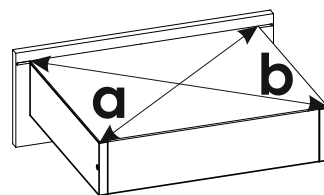


20 ▶

(D0) 3 x 15 mm  x16	(D5) 3,5 x 16 mm  x24	(M1)  x16
(N1) L-300  x4		



a=b



21 ▶

