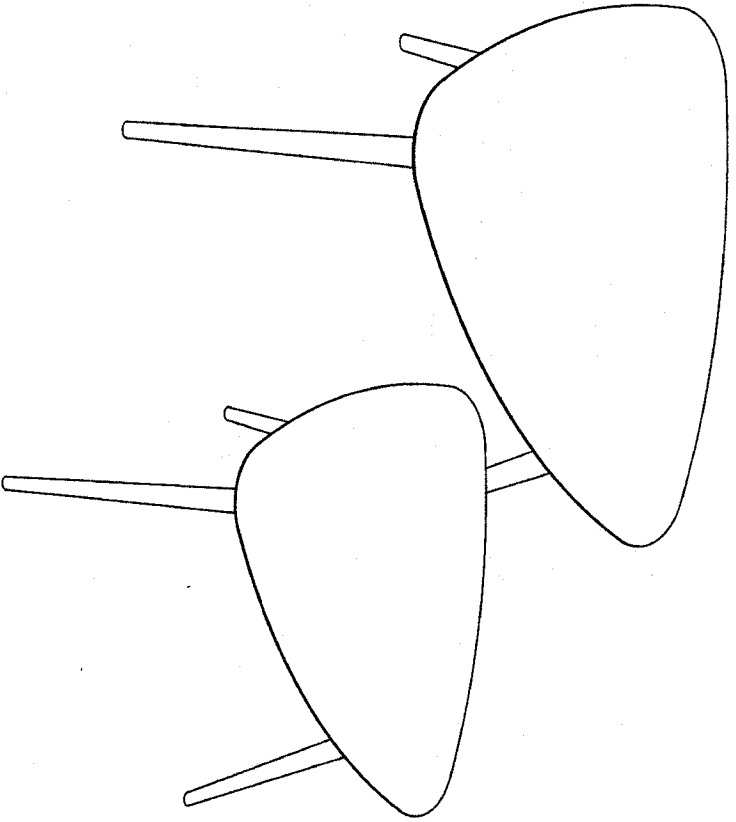
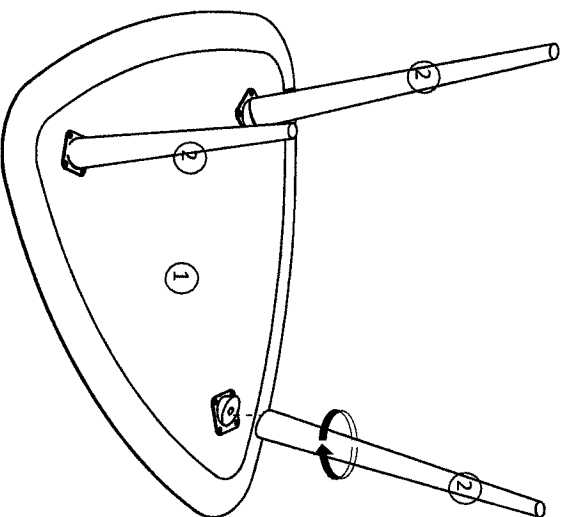


# ASSEMBLY INSTRUCTION



STEP 1



STEP 2

