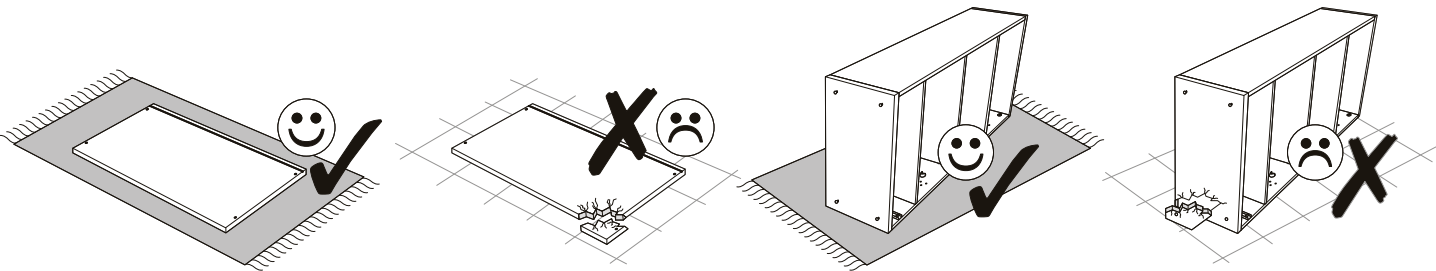
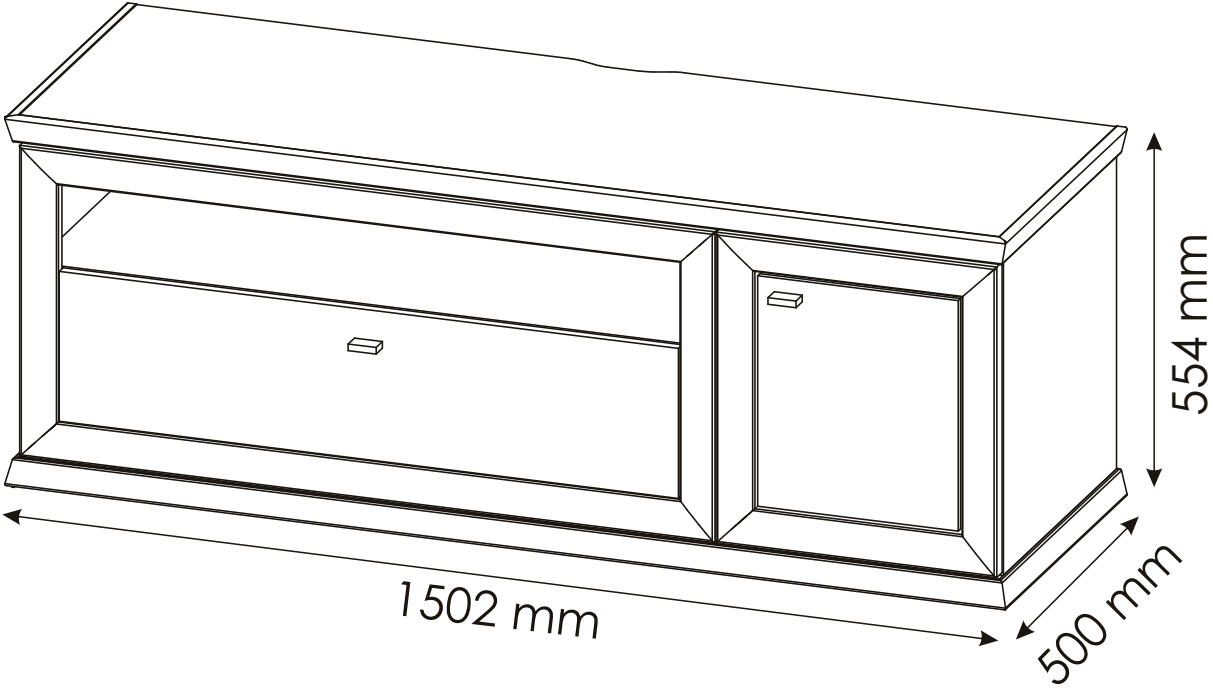
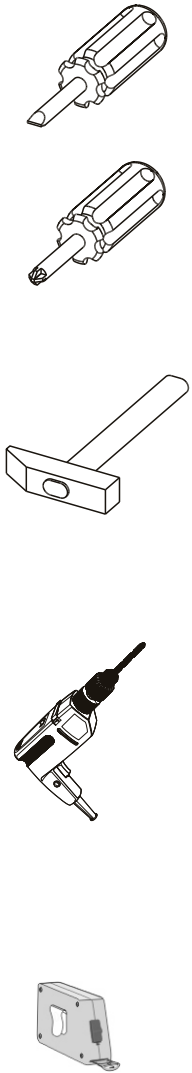
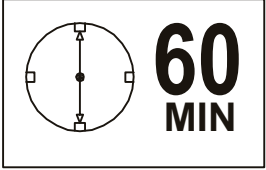
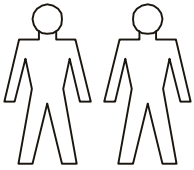
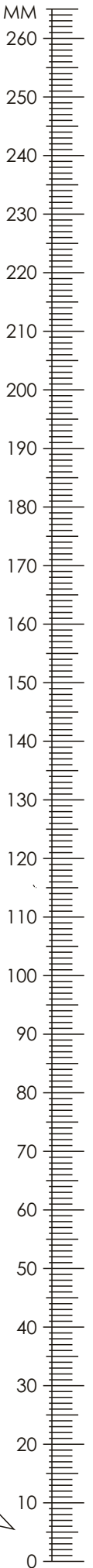







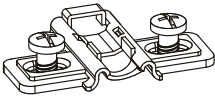
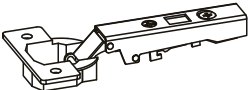
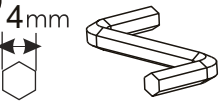

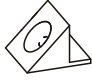
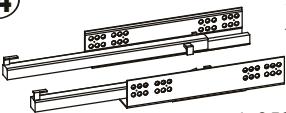
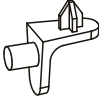



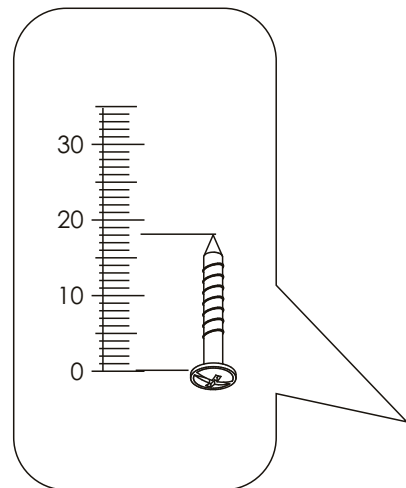
CAMRON/BENTON - TV ELEMENT



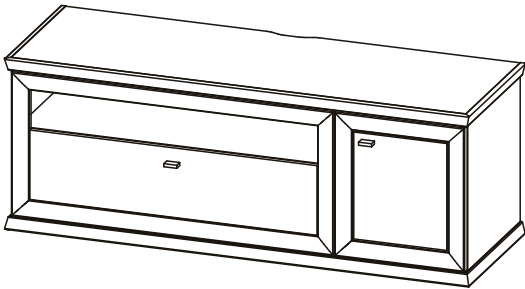
CAMRON/BENTON - TV ELEMENT




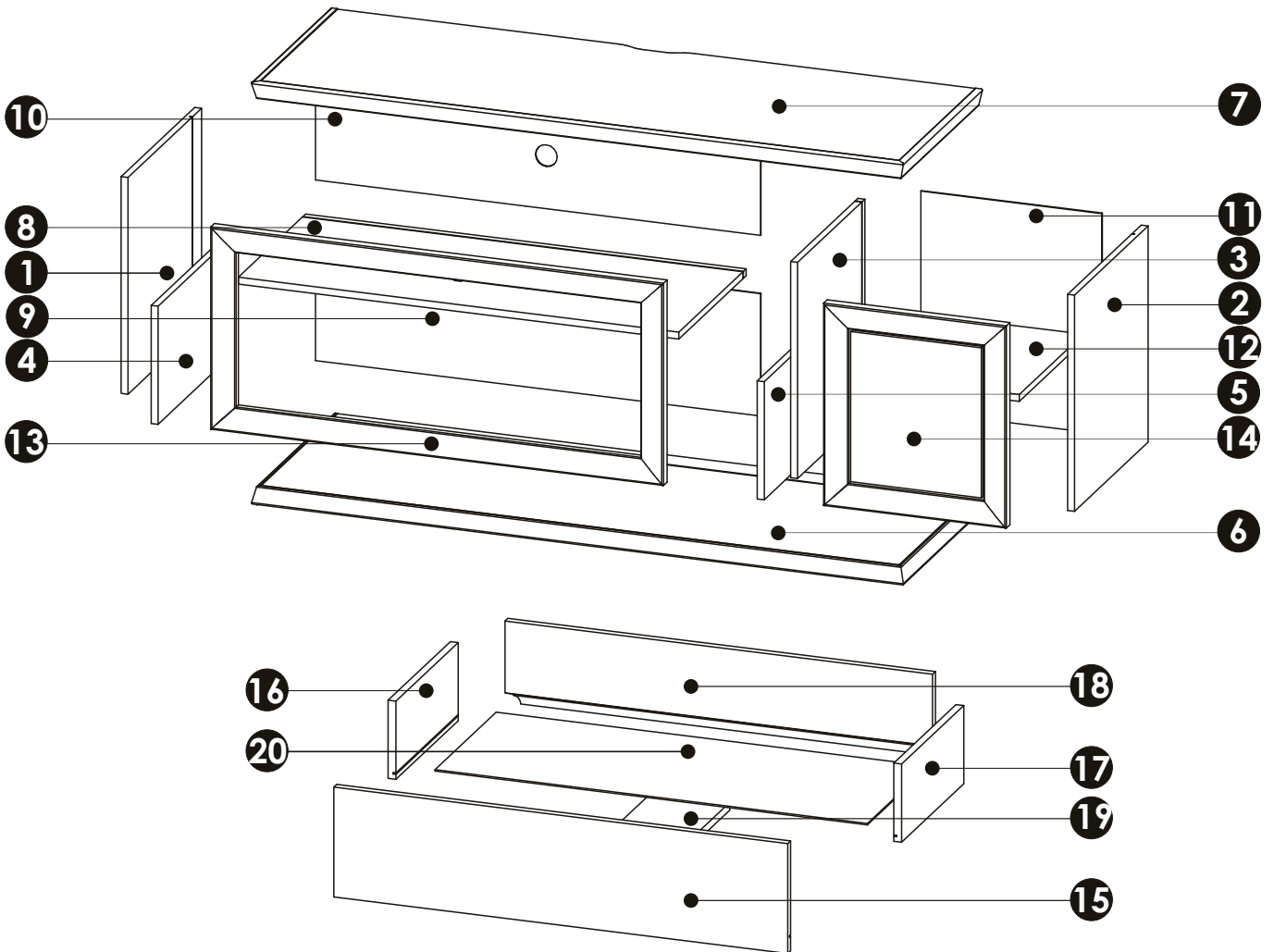
B1 f 7 x 50 mm x9 	C0 x20 	C2 x29 
D0 3 x 15 mm x24 	D10 4 x 16 mm x4 	D31 6,3 x 13 mm x8 
H2 4 x 22 mm x4 	J3 x2 	J10 x2 
K 4mm x1 	L6 x2 	M1 x24 
N14 x1  L-350mm	Q3 x4 	U2 x8 

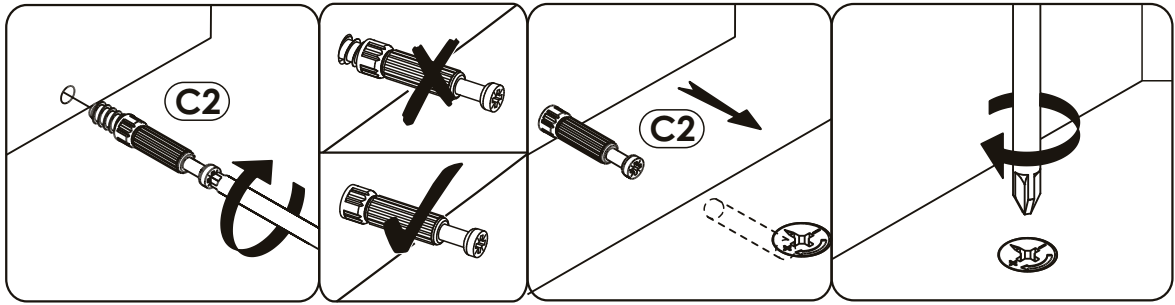


CAMRON/BENTON - TV ELEMENT

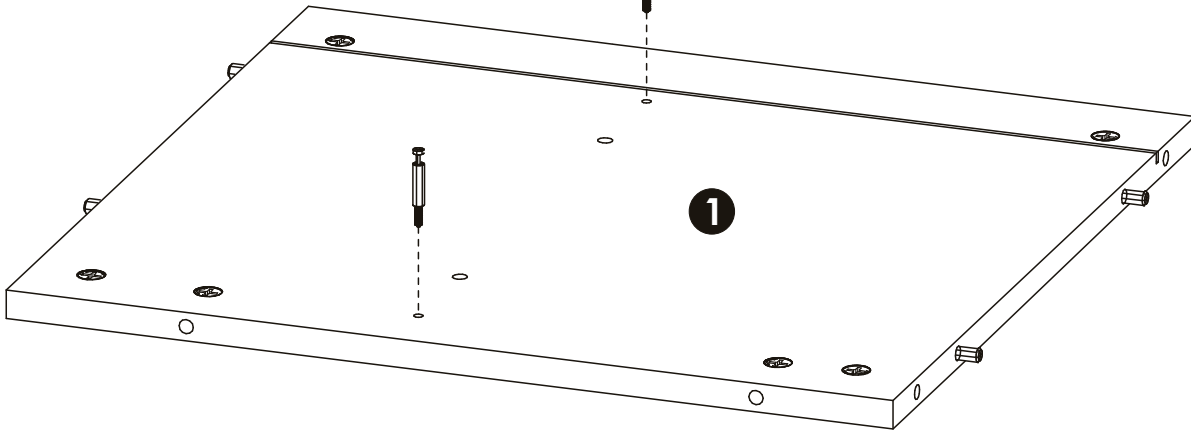
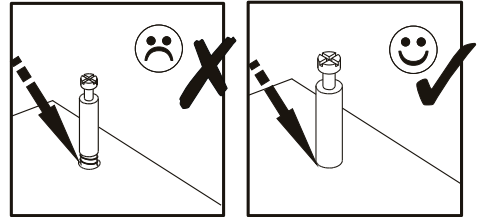
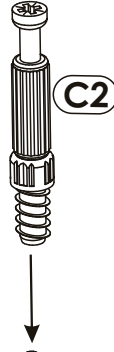
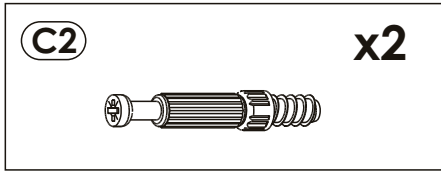


1	498	466	16 x1	1/2	11	416	508	2,8 x1	2/2
2	498	466	16 x1	1/2	12	407	406	16 x1	1/2
3	498	426	16 x1	1/2	13	1043	466	25 x1	2/2
4	406	272	16 x1	1/2	14	466	421	25 x1	2/2
5	406	272	16 x1	1/2	15	929	225	16 x1	1/2
6	1502	501	40 x1	2/2	16	350	160	16 x1	1/2
7	1502	501	40 x1	2/2	17	350	160	16 x1	1/2
8	1015	426	16 x1	1/2	18	875	163	16 x1	1/2
9	1024	281	2,8 x1	1/2	19	334	160	16 x1	1/2
10	1024	219	2,8 x1	2/2	20	885	344	2,8 x1	1/2
									1/2

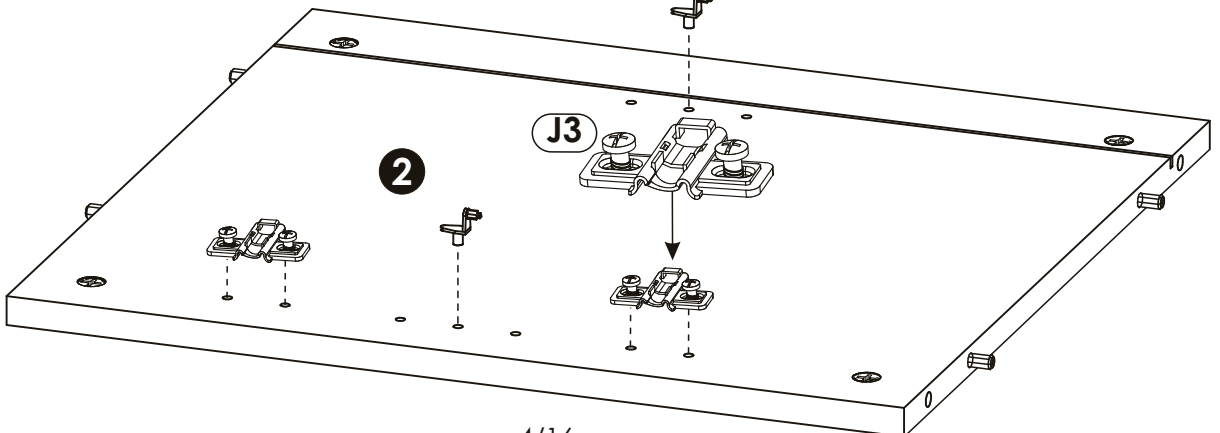
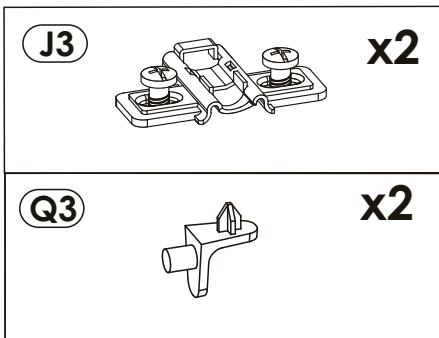




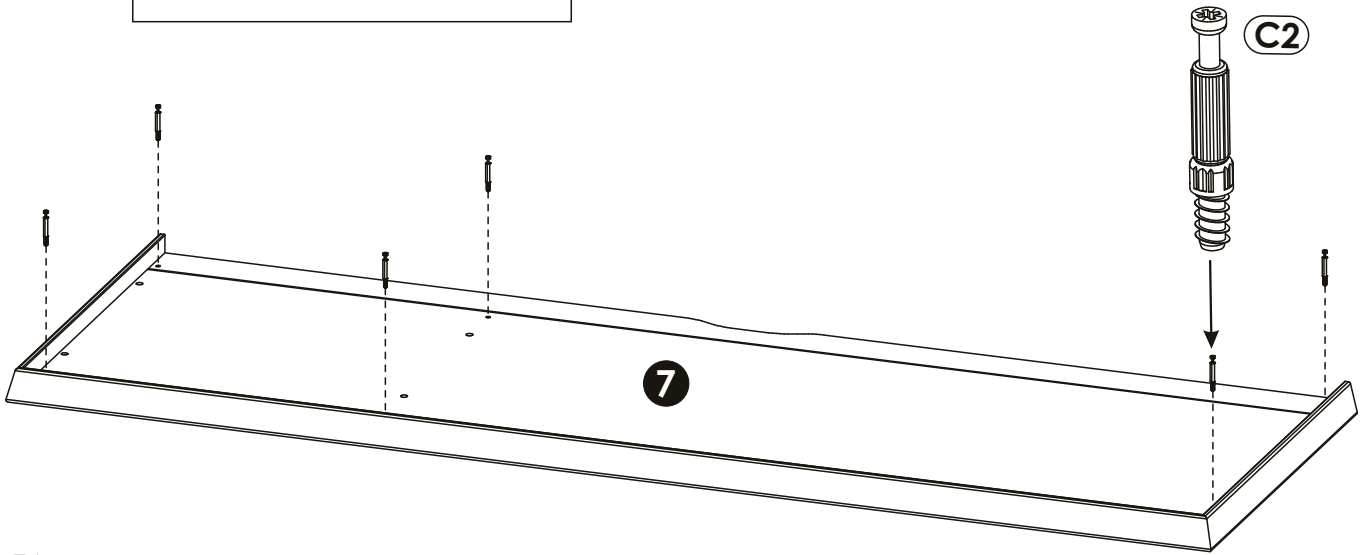
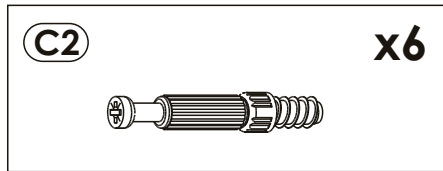
1▷



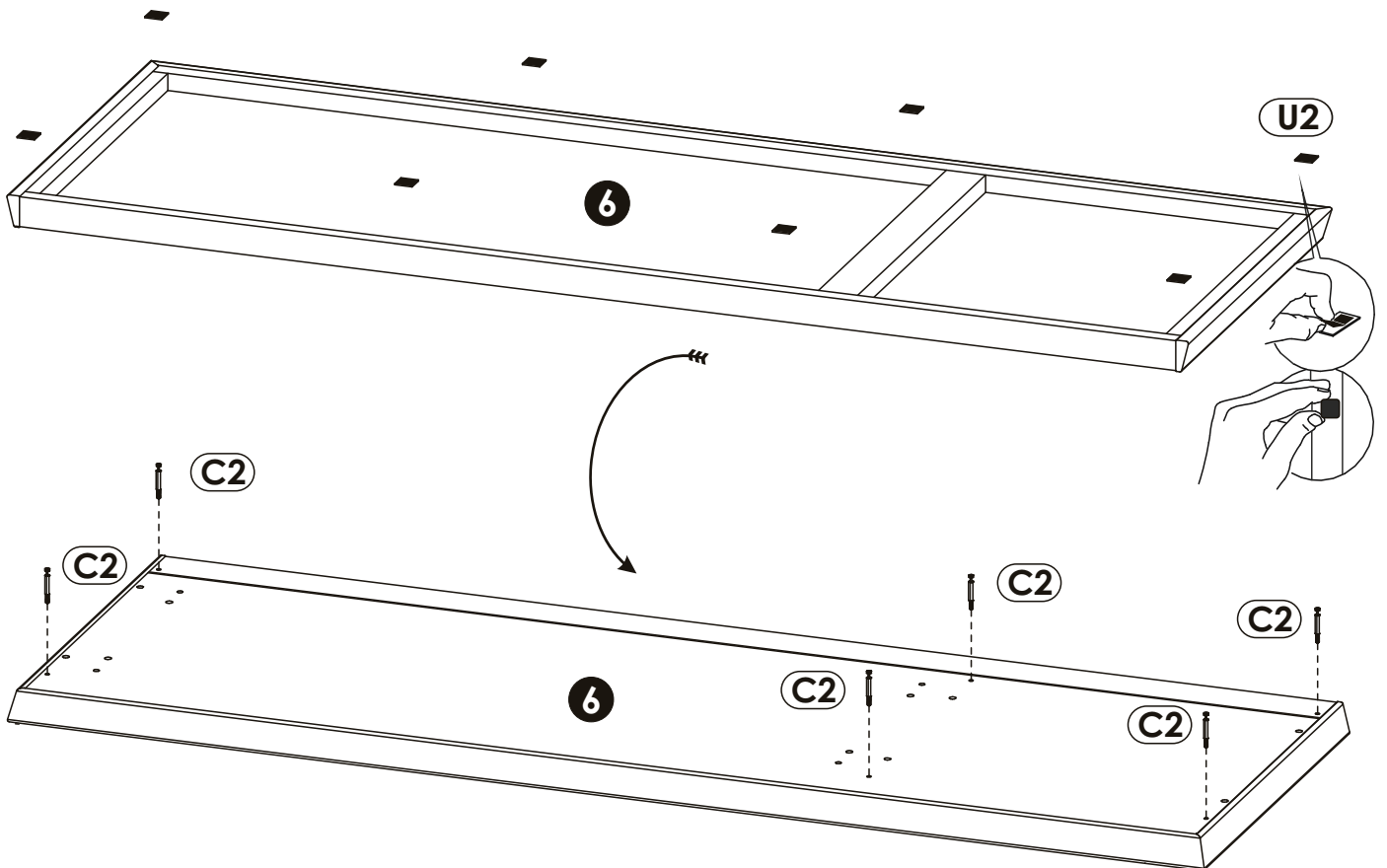
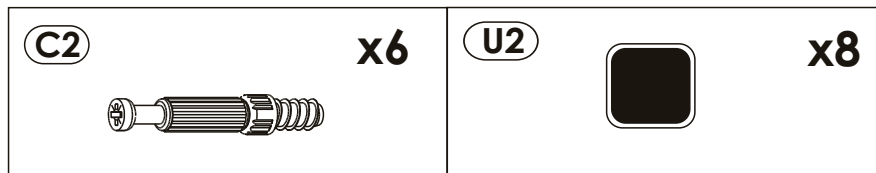
2▷



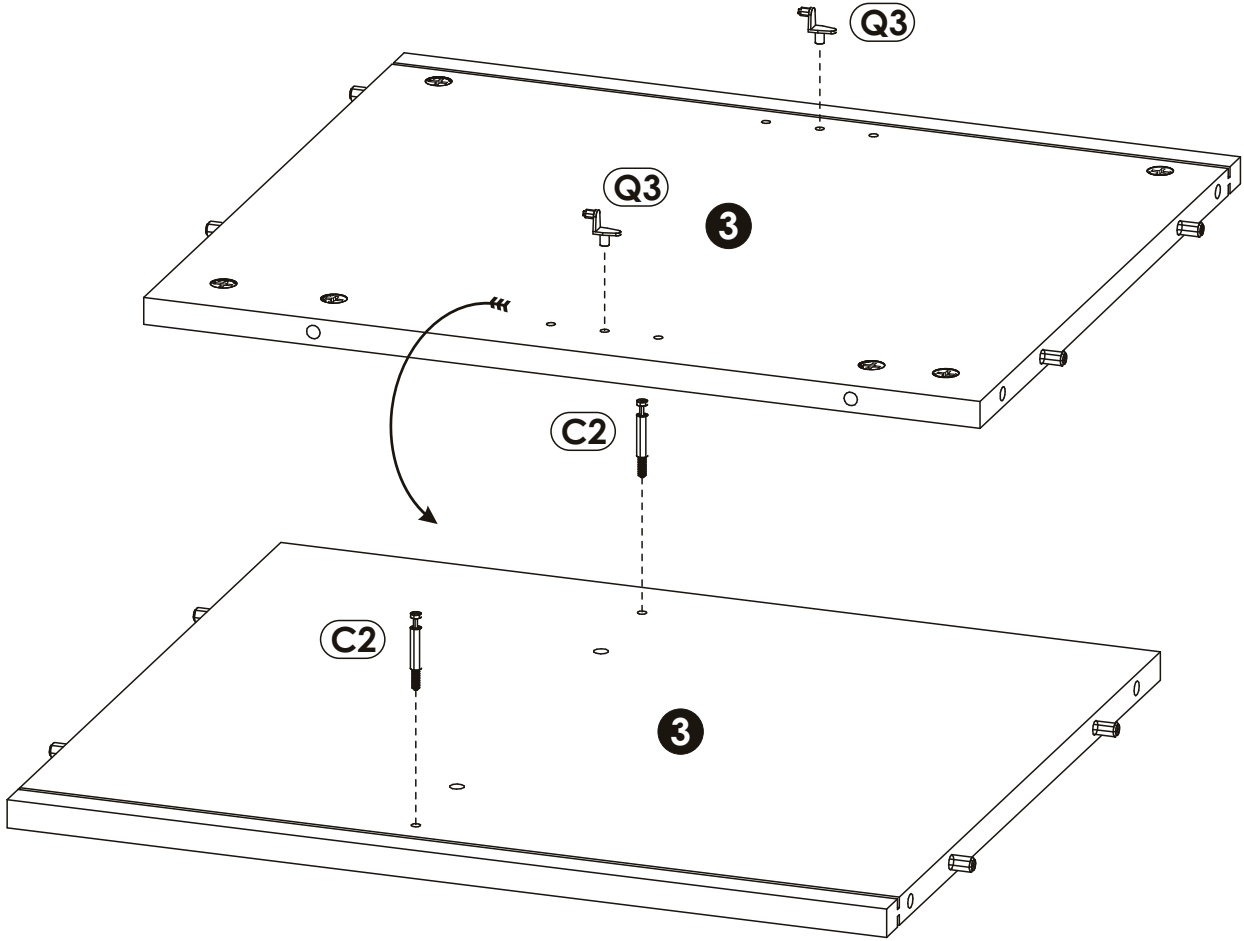
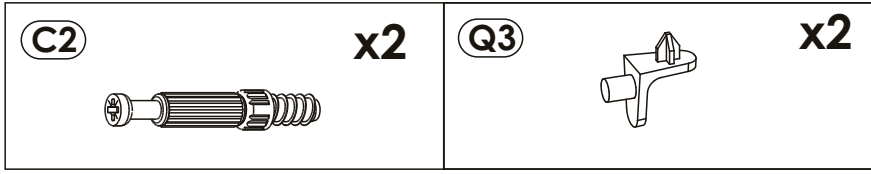
3▷



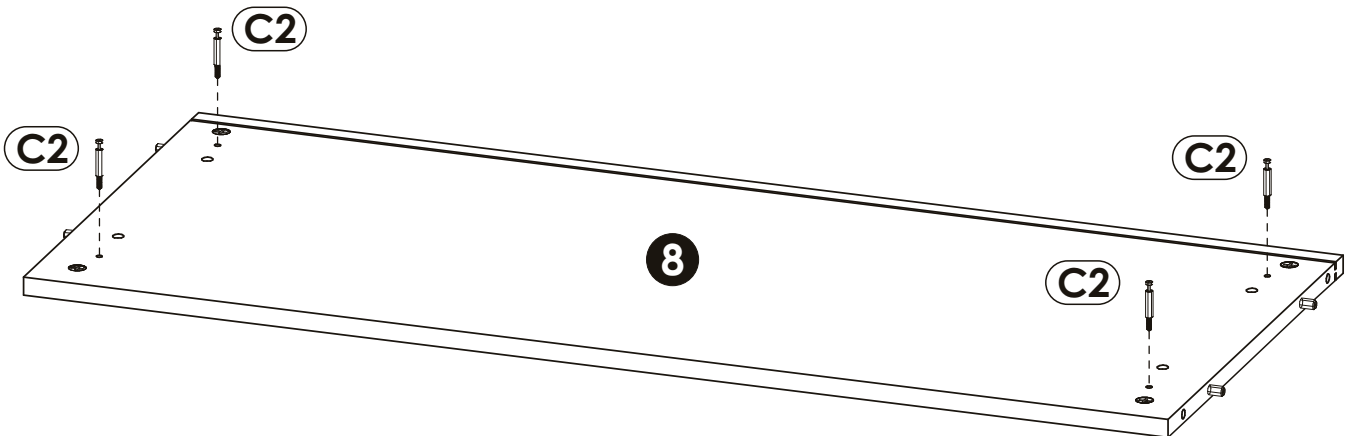
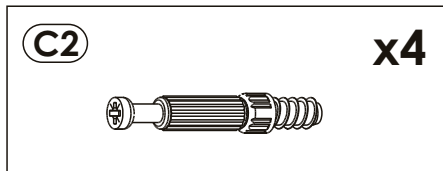
4▷



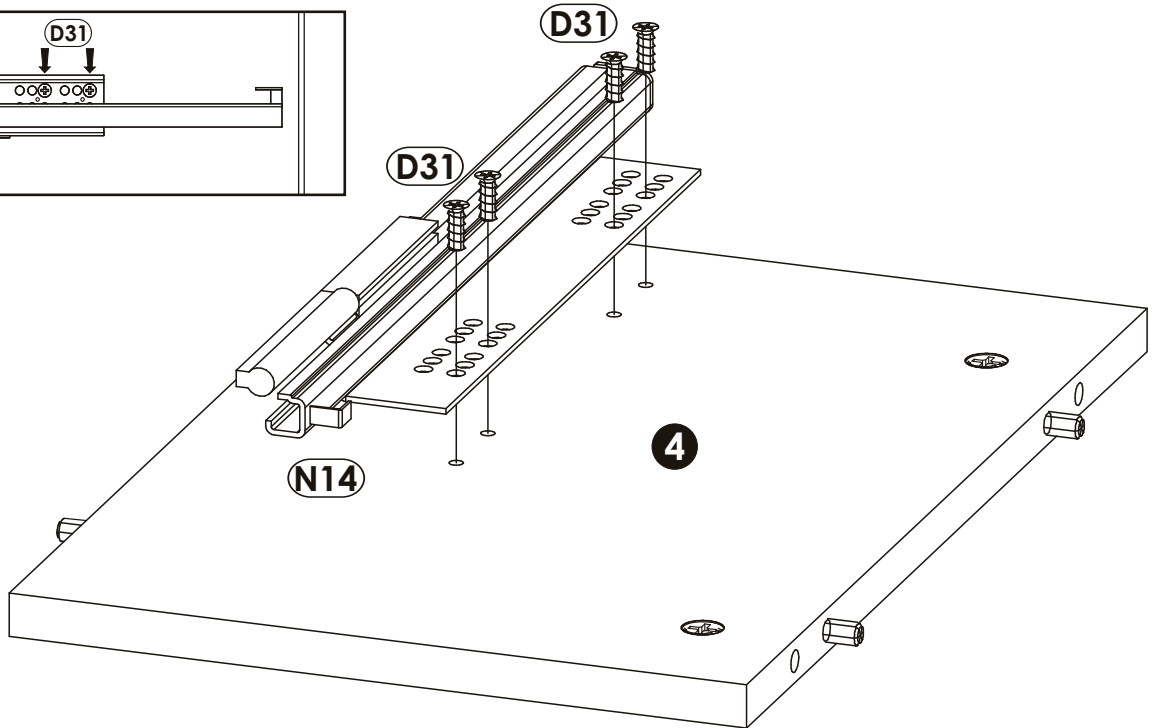
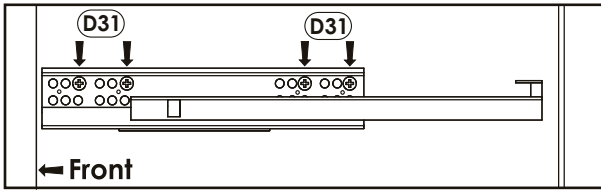
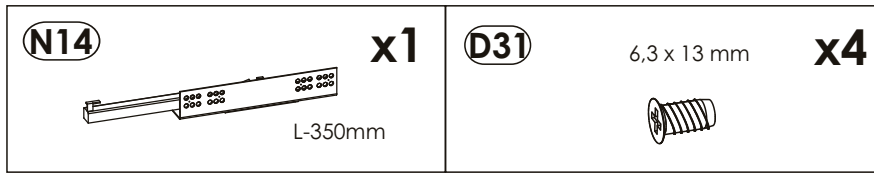
5▷



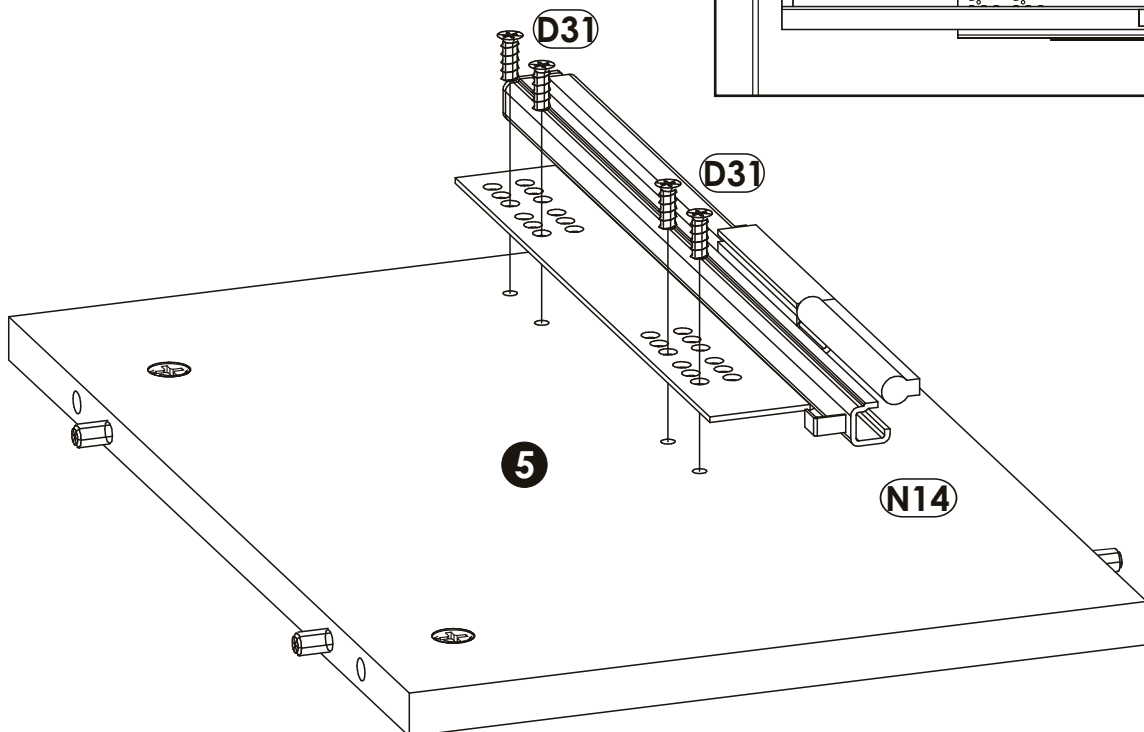
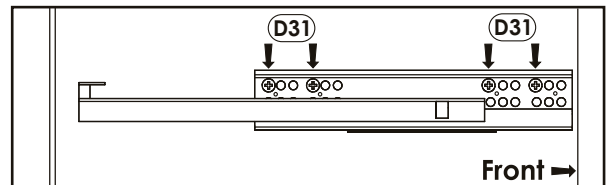
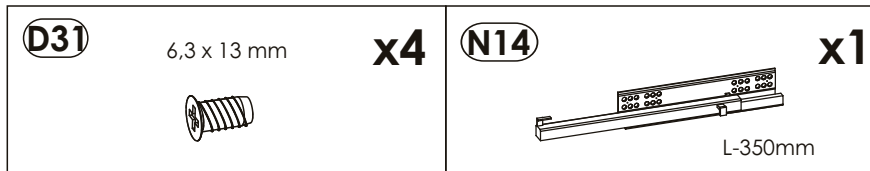
6▷



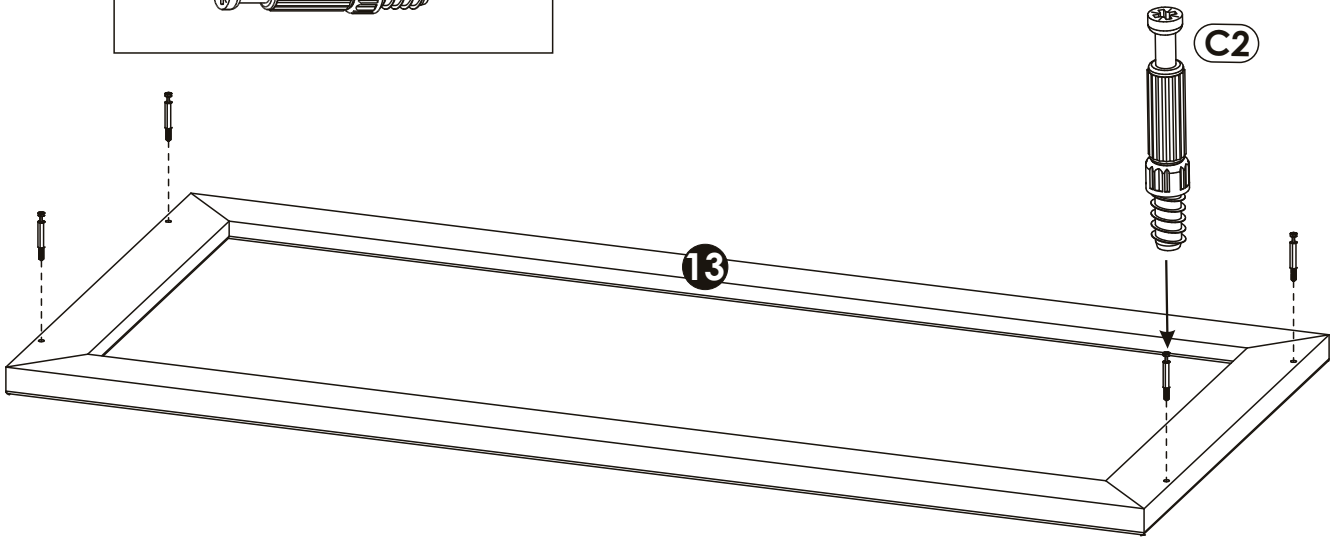
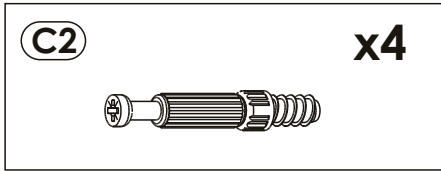
7▷



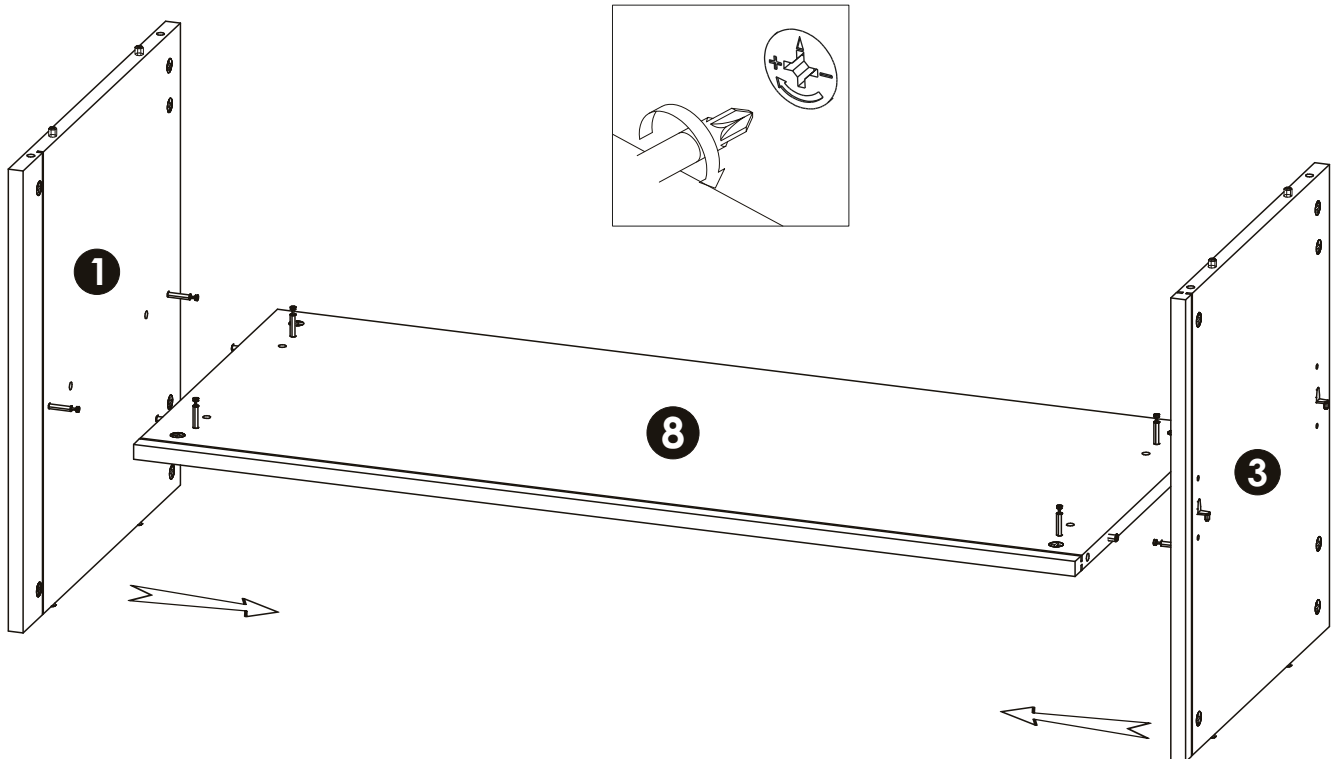
8▷



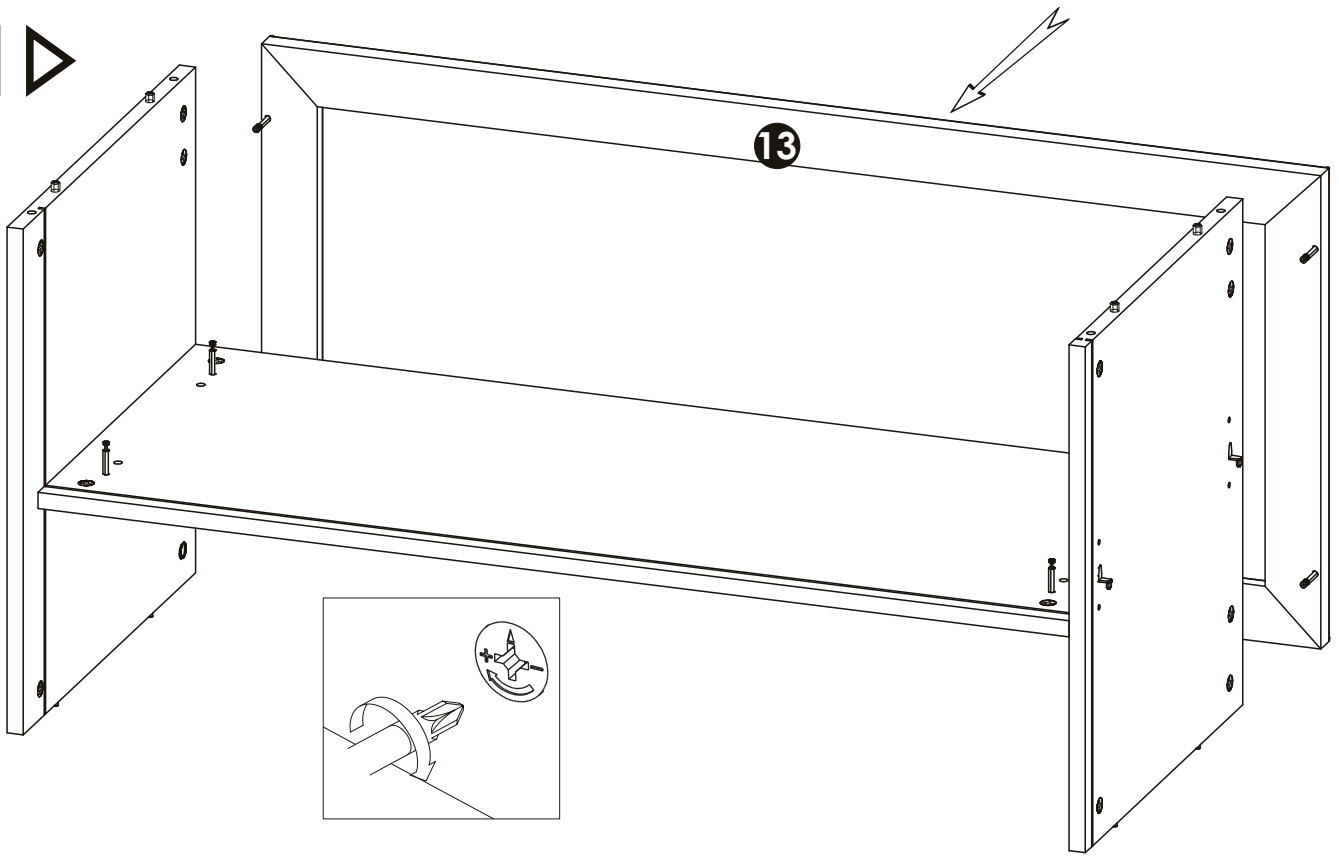
9▷



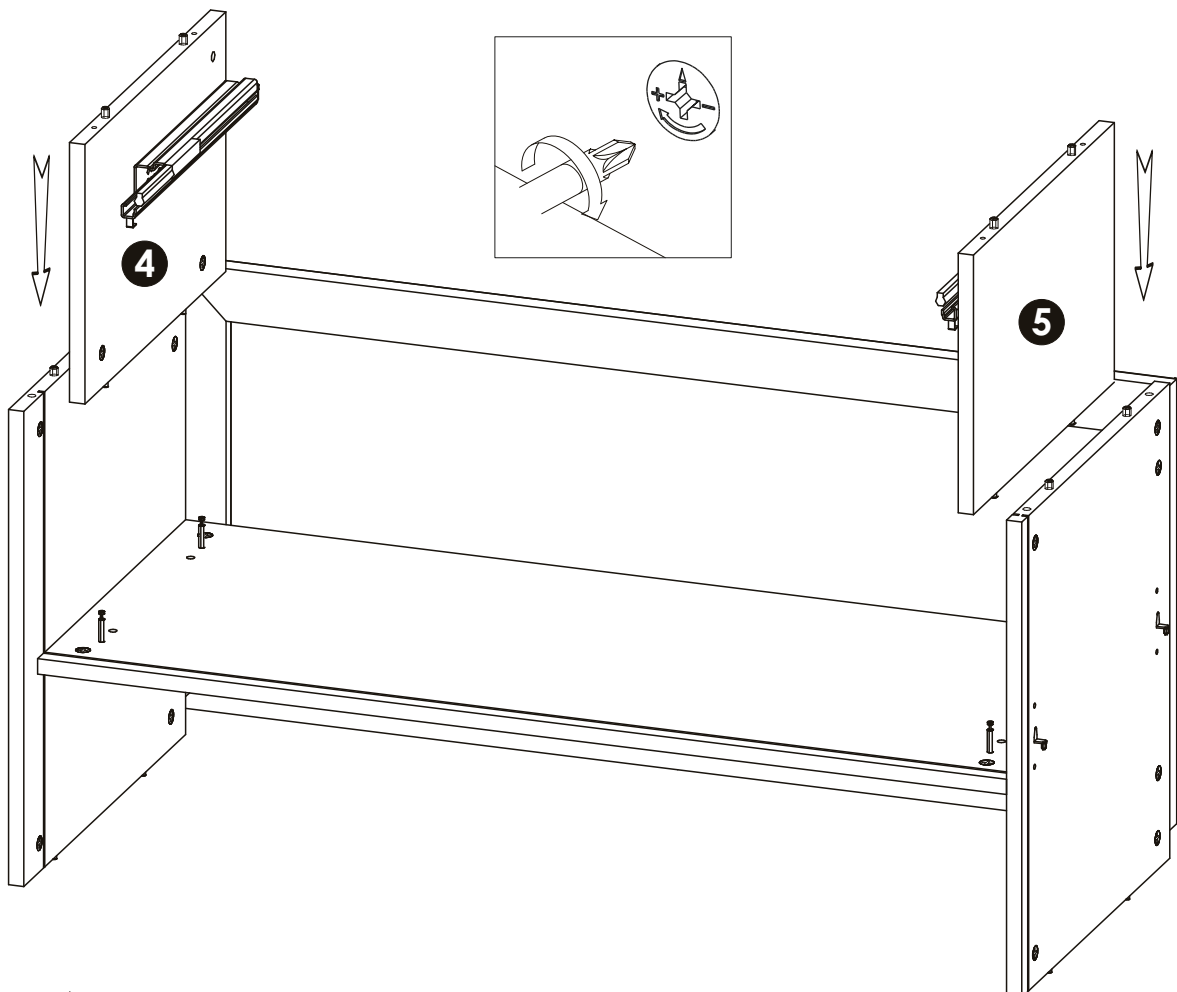
10▷



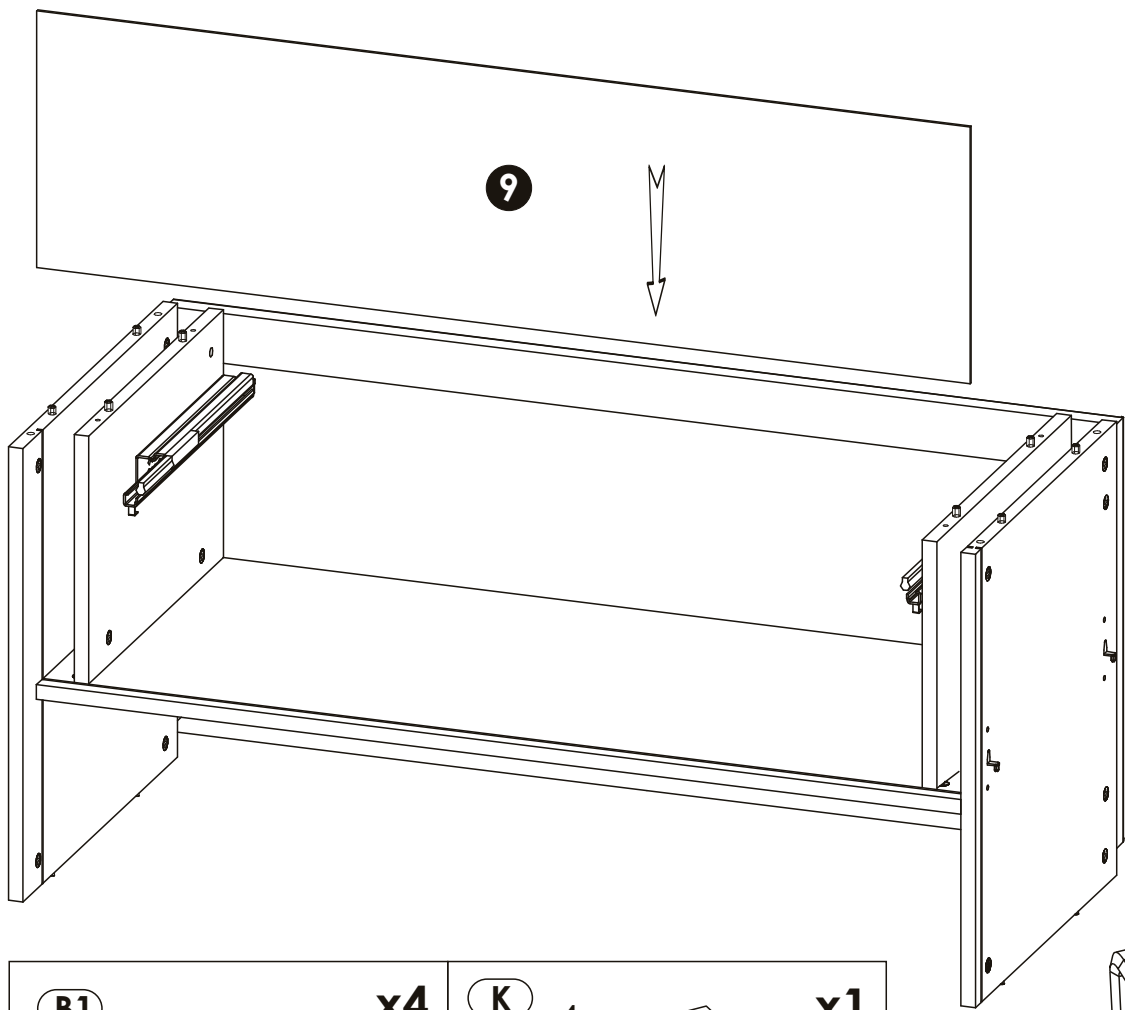
11▷



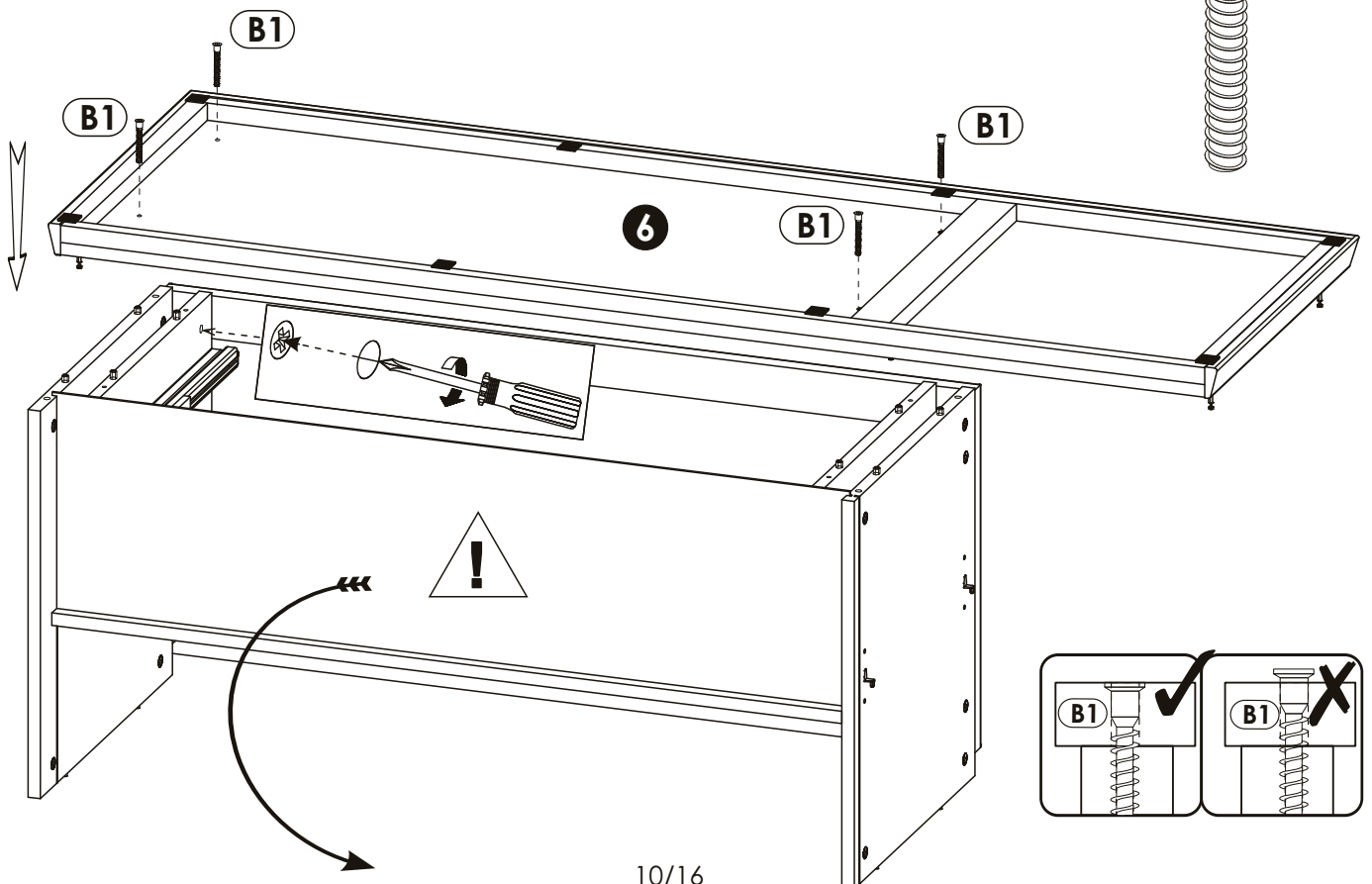
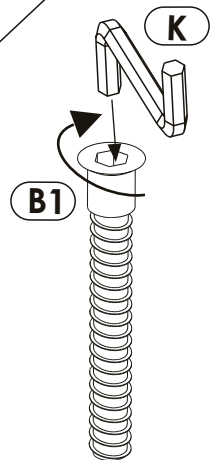
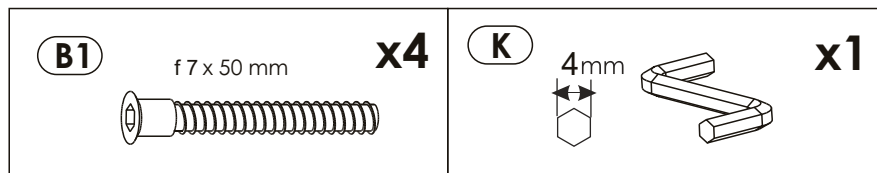
12▷



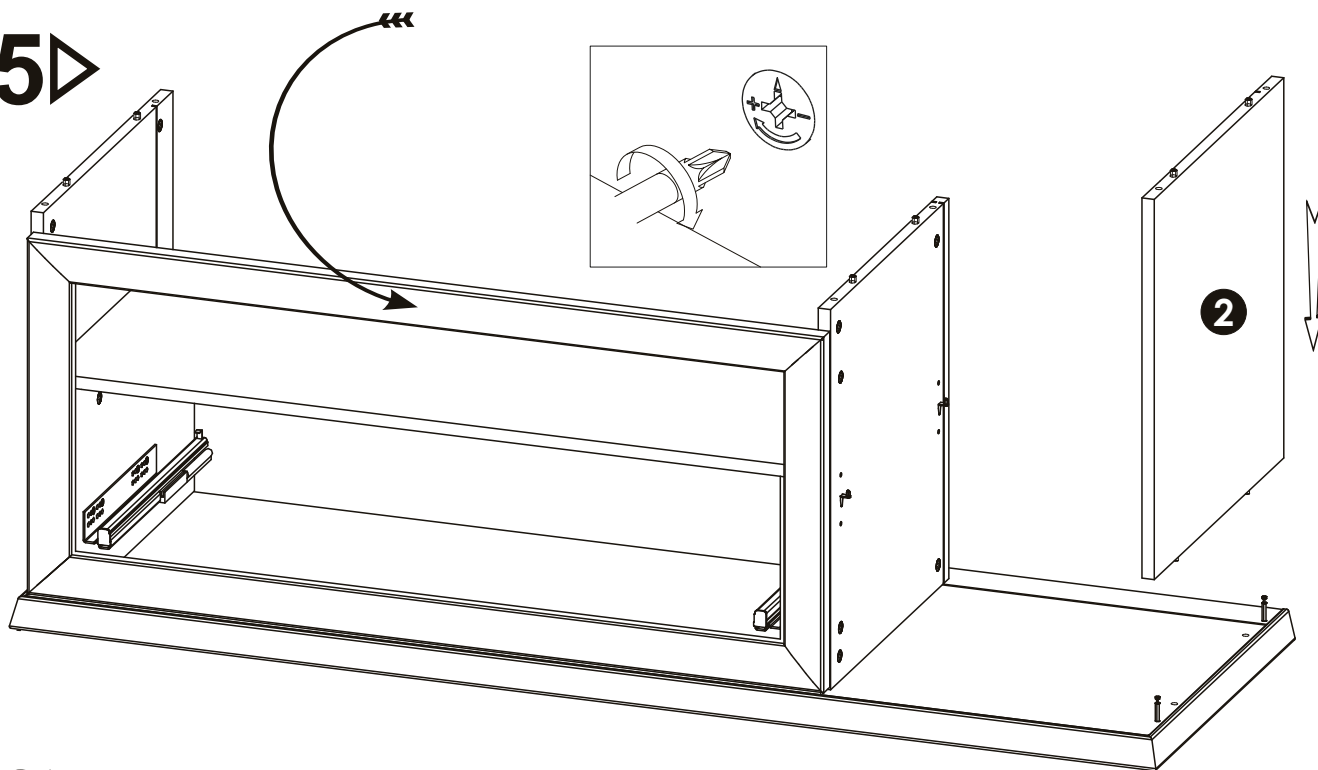
13▷



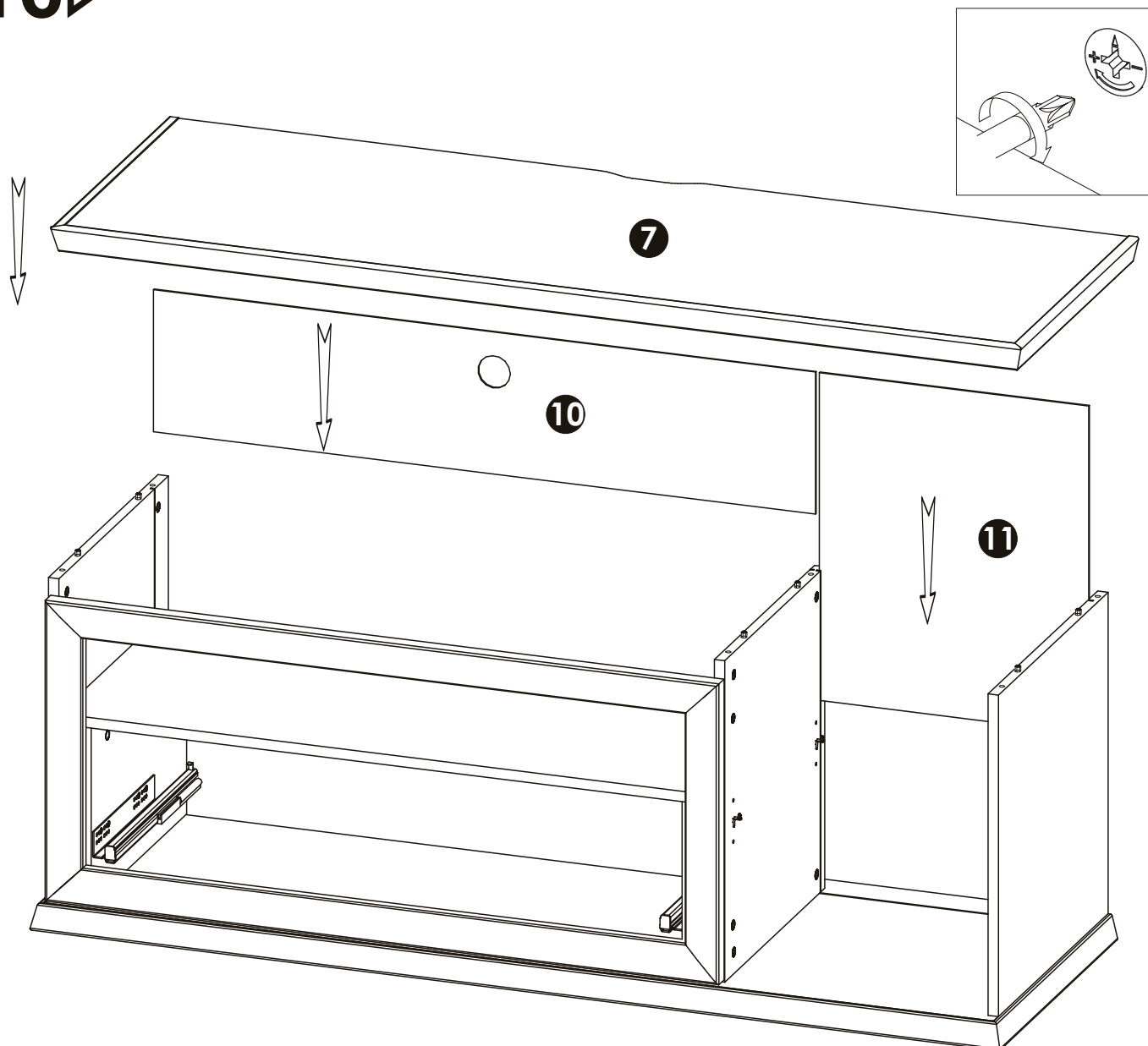
14▷




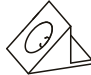
15▷

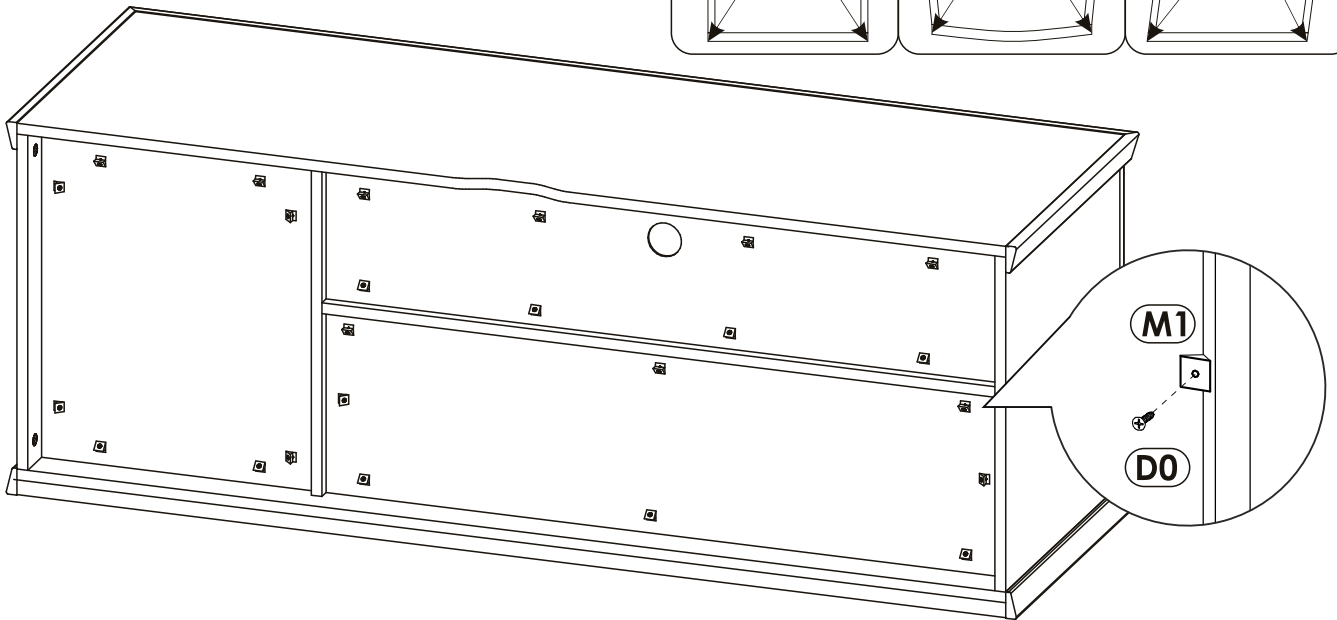
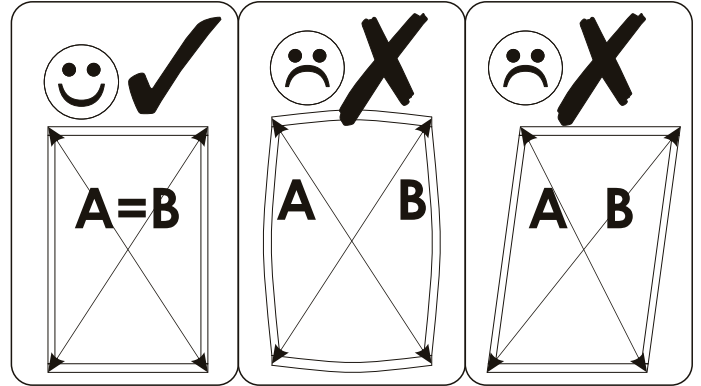
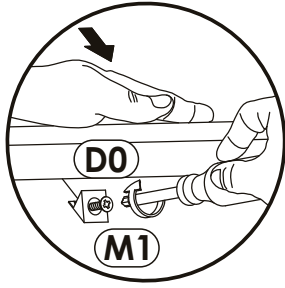


16▷

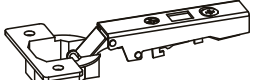



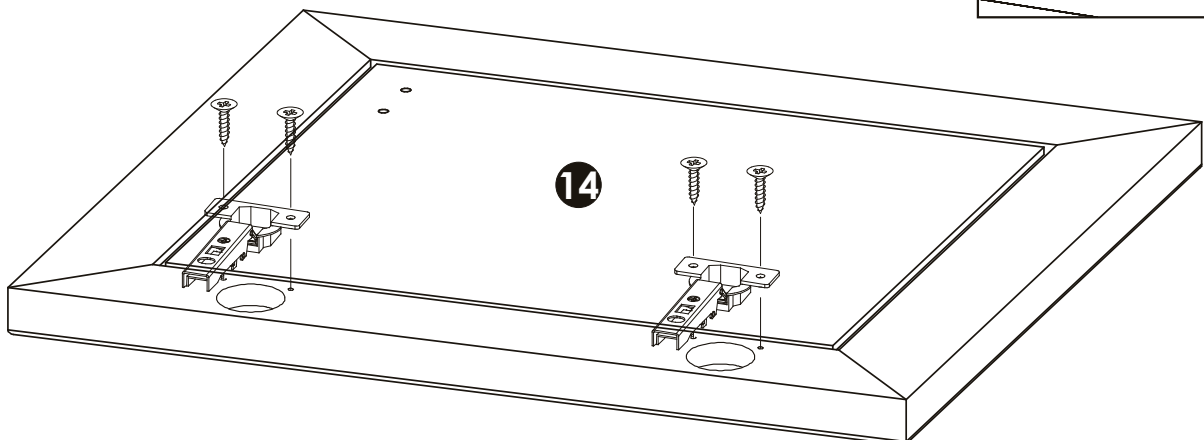
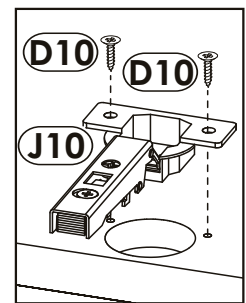
17▷

<p>(D0) 3 x 15 mm x24</p> 	<p>(M1)  x24</p>
---	---



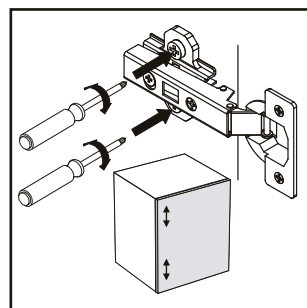
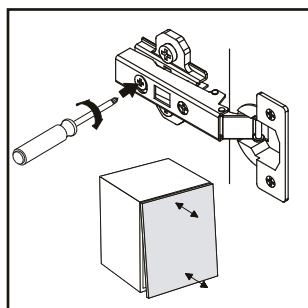
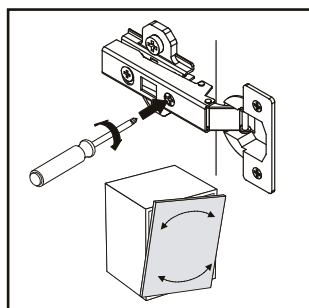
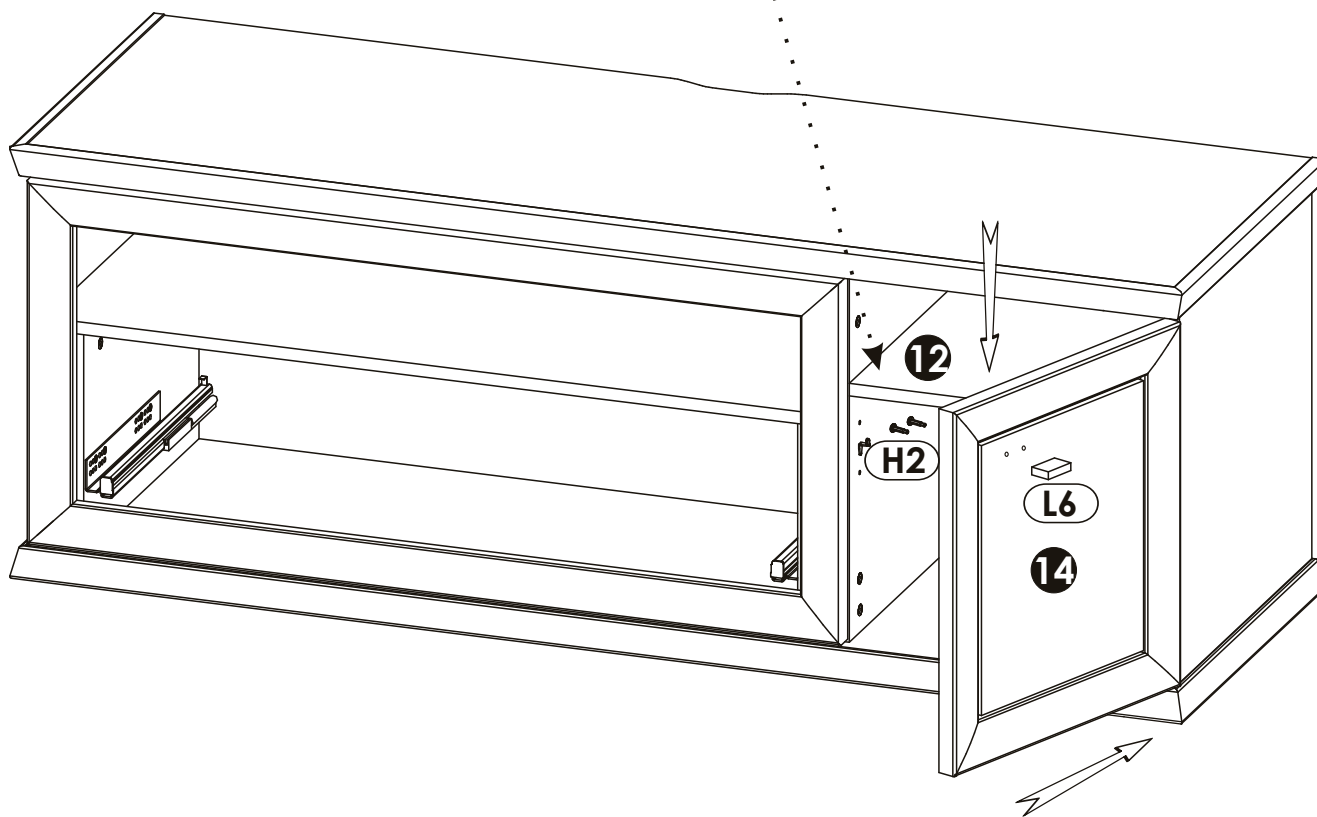
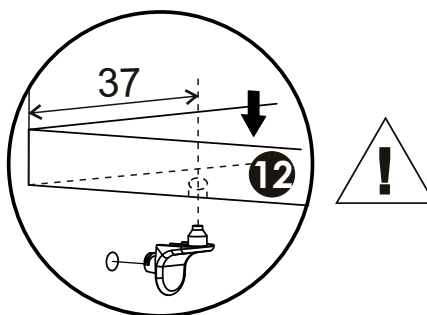
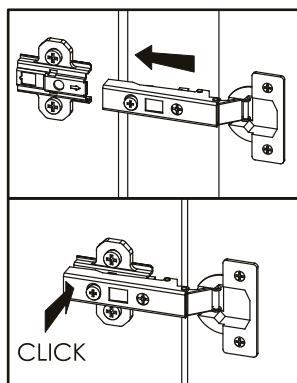
18▷

<p>(J10)  x2</p>	<p>(D10) 4 x 16 mm x4</p> 
---	---

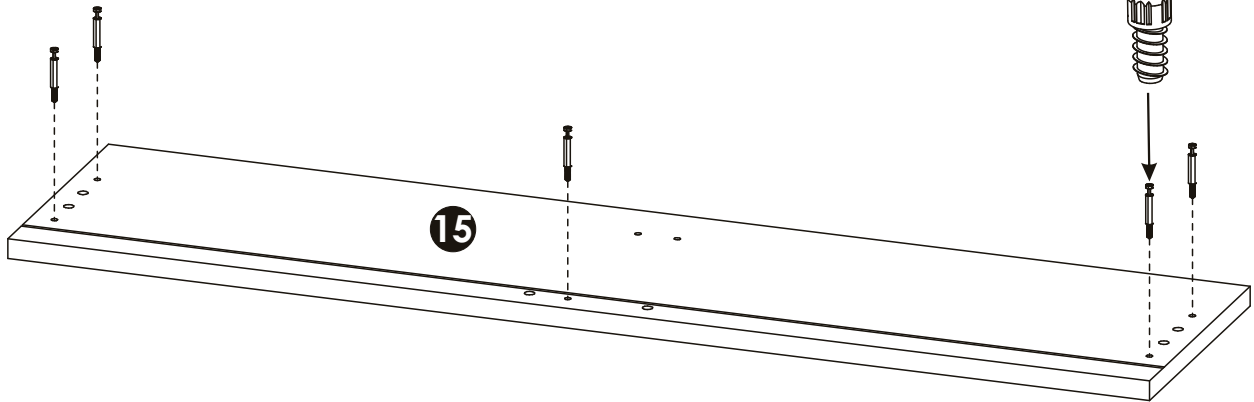
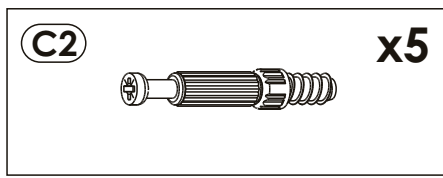


19▷

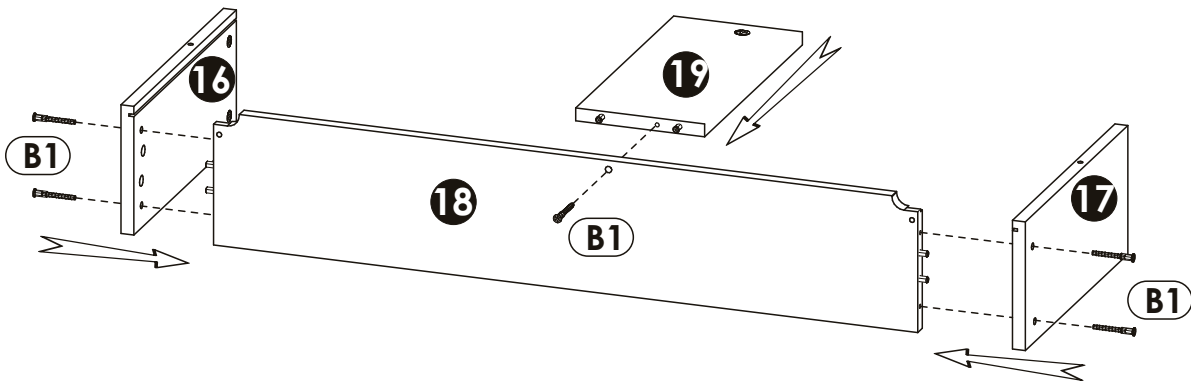
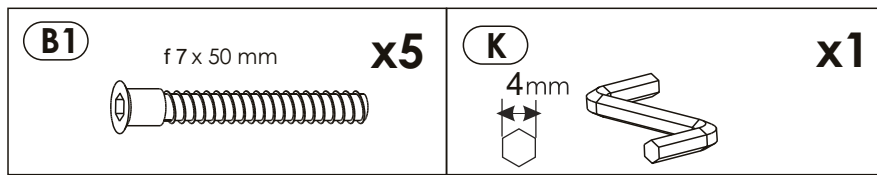
H2	4 x 22 mm	x2	L6	x1
-----------	-----------	-----------	-----------	-----------



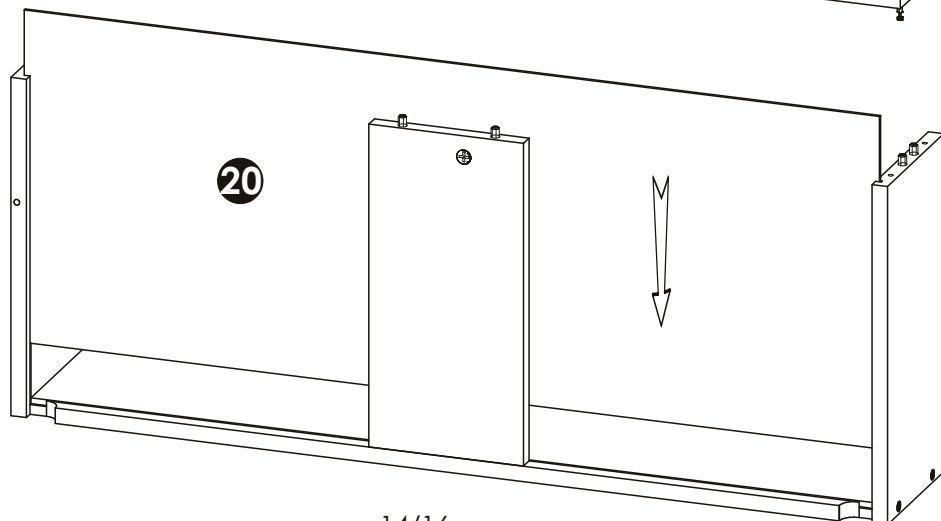
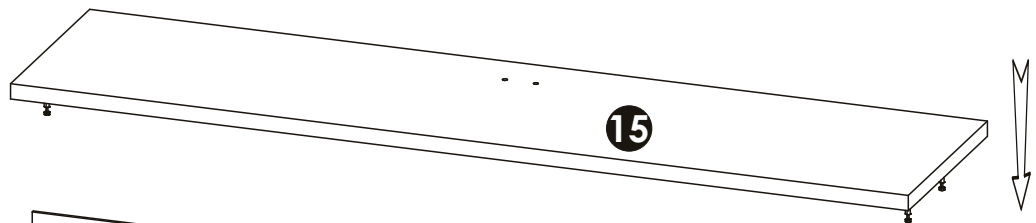
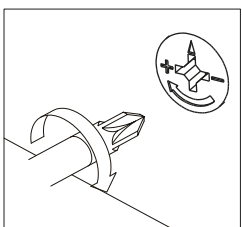
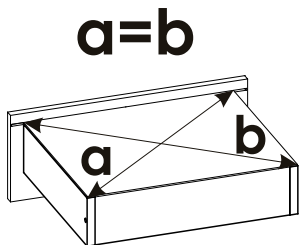
20▷



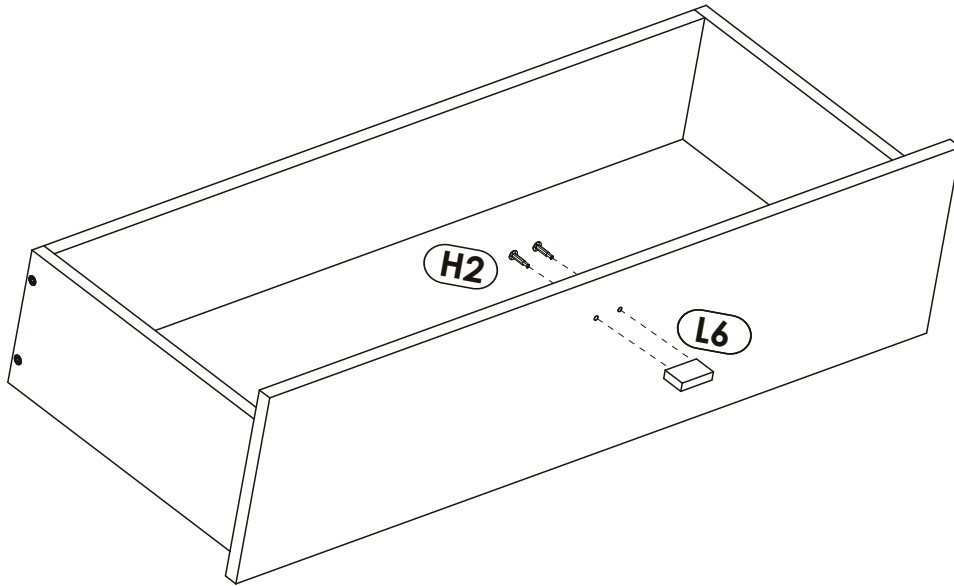
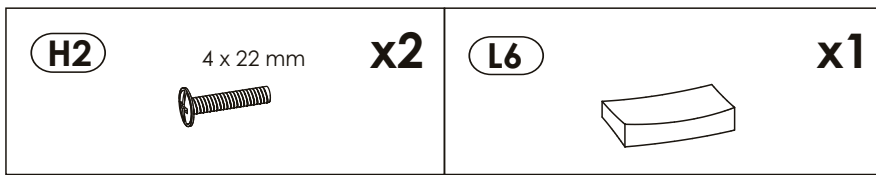
21▷



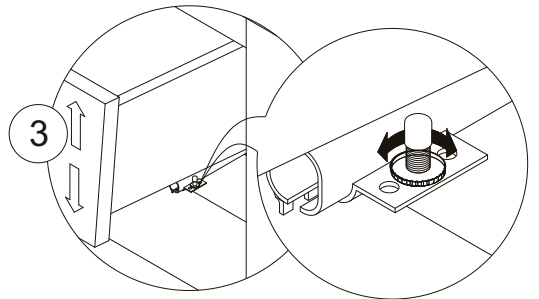
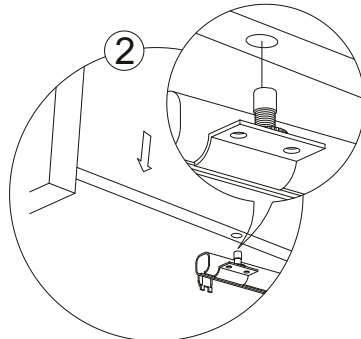
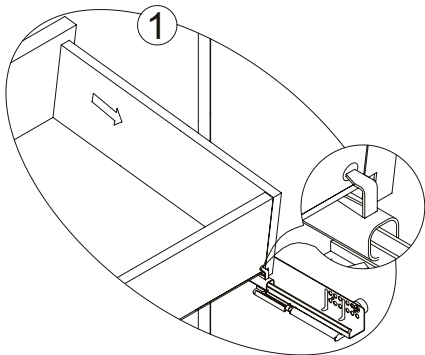
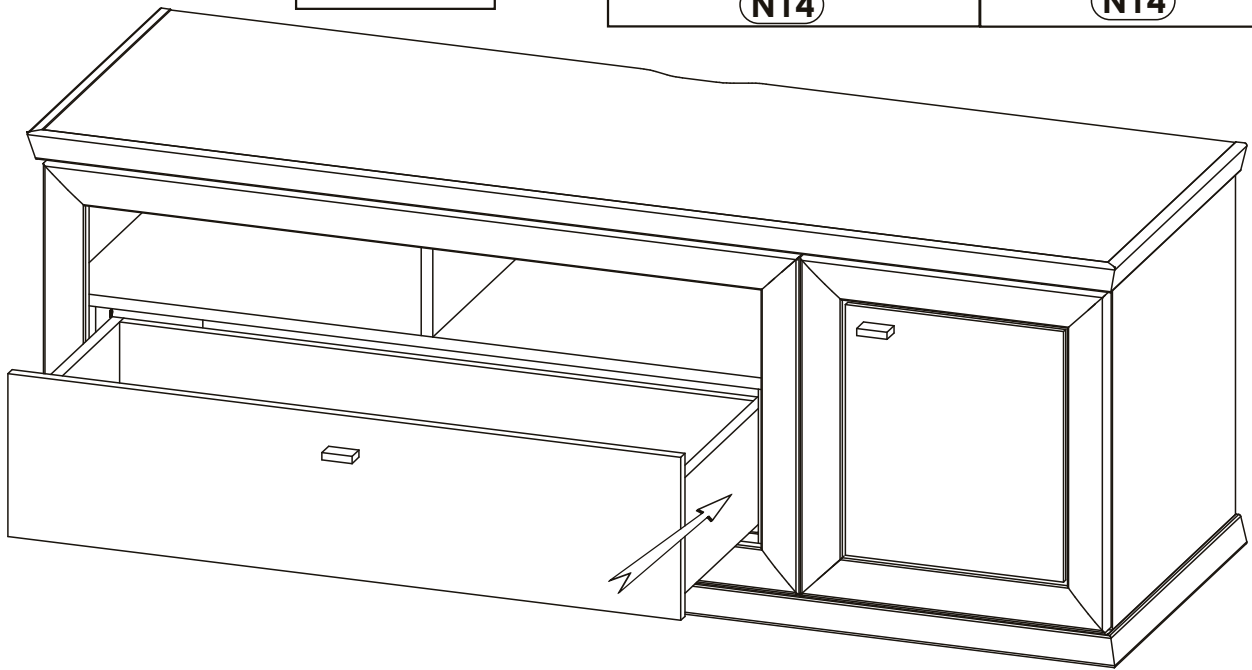
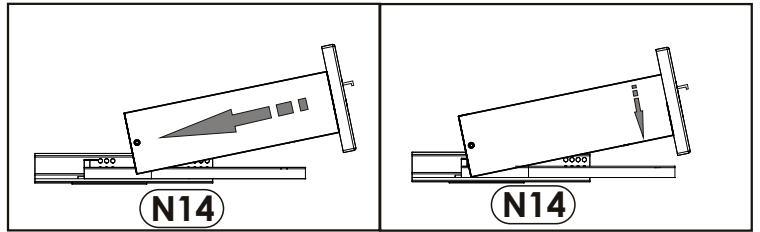
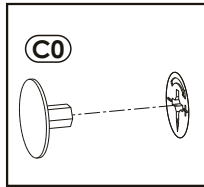
22▷



23▷



24▷



25▷

