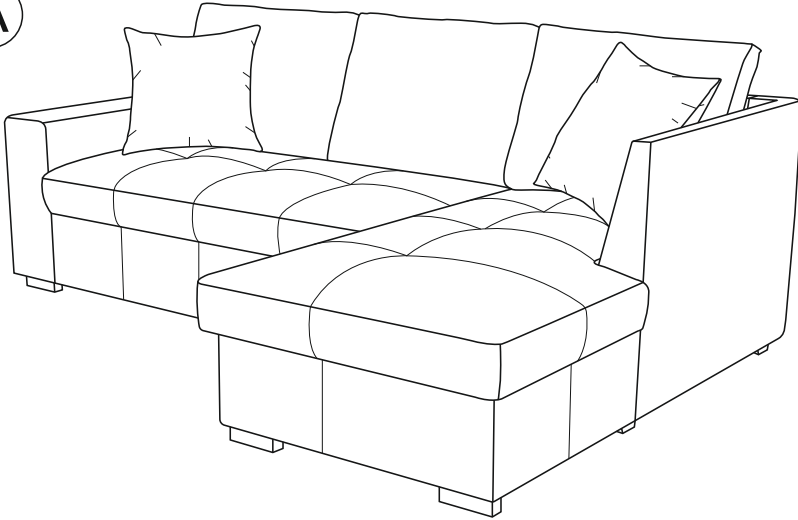


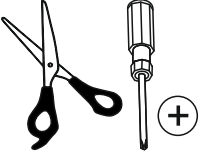



A

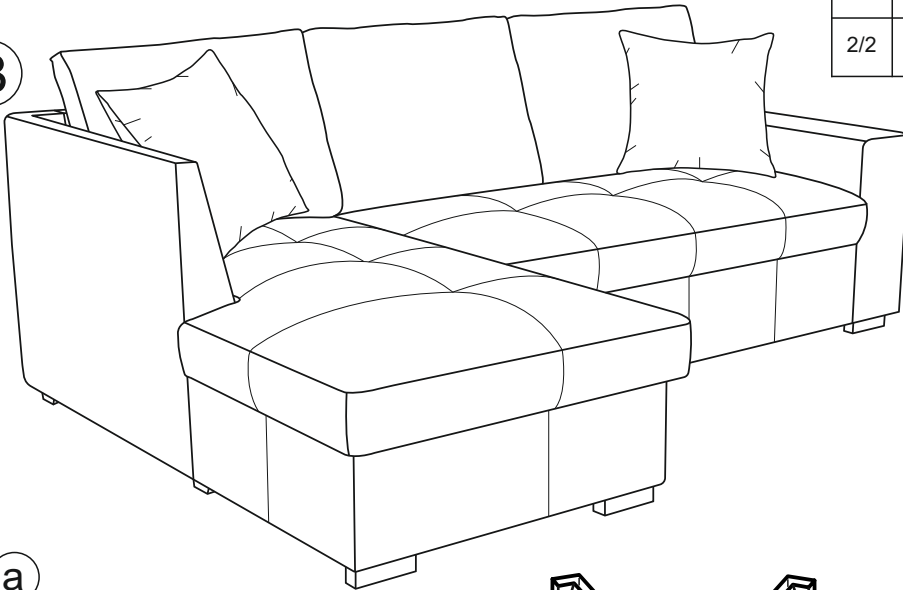


Bill
2F.REC/BK
REC/BK.2F
 17-09/2020

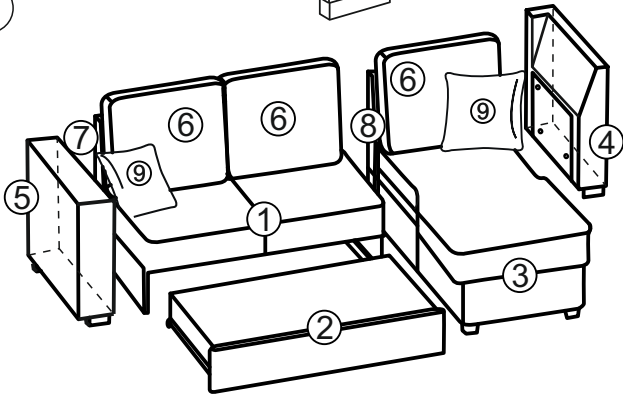
 x2	 60 MIN	 +
		

1/2	REC/BK	3,7,8,6(1)	1600x880x430
2/2	2F	1,2,4,5,6(2),9	1400x940x670

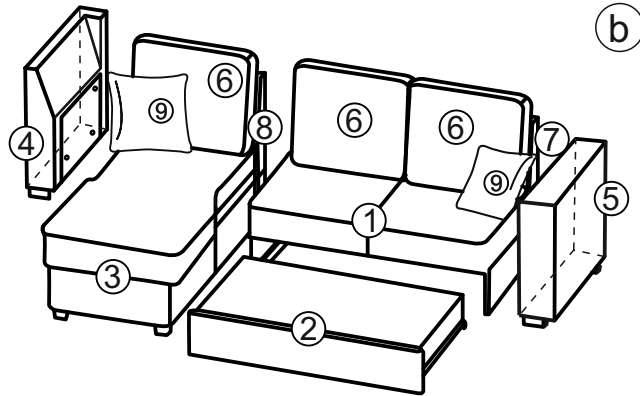
B



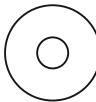
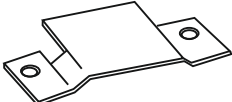

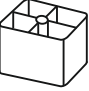
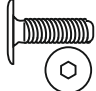
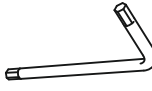


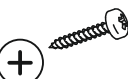
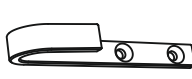
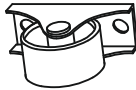
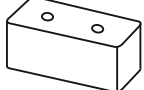


a

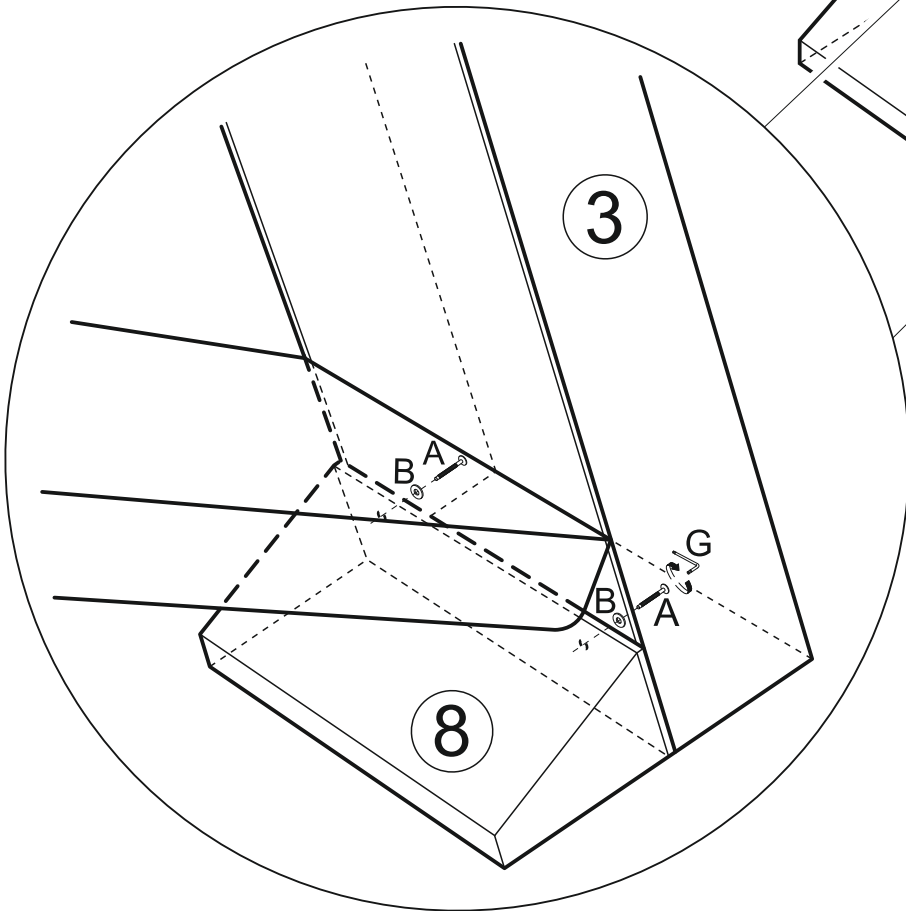
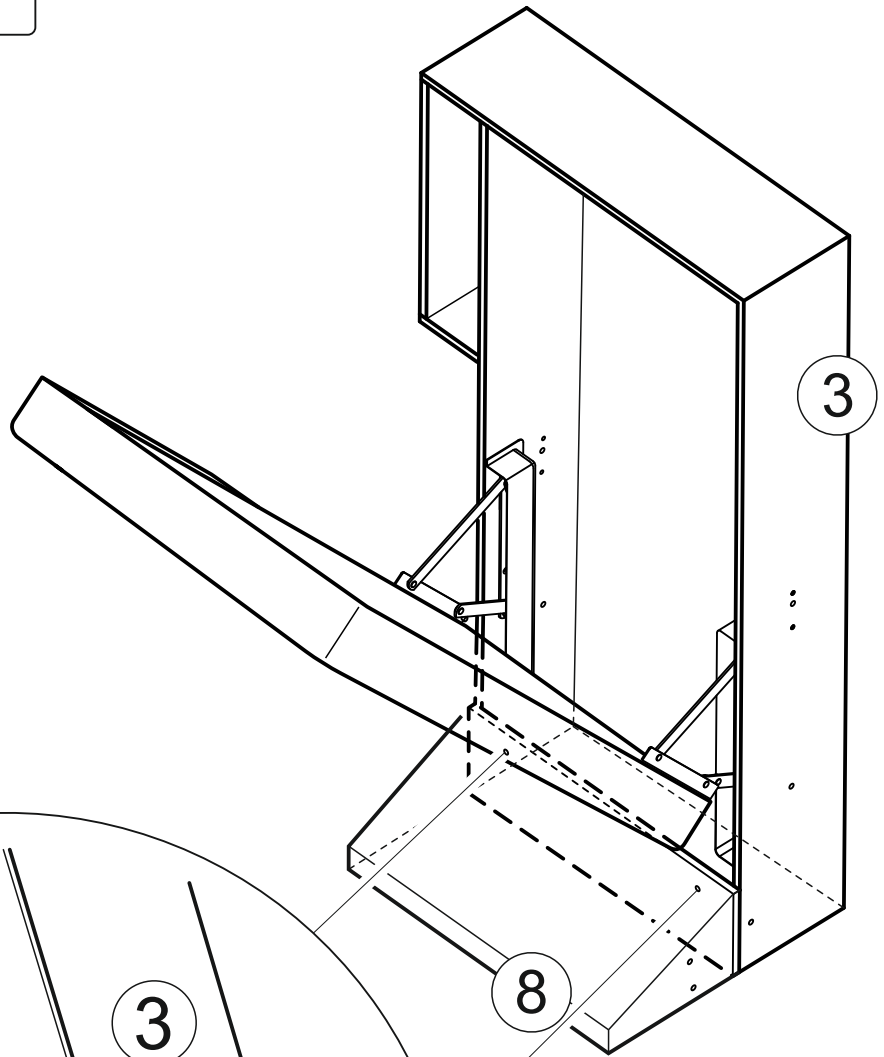
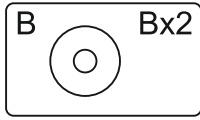
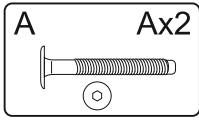


b

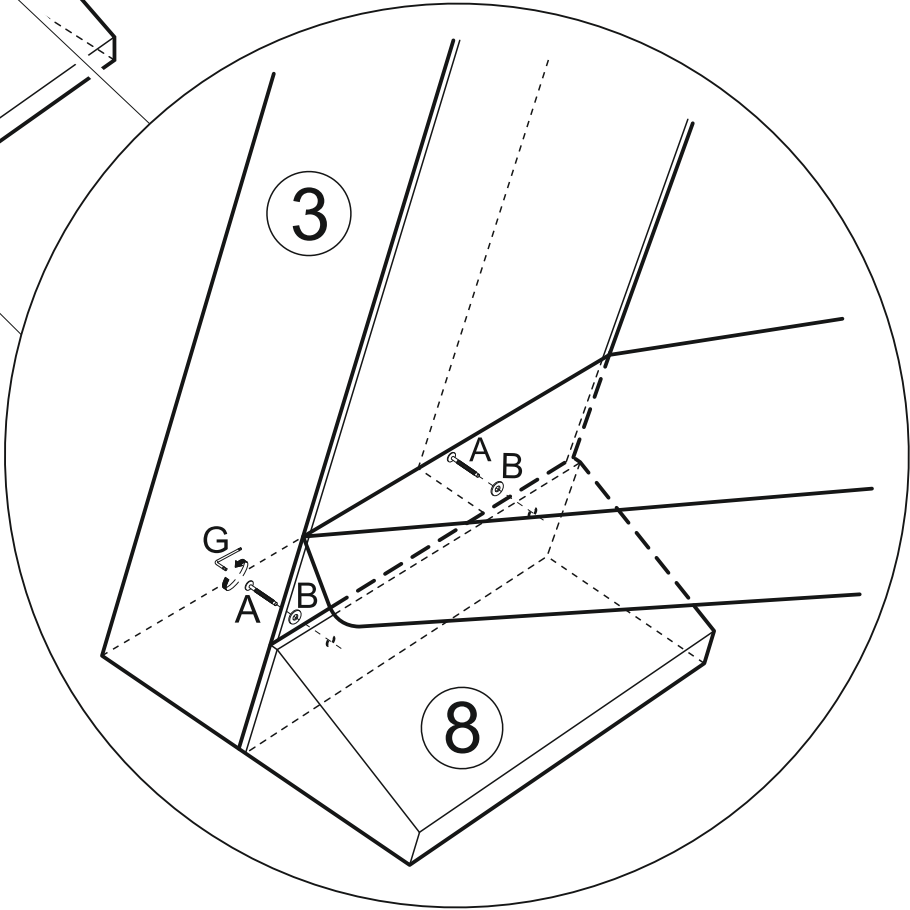
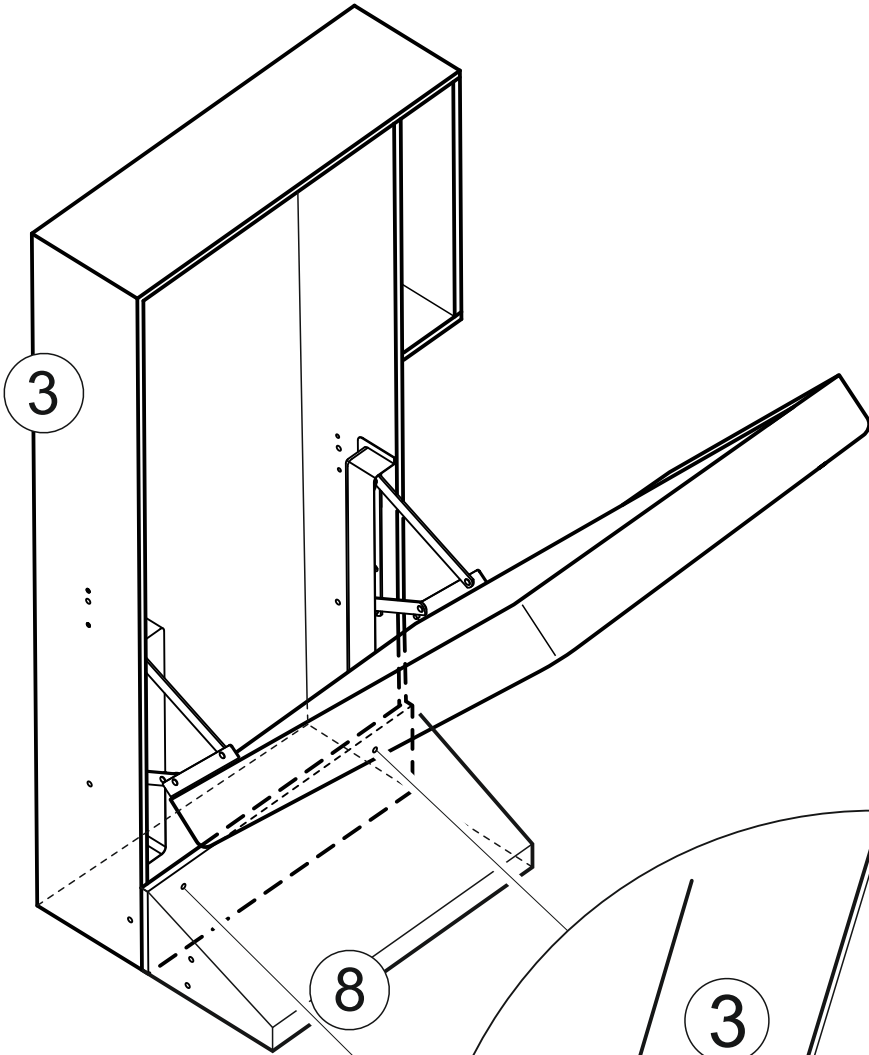
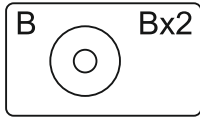
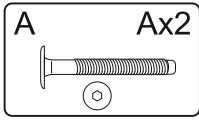


A  Ax10  M6x40	B  Bx10 M8x24	C  C x4	D  D x 11 Felt Feutre
E  E x 3	F  F x 8 M6x20	G  G x 1 M4	H  H x 11 5x40
I  I x 2	J  J x 16	K  K x 2	L  L x 4
M  Mx4			

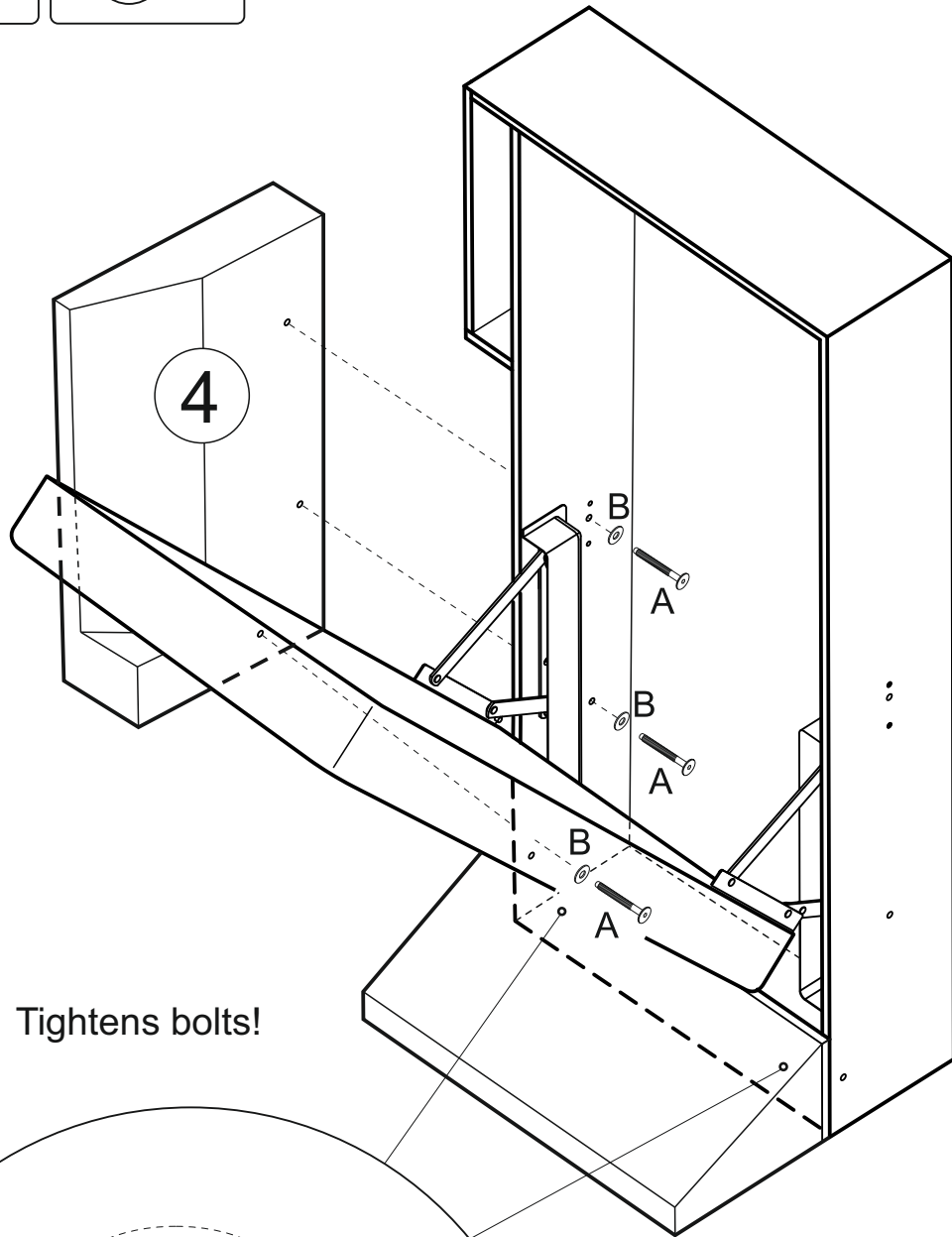
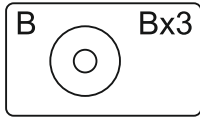
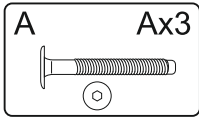
1a



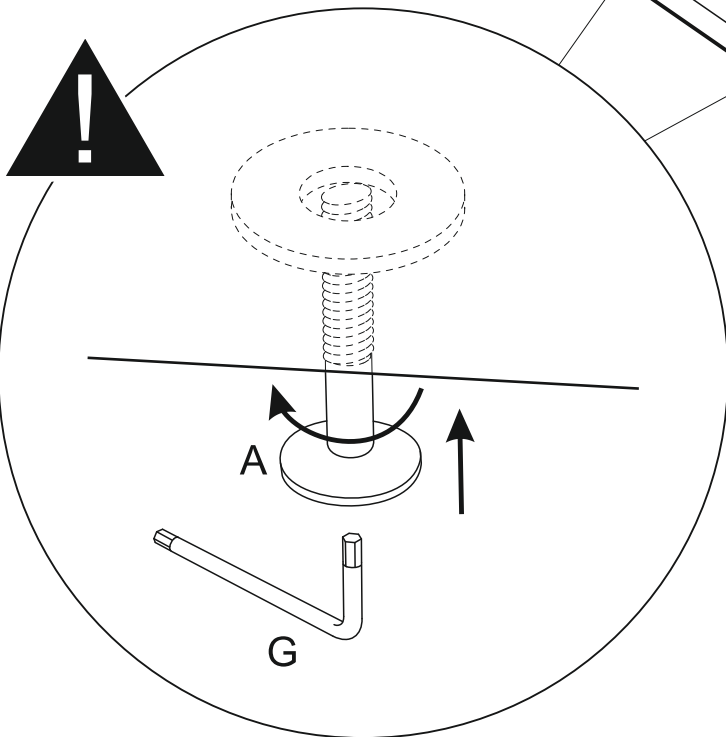
1b



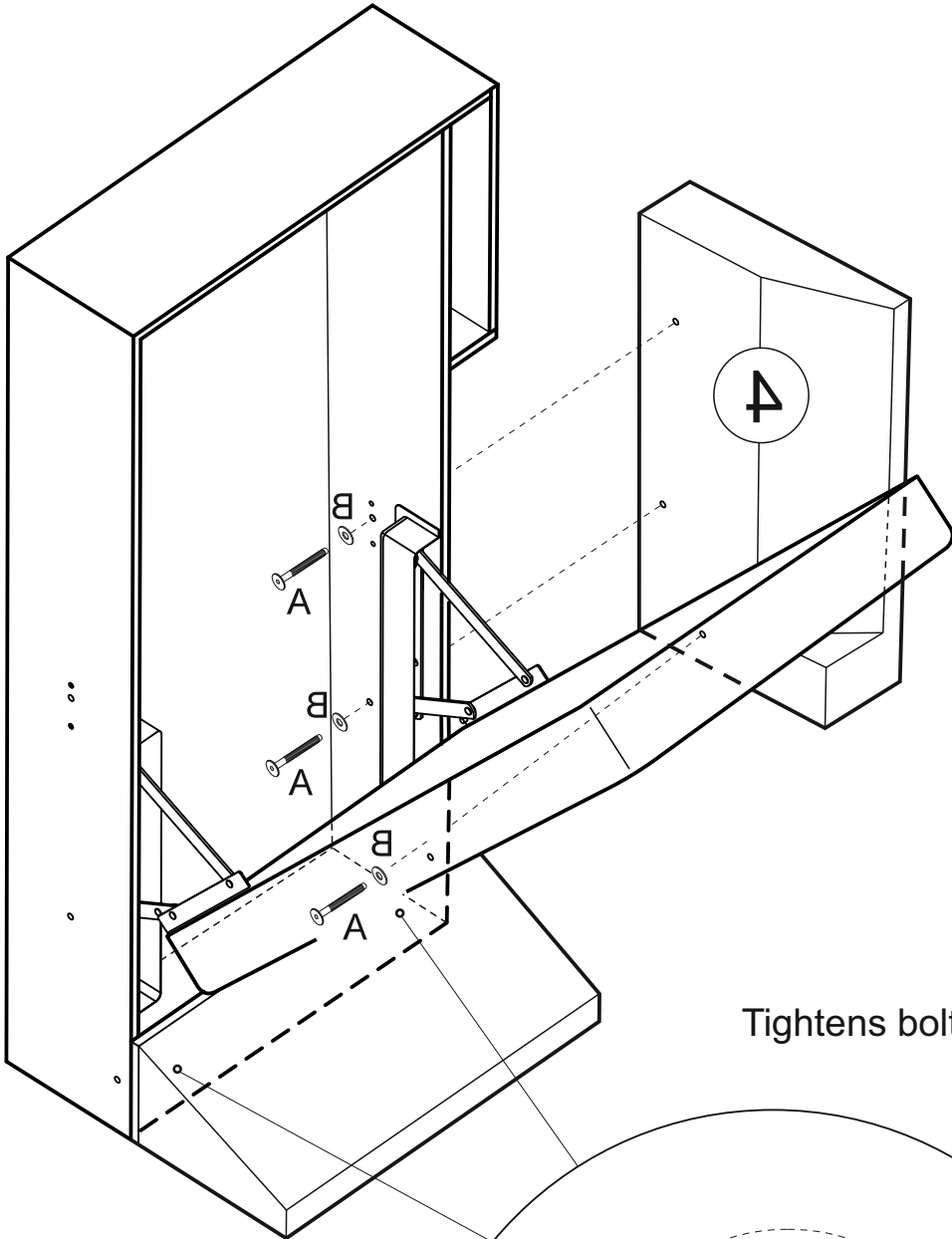
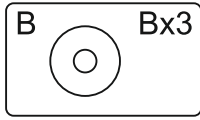
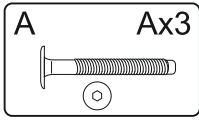
2a



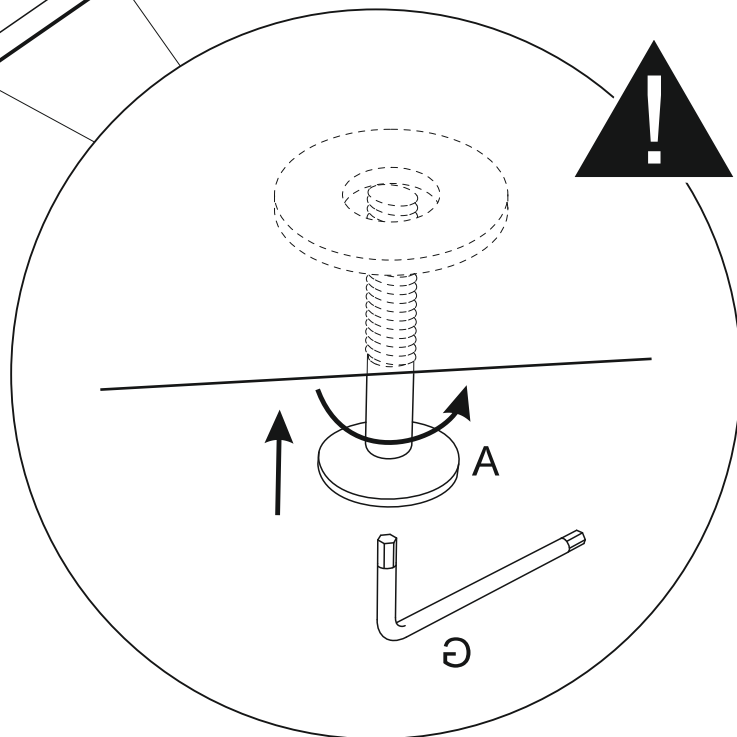
Tightens bolts!



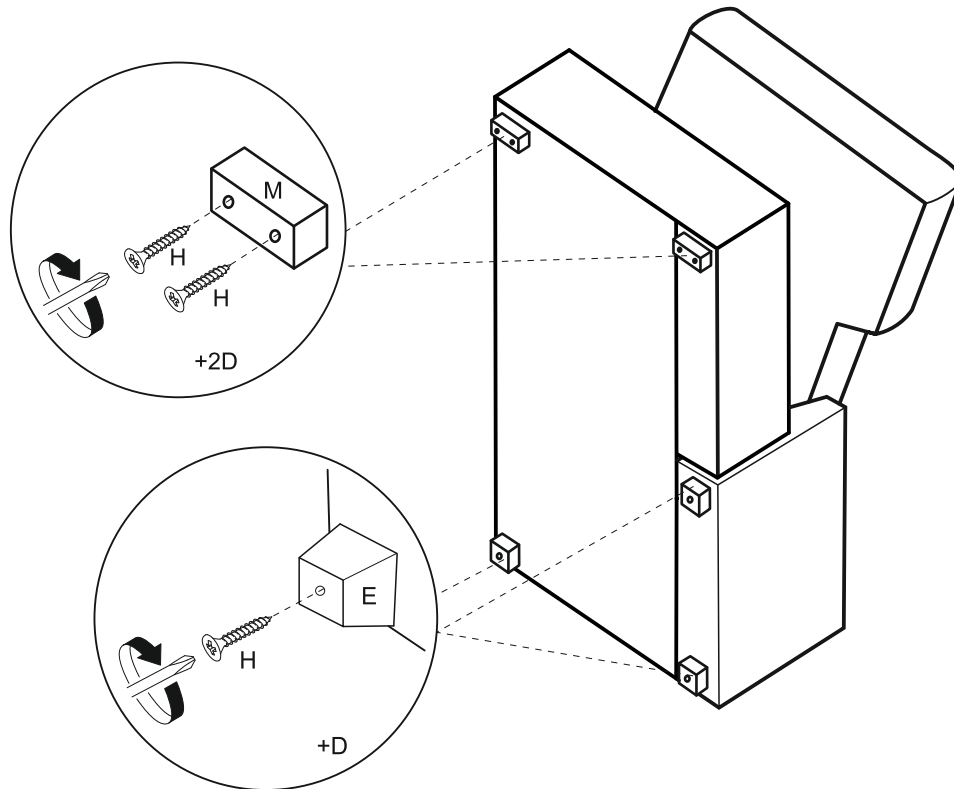
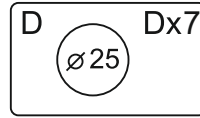
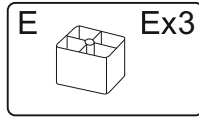
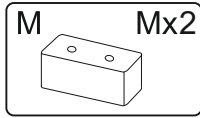
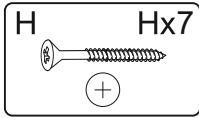
2b



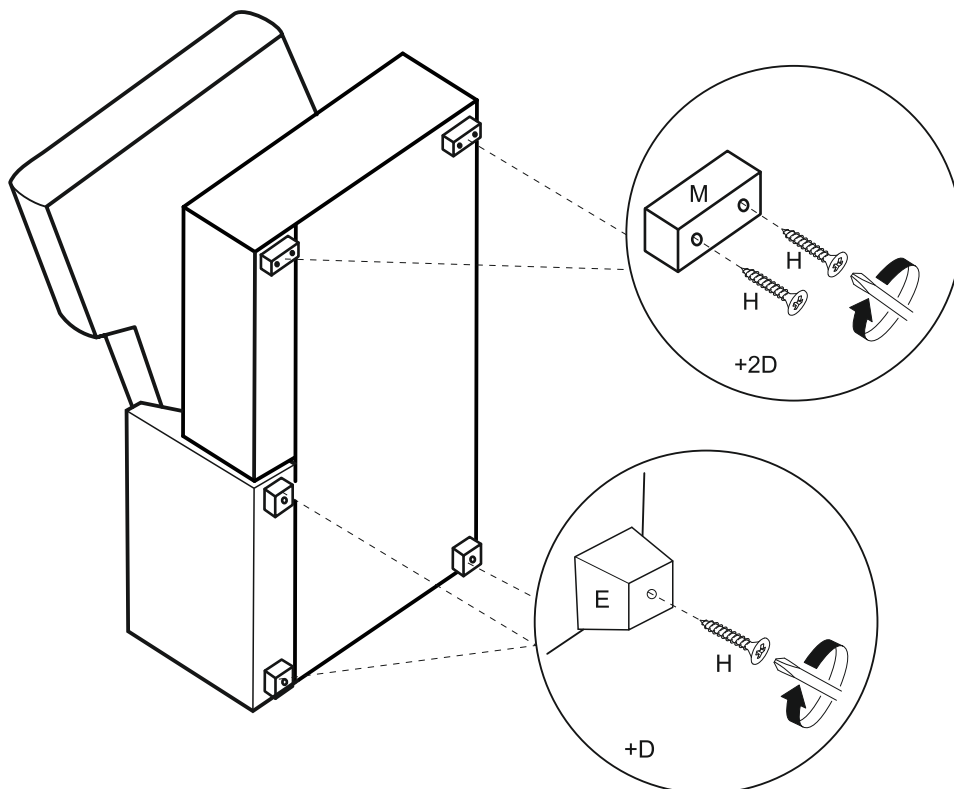
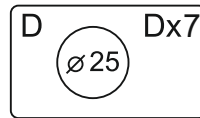
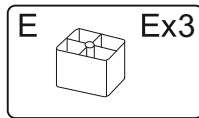
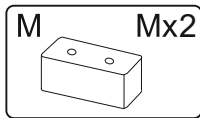
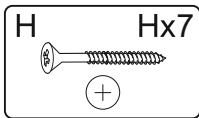
Tightens bolts!



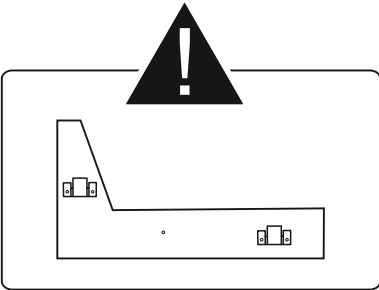
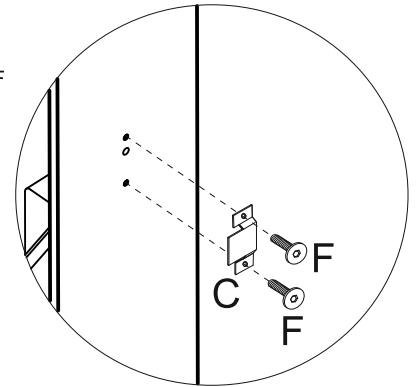
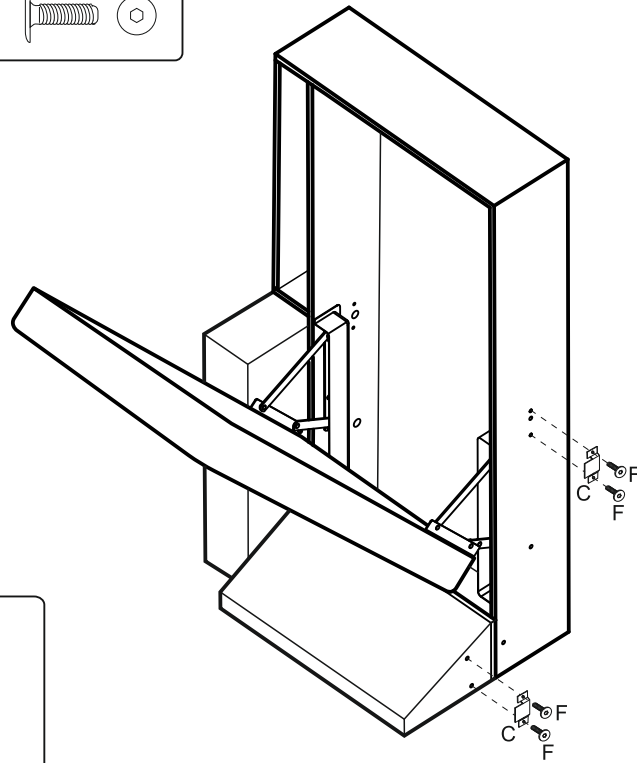
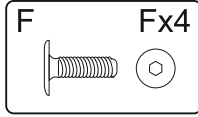
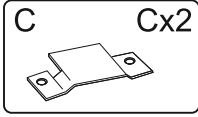
3a



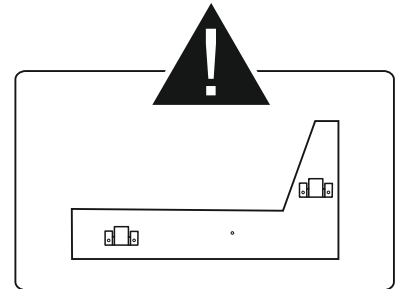
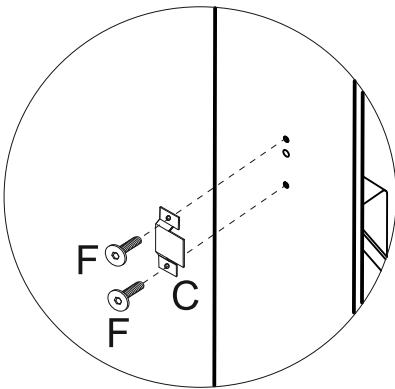
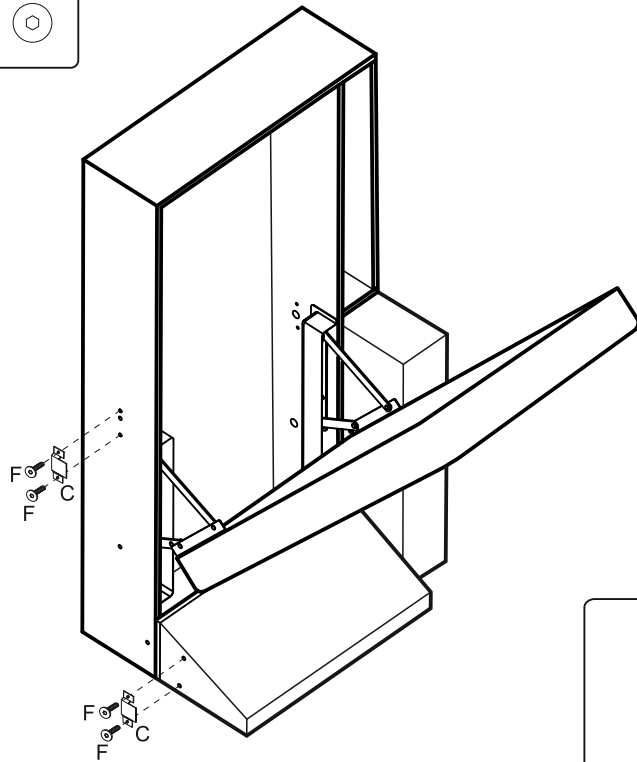
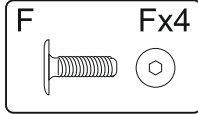
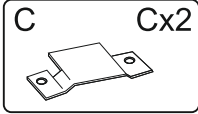
3b



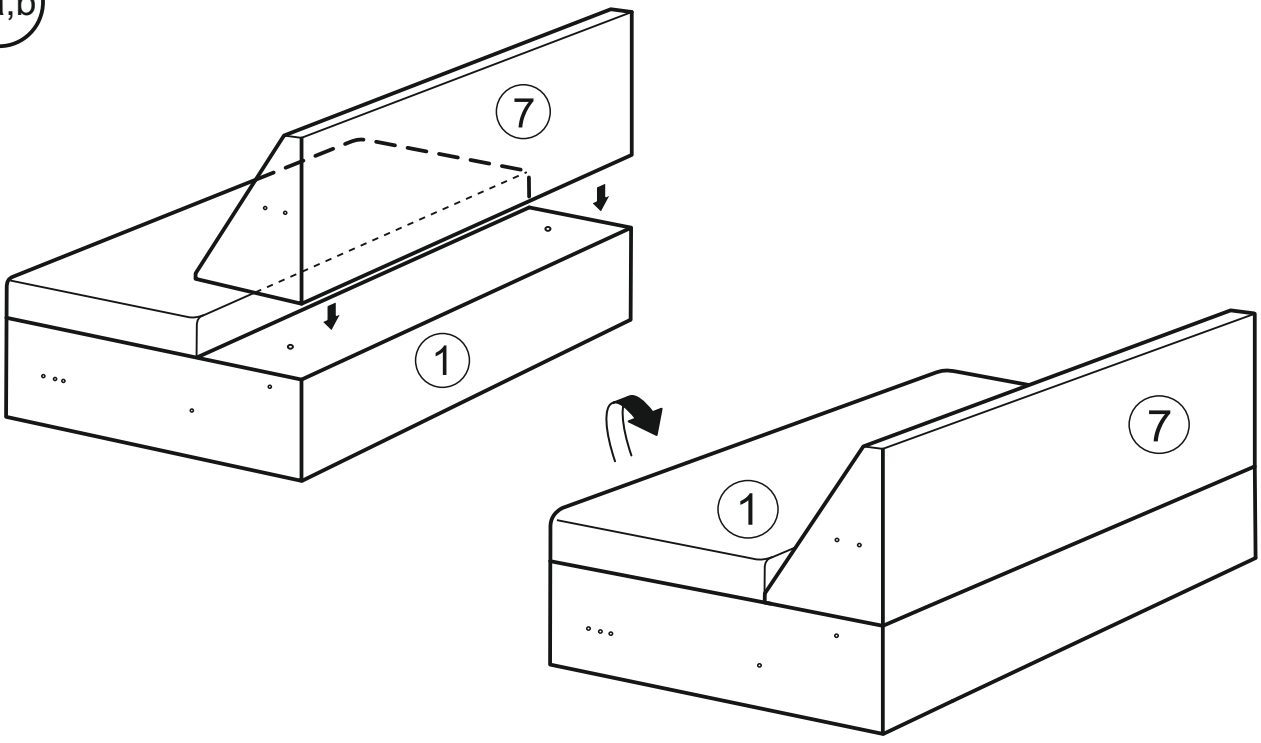
4a



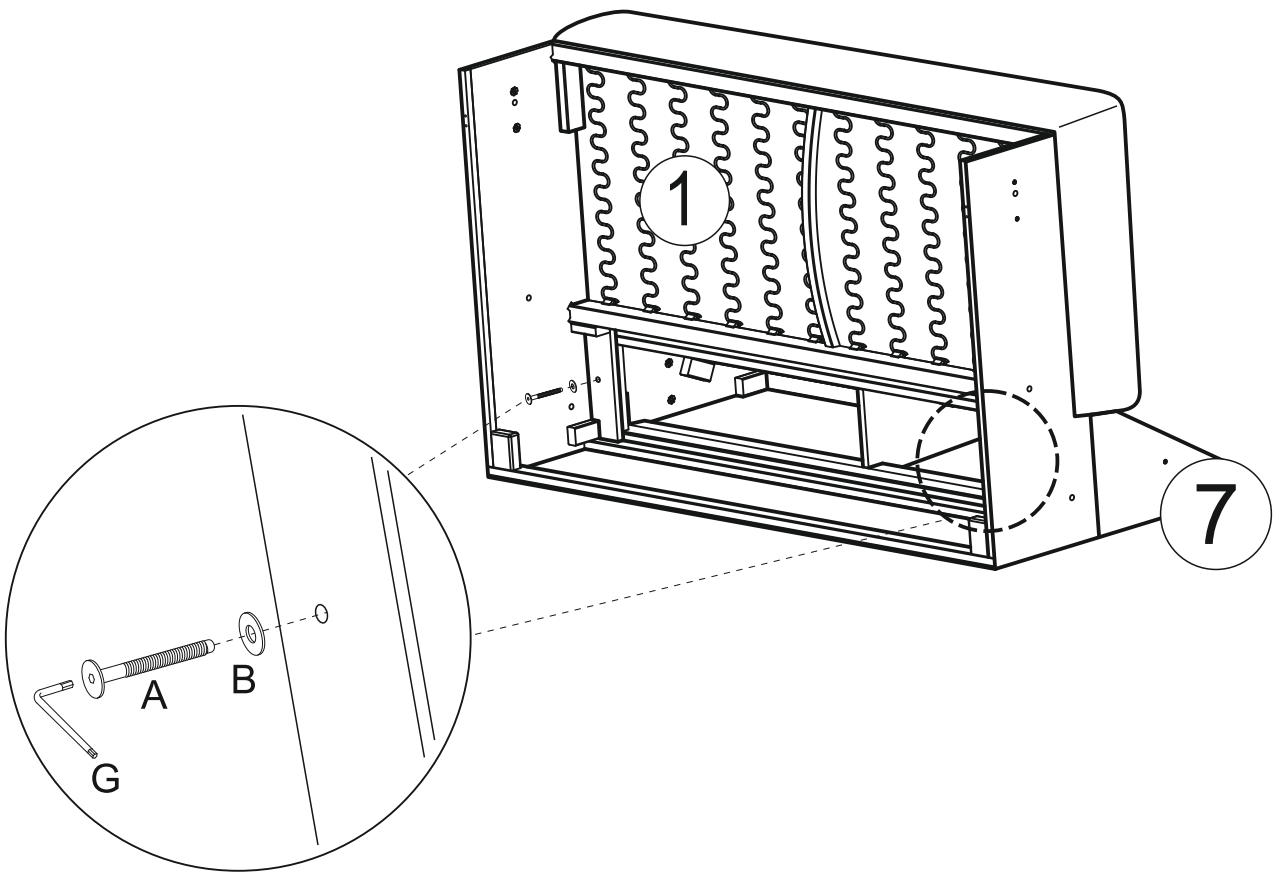
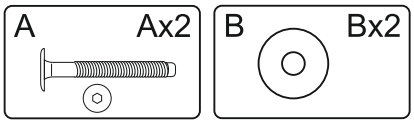
4b



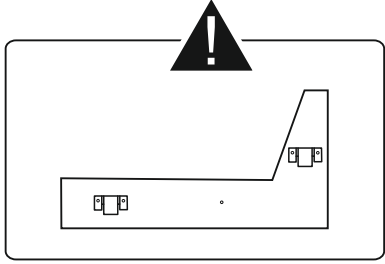
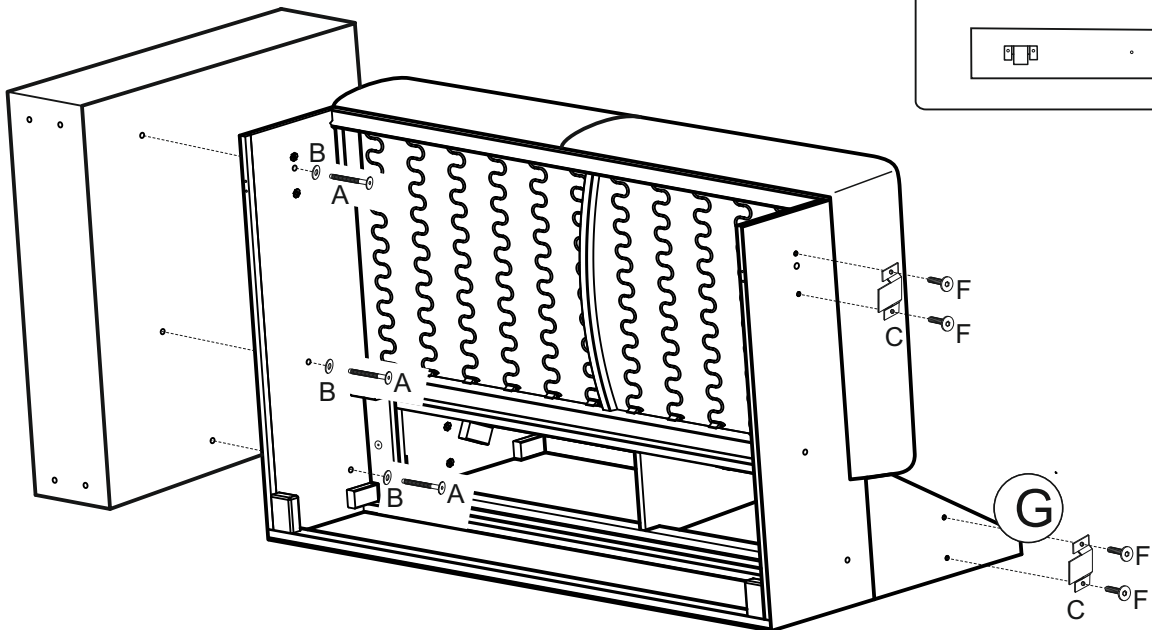
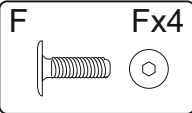
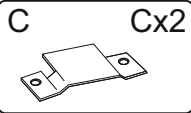
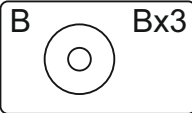
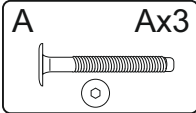
5a,b



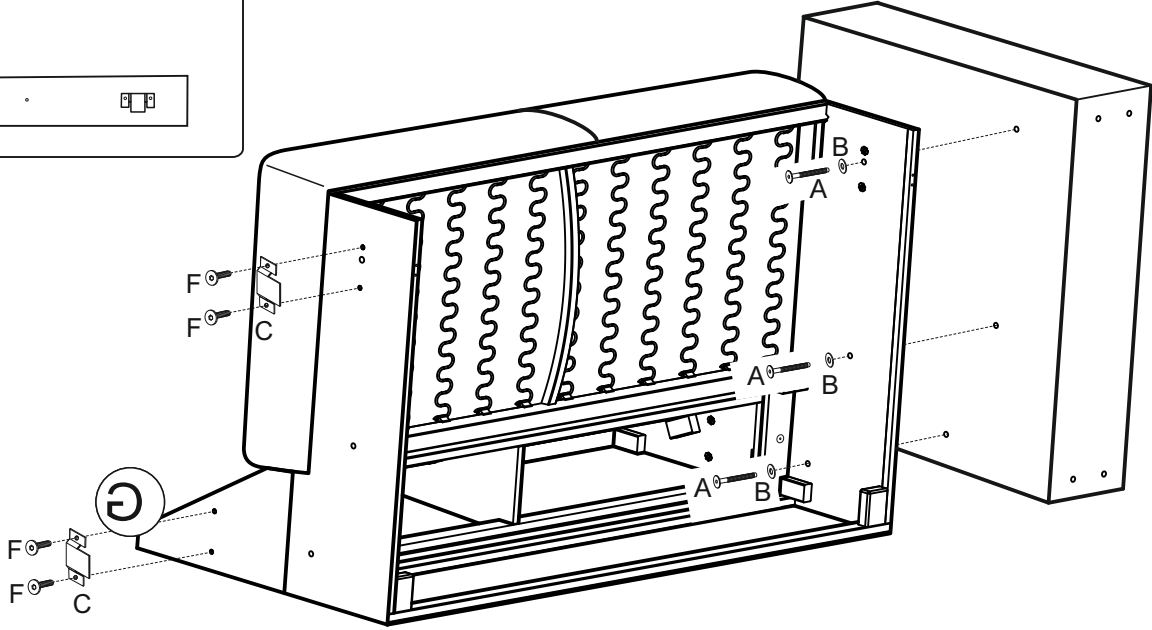
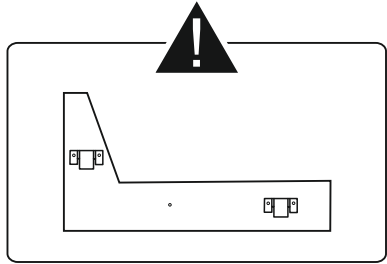
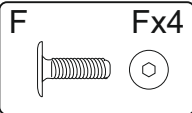
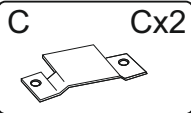
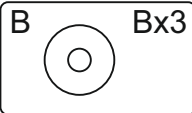
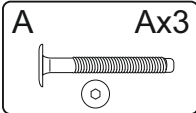
6a,b



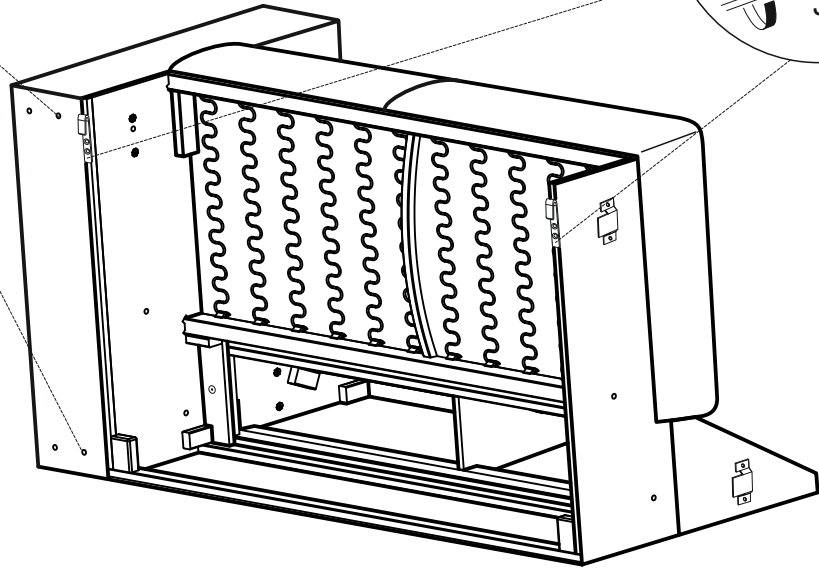
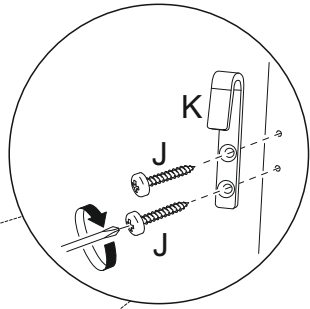
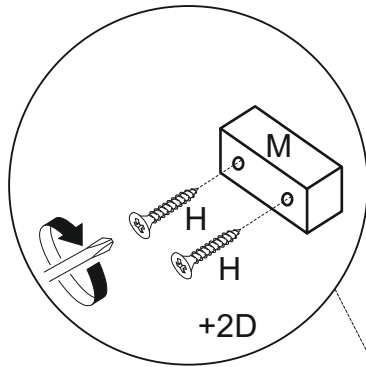
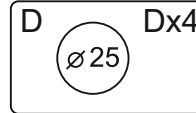
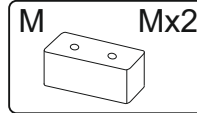
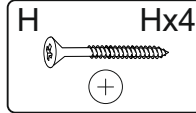
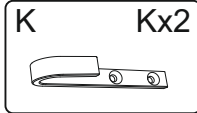
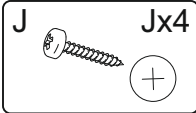
7a



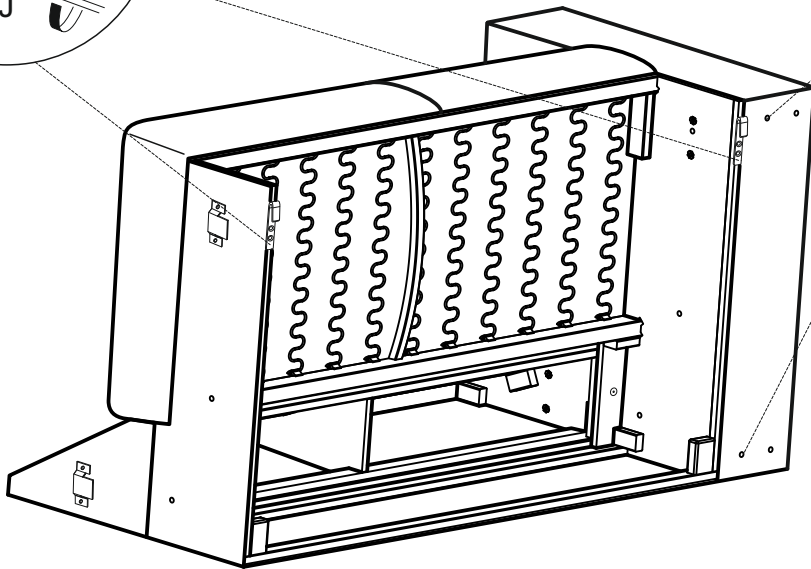
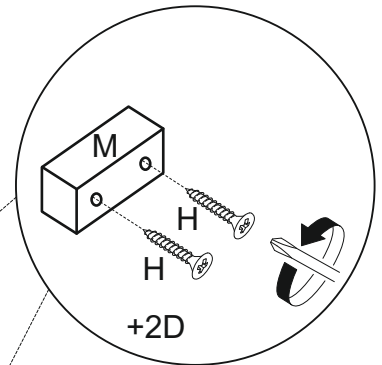
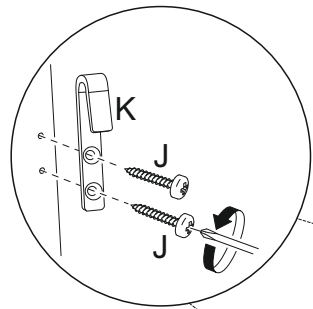
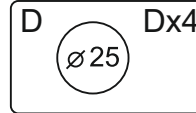
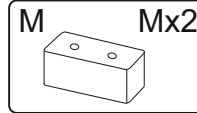
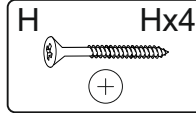
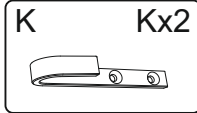
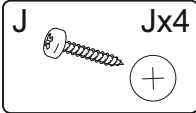
7b



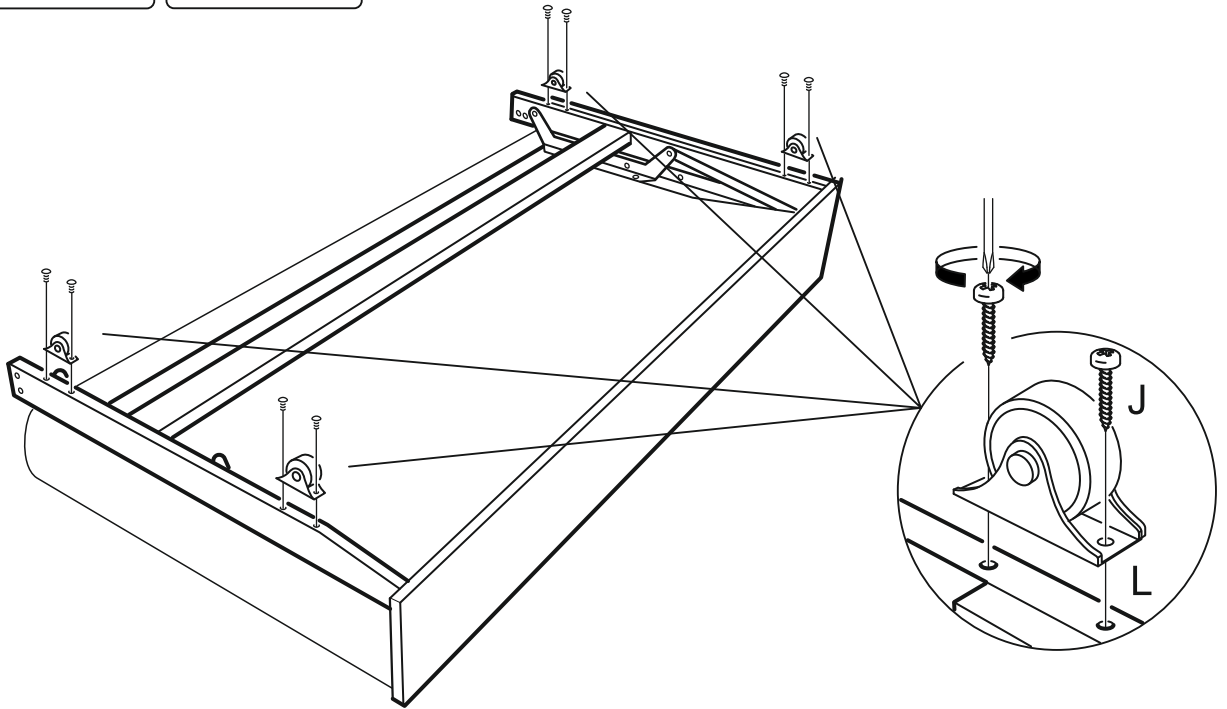
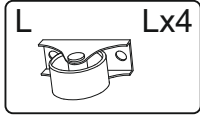
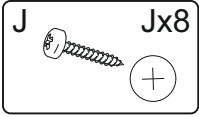
8a



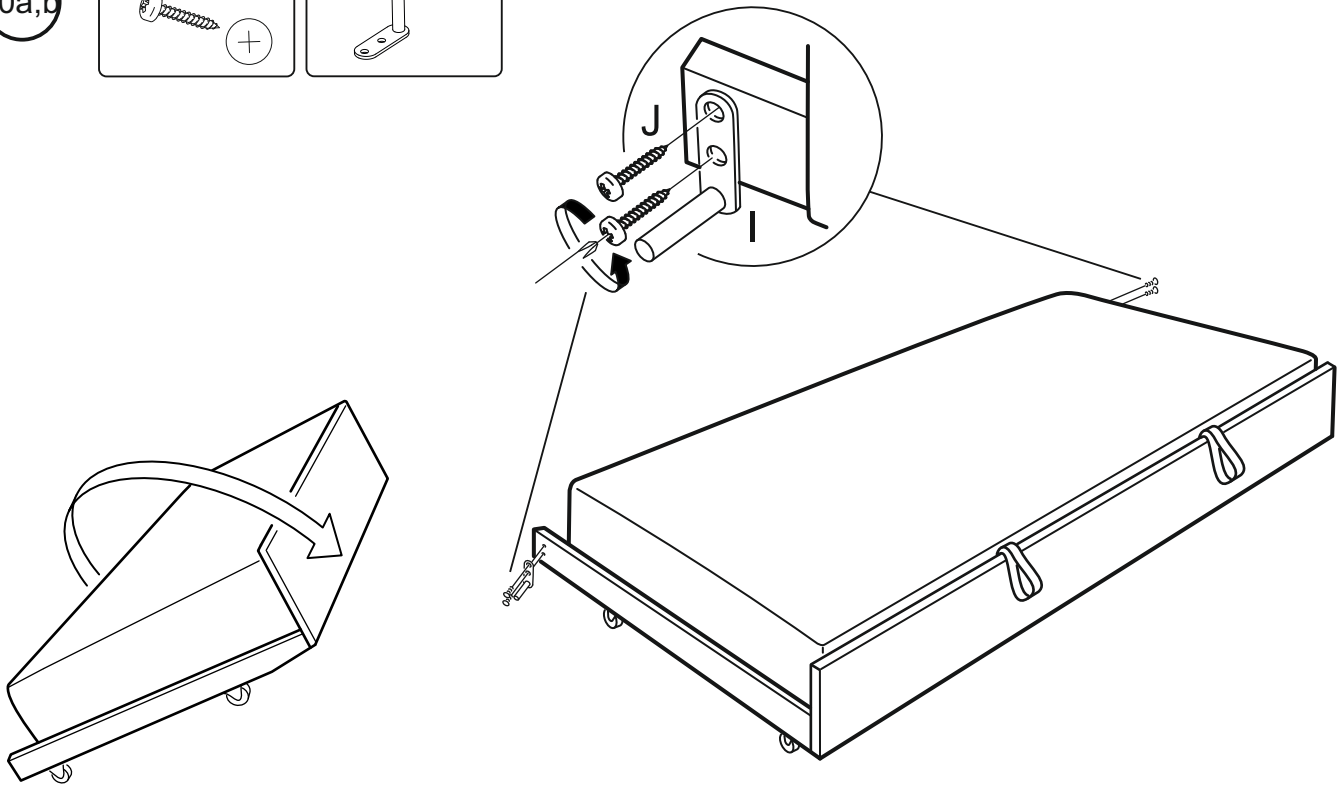
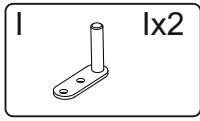
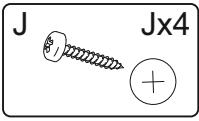
8b



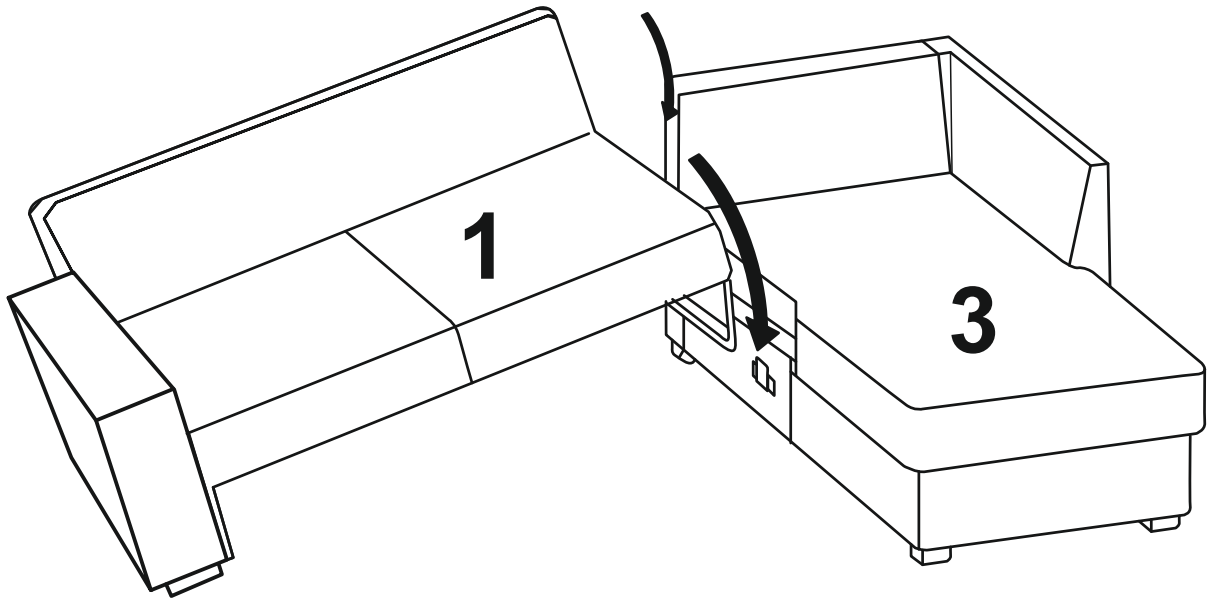
9a,b



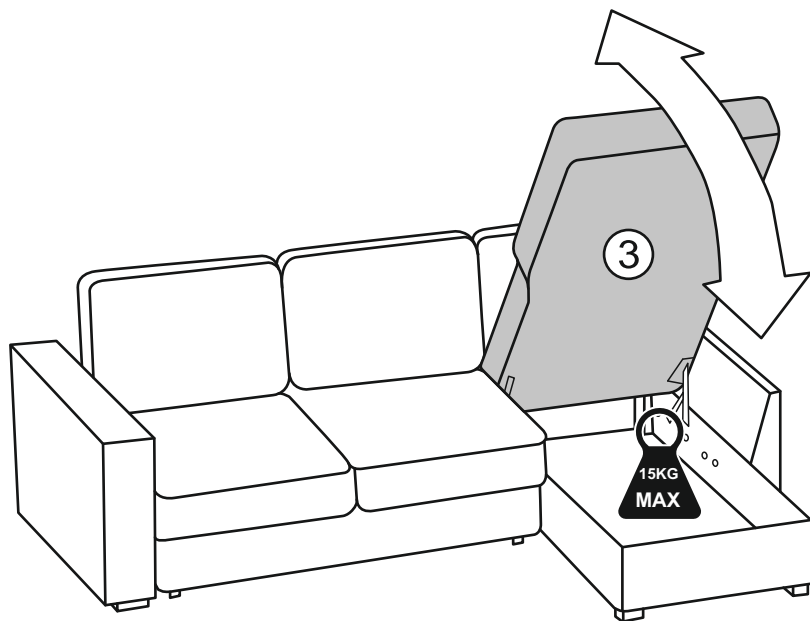
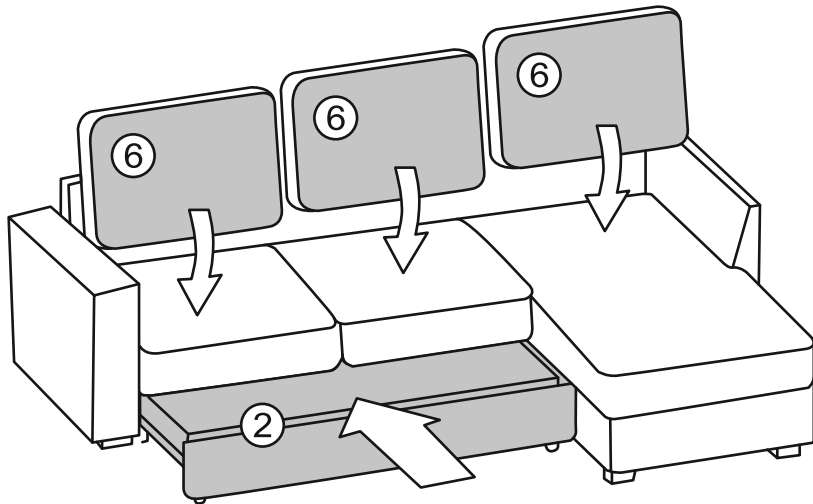
10a,b



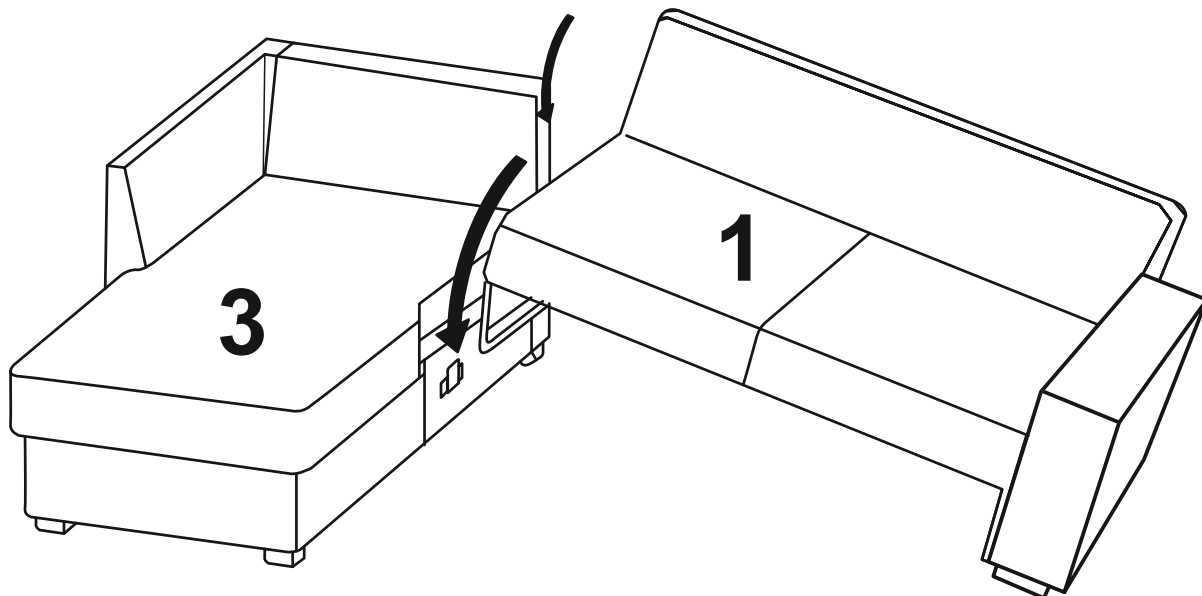
11a



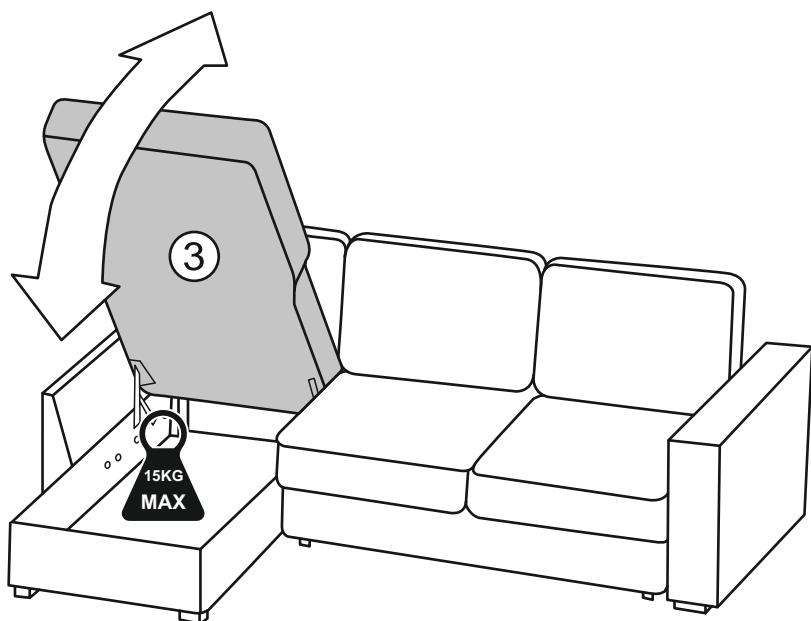
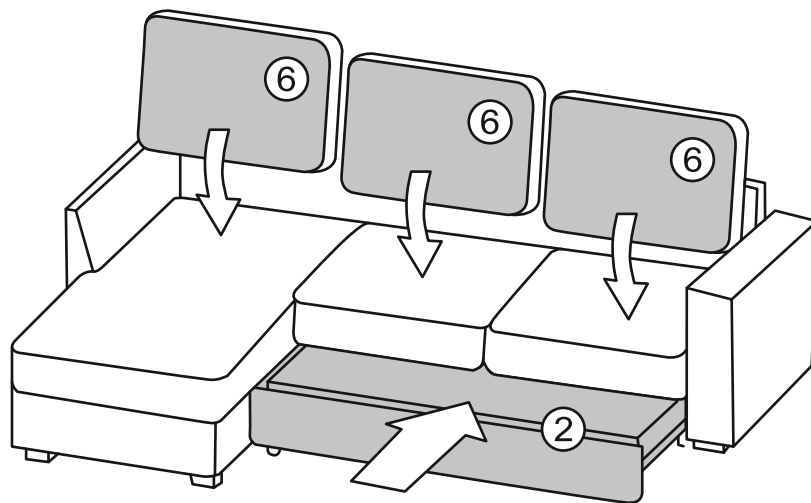
12a



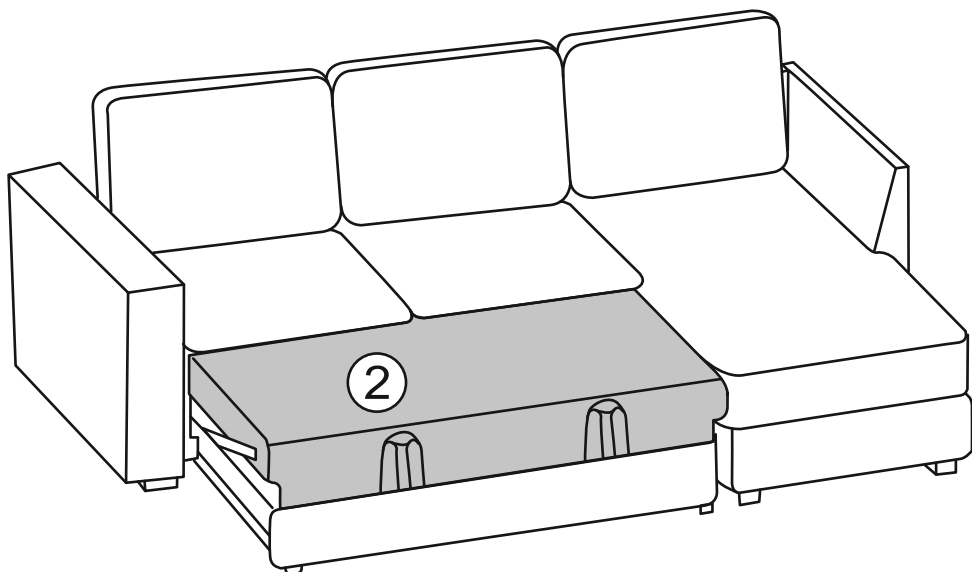
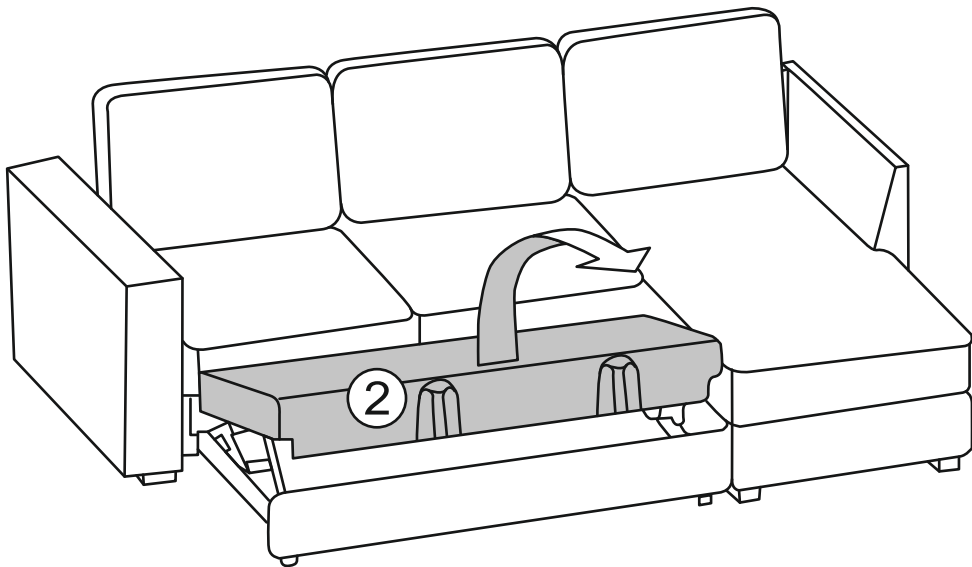
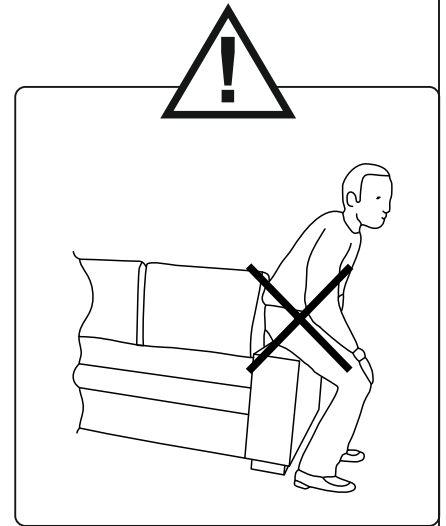
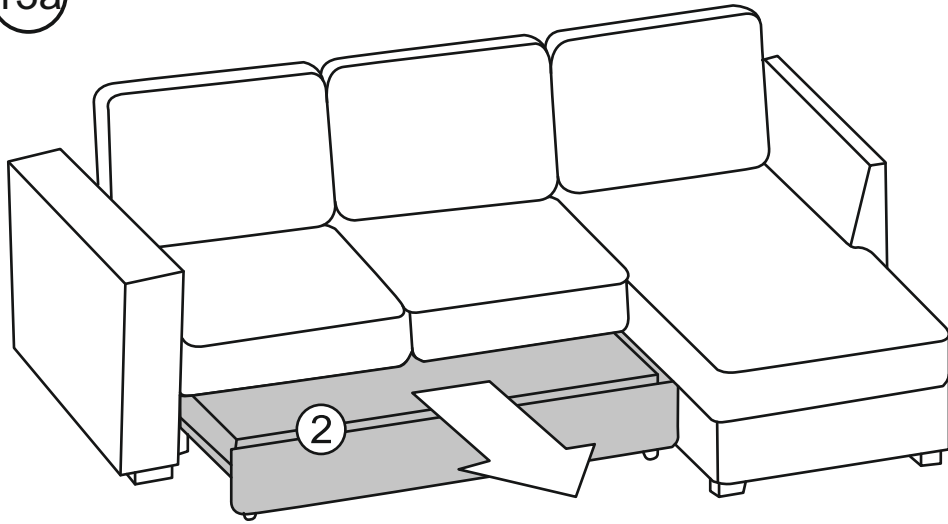
11b



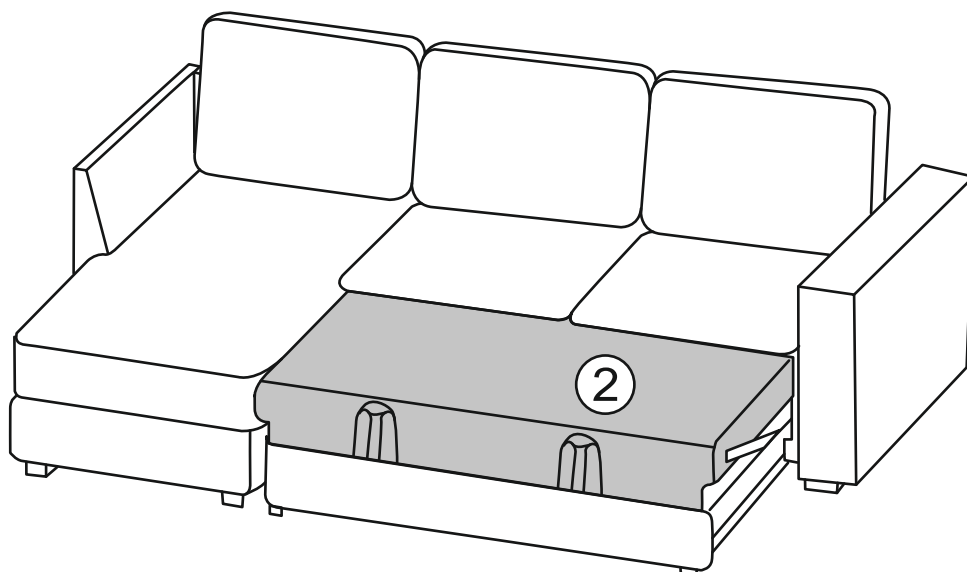
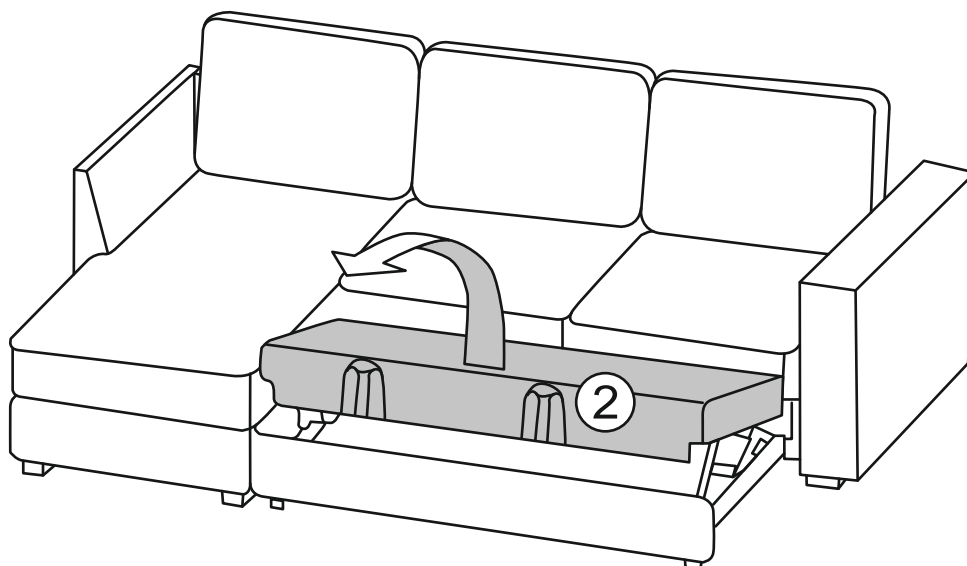
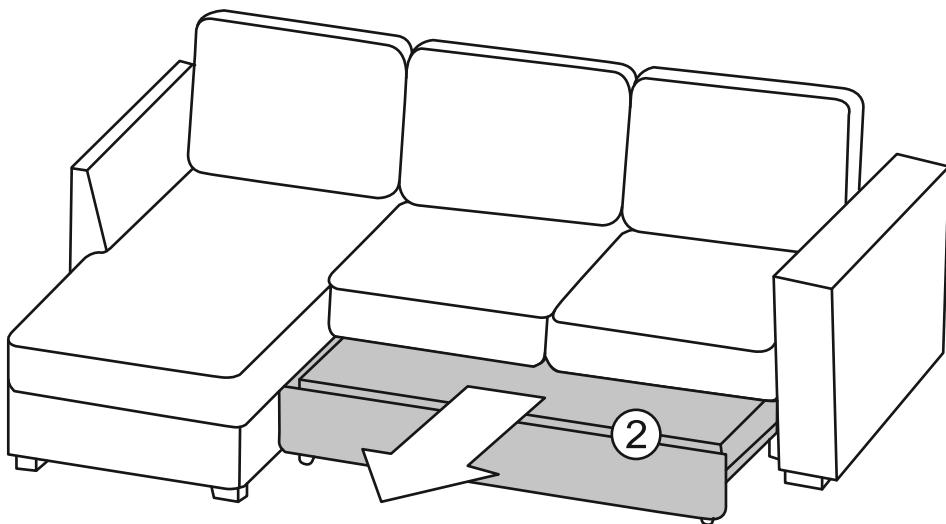
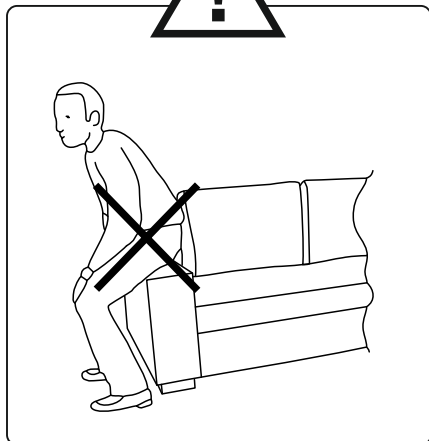
12b



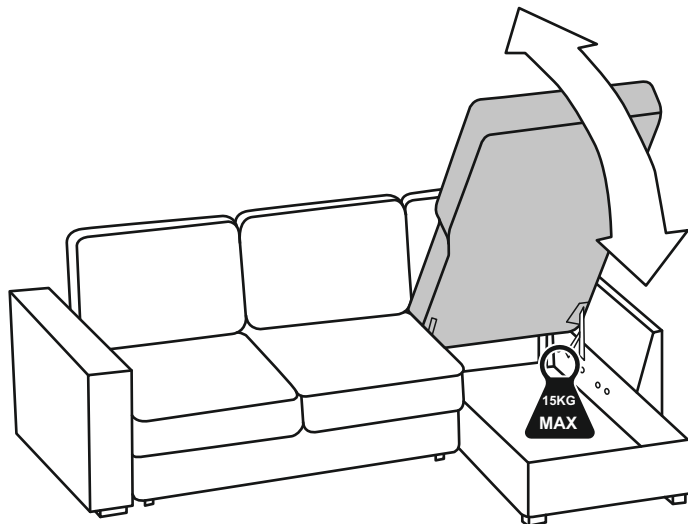
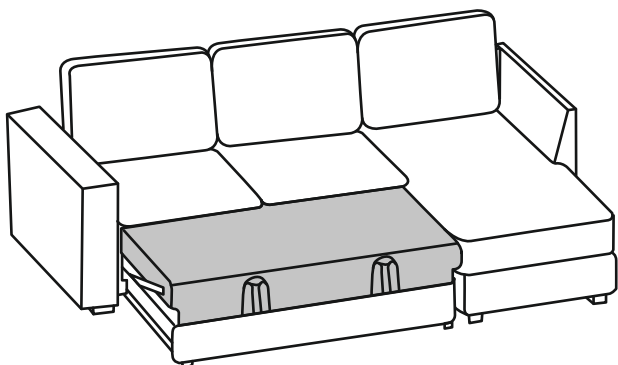
13a



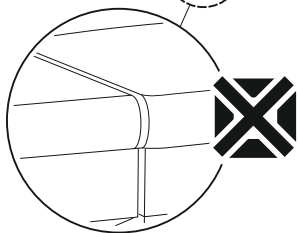
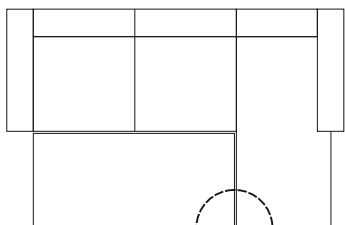
13b



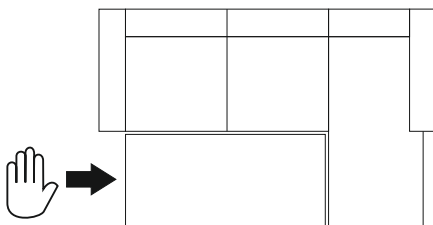
14a



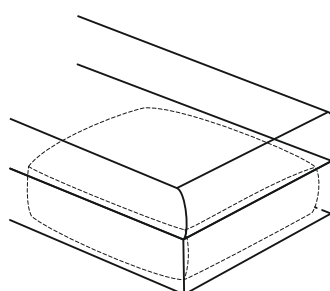
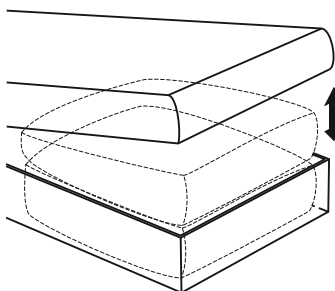
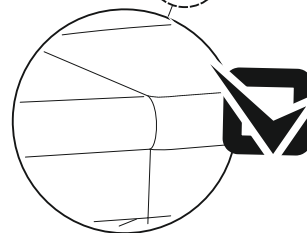
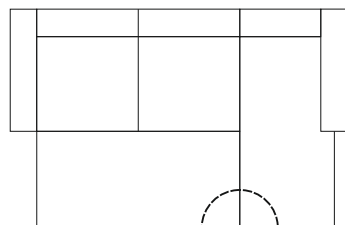
I



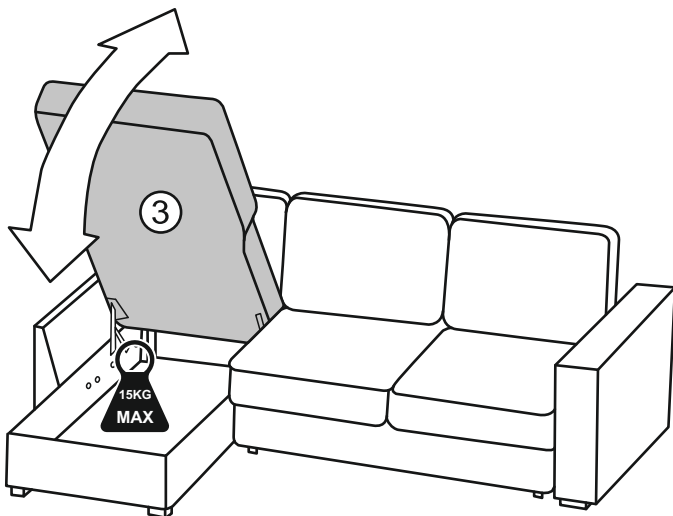
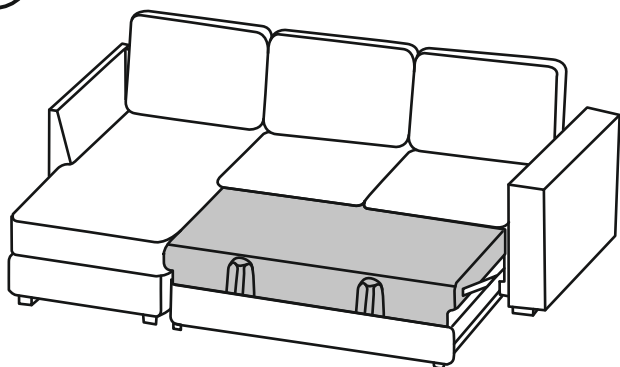
II



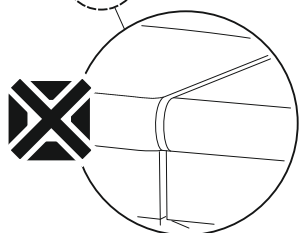
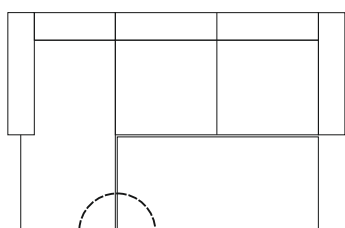
III



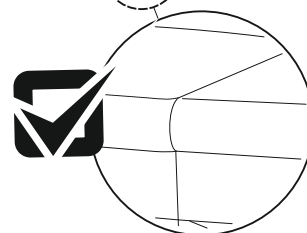
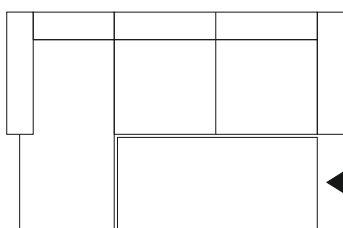
14b



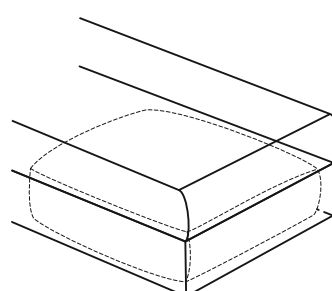
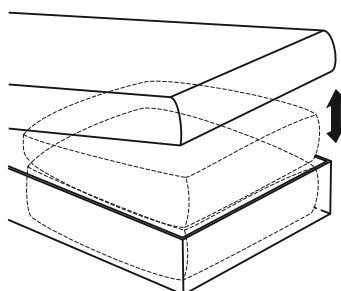
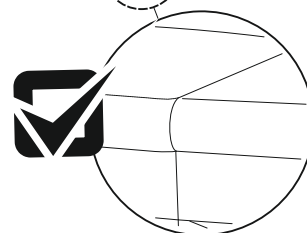
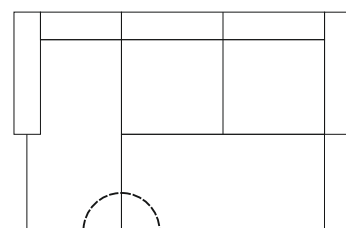
I



II



III



ATTENTION!

