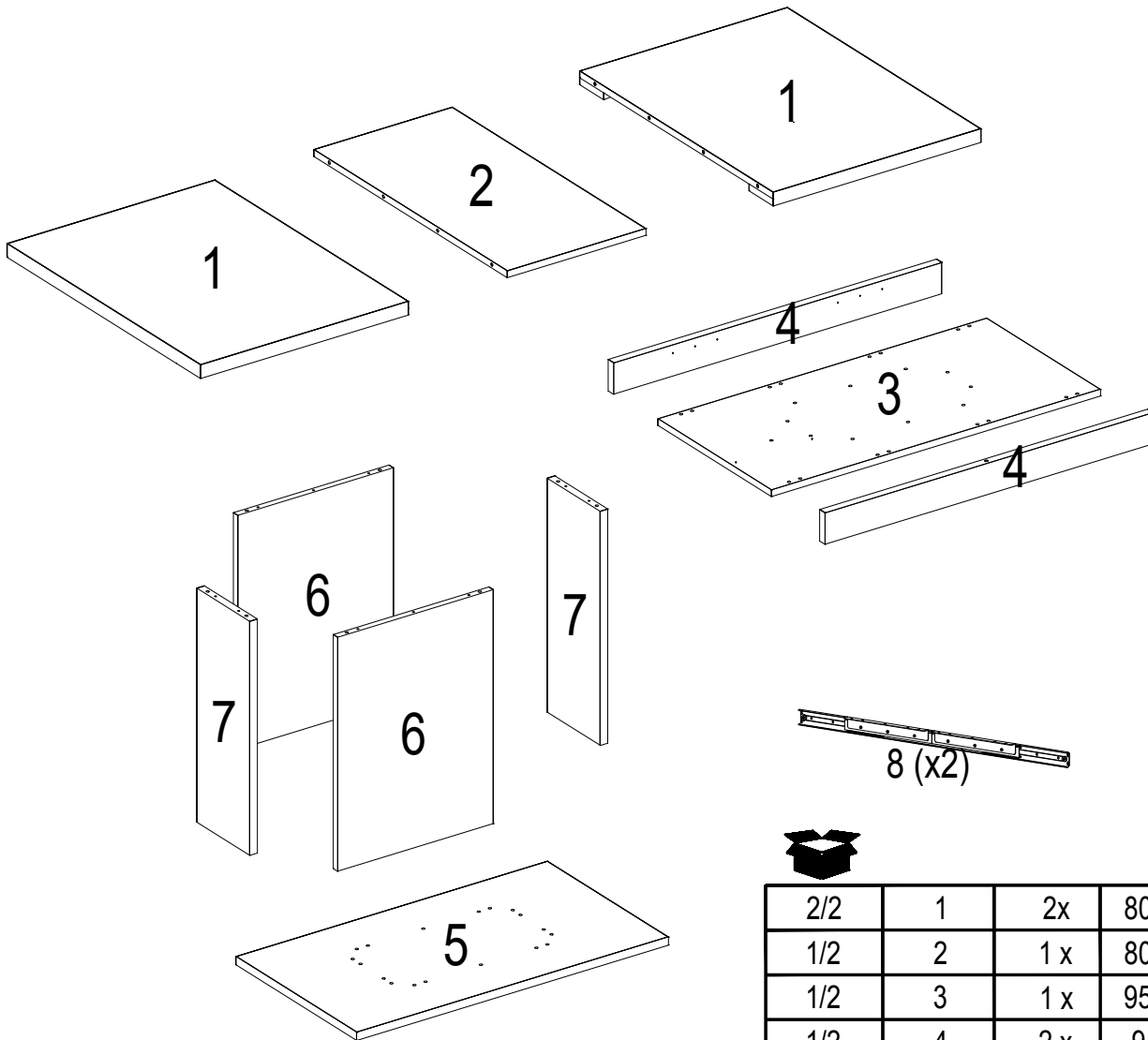
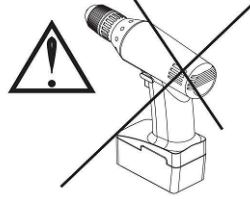
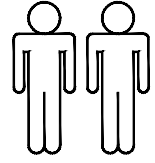
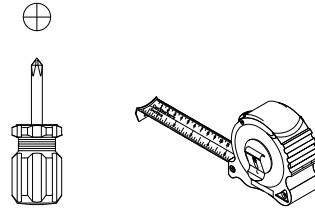
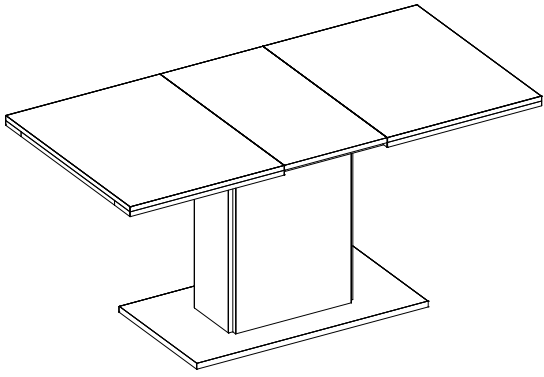


# Ariana

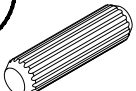
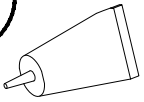
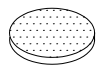


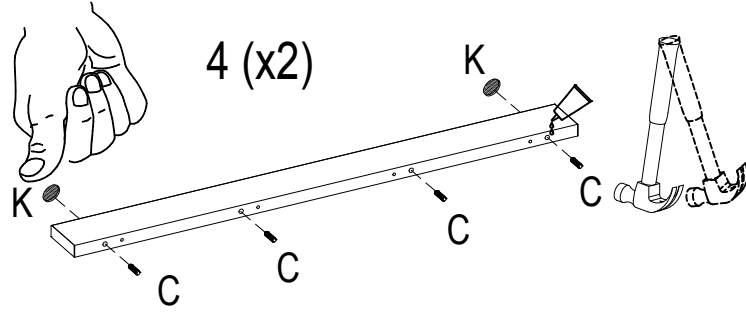
2/2	1	2x	800 x 600 x 36
1/2	2	1 x	800 x 400 x 18
1/2	3	1 x	950 x 470 x 18
1/2	4	2 x	948 x 83 x 22
1/2	5	1 x	900 x 500 x 22
2/2	6	2 x	616 x 450 x 18
1/2	7	2 x	616 x 220 x 22

<b>A</b>	28x	<b>B</b>	18x	<b>C</b>	24x	<b>D</b>	6x	<b>E</b>	2x	<b>F</b>	1x
<b>G</b>	4x	<b>H</b>	44x	<b>I</b>	8x	<b>J</b>	8x	<b>K</b>	6x		


I.

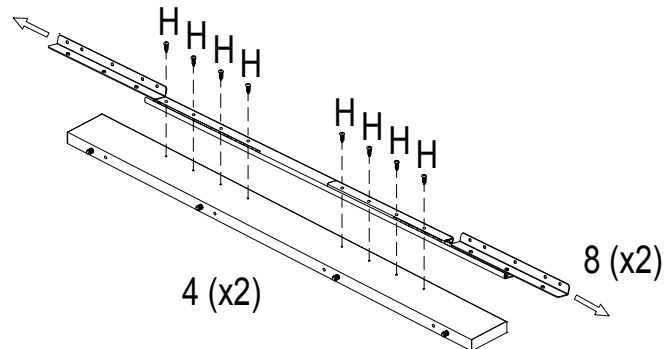
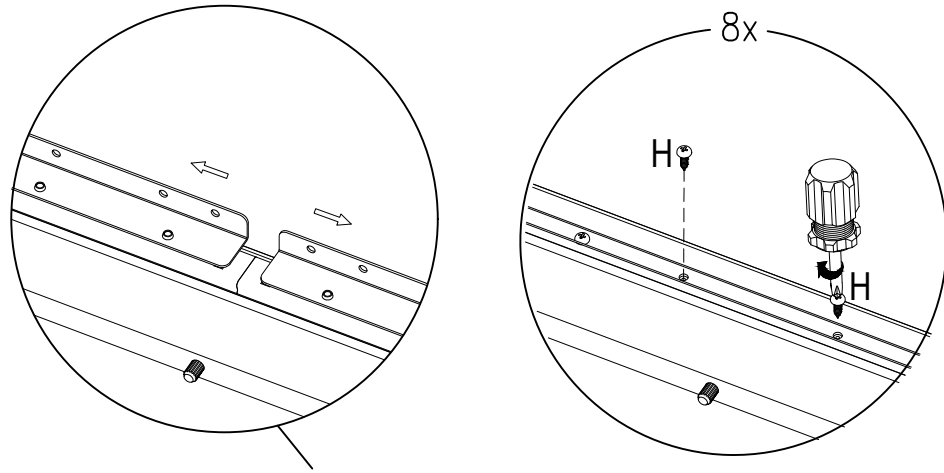
1.

C		8x30
	<b>8x</b>	
E		
	<b>1x</b>	
K		Ø20
	<b>4x</b>	



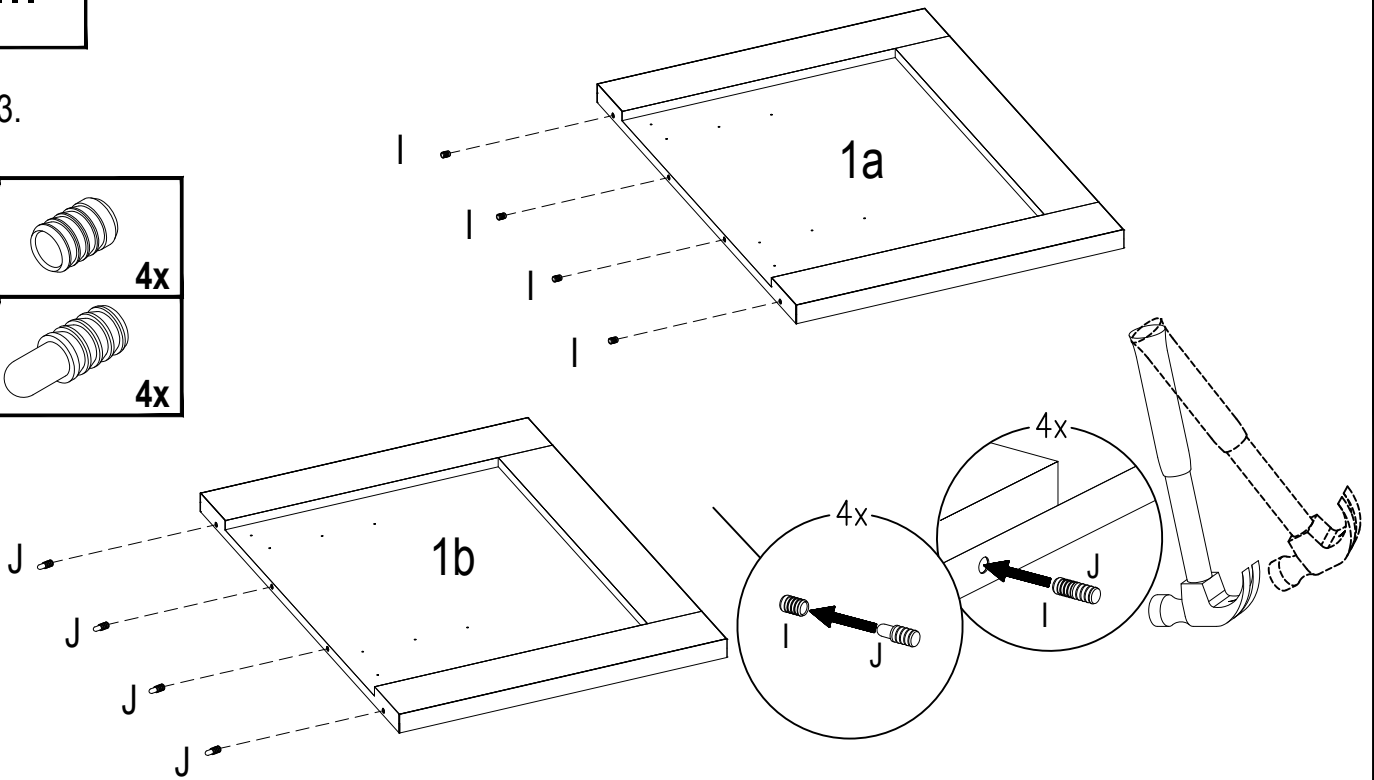
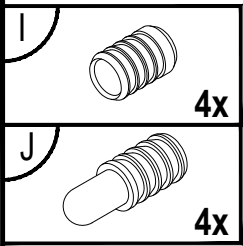
2.

H		Ø3,5x16
	<b>16x</b>	

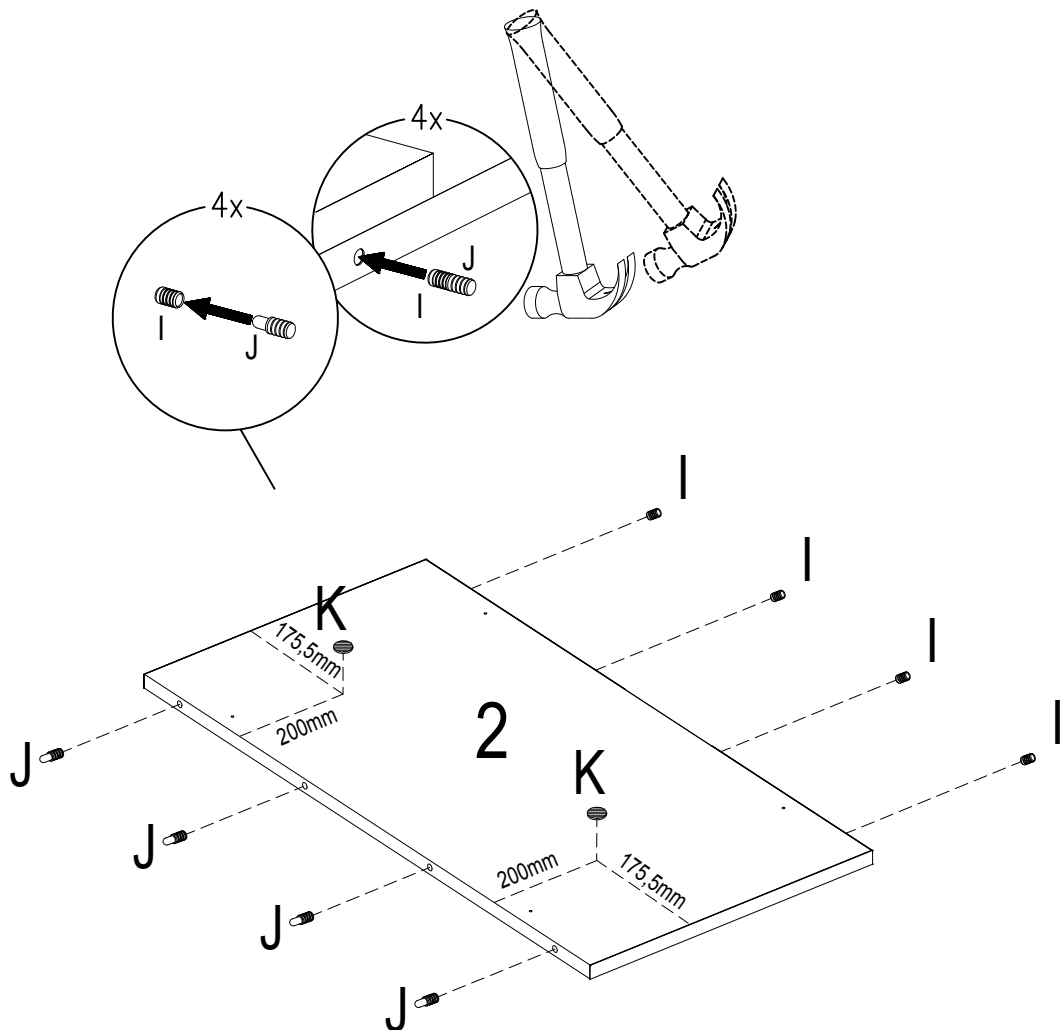
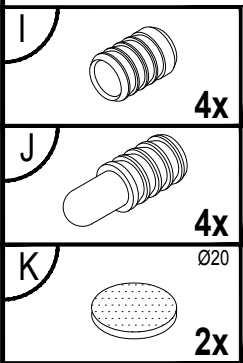


II.

3.

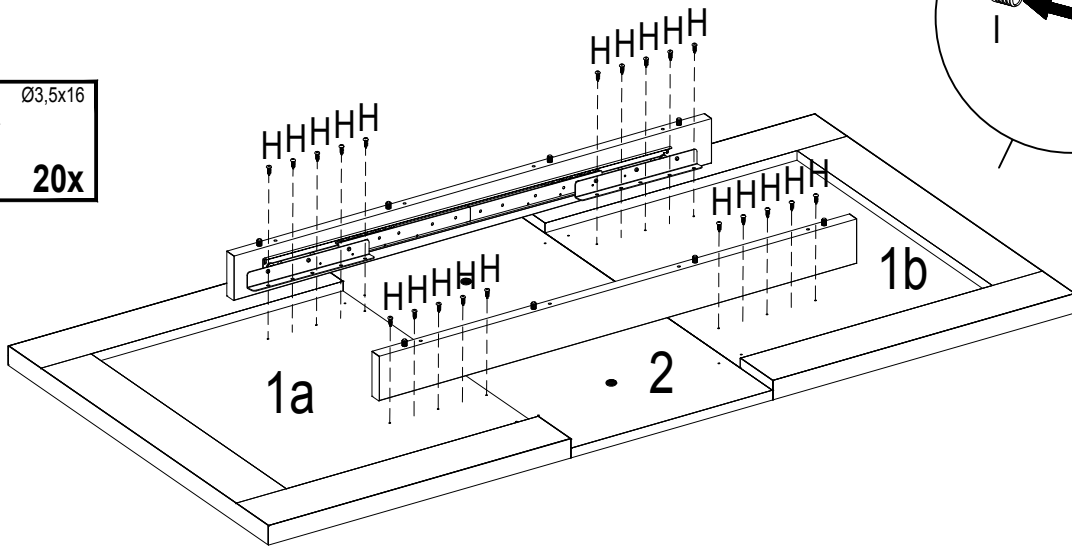
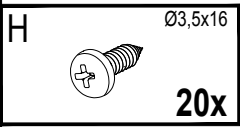


4.

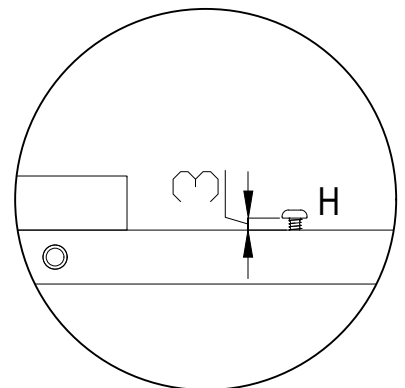
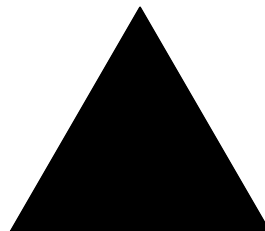
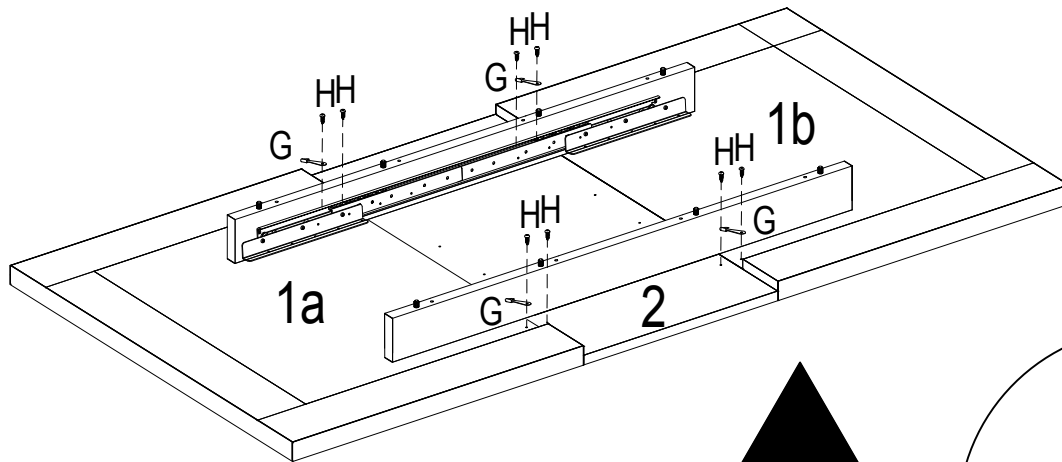
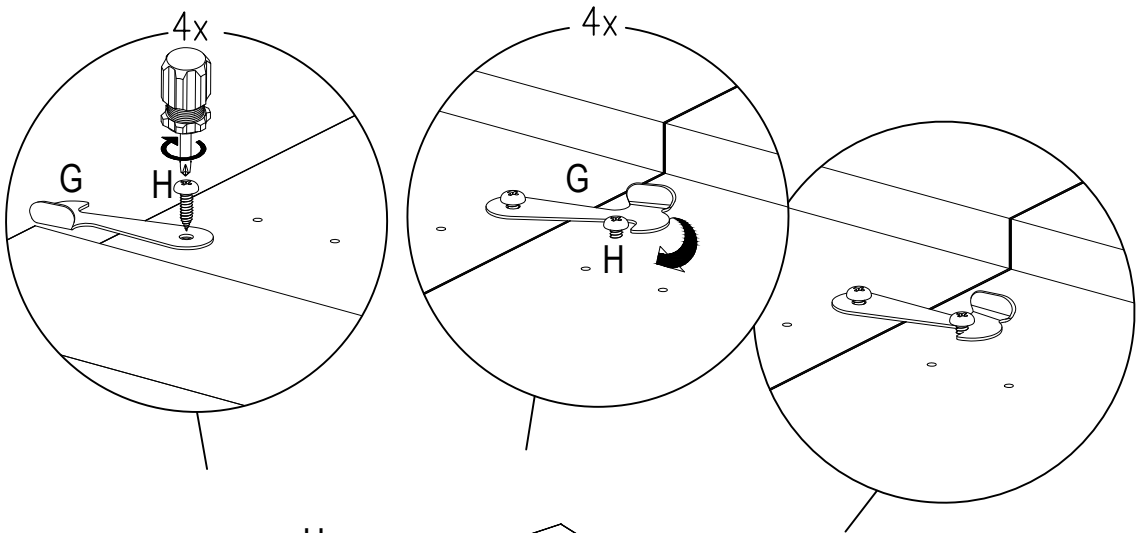
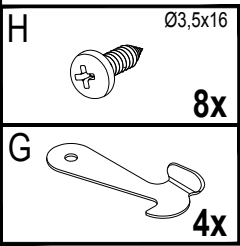


III.

5.

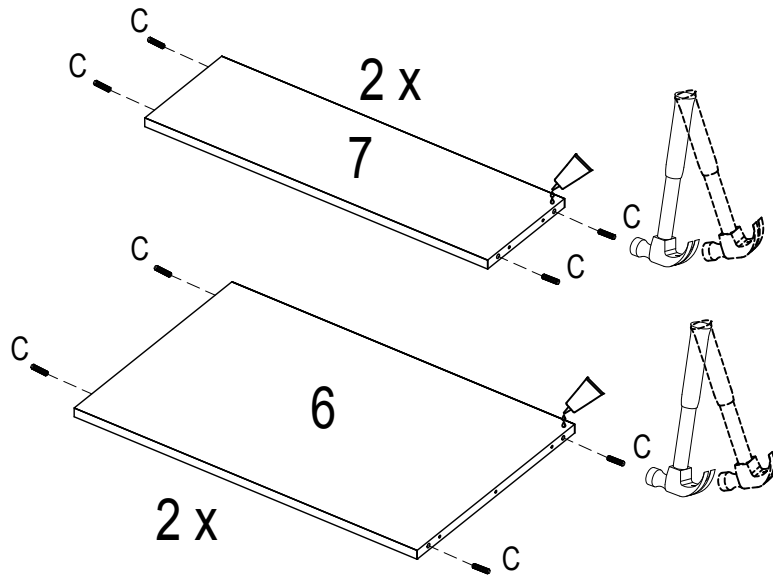
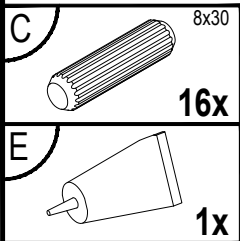


6.

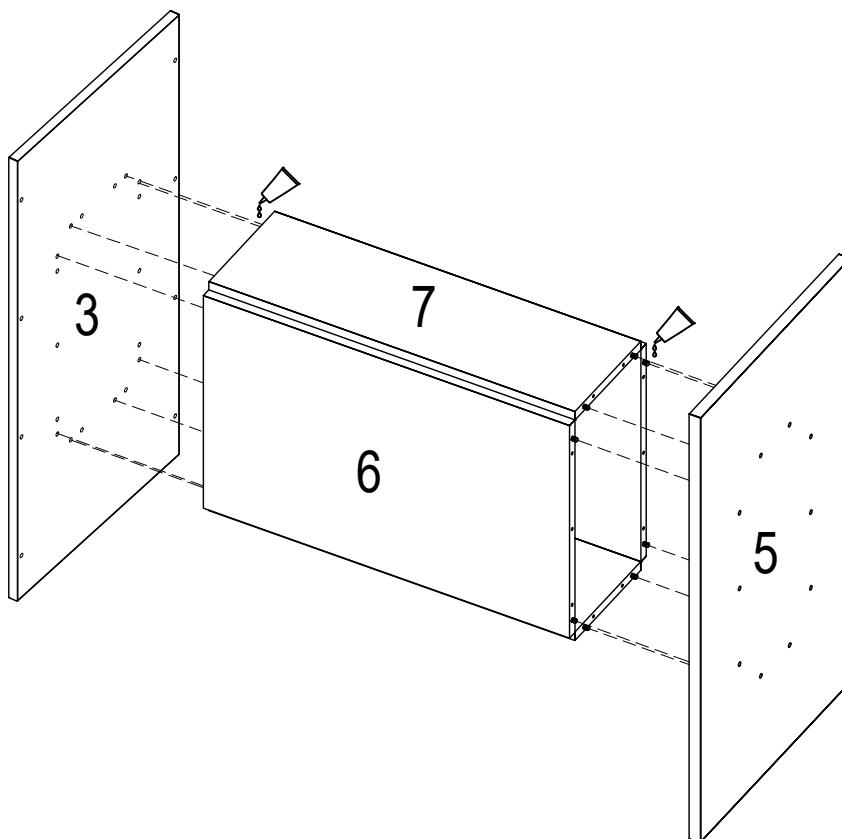
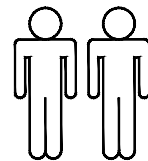
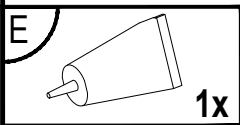


# IV.

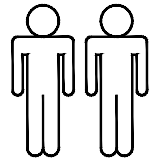
7.



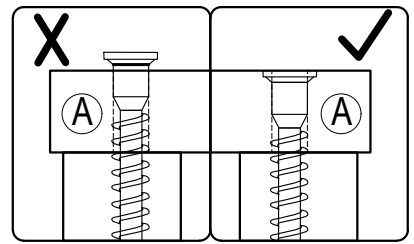
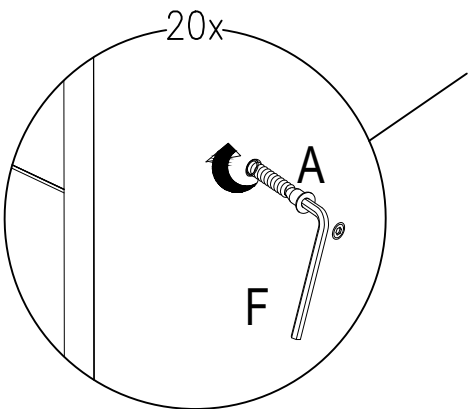
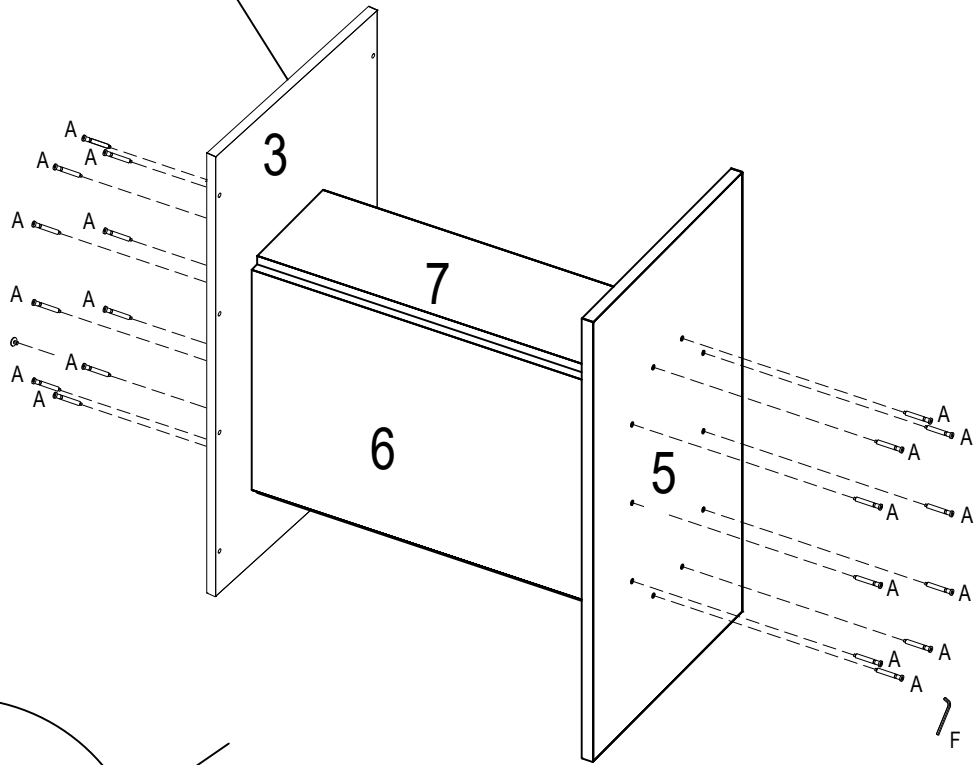
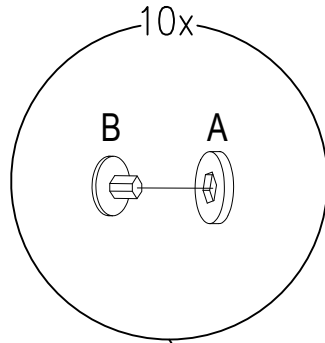
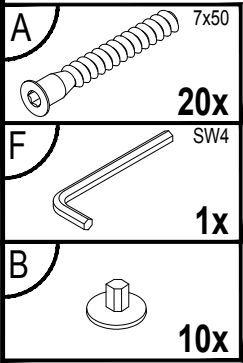
8.



V.

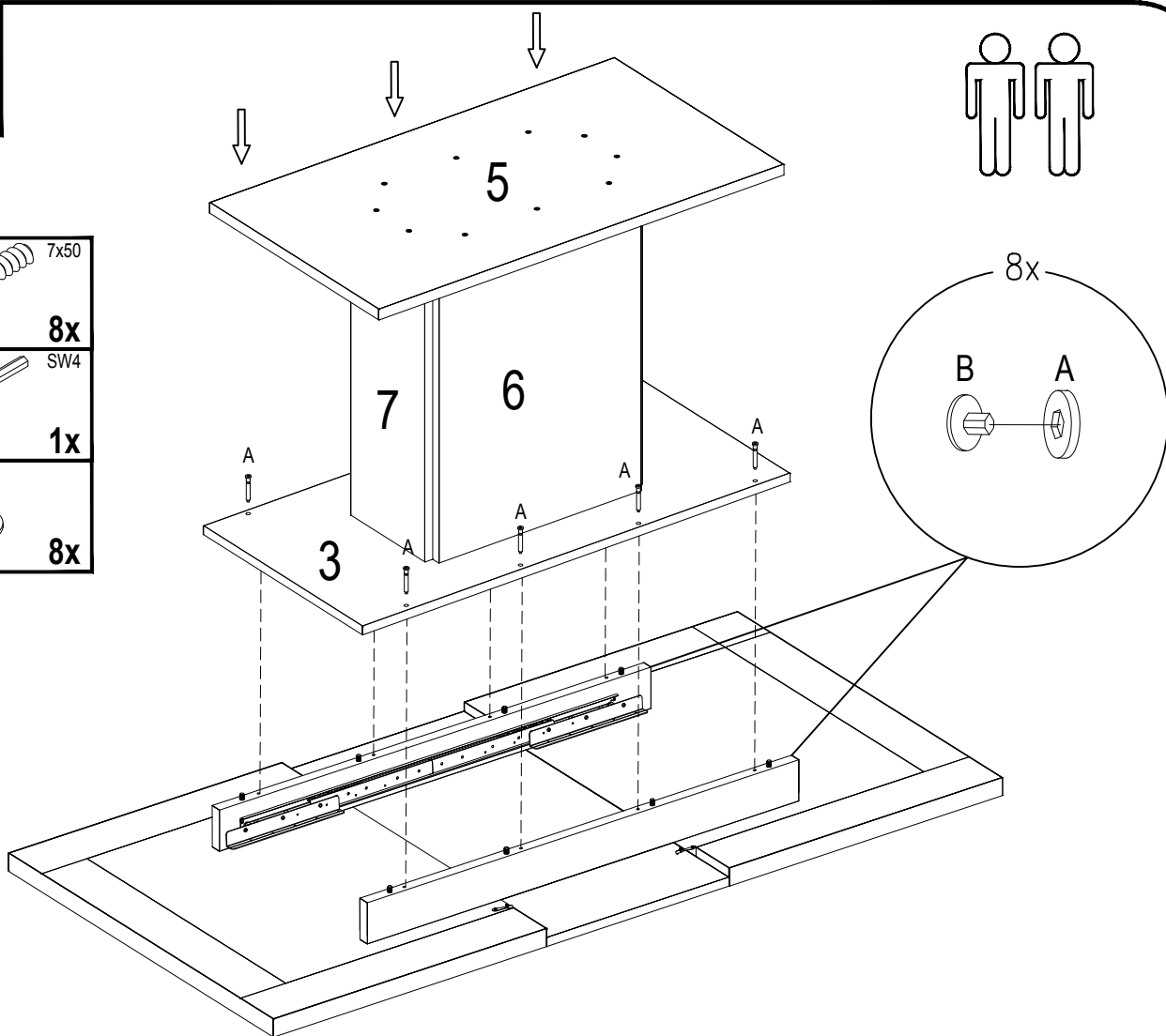
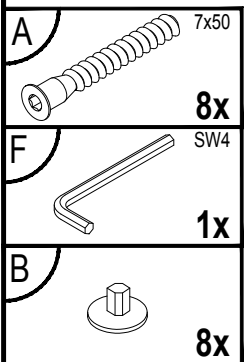


9.

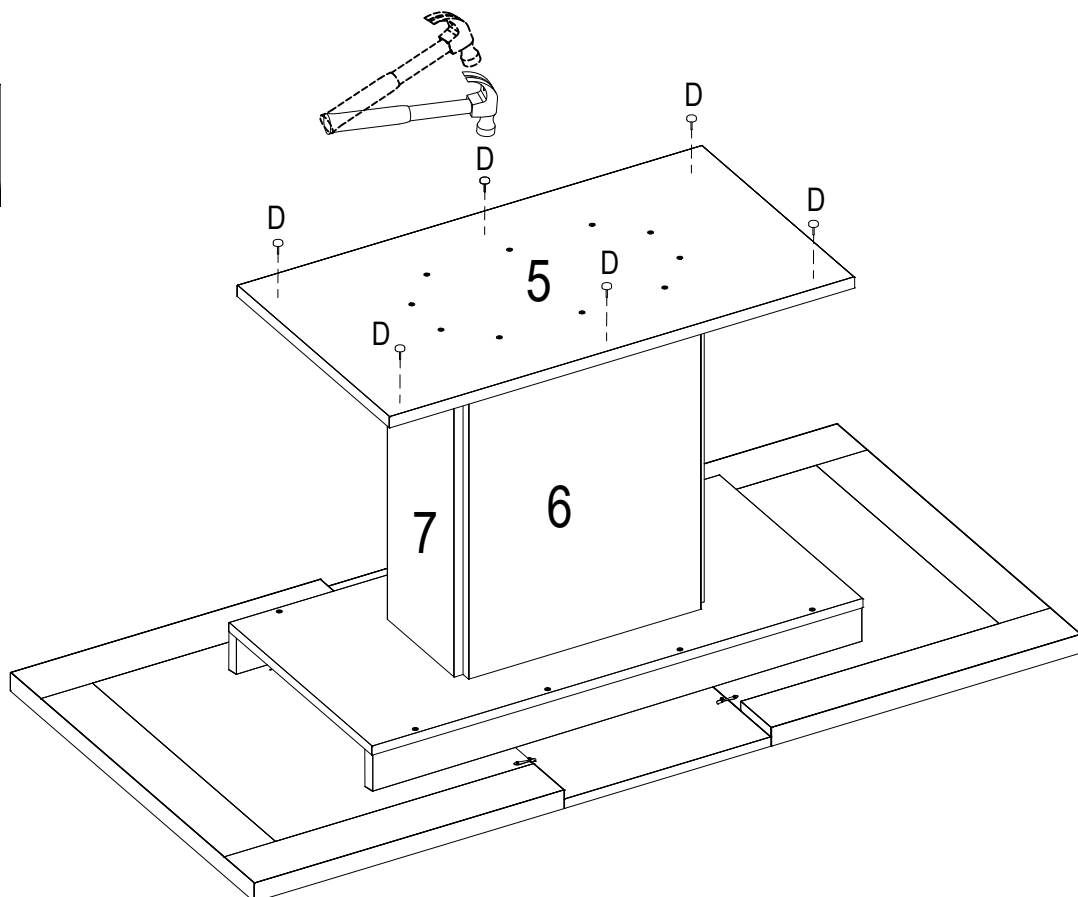
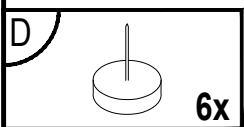


# VI.

10.

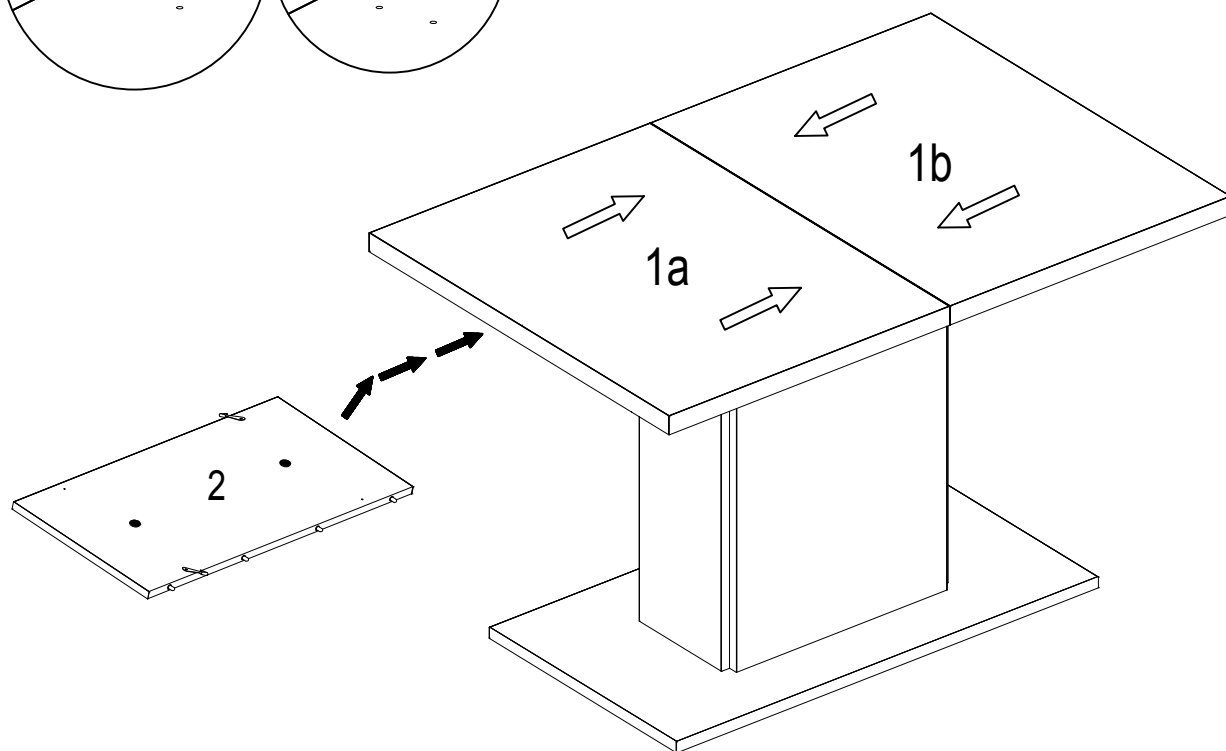
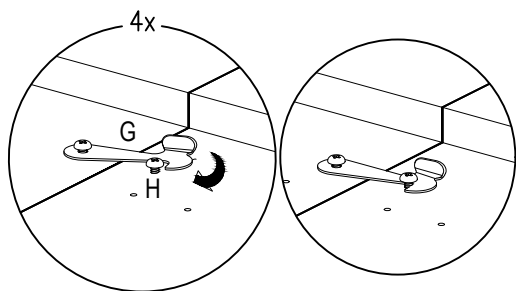
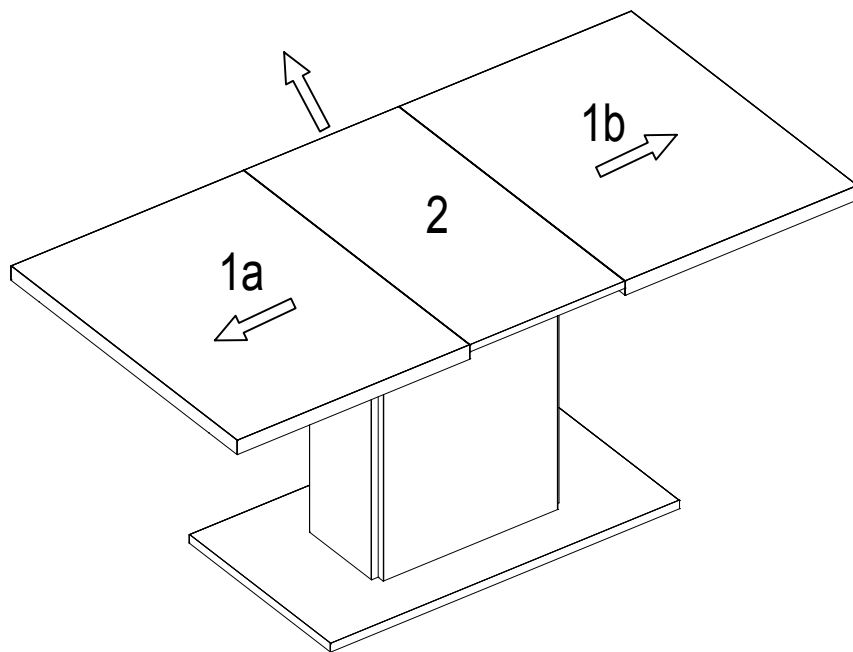
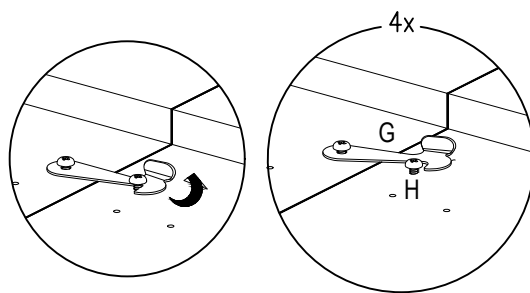


11.



# VII.

12.





VIII.

13.

