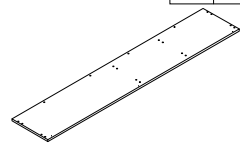
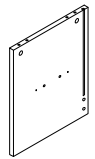
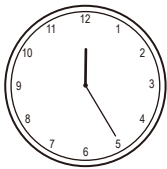
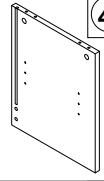
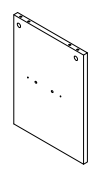
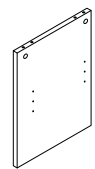
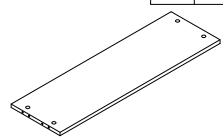
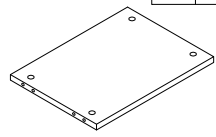
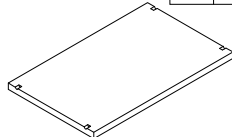
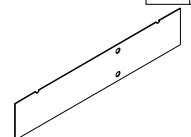
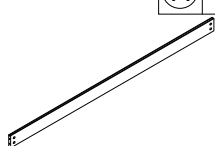
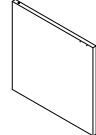
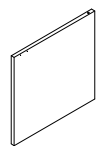
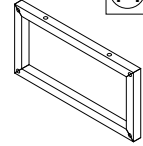
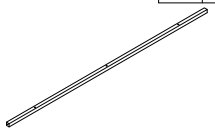
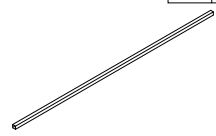
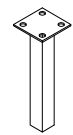




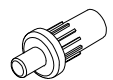
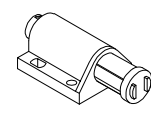
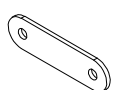
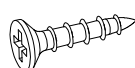
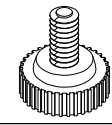
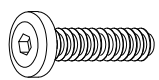


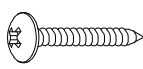

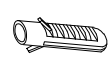
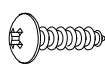
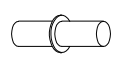
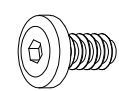
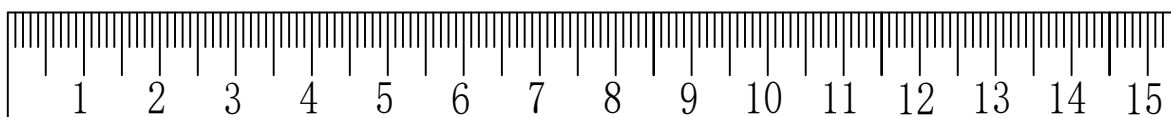
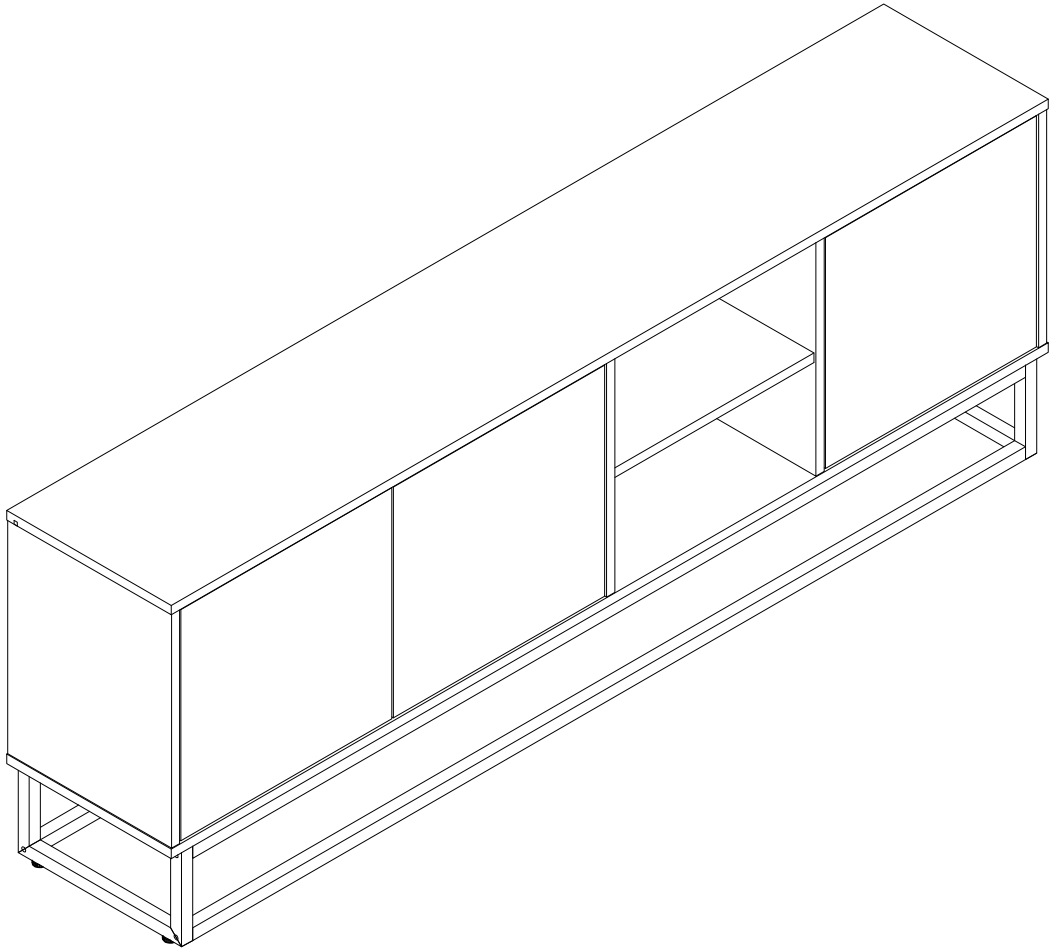
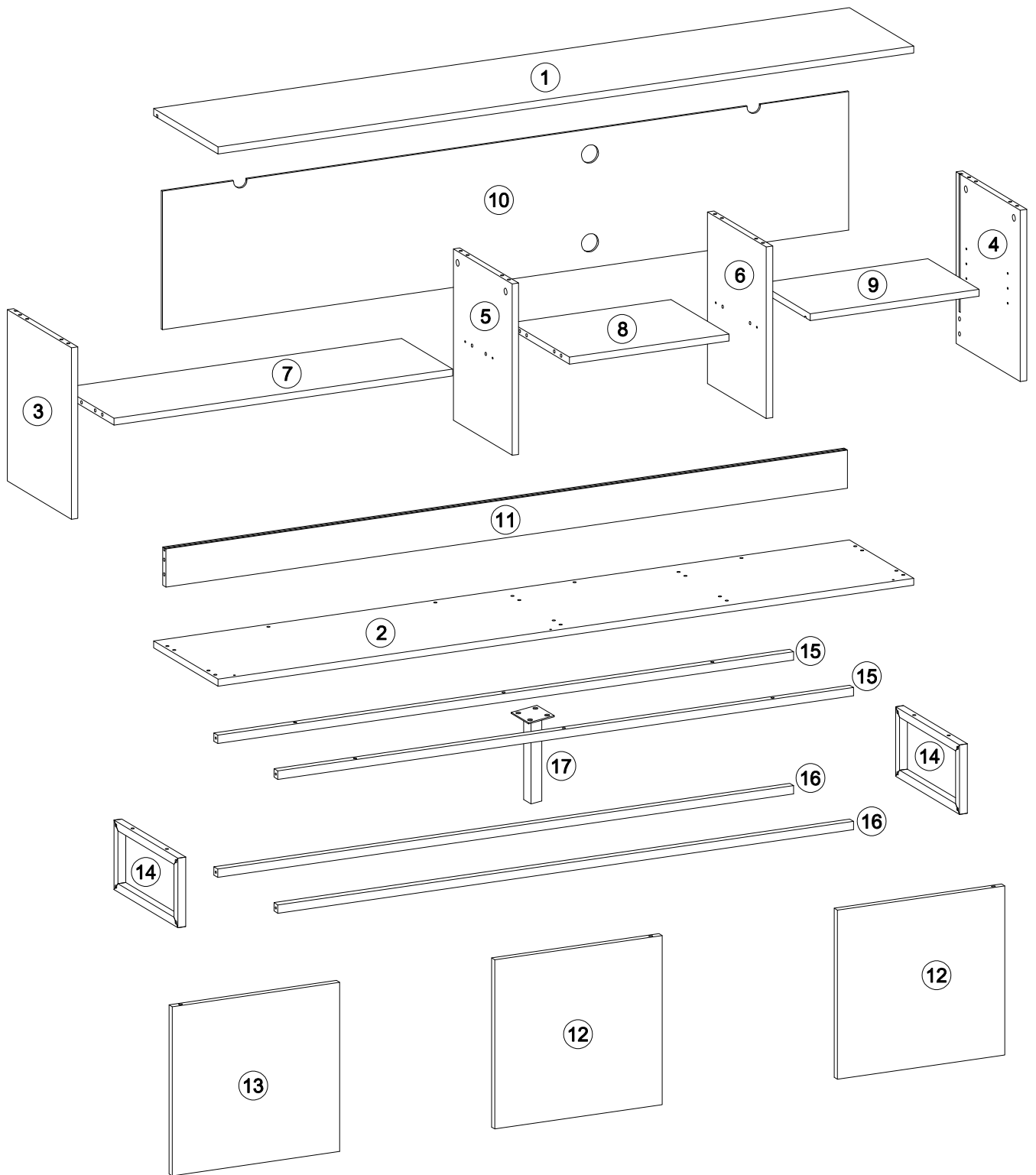
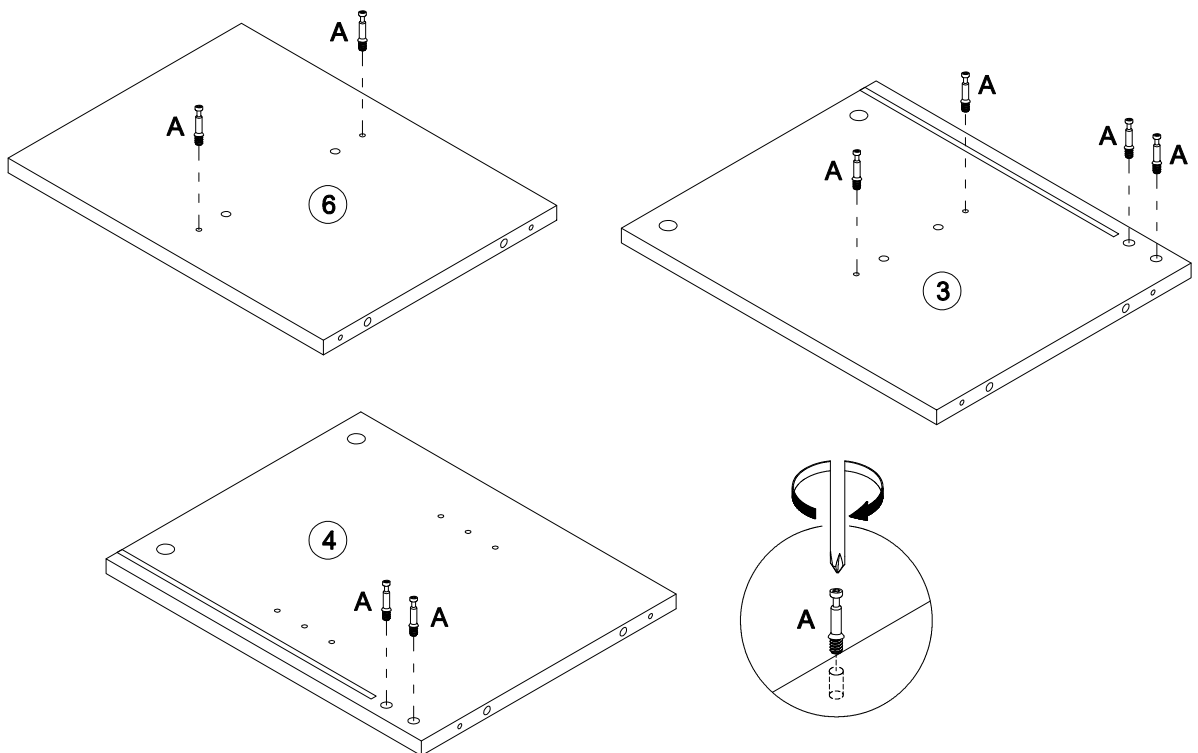
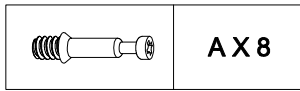
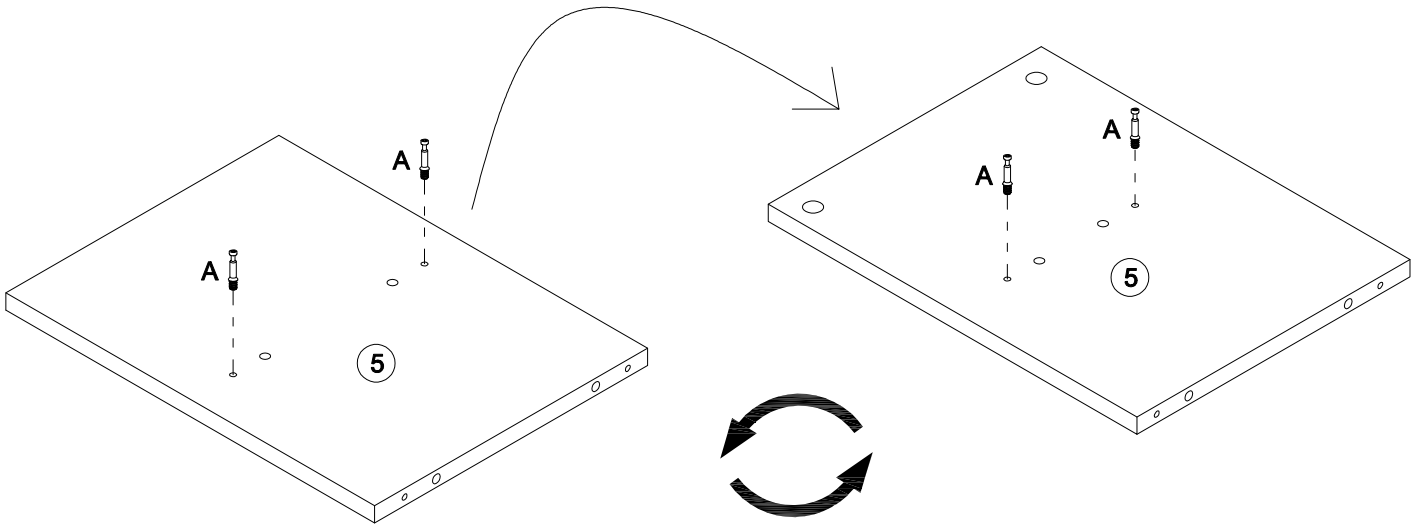
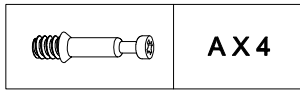
 ① x1	 ② x1	 ③ x1
	 ④ x1	 ⑤ x1	 ⑥ x1
 ⑦ x1	 ⑧ x1	 ⑨ x1	 ⑩ x1
 ⑪ x1	 ⑫ x2	 ⑬ x1	 ⑭ x2
 ⑮ x2	 ⑯ x2	 ⑰ x1	



 A x 20 Ø6*32mm	 B x 20 Ø15*11mm	 C x 24 Ø8*30mm
 D x 12 Ø6*48mm	 E x 6	 F x 3
 G x 3	 H x 18 Ø3*14mm	 I x 5
 J x 18 M6*30mm	 K x 7 Ø3*16mm	 L x 1 M4mm
 M x 2 Ø4*38mm	 N x 2	 O x 2
 P x 2 Ø4*12mm	 Q x 4 Ø5*15mm	 R x 4 M6*12mm

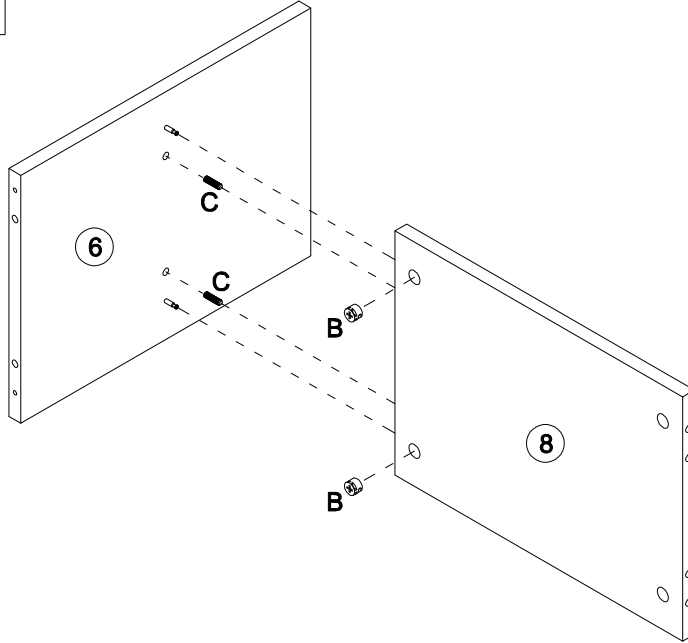






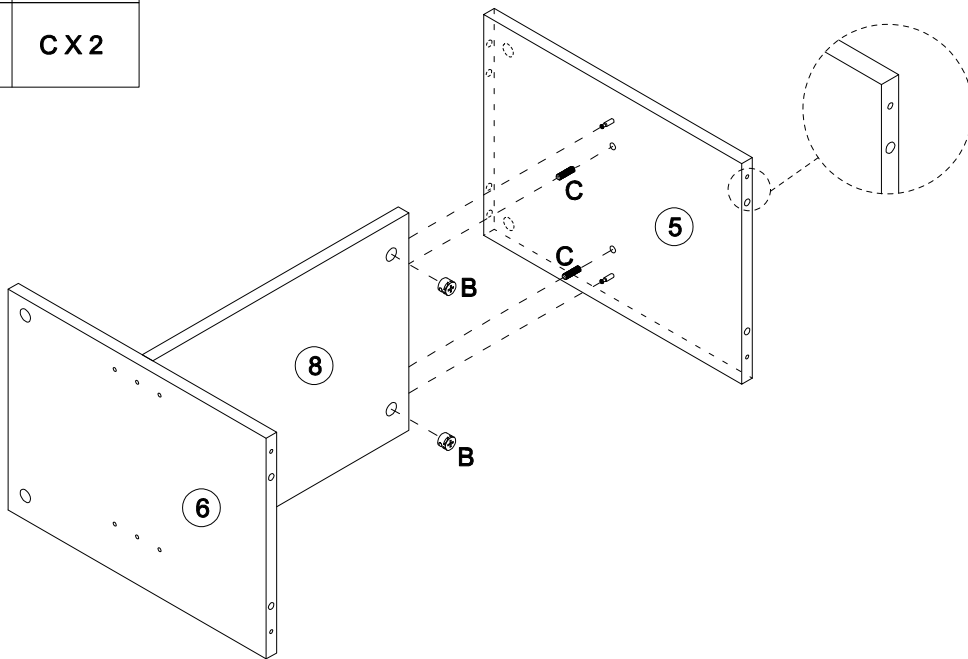






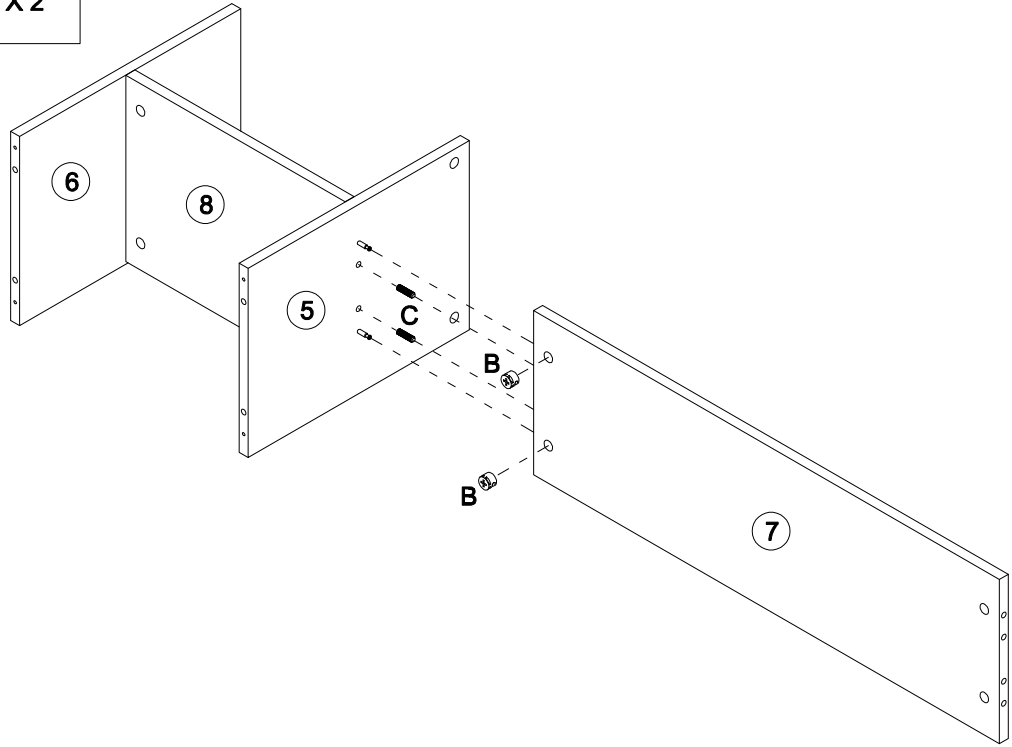
	B X 2
	C X 2





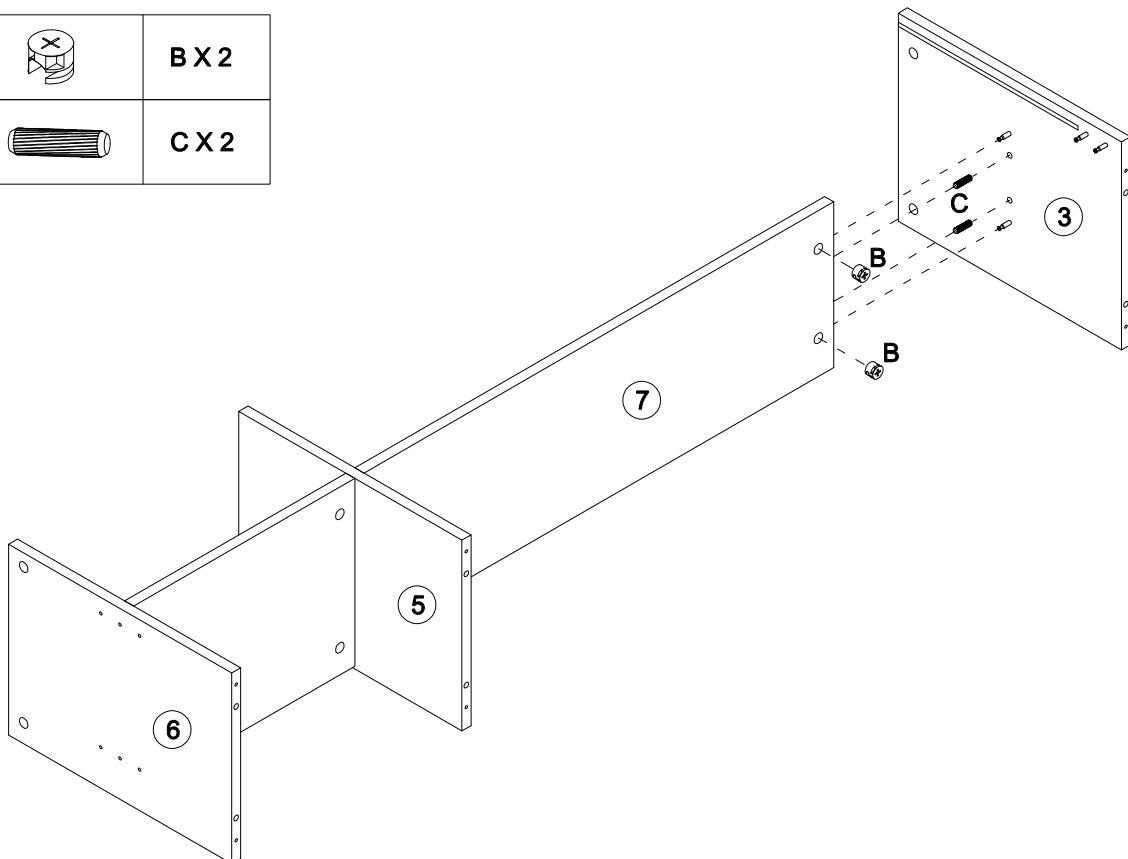
	B X 2
	C X 2

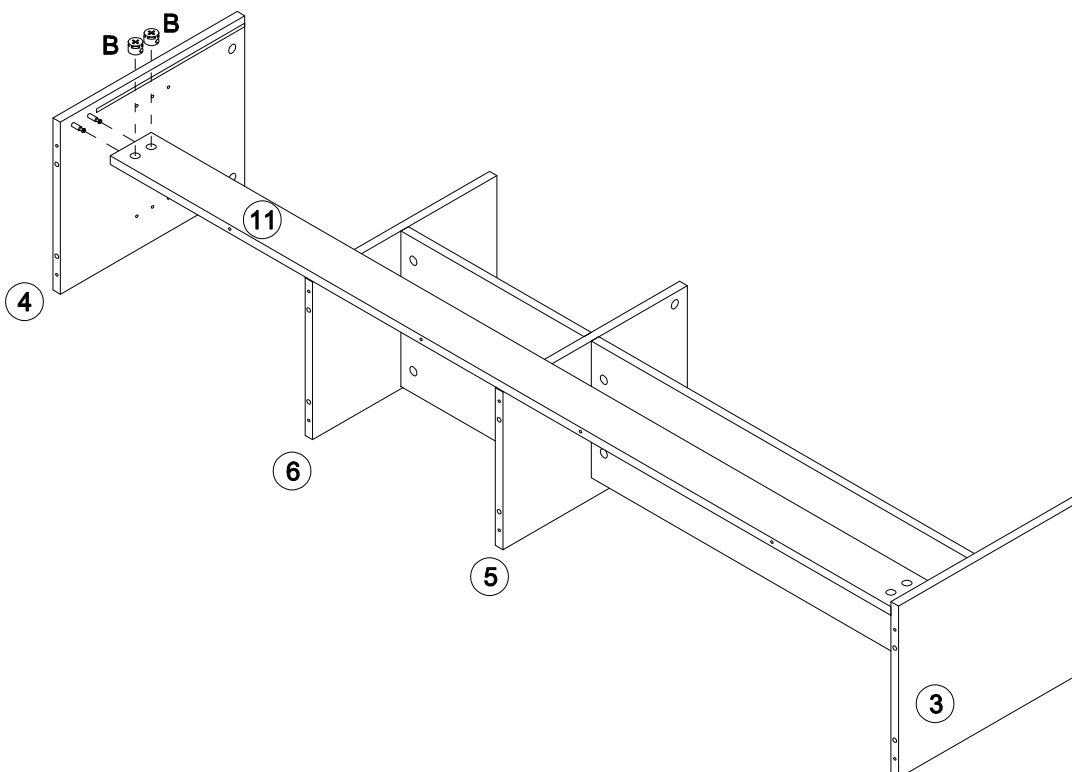
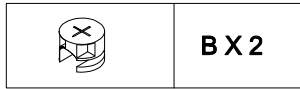
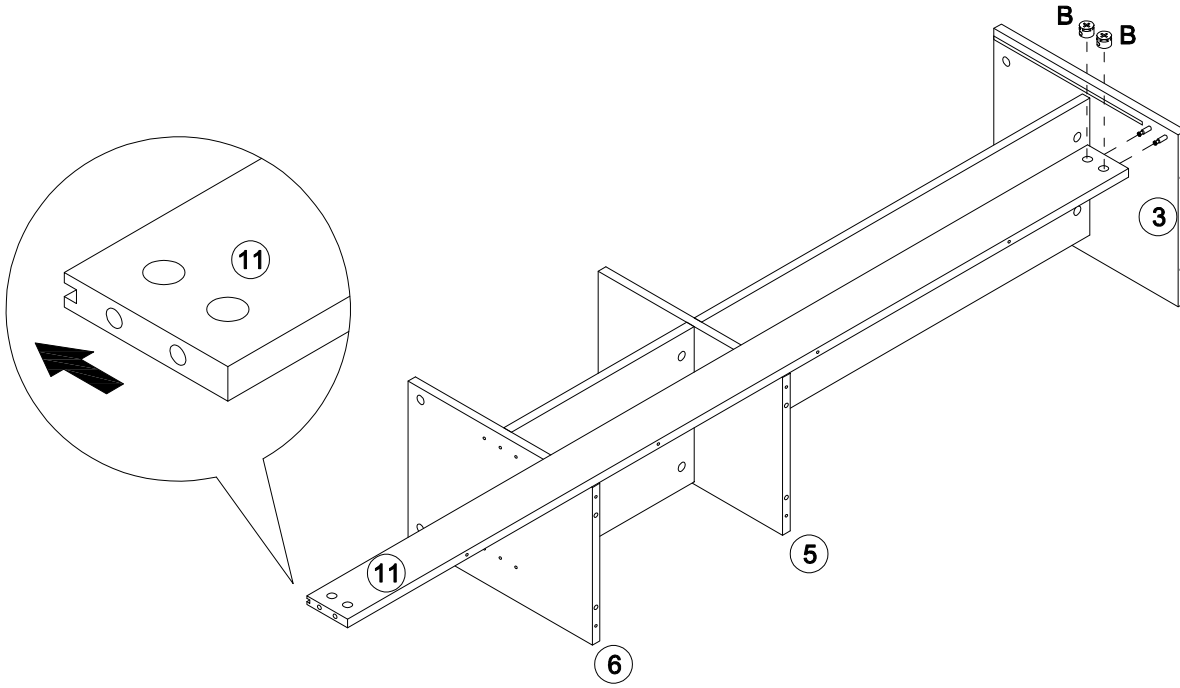


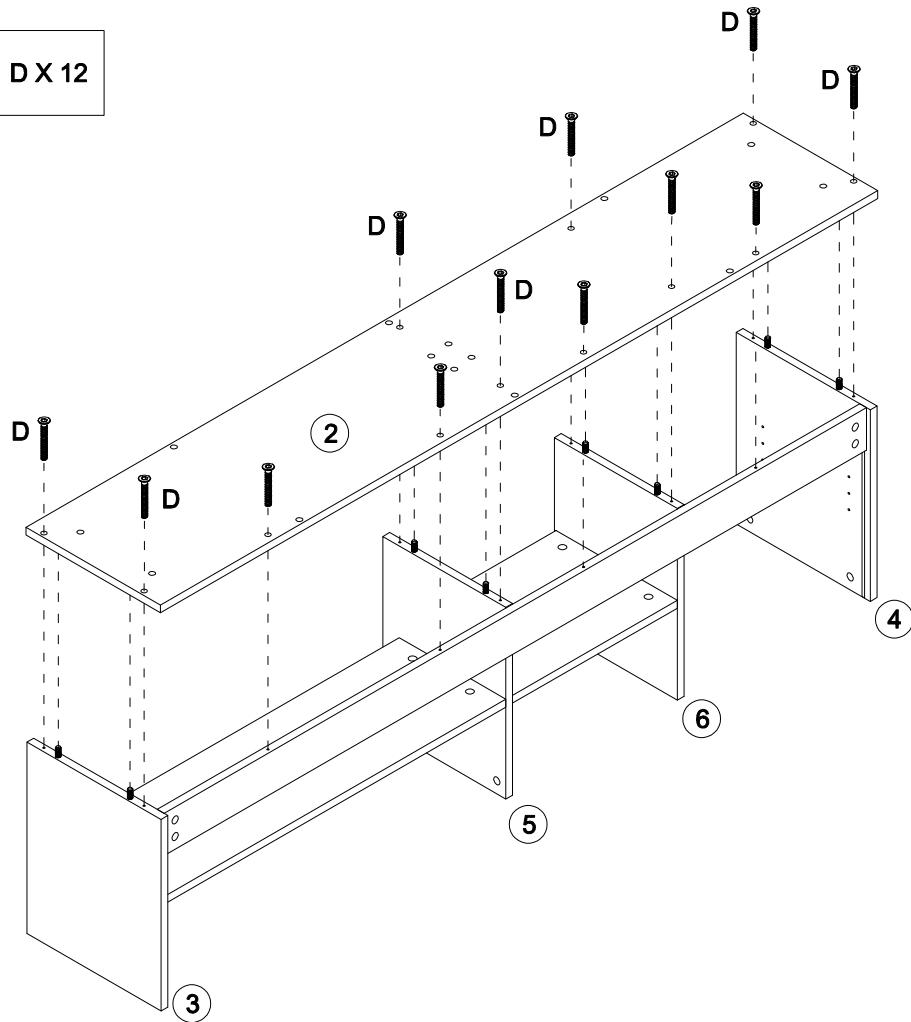
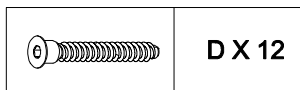
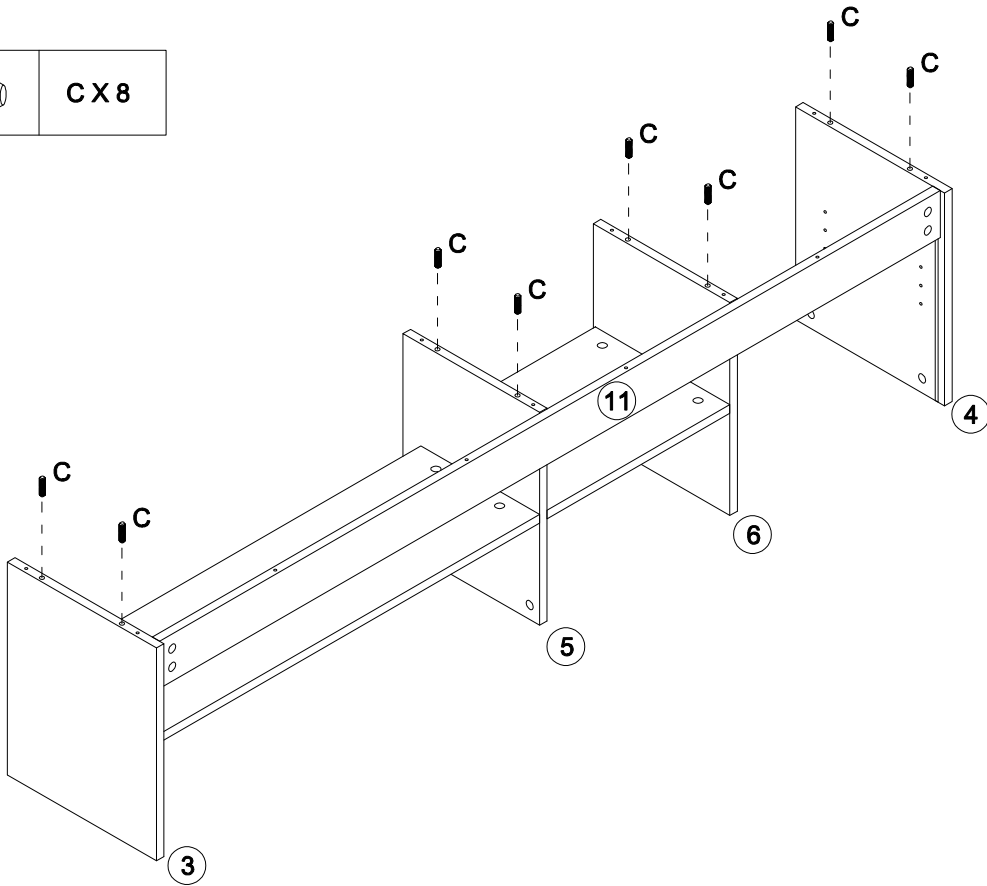
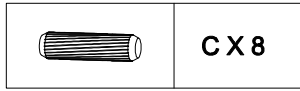
	B X 2
	C X 2

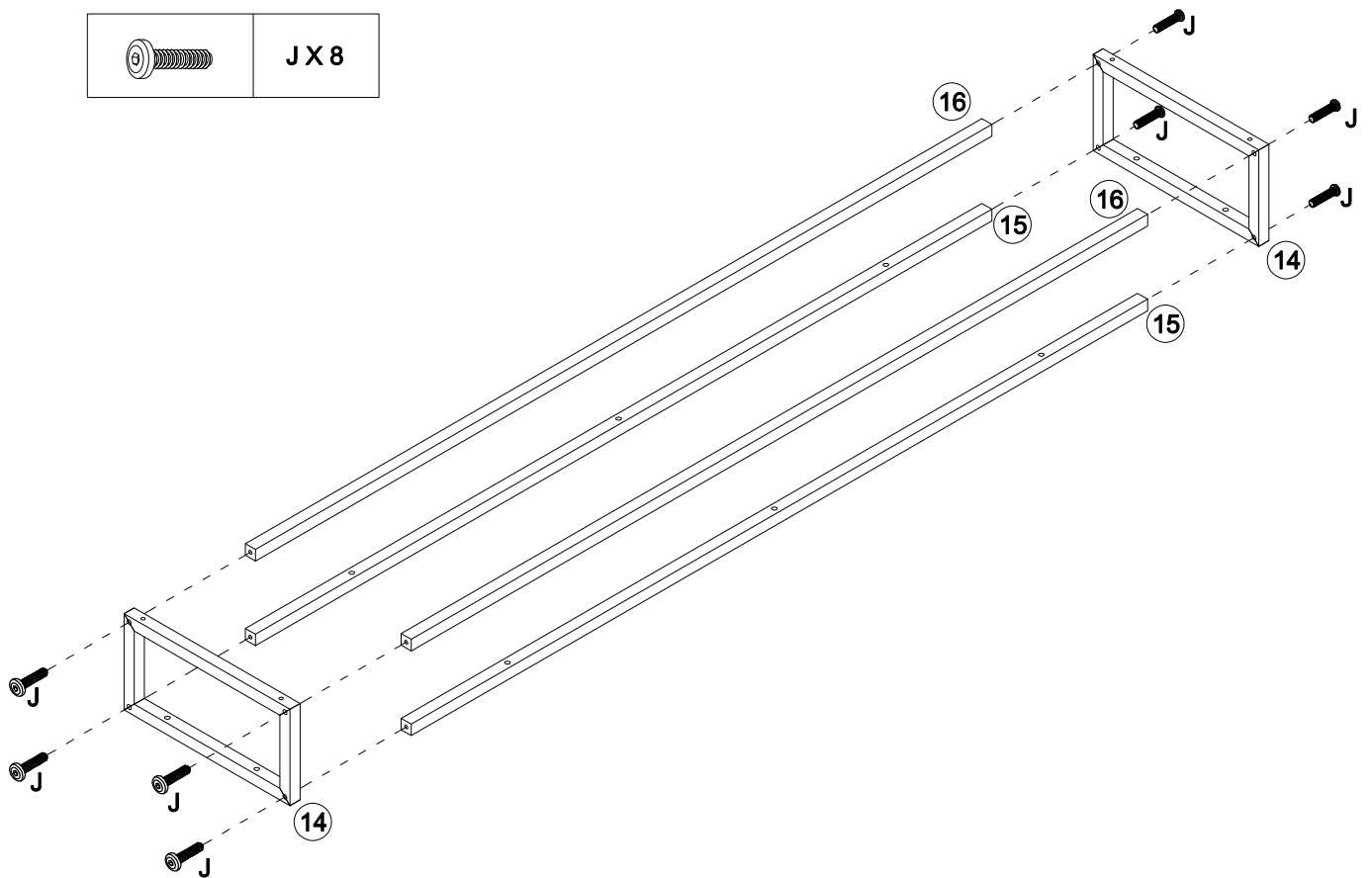
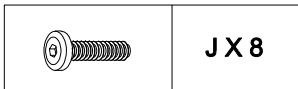
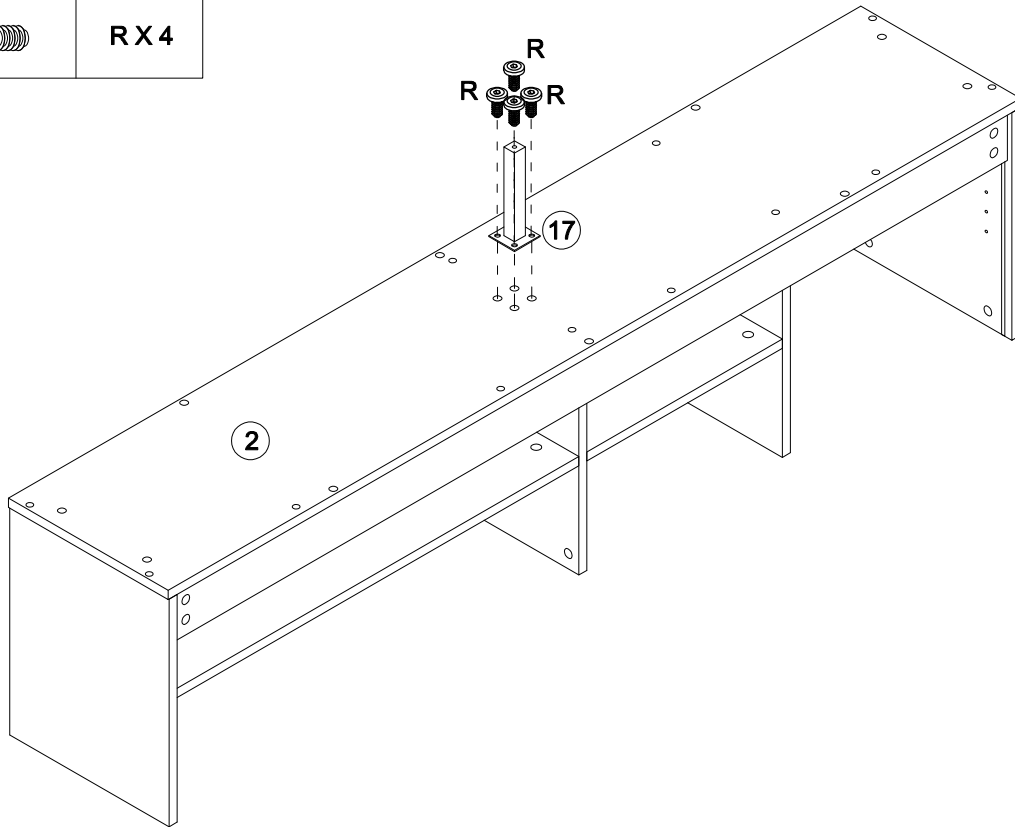
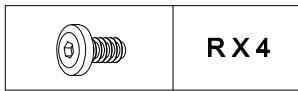


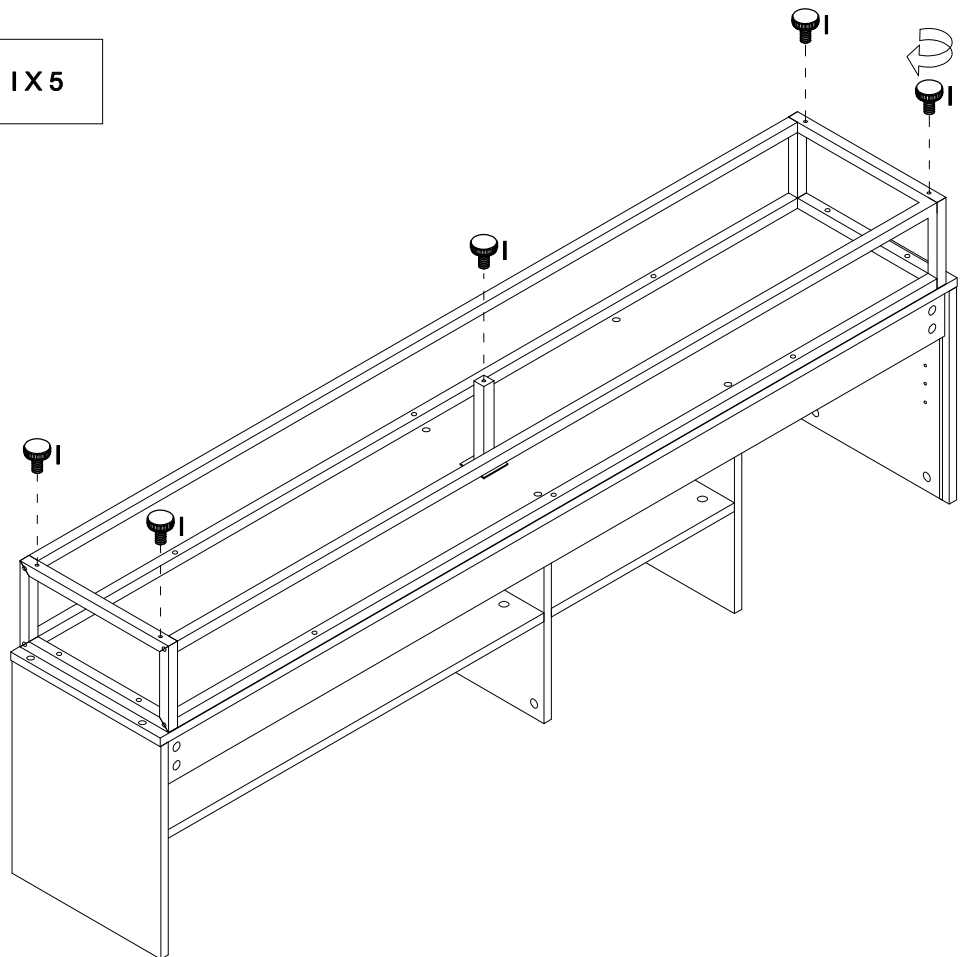
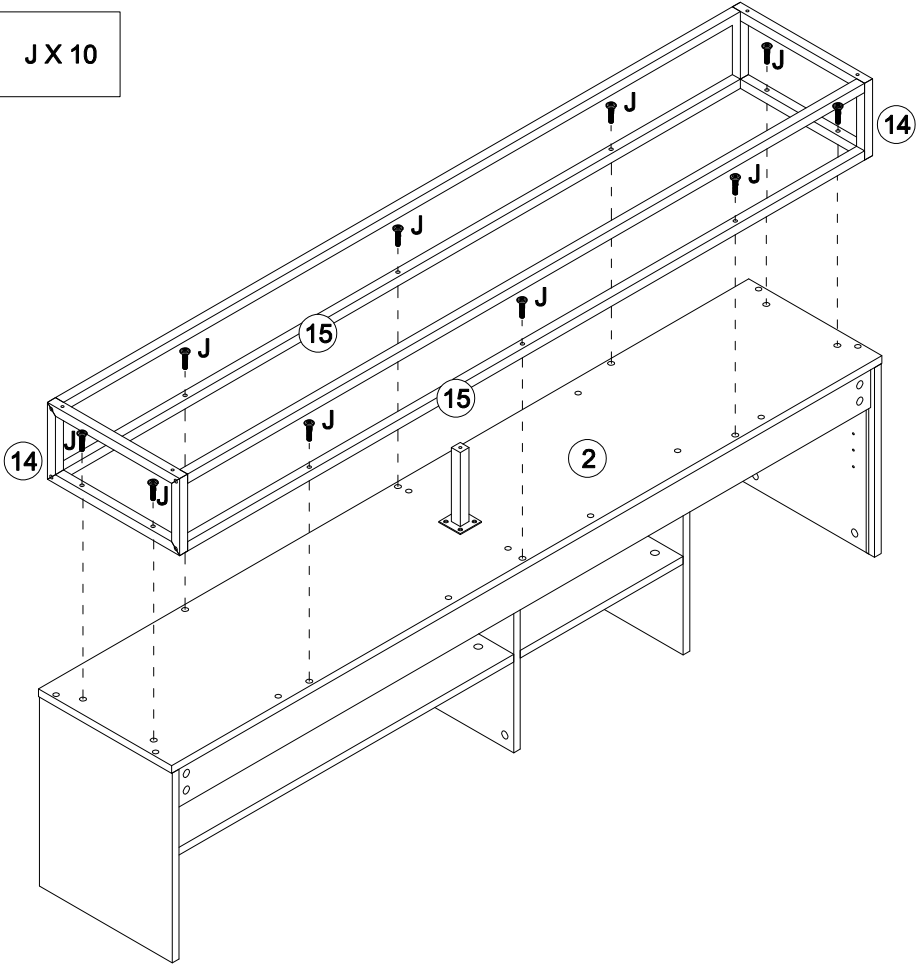
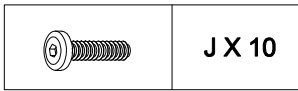
	B X 2
	C X 2

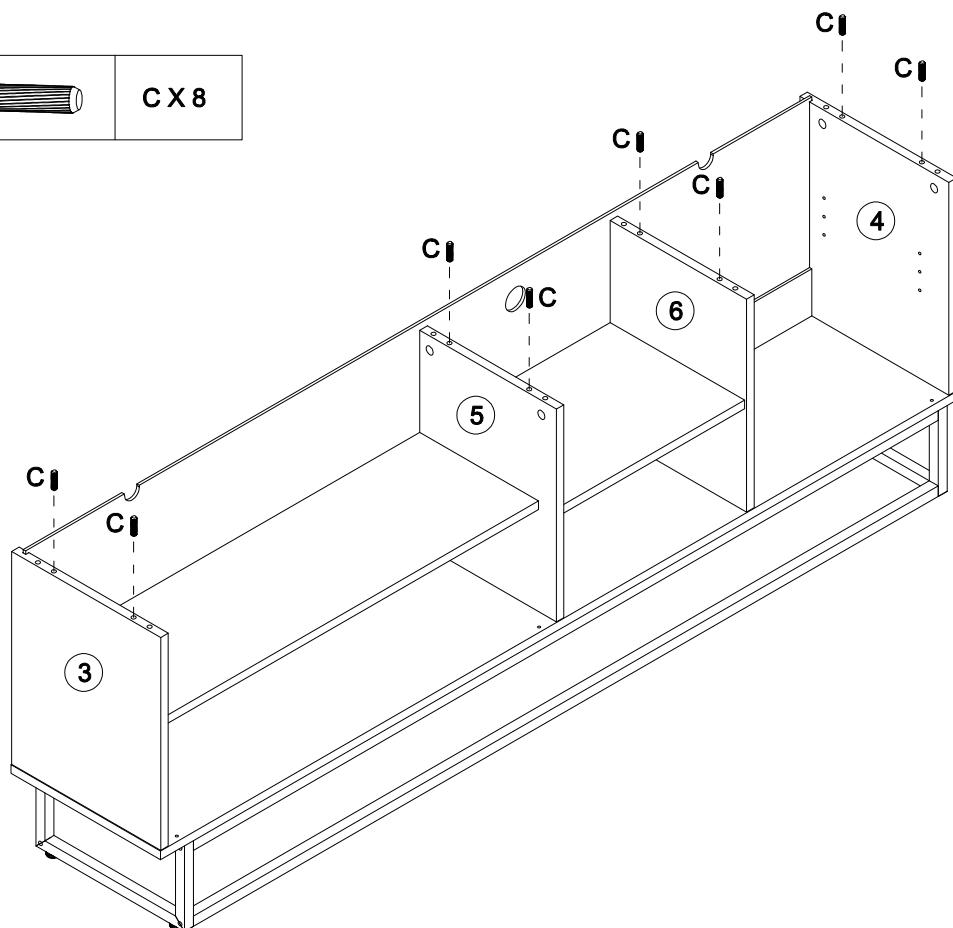
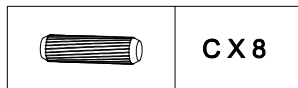
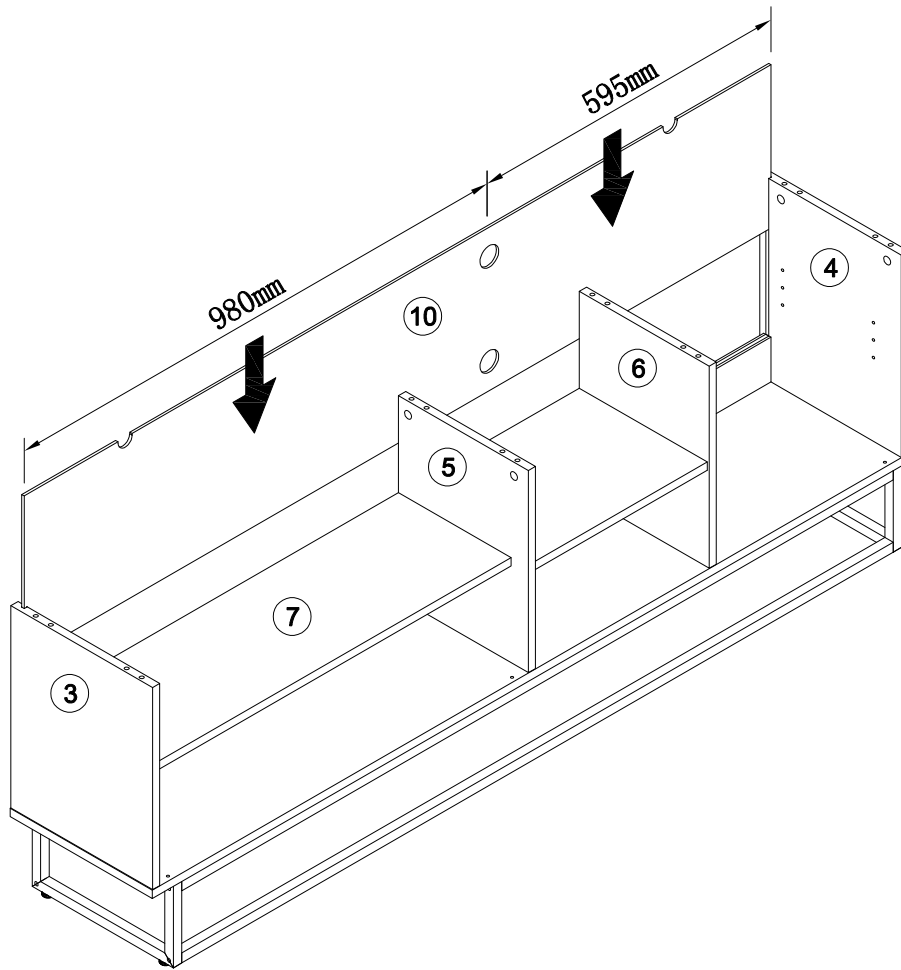


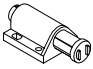
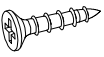


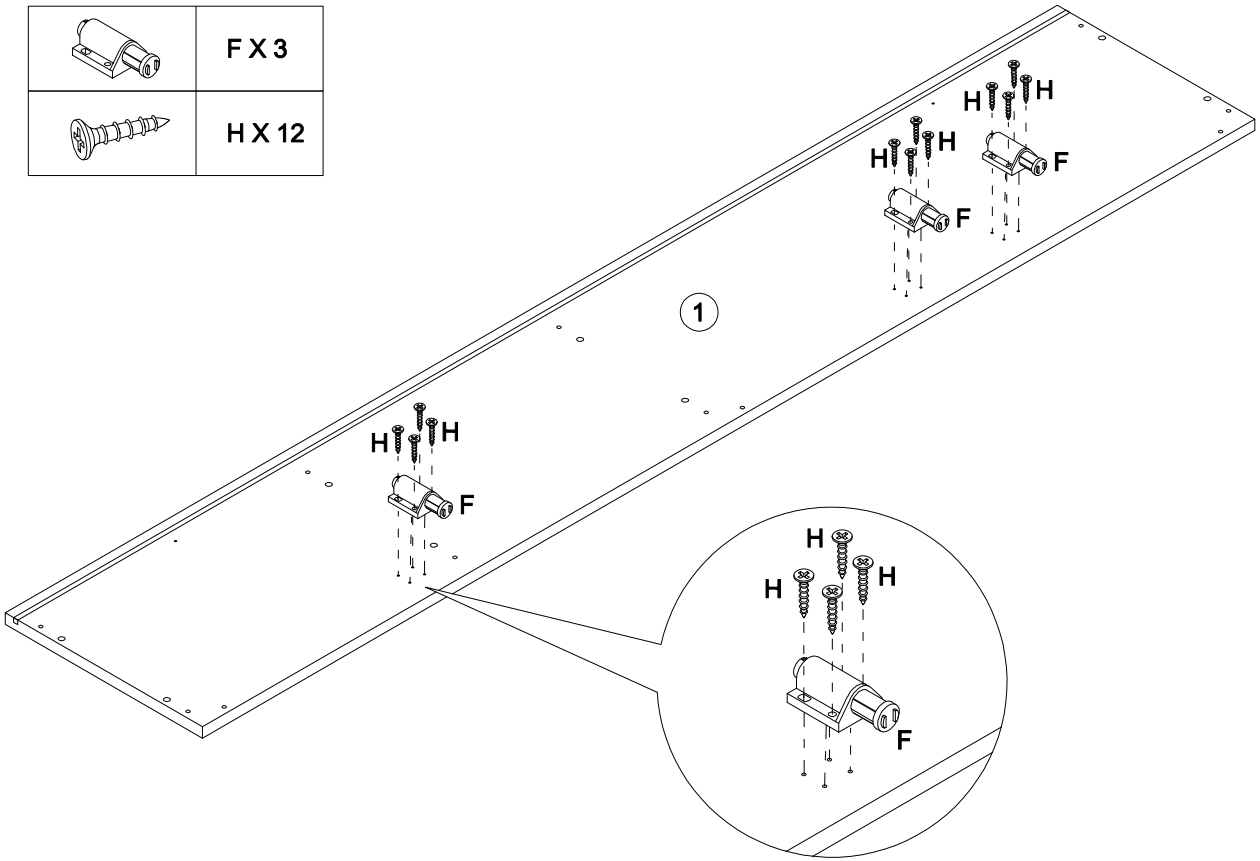


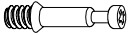

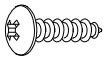


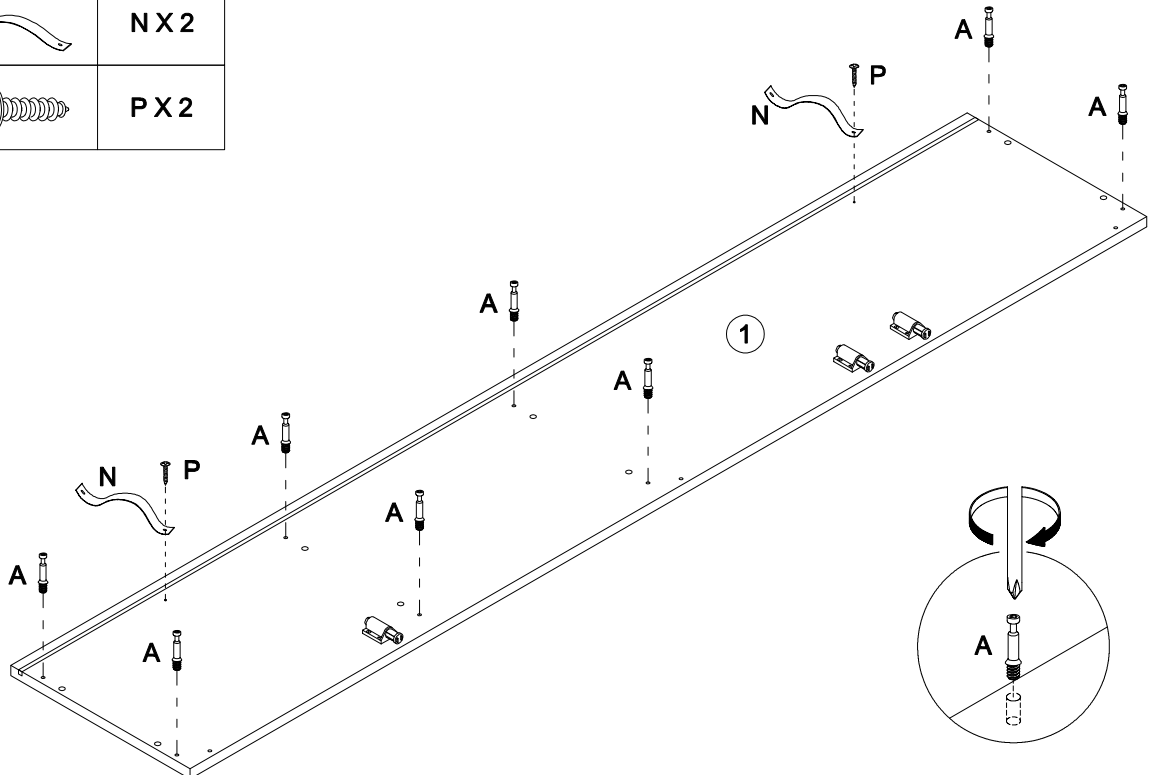


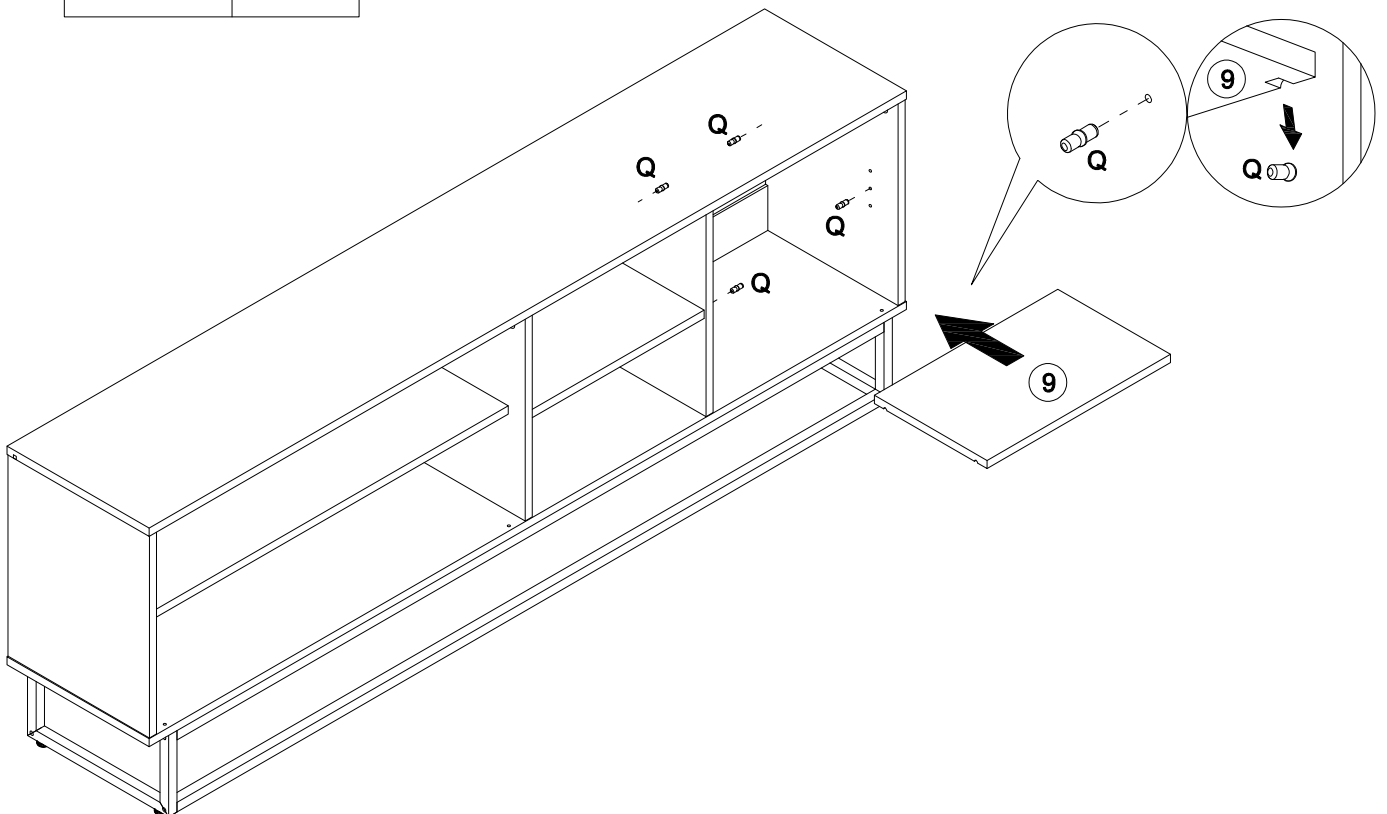
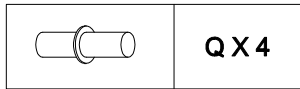
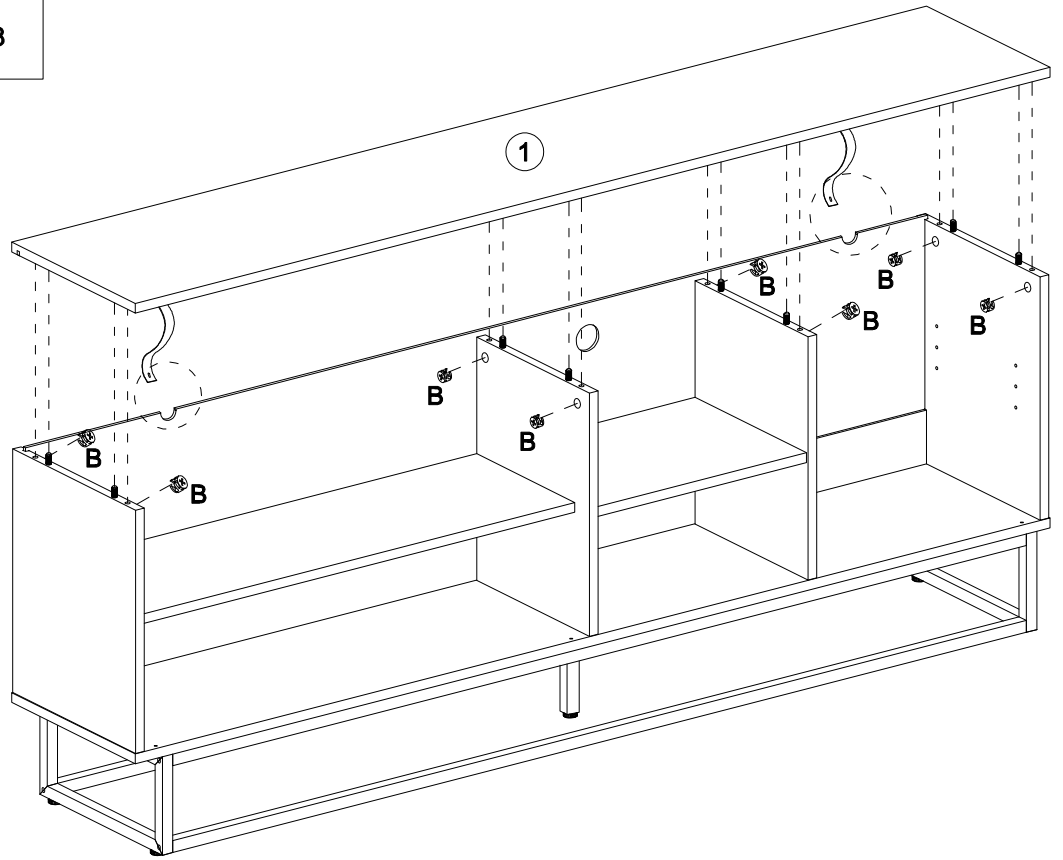
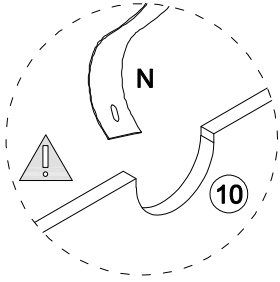
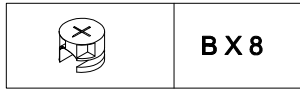


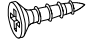
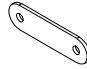

	FX 3
	HX 12

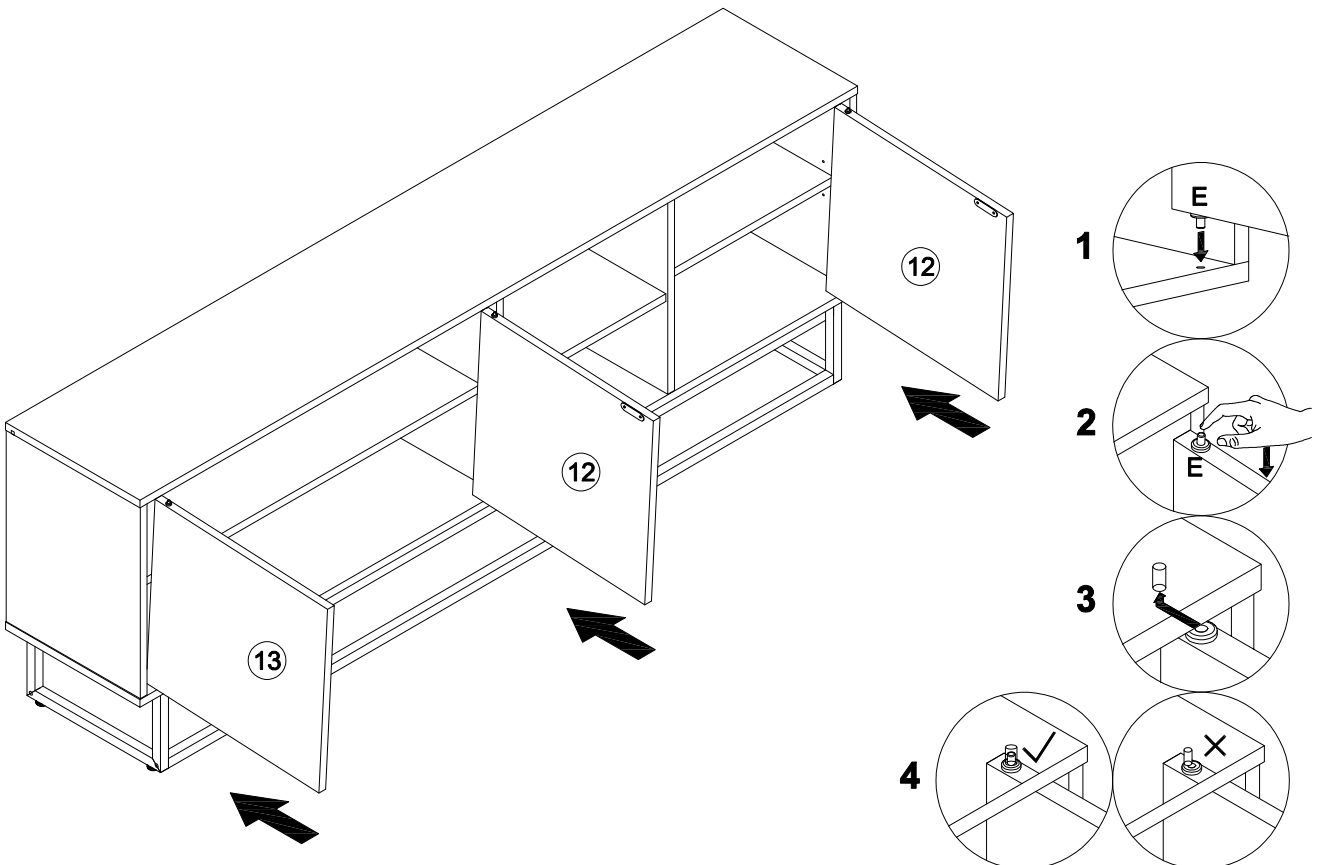
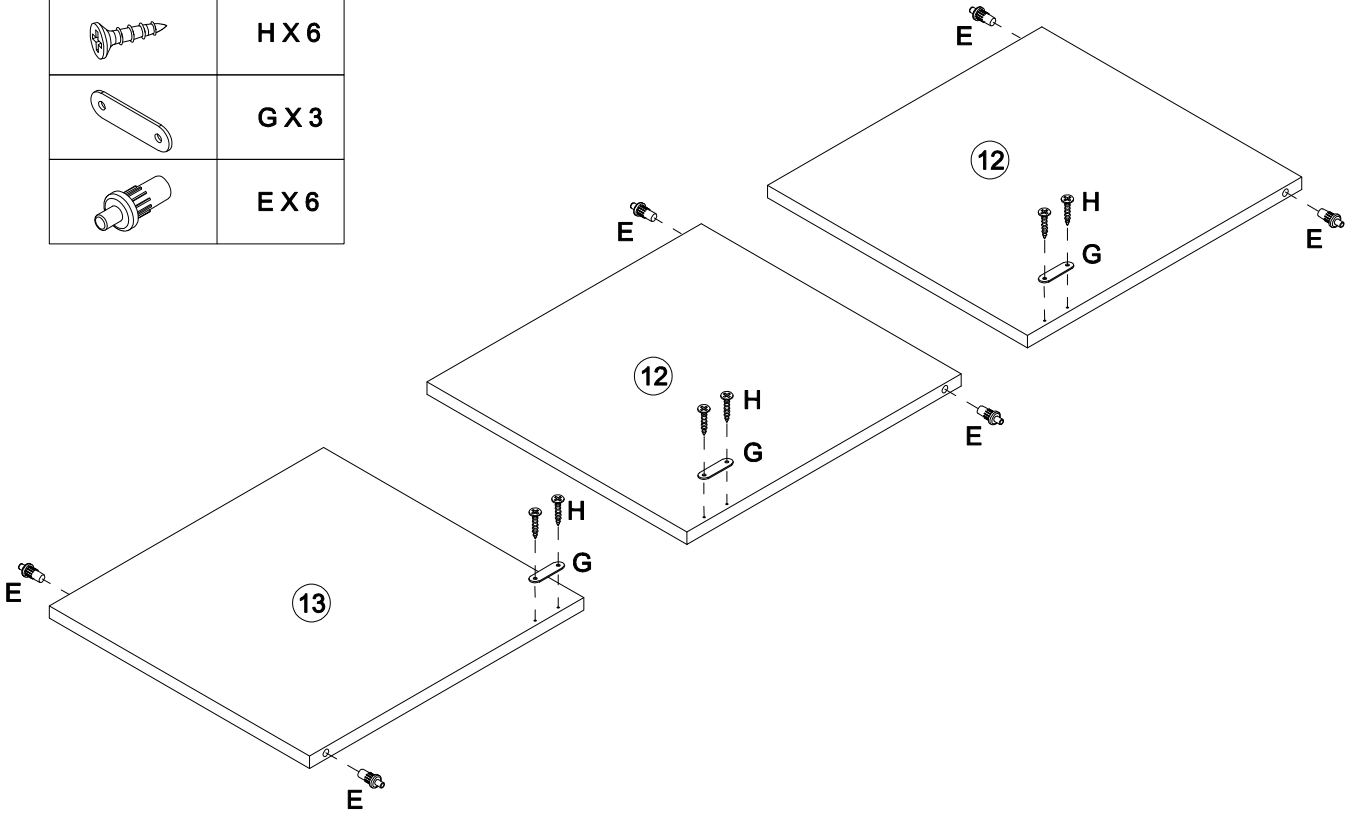


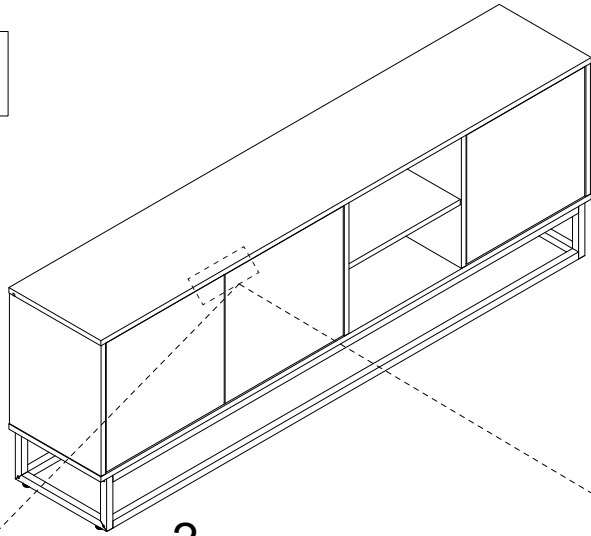
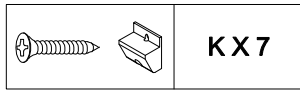
	AX 8
	NX 2
	PX 2



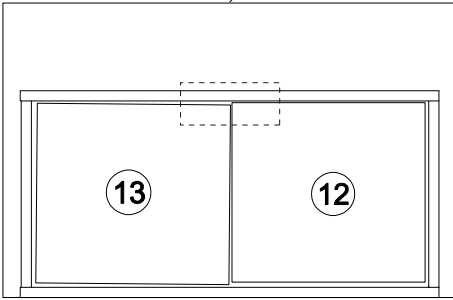


	HX6
	GX3
	EX6

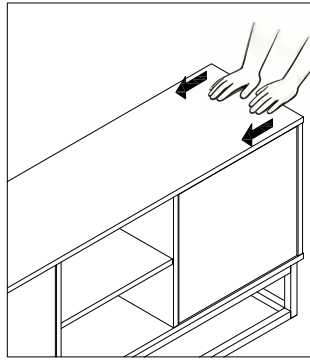




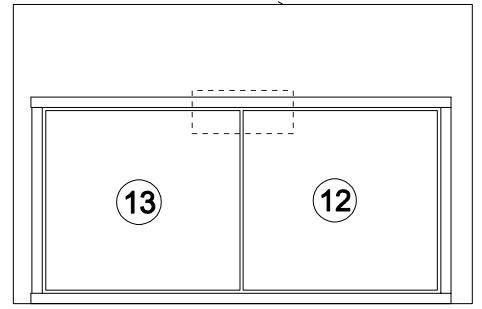
1.



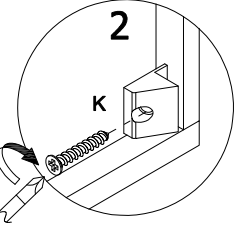
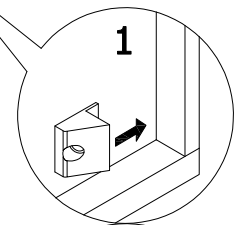
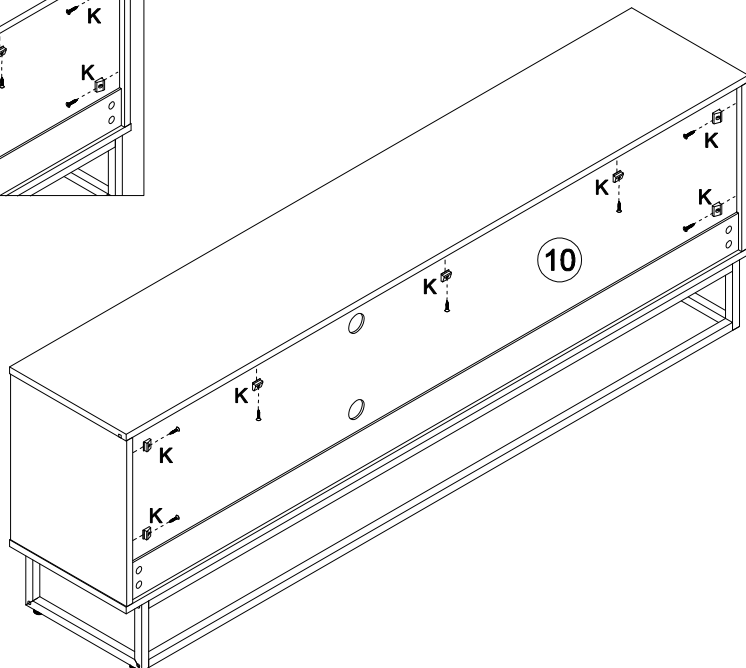
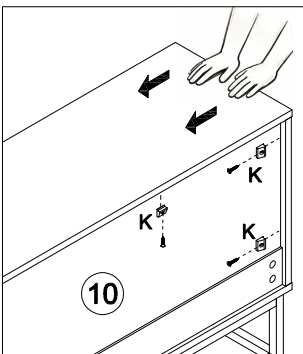
2.

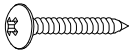



3.



4.



	MX2
	OX2

