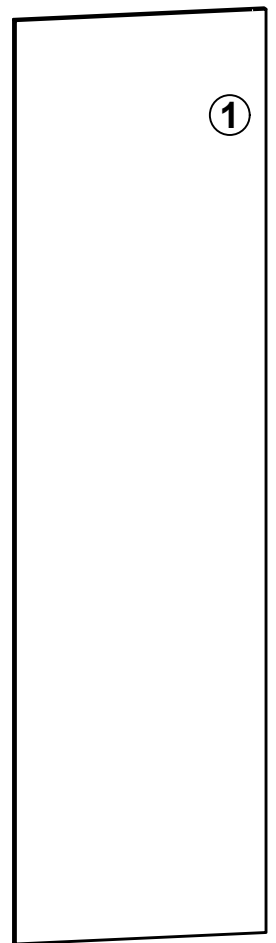
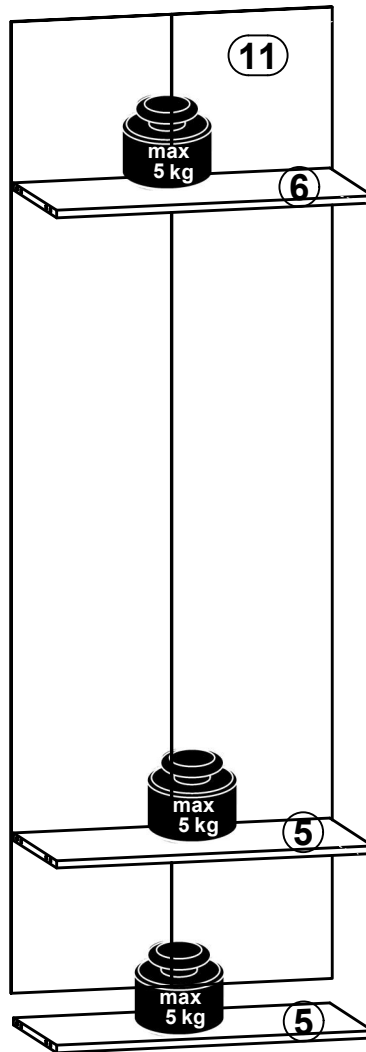
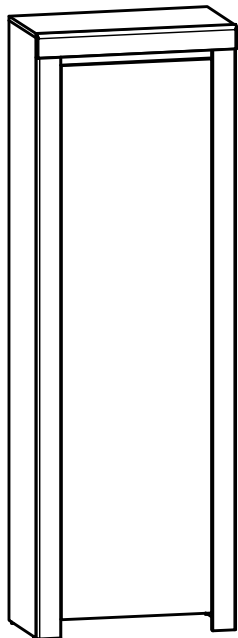
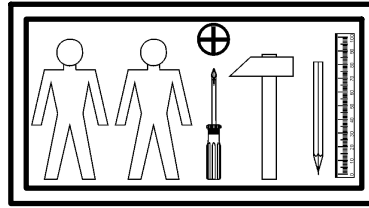
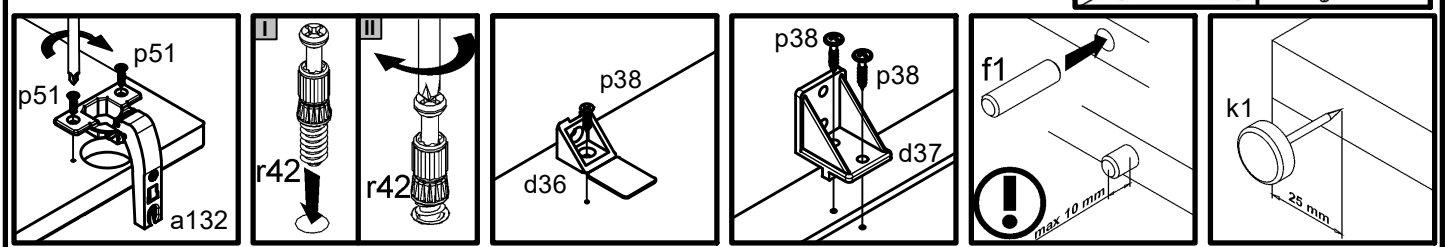
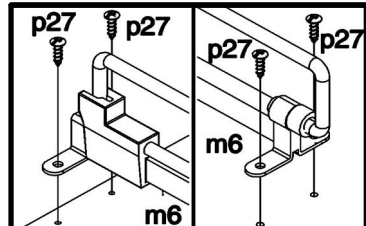
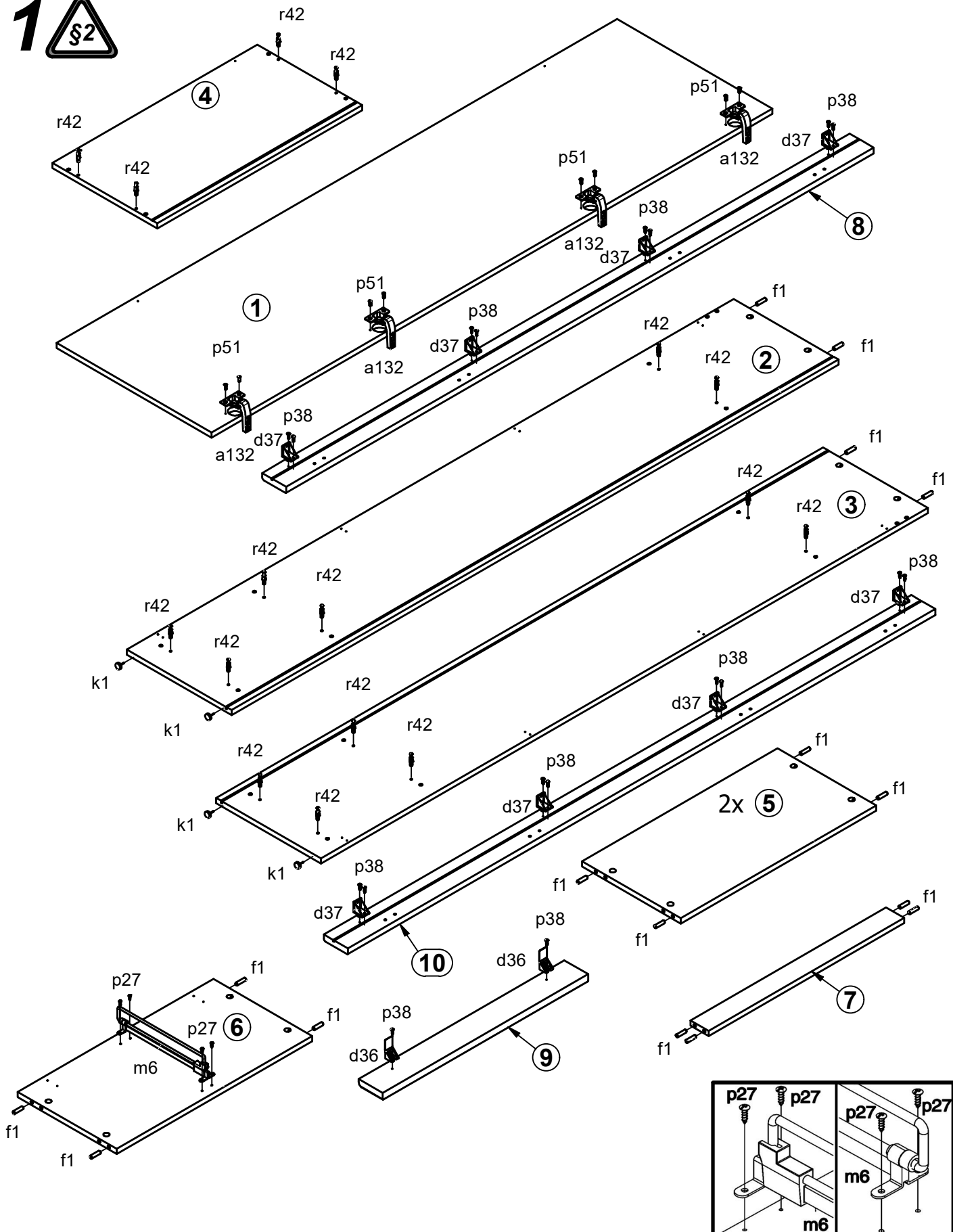


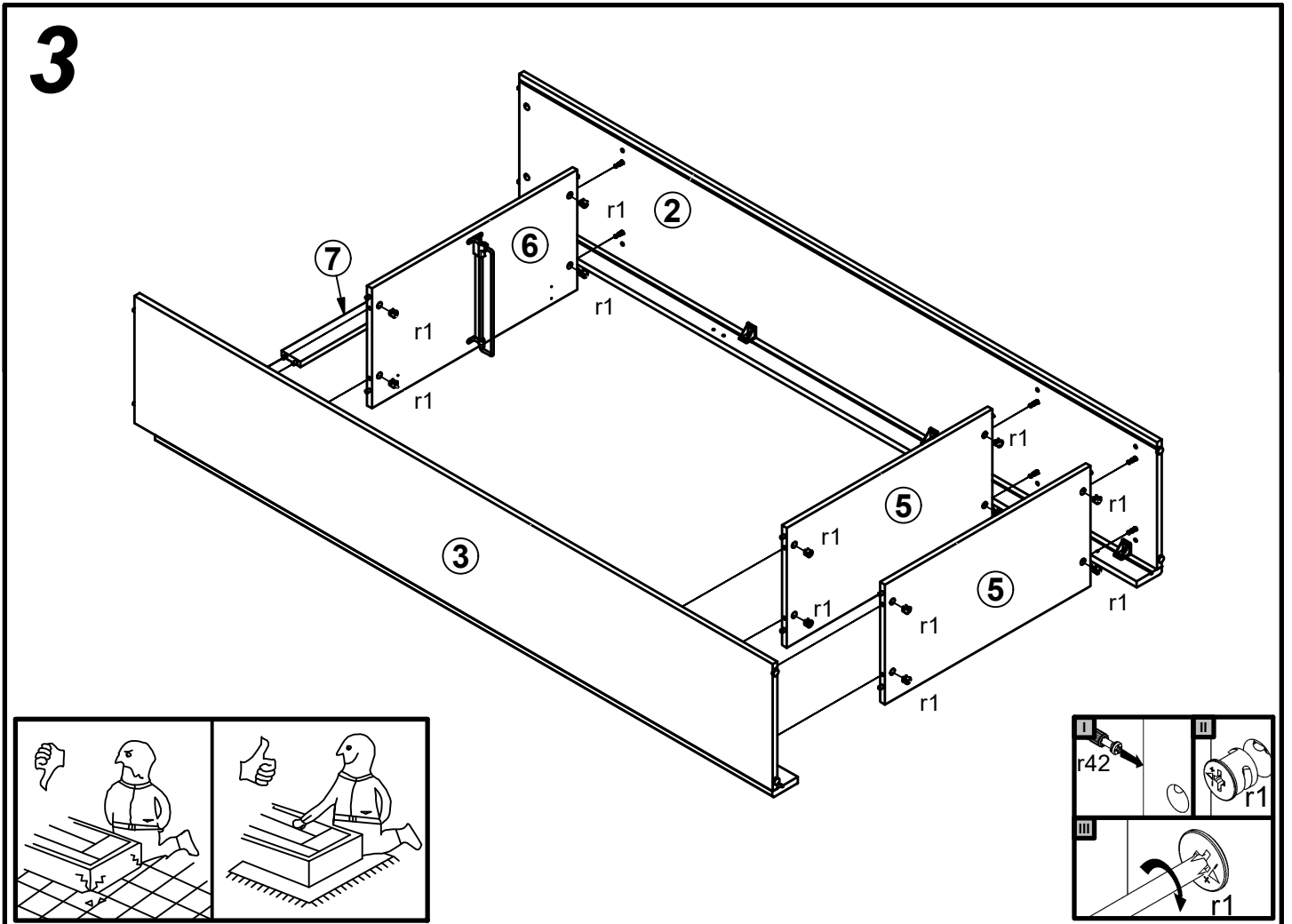
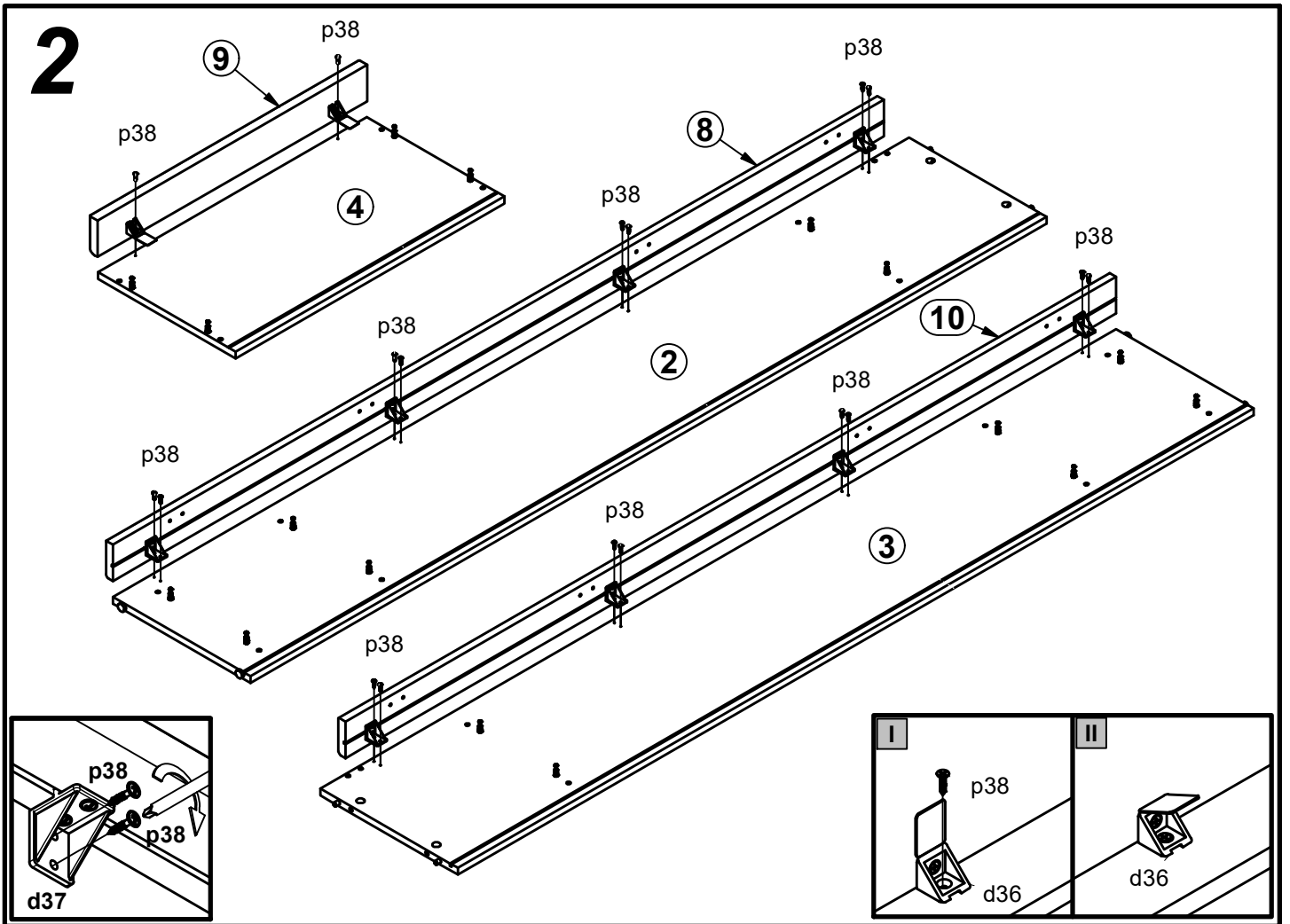
A	B	C	D	
1	S440-0013	1860	515	2/2
2	S440-1025	2014	348	2/2
3	S440-1026	2014	348	2/2
4	S440-2006	680	348	1/2
5	S440-3014	649	328	1/2
6	S440-3016	649	328	1/2
7	S440-4020	649	60	1/2
8	S440-5013/A	1950	80	2/2
9	S440-5023	682	80	1/2
10	S440-5024/A	1950	80	2/2
11	S440-9304	1957	659	2/2



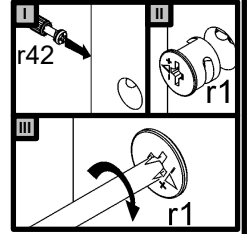
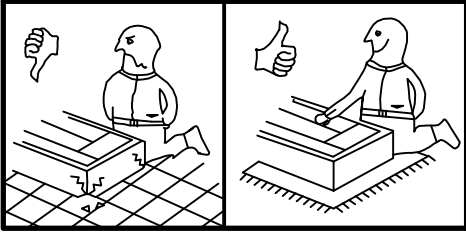
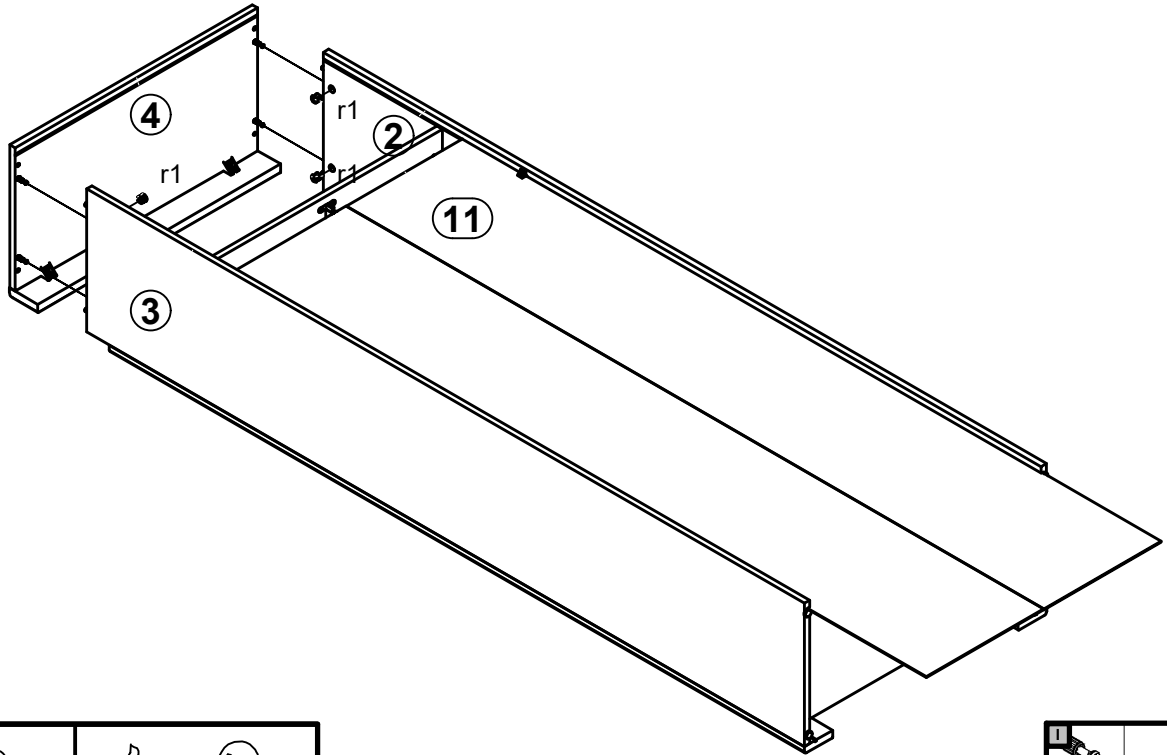
4x a132	4x b78	2x d36	8x d37	8x e2 Ø6.3x13 mm	20x f1 Ø8x30 mm	4x k1	15x l1 1.4x20 mm	11x l2
1x m6 L=300 mm	4x p27 Ø3.5x13 mm	40x p38 Ø3.5x16 mm	8x p51 Ø3.5x15 mm	16x r1 Ø15x12 mm #16	16x r42 20/11	1x z28\1	1x z28\2 82x9.5x6.5mm	1x z28\3 20x20x1.5 mm
3x z28\4 Ø3x12mm	8x s2 Ø16	2x n14\2 88x21x15/1.5	2x f35 Ø10x50 mm	2x p17 Ø5x60 mm				

1 

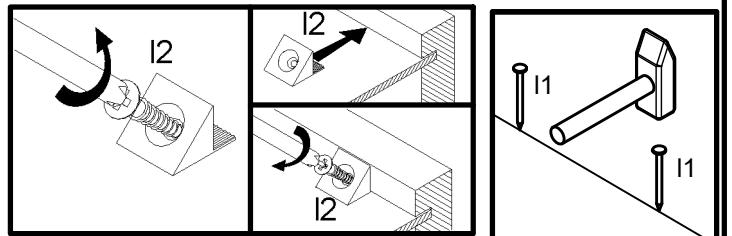
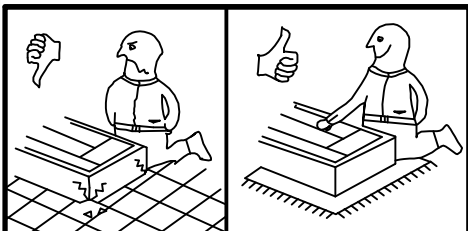
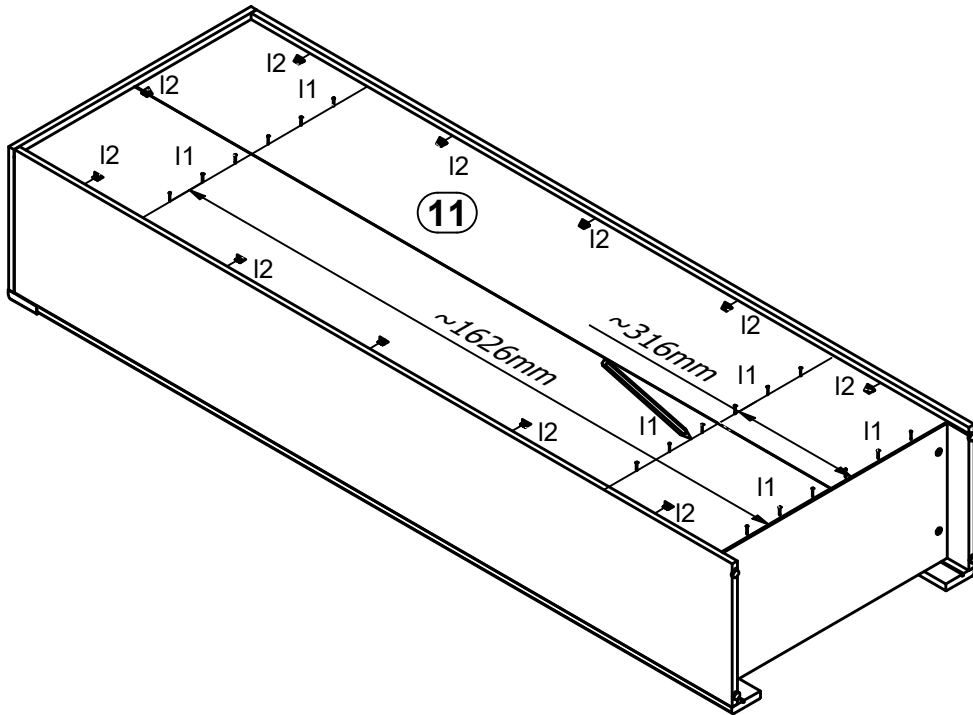




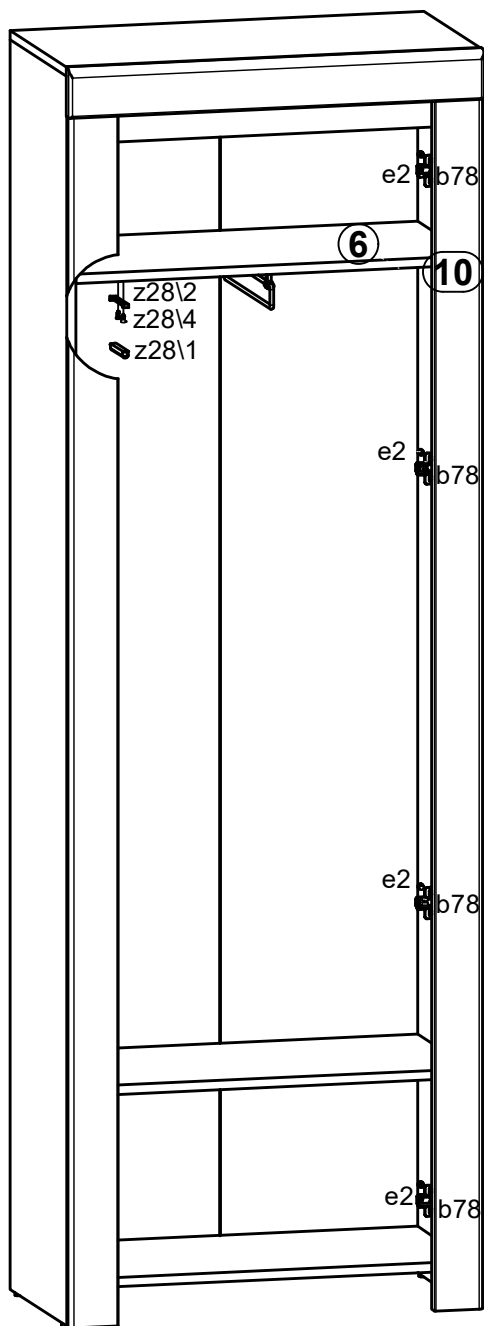
4



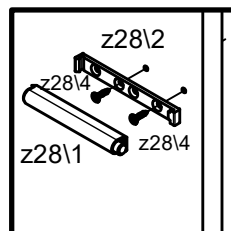
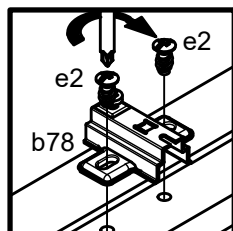
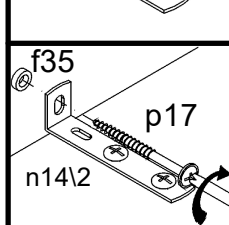
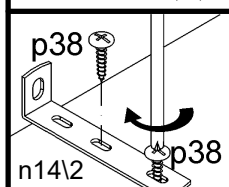
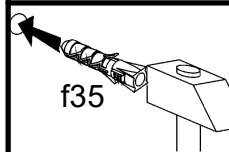
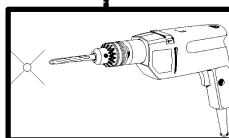
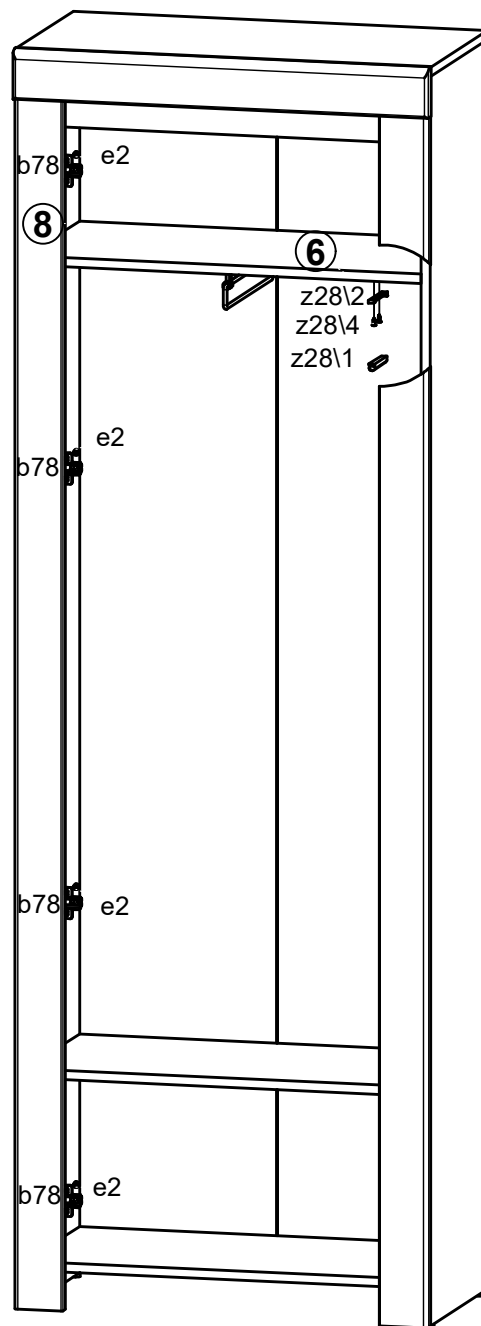
5



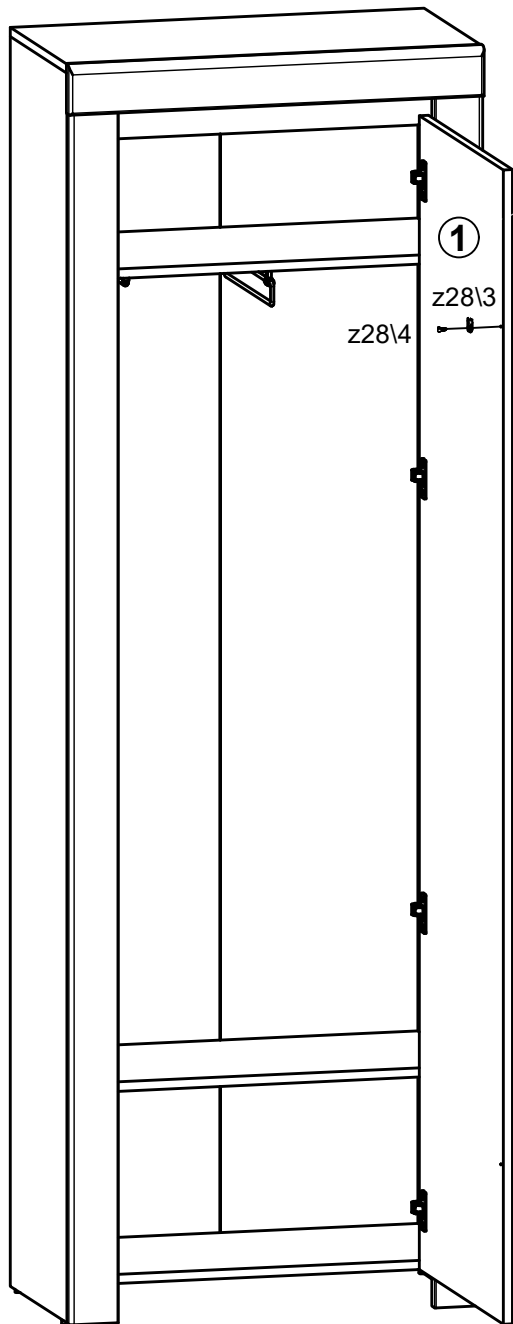
6A



6B



7A



7B

