






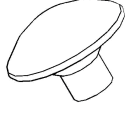





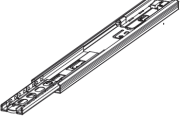
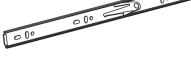

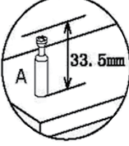
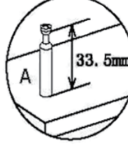
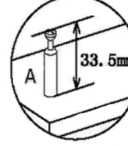
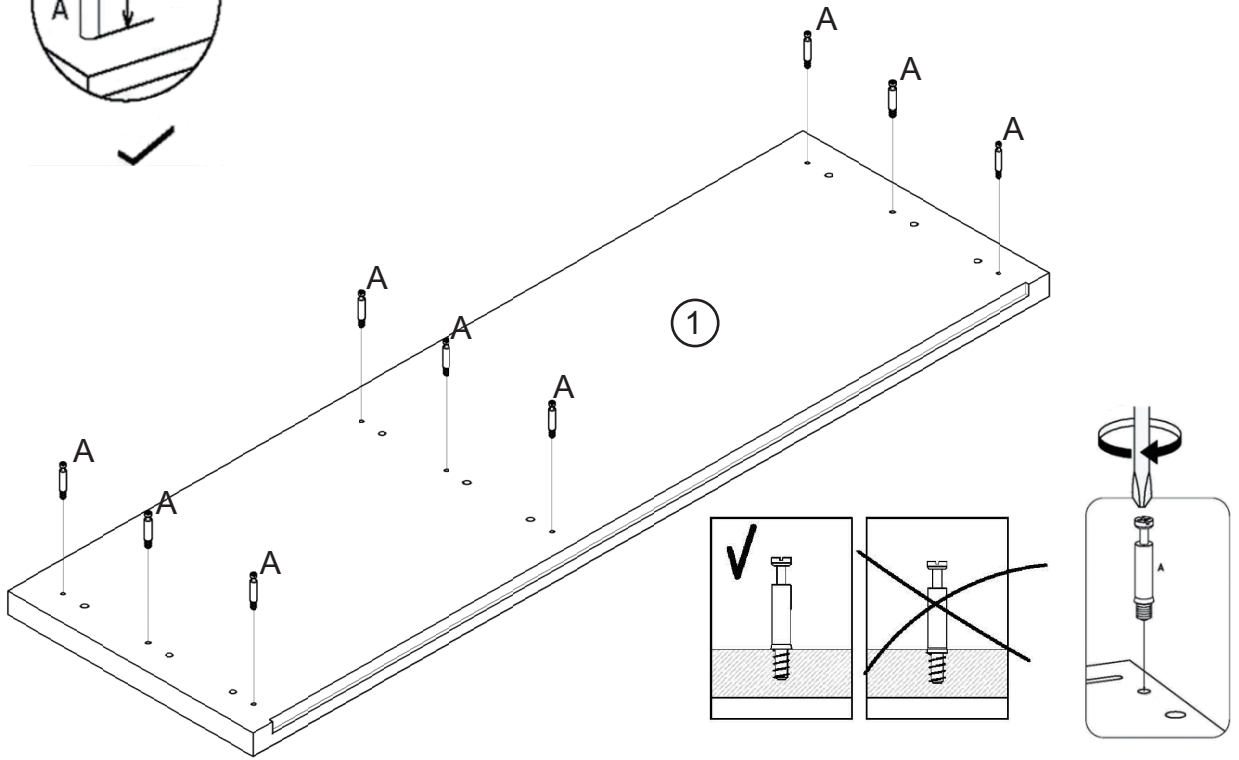
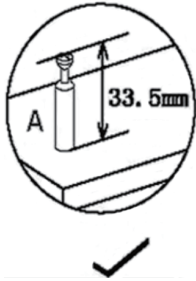
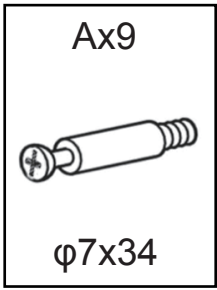
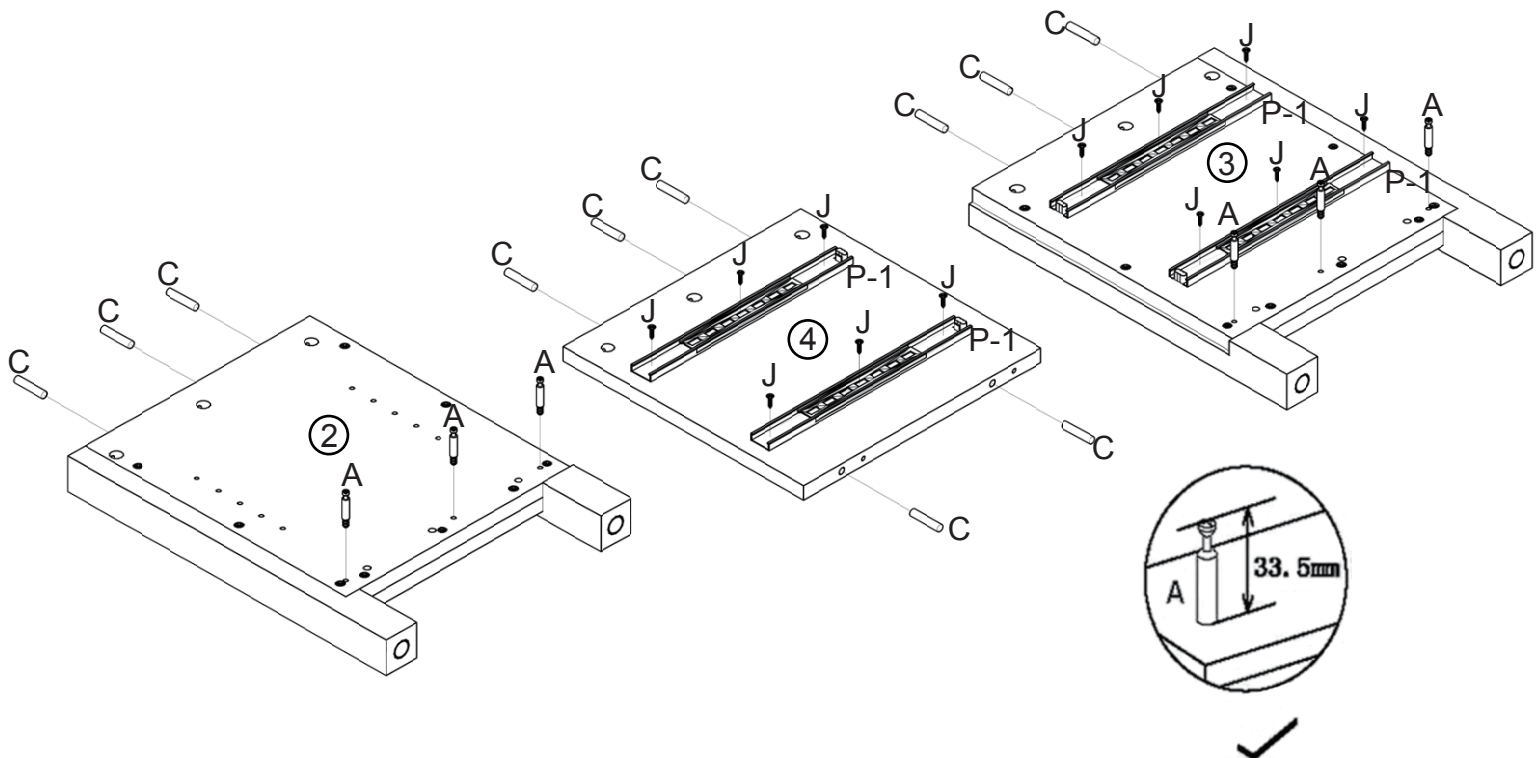
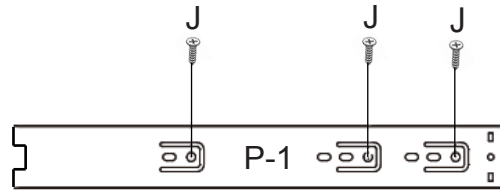
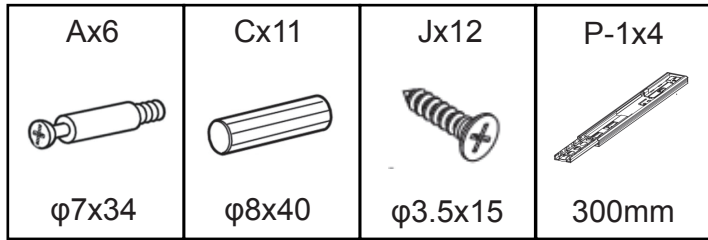


Ax23  φ7x34	Bx23  φ15x12	Cx21  φ8x40	Dx2  φ7x50	Ex4  φ5	Fx2  M4
Gx2  M4x24	Hx2  φ30	Jx24  φ3.5x15	Lx24  φ3.5x15	Mx8  φ3.5x30	Nx3  φ17
Ox1  4mm	P-1x4  300mm	P-2x4  300mm	 φ7x34  X  X  ✓		

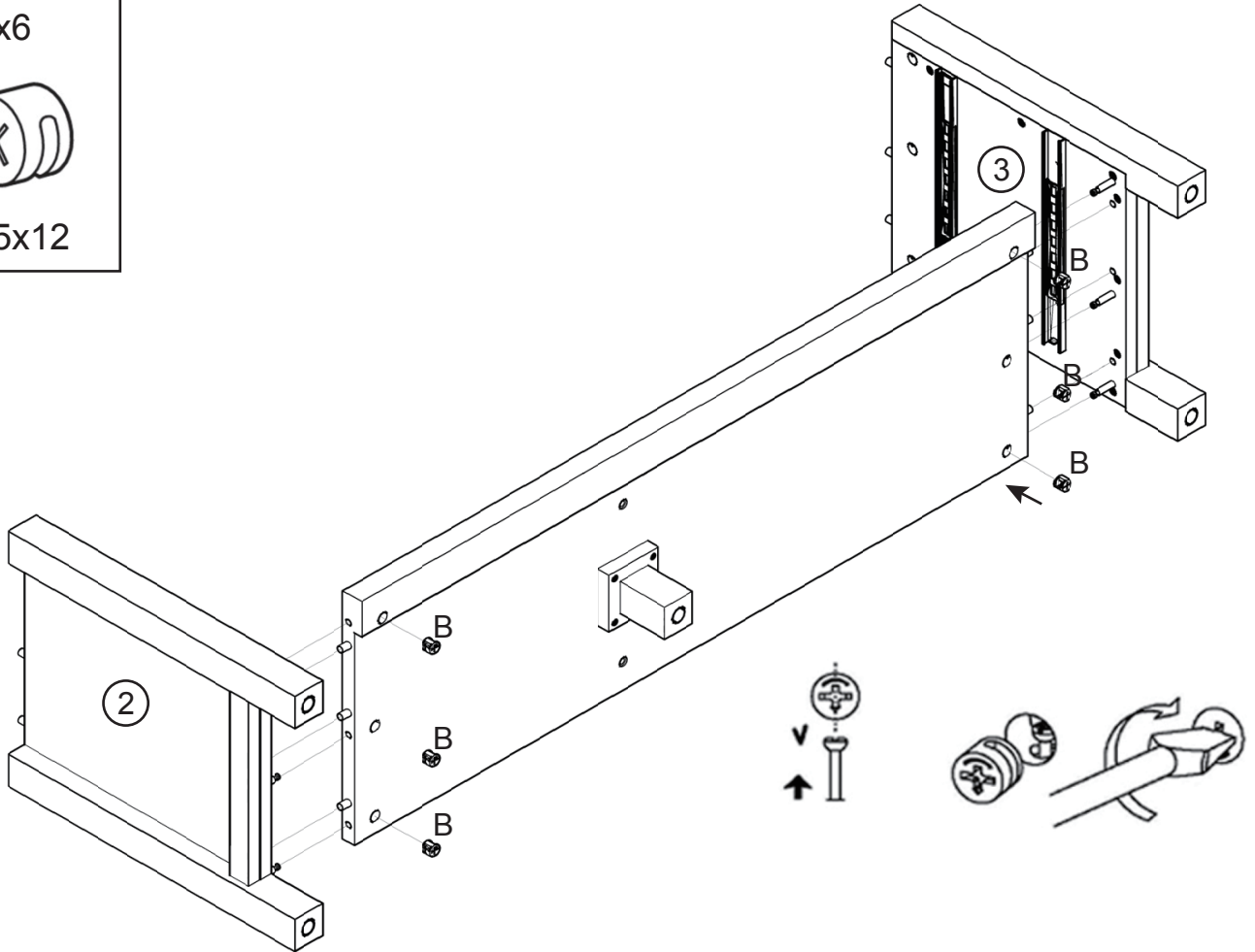
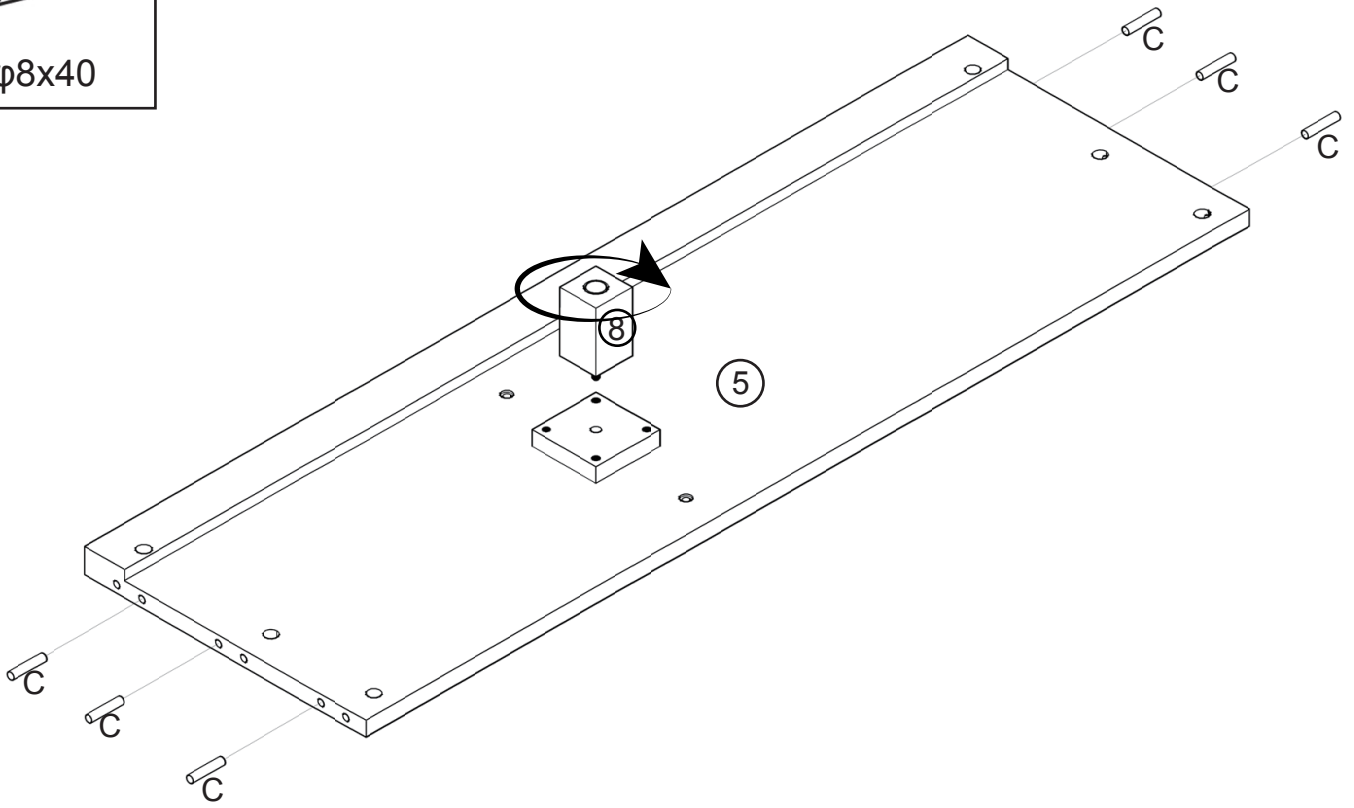
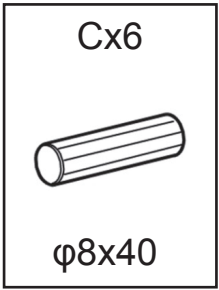
1

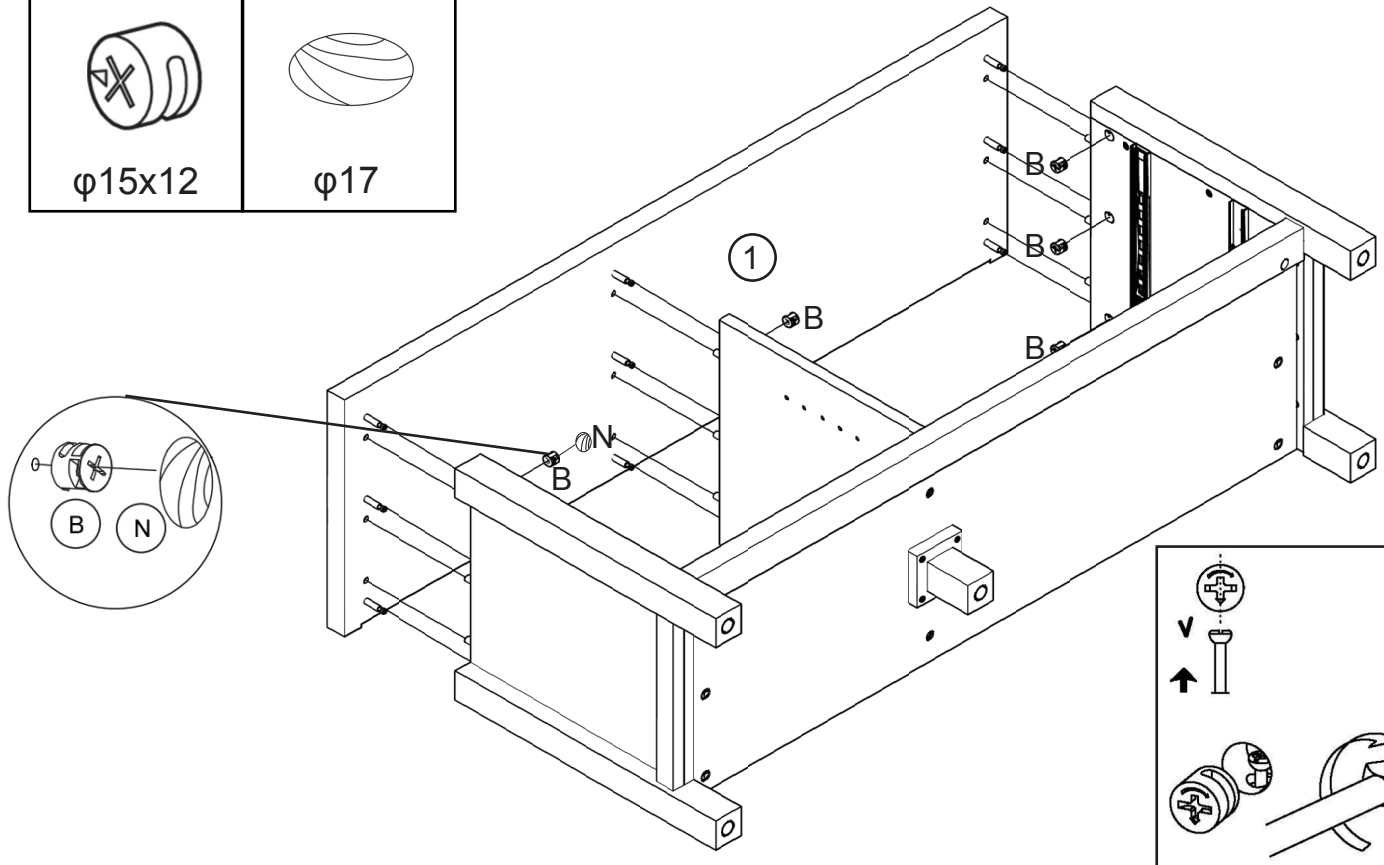
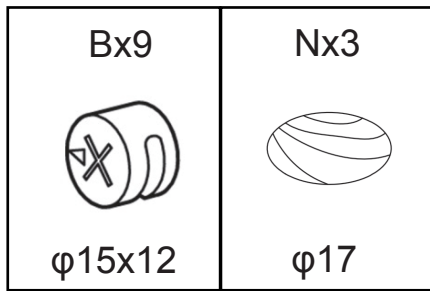
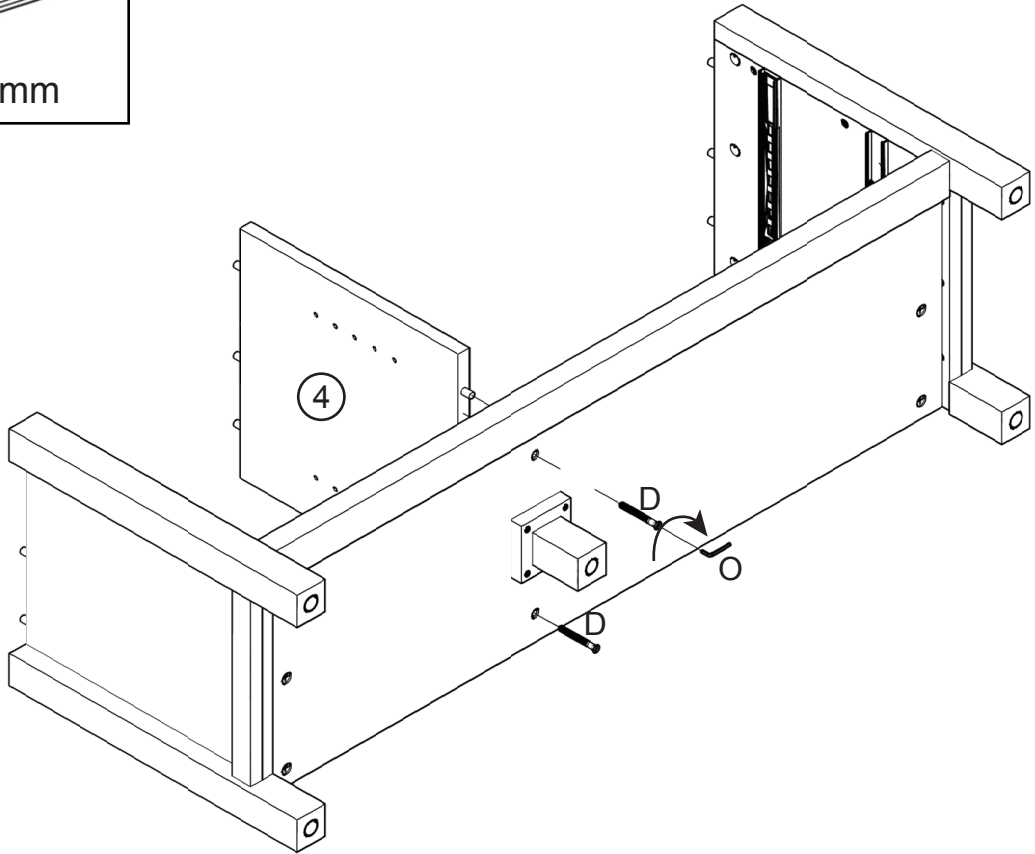
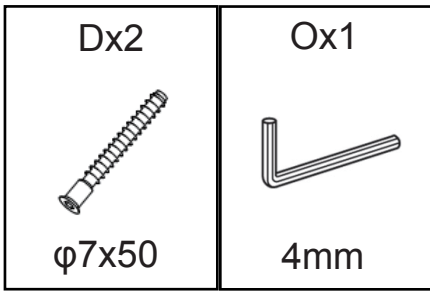



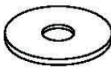
2

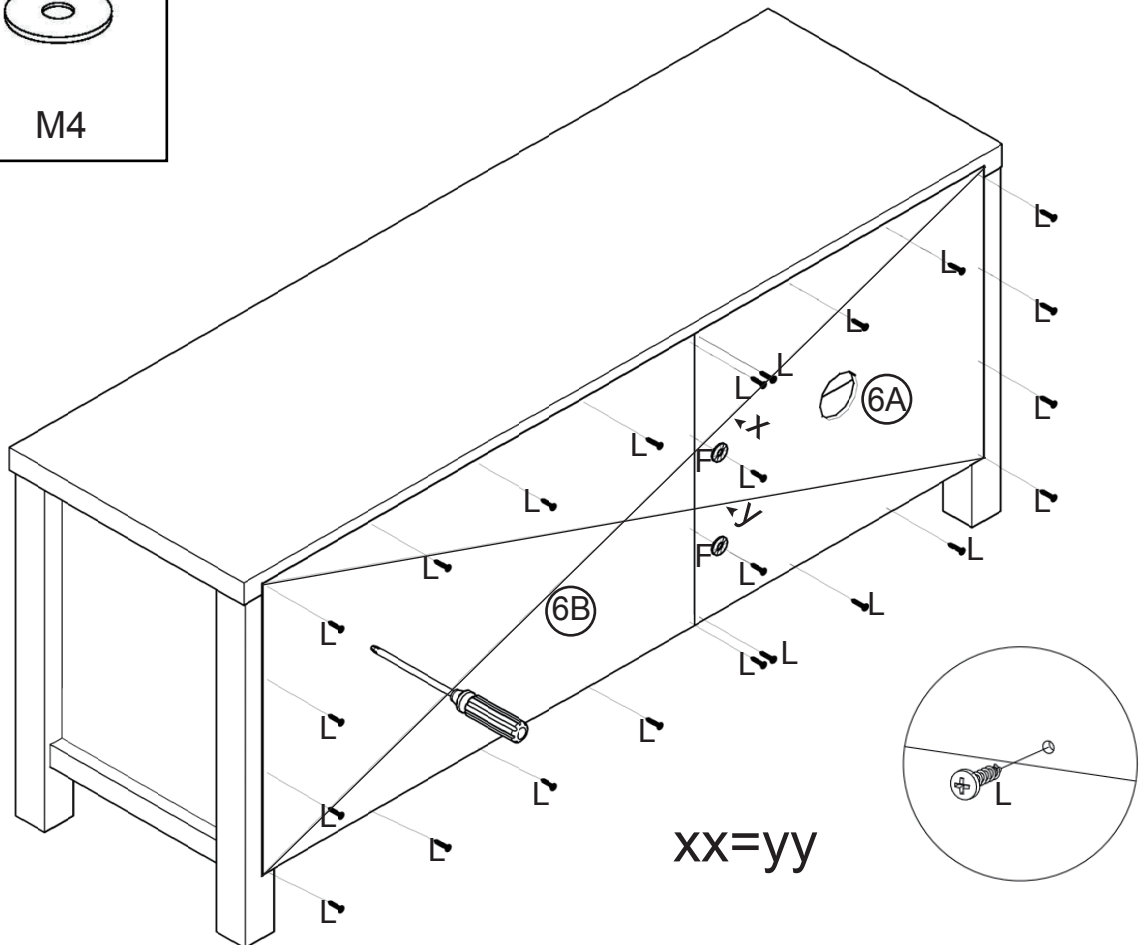




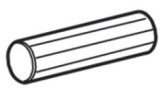
3-10

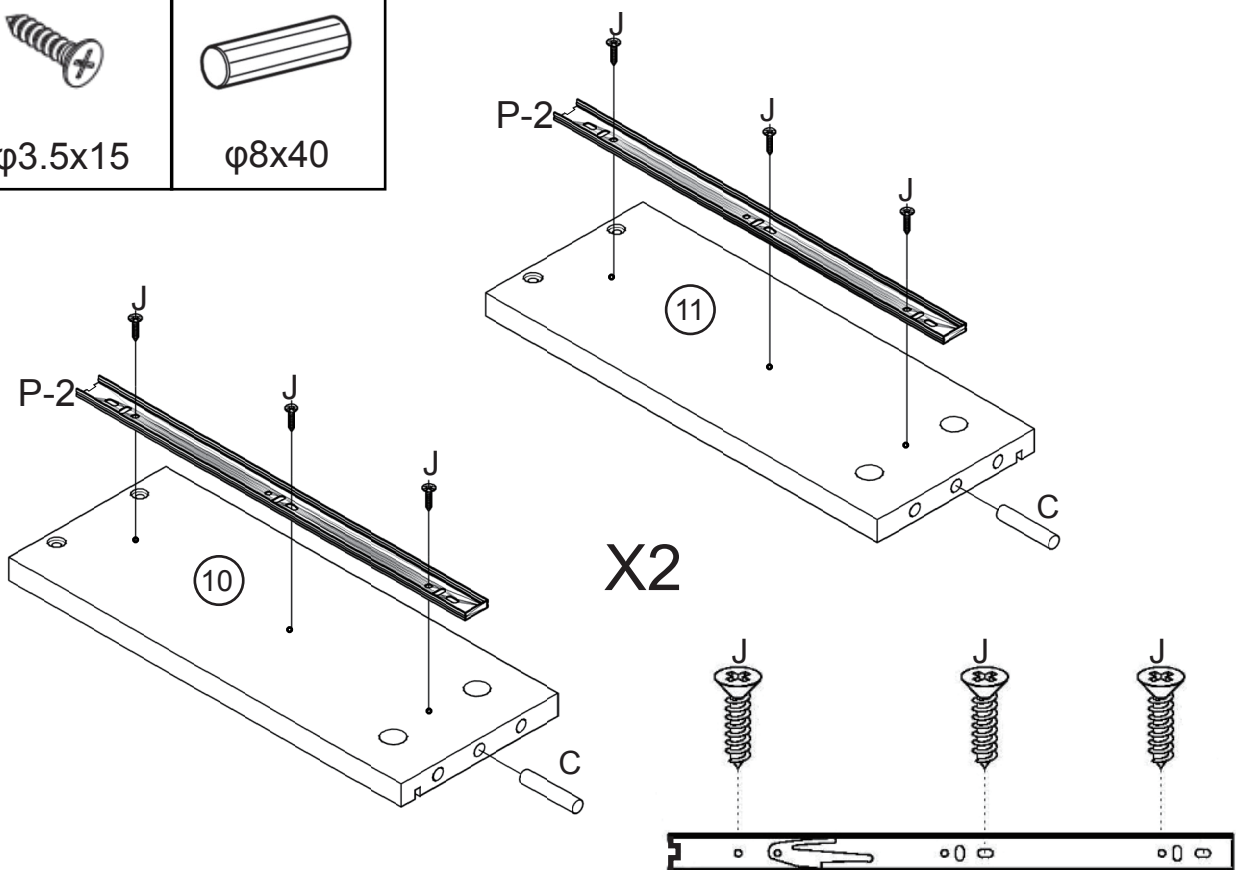




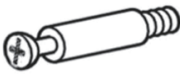


Lx24	Fx2
	
φ3.5x15	M4

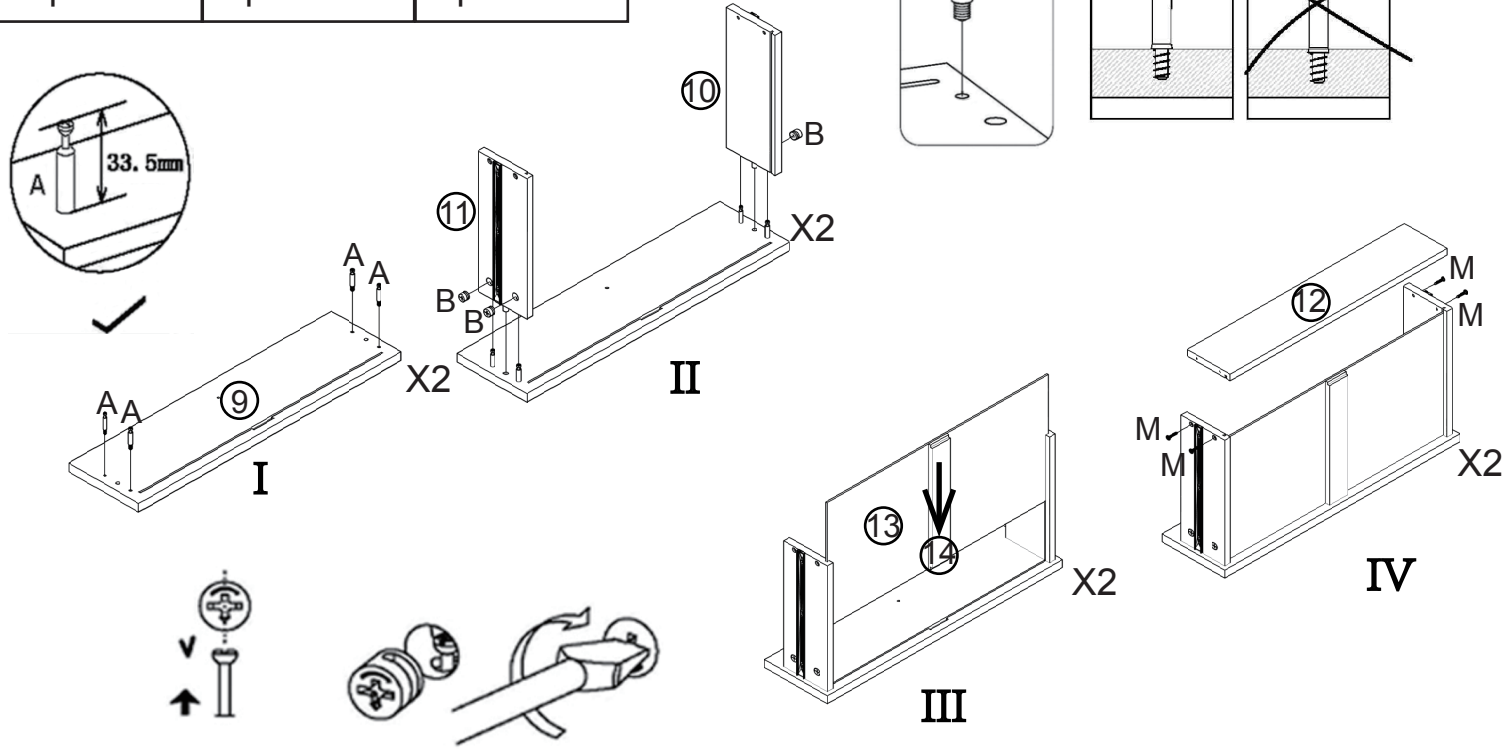
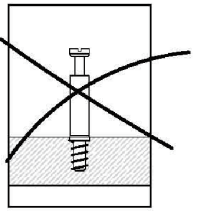
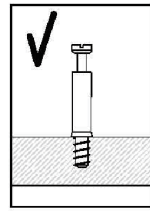
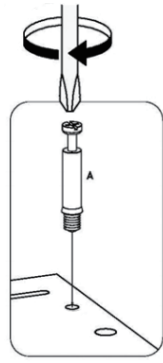
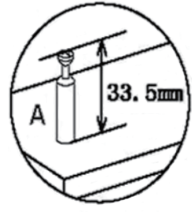



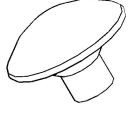
P-2x4	Jx12	Cx4
		
300mm	φ3.5x15	φ8x40



6-10

Ax8  φ7x34	Bx8  φ15x12	Mx8  φ3.5x30
--	--	---



Gx2  M4x24	Hx2  φ30
--	---

