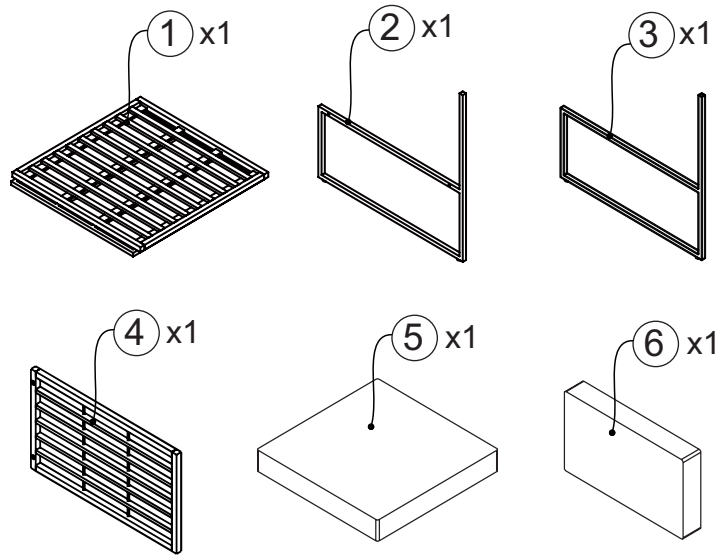
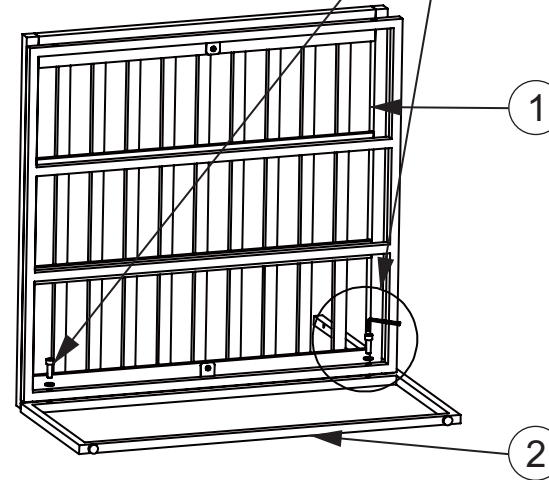
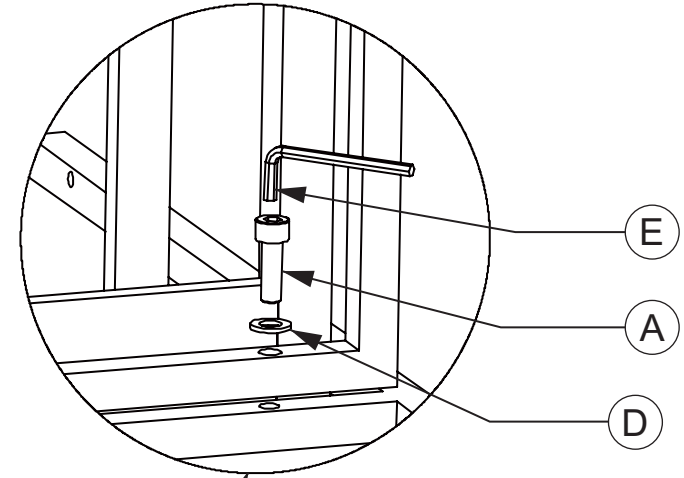








ASSEMBLY INSTRUCTION - 20080008-01

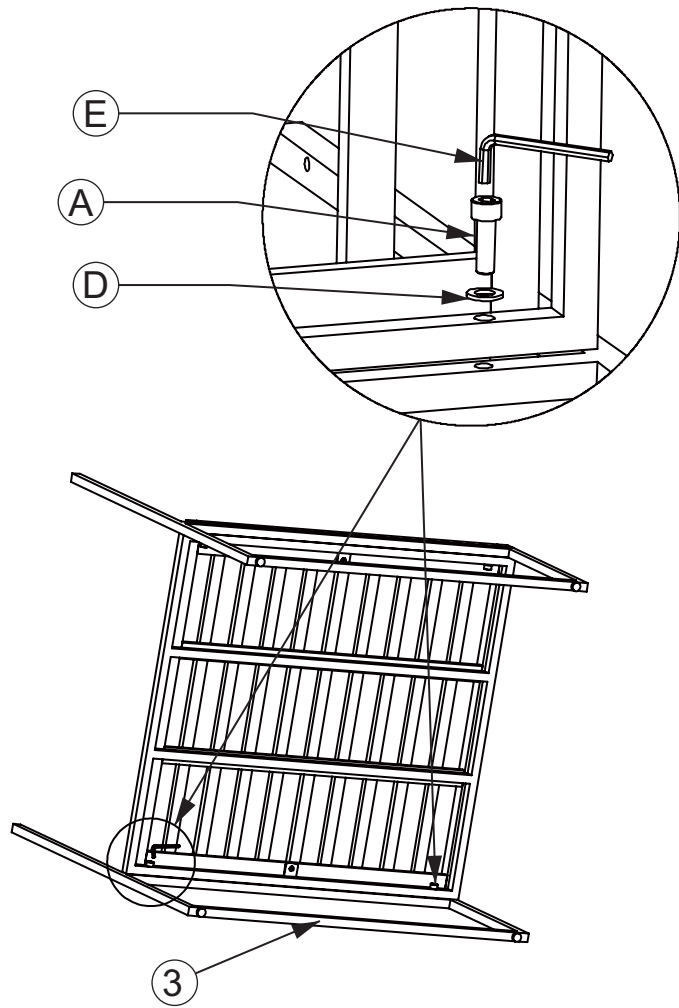


1

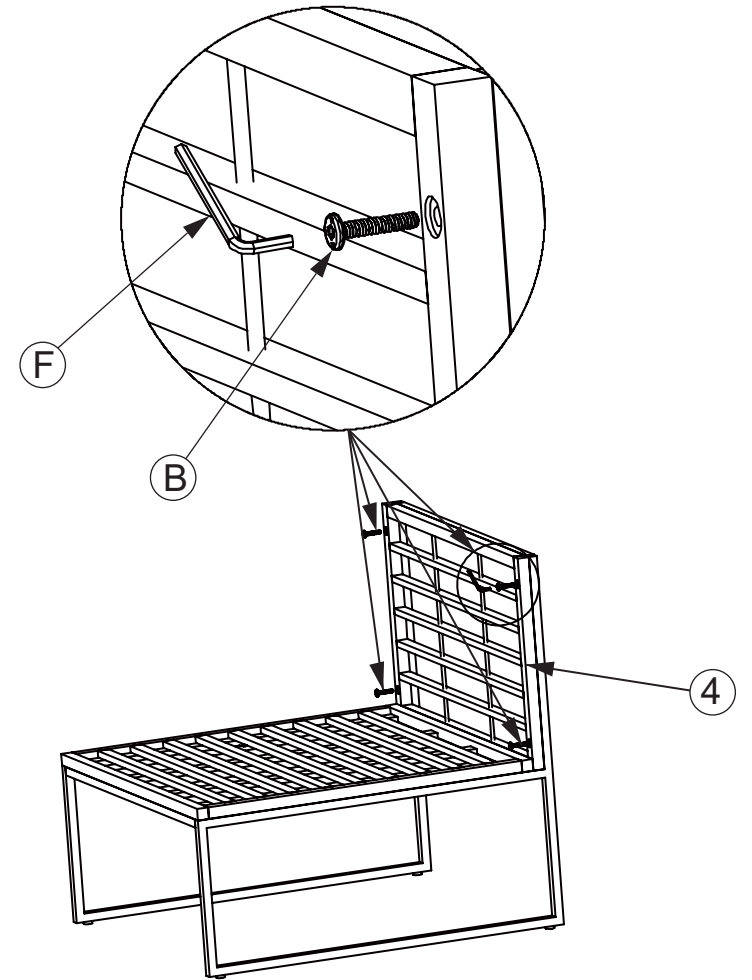


A		M8 x 30mm	x4
B		M6 x 30mm	x4
C		M6 x 30mm	x1
D		Ø8.5/15 x 2 mm	x4
E		K6	x1
F		K4	x1

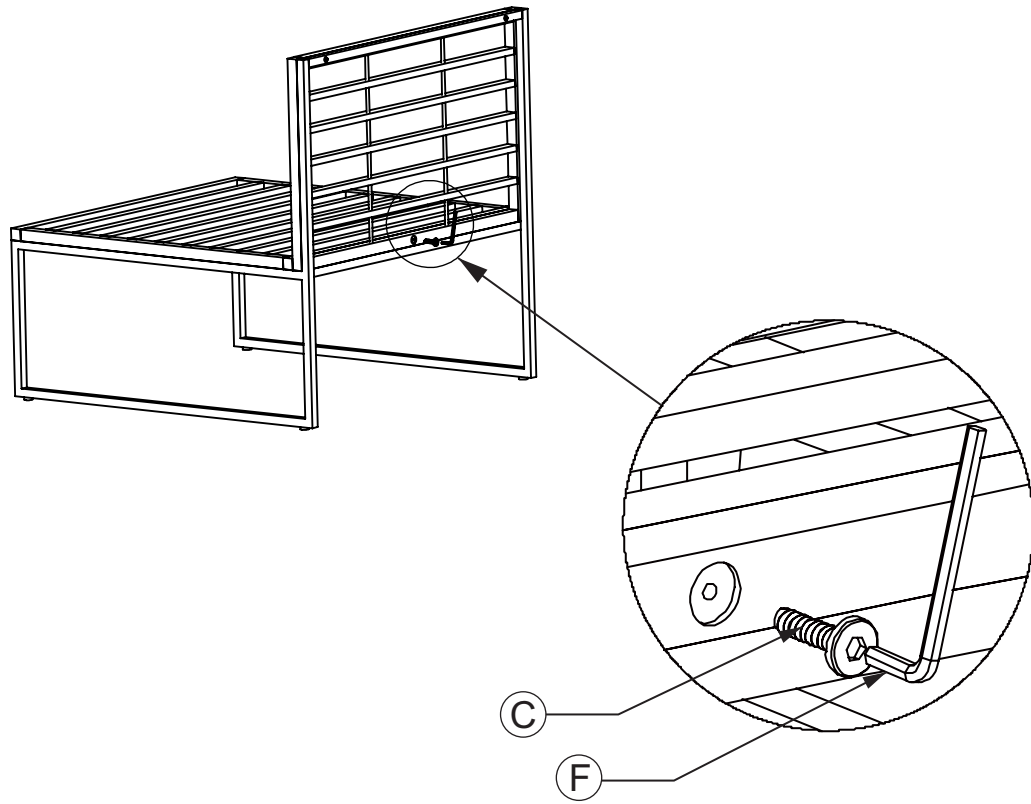
2



3



4



5

