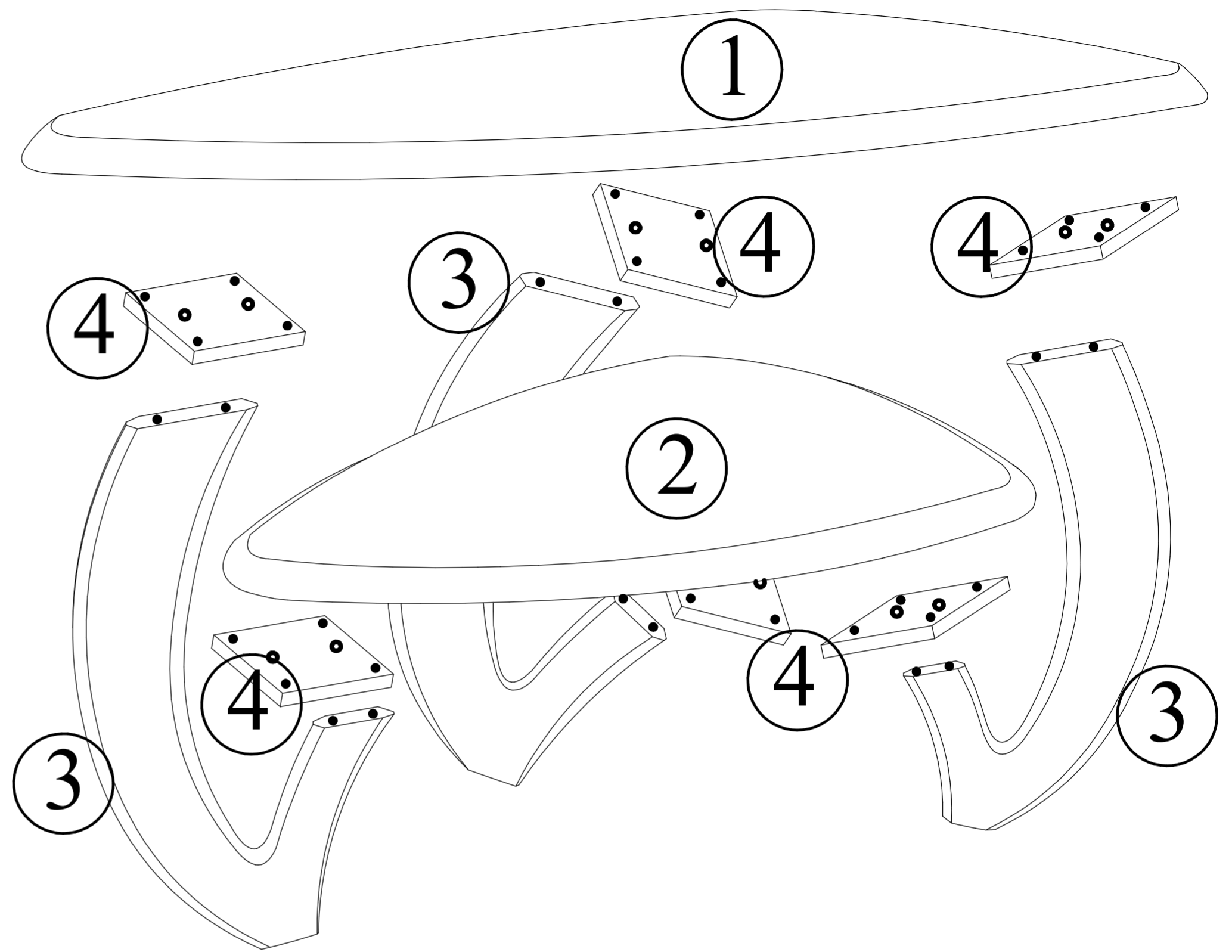
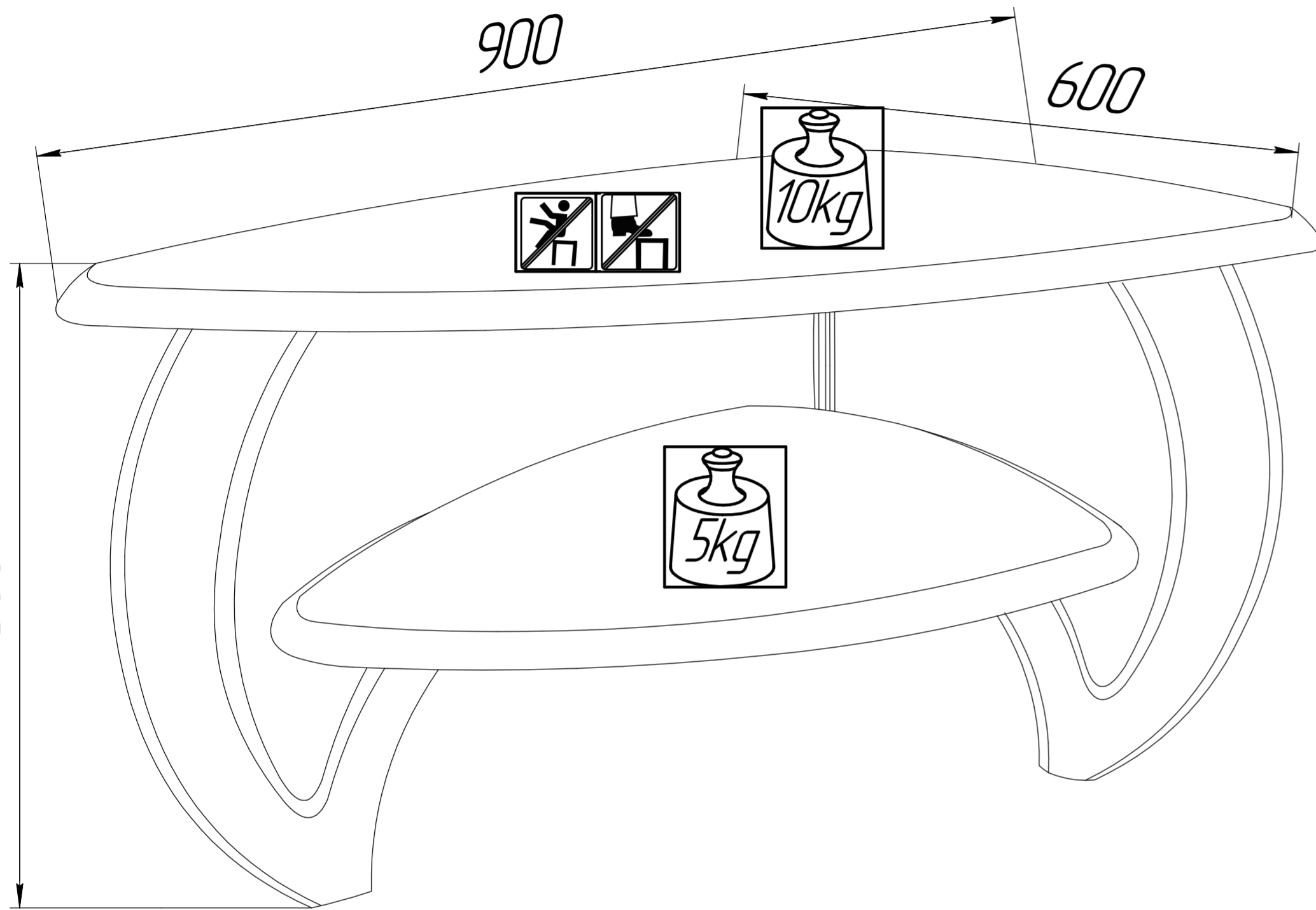
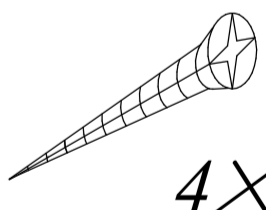
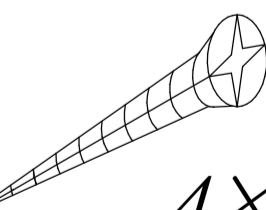
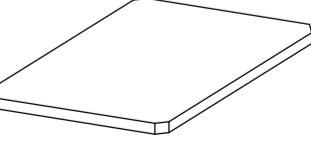
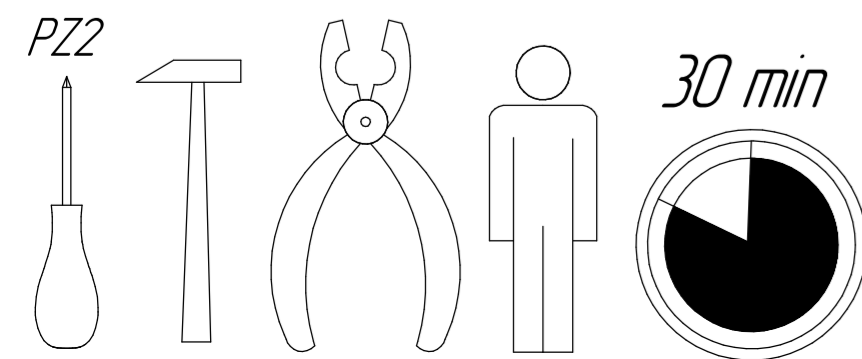


# Malmö



TEILE-NR	ANZAHL	MASS HxBxT (mm)	coll	a	
①	1	900x600x60	1.1	x24	 4x30
②	1	700x500x60	1.1	b	 4x40
③	3	460x250x25	1.1	c	
④	6	120x100x20	1.1	x3	

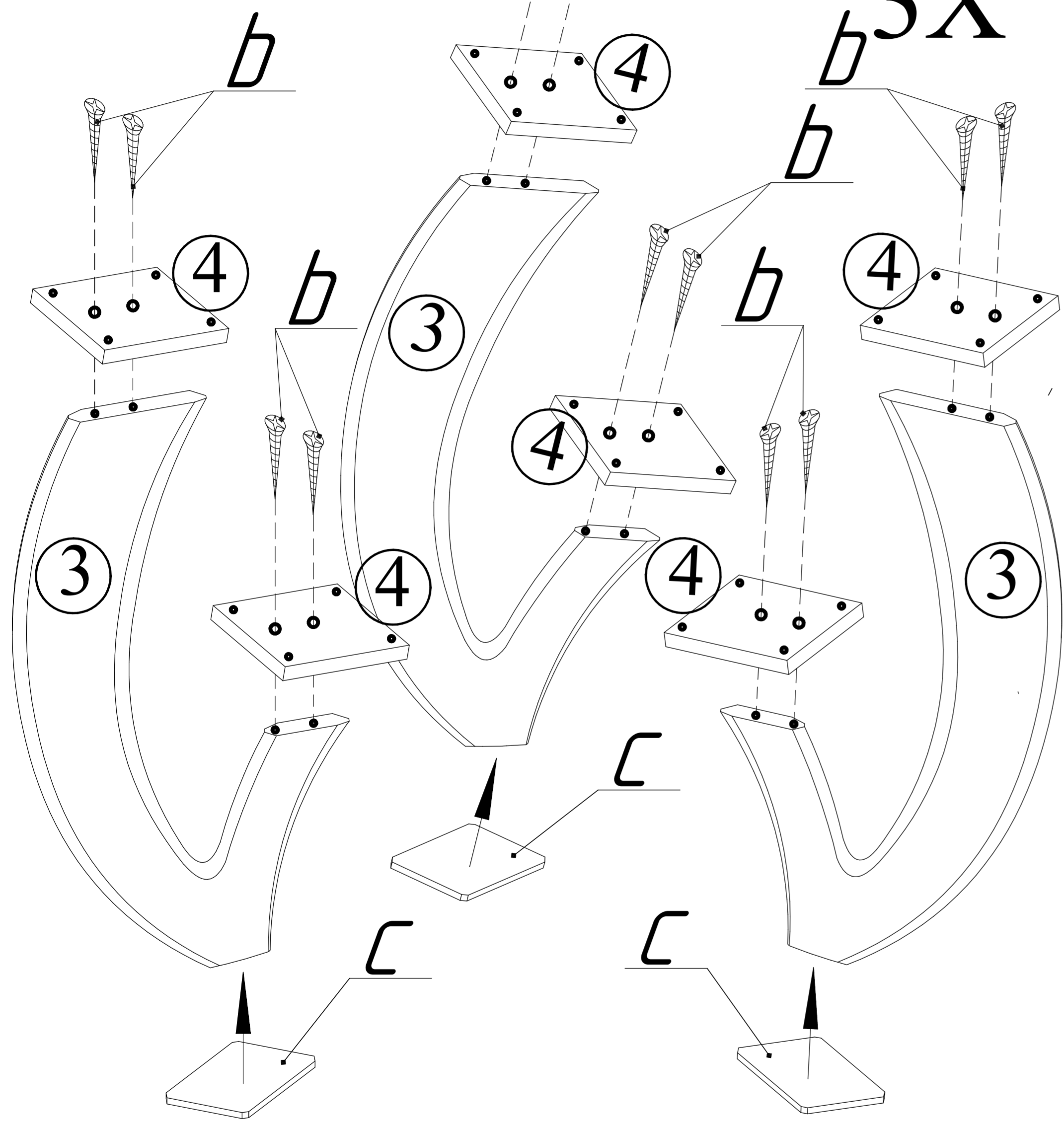


1/5

2/5

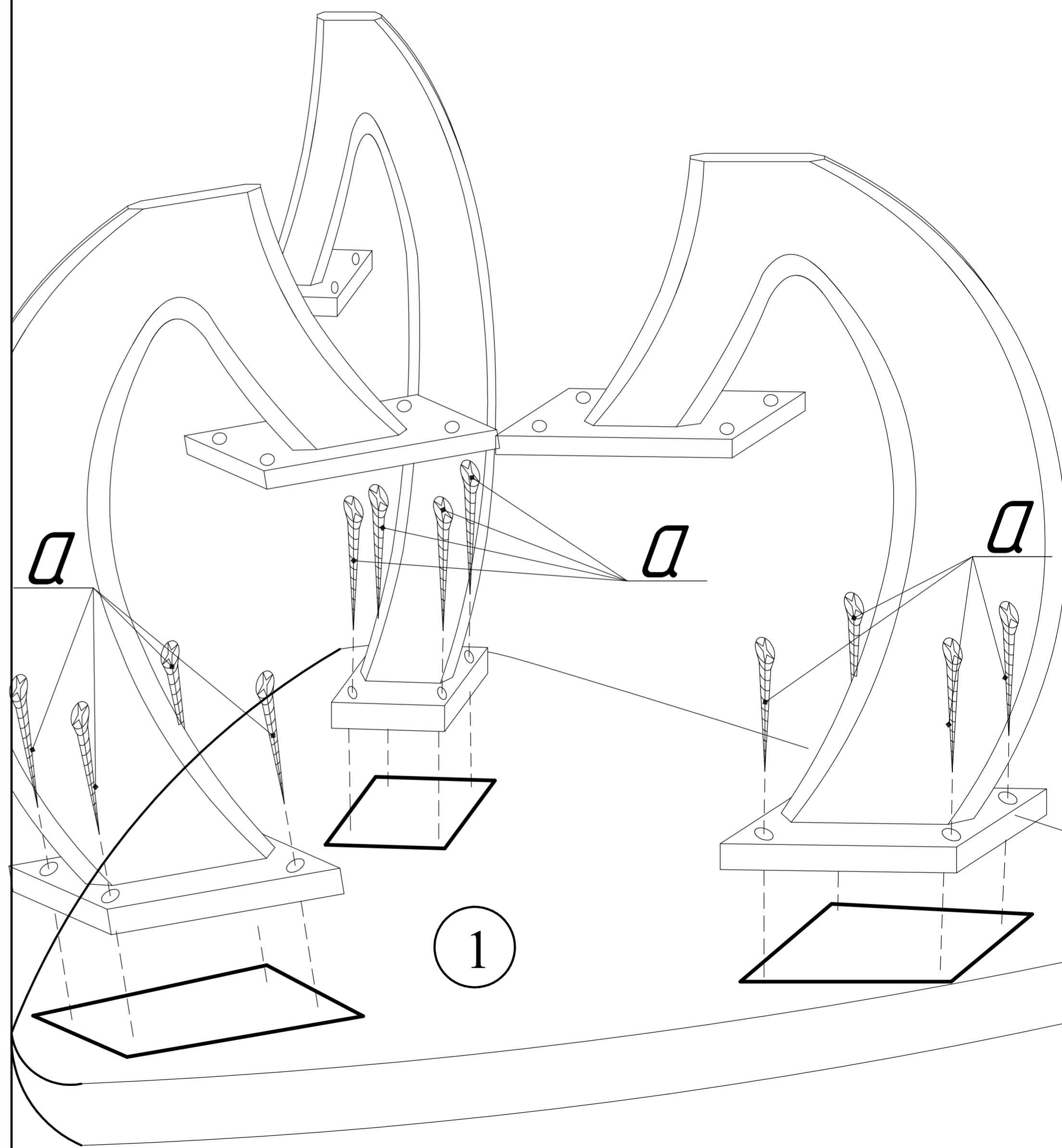
**b**  
X12 4x40

**c**  
X3



3/5

**a**  
X12 4x30



4/5

