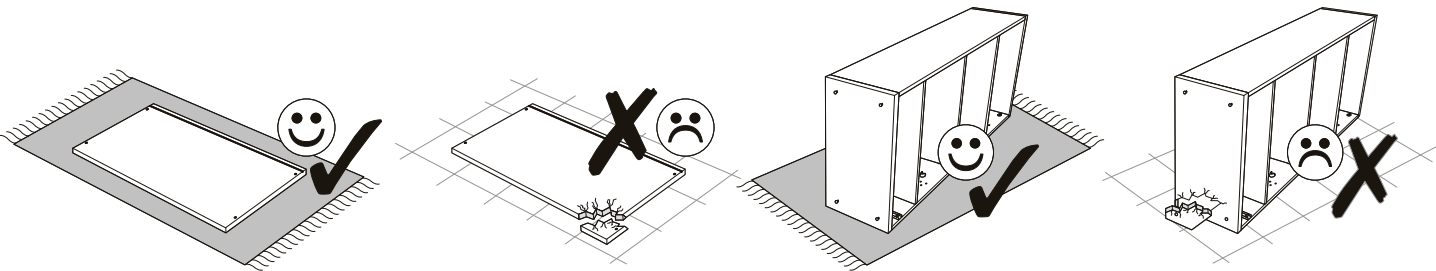
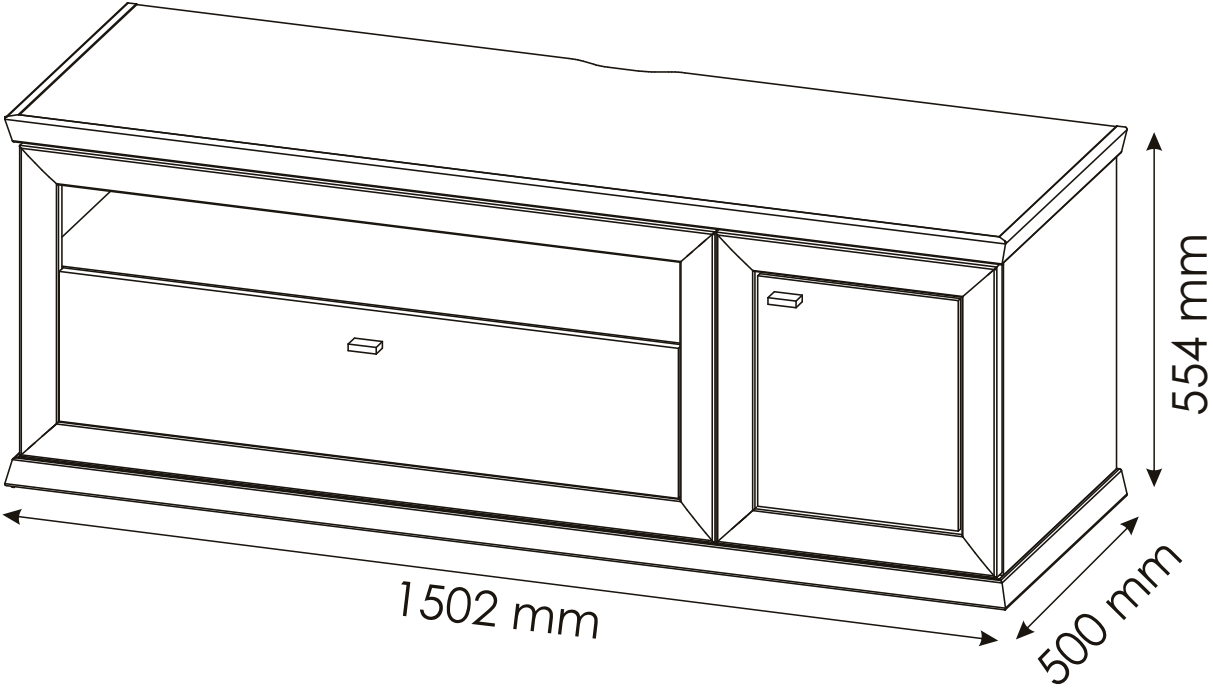
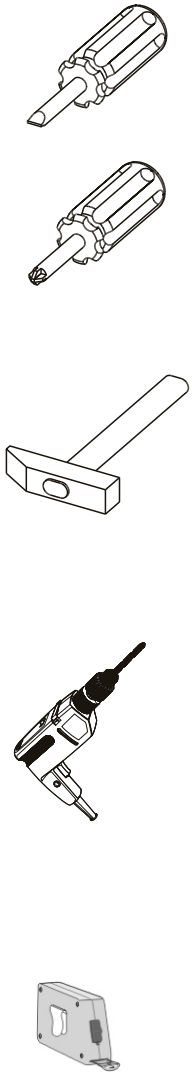
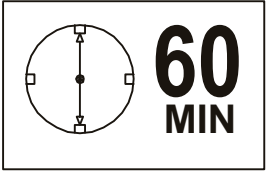
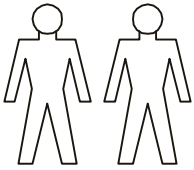
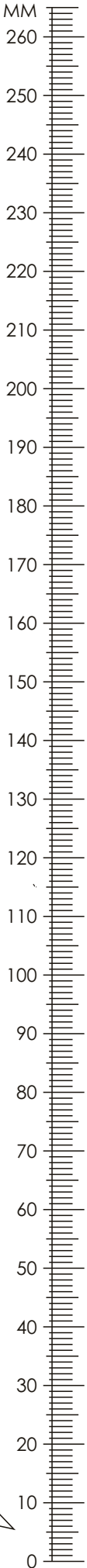

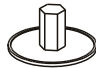





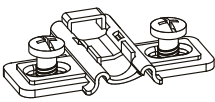
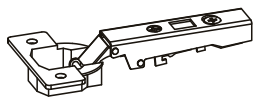
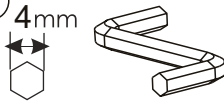

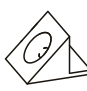
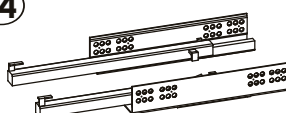
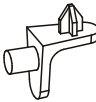



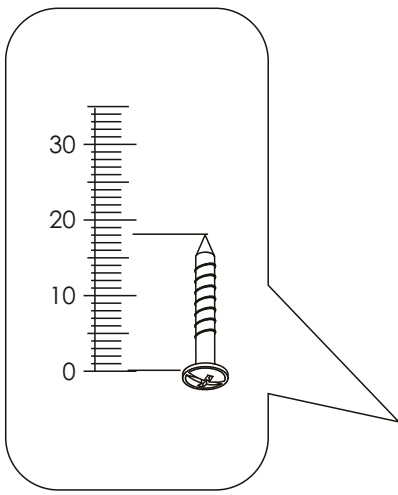
# CAMRON - TV ELEMENT



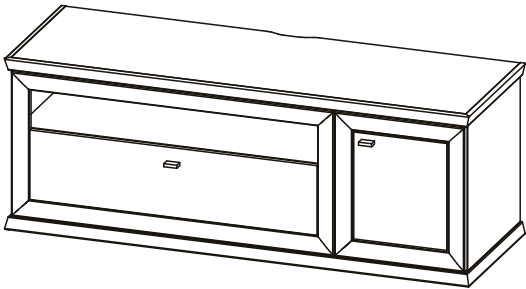
# CAMRON - TV ELEMENT




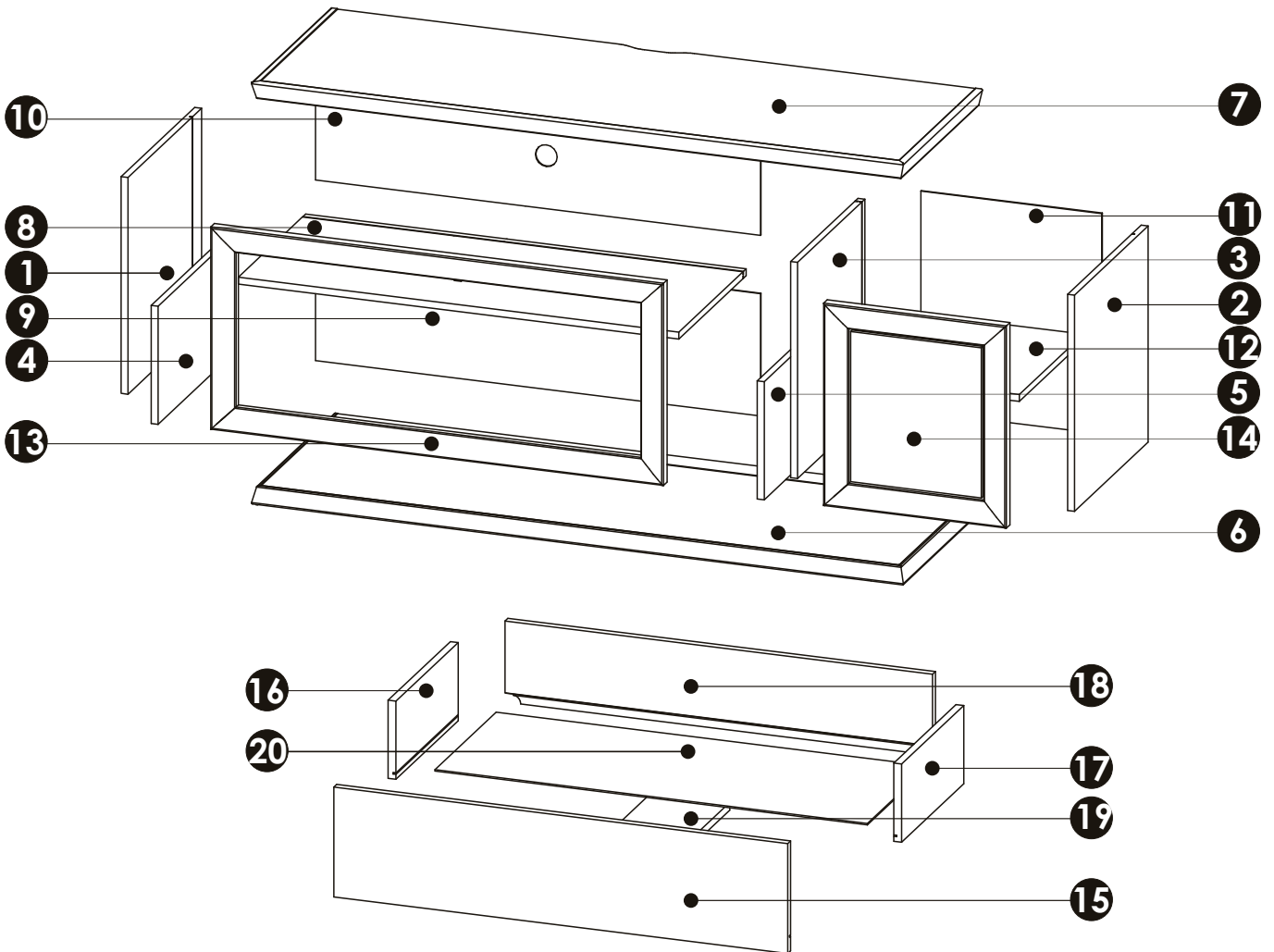
<b>B1</b> f 7 x 50 mm <b>x9</b> 	<b>C0</b> <b>x20</b> 	<b>C2</b> <b>x29</b> 
<b>D0</b> 3 x 15 mm <b>x24</b> 	<b>D10</b> 4 x 16 mm <b>x4</b> 	<b>D31</b> 6,3 x 13 mm <b>x8</b> 
<b>H2</b> 4 x 22 mm <b>x4</b> 	<b>J3</b> <b>x2</b> 	<b>J10</b> <b>x2</b> 
<b>K</b> 4mm <b>x1</b> 	<b>L6</b> <b>x2</b> 	<b>M1</b> <b>x24</b> 
<b>N14</b> <b>x1</b>  L-350mm	<b>Q3</b> <b>x4</b> 	<b>U2</b> <b>x8</b> 

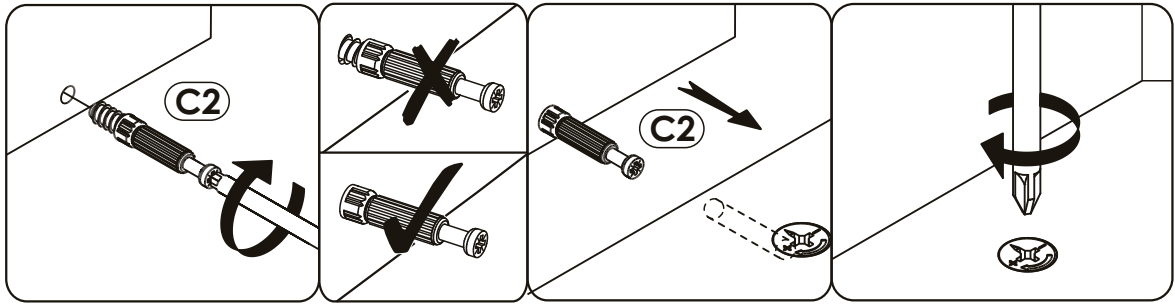


# CAMRON - TV ELEMENT

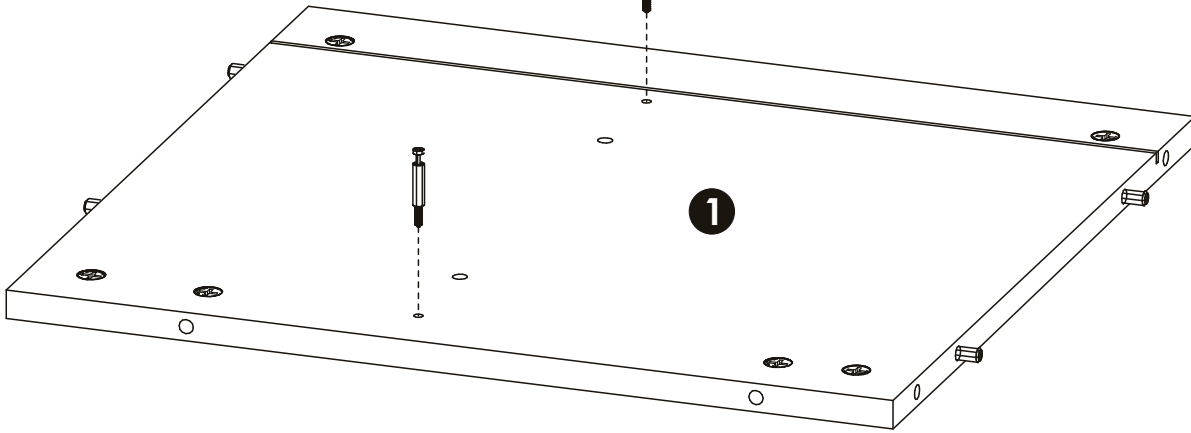
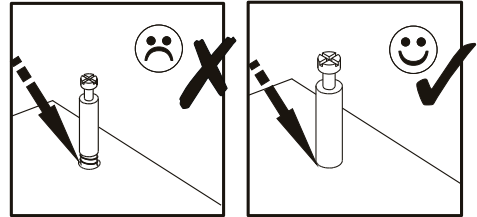
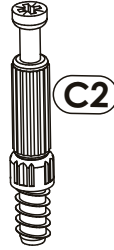
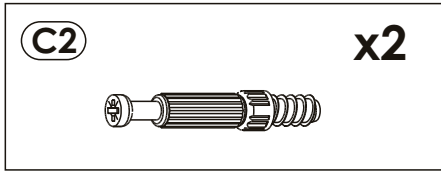


<b>1</b>	498	466	16	x1	1/2	<b>11</b>	416	508	2,8	x1	2/2
<b>2</b>	498	466	16	x1	1/2	<b>12</b>	407	406	16	x1	1/2
<b>3</b>	498	426	16	x1	1/2	<b>13</b>	1043	466	25	x1	2/2
<b>4</b>	406	272	16	x1	1/2	<b>14</b>	466	421	25	x1	2/2
<b>5</b>	406	272	16	x1	1/2	<b>15</b>	929	225	16	x1	1/2
<b>6</b>	1502	501	40	x1	2/2	<b>16</b>	350	160	16	x1	1/2
<b>7</b>	1502	501	40	x1	2/2	<b>17</b>	350	160	16	x1	1/2
<b>8</b>	1015	426	16	x1	1/2	<b>18</b>	875	163	16	x1	1/2
<b>9</b>	1024	281	2,8	x1	1/2	<b>19</b>	334	160	16	x1	1/2
<b>10</b>	1024	219	2,8	x1	2/2	<b>20</b>	885	344	2,8	x1	1/2
											1/2

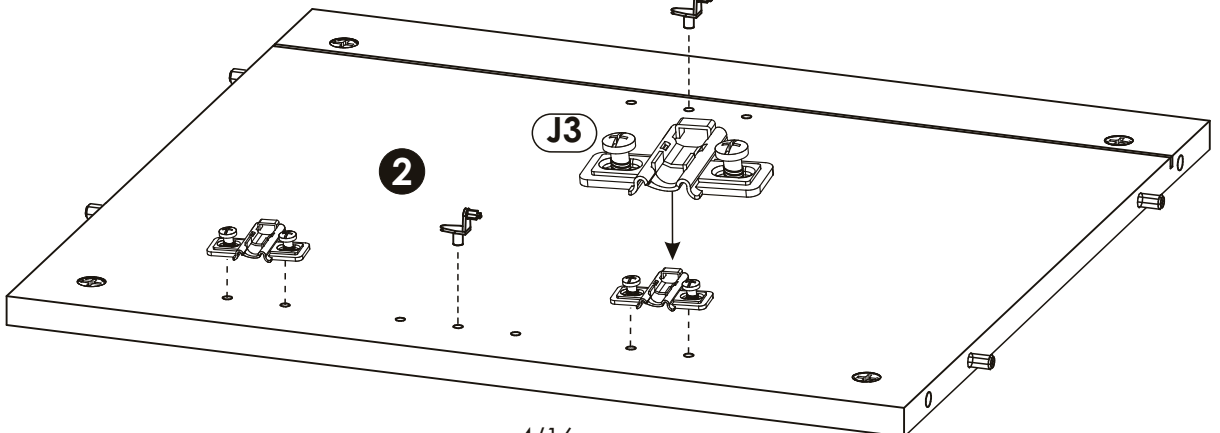
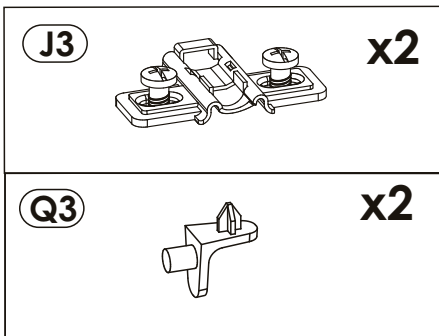




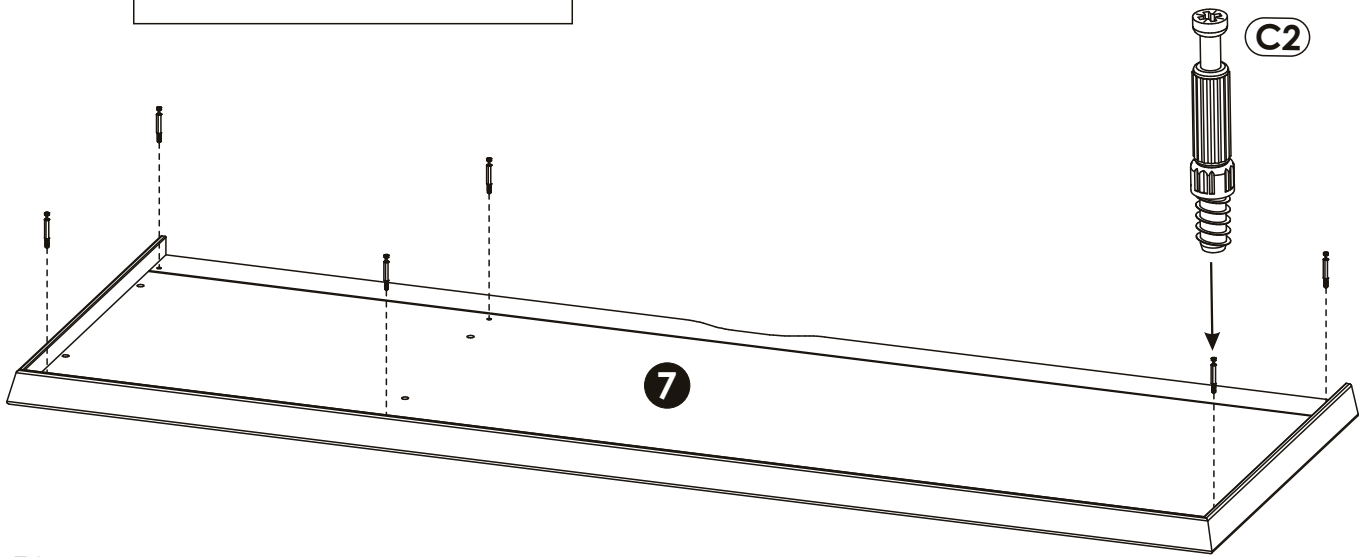
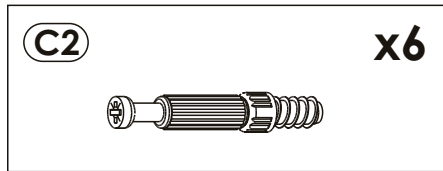
1▷



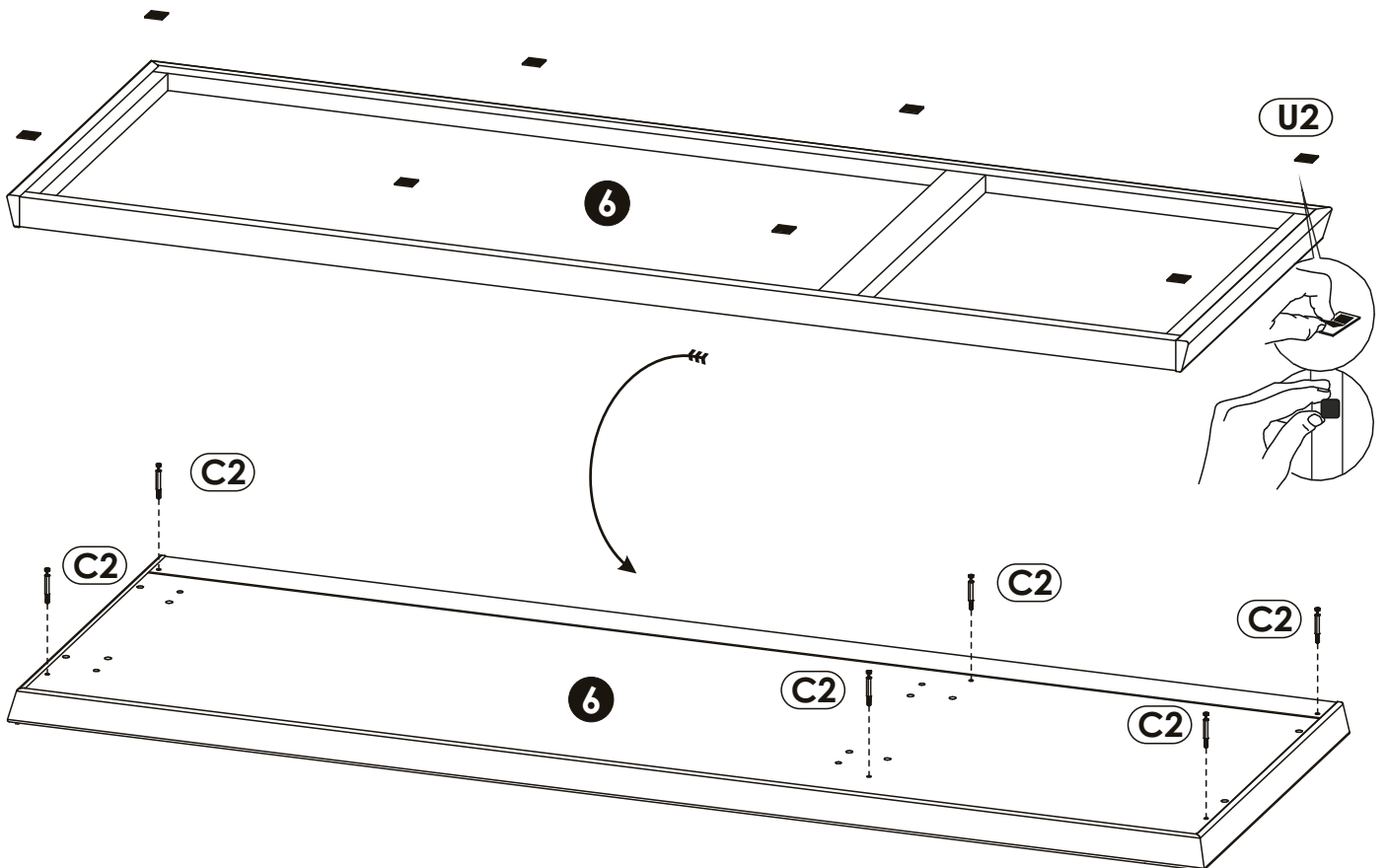
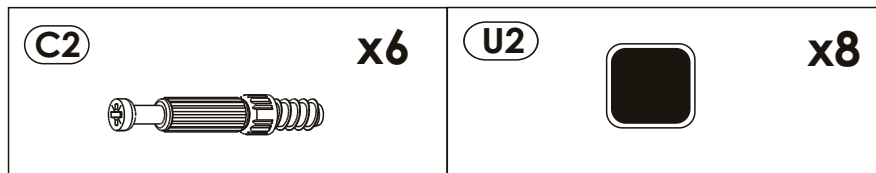
2▷



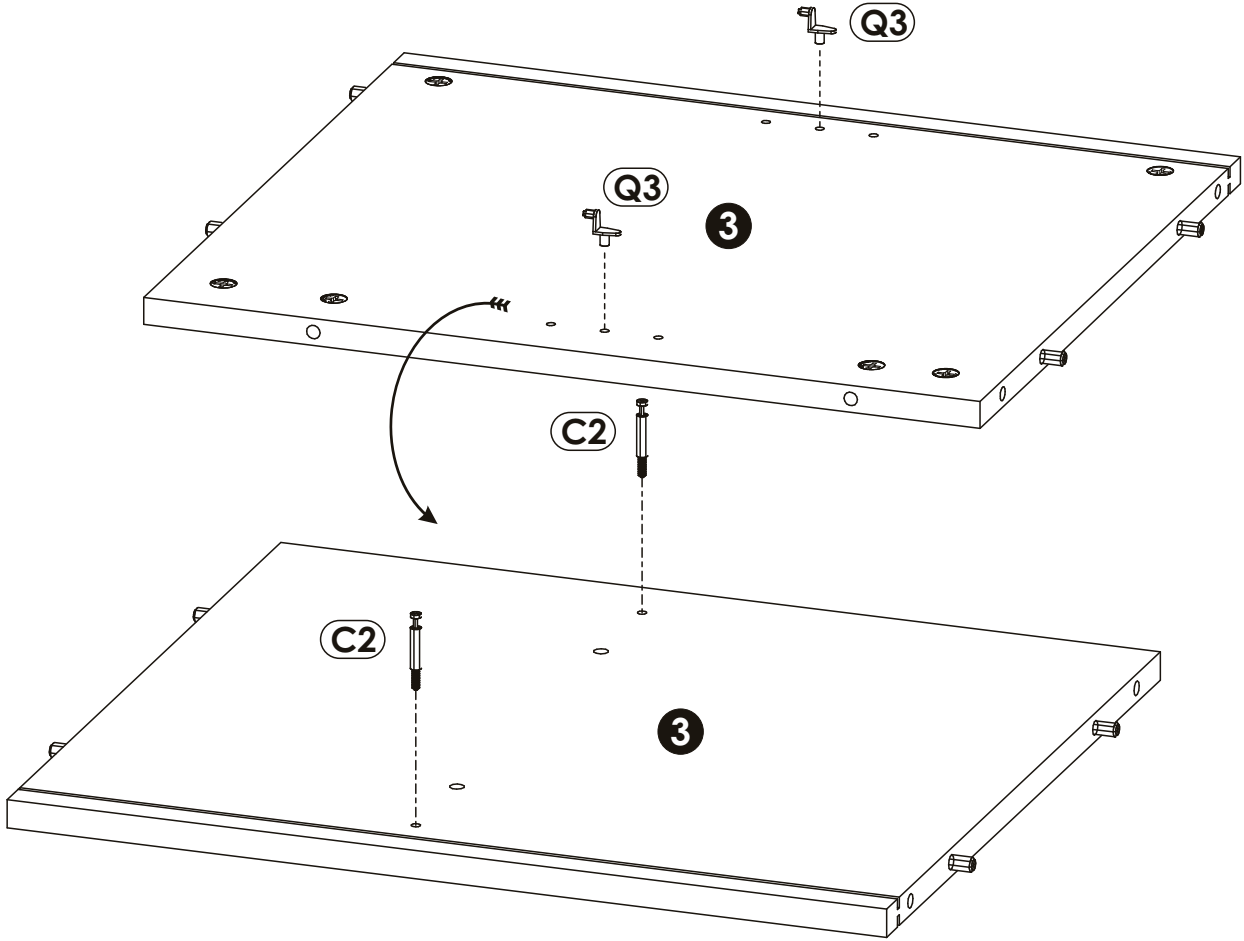
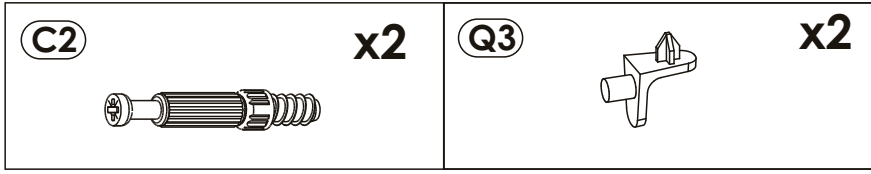
3▷



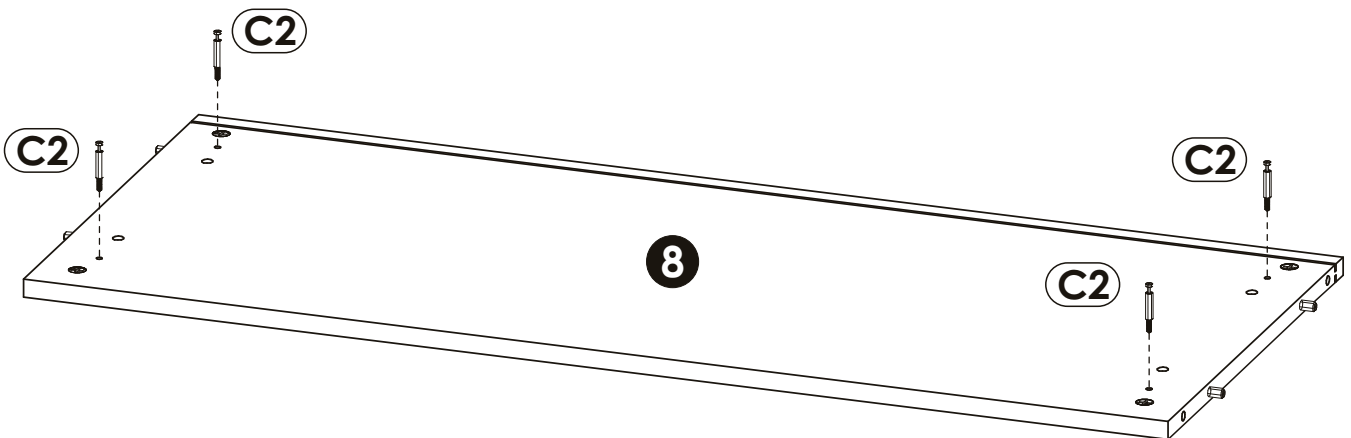
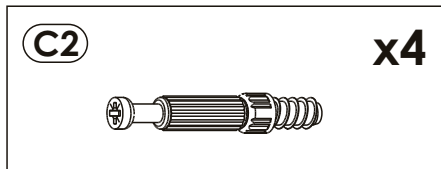
4▷



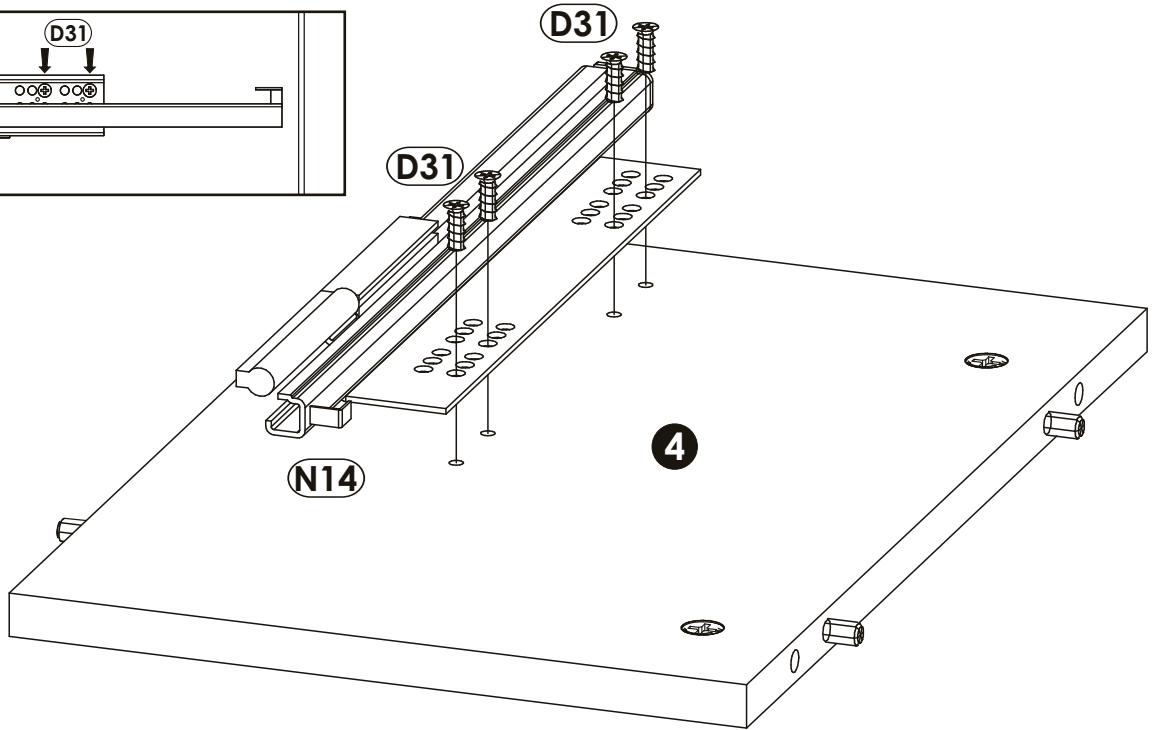
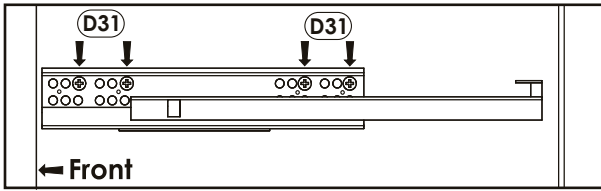
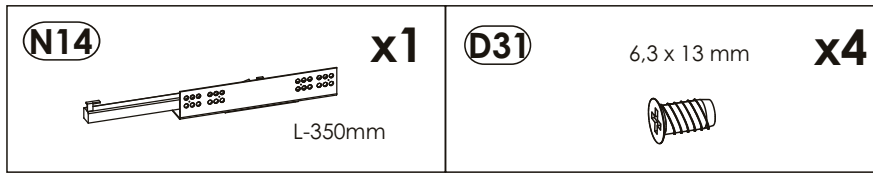
5▷



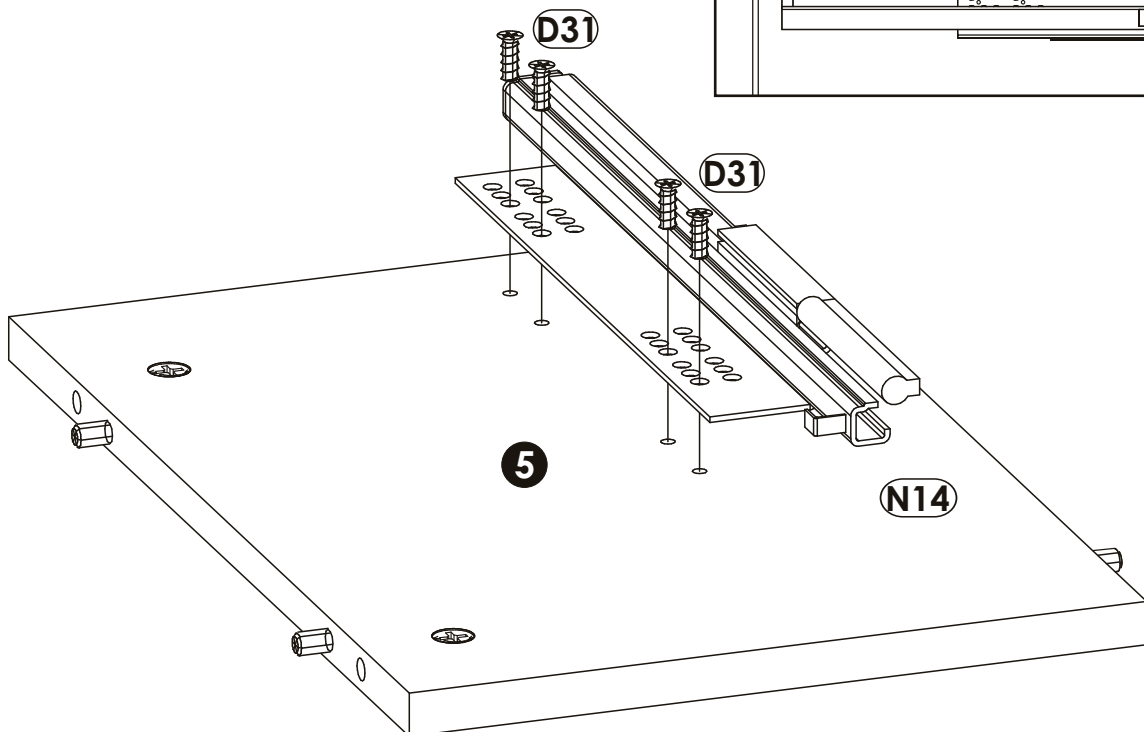
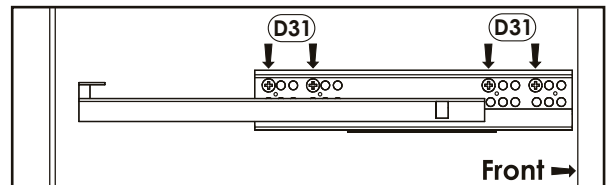
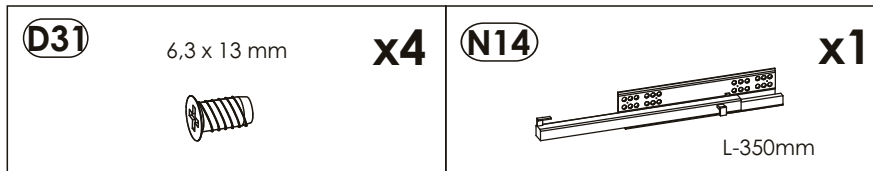
6▷



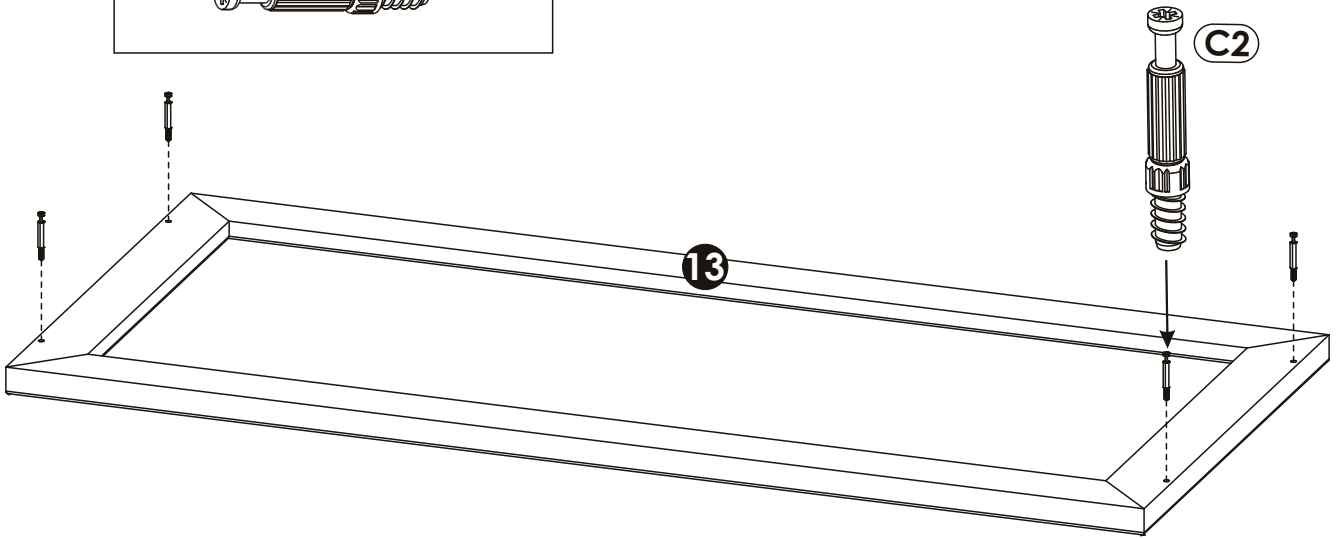
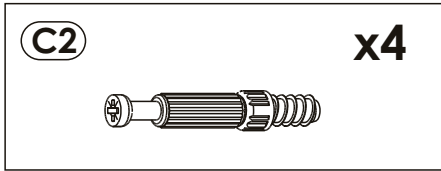
7▷



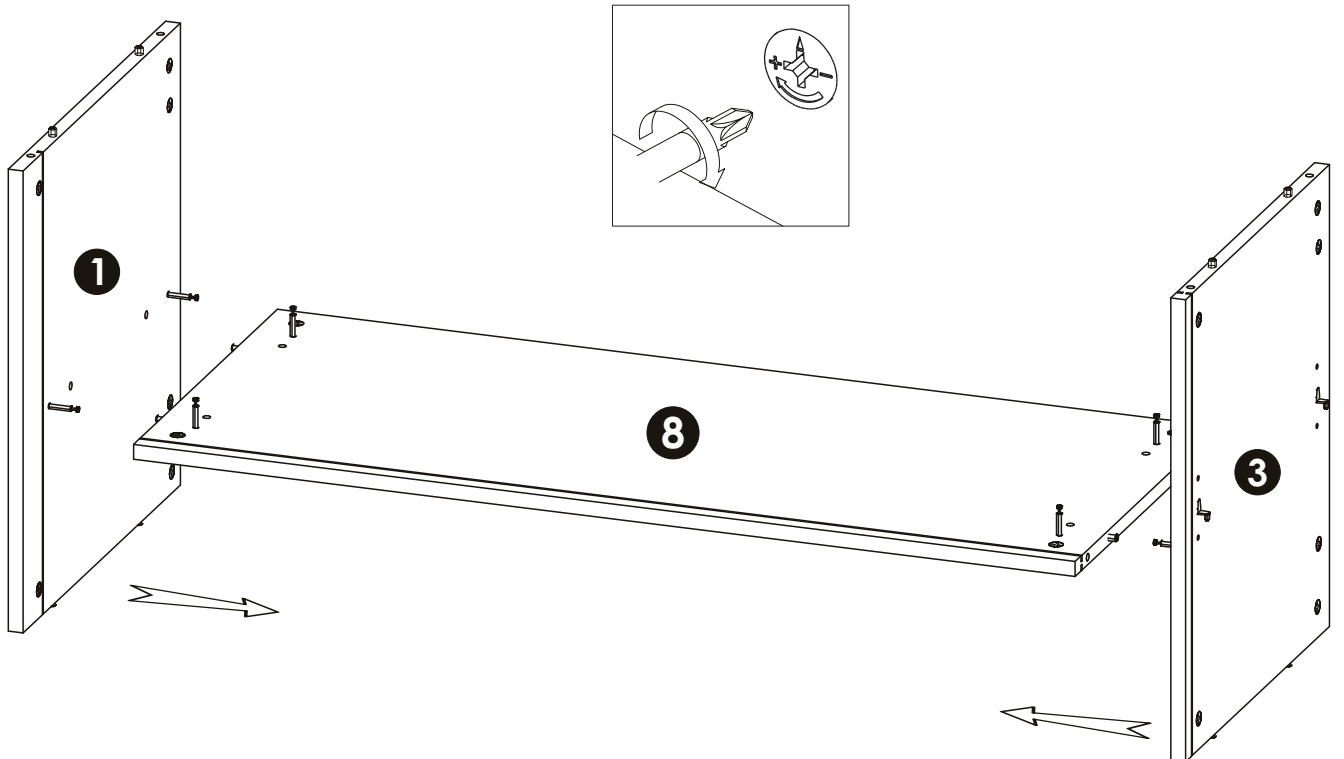
8▷



9▷

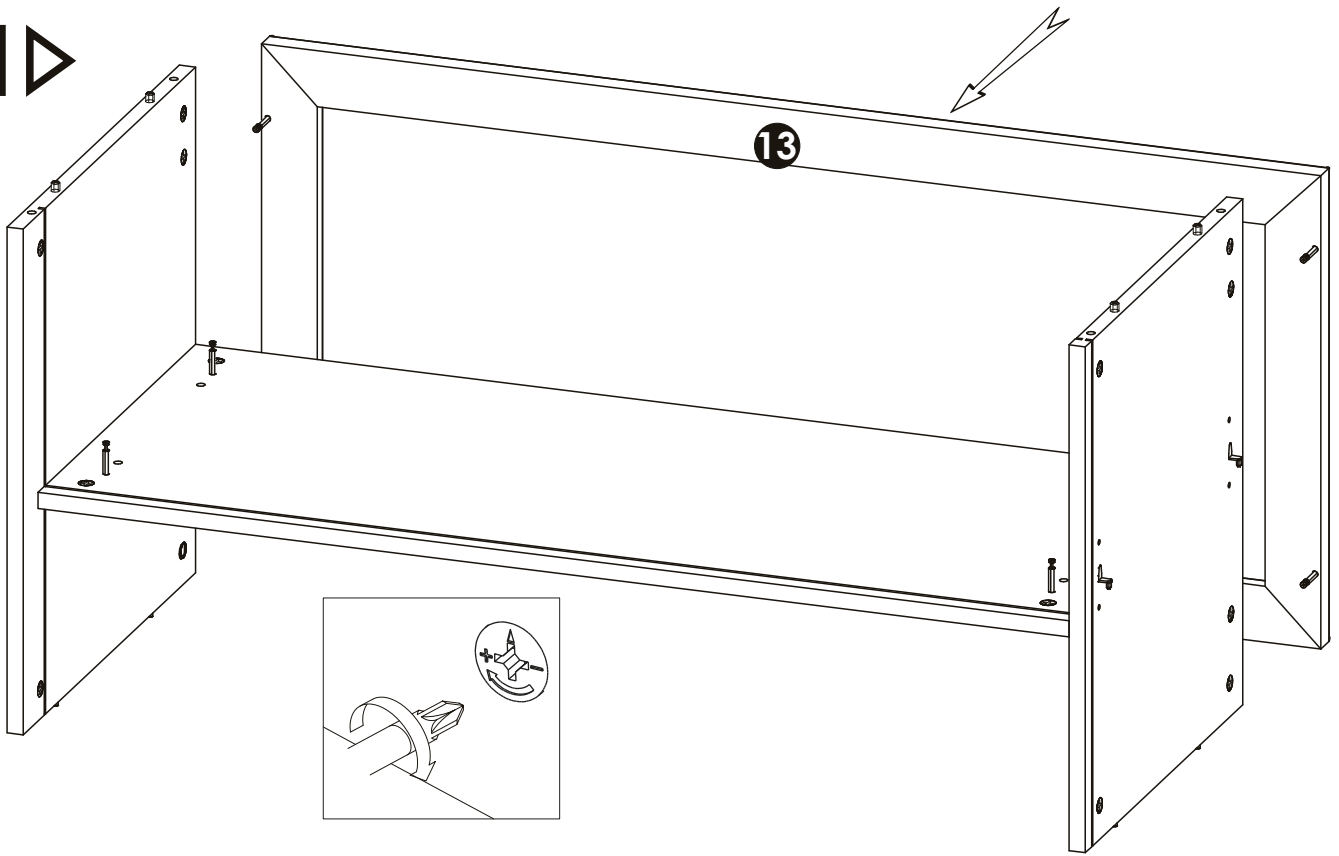


10▷

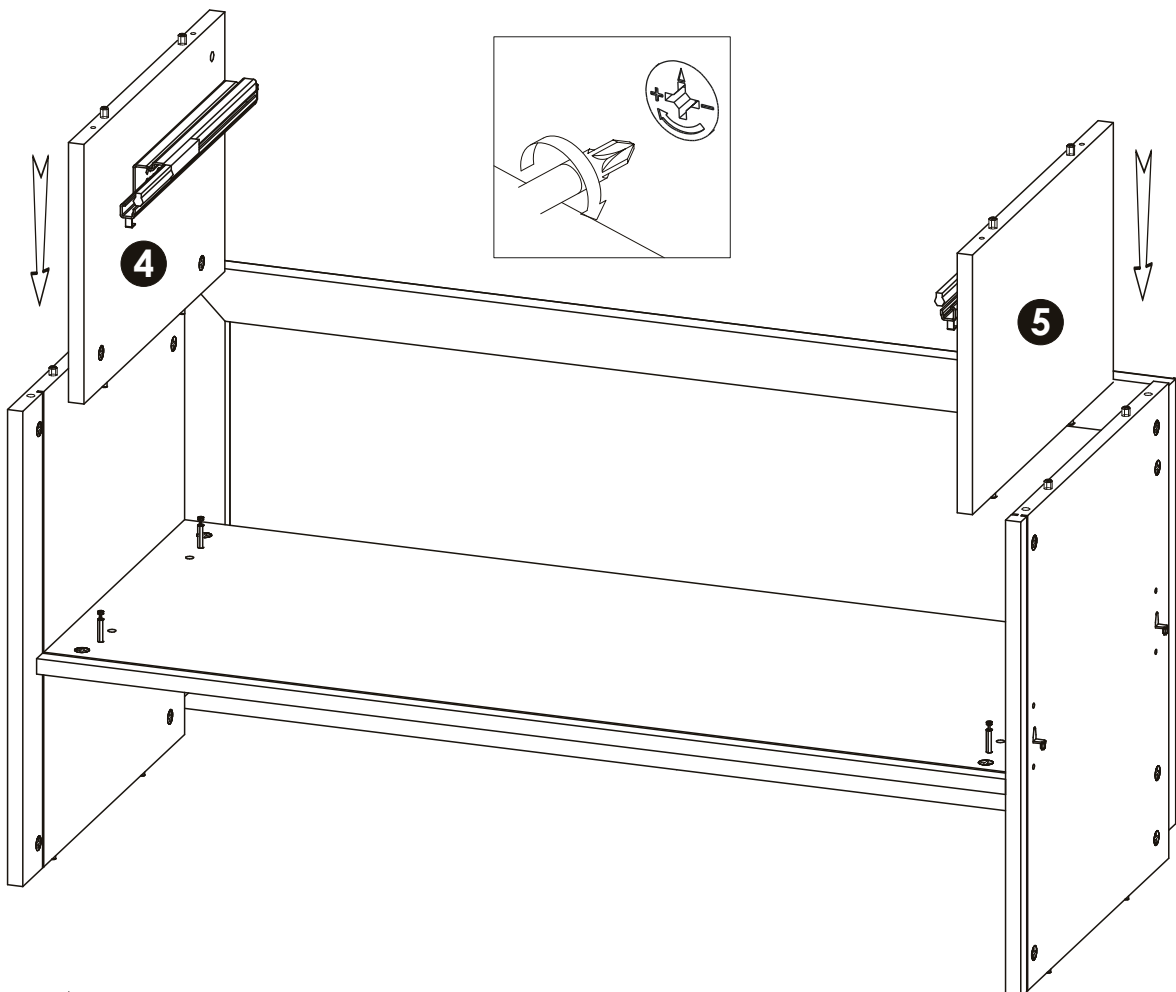




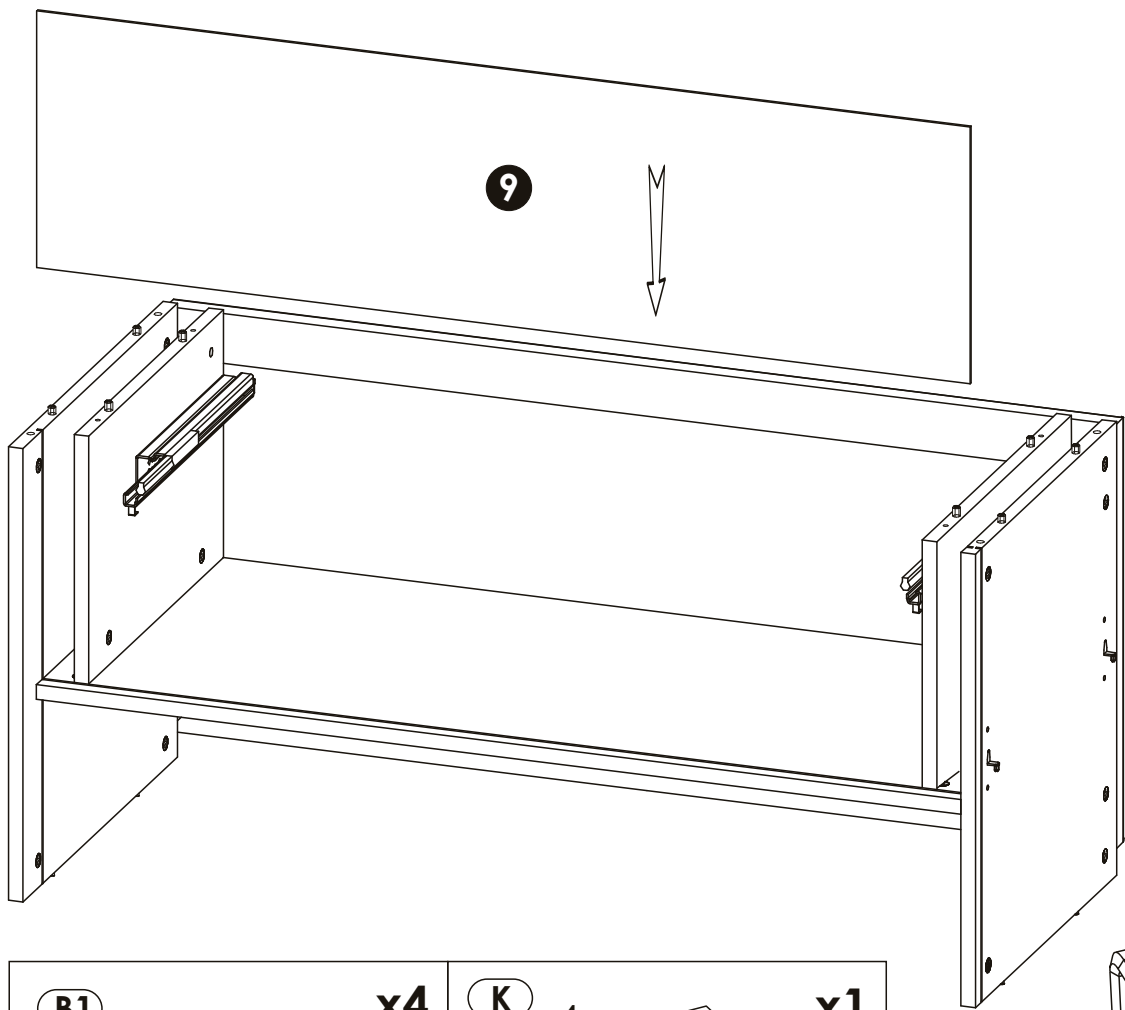
11▷



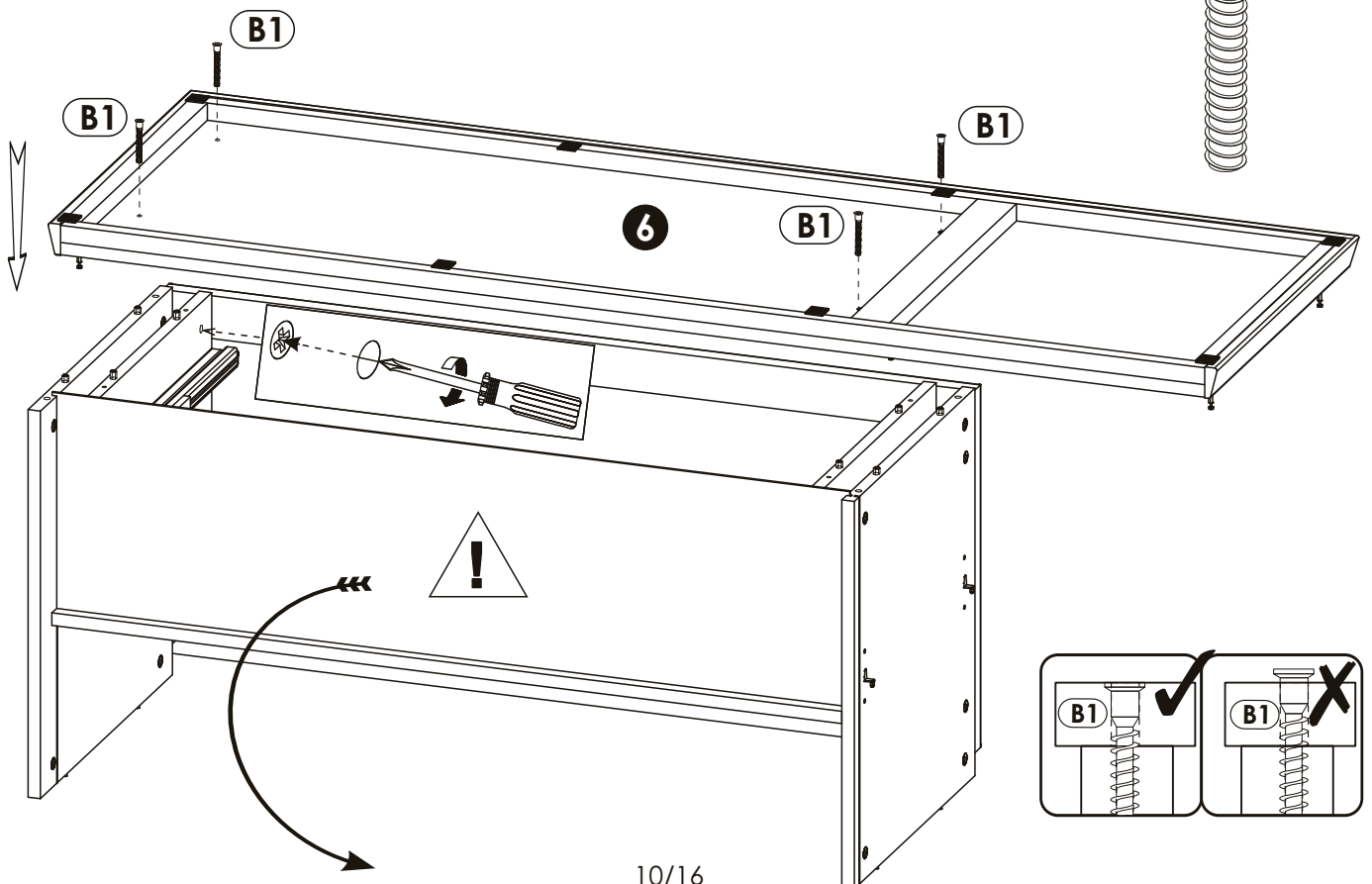
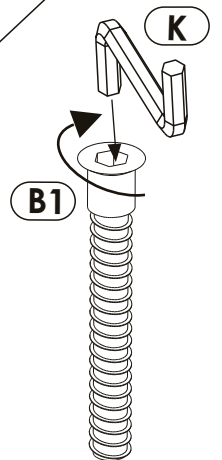
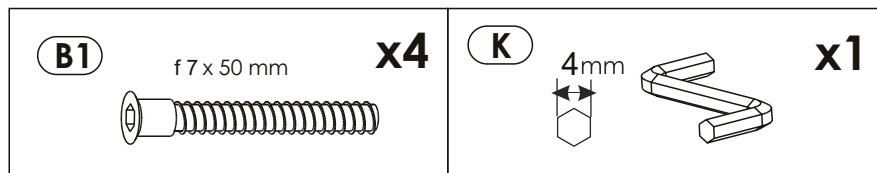
12▷



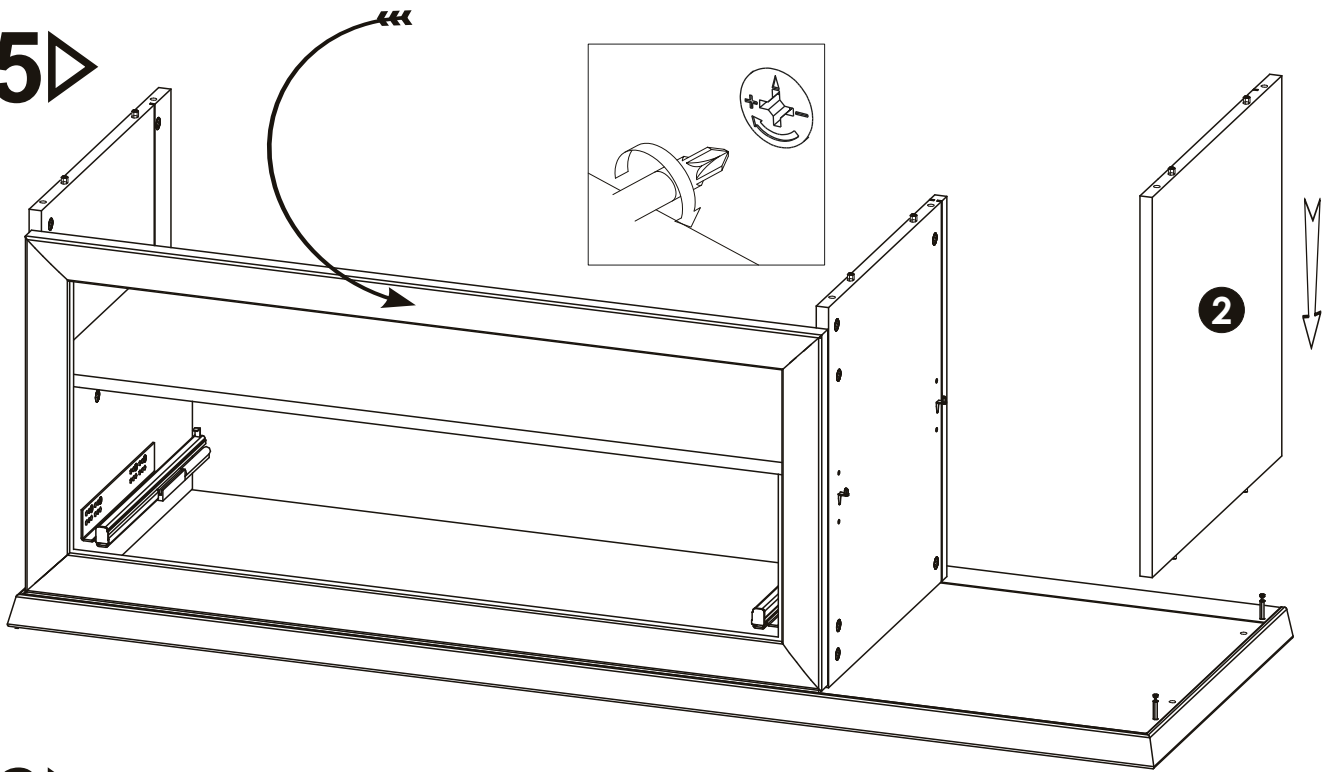
# 13▷



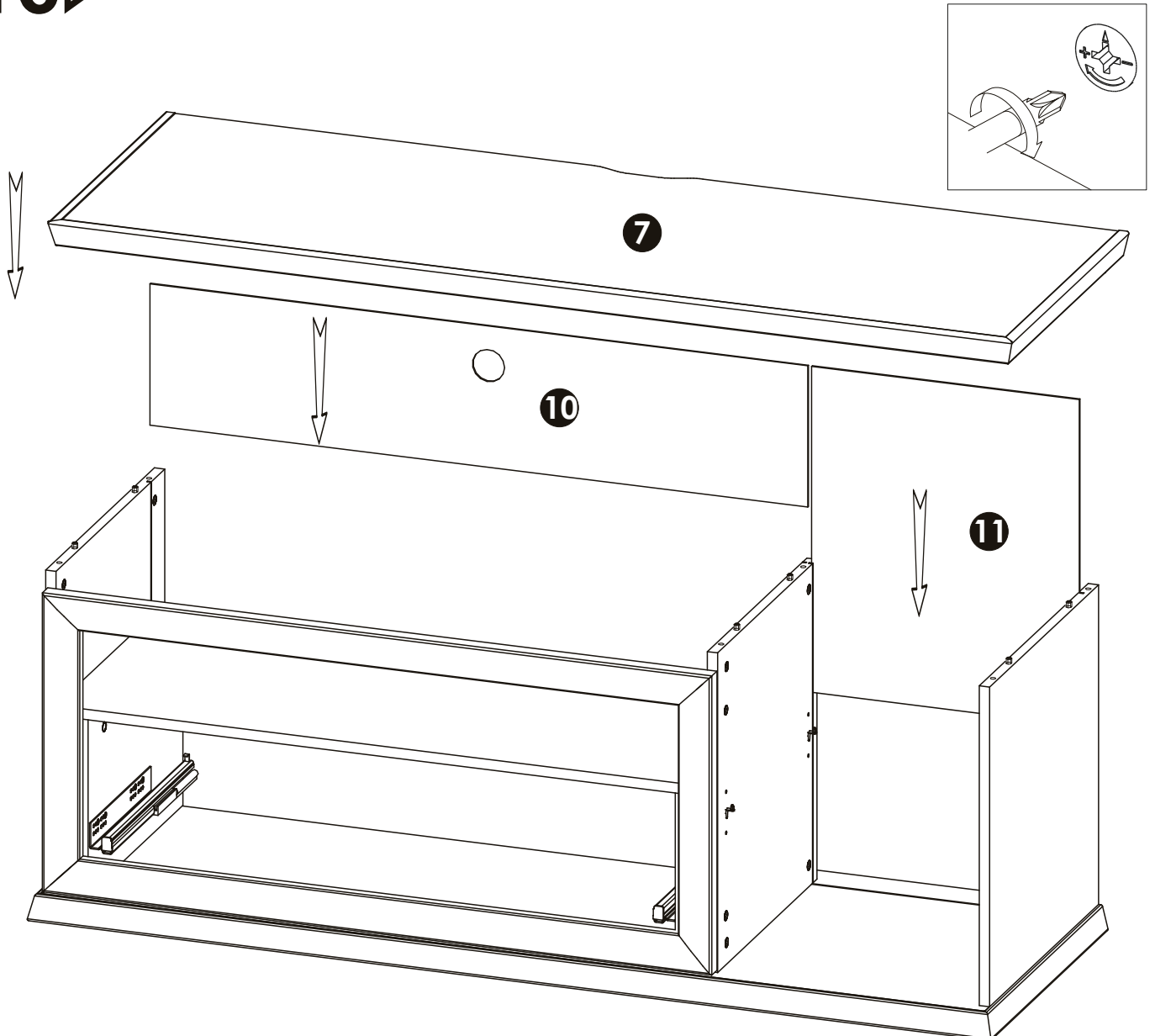
# 14▷




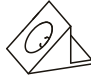
15▷

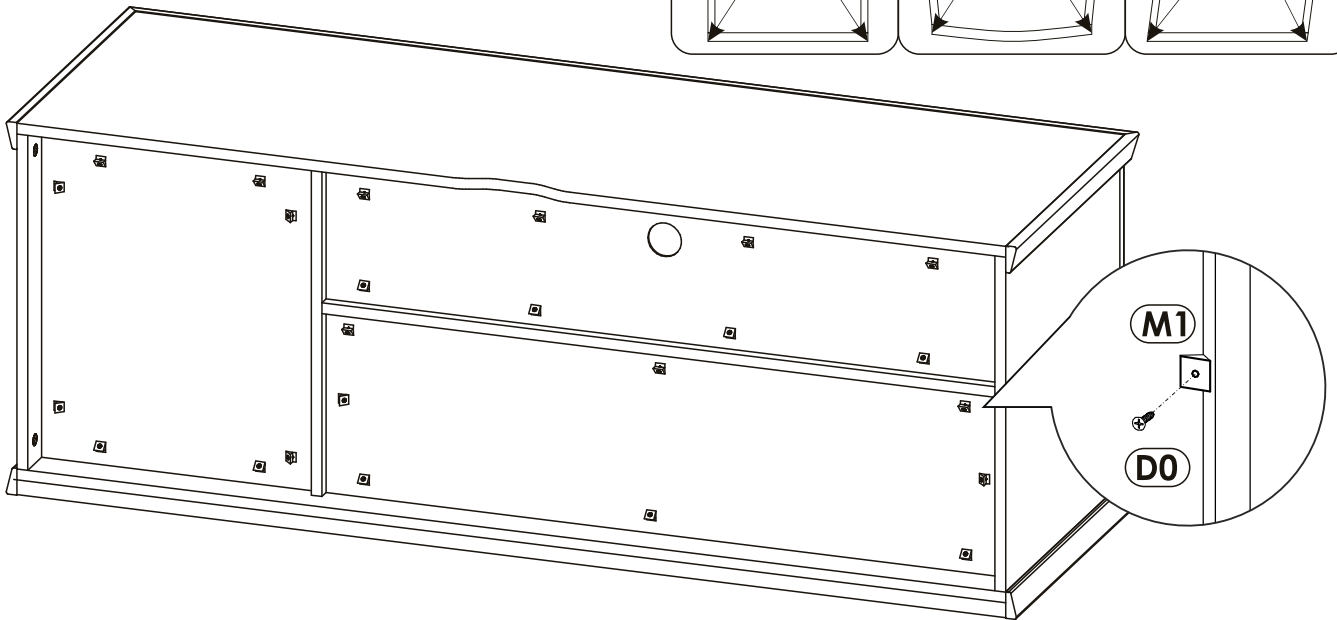
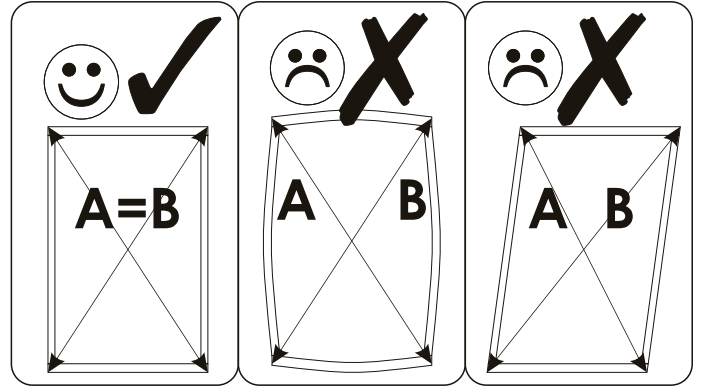
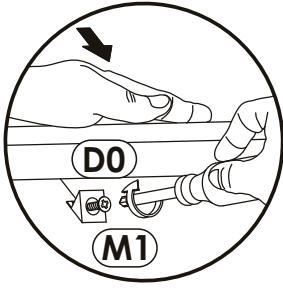


16▷

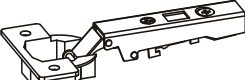



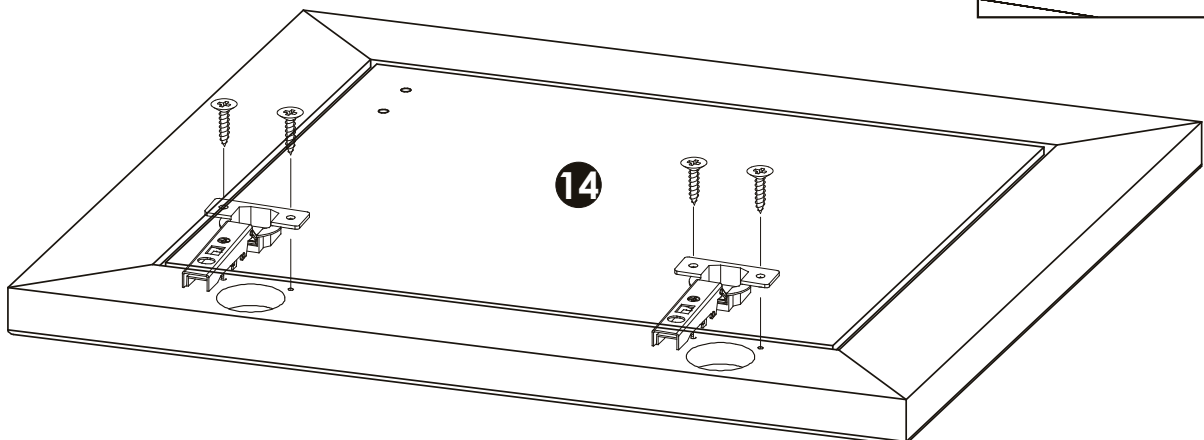
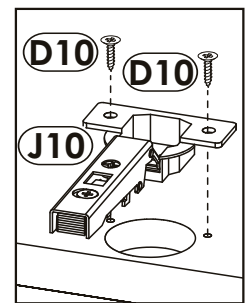
# 17▷

<p><b>(D0)</b> 3 x 15 mm <b>x24</b></p> 	<p><b>(M1)</b>  <b>x24</b></p>
---	---



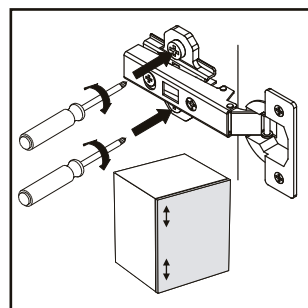
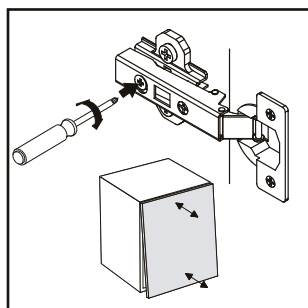
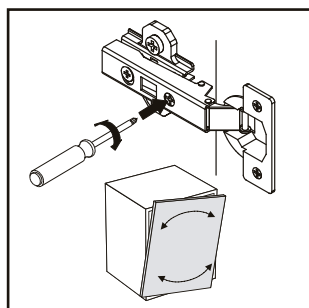
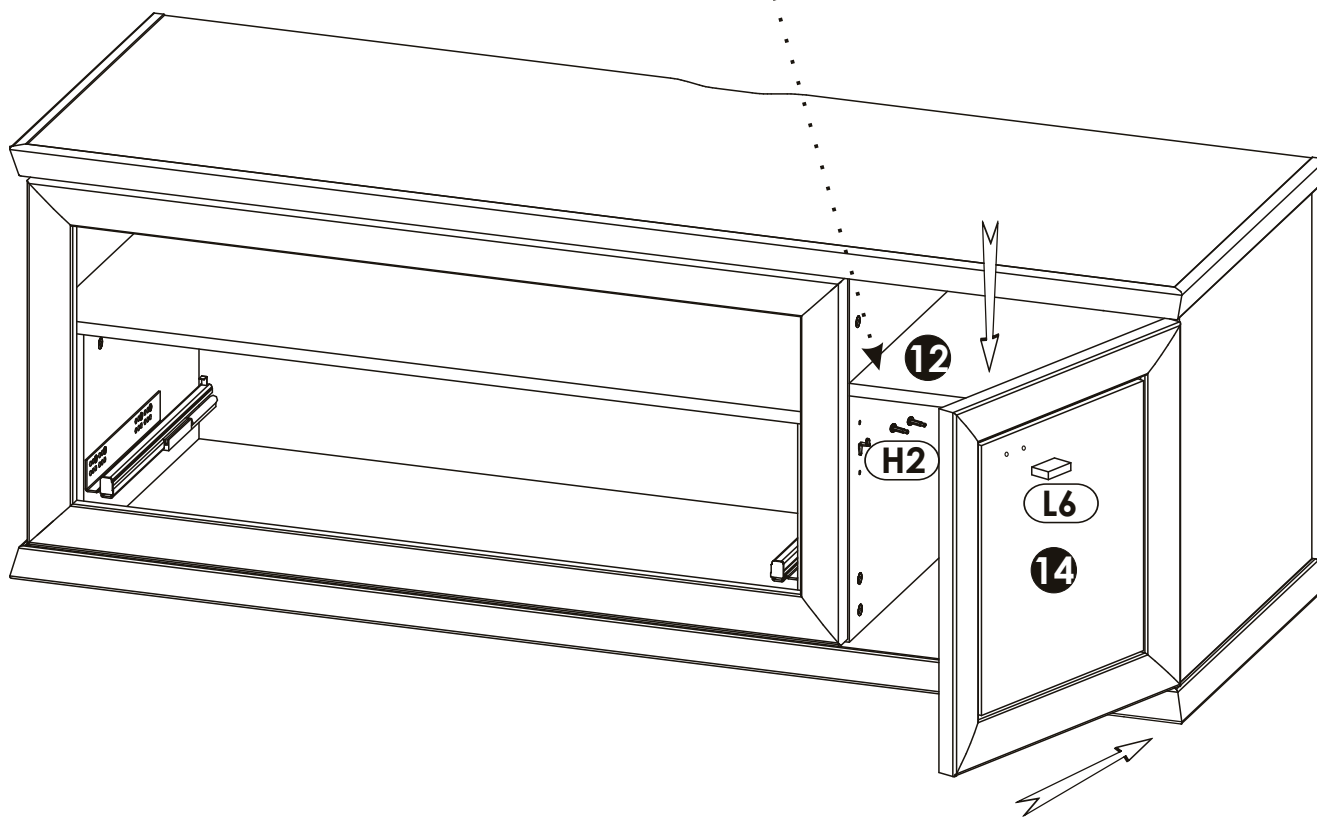
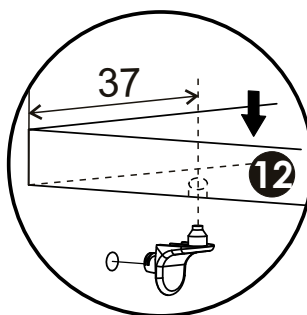
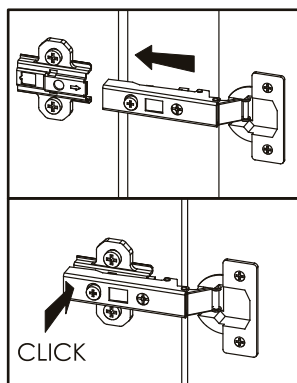
# 18▷

<p><b>(J10)</b>  <b>x2</b></p>	<p><b>(D10)</b> 4 x 16 mm <b>x4</b></p> 
---	---

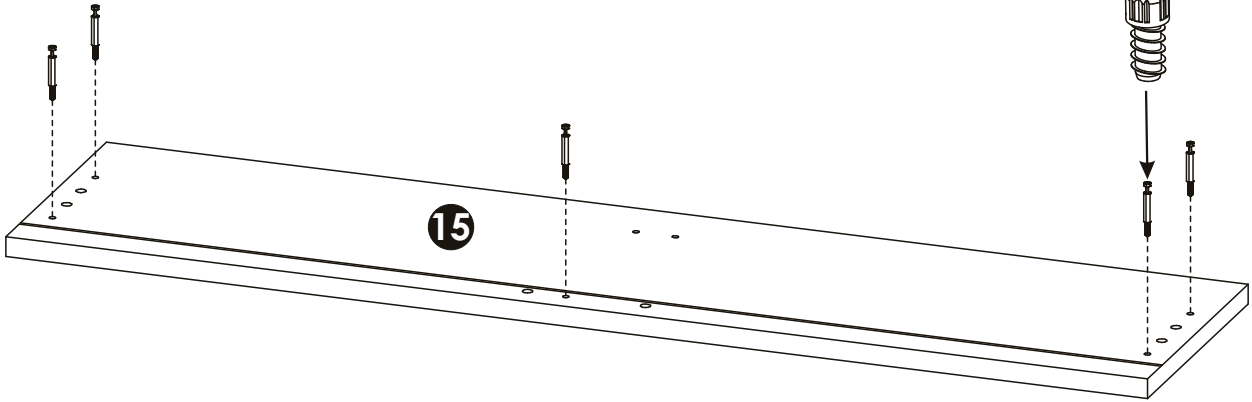
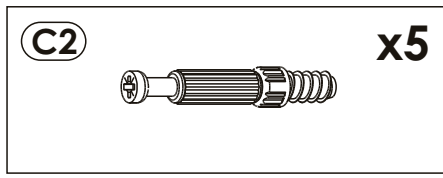


# 19▷

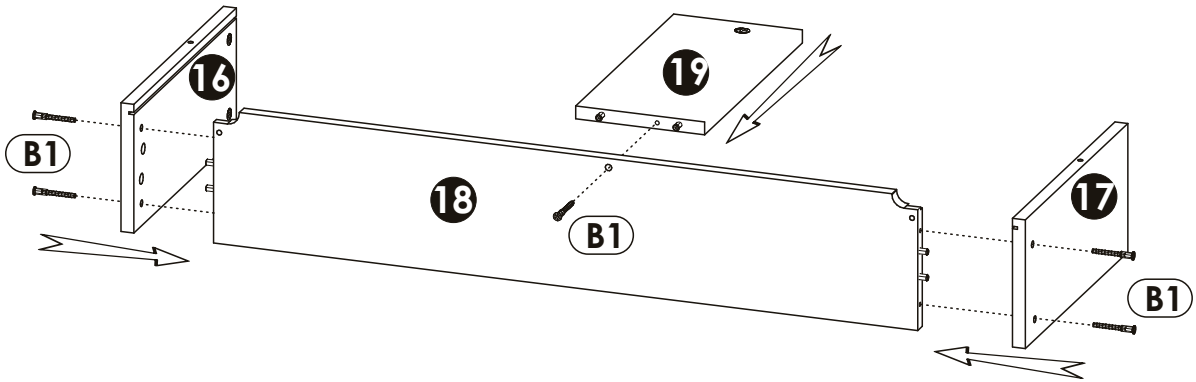
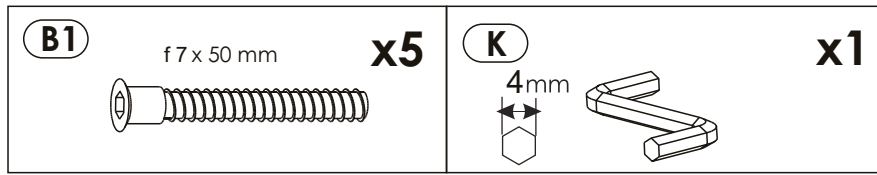
<b>H2</b>	4 x 22 mm	<b>x2</b>	<b>L6</b>	<b>x1</b>
-----------	-----------	-----------	-----------	-----------



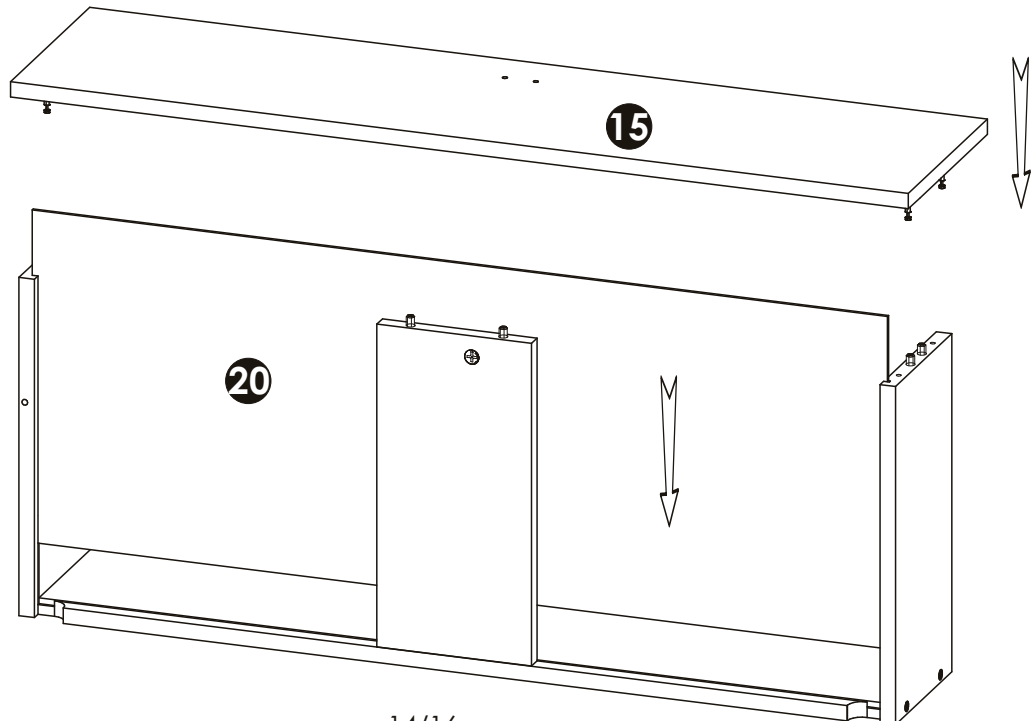
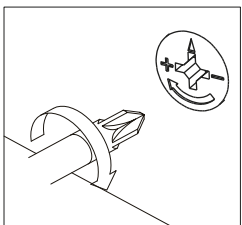
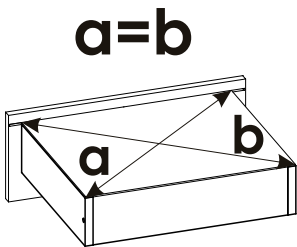
# 20▷



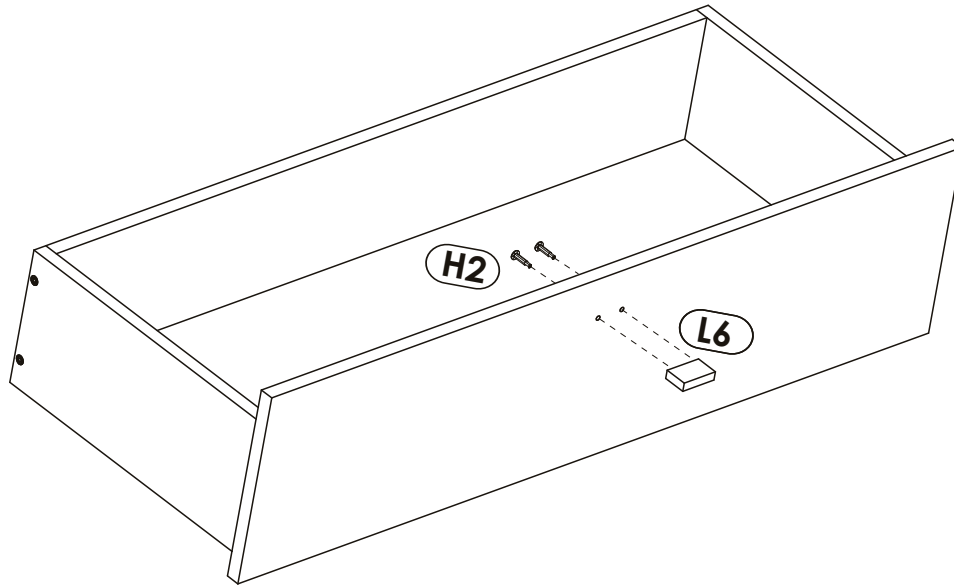
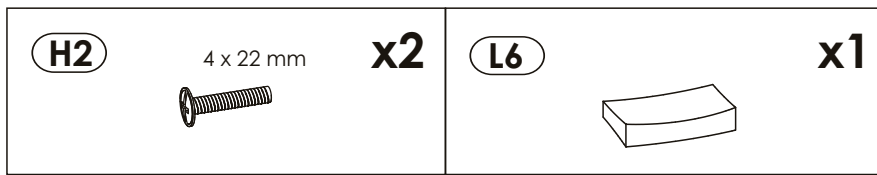
# 21▷



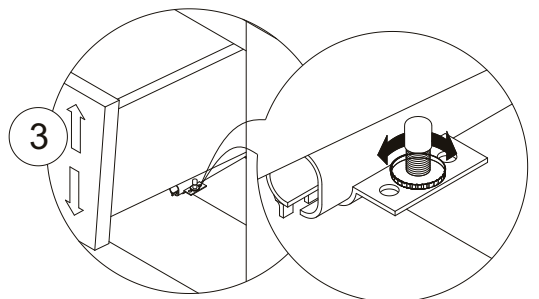
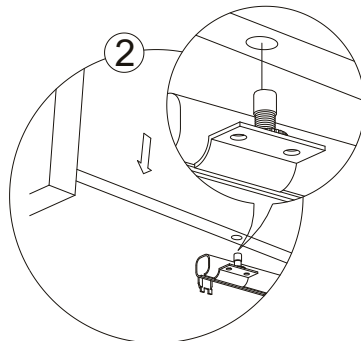
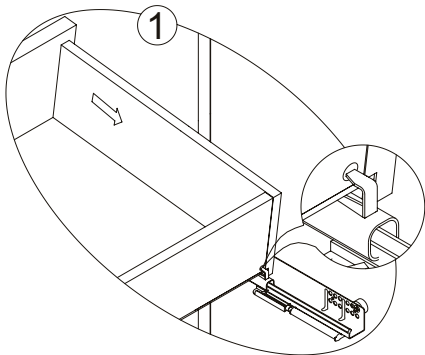
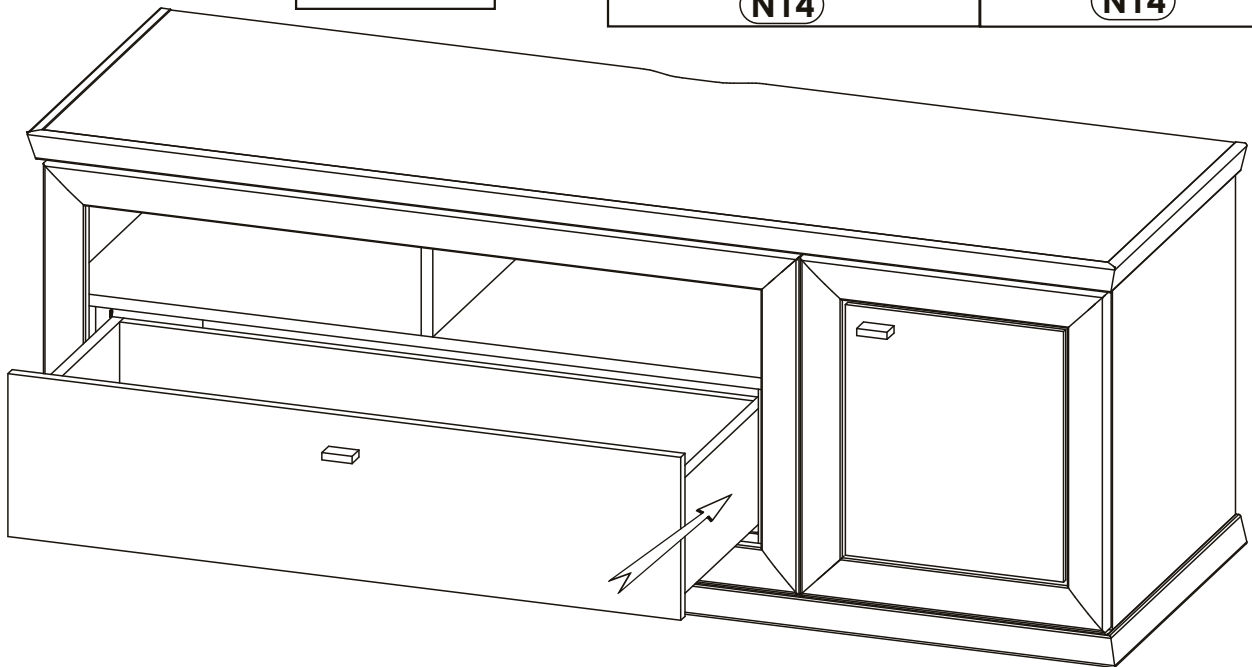
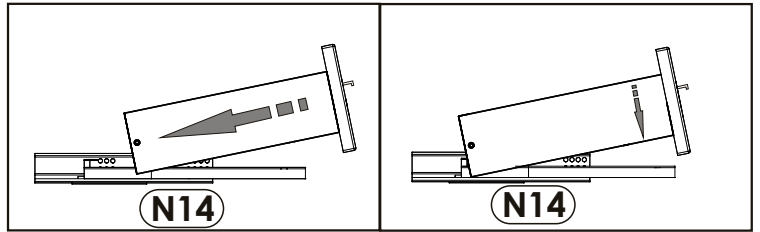
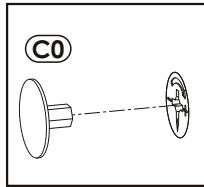
# 22▷



# 23▷



# 24▷



25▷

