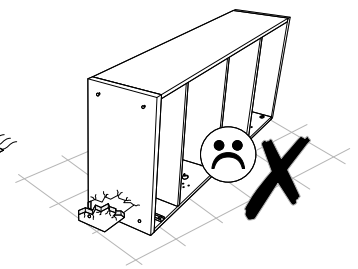
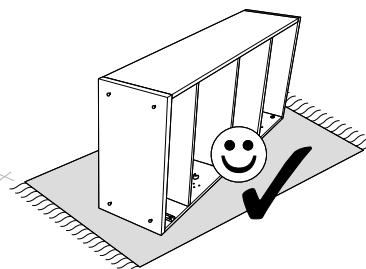
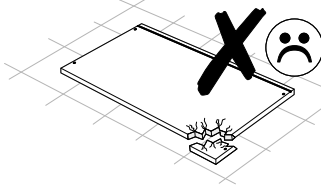
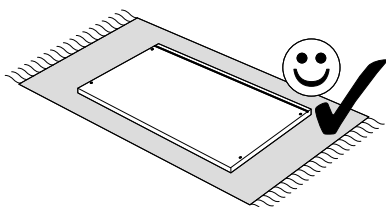
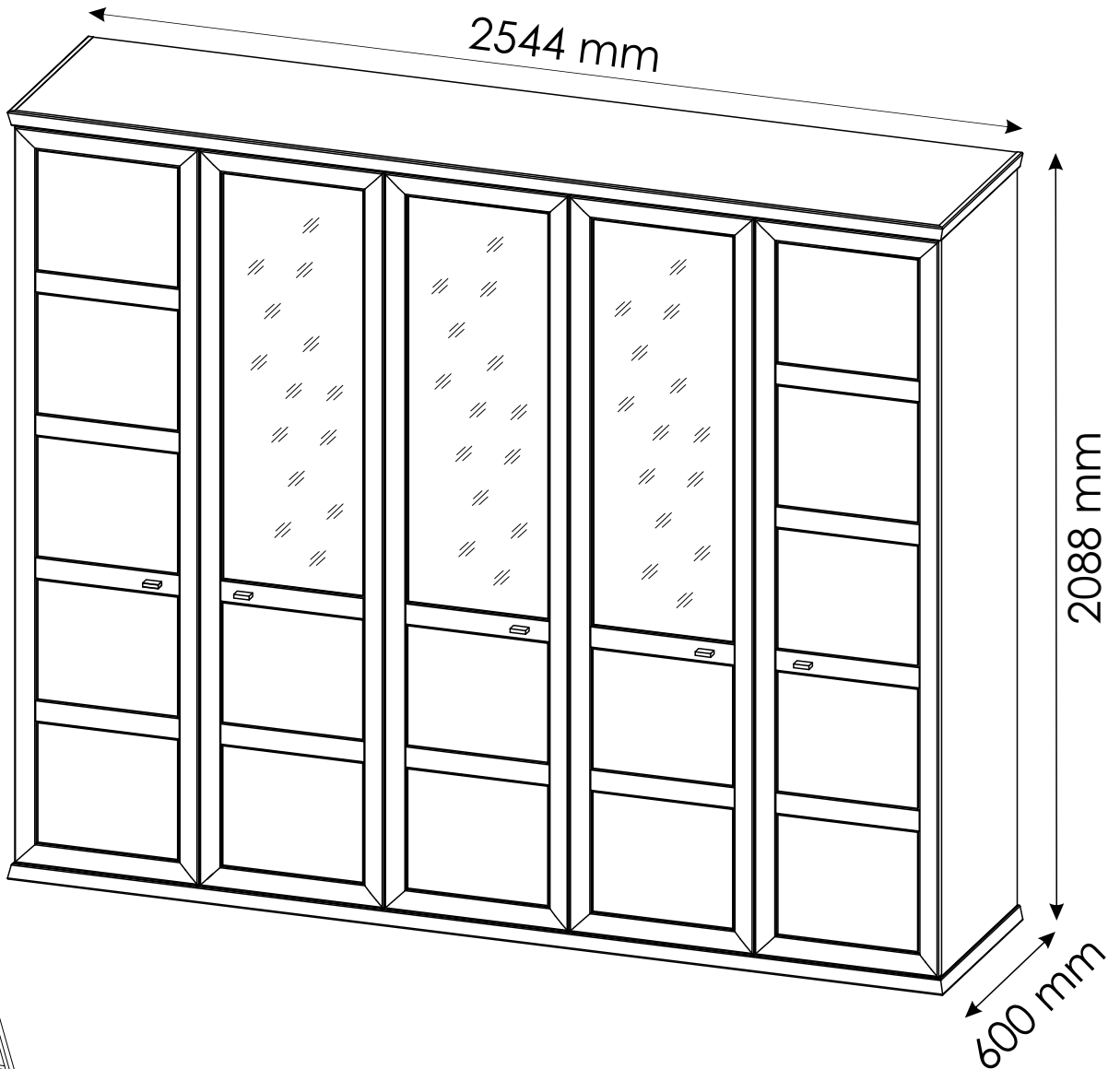
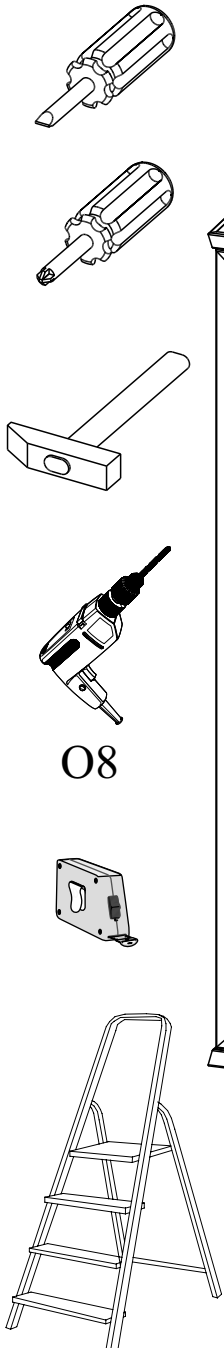
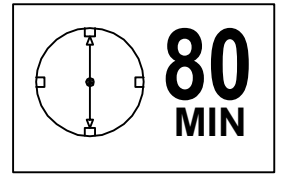
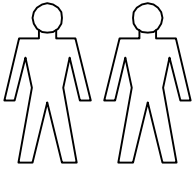
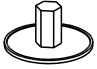



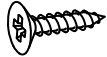


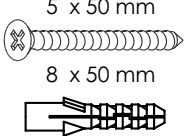

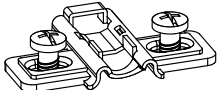
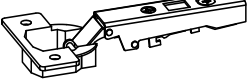

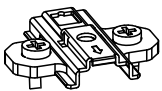


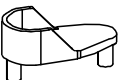
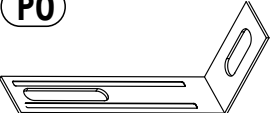

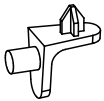



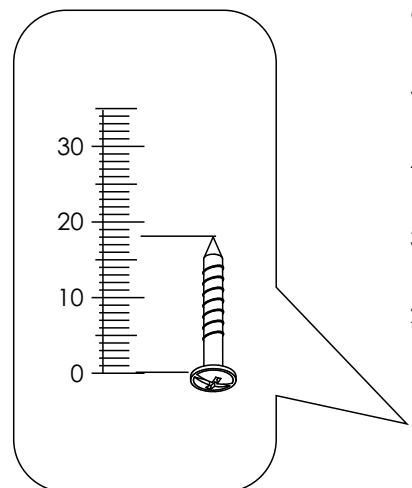
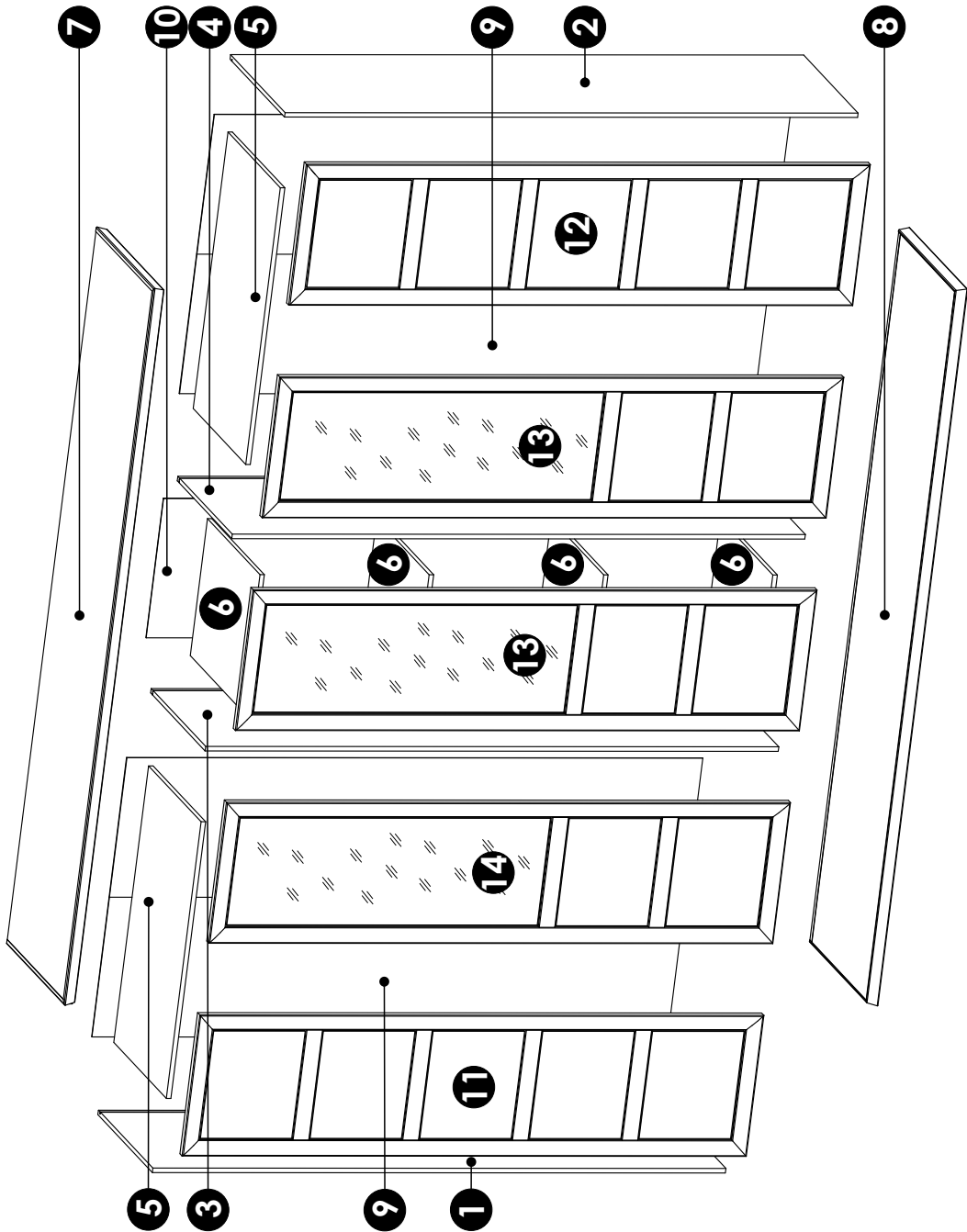
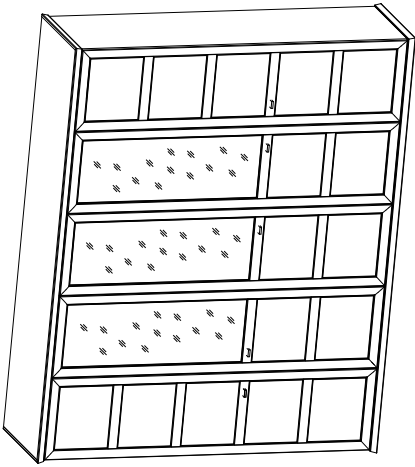



CAMRON / BENTON DREHTURENSCHRANK , Typ 2T3G†

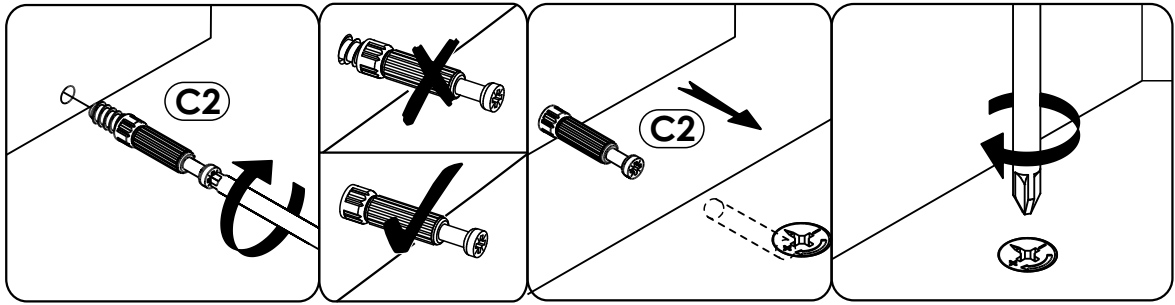


C0  x16	C2  x16	C10 6.3 x 20 mm  x8	MM 260 250 240 230 220 210 200 190 180 170 160 150 140 130 120 110 100 90 80 70 60 50 40 30 20 10 0
D5 3.5 x 16 mm  x4	D10 4 x 16 mm  x40	D21 5 x 13 mm  x2	
D30 EURO 6,3 x 13 mm  x26	E0 5 x 50 mm 8 x 50 mm  x2	H2 4 x 22 mm  x10	
J3  x12	J10  x8	J13  x12	
J14  x8	L6  x5	M0  x26	
O0  x4	P0  x2	S0 L-972  x2	
Q3  x16	Q4  x4	U2  x12	
LOGO... x1	U3*  x10 *MODEL CAMRON		


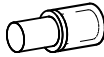



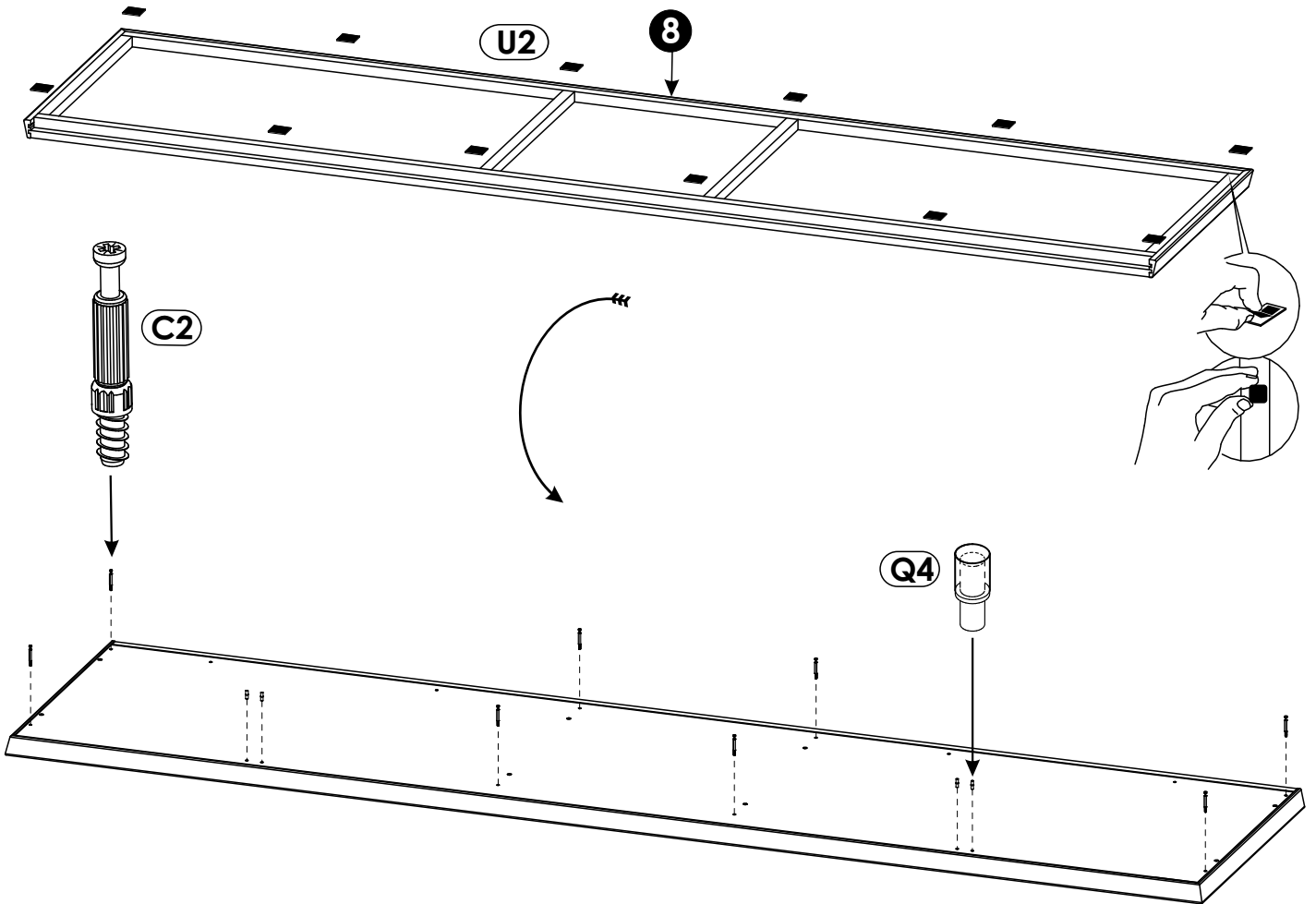


1	2032	565	16 x1	1/8
2	2032	565	16 x1	1/8
3	2032	565	16 x1	2/8
4	2032	565	16 x1	2/8
5	981	545	16 x2	3/8
6	486	536	16 x4	3/8
7	2544	600	40 x1	7/8
8	2544	600	40 x1	8/8
9	2042	990	2,8 x1	1/8
9	2042	990	2,8 x1	2/8
10	2042	494	2,8 x1	1/8
11	2000	500	25 x1	4/8
12	2000	500	25 x1	4/8
13	2000	500	25 x2	5/8
14	2000	500	25 x1	6/8
S0			x2	3/8
				



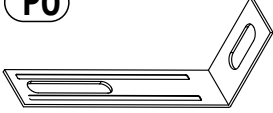


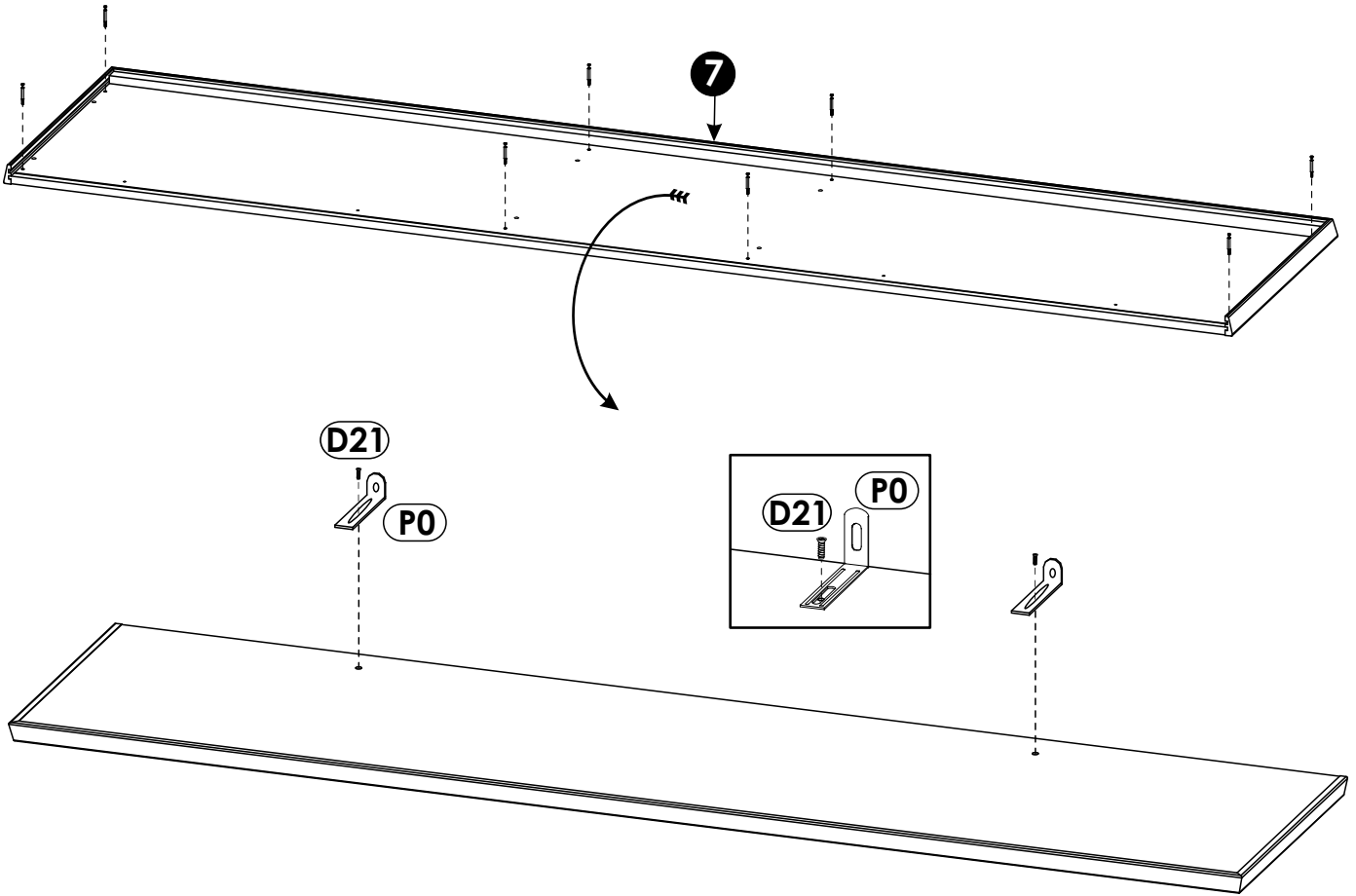
1 ▶

<p>C2 x8</p> 	<p>Q4 x4</p> 	<p>U2 x12</p> 
--	--	---

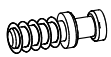

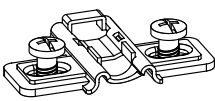


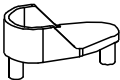
2▶

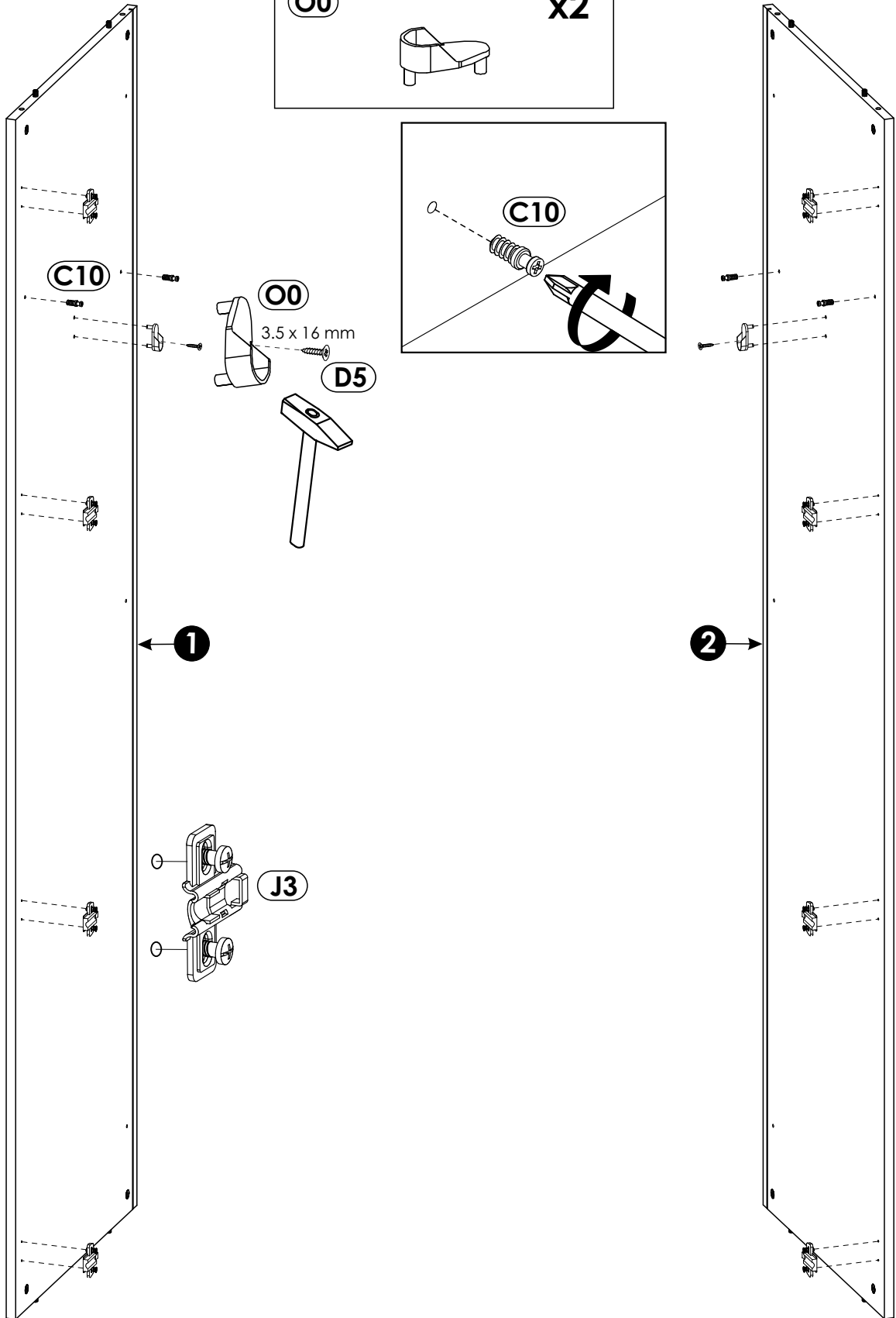
C2 	x8	D21 5 x 13 mm 	x2	P0 	x2
--	-----------	--	-----------	--	-----------





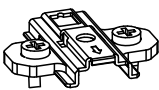
3 ▶

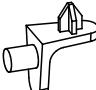
C10 6.3 x 20 mm x4 	D5 3.5 x 16 mm x2 	J3 x8 
---	--	--

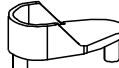
O0 x2 
--

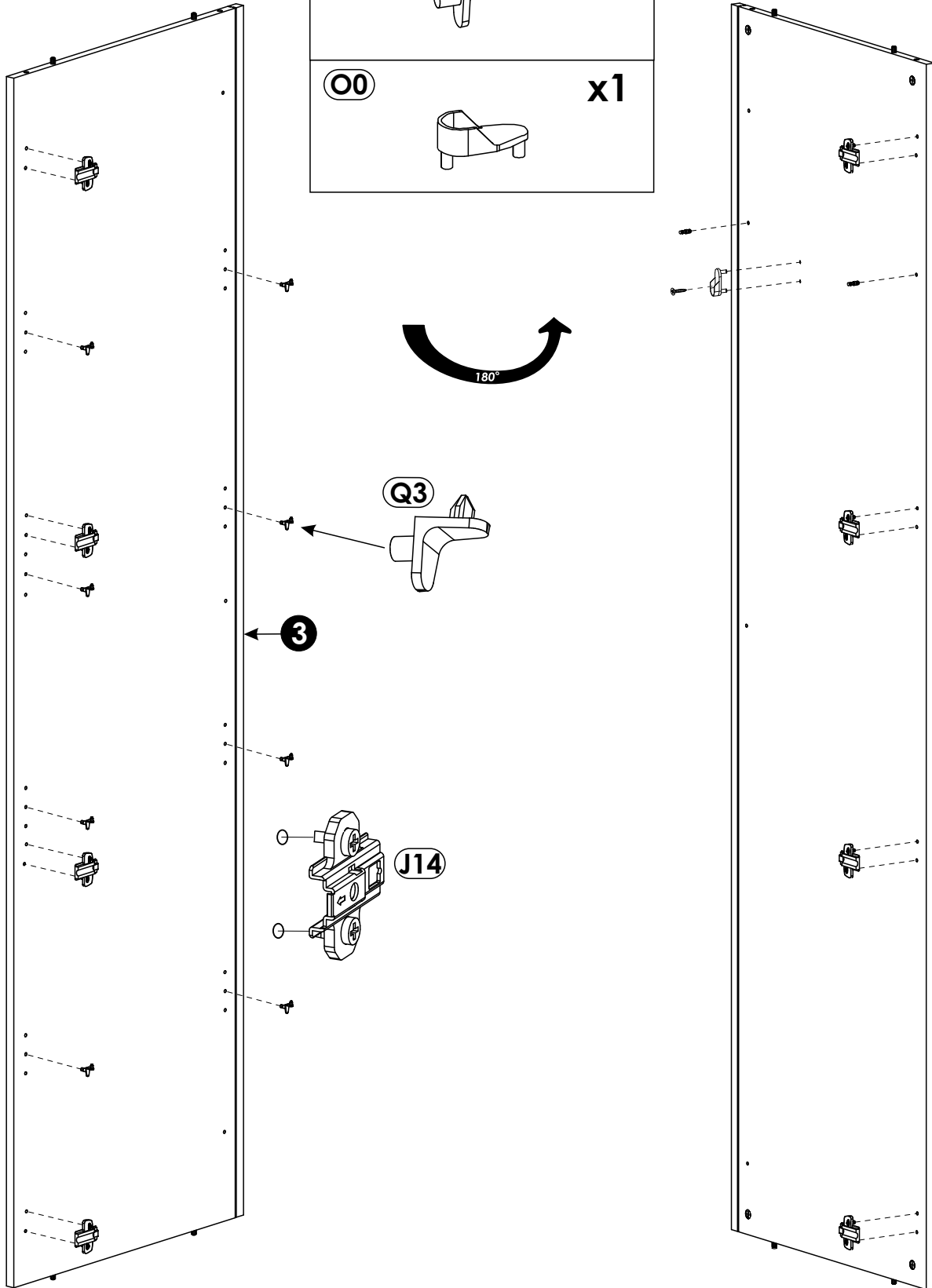


4 ▶



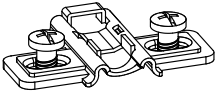
C10 6.3 x 20 mm 	x2	D5 3.5 x 16 mm 	x1	J14 	x8
--	-----------	---	-----------	---	-----------

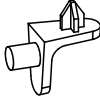
Q3 	x8
--	-----------

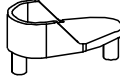
O0 	x1
--	-----------

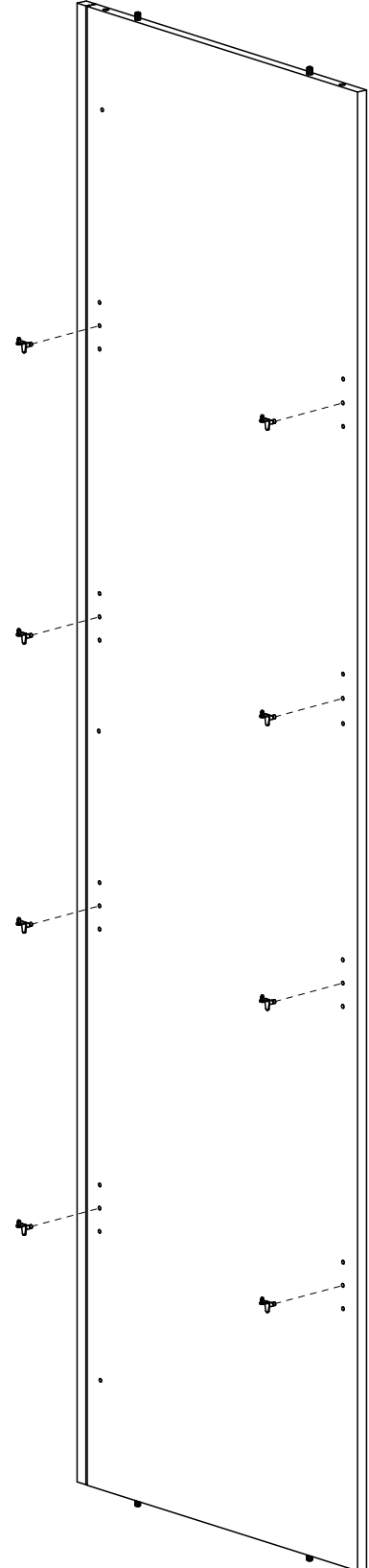
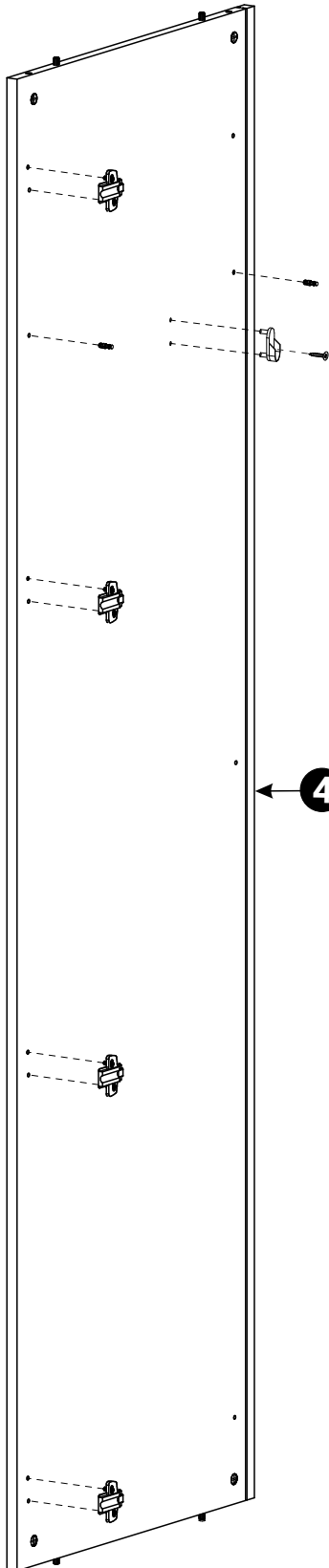


5 ▶

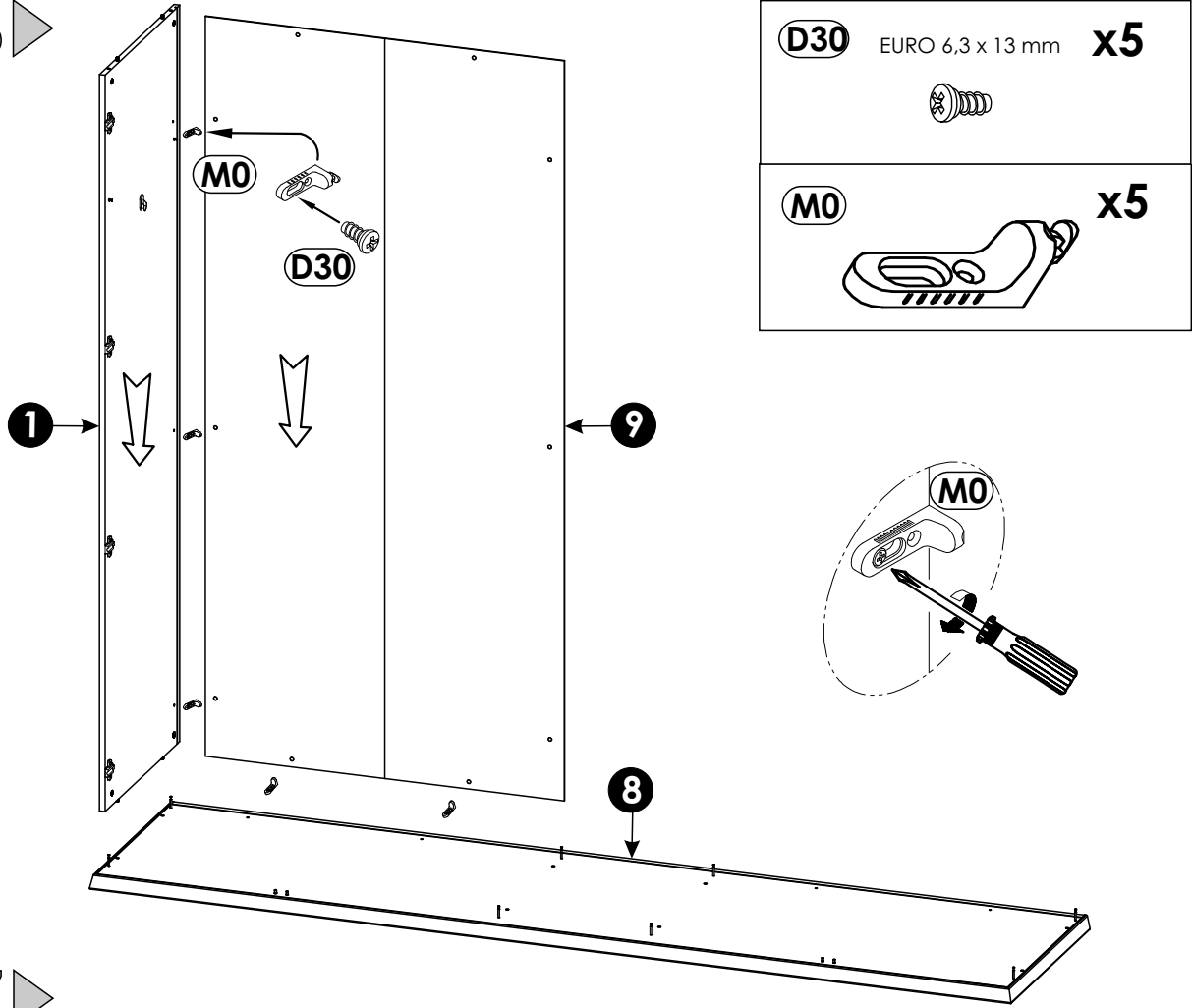
C10 6.3 x 20 mm 	x2	D5 3.5 x 16 mm 	x1	J3 	x4
--	-----------	---	-----------	--	-----------

Q3 	x8
--	-----------

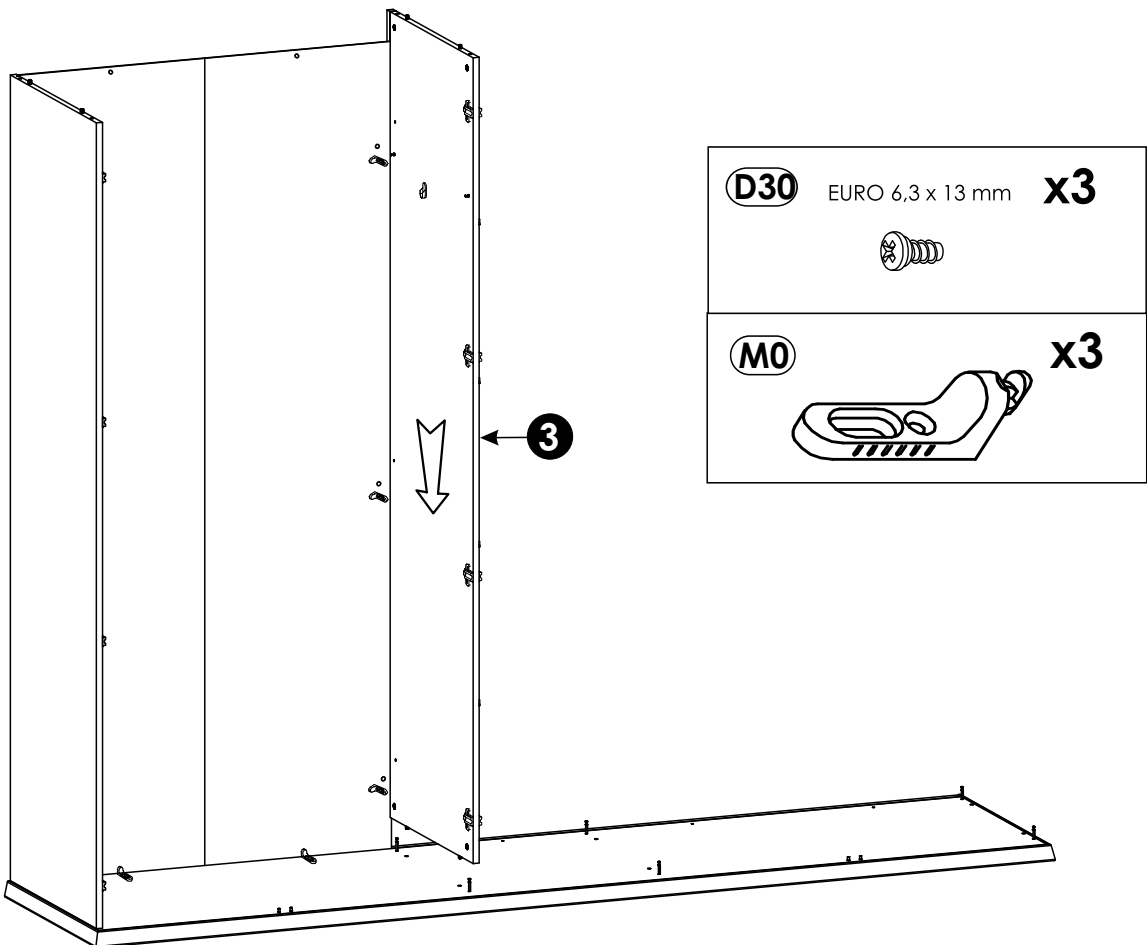
O0 	x1
--	-----------

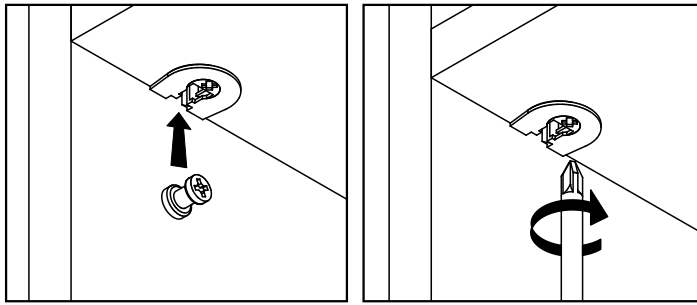


6 ▶

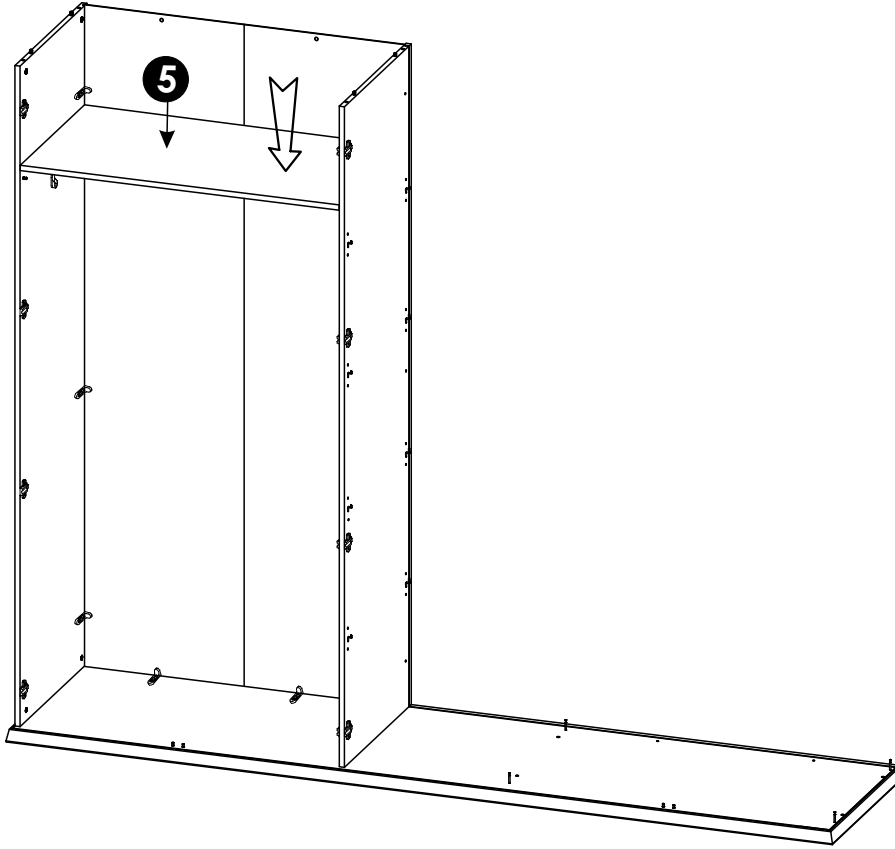


7 ▶

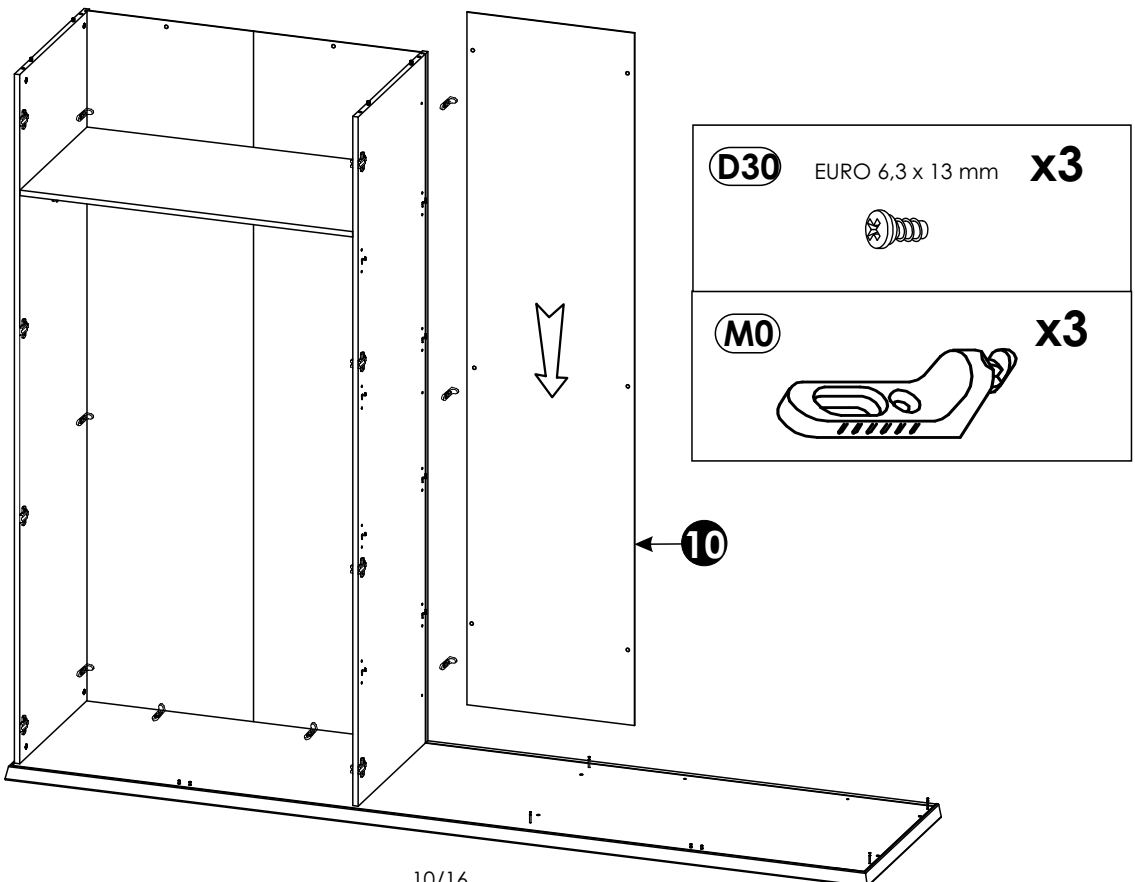






8 ▶

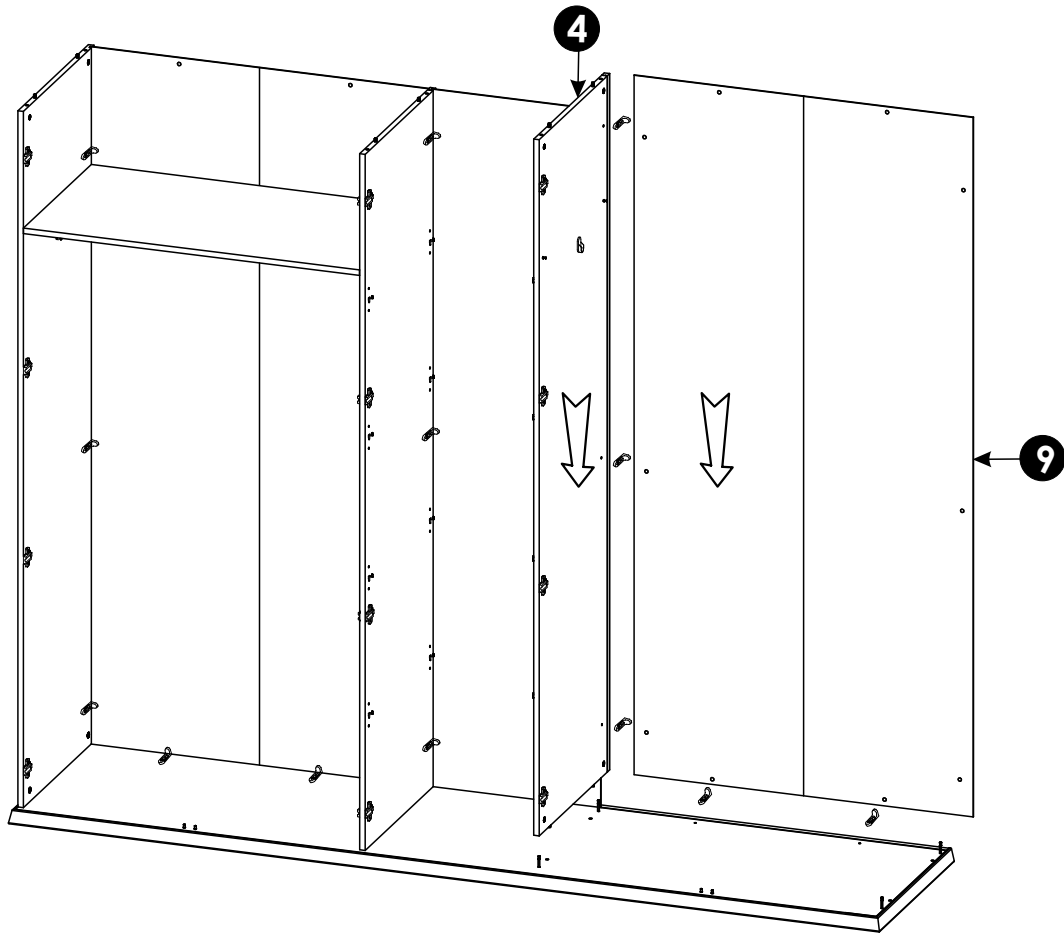


9 ▶





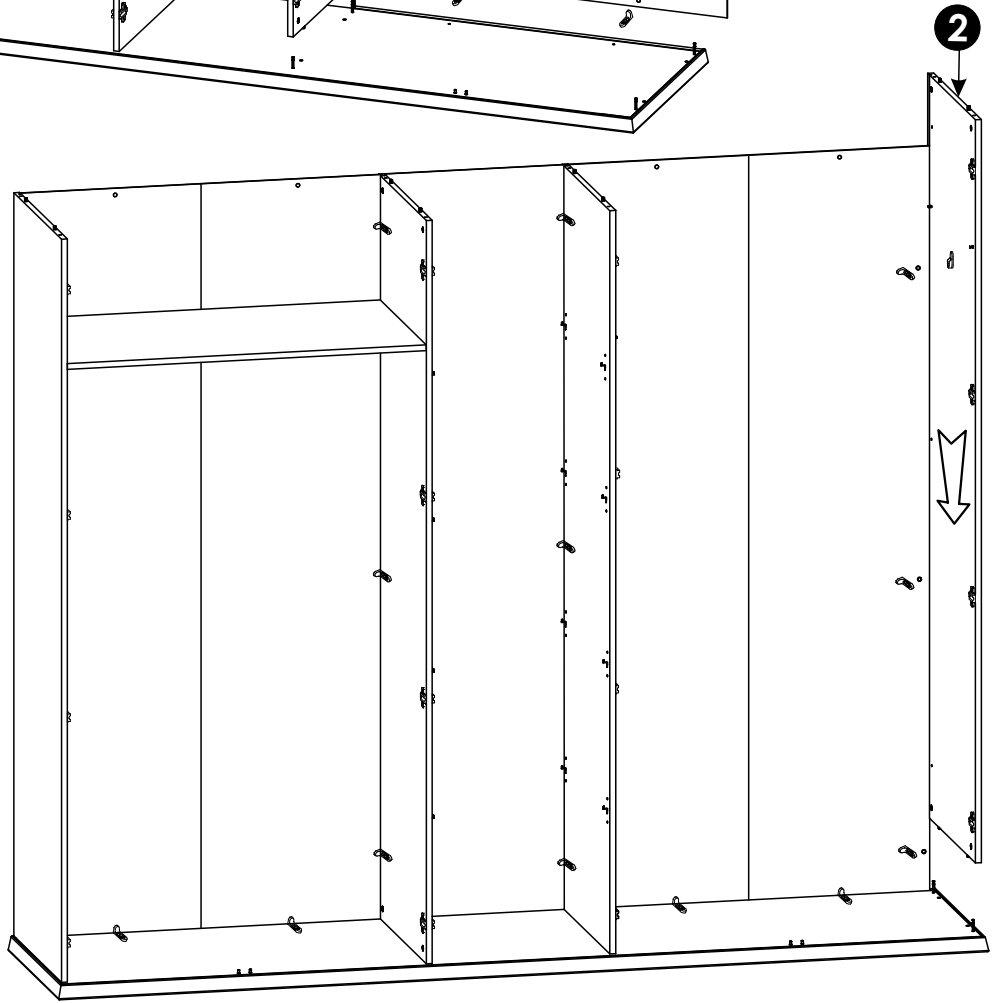
10 ▶

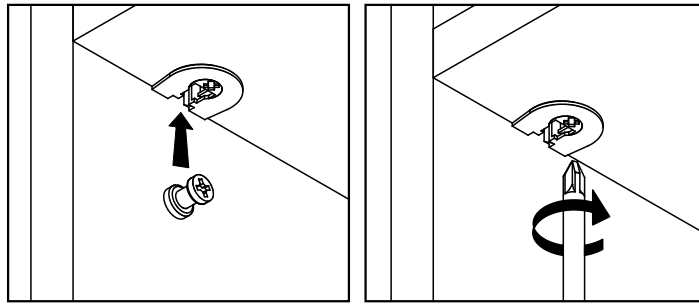
D30 EURO 6,3 x 13 mm 	x5	M0 	x5
---	-----------	---	-----------



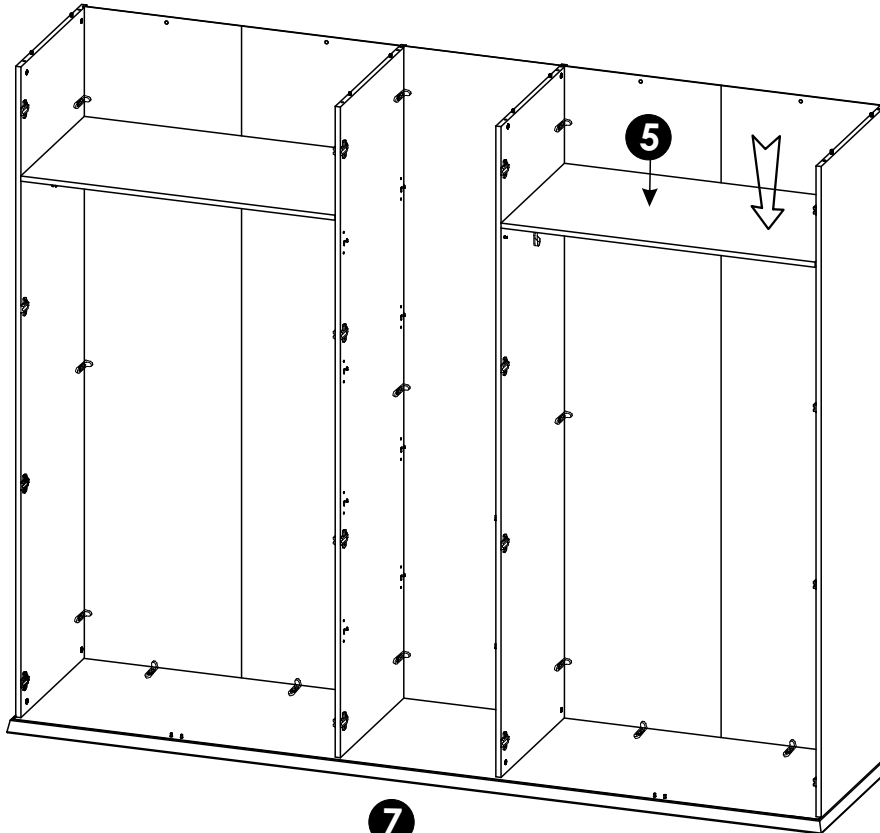
11 ▶

D30 EURO 6,3 x 13 mm 	x3
M0 	x3

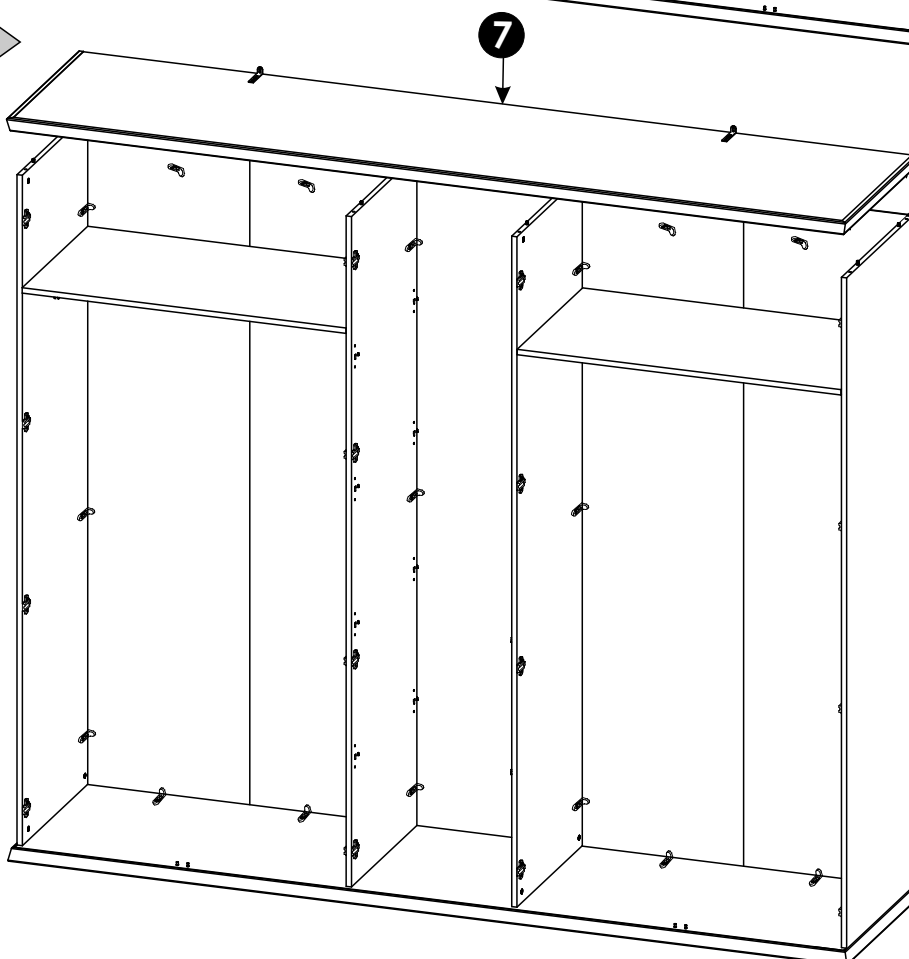




12▶



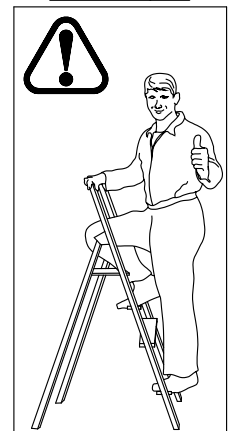
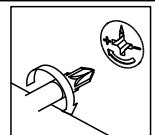
13▶



(D30) EURO 6,3 x 13 mm **x4**



(M0) **x4**



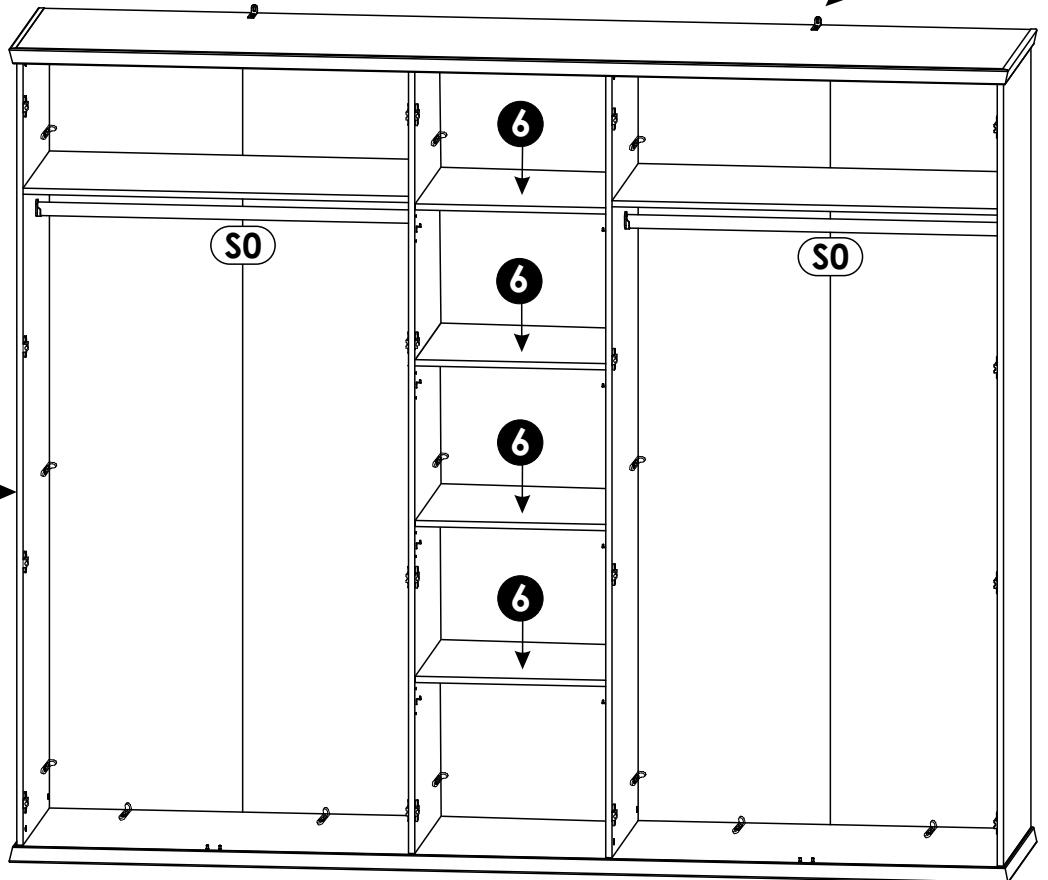
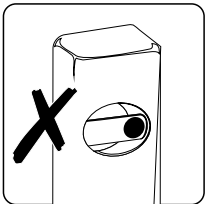
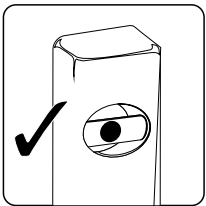
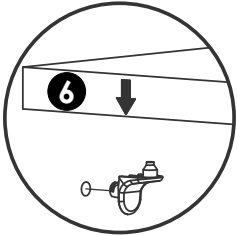
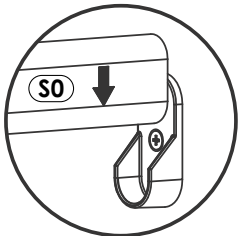
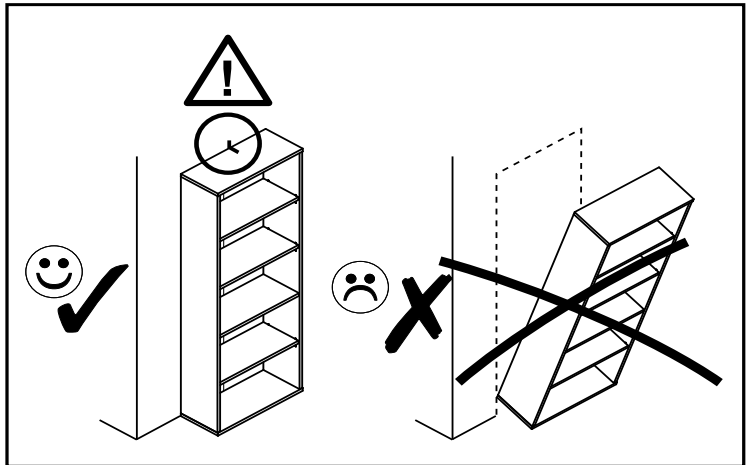
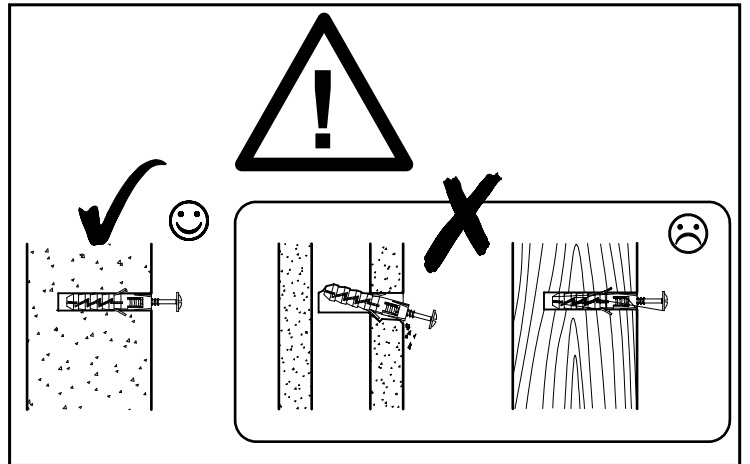
14

E0	5 x 50 mm 8 x 50 mm	x2
S0	L-972	x2

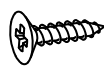
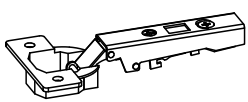
X=10mm

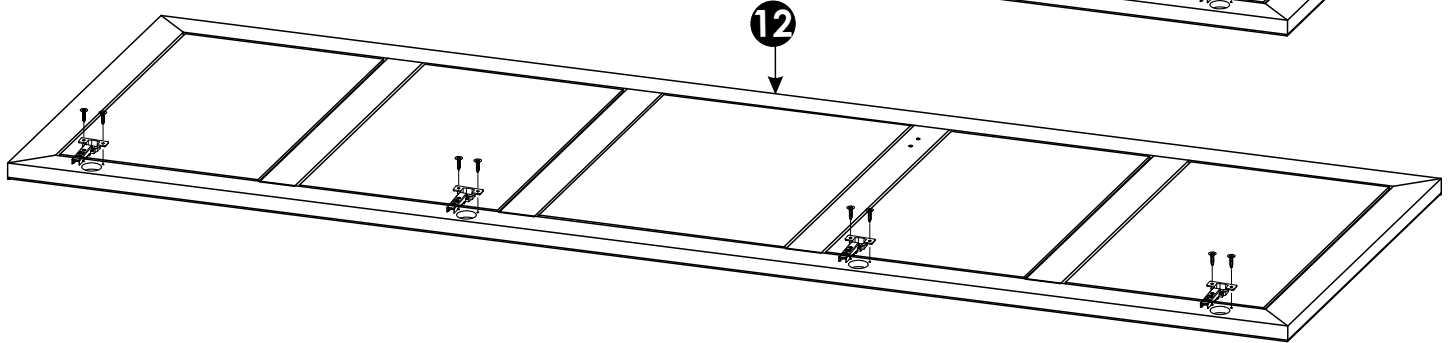
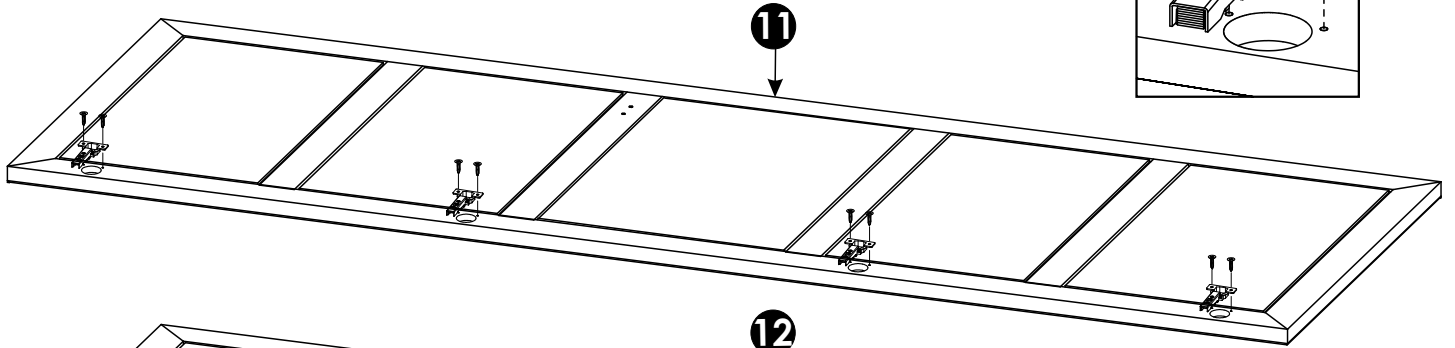
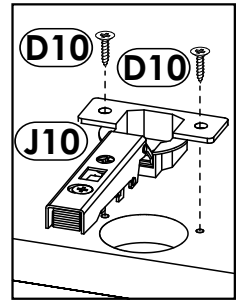
Ø8

X=10


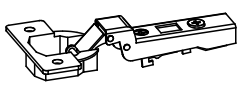


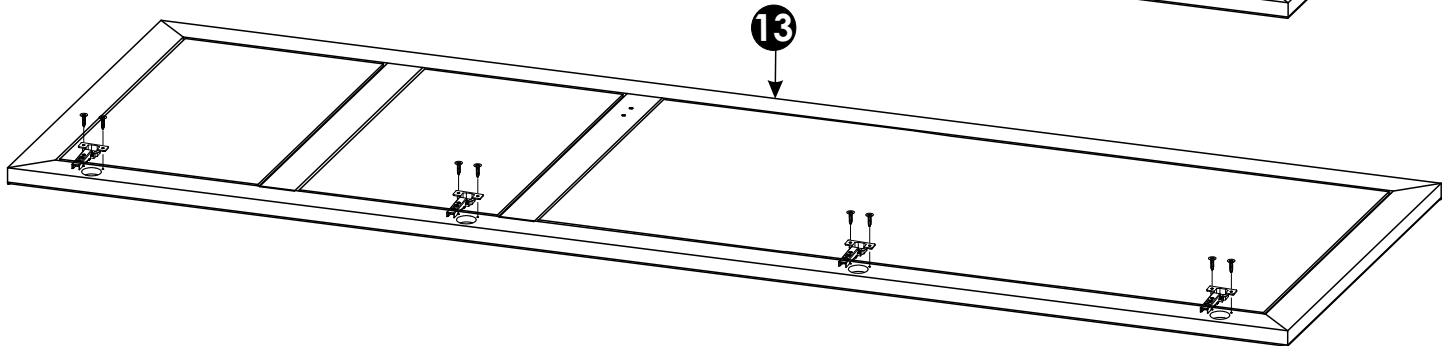
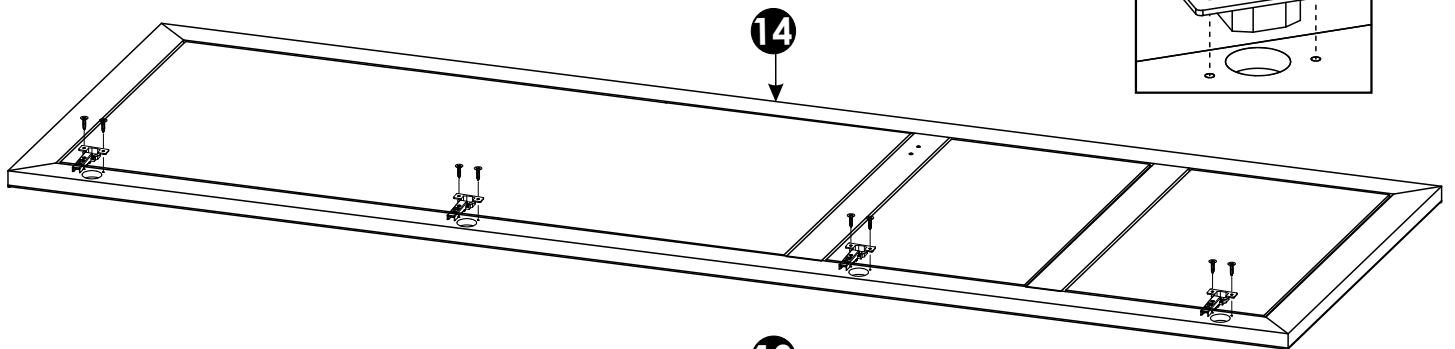
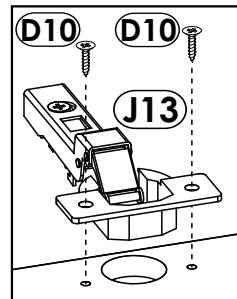
15 ▶

D10	4 x 16 mm	x16	J10	x8
				






16 ▶

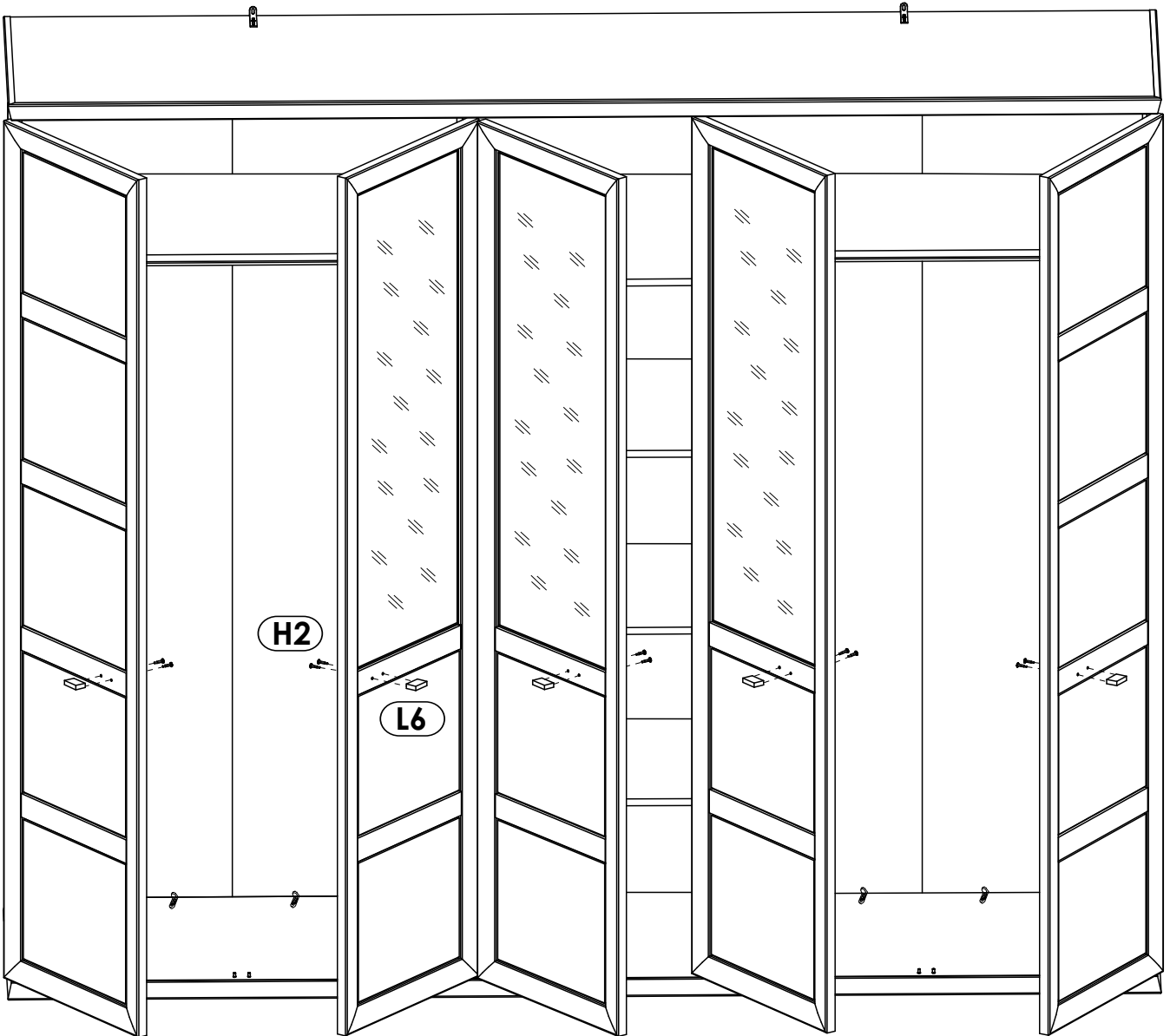
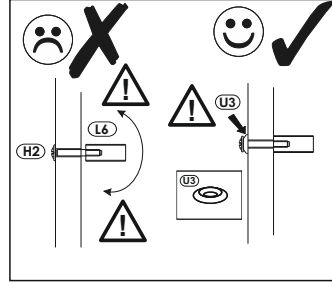
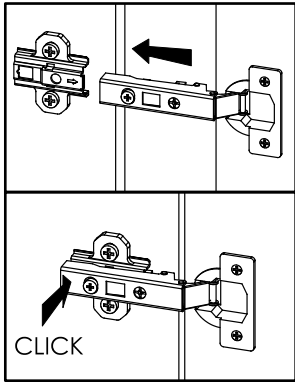
D10	4 x 16 mm	x24	J13	x12
				



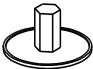
x2

17 ▶

H2  x10	L6  x5	U3*  x10 *MODEL CAMRON
--	---	---



18 ▶

<p>C0</p>  <p>x16</p>	<p>LOGO...</p> <p>x1</p>
--	--

