



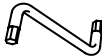


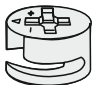

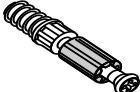











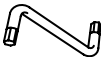

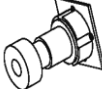

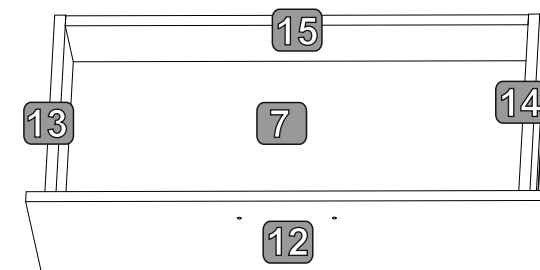
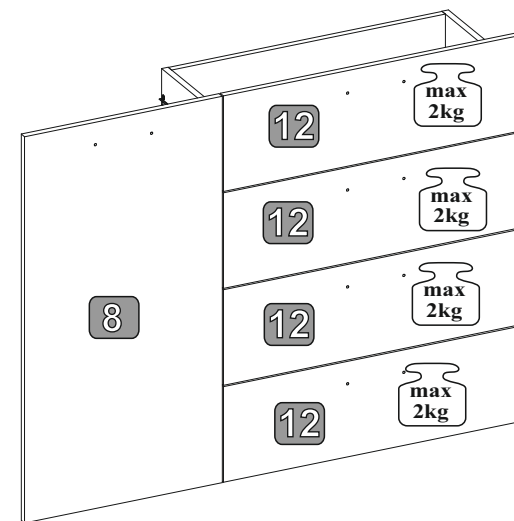
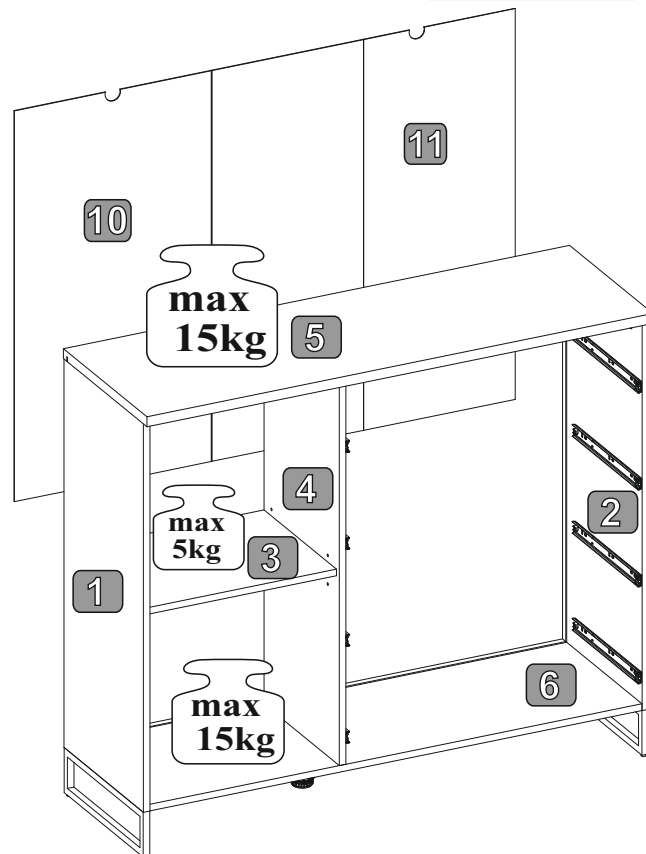
 8x P06	 3,5x13 56x W02	 5x U34	 4x25 10x W05	 5x40 8x W16	 1x K02	 3,5x16 8x W01	 8x28 44x D01	 15x12 20x T02	 5x G01
 20x T01	 5x BZN	 2x C01	 KR-0 2x Z02	 2x Z04	 4x E01	 2x F11	 2x P01	 4x W07	 2x F01
 4x WS1	 7x70 4x W70	 1x K01	 2x N04	 1x S03	 26x R01				

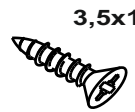

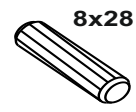
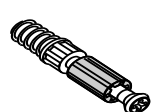
NR	DIM	QTE	COLLI
1	867x362x15	1	2/2
2	867x362x15	1	2/2
3	431x330x15	1	1/2
4	852x342,5x15	1	2/2
5	1152x380x22	1	2/2
6	1120x361,5x15	1	2/2
7	634x297x2	4	1/2
8	861x450x15	1	1/2
9	838x450x15	1	1/2
10	871x448x2	1	1/2
11	871x690x2	1	1/2
12	693x213x15	4	1/2
13	300x120x15	4	1/2
14	300x120x15	4	1/2
15	623x120x15	4	1/2

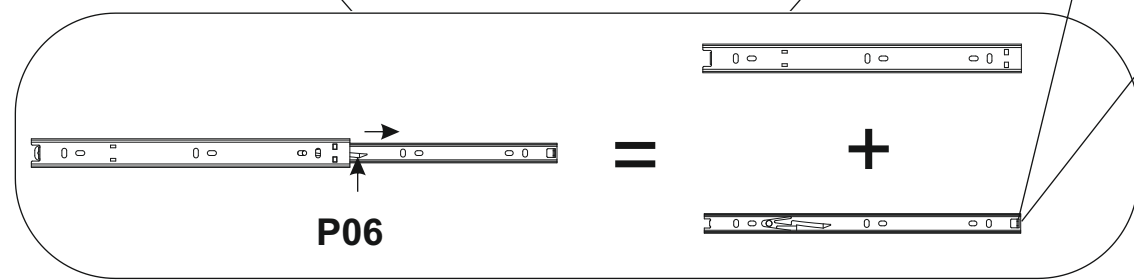
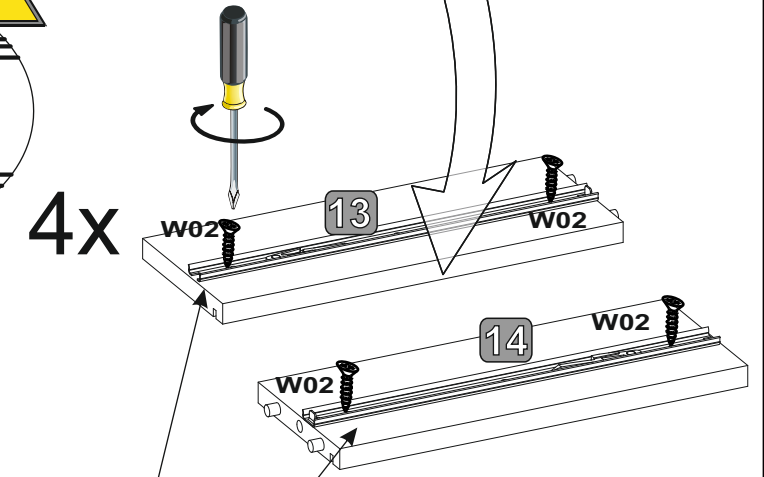
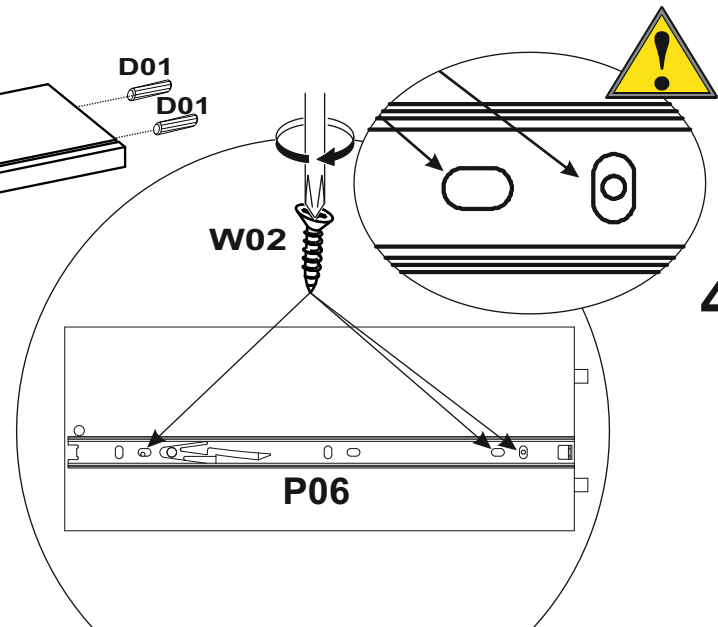
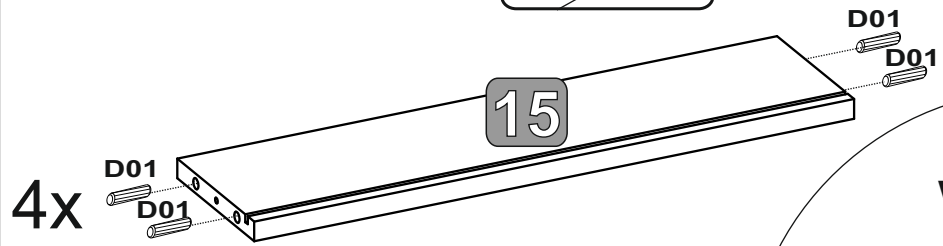
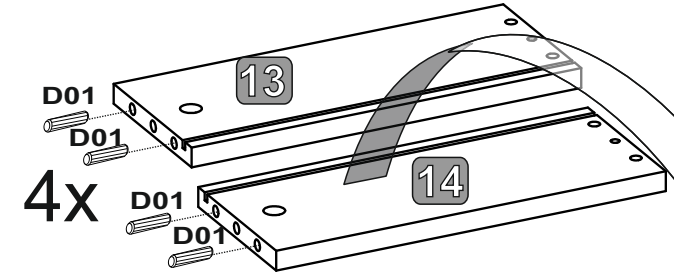
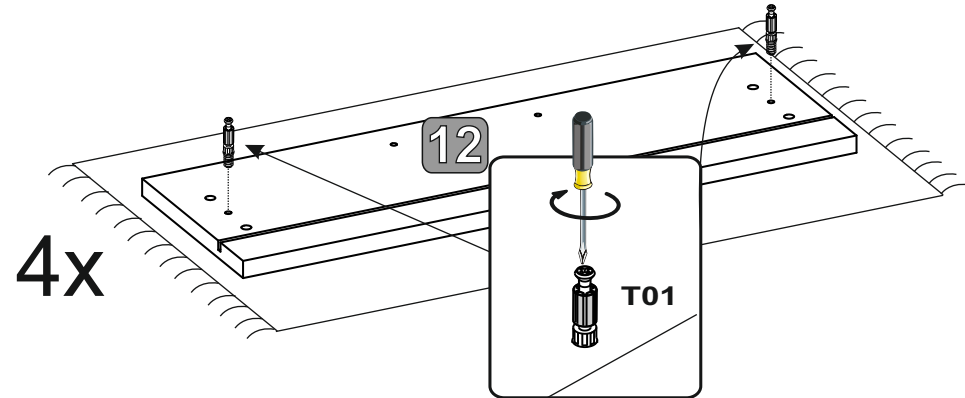


0 10 20 30 40 50 60 70 80 90 100 110 120 130 140 150 160 170 180 190 200




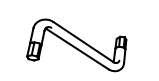
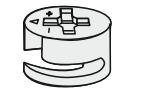



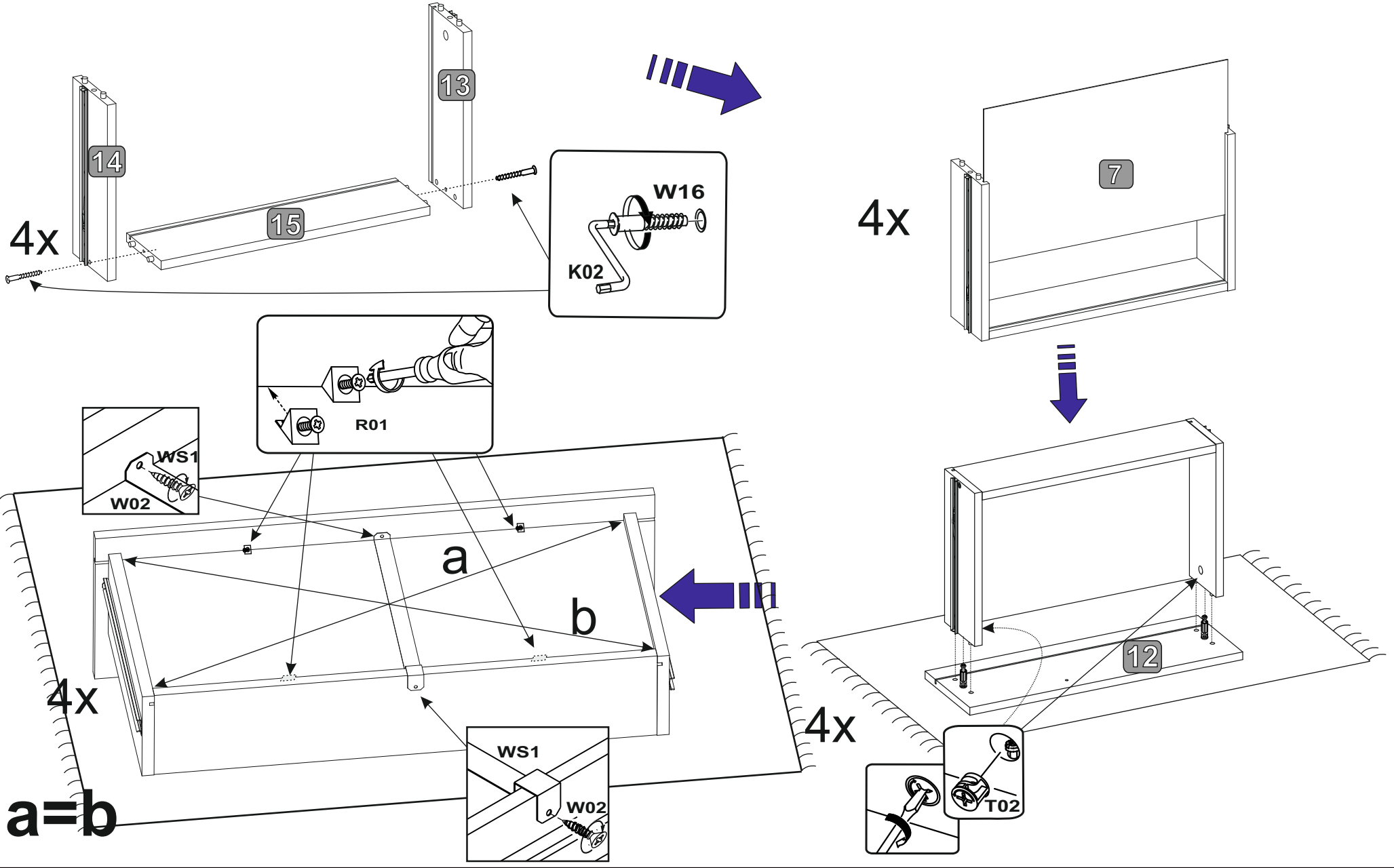
# 1

 3,5x13 24x W02	 8x P06	 8x28 32x D01	 8x T01
--	---	--	---

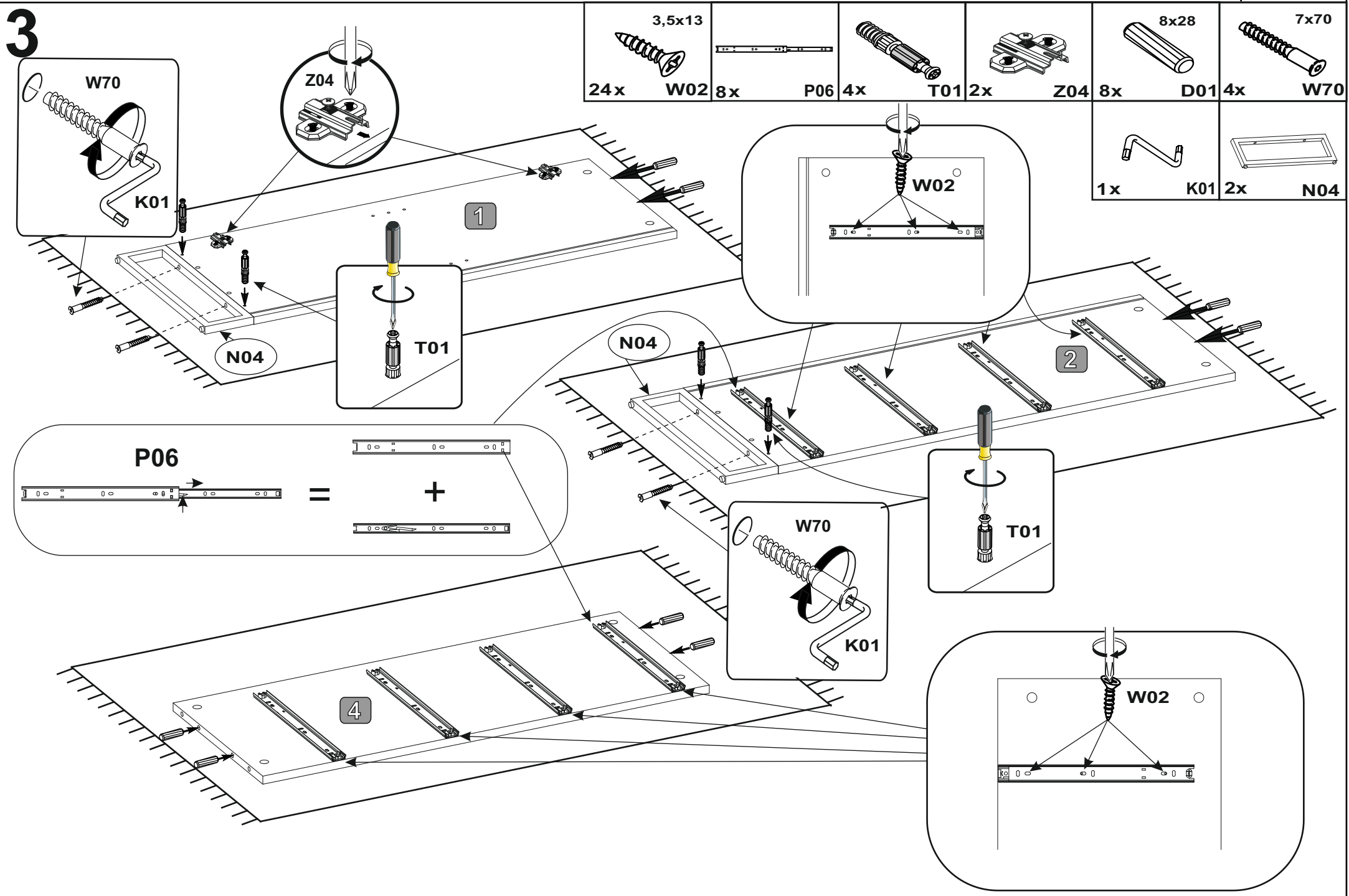


# 2

 4x WS1	 3,5x13 8x W02	 16x R01	 1x K02	 15x12 8x T02	 5x40 8x W16
--	---	--	---	--	---

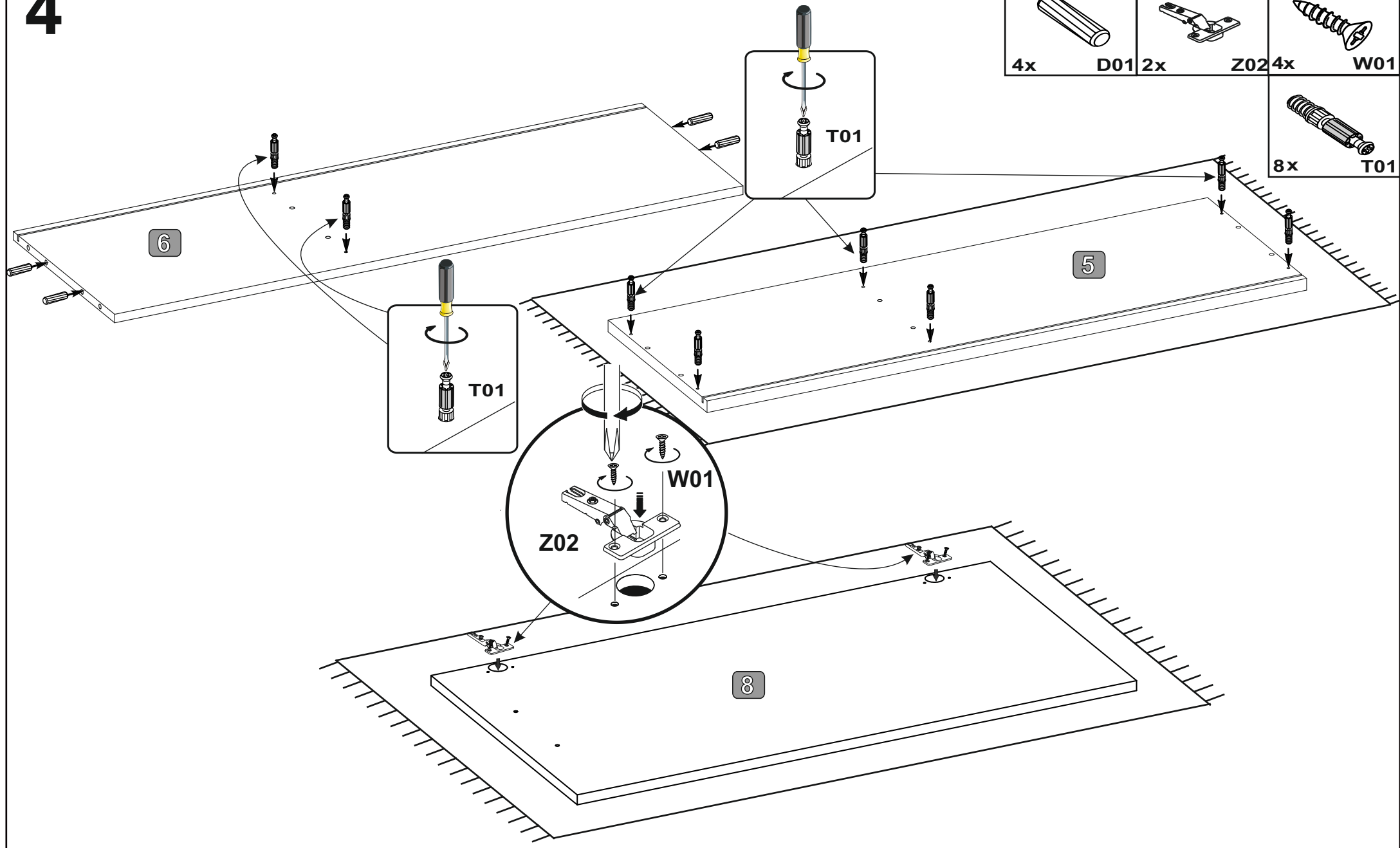


# 3

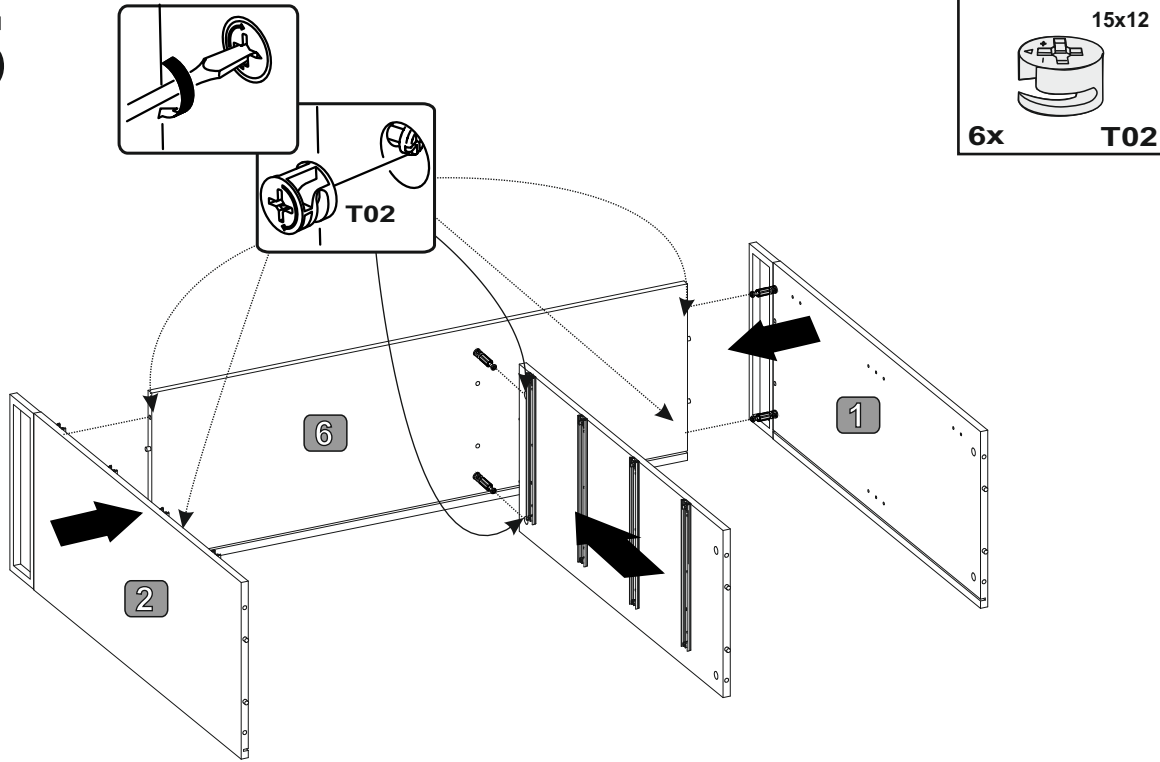


4

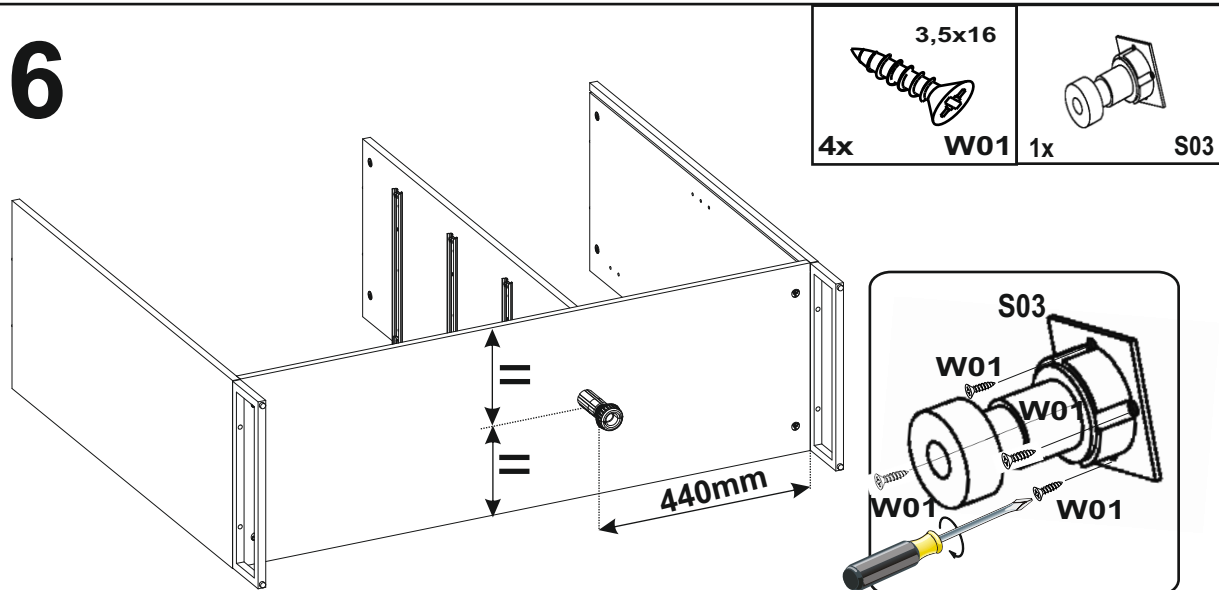
8x28 4x D01	KR-0 2x Z02	3,5x16 4x W01
		8x T01



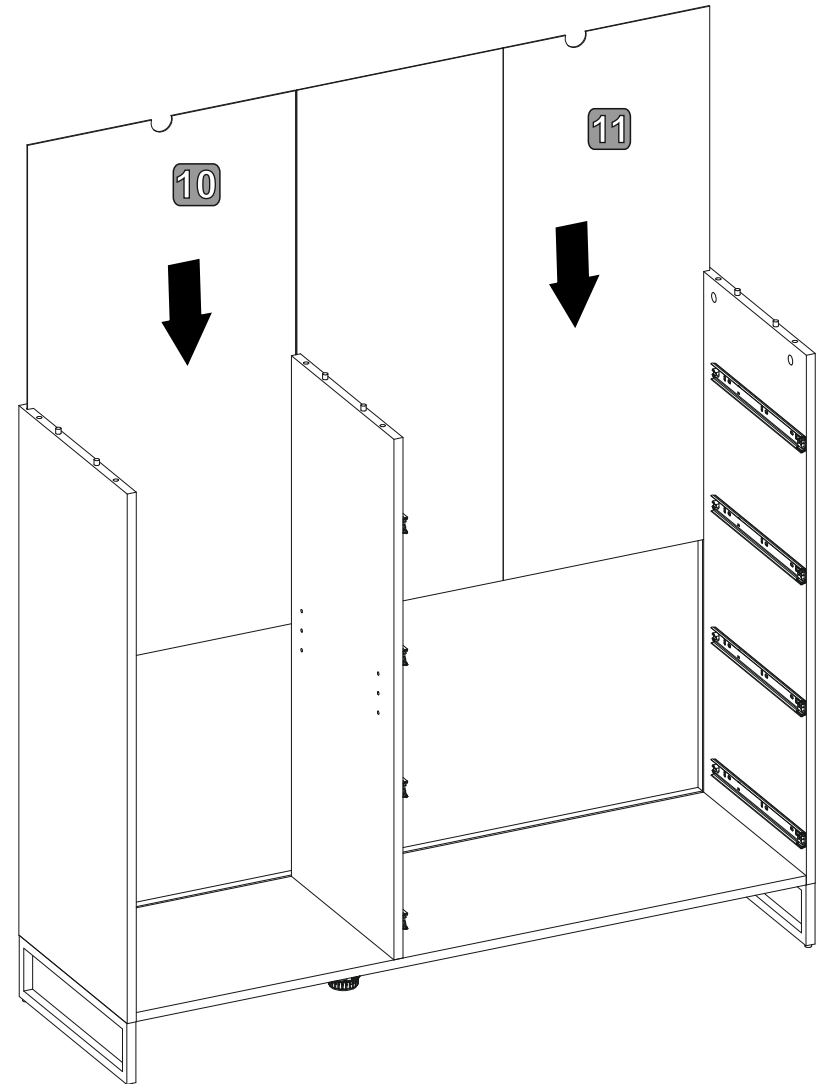
## 5



## 6

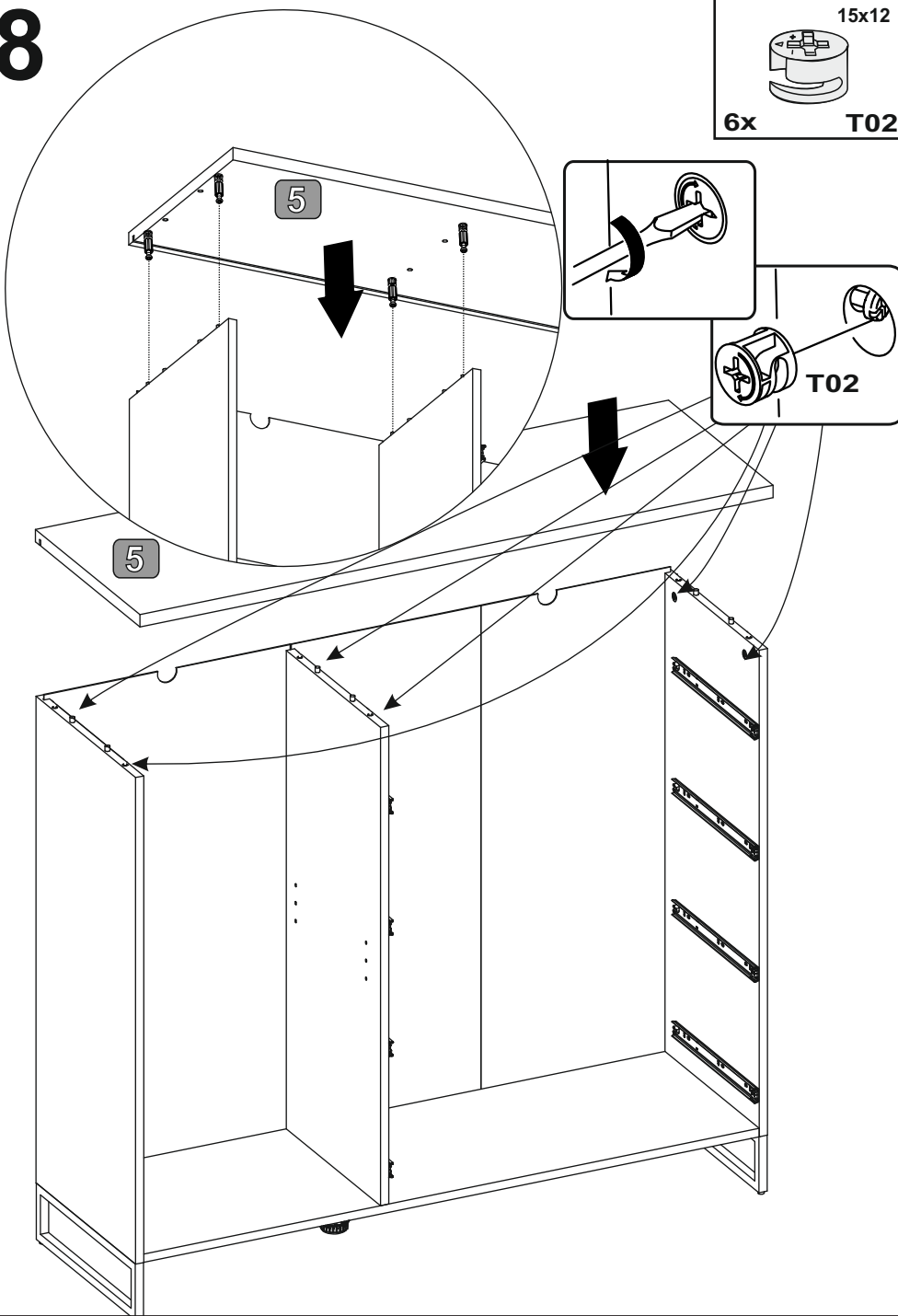


## 7



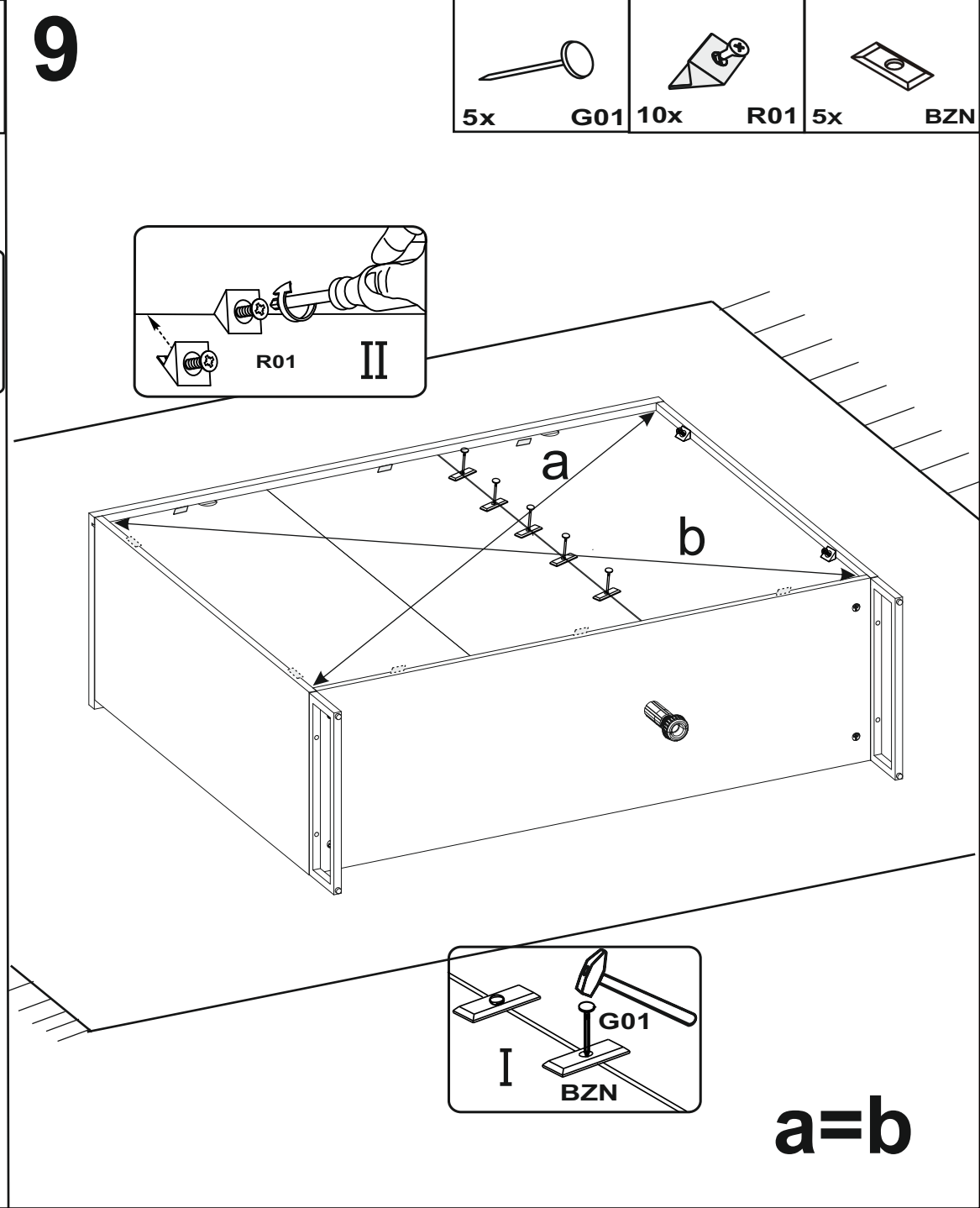
# 8

15x12  
6x T02



# 9

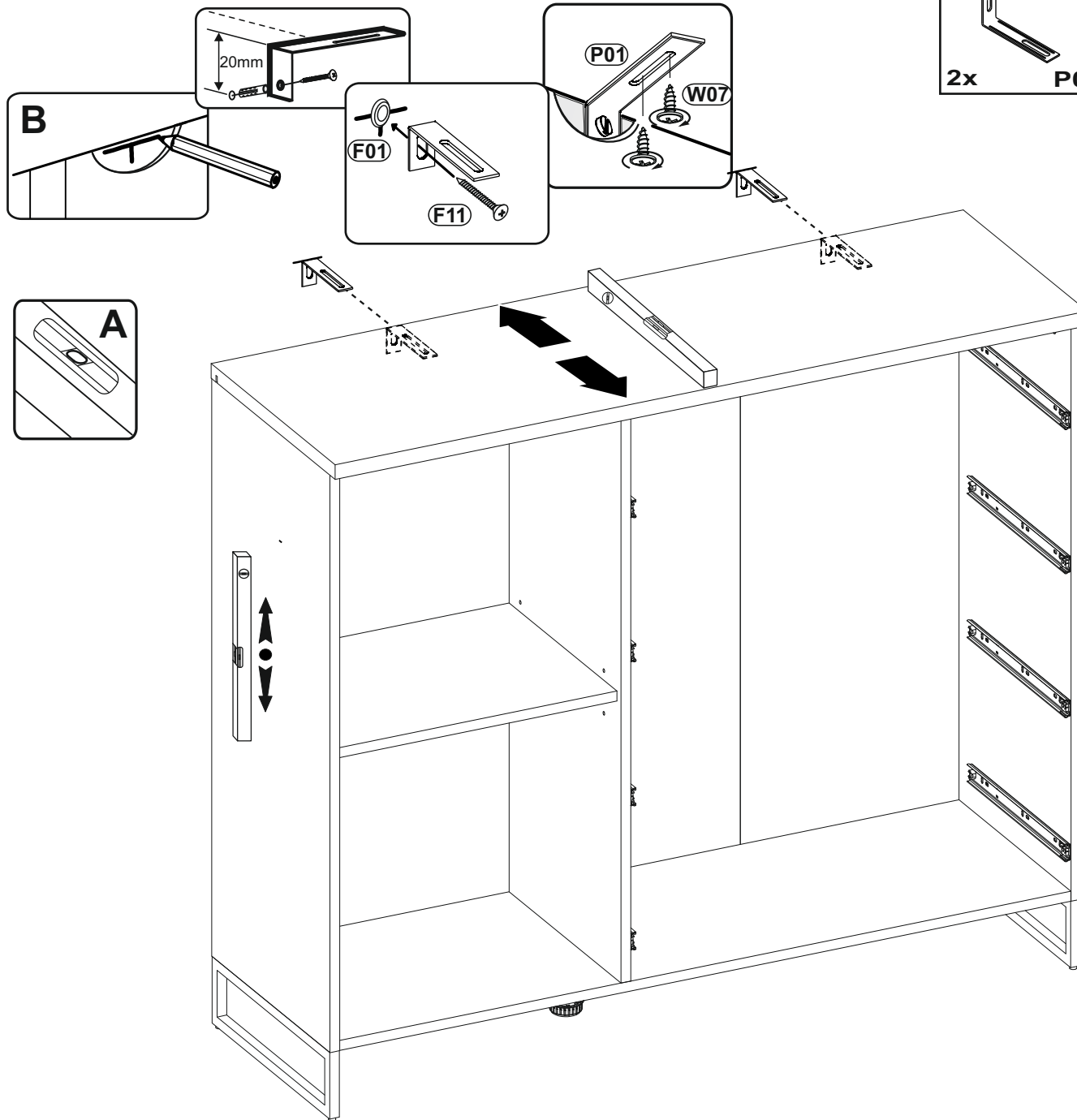
5x G01 10x R01 5x BZN

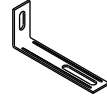
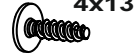




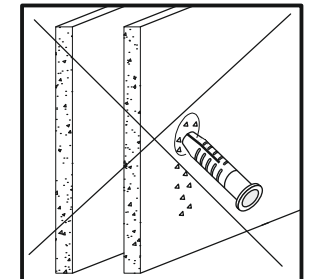
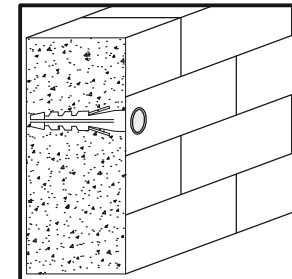
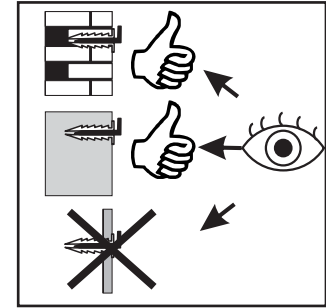
$a=b$



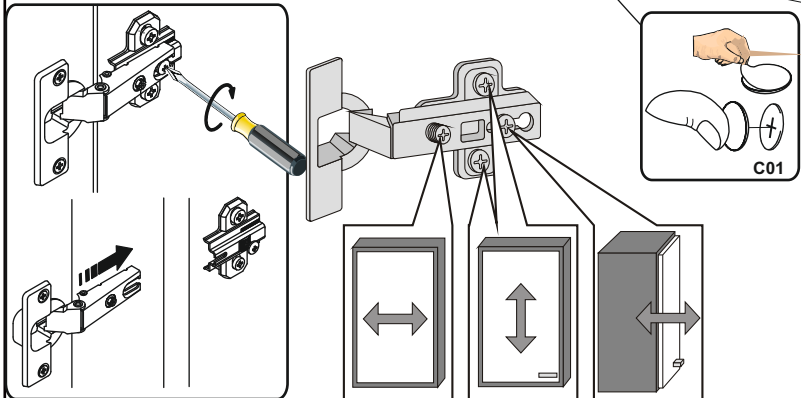
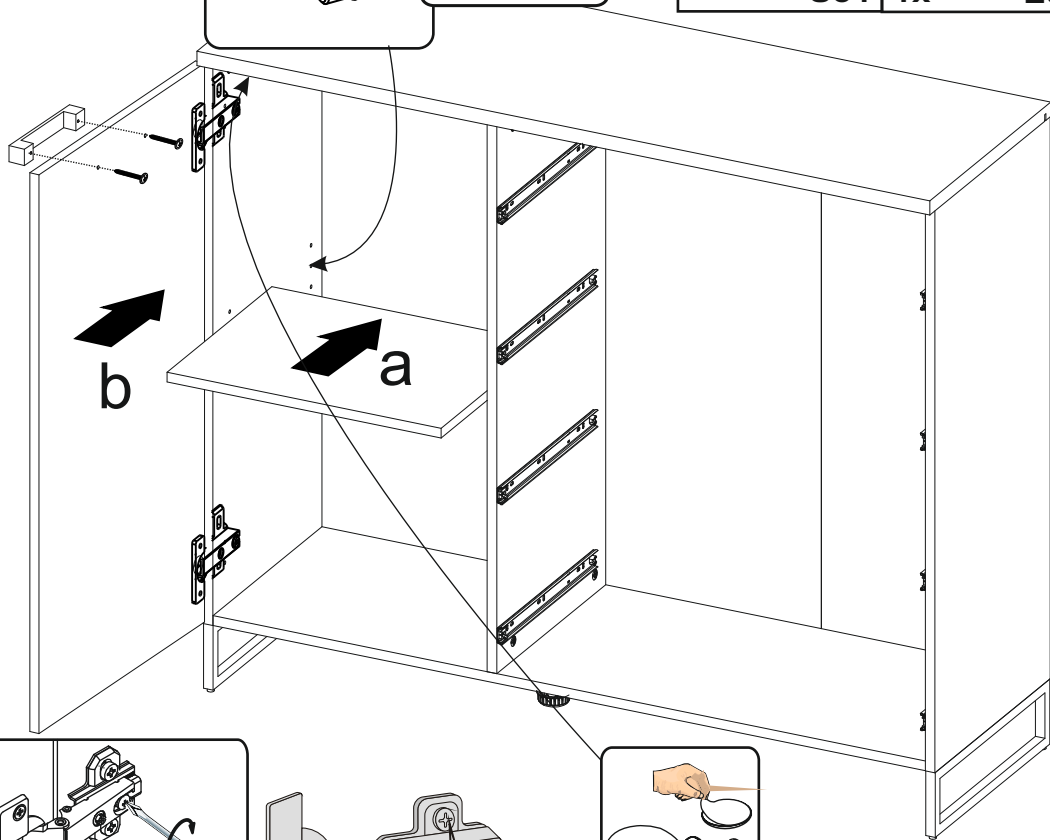
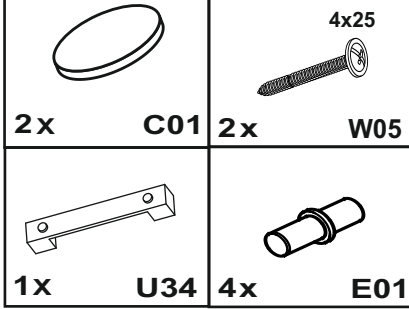
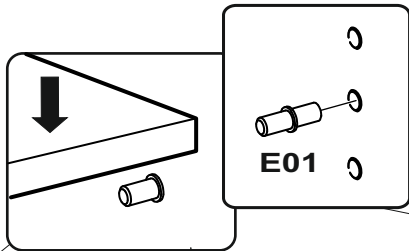
10



 2x P01	 4x W07	 2x F11	 2x F01
---	---	---	---



11



12

