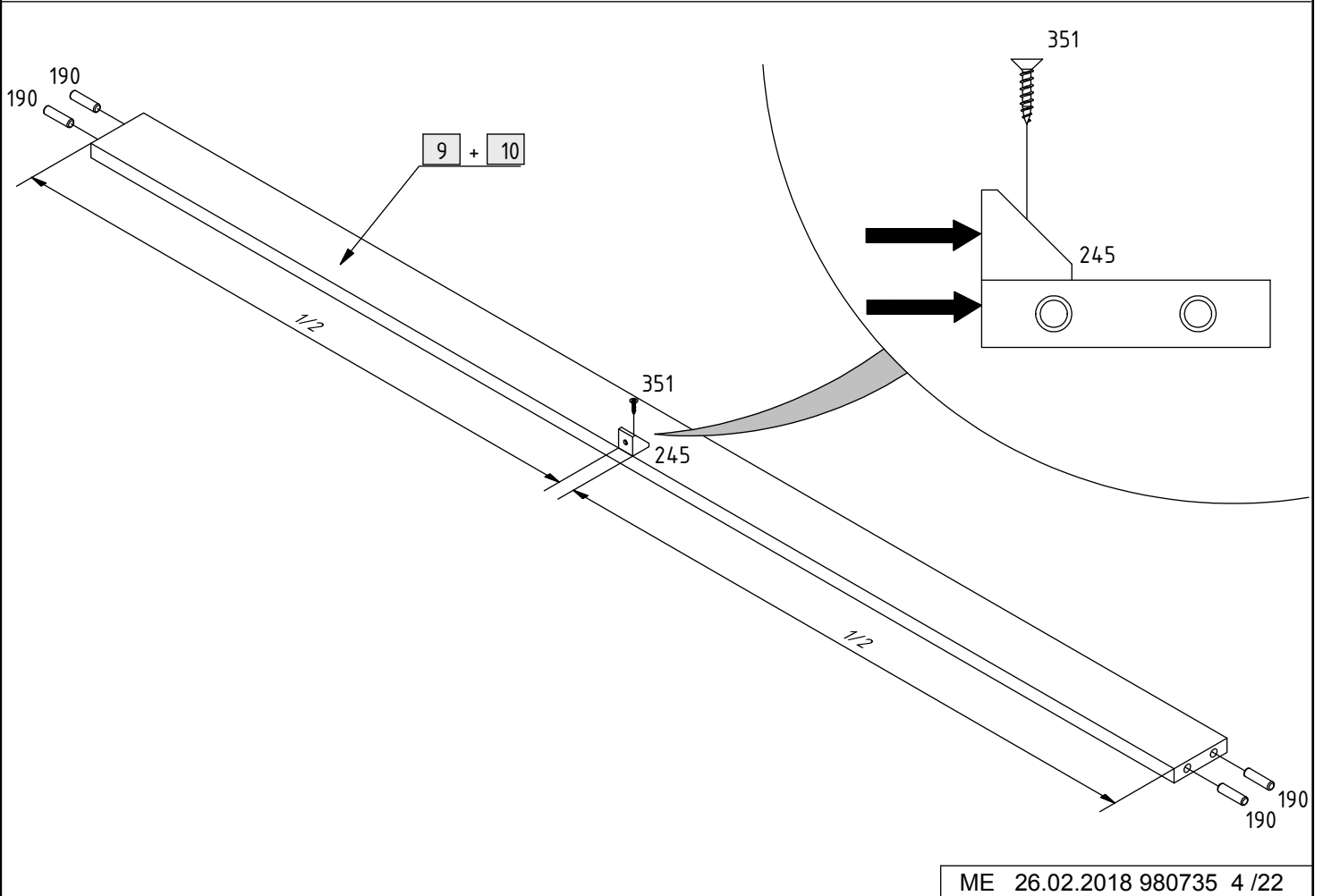
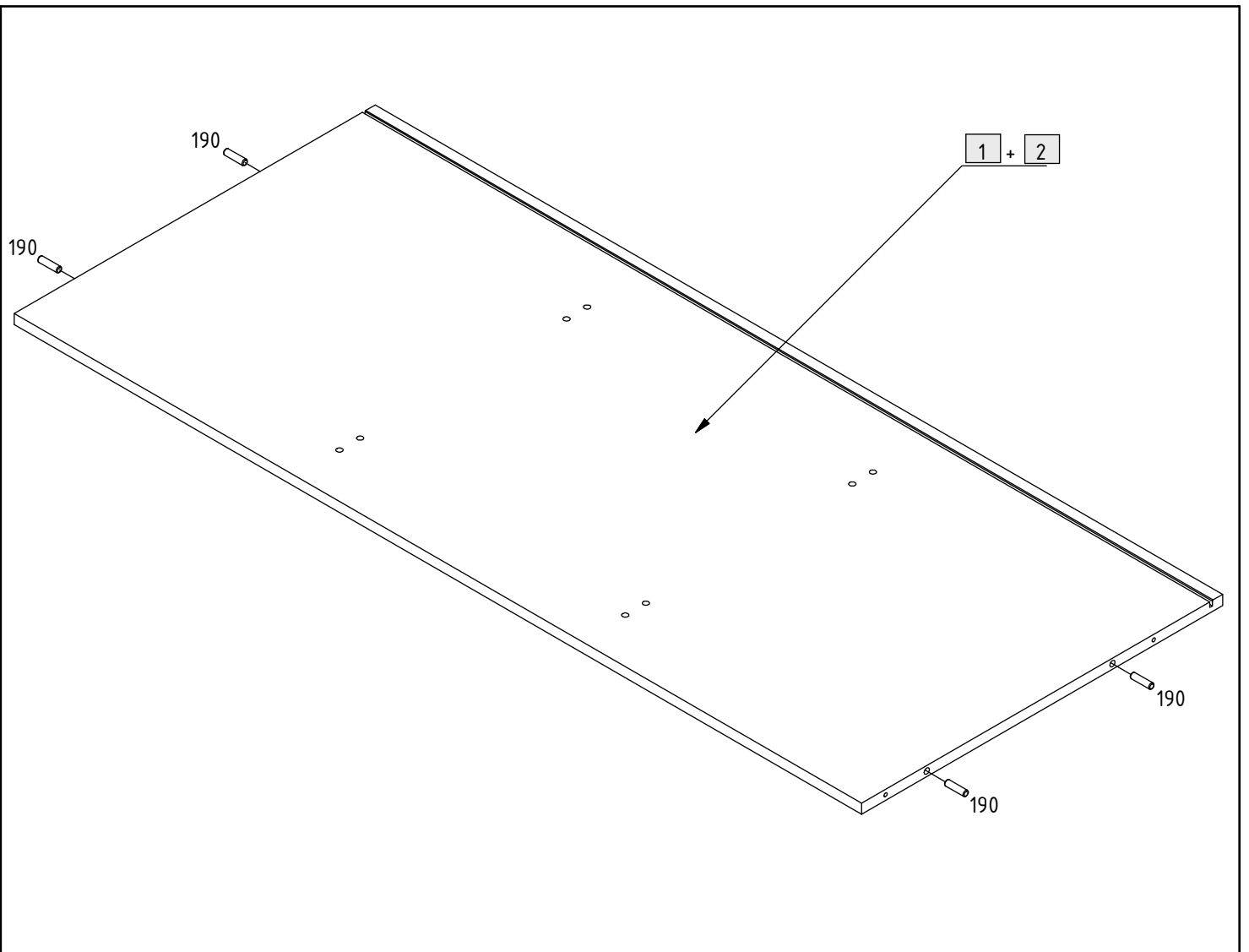
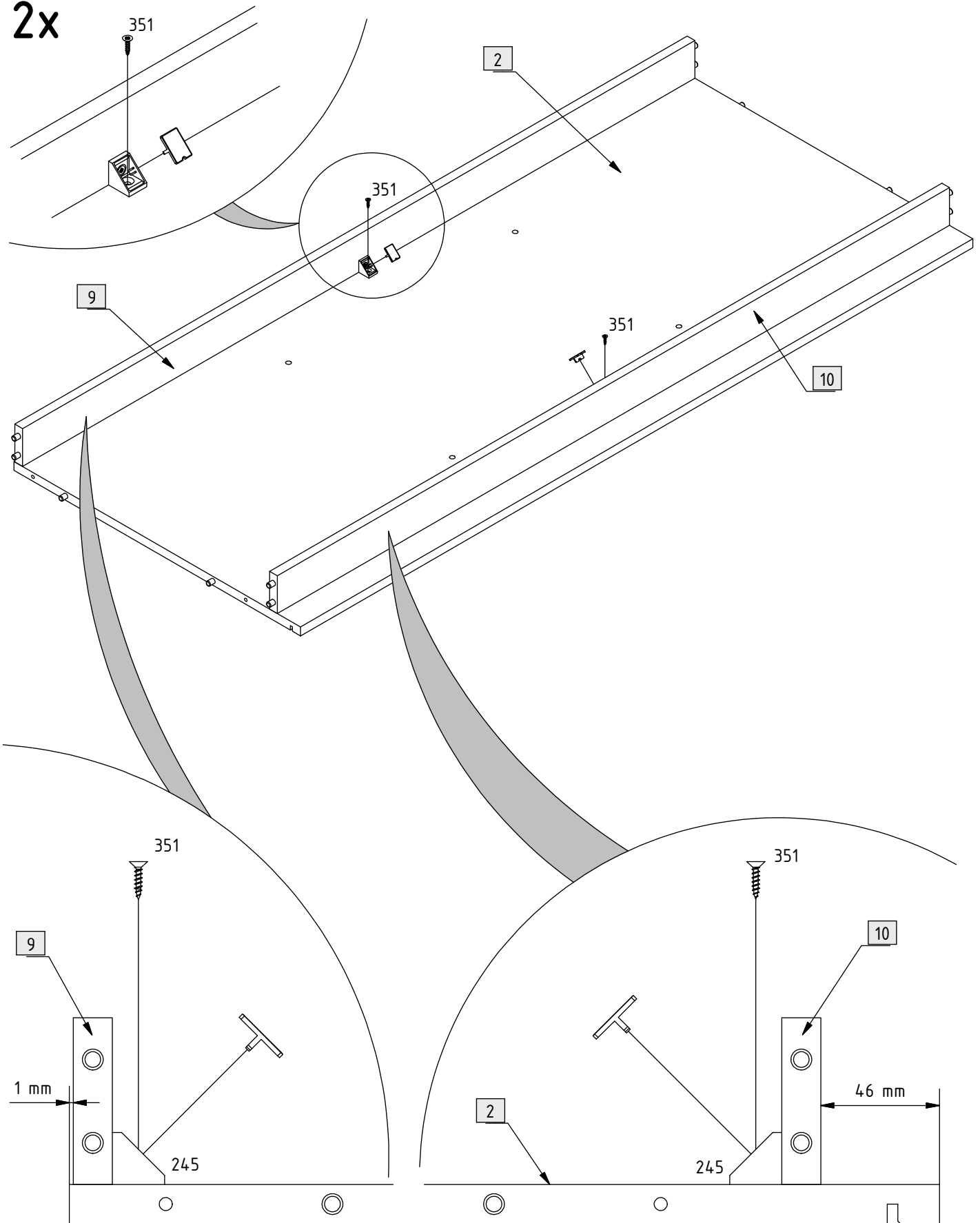
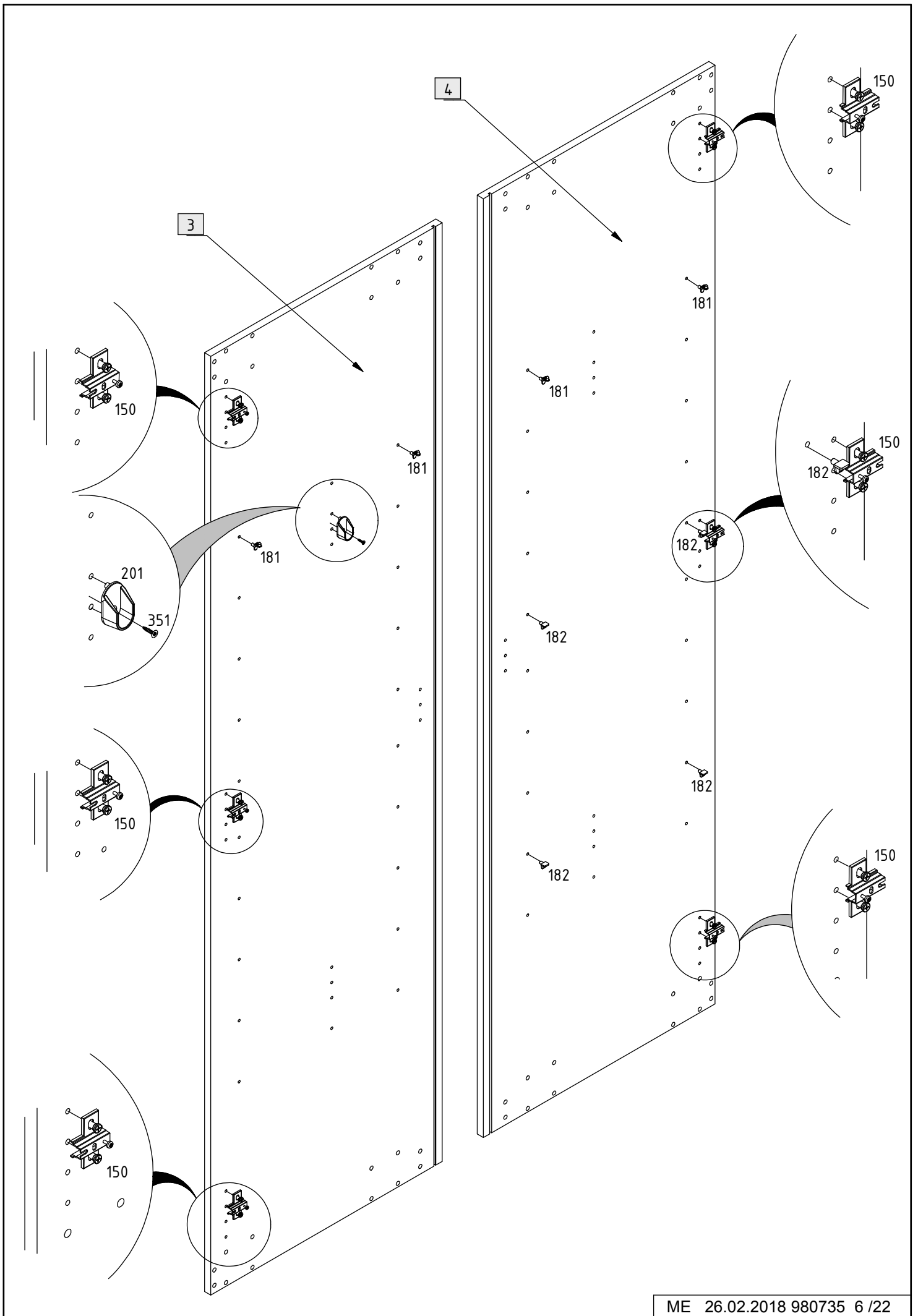


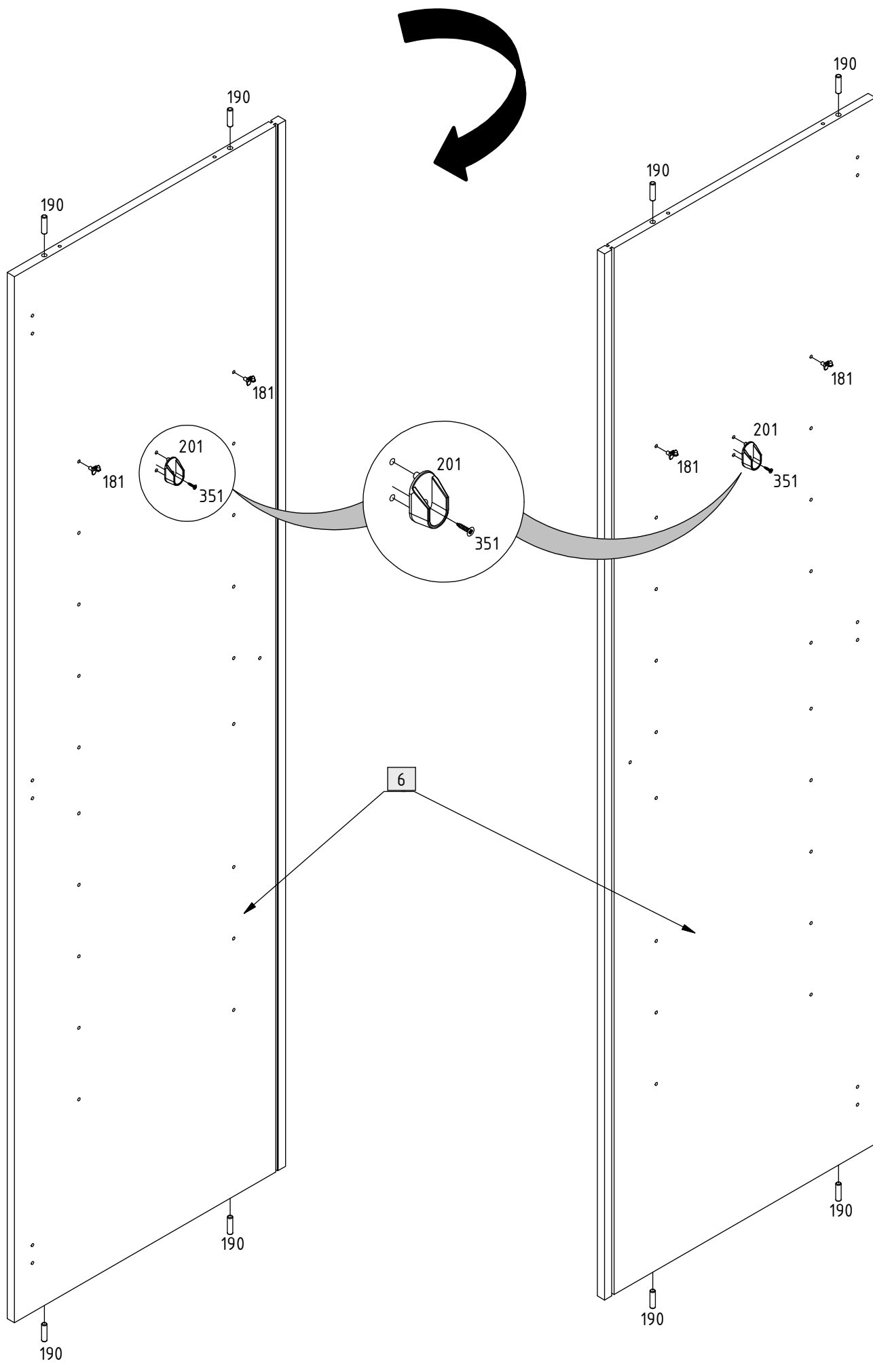
101	8		303	6	 6 x 11 mm
102	8		320	12	 6 x 50 mm
150	9		351	44	 3,5 x 15 mm
152	9		375	6	 3 x 13 mm
160	2		397	2	 M4 x 18 mm
181	12		521	3	
182	8		744	2	
190	24	 Ø8 x 30 mm	750	8	
201	4		825	2	
221	6				
245	2				
255	2				
256	2				

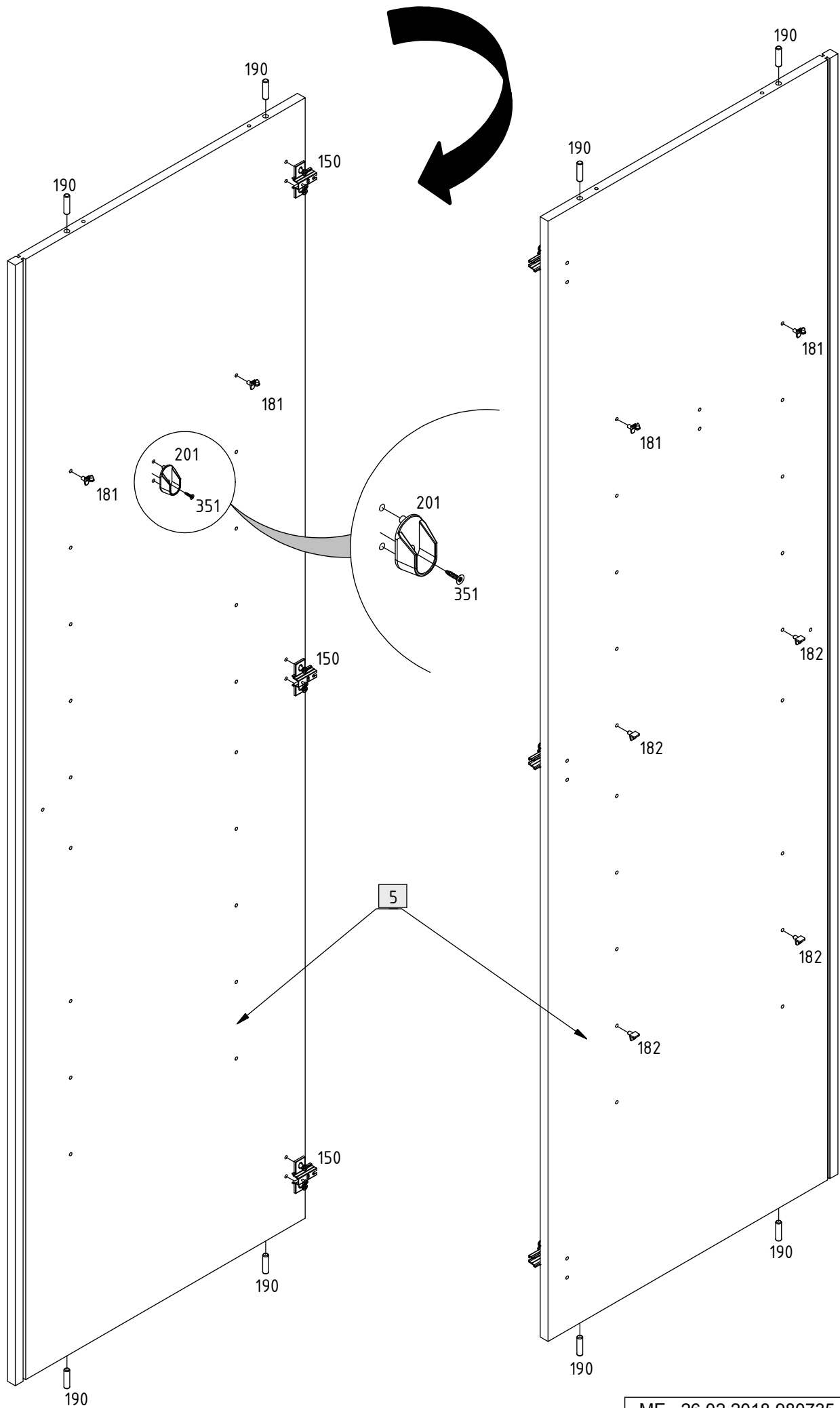


2x





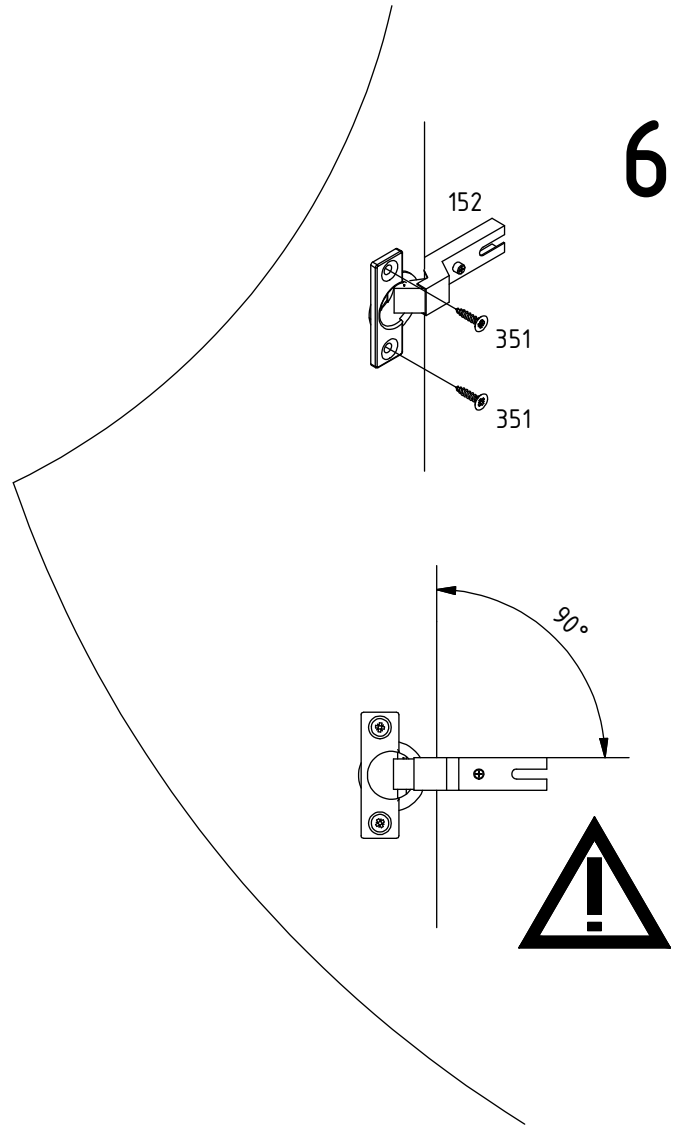
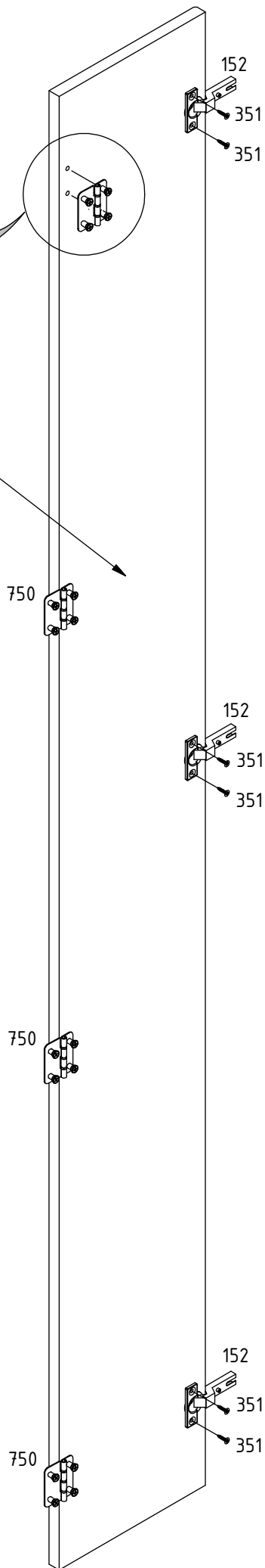




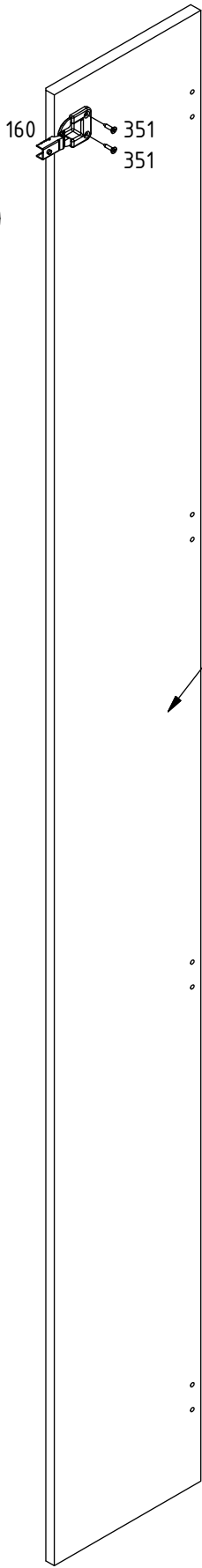
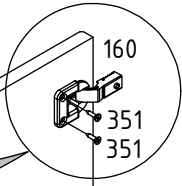
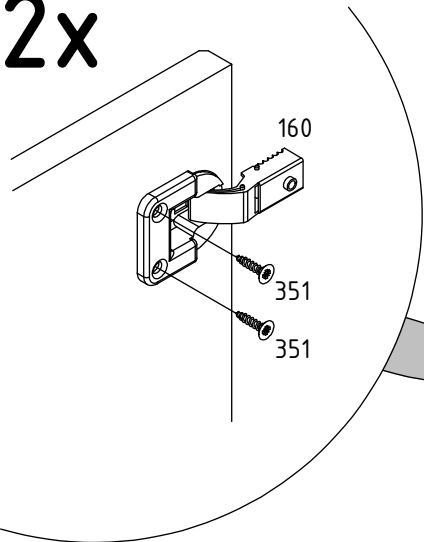
6x

2x

12

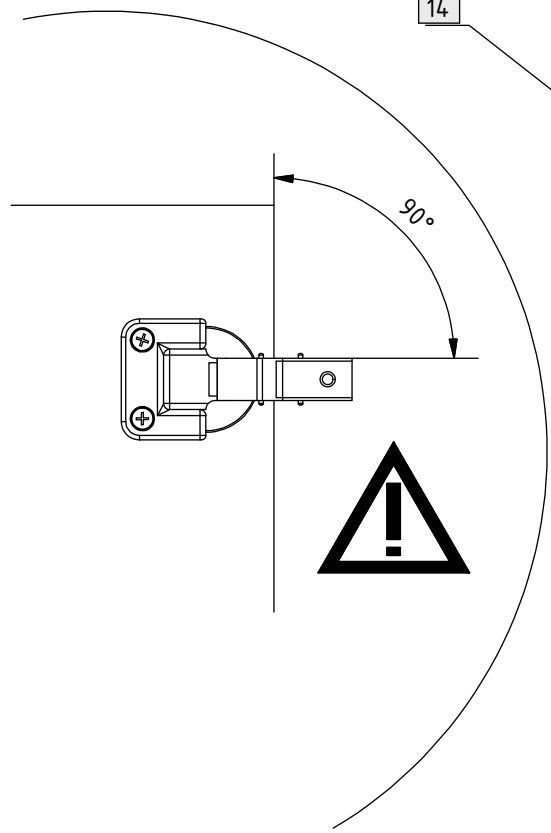


2x



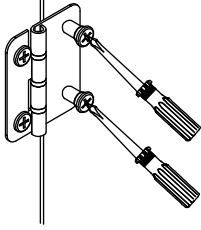
14

13



8x

750



750

14

12

750

750

750

13

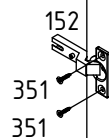
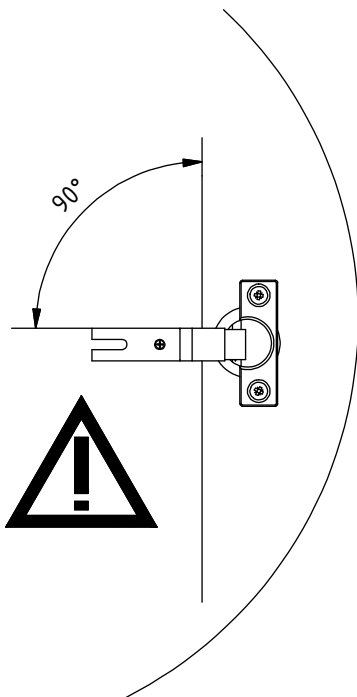
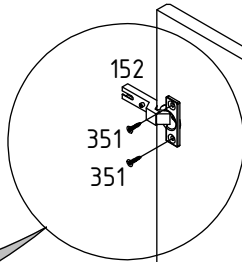
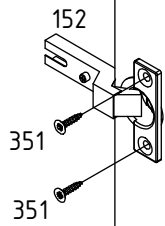
12

750

750

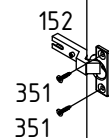
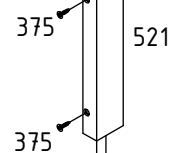
750

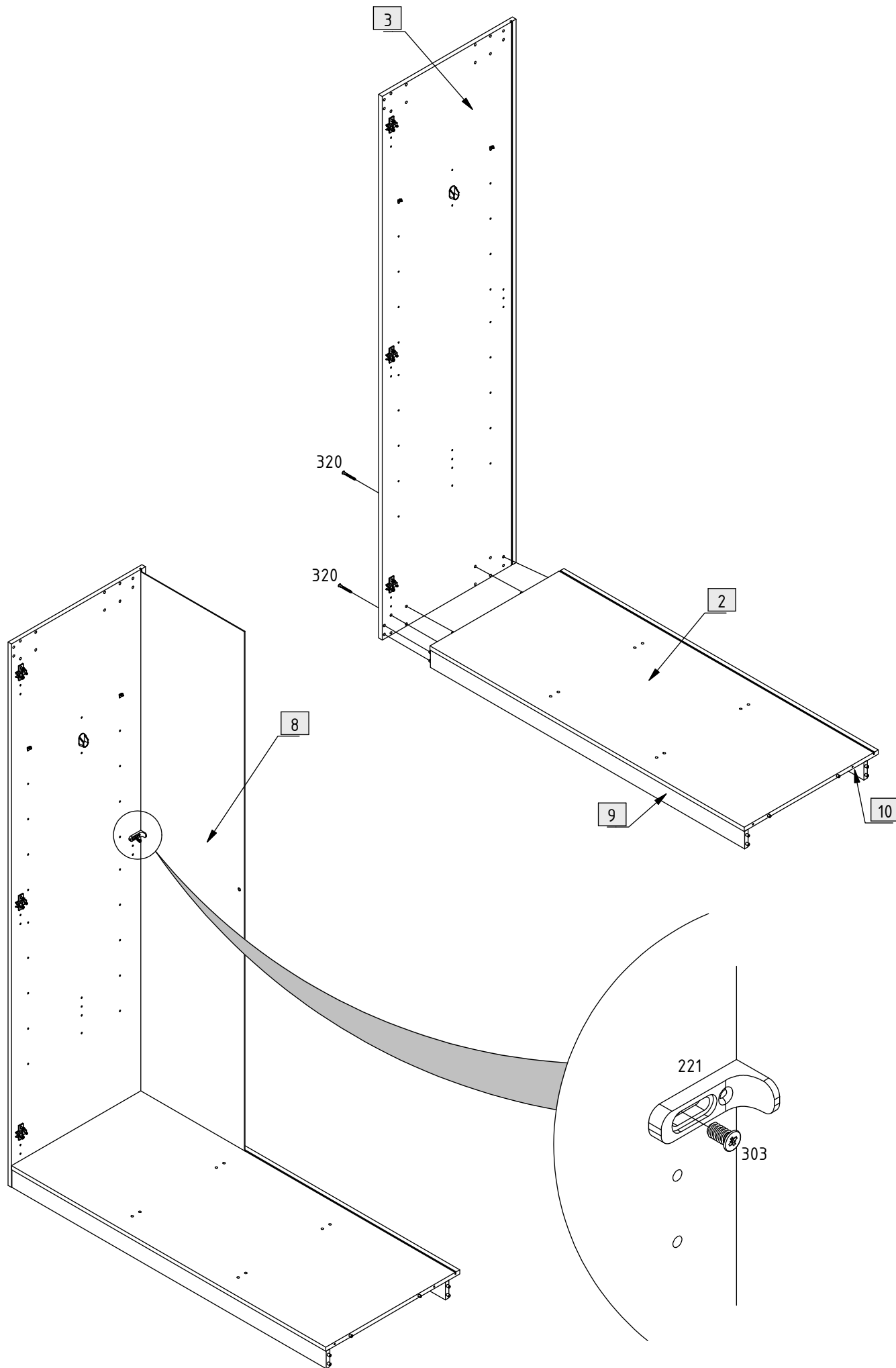
3x

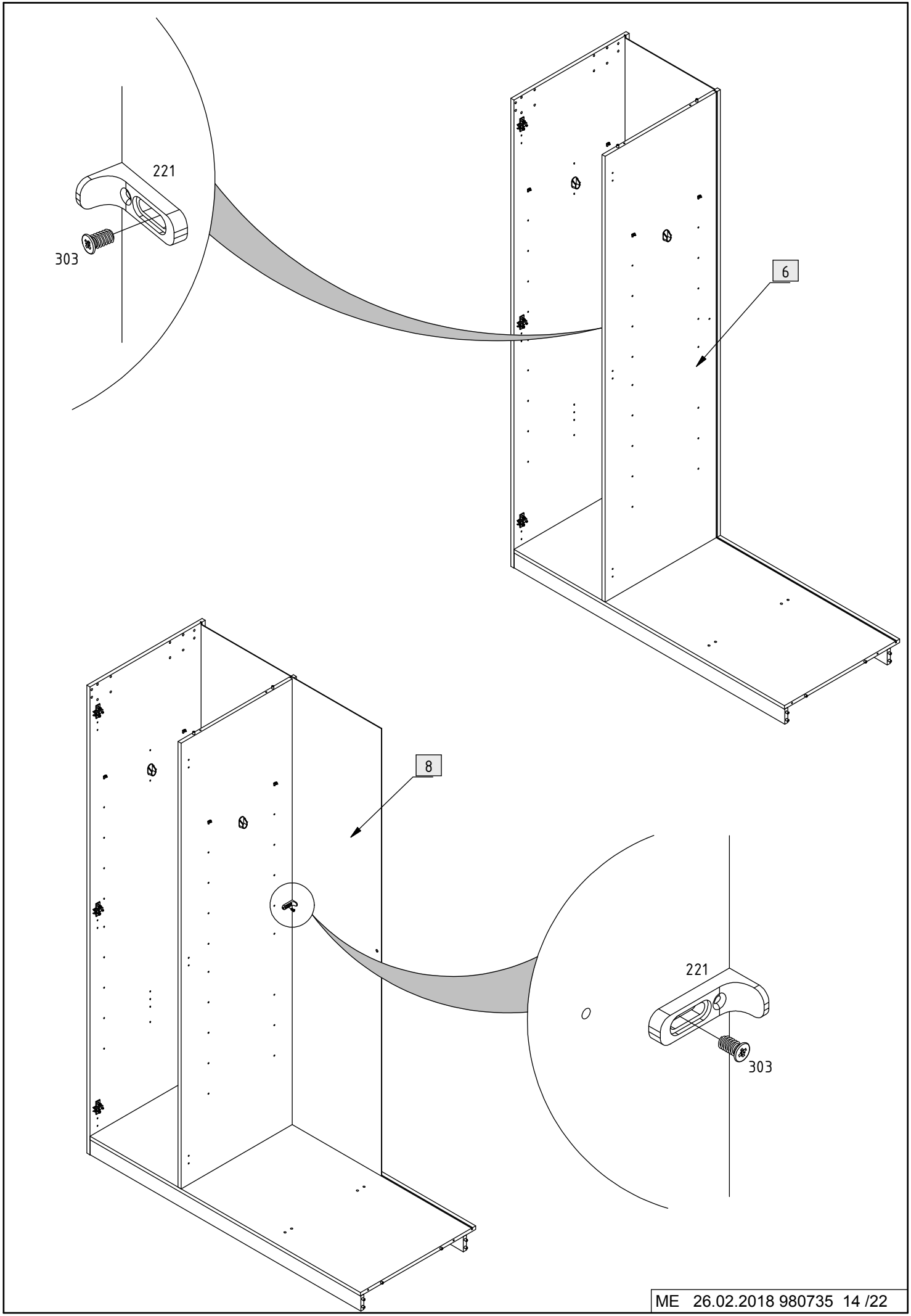


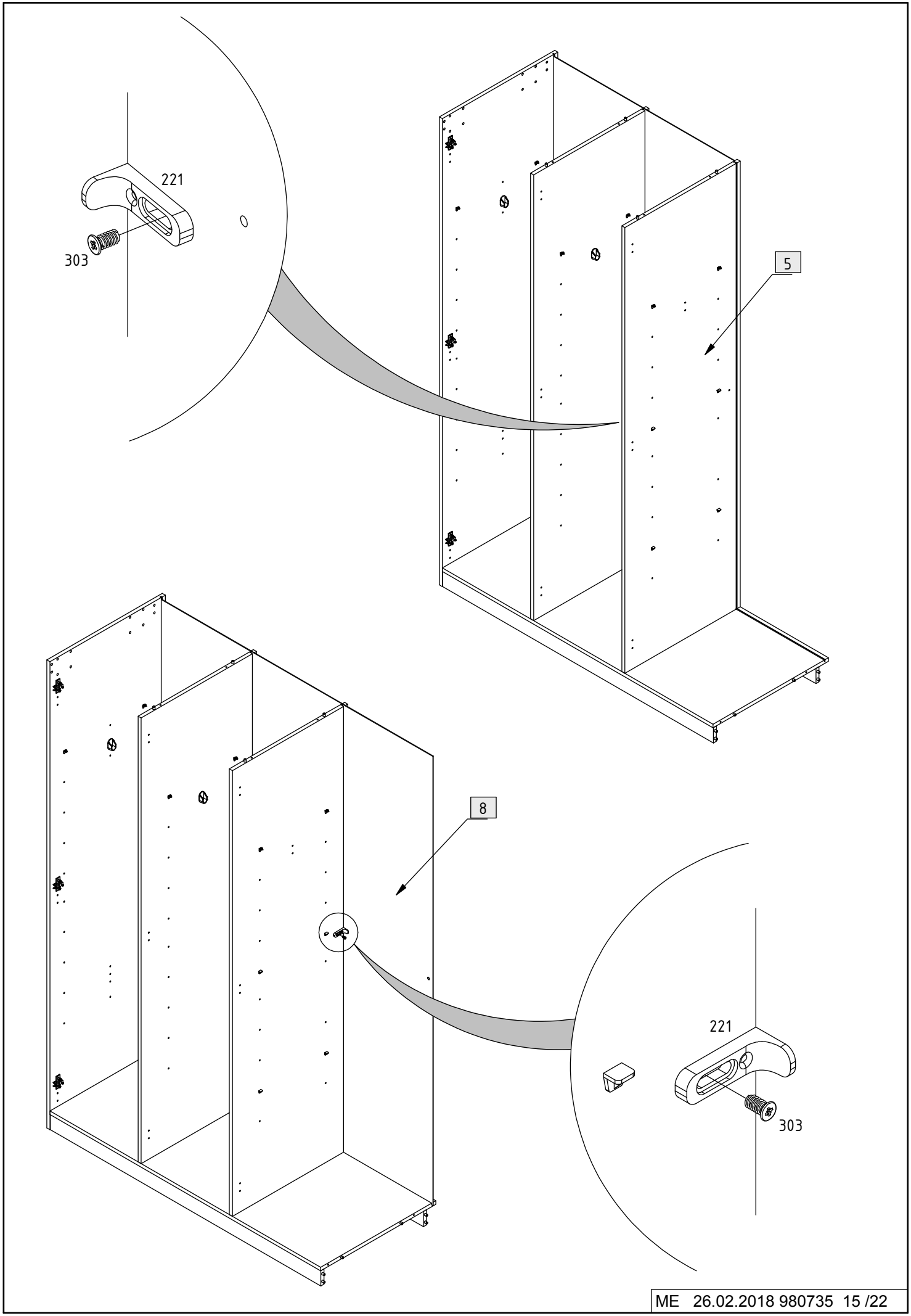
856,5mm

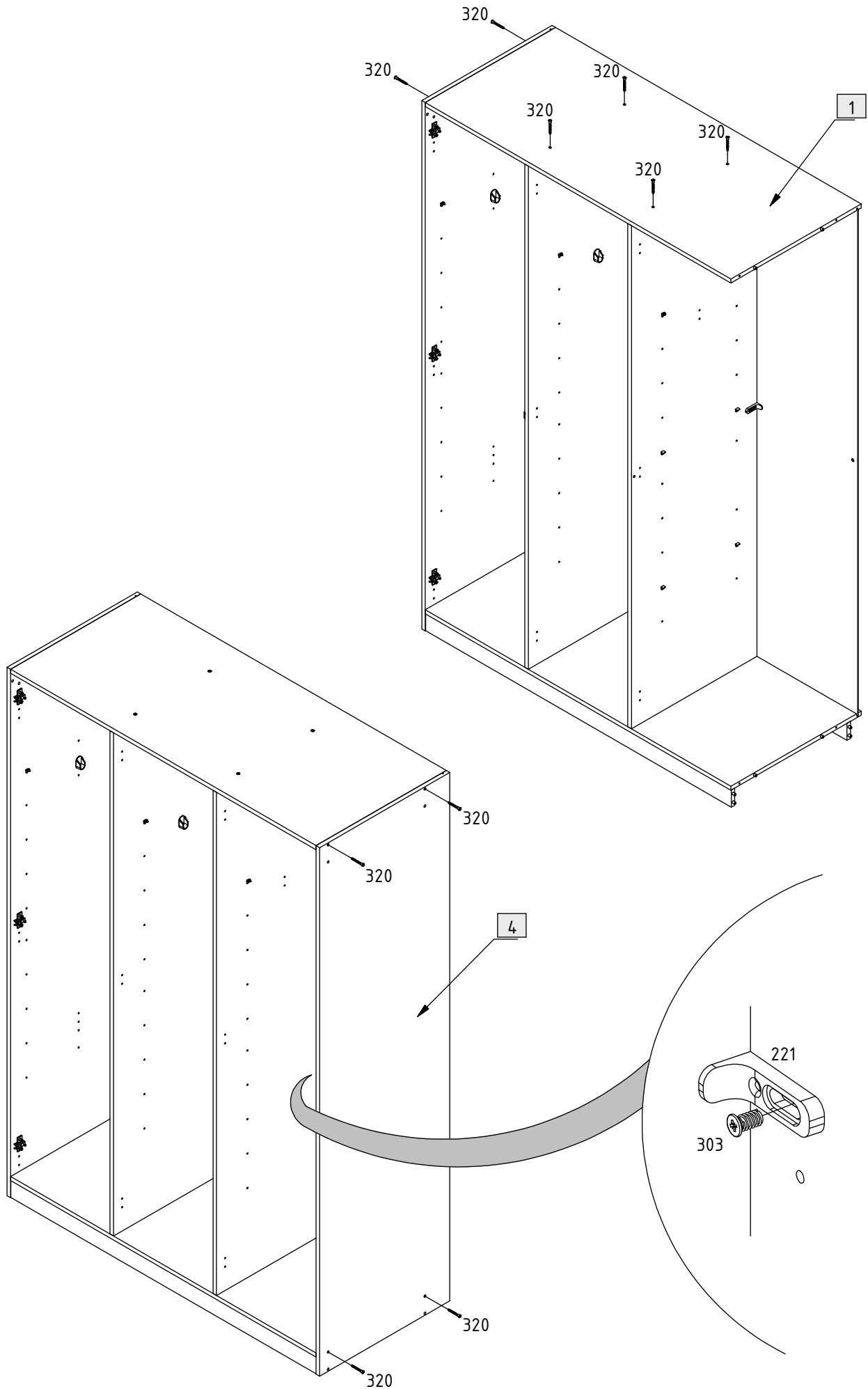
15

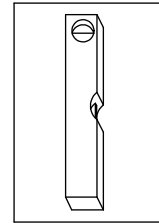
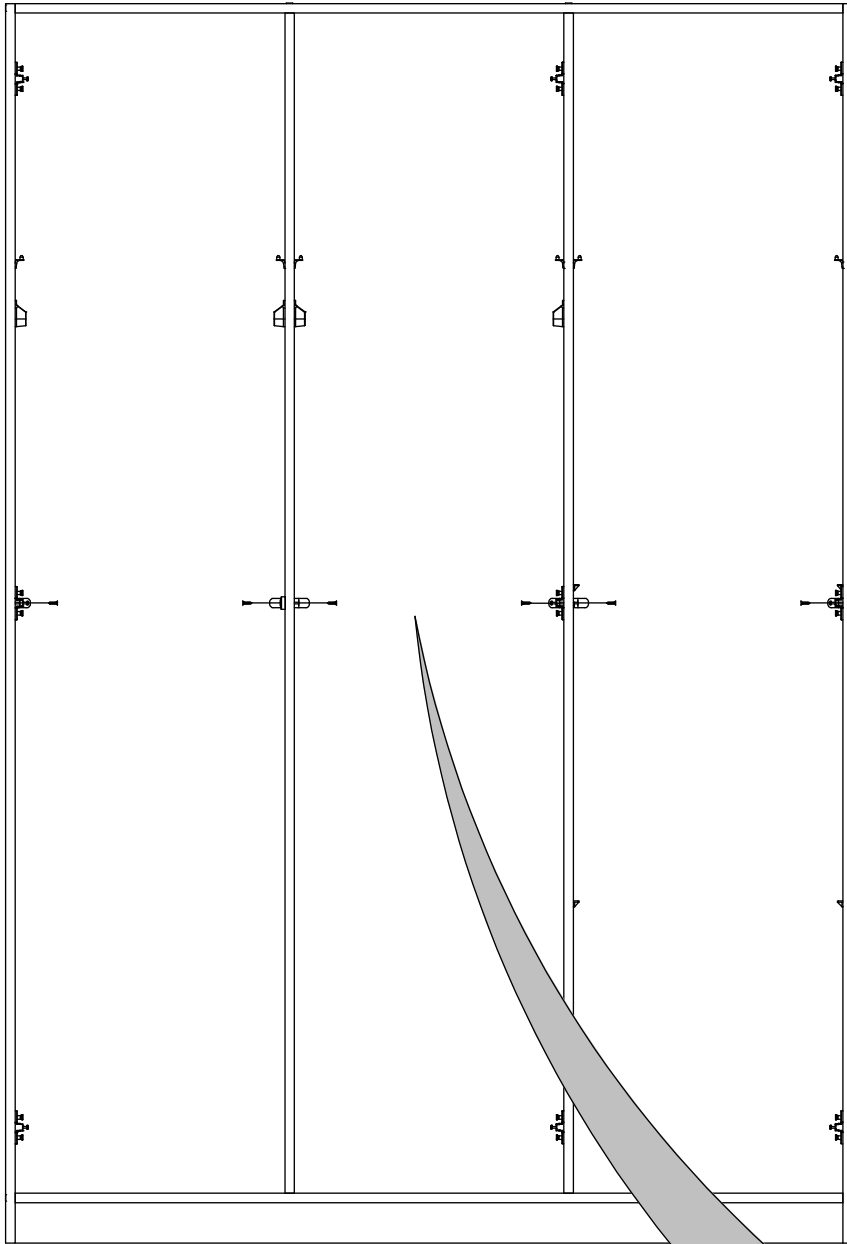
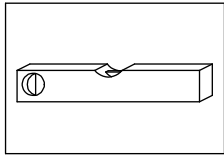




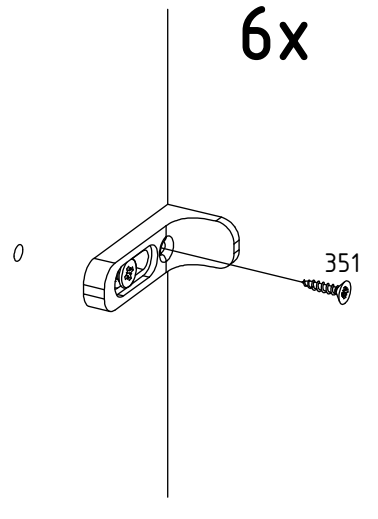


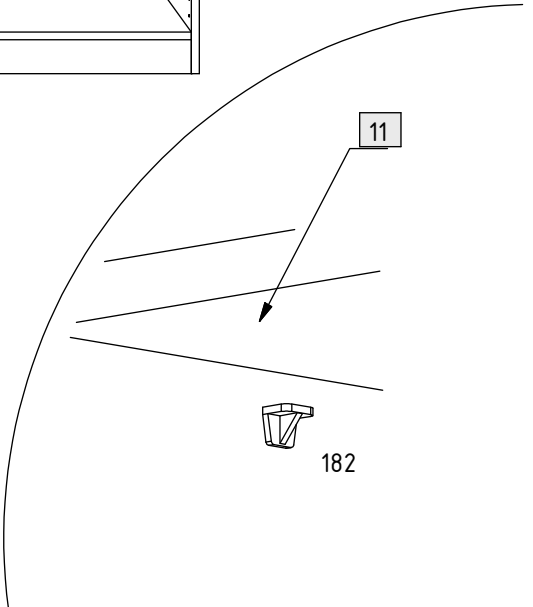
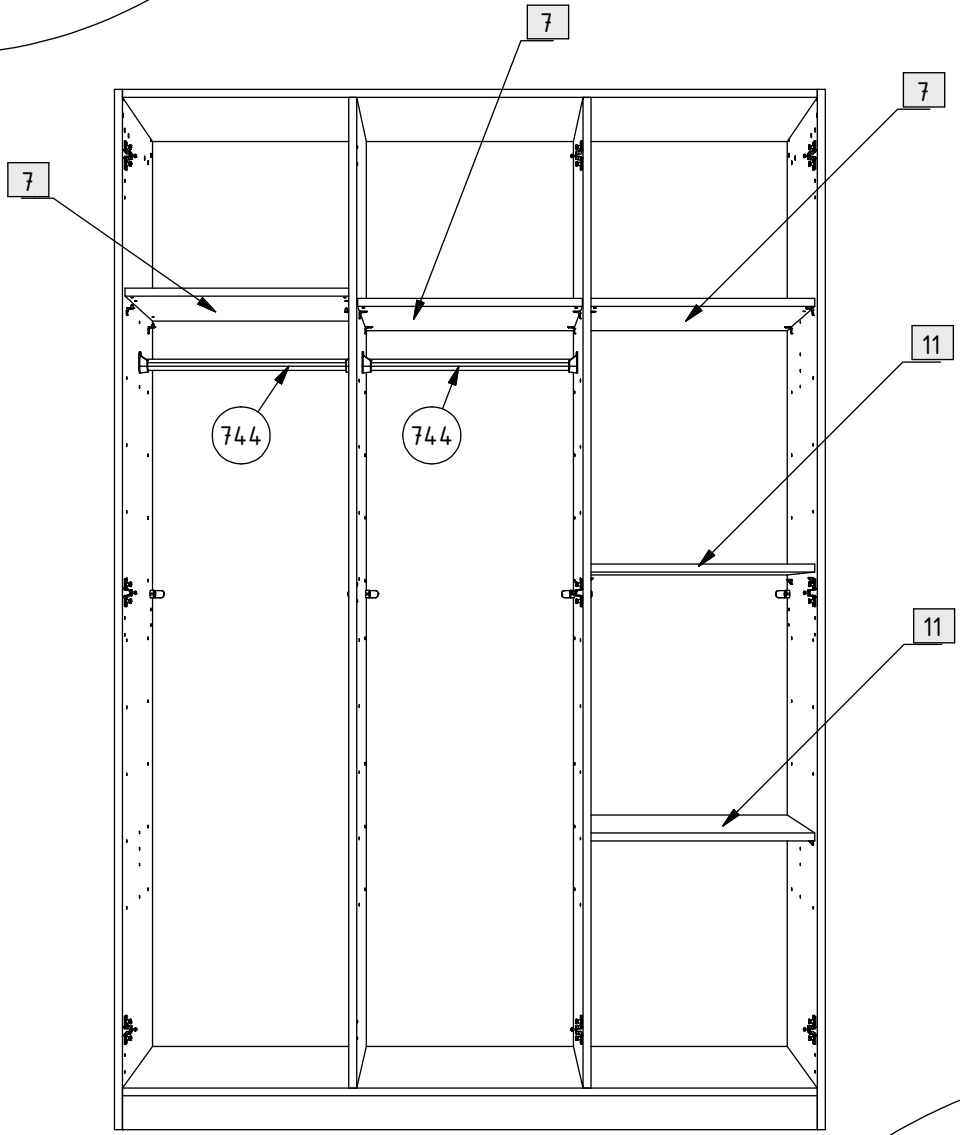
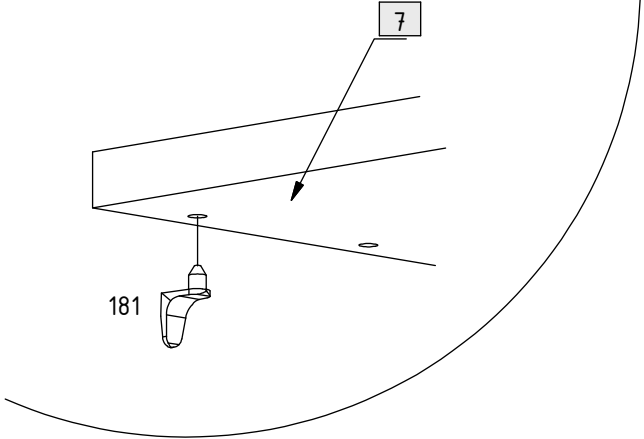




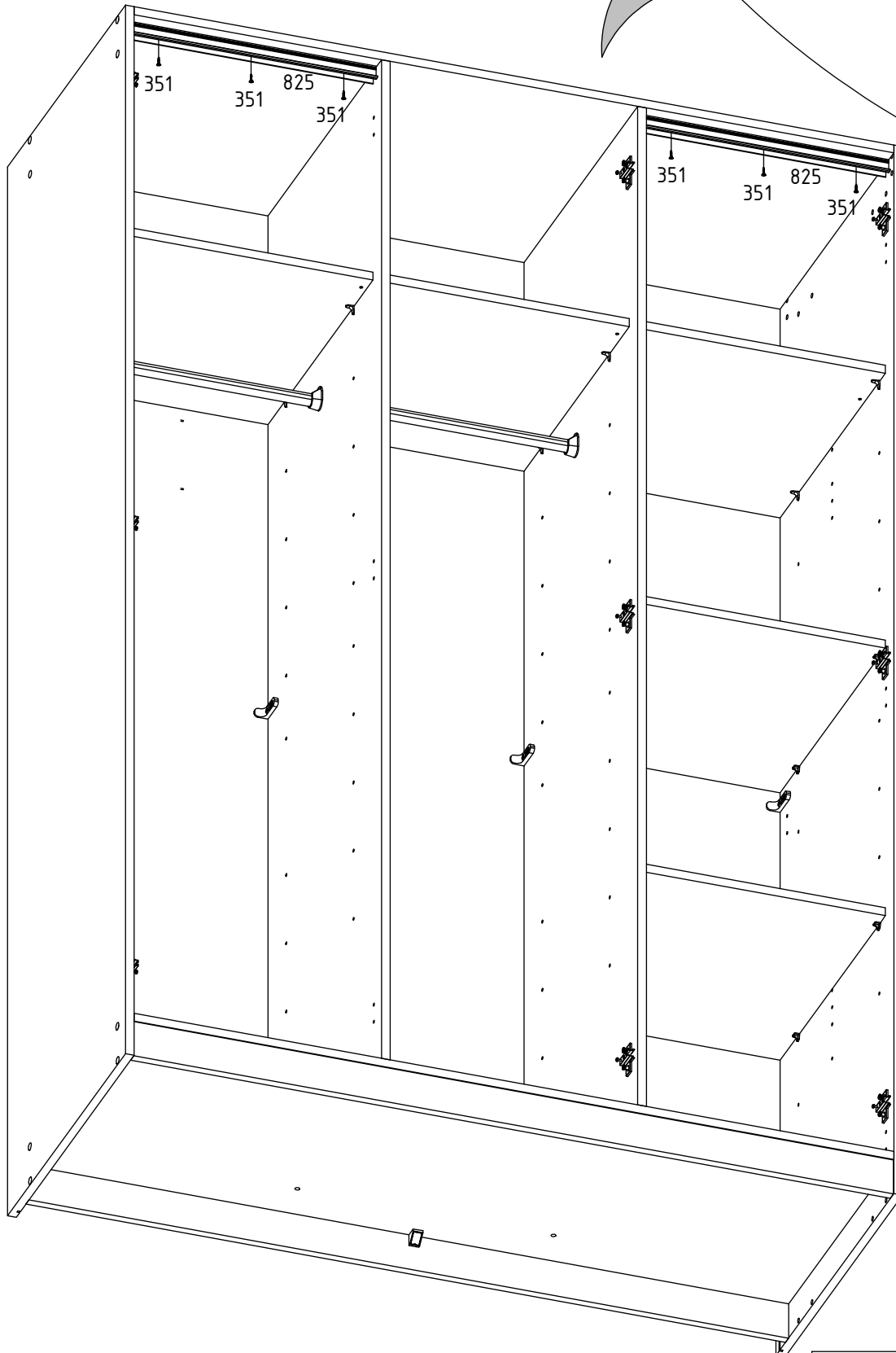
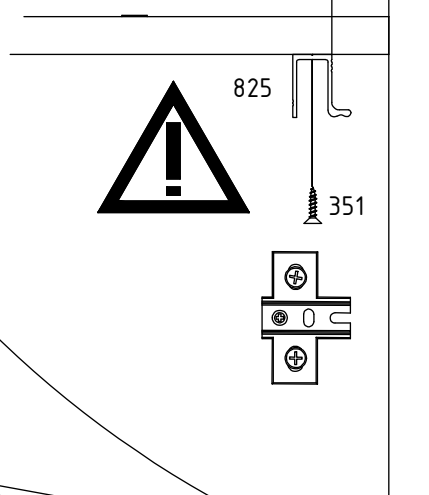


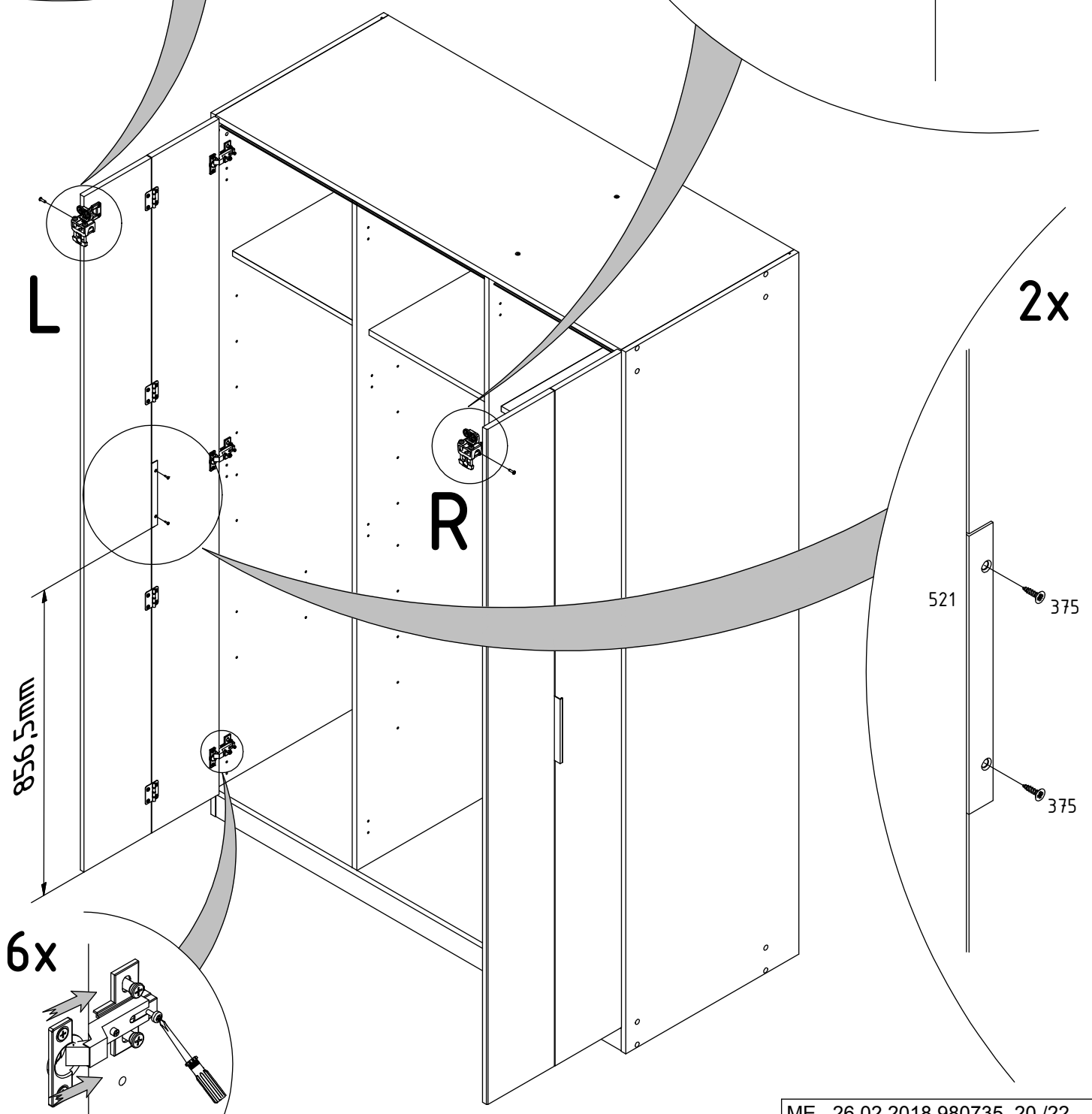
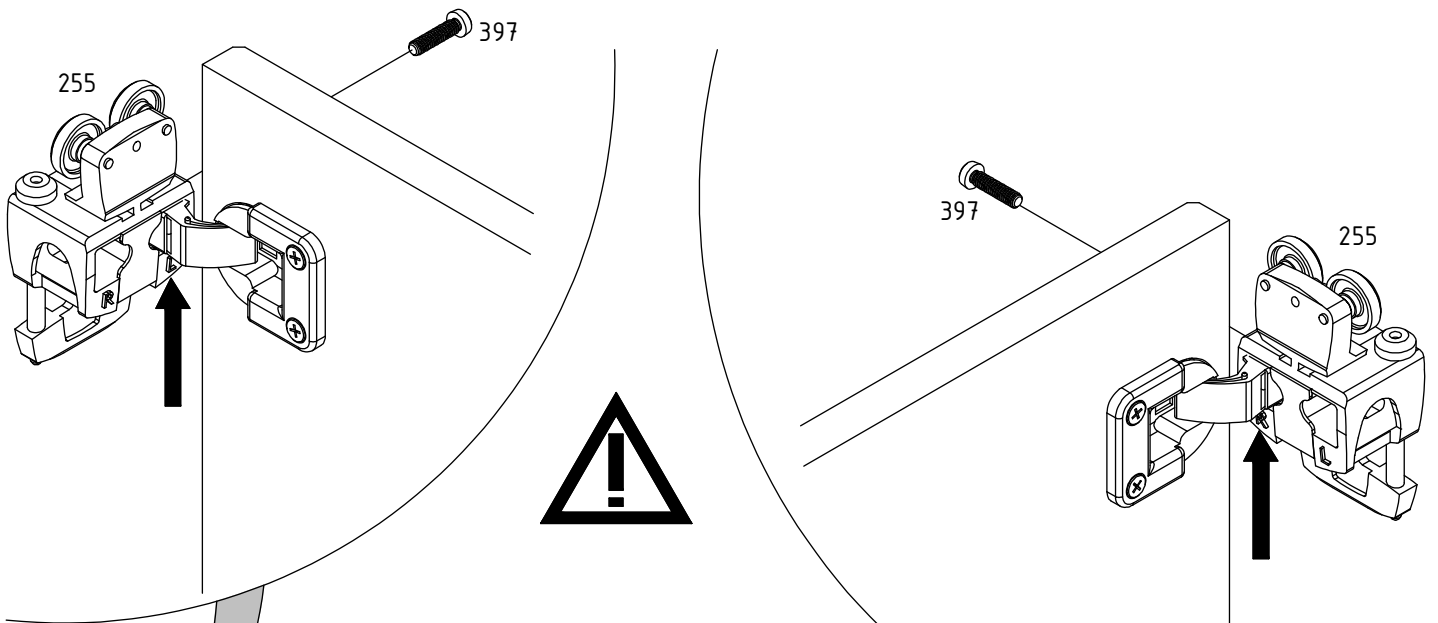
6x

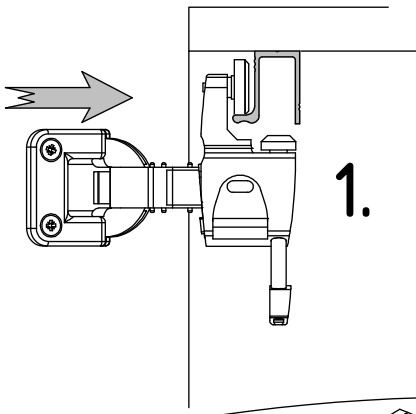




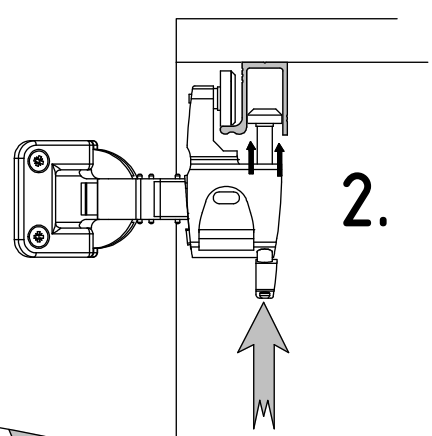
23,7mm



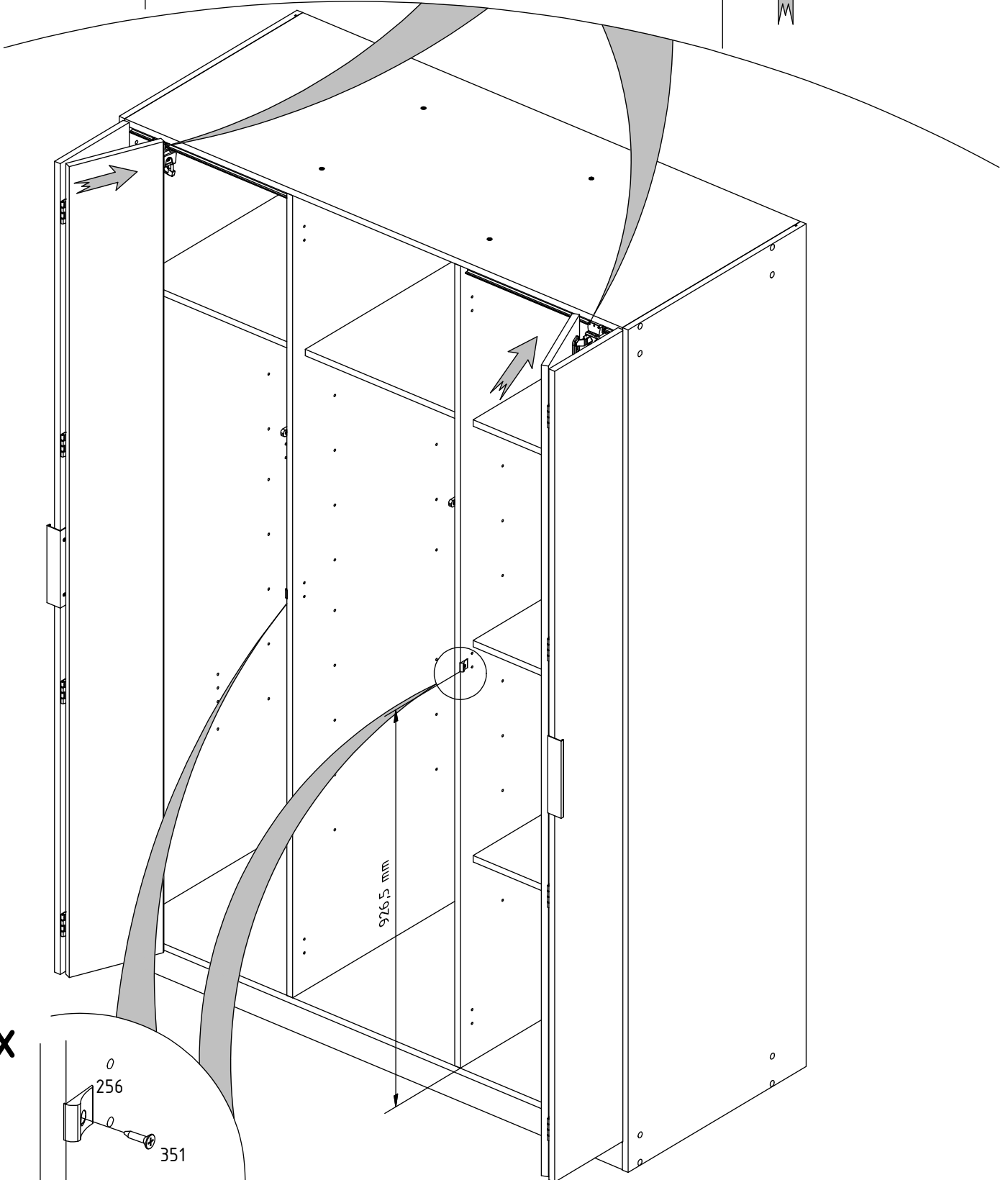




1.

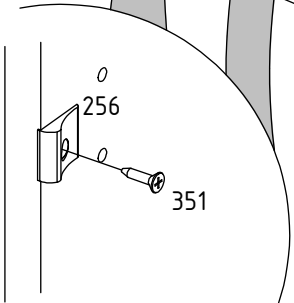


2.



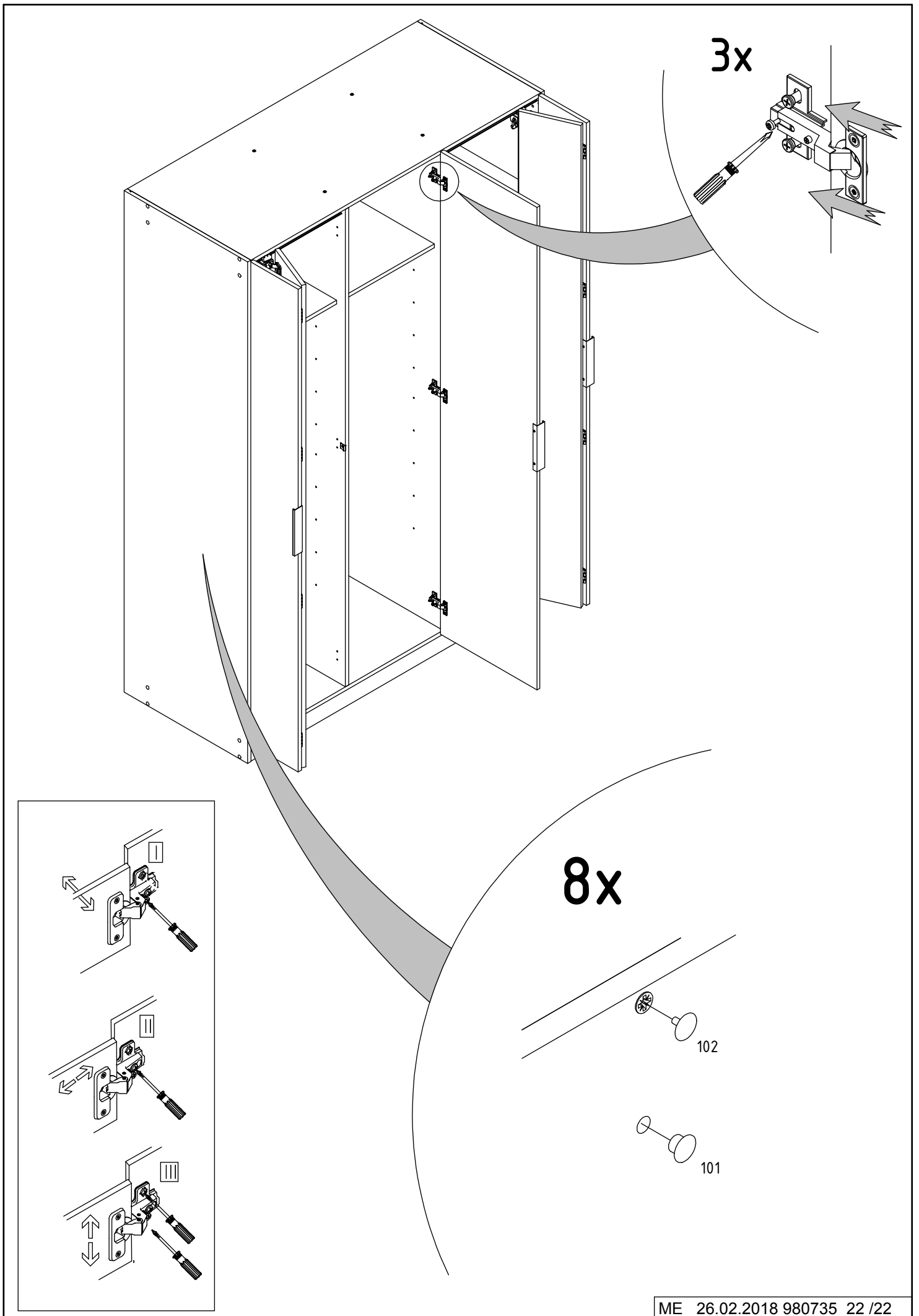
976.5 mm

2x



256

351



3x

8x

102

101