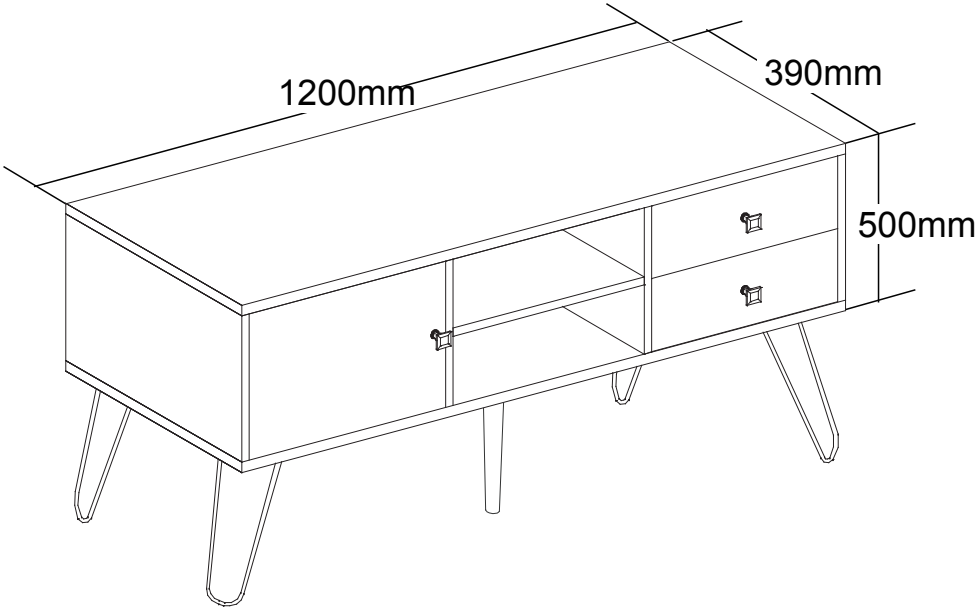
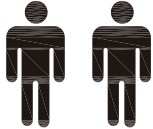

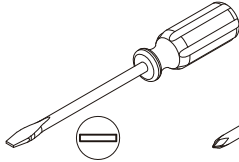
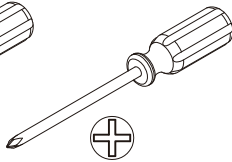
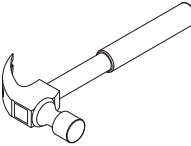
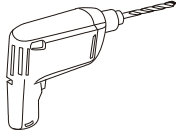
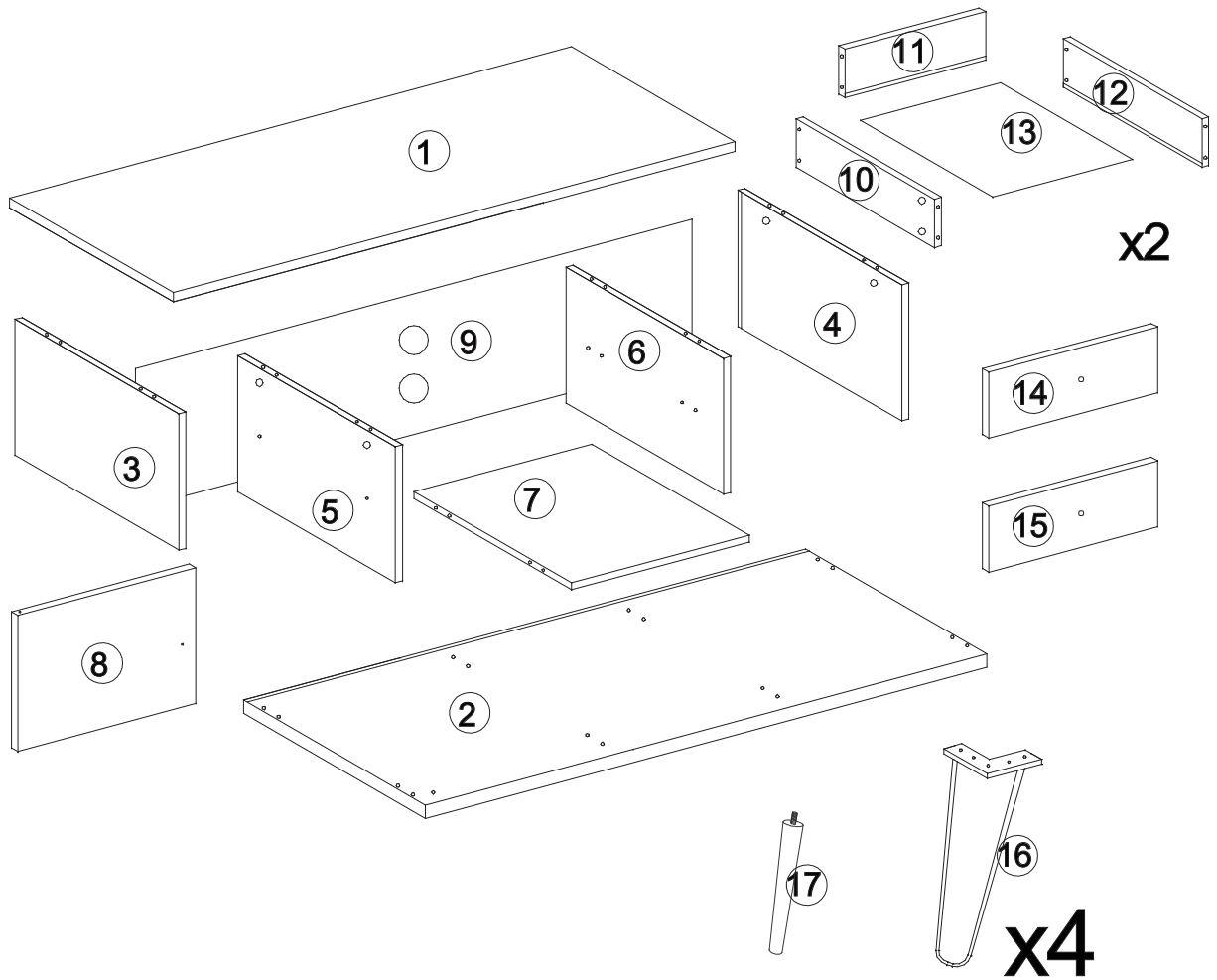


# 29630031/05

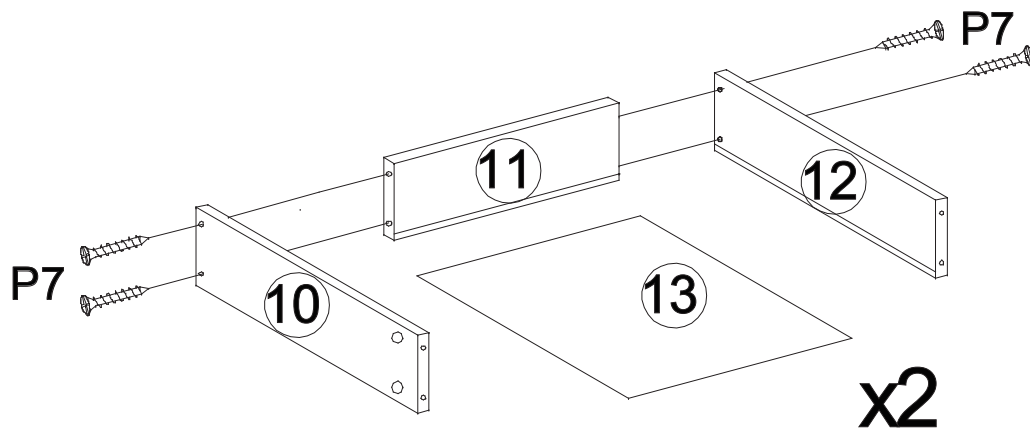



|  |   |   |  |   |   |
|--|---|---|--|---|---|
| <br>2 PERS. | <br>60 MIN |  |  |  |  |
|--|---|---|--|---|---|



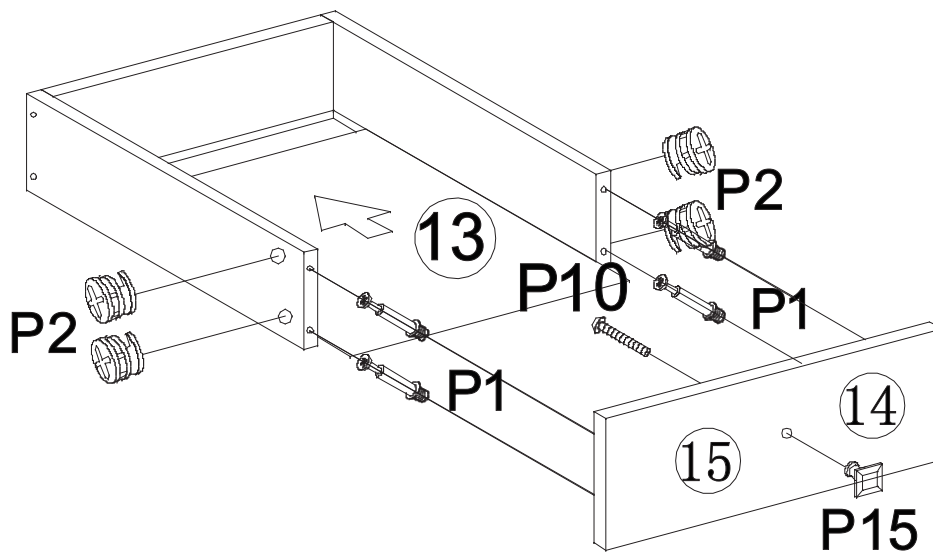
|         |      |     |      |         |      |         |      |           |      |             |     |
|---------|------|-----|------|---------|------|---------|------|-----------|------|-------------|-----|
| P1      | x 16 | P2  | x 16 | P3      | x 12 | P4      | x 20 | P5        | x 24 | P6          | x 2 |
|         |      |     |      |         |      |         |      |           |      |             |     |
|         |      |     |      | φ5x40mm |      | φ8x30mm |      | φ3.5x12mm |      | CL DL DR CR |     |
| P7      | x 8  | P8  | x 2  | P9      | x 2  | P10     | x 3  | P11       | x 20 | P12         | x 1 |
|         |      |     |      |         |      |         |      |           |      |             |     |
| φ4x35mm |      |     |      | φ3x10mm |      | φ4x20mm |      | φ6x14mm   |      |             |     |
| P13     | x 10 | P14 | x 1  | P15     | x 3  | P16     | x 12 | P17       | x 1  | P18         | x 1 |
|         |      |     |      |         |      |         |      |           |      |             |     |
|         |      |     |      |         |      | φ3x14mm |      |           |      |             |     |

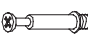
1





|  |     |
|--|-----|
| P7   | x 8 |
|  |     |
| $\phi 4 \times 35 \text{mm}$   |     |


2



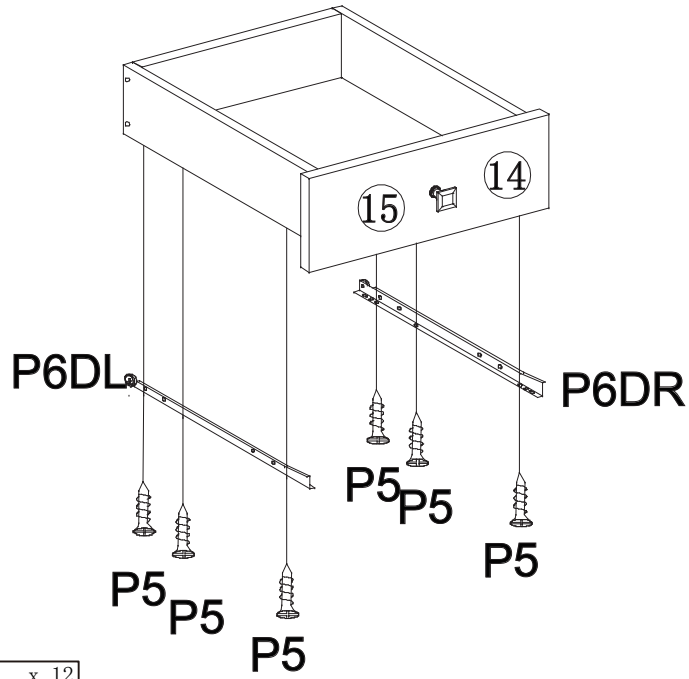
|   |     |
|---|-----|
| P1  | x 8 |
|  |     |


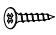
|   |     |
|---|-----|
| P2  | x 8 |
|  |     |

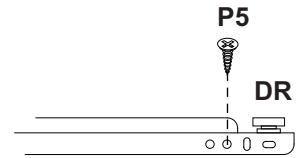
|   |     |
|---|-----|
| P10   | x 2 |
|  |     |
| $\phi 4 \times 20 \text{mm}$  |     |

|   |     |
|---|-----|
| P15   | x 2 |
|  |     |

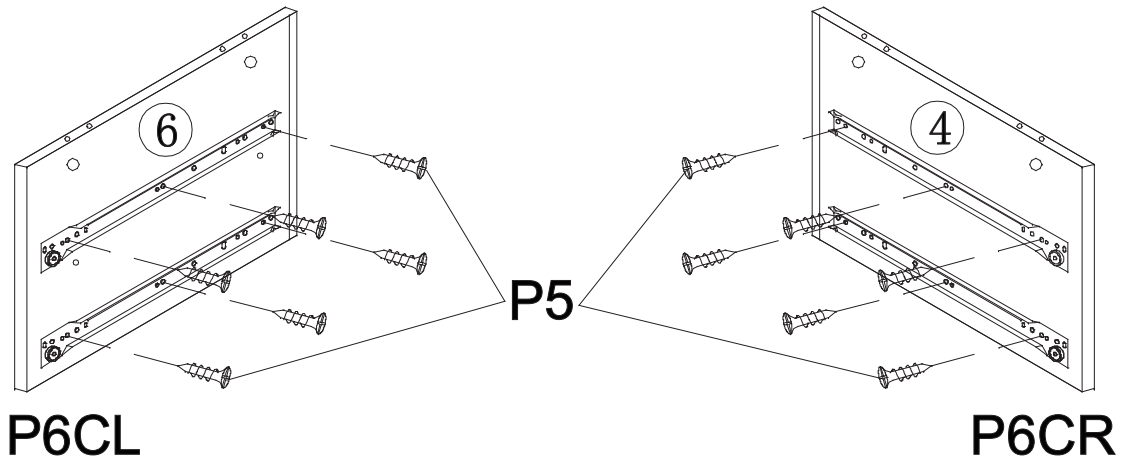
3


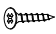


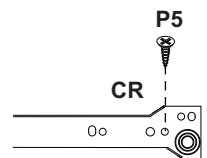
|   |     |   |      |
|---|-----|---|------|
| P6  | x 2 | P5  | x 12 |
| <br>DL DR |     | <br>φ3.5x12mm |      |



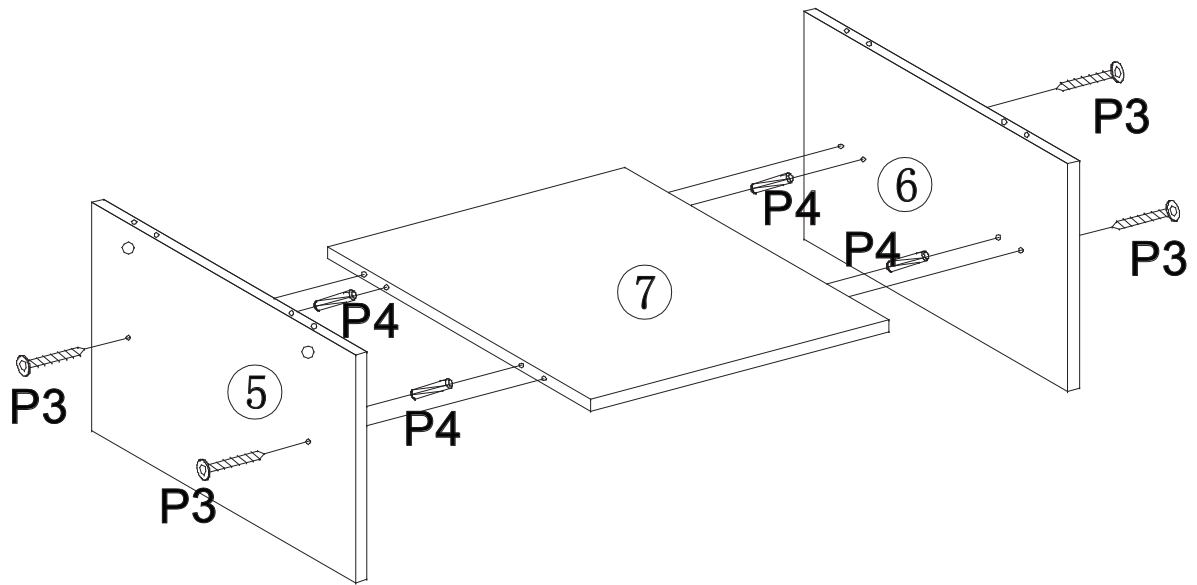
4

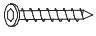



|  |     |  |      |
|--|-----|--|------|
| P6   | x 2 | P5   | x 12 |
| <br>CL CR |     | <br>φ3.5x12mm |      |



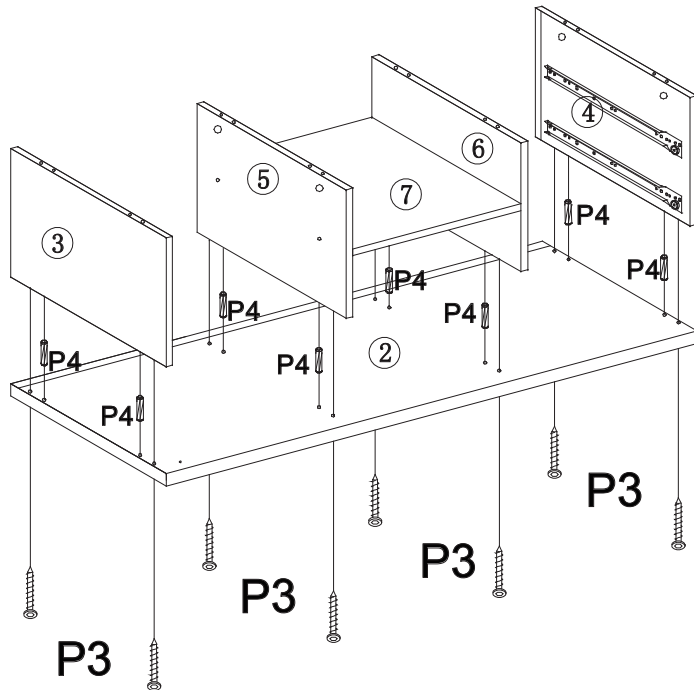
5

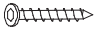



|  |     |
|--|-----|
| P3   | x 4 |
|  |     |
| φ5x40mm  |     |

|  |     |
|--|-----|
| P4   | x 4 |
|  |     |
| φ8x30mm  |     |

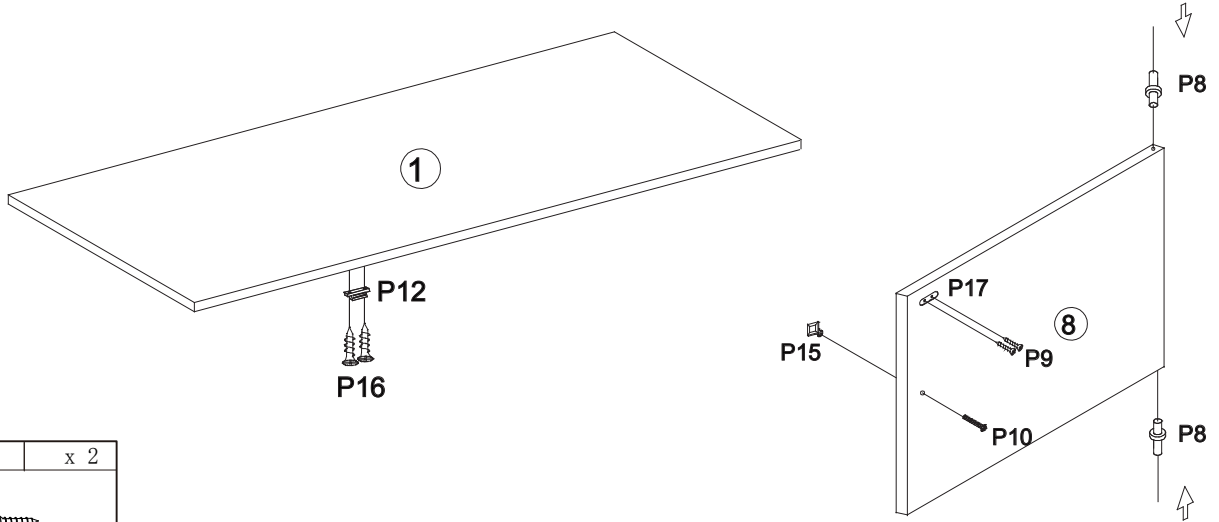
6



|   |     |
|---|-----|
| P3  | x 8 |
|  |     |
| φ5x40mm   |     |

|   |     |
|---|-----|
| P4  | x 8 |
|  |     |
| φ8x30mm   |     |

7



|         |     |
|---------|-----|
| P16     | x 2 |
|         |     |
| φ3x14mm |     |

|    |     |
|----|-----|
| P8 | x 2 |
|    |     |

|         |     |
|---------|-----|
| P9      | x 2 |
|         |     |
| φ3x10mm |     |

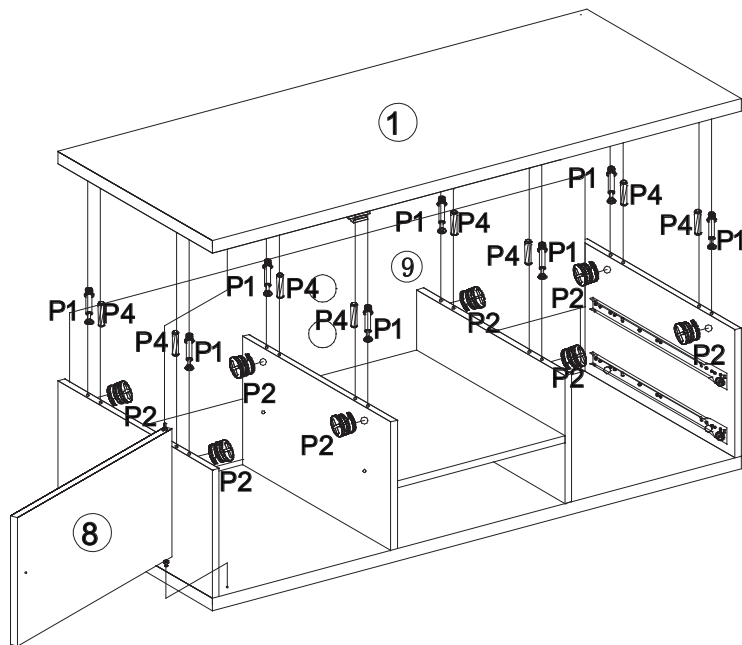
|         |     |
|---------|-----|
| P10     | x 1 |
|         |     |
| φ4x20mm |     |

|     |     |
|-----|-----|
| P12 | x 1 |
|     |     |

|     |     |
|-----|-----|
| P15 | x 1 |
|     |     |

|     |     |
|-----|-----|
| P17 | x 1 |
|     |     |

8

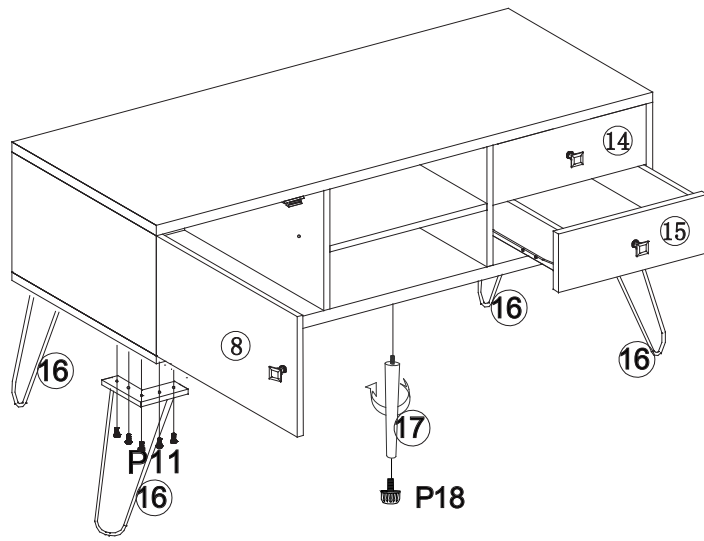


|    |     |
|----|-----|
| P1 | x 8 |
|    |     |

|    |     |
|----|-----|
| P2 | x 8 |
|    |     |

|         |     |
|---------|-----|
| P13     | x 8 |
|         |     |
| φ8x30mm |     |

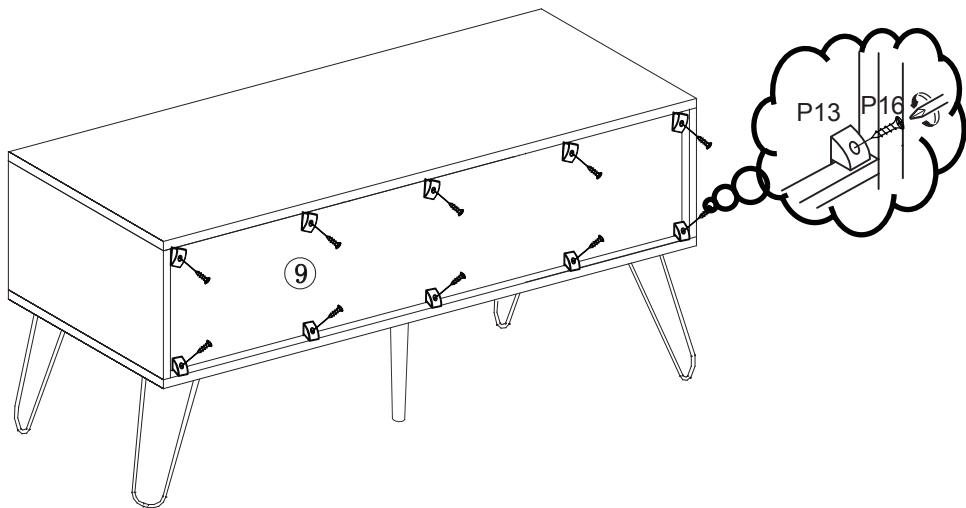
9



|         |      |
|---------|------|
| P11     | x 20 |
|         |      |
| φ6x14mm |      |

|     |     |
|-----|-----|
| P18 | x 1 |
|     |     |

10



|     |      |
|-----|------|
| P13 | x 10 |
|     |      |

|         |      |
|---------|------|
| P16     | x 10 |
|         |      |
| φ3x14mm |      |

