

17130150/01

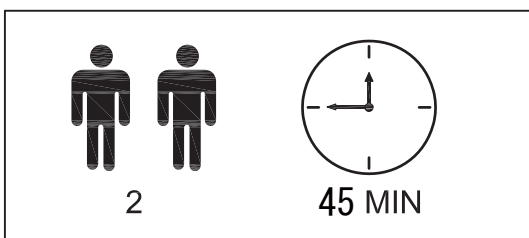
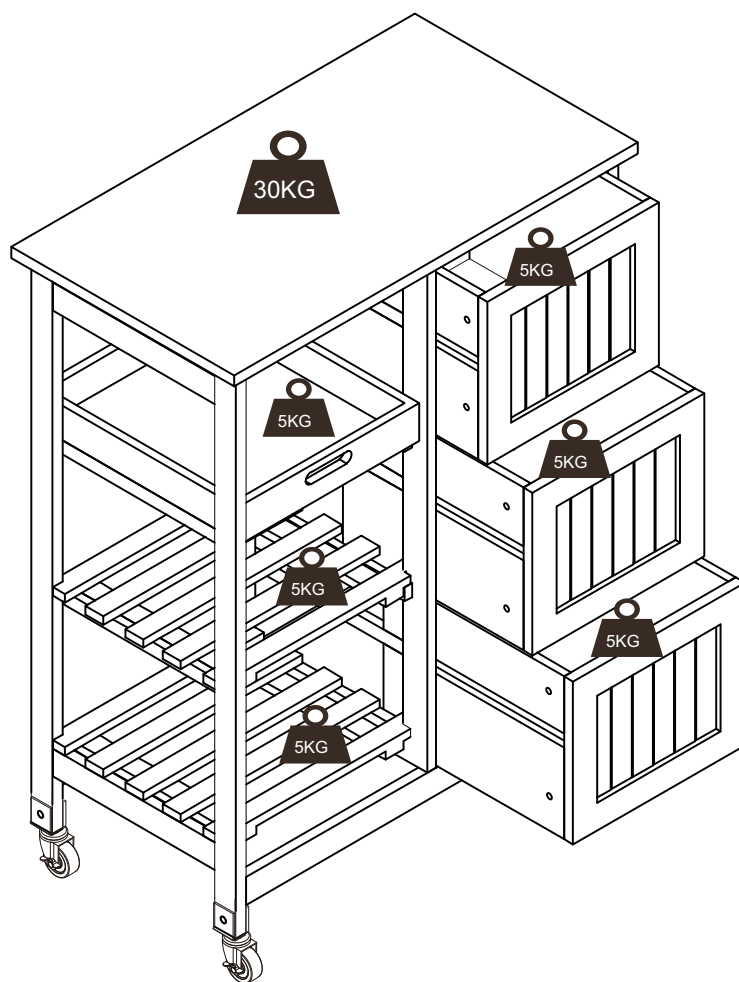
Willow

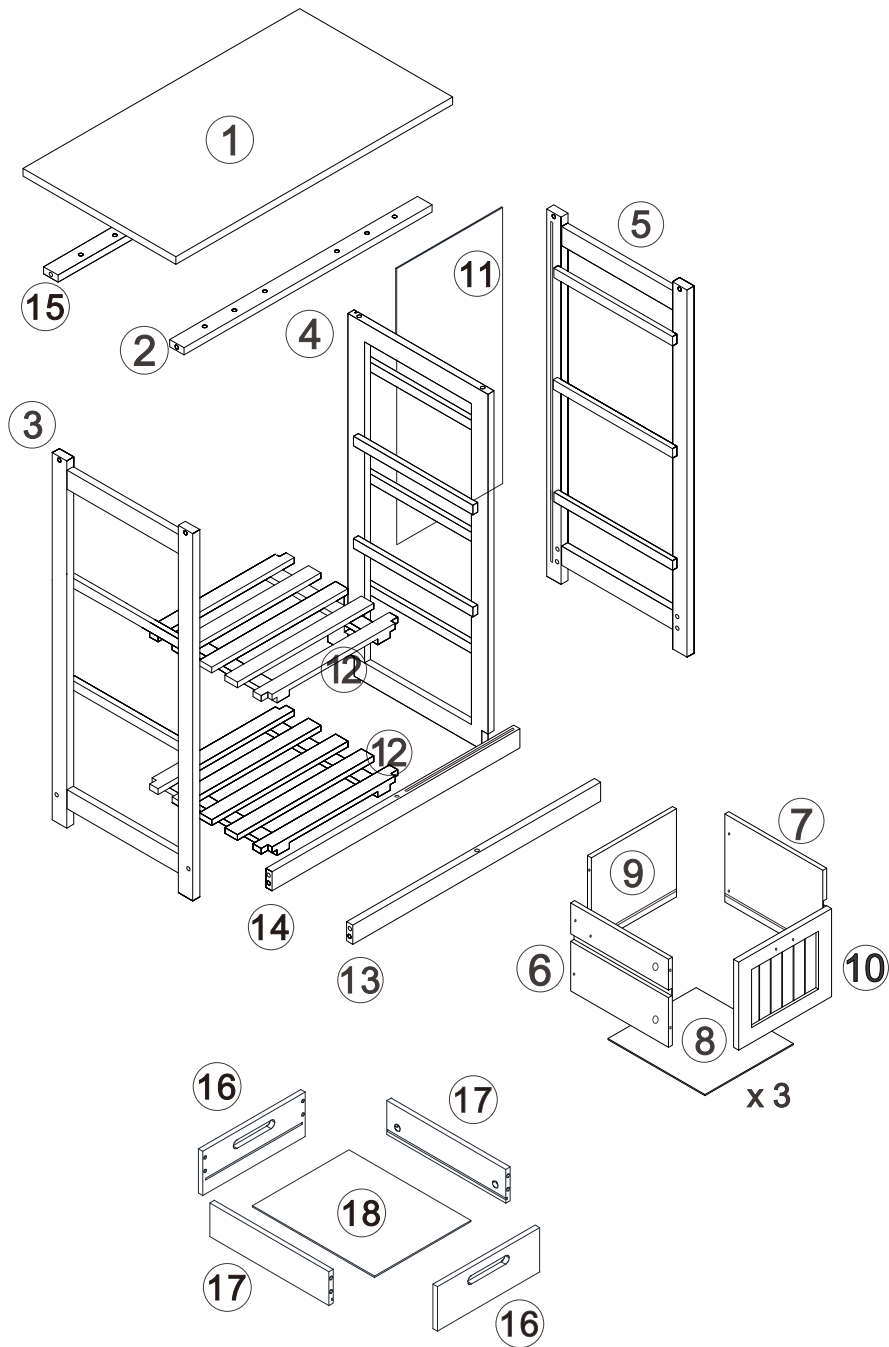
BDSK Handels GmbH & Co. KG









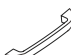








Mergentheimer Straße 59

D-97084 Würzburg

E-Mail: [Info@xxxlutz.at](mailto:Info@xxxlutz.at)

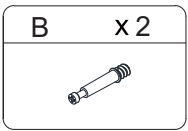
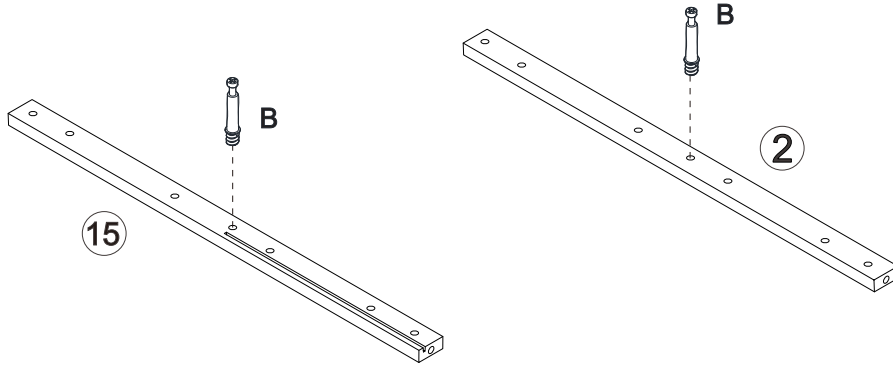




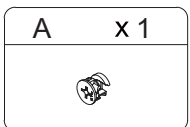
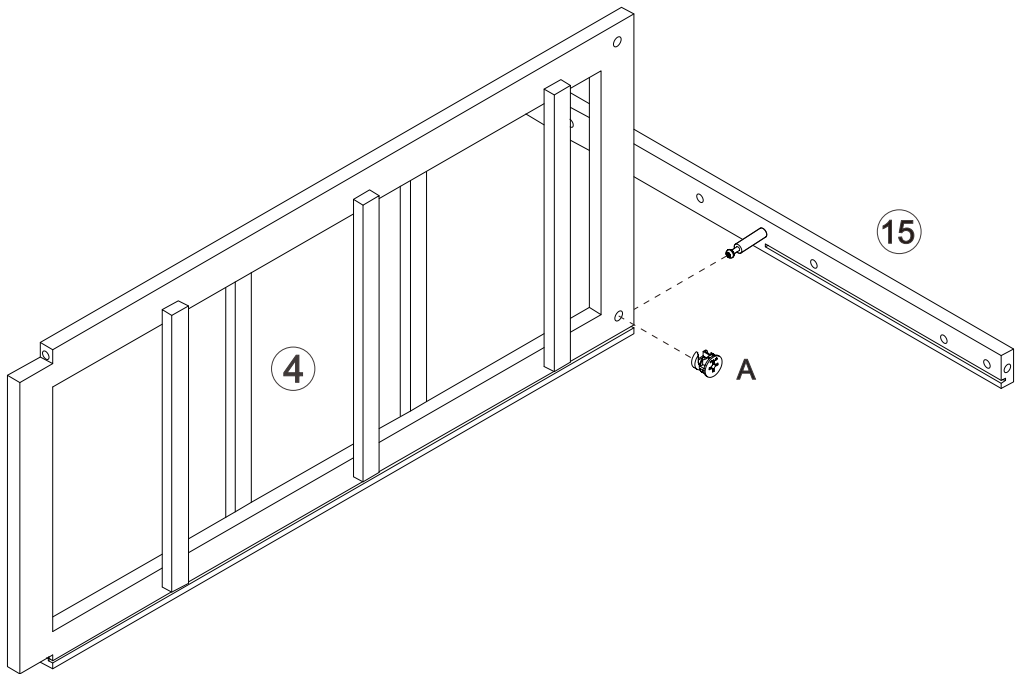
|   |   |  |   |  |  |   |  |
|---|---|--|---|--|--|---|--|
| A x 18<br> | B x 18<br>           | C x 10<br><br>φ6x30mm | D x 8<br><br>M6x45mm | E x 8<br>            | F x 12<br><br>M4x35mm | G x 2<br>            |  |
| H x 2<br>  | I x 3<br>            | J x 6<br><br>M4x16mm  | K x 8<br><br>M4x25mm | L x 4<br><br>M6x30mm | M x 4<br>             | N x 6<br><br>φ5x25mm |  |
| O x 1<br>  | P x 4<br><br>φ5x20mm | Q x 12<br>            |   |  |  |   |  |

0 1 2 3 4 5 6 7 8 9 10 11 12 13 14 15 16 17 18

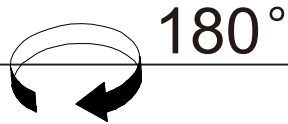
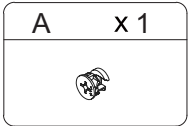
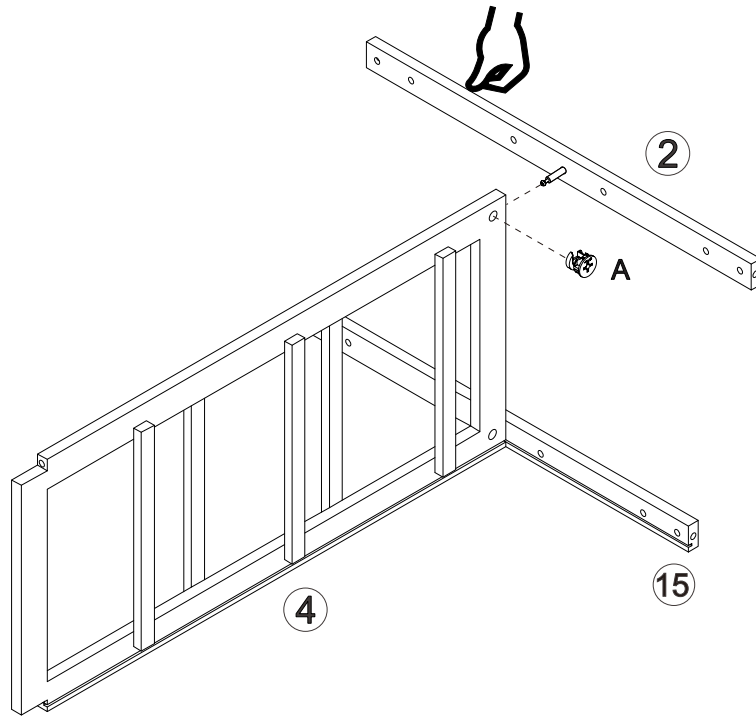
1



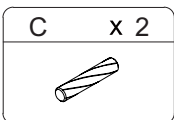
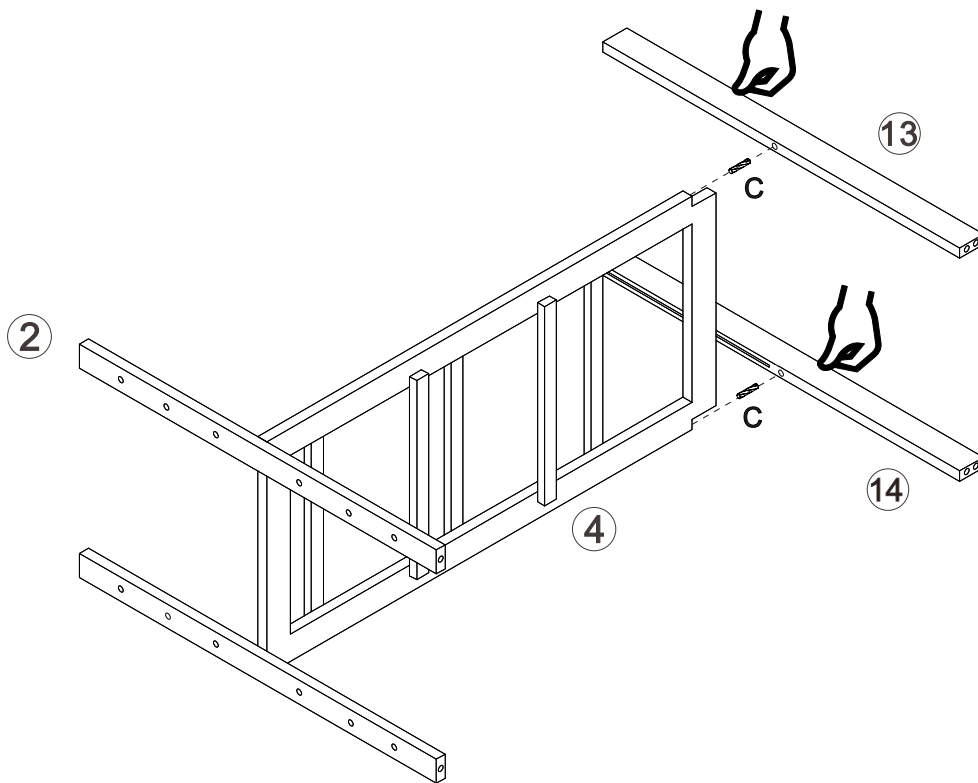
2



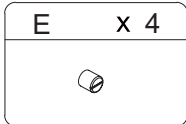
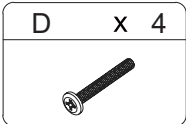
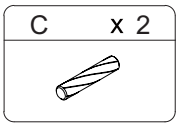
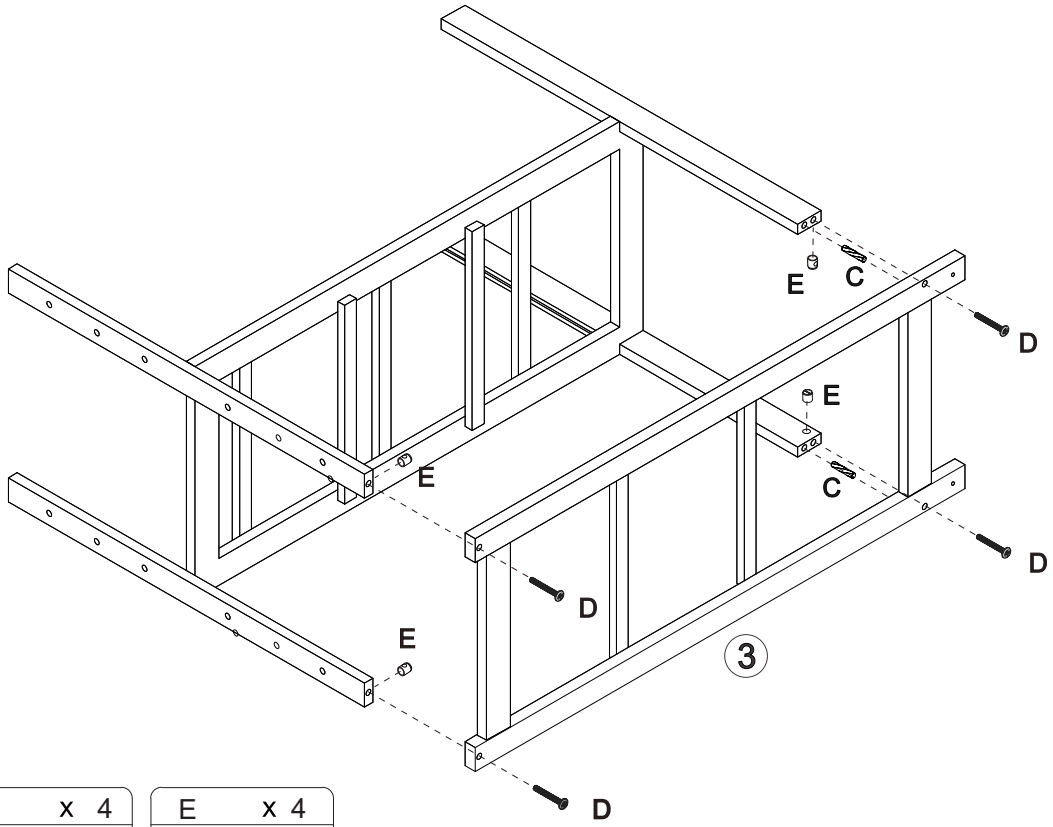
3



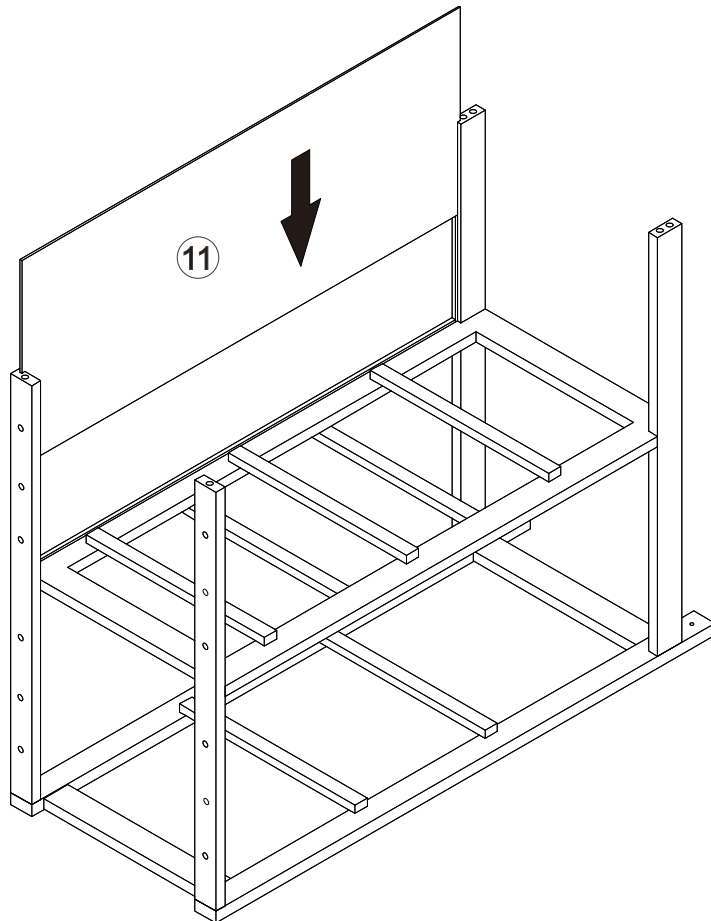
4



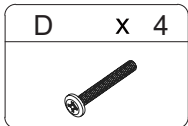
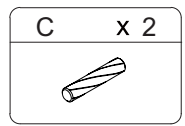
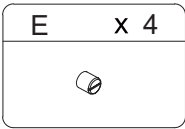
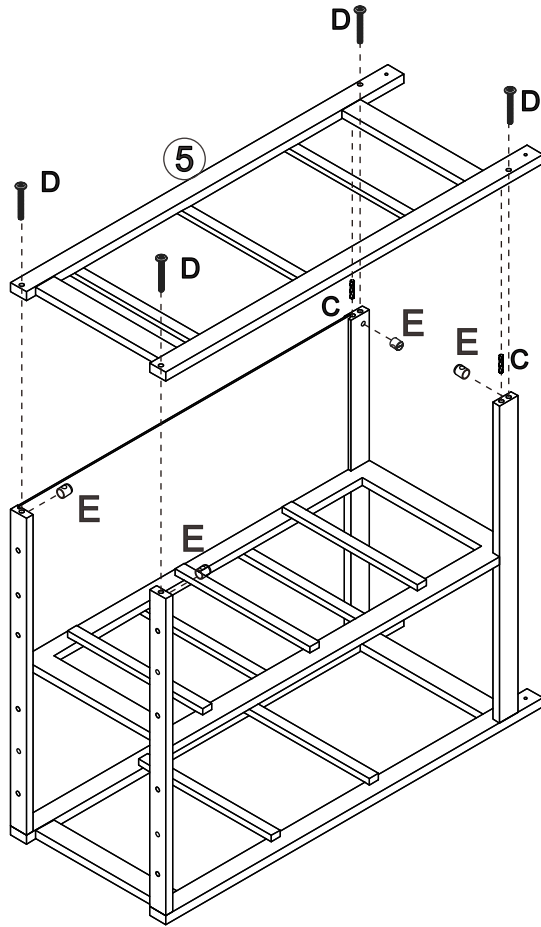
5



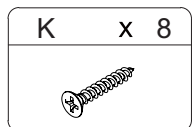
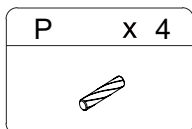
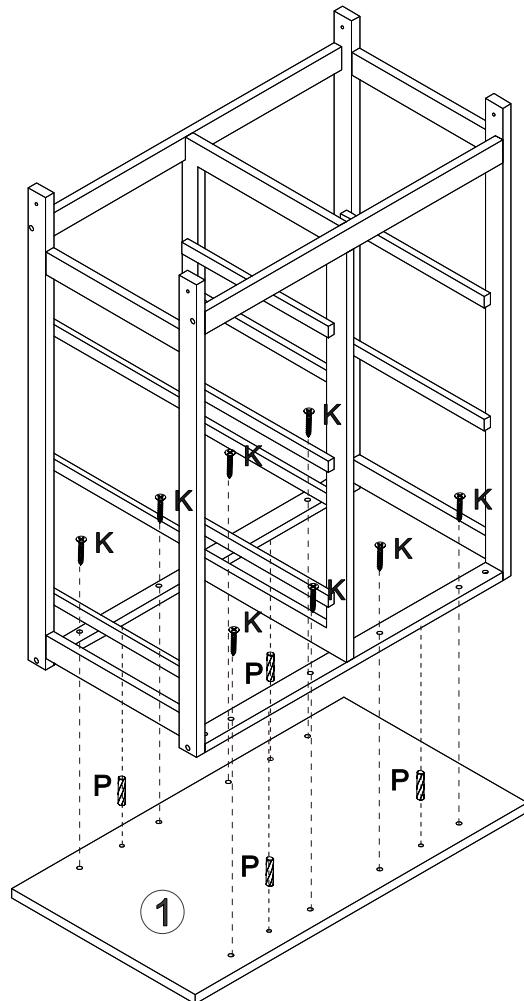
6



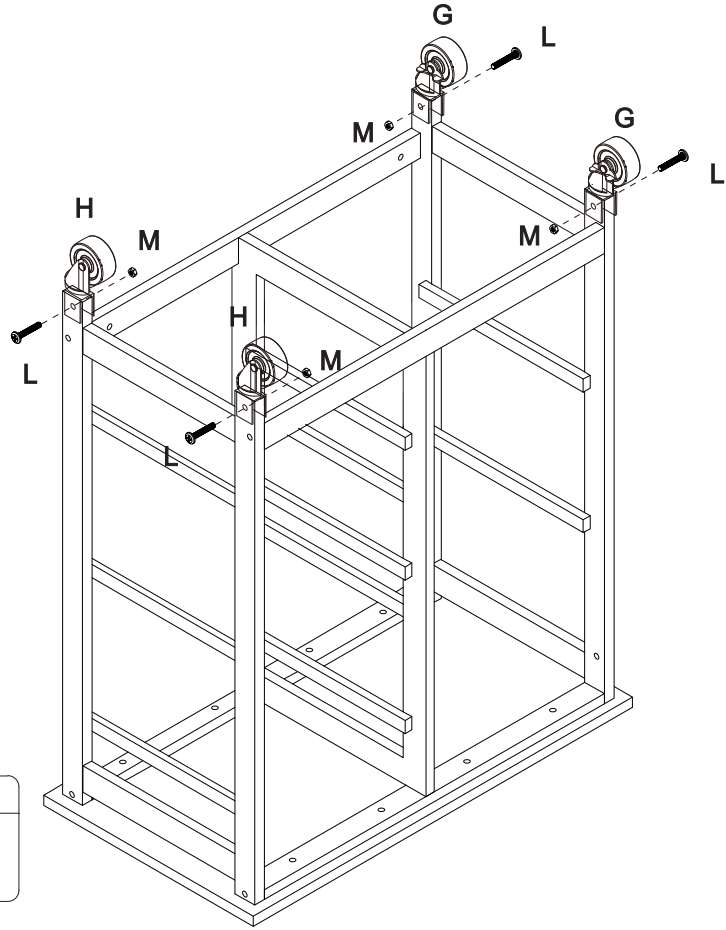
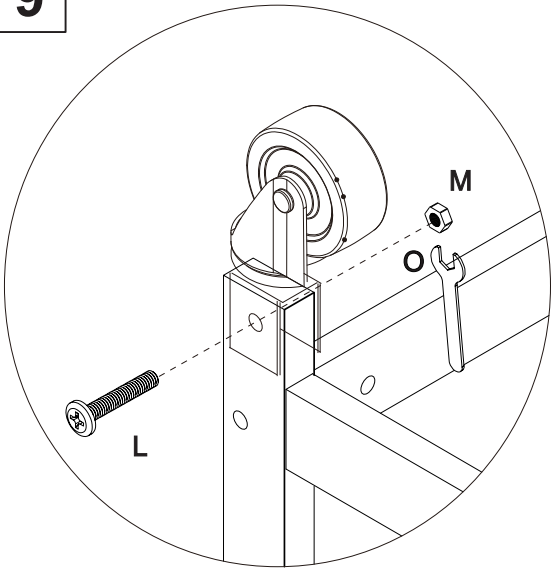
7



8

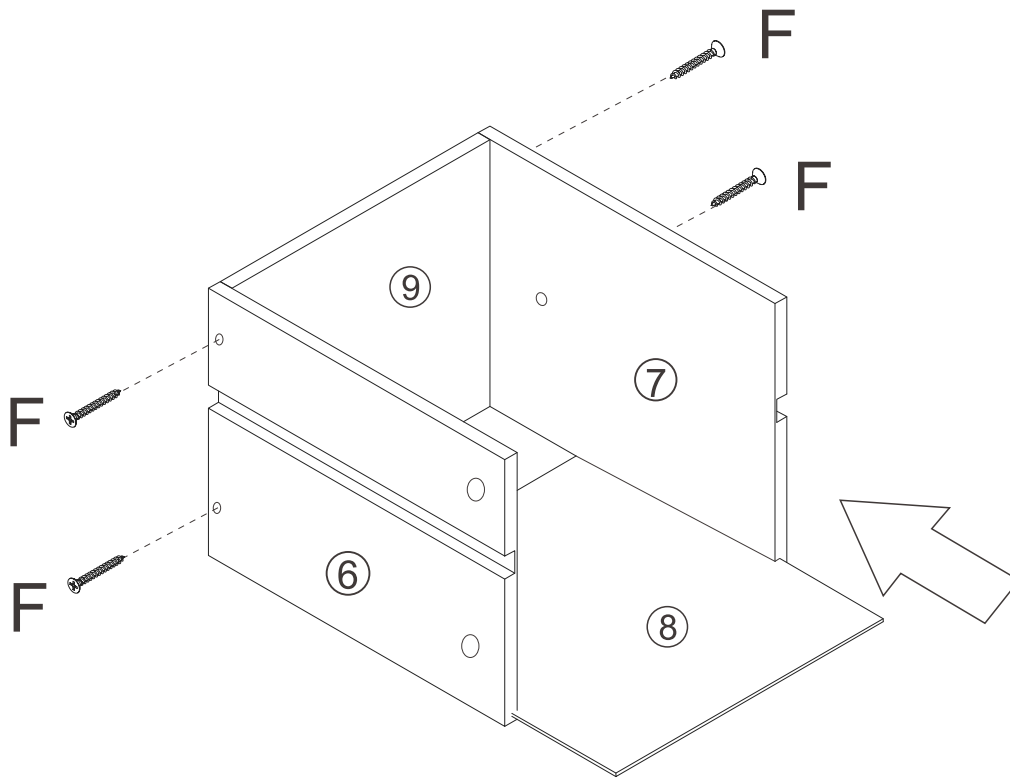


9



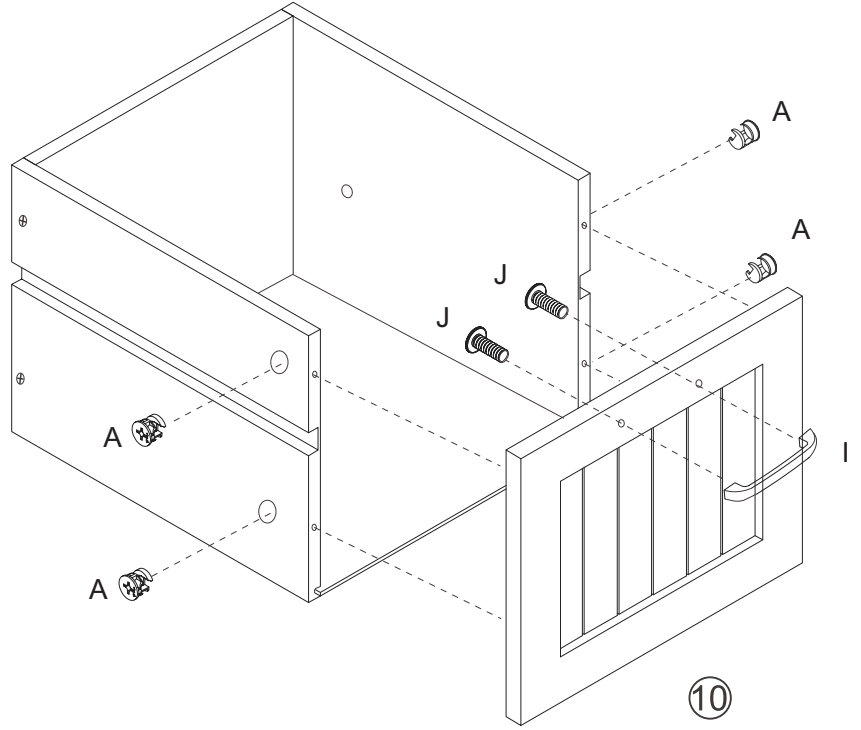
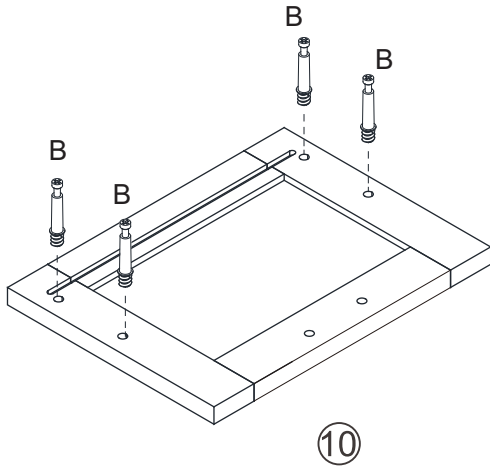
|       |       |       |
|-------|-------|-------|
| G x 2 | H x 2 |       |
|       |       |       |
| L x 4 | M x 4 | O x 1 |
|       |       |       |





10 X3



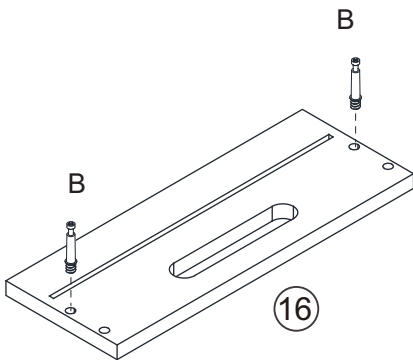
|        |
|--------|
| F x 12 |
|        |

# 11 X3

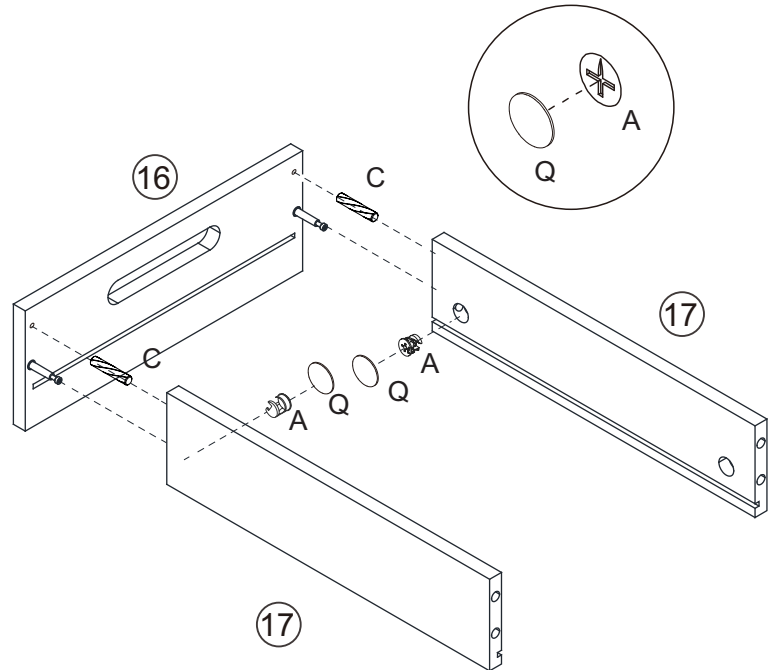






|  |  |  |  |
|--|--|--|--|
| A x 12   | B x 12   | I x 3  | J x 6  |
|  |  |  |  |

# 12



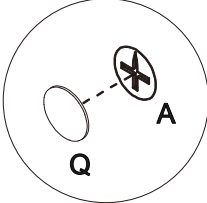
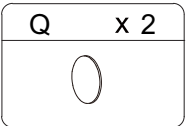
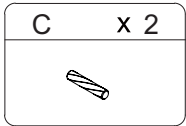
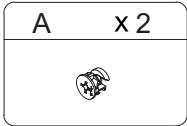
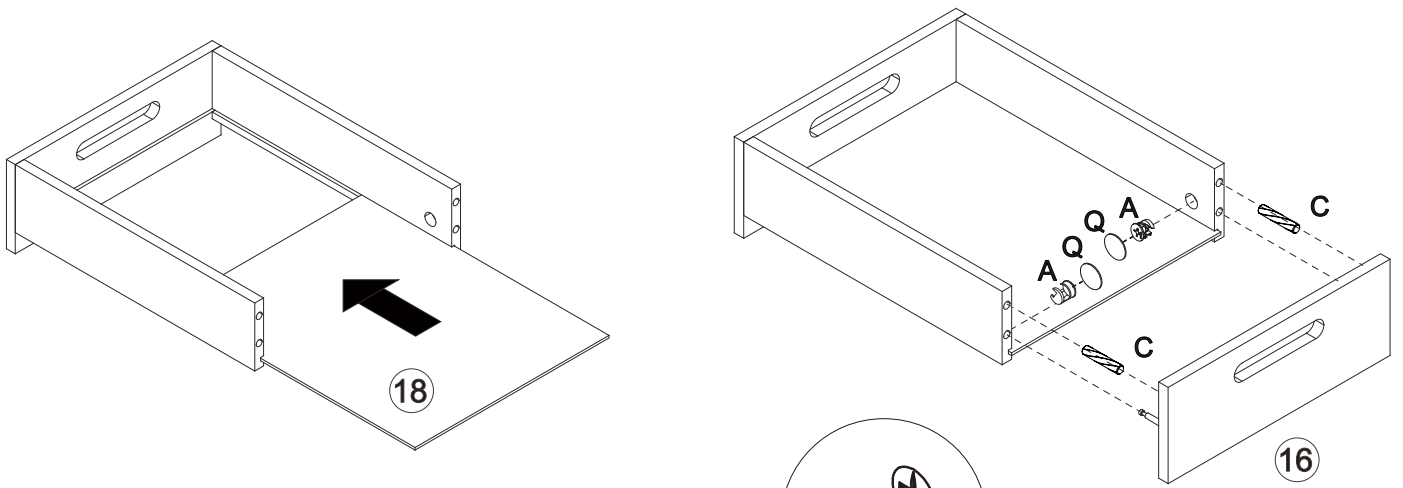
x2



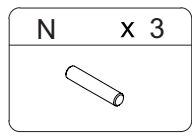
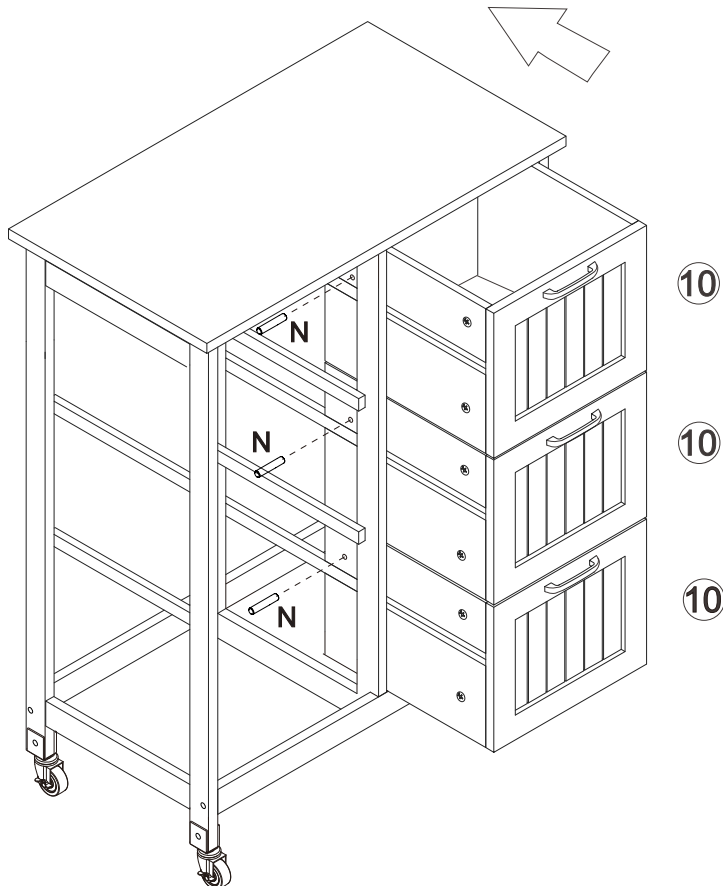
|   |   |   |   |
|---|---|---|---|
| A x 2   | B x 4   | C x 2   | Q x 2   |
|  |  |  |  |



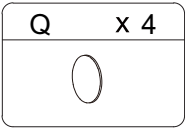
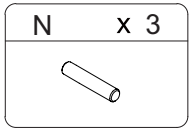
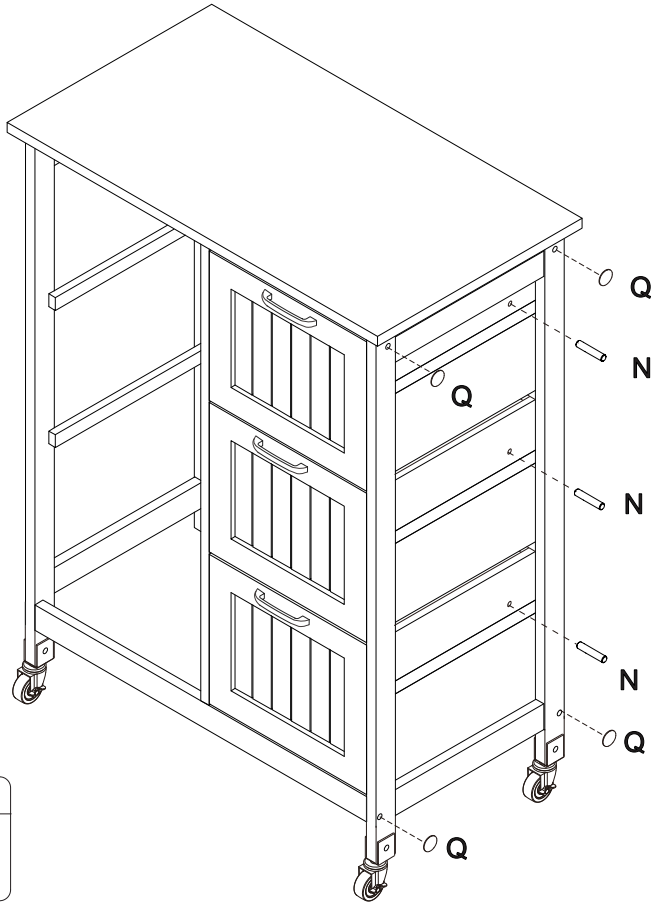
13



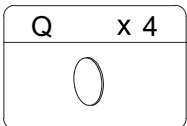
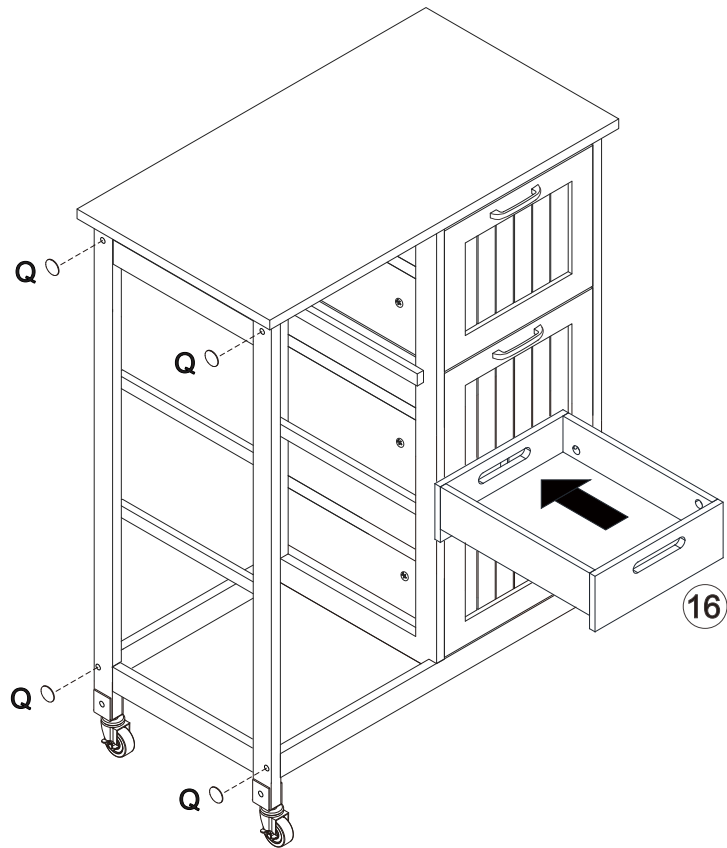
14



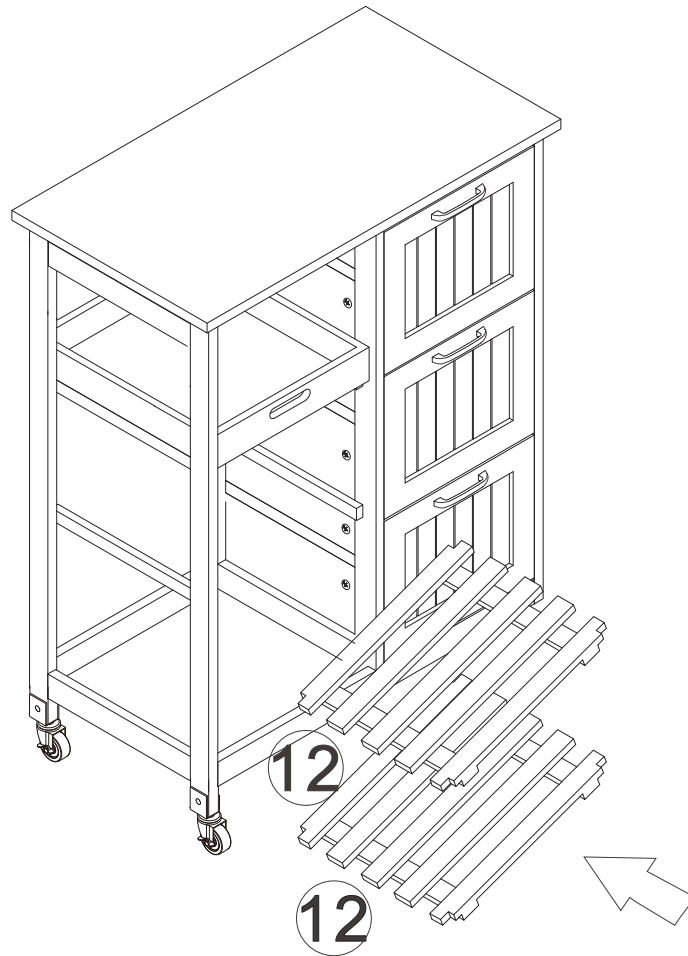
15



16



17



Note : 1.The table top must not come into contact with food.  
2. Locking the castors before use