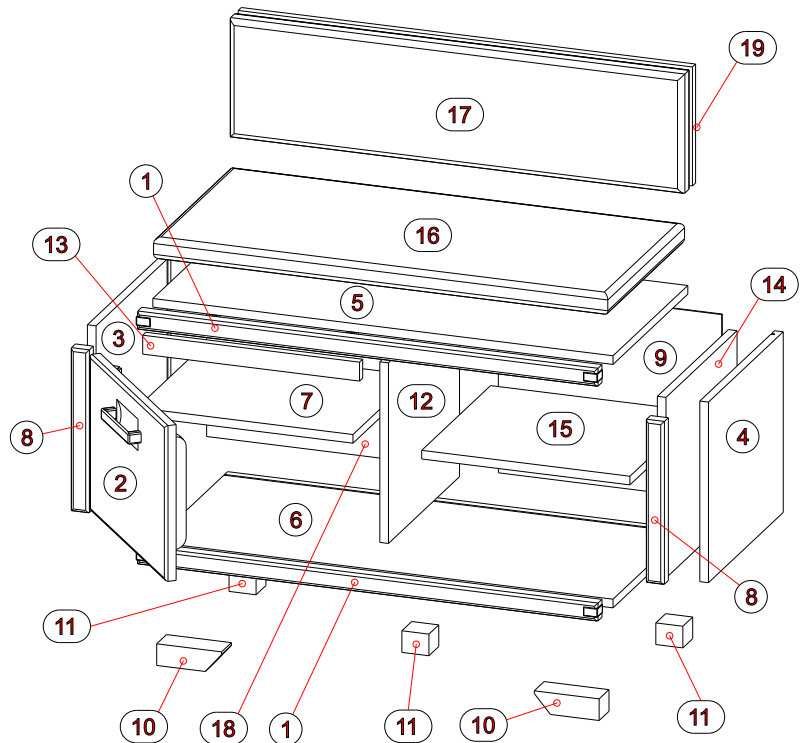
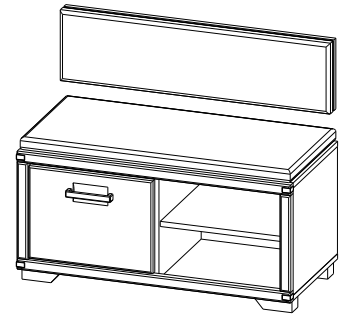
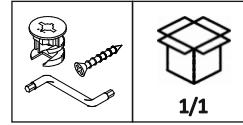
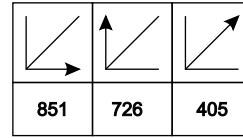


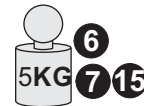
A GENUA

32 15 HH 60

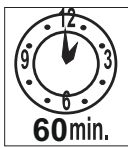
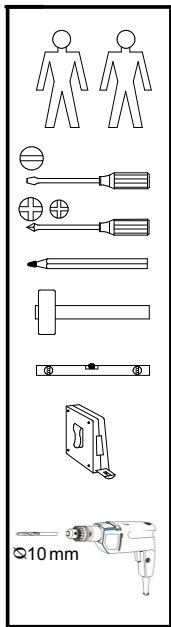
A	C1	C2	C3	D	PCS
1	851	33	25	1/1	2
2	386	288	55	1/1	1
3	334	380	16	1/1	1
4	334	380	16	1/1	1
5	851	380	16	1/1	1
6	851	380	16	1/1	1
7	399	320	16	1/1	1
8	301	33	25	1/1	2
9	413	344	3	1/1	1
10	120	40	50	1/1	2
11	50	40	50	1/1	3
12	361	344	16	1/1	1
13	401	35	16	1/1	1
14	361	334	16	1/1	1
15	385	350	16	1/1	1
16	840	390	40	1/1	1
17	840	220	40	1/1	1
18	413	344	3	1/1	1
19	220	840	16	1/1	1



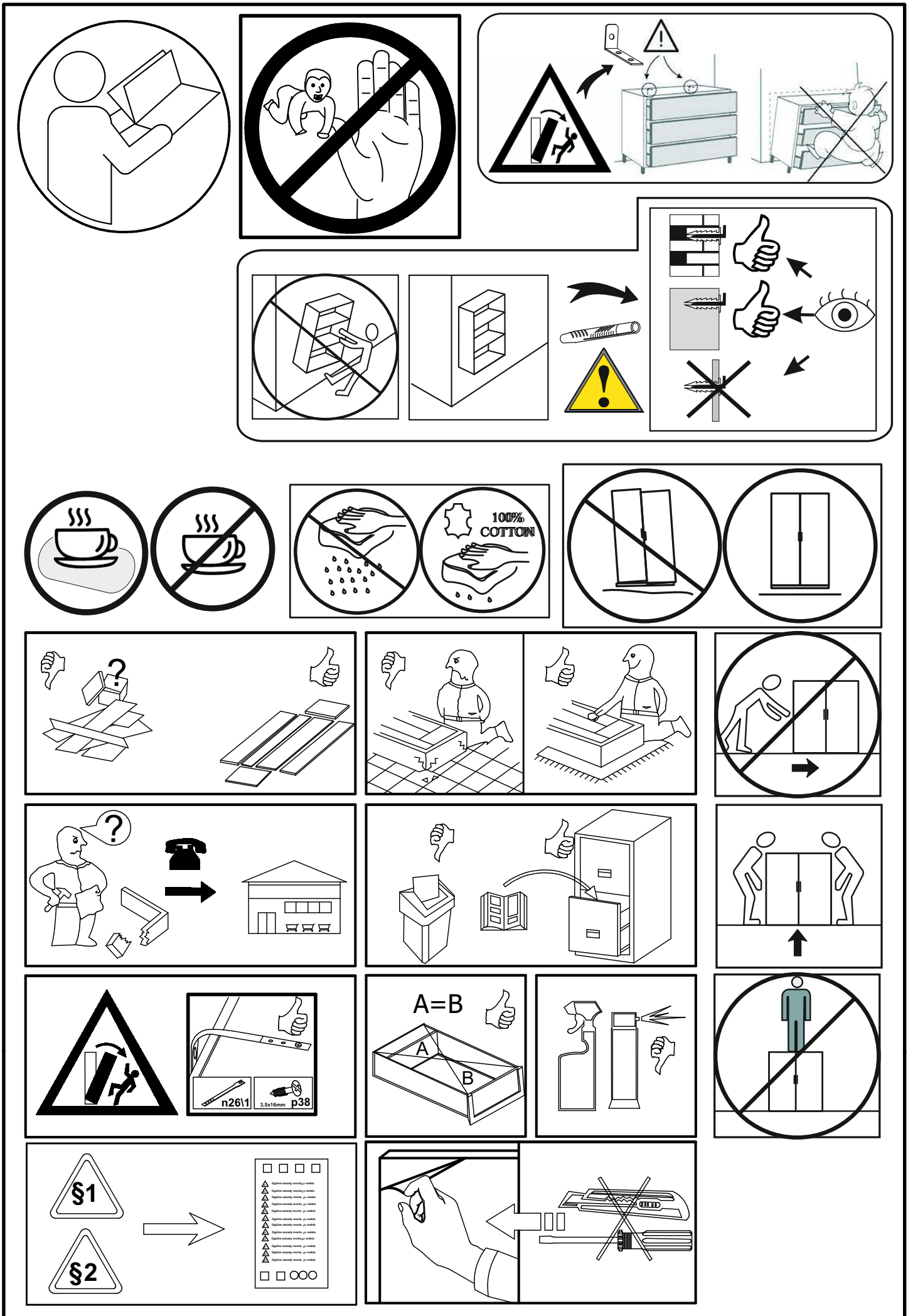
max.



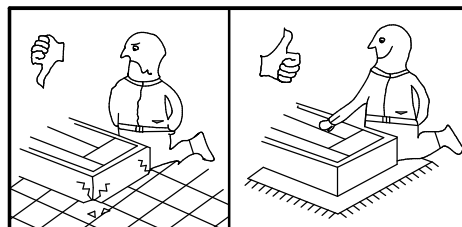
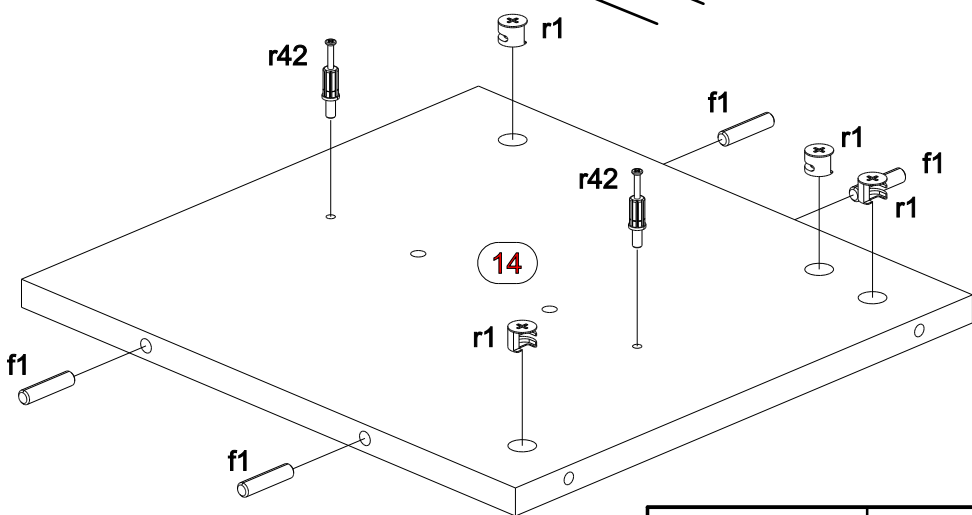
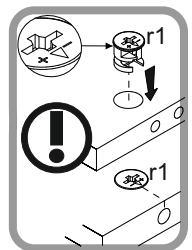
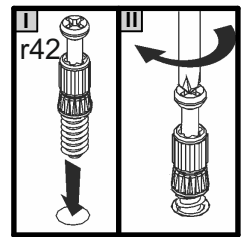
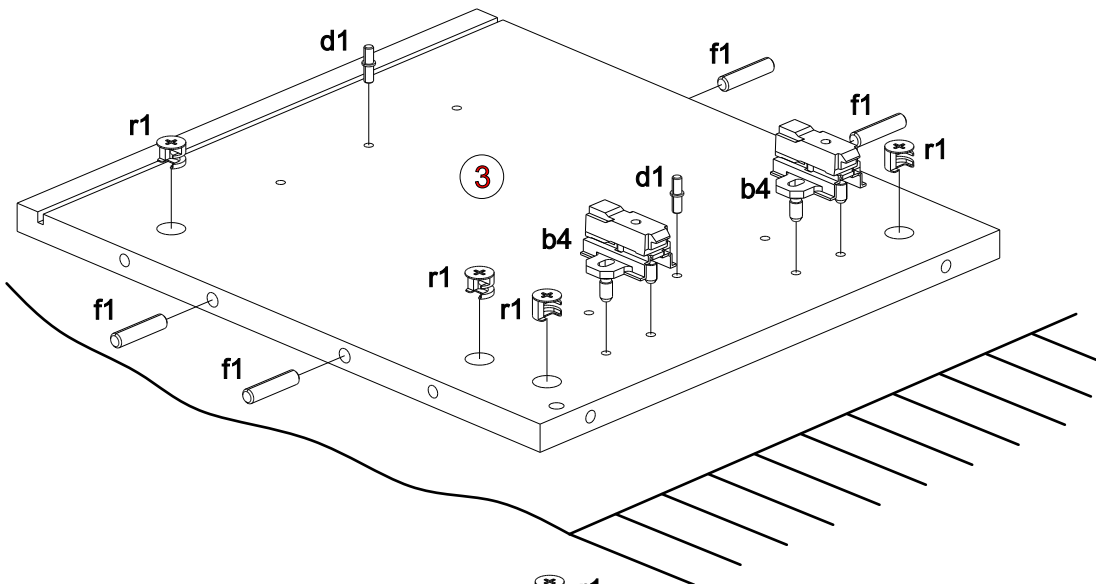
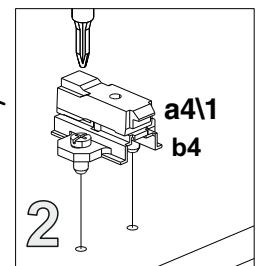
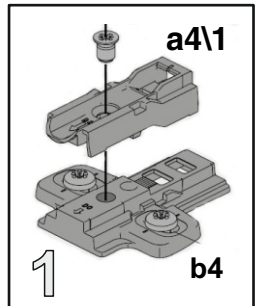
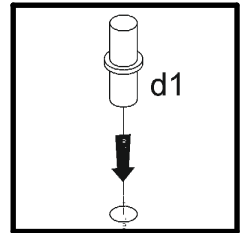
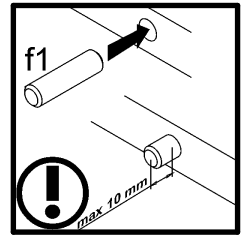
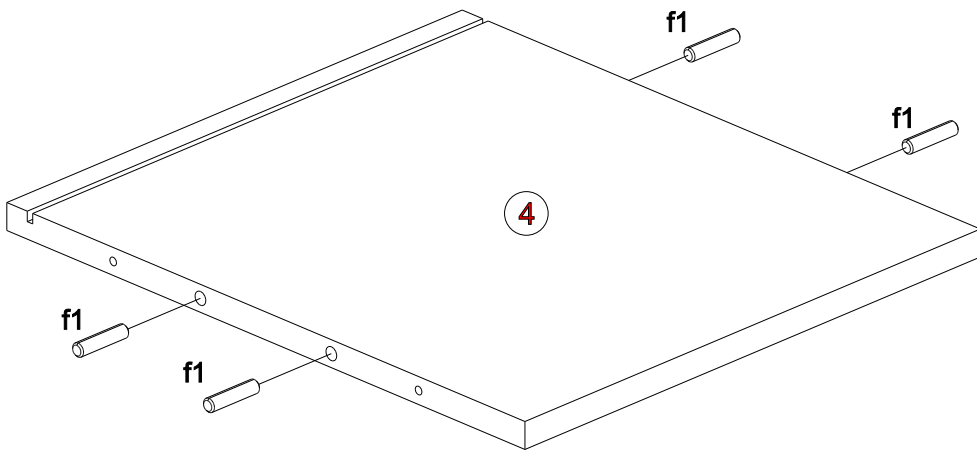
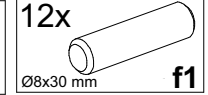
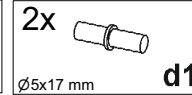
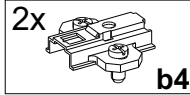
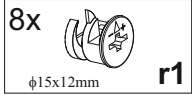
max.




2x a4	2x a41	2x b4	1x a4/2	2x g2	4x d1 Ø5x17 mm	20x f1 Ø8x30 mm
3x f35 φ10x60 mm	2x j8 M4x25 mm	12x l2	6x s59 Ø 15mm	1x n14 75x30x15/1,5mm	1x p17 φ5x60 mm	6x p19 φ4x16 mm
6x e1 φ7x50 mm	4x e4 Ø5x11 mm	22x r1 φ15x12mm	22x r42 20/11	10x s2 Ø16	12x s3 Ø16	2x o21 φ8x1,8mm
1x c193	1x z1	2x n108 20x13x3,5/1mm	2x p55 φ3x20 mm	10x p21 Ø4x40 mm	2x p75 Ø6x50 mm	

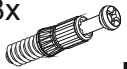


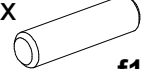
1

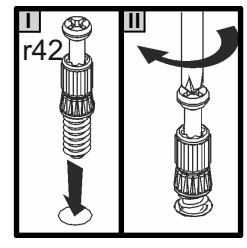
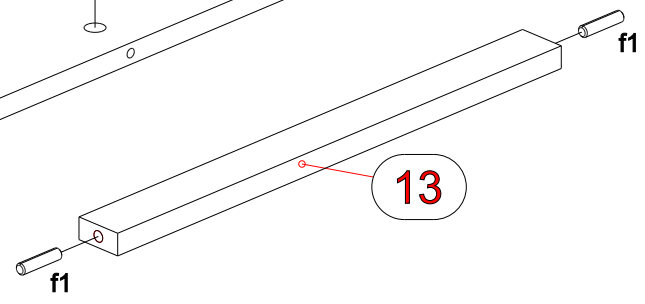
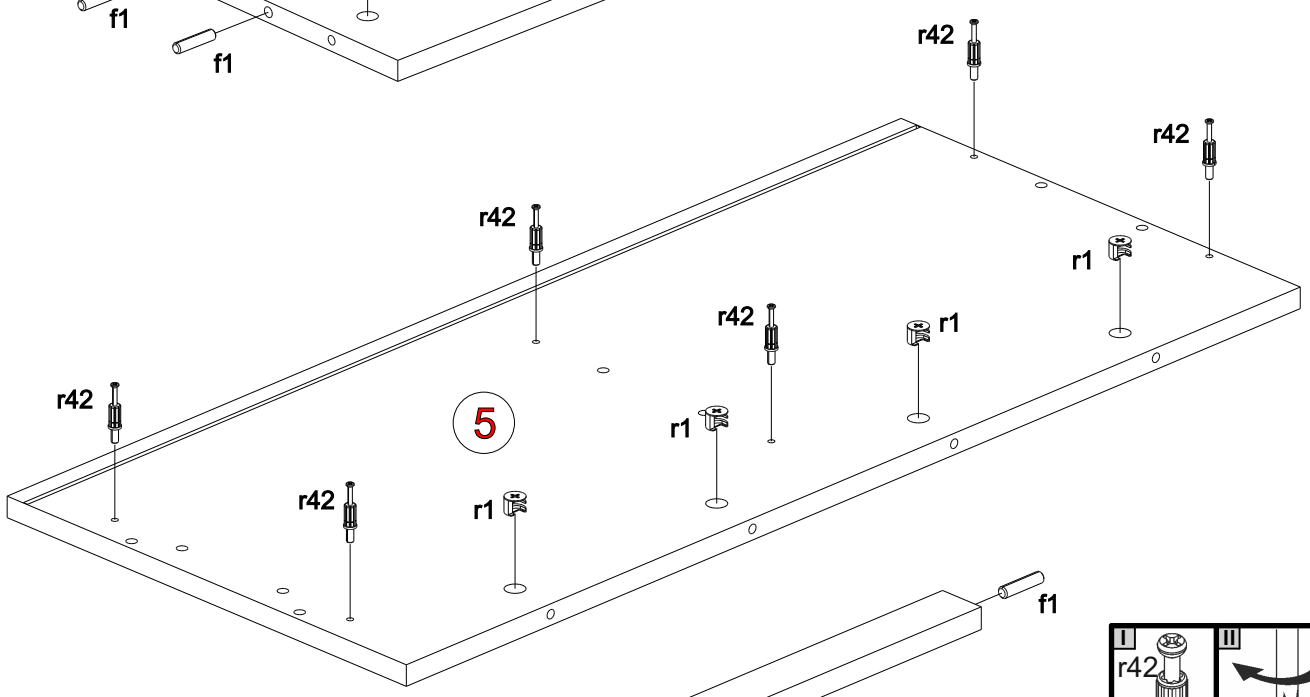
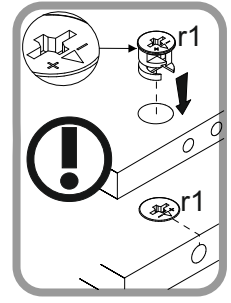
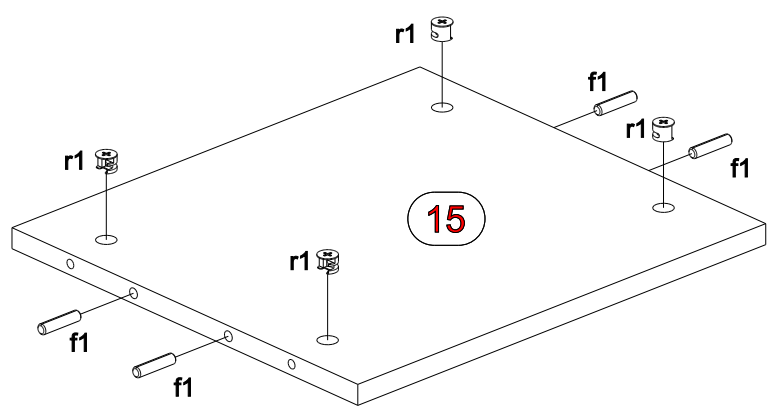
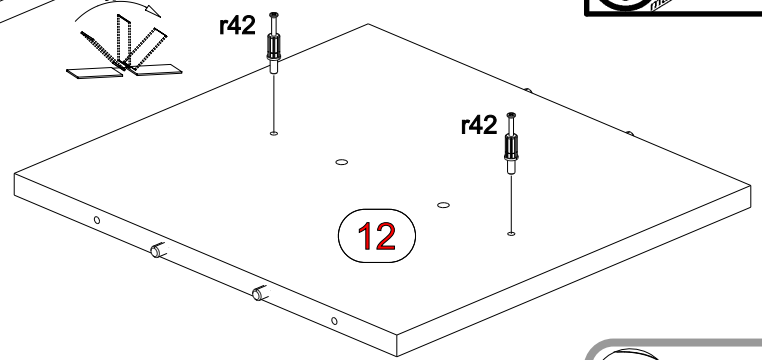
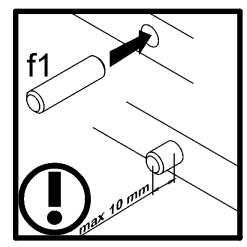
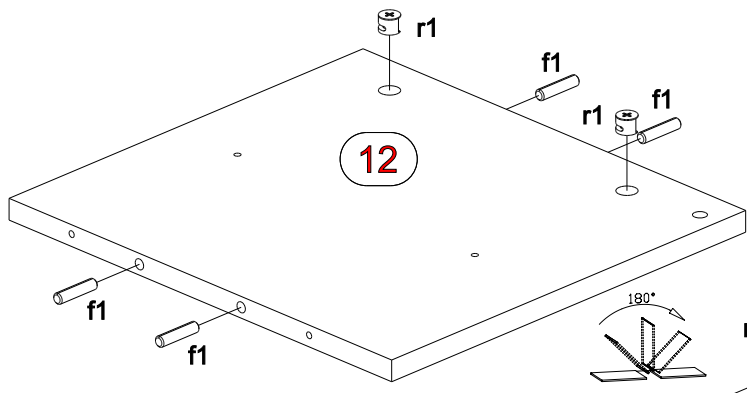


2


10x  r1
φ15x12mm

8x  r42
20/11


10x  f1
Ø8x30 mm




3

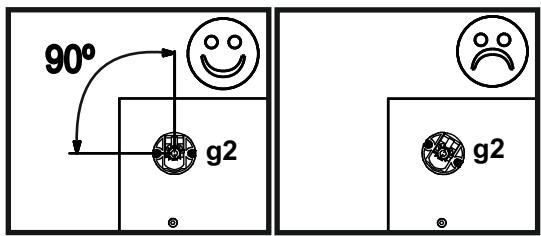
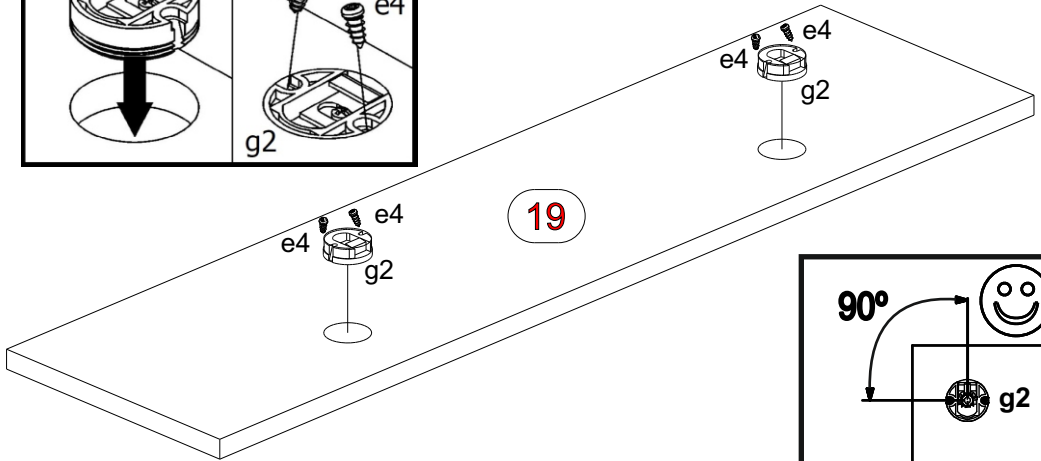
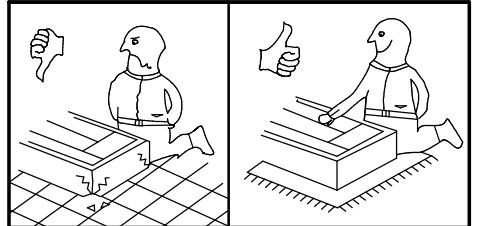
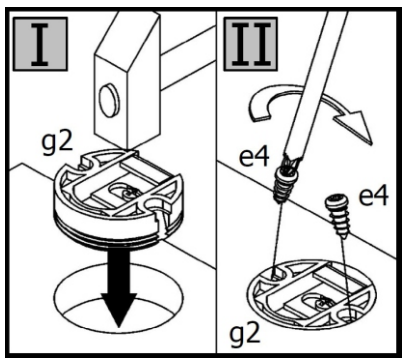
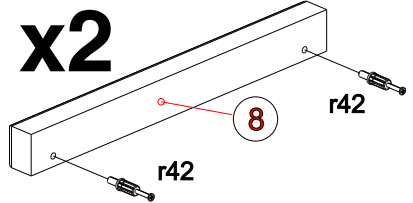
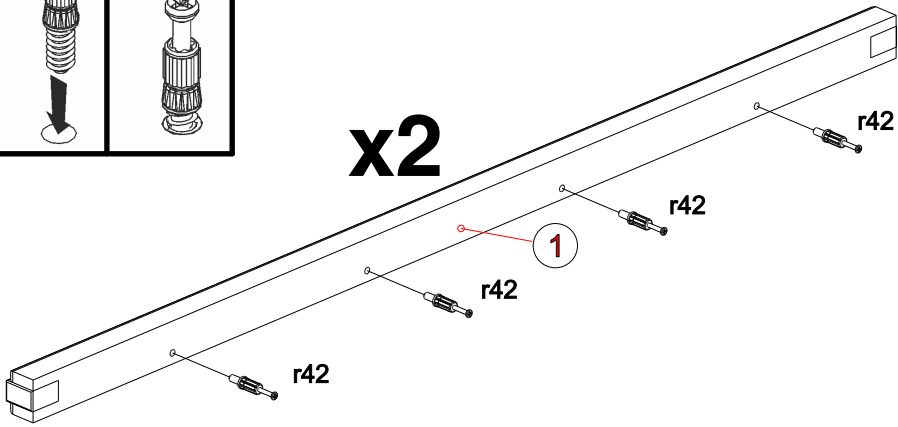
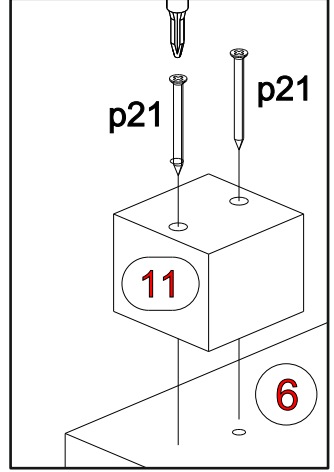
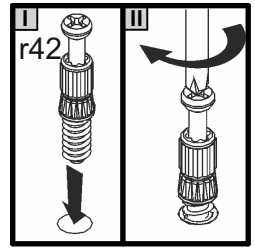
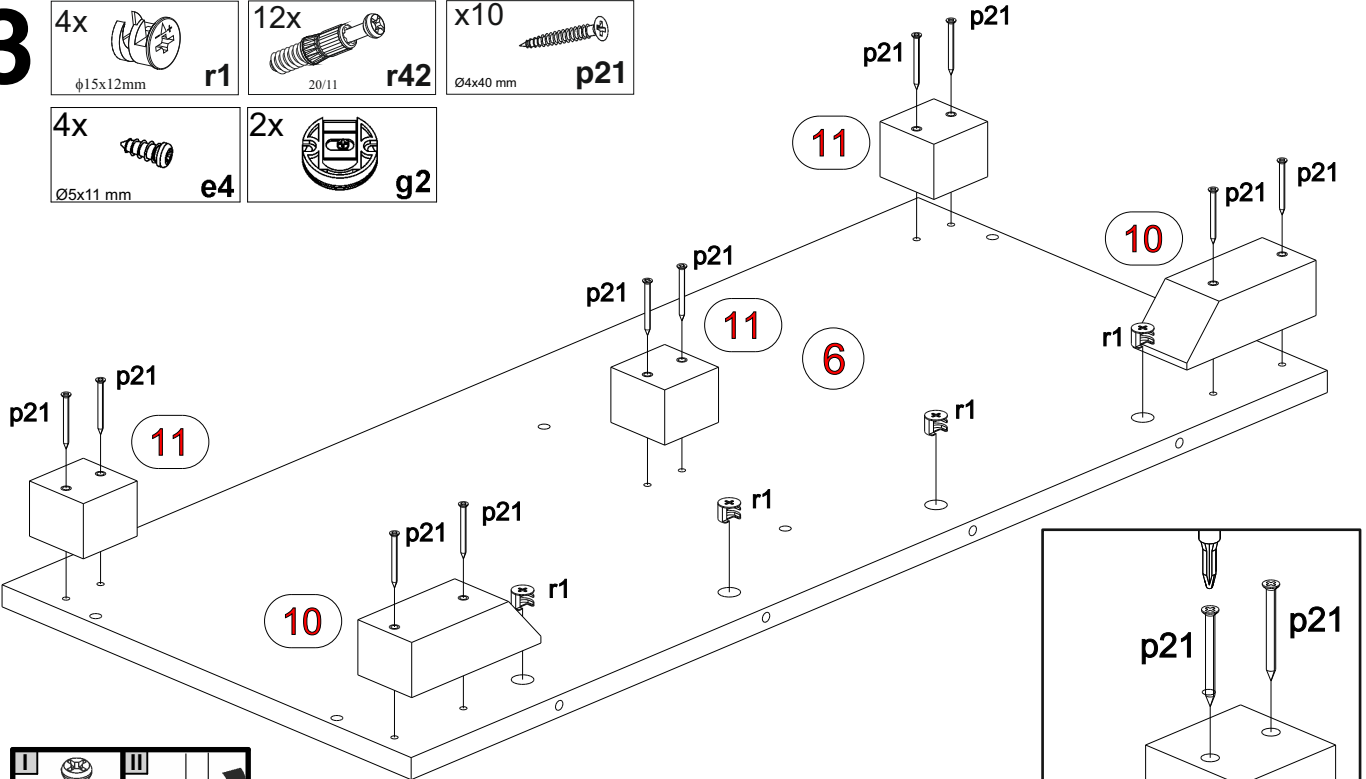
4x  **r1**
φ15x12mm

12x  **r42**
20/11

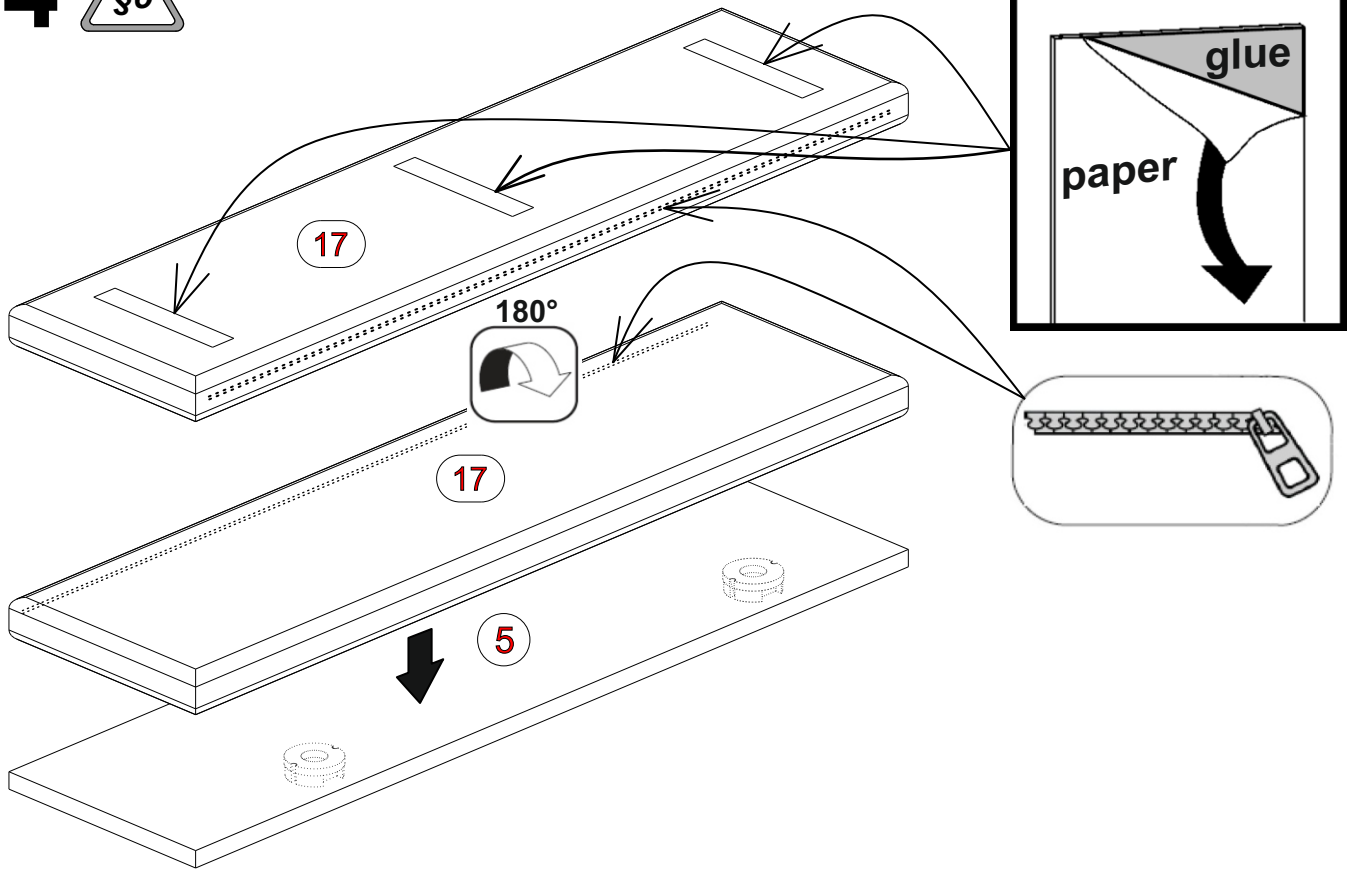
x10  **p21**
Ø4x40 mm

4x  **e4**
Ø5x11 mm

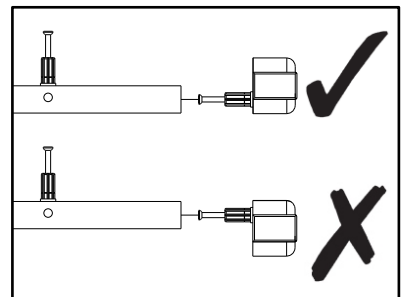
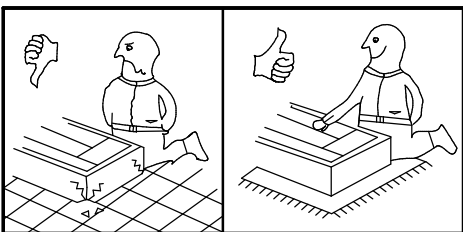
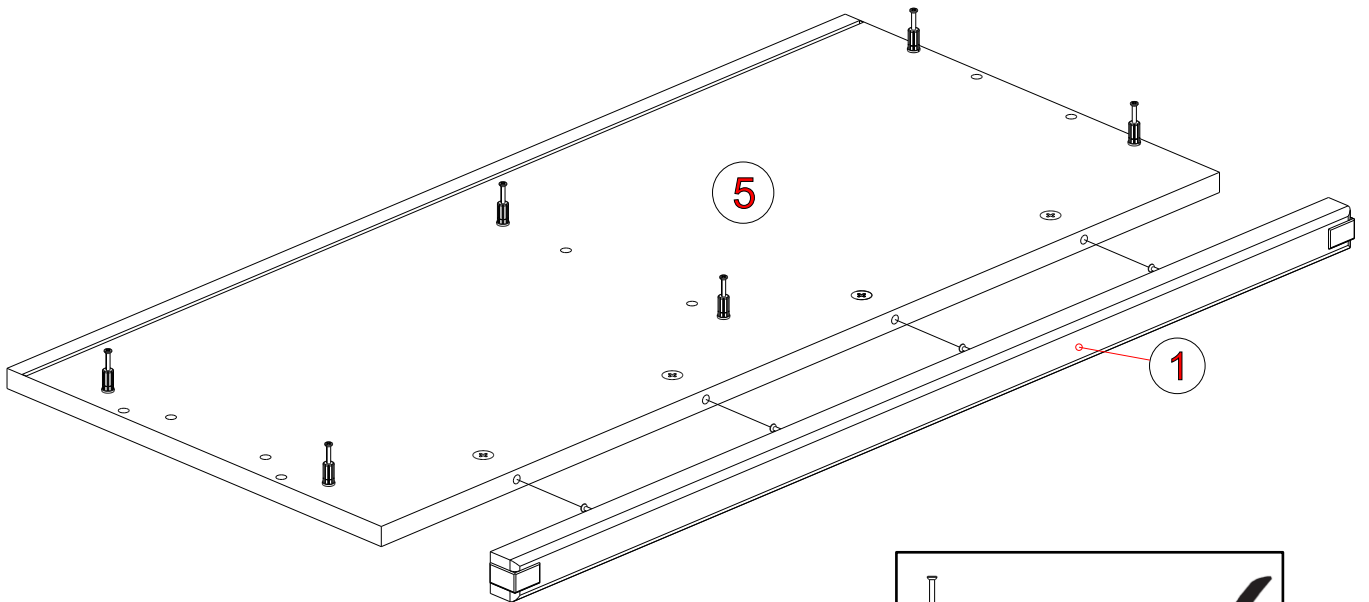
2x  **g2**



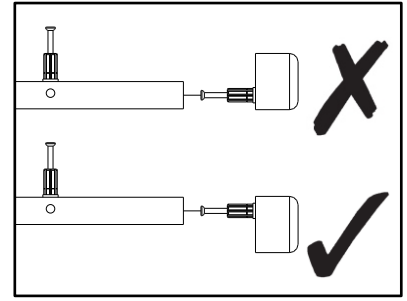
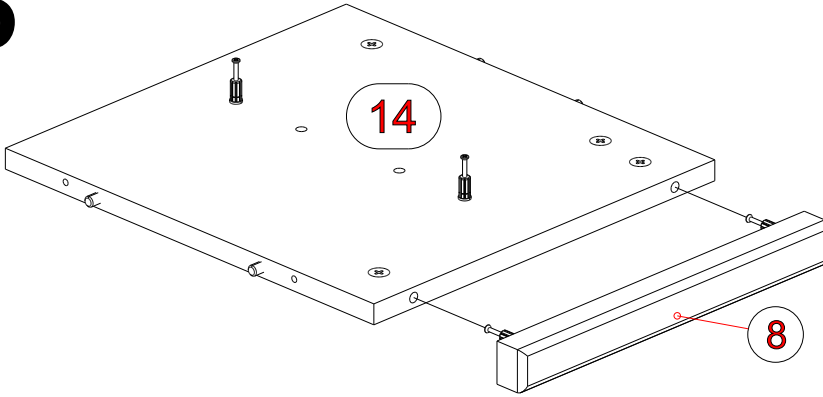
4



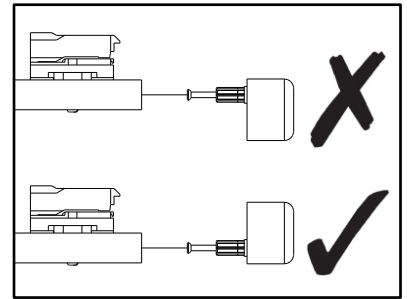
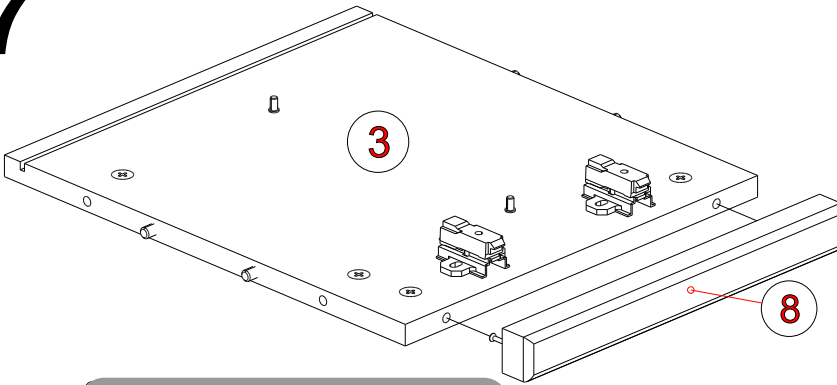
5



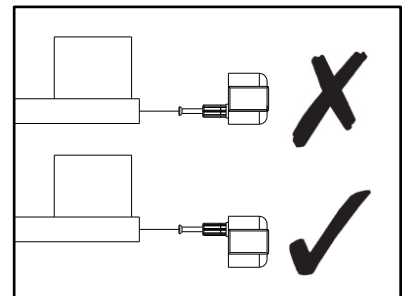
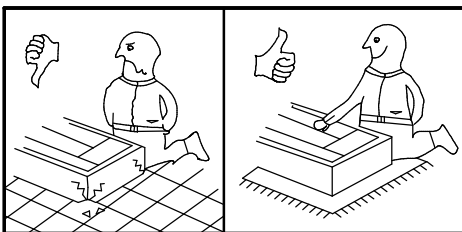
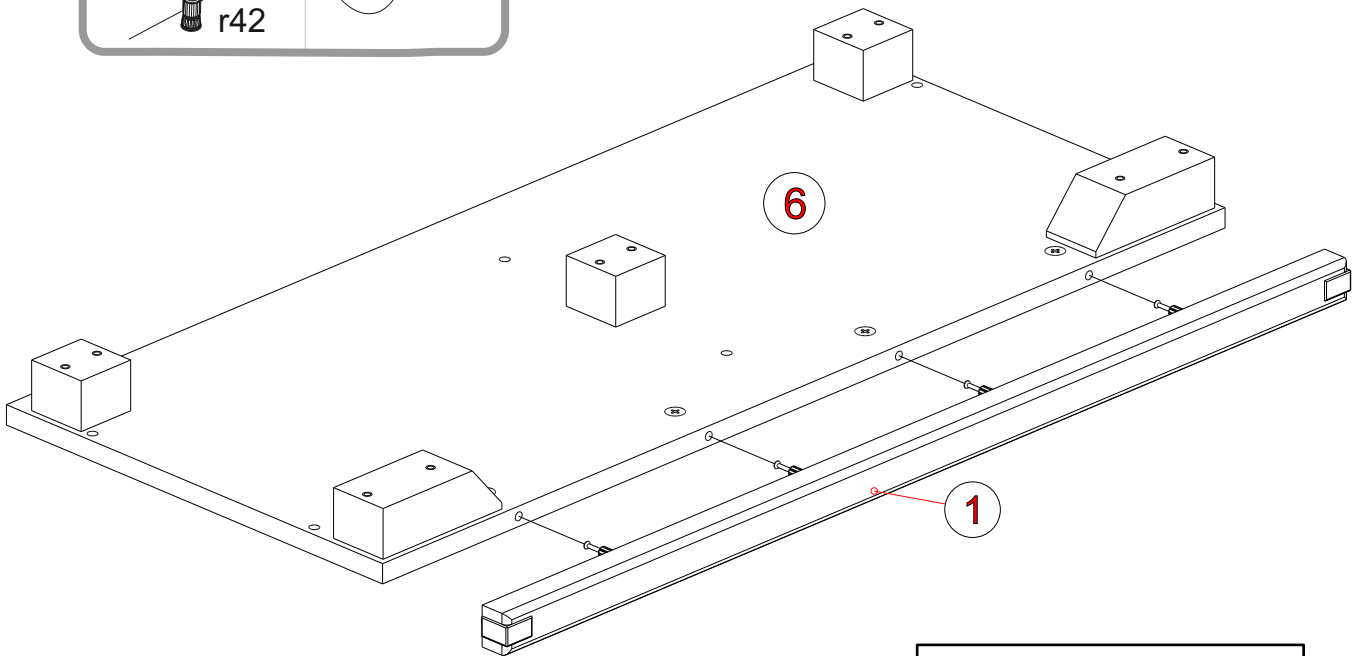
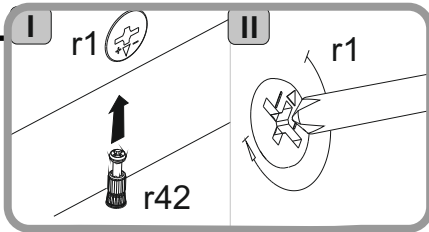
6



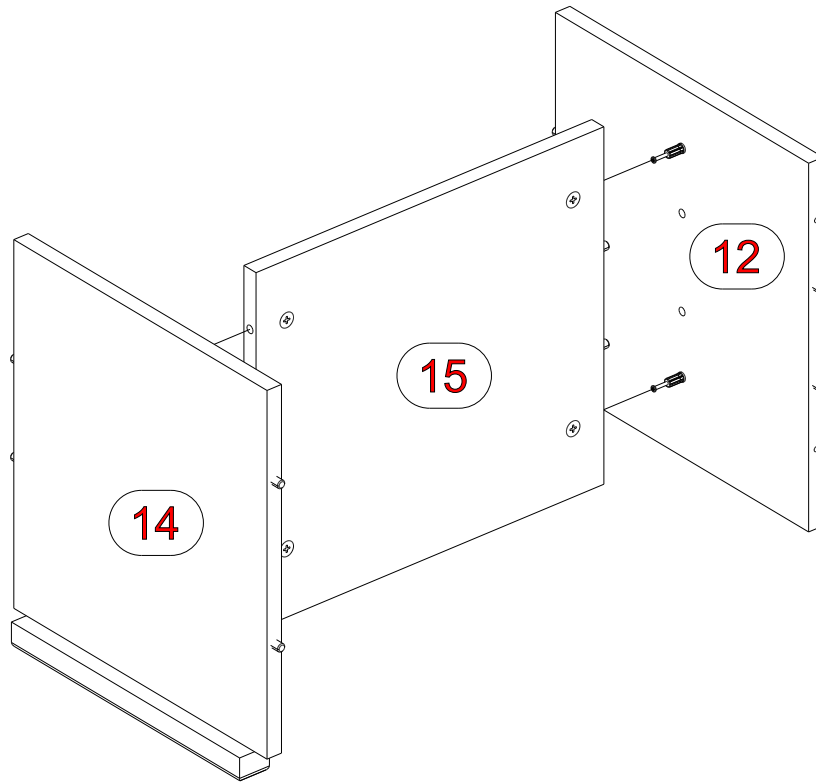
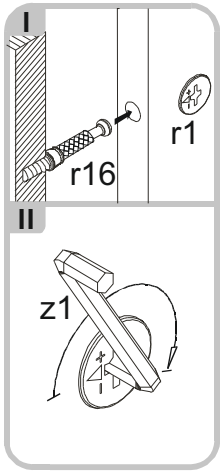
7



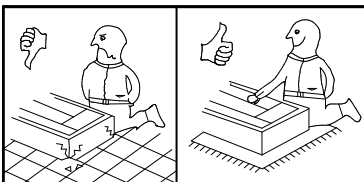
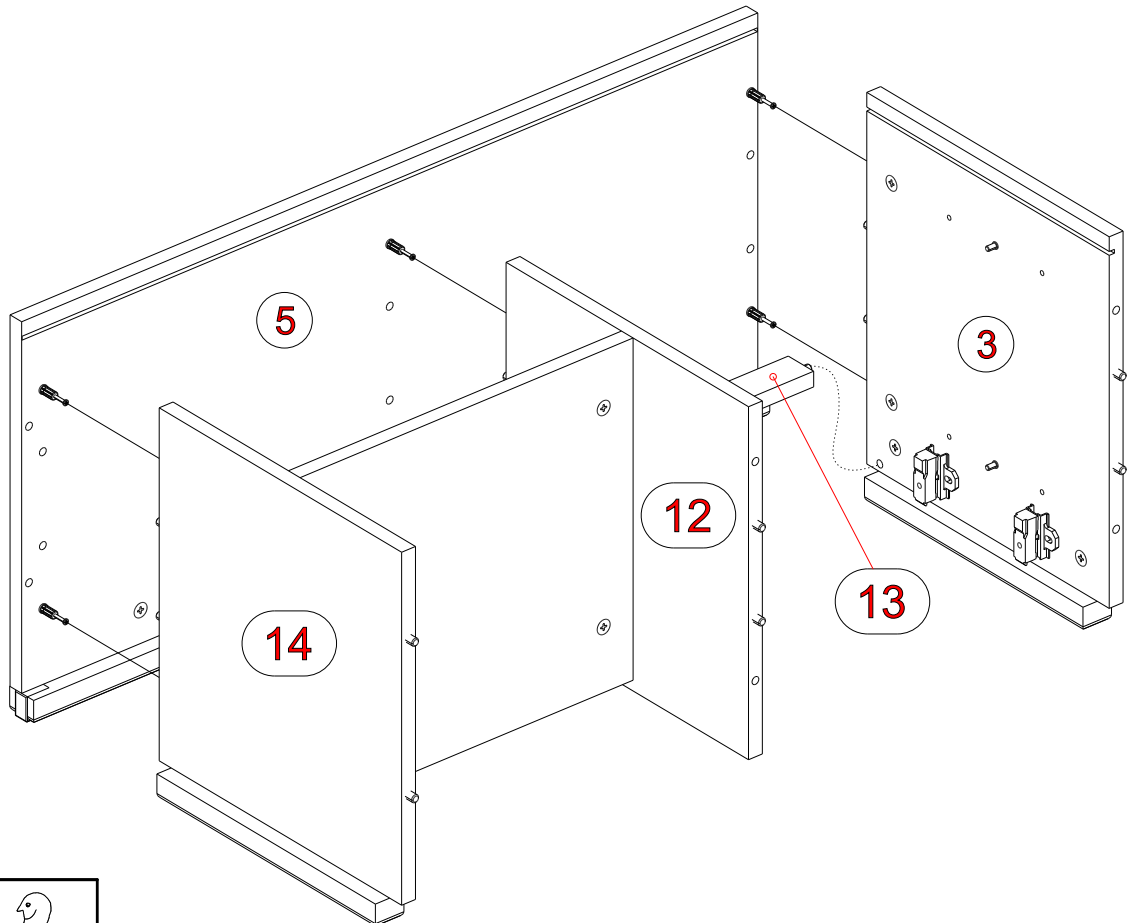
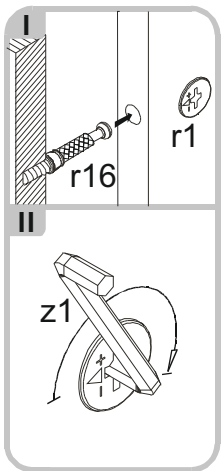
8



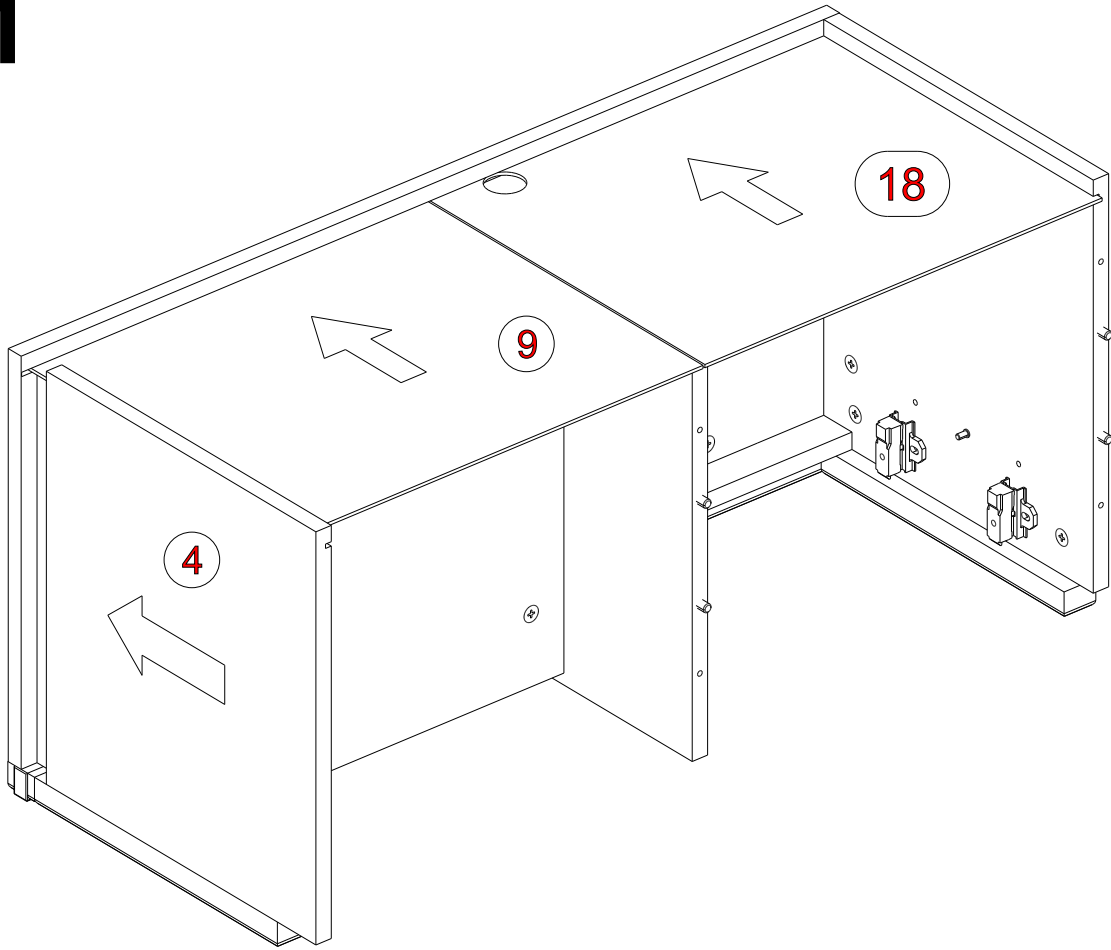
9



10

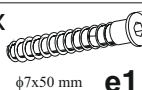


11



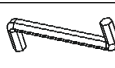
12

6x

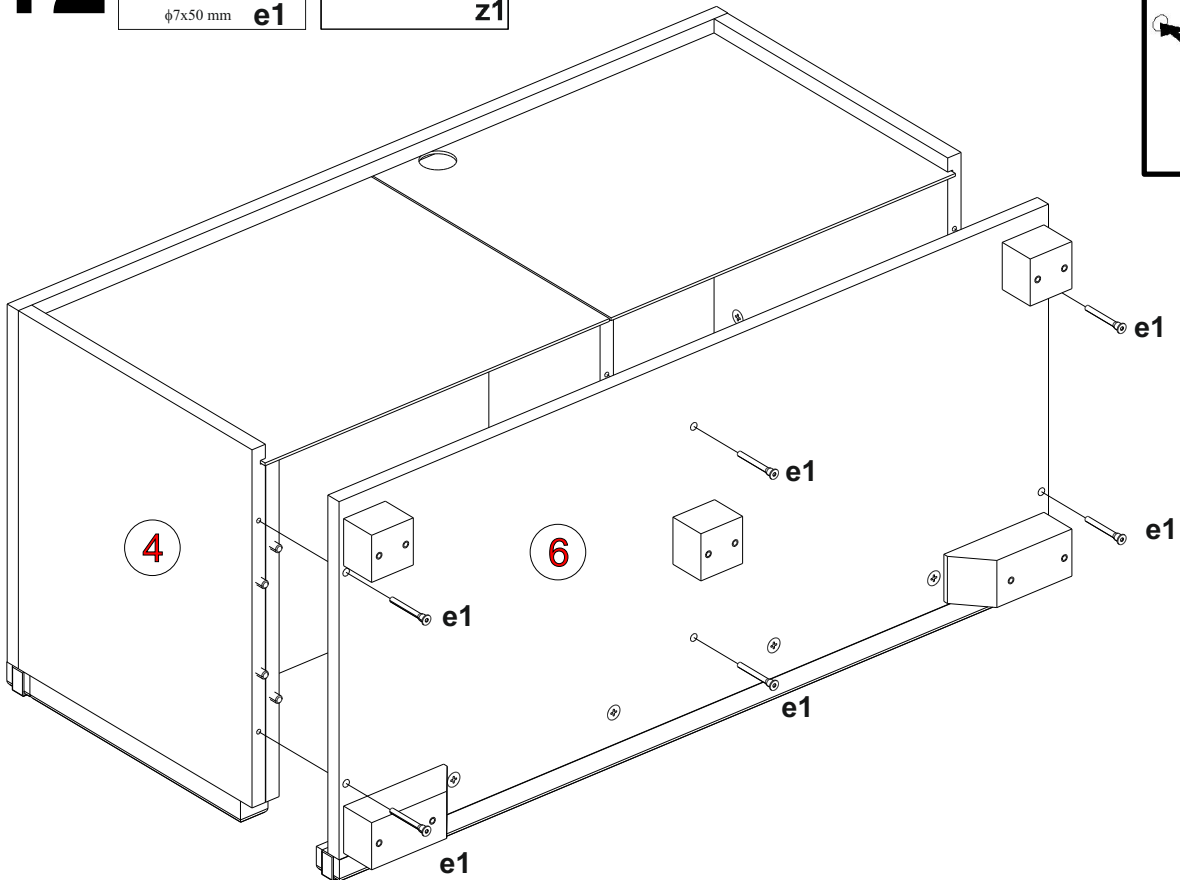
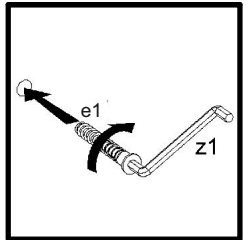


$\phi 7 \times 50$ mm e1

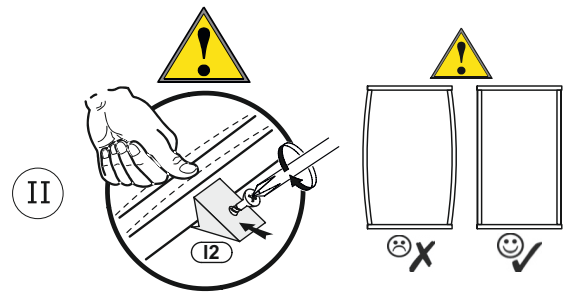
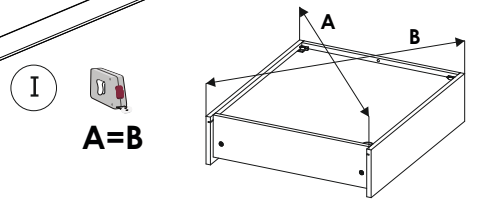
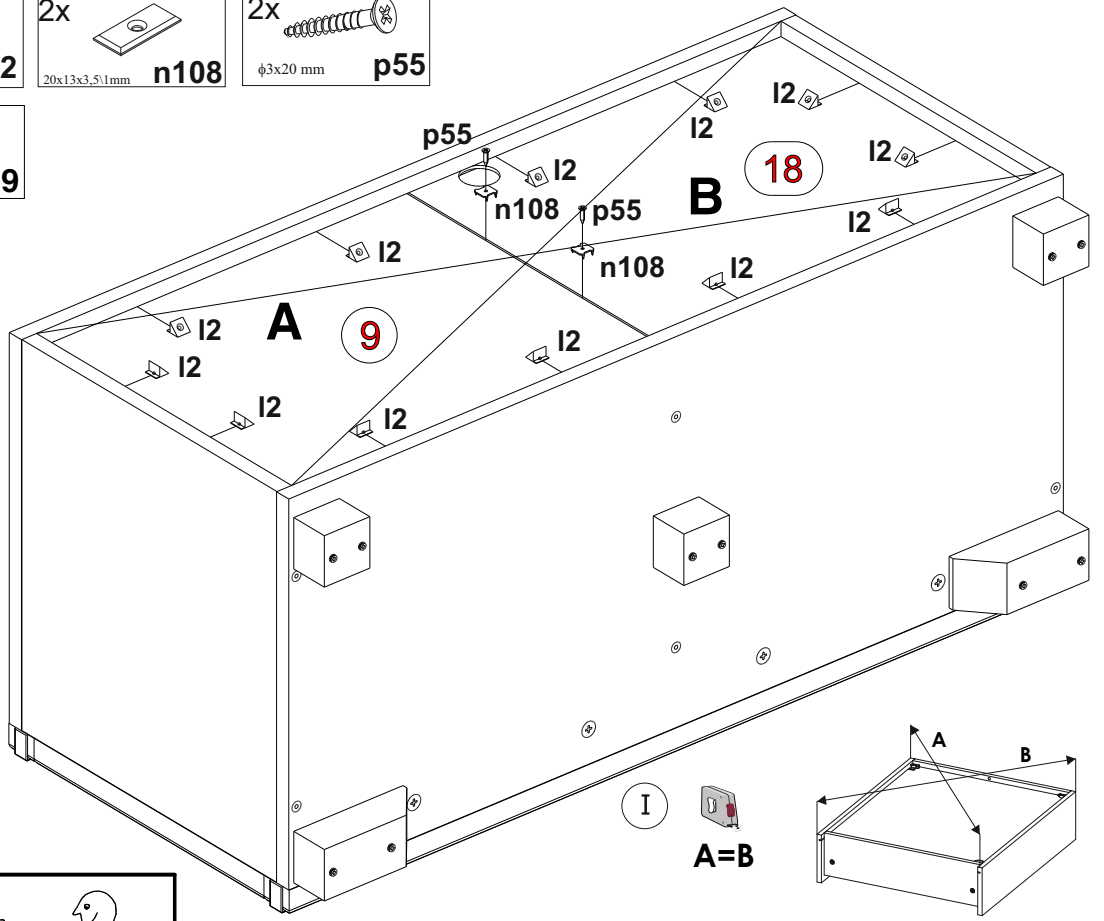
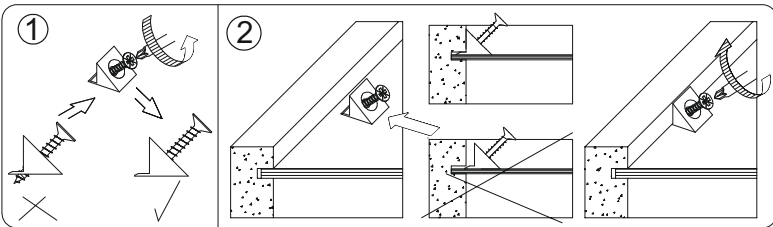
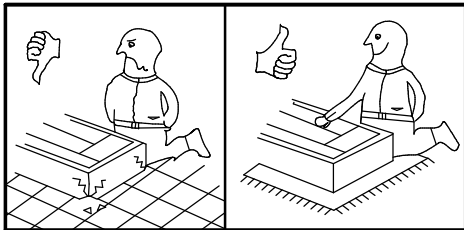
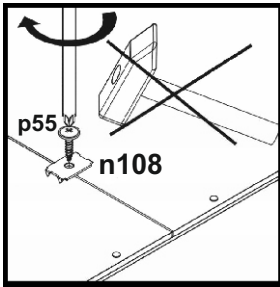
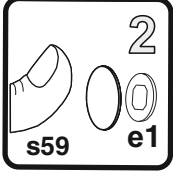
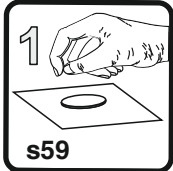
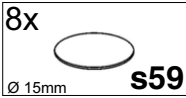
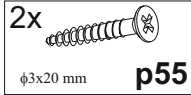
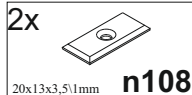
1x



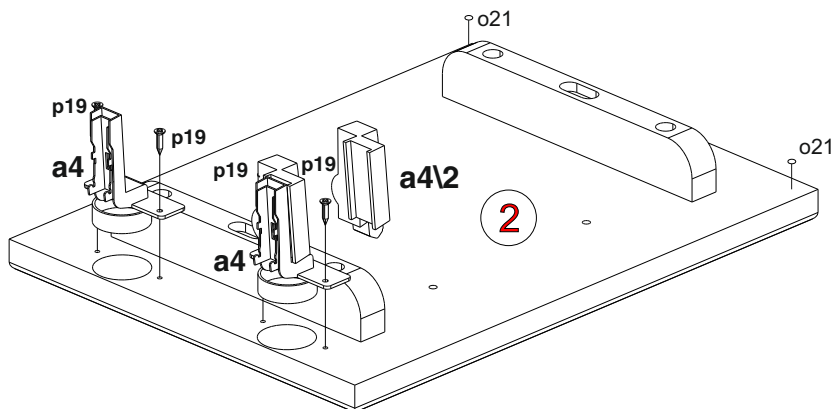
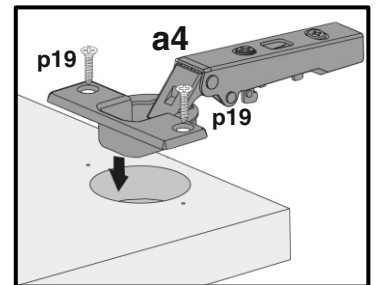
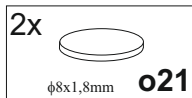
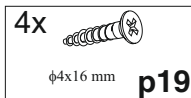
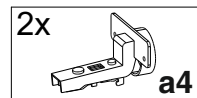
z1



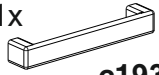

13



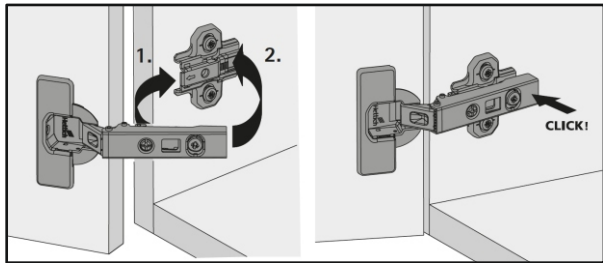
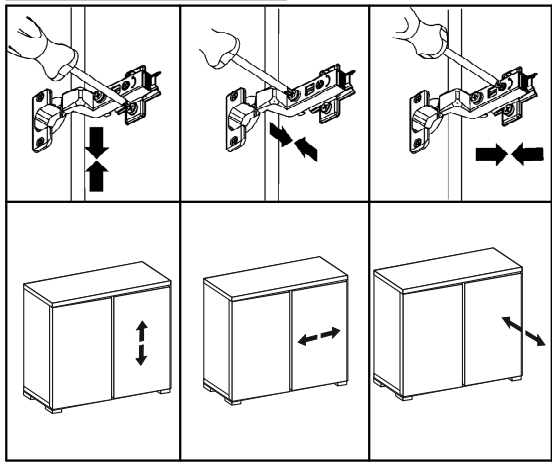
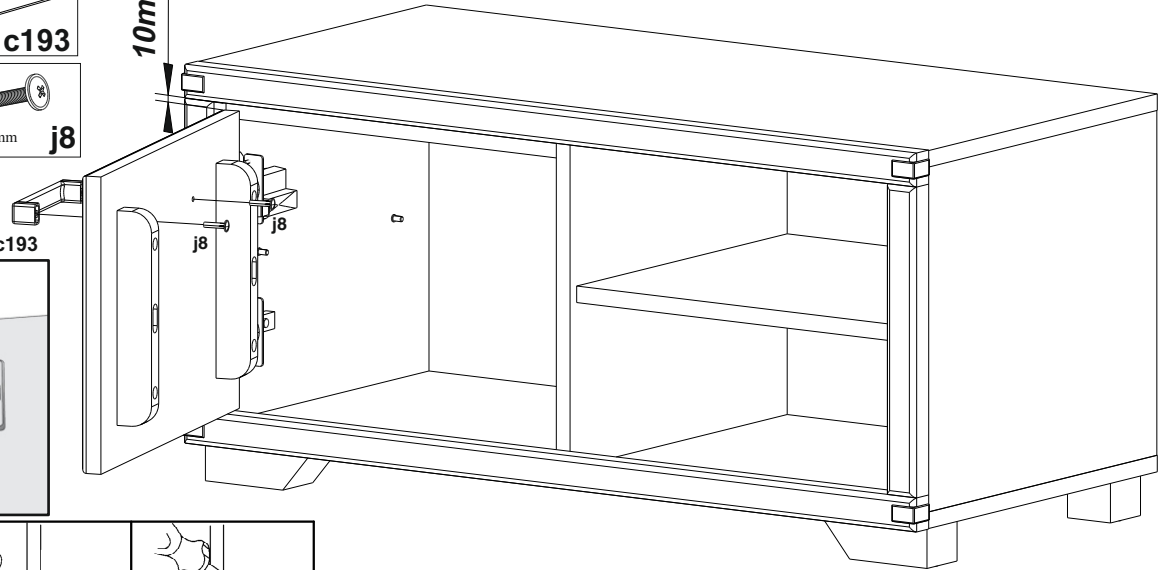
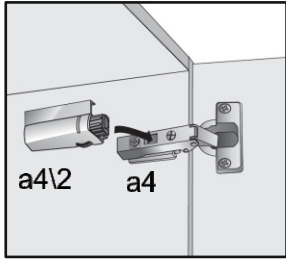
14





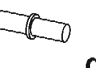
15

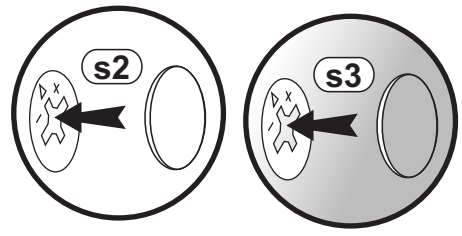
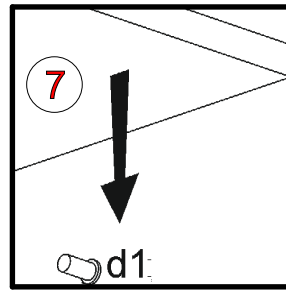
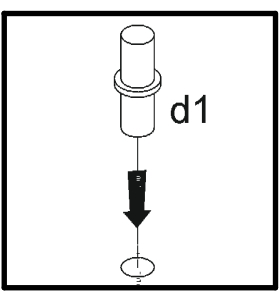
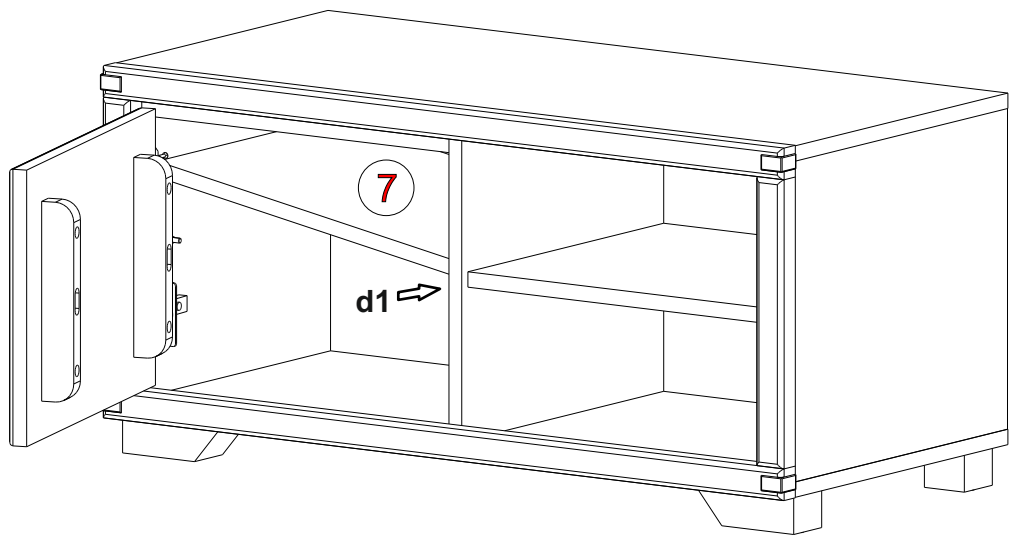
- 1x  **c193**
- 2x  **j8**
M4x25 mm

10mm

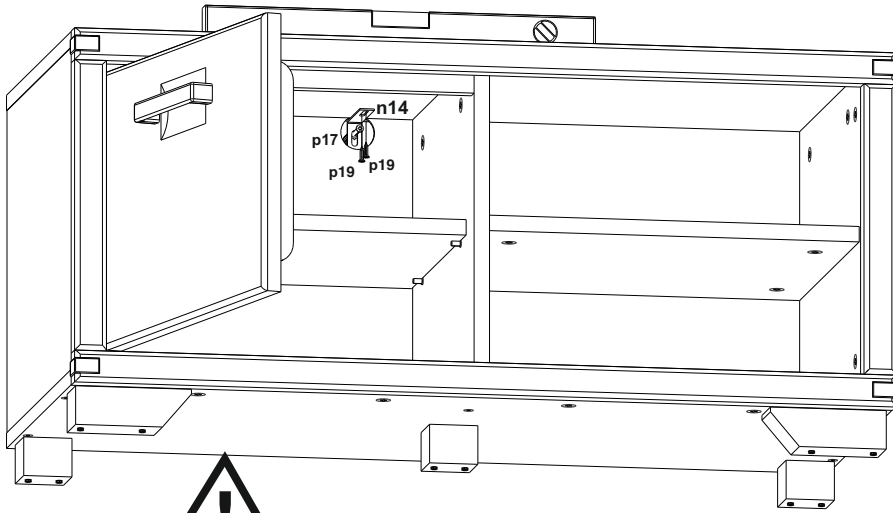
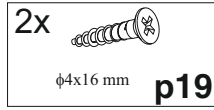
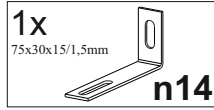
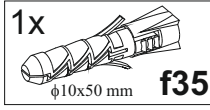
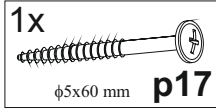


16

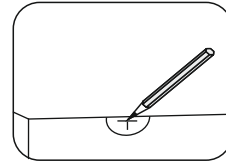
- 10x  **s2**
ø16
- 12x  **s3**
ø16
- 2x  **d1**
ø5x17 mm



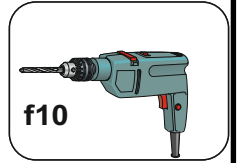
17



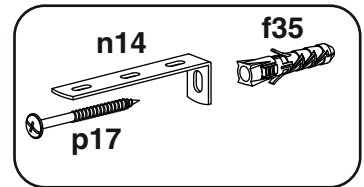
A



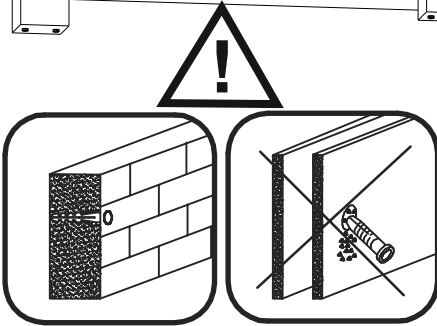
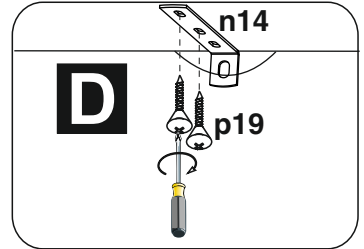
B



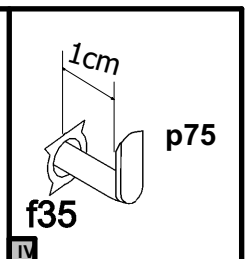
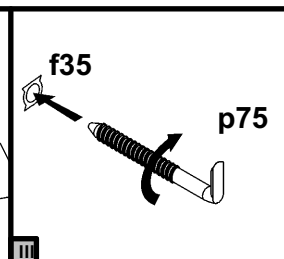
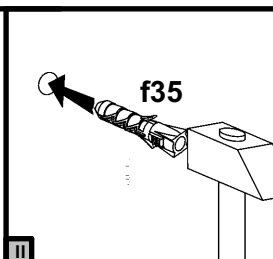
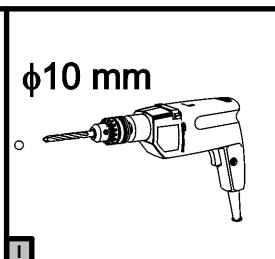
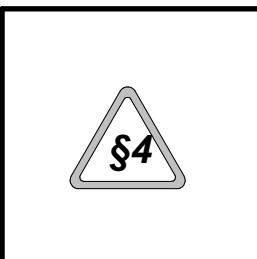
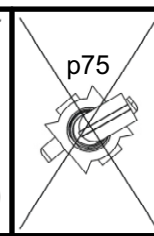
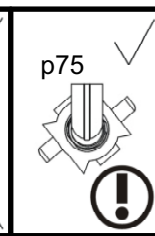
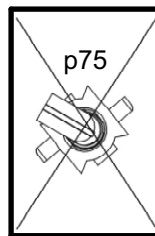
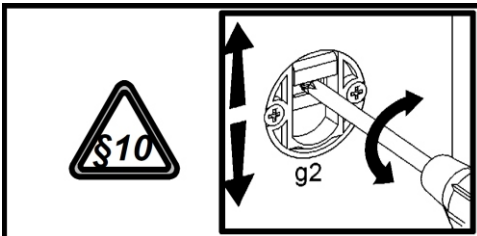
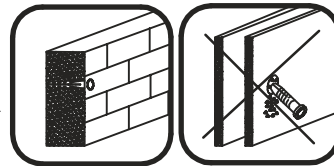
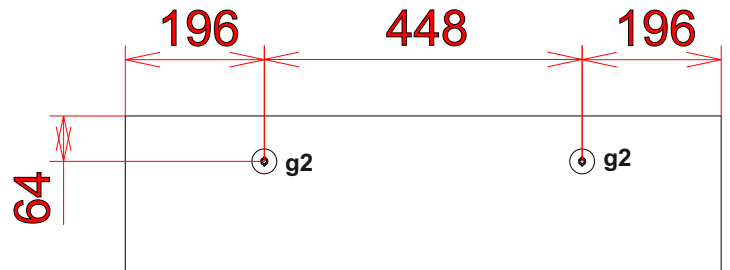
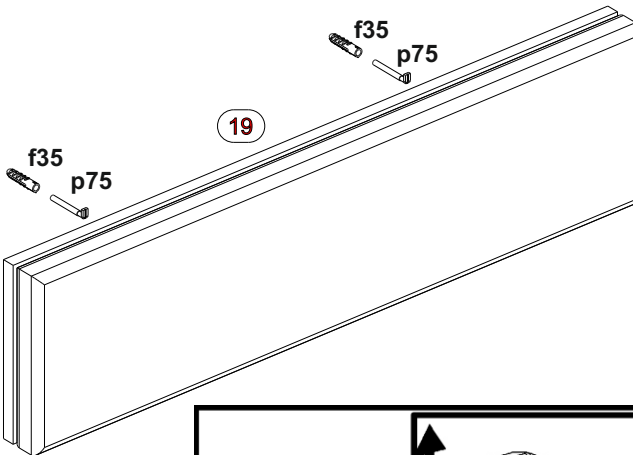
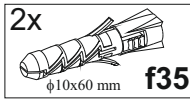
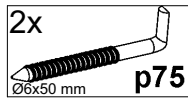
C



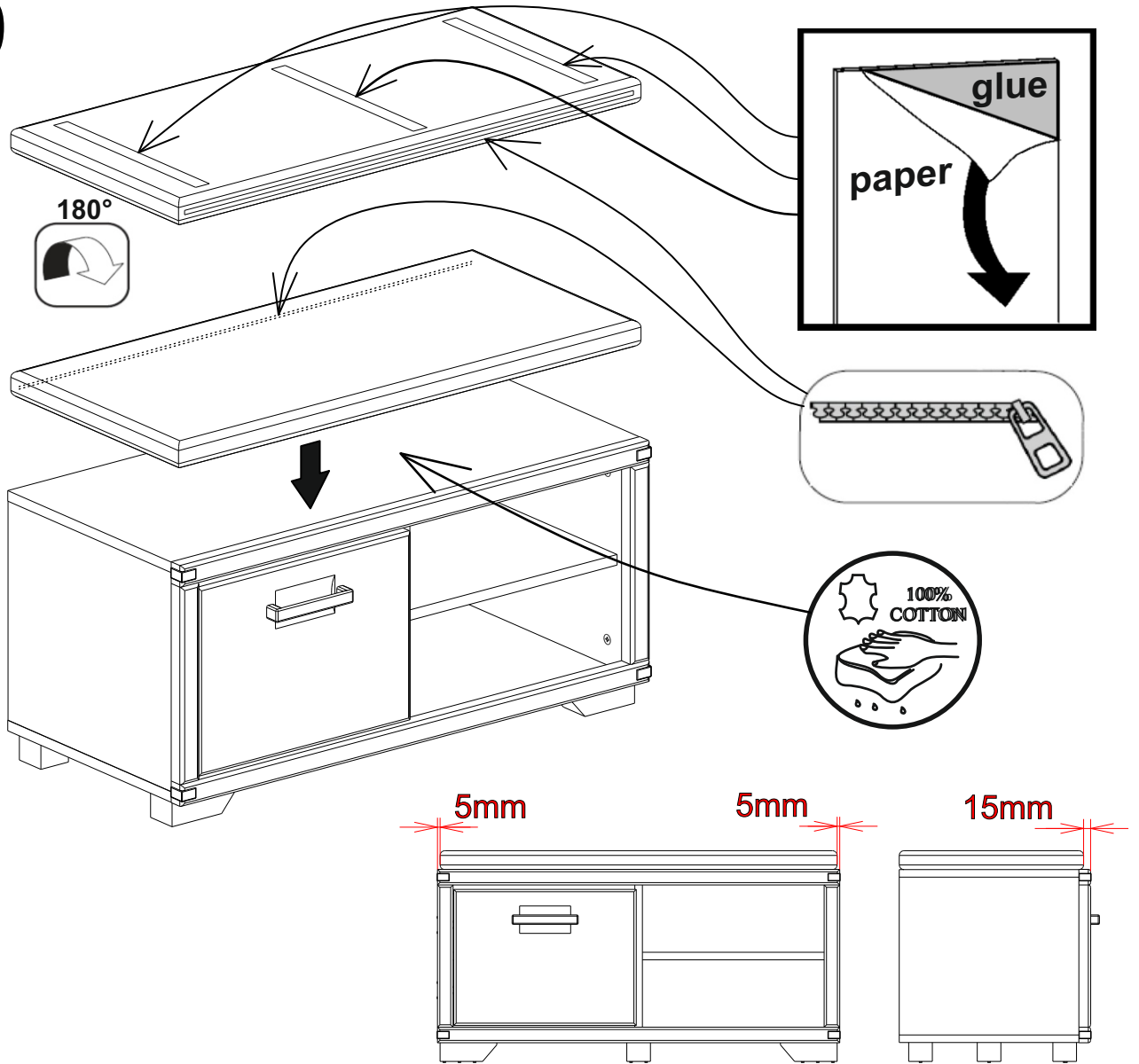
D



18



19



20

