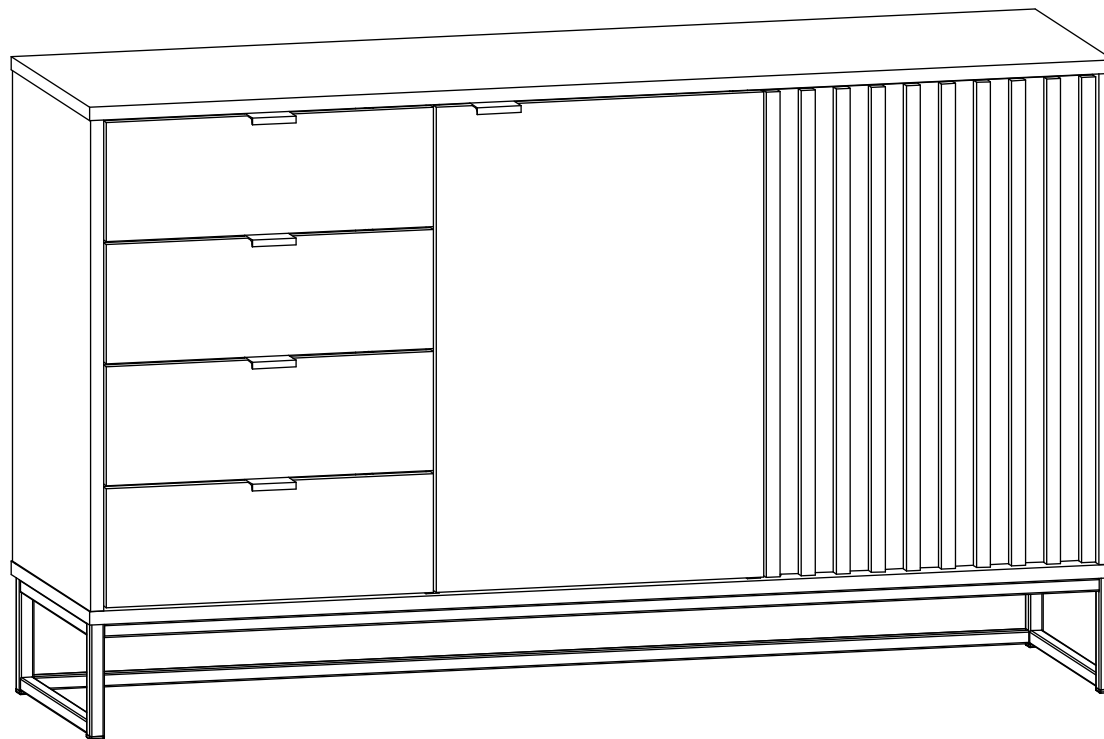
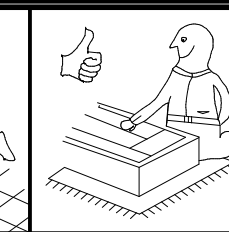
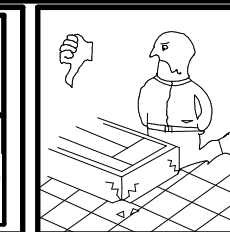
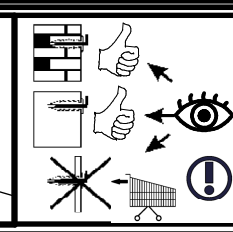
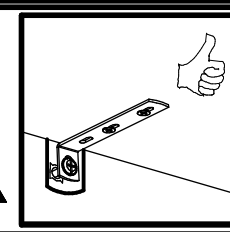
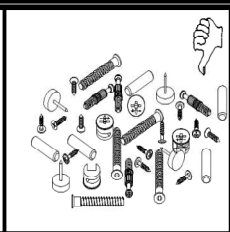
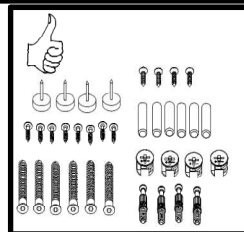
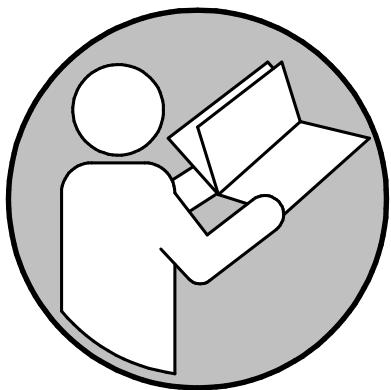


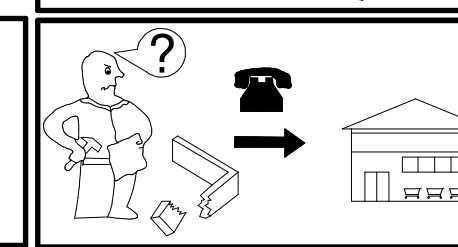
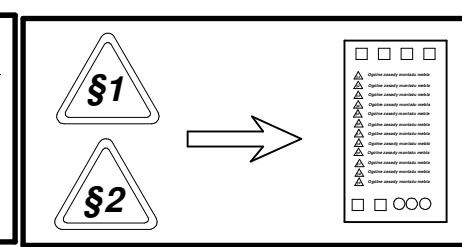
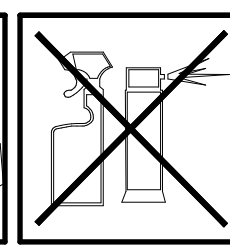
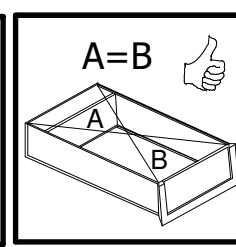
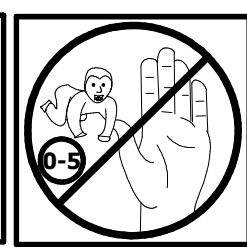
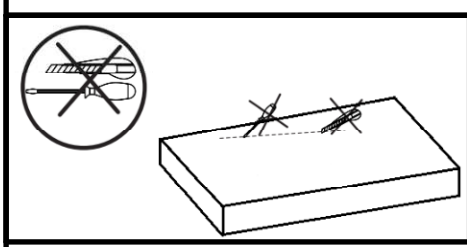
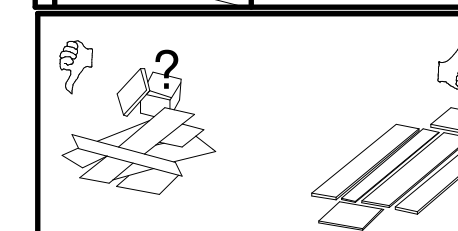
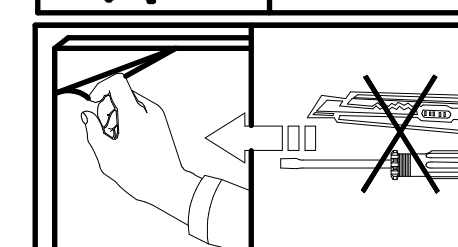
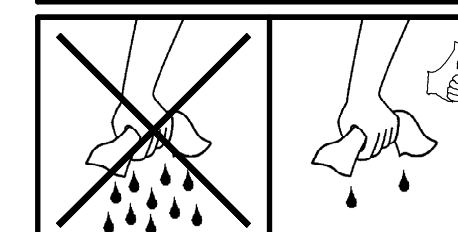
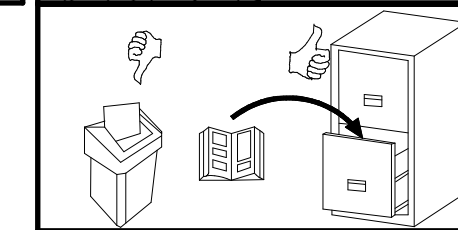
**A**

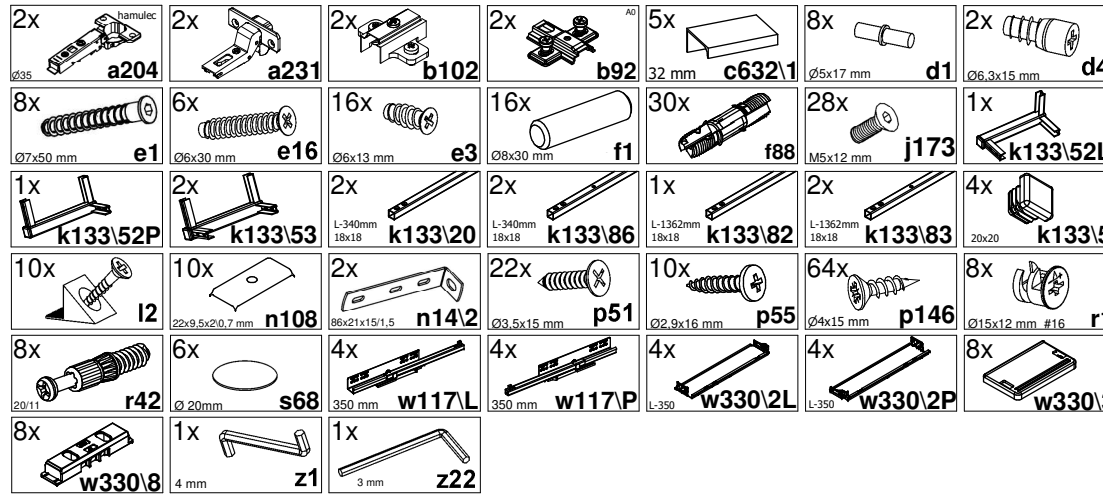
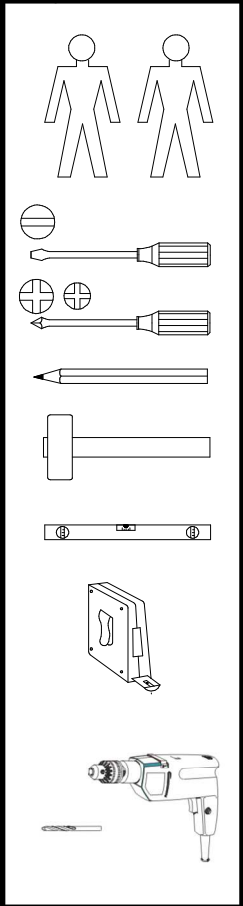
**S646-KOM2D4S/142**

**PHIL**

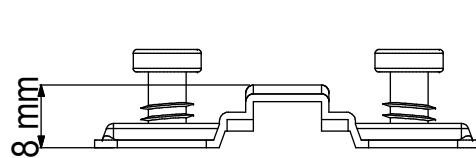
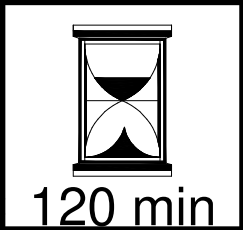


**24270229/02**

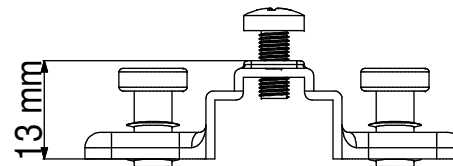




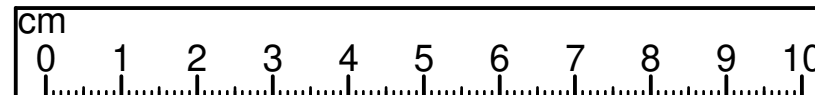
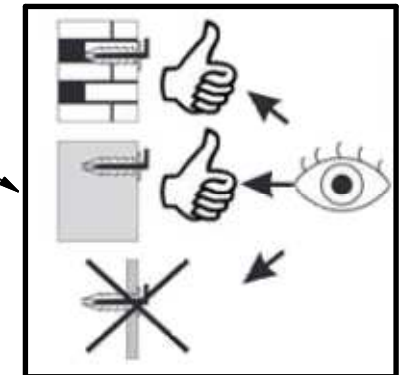
A	B1	B2	C1	C2	C3	D
1	S646-0005	-2	652	448	16	1/4
2	S646-0010	-2	652	451	16	1/4
3	S646-0011	-2	448	160	16	1/4
4	S646-1015	-2	660	399	18	2/4
5	S646-1016	-2	660	399	18	2/4
6	S646-1017	-2	660	362	18	2/4
7	S646-1018	-2	660	362	18	2/4
8	S646-2007	-2	1402	400	18	2/4
9	S646-2008	-2	1402	400	18	2/4
10	S646-3006	-2	421	340	18	1/4
11	S646-3007	-2	458	340	18	1/4
12	S646-5005	-3	652	19	16	1/4
13	S646-5403	-2	432	62	16	1/4
14	S646-5903	A.1	432	340	16	1/4
15	S646-9011	-2	670	473	2,5	1/4
16	S646-9012	-2	670	460	2,5	1/4
17	S646-9013	-2	670	439	2,5	1/4

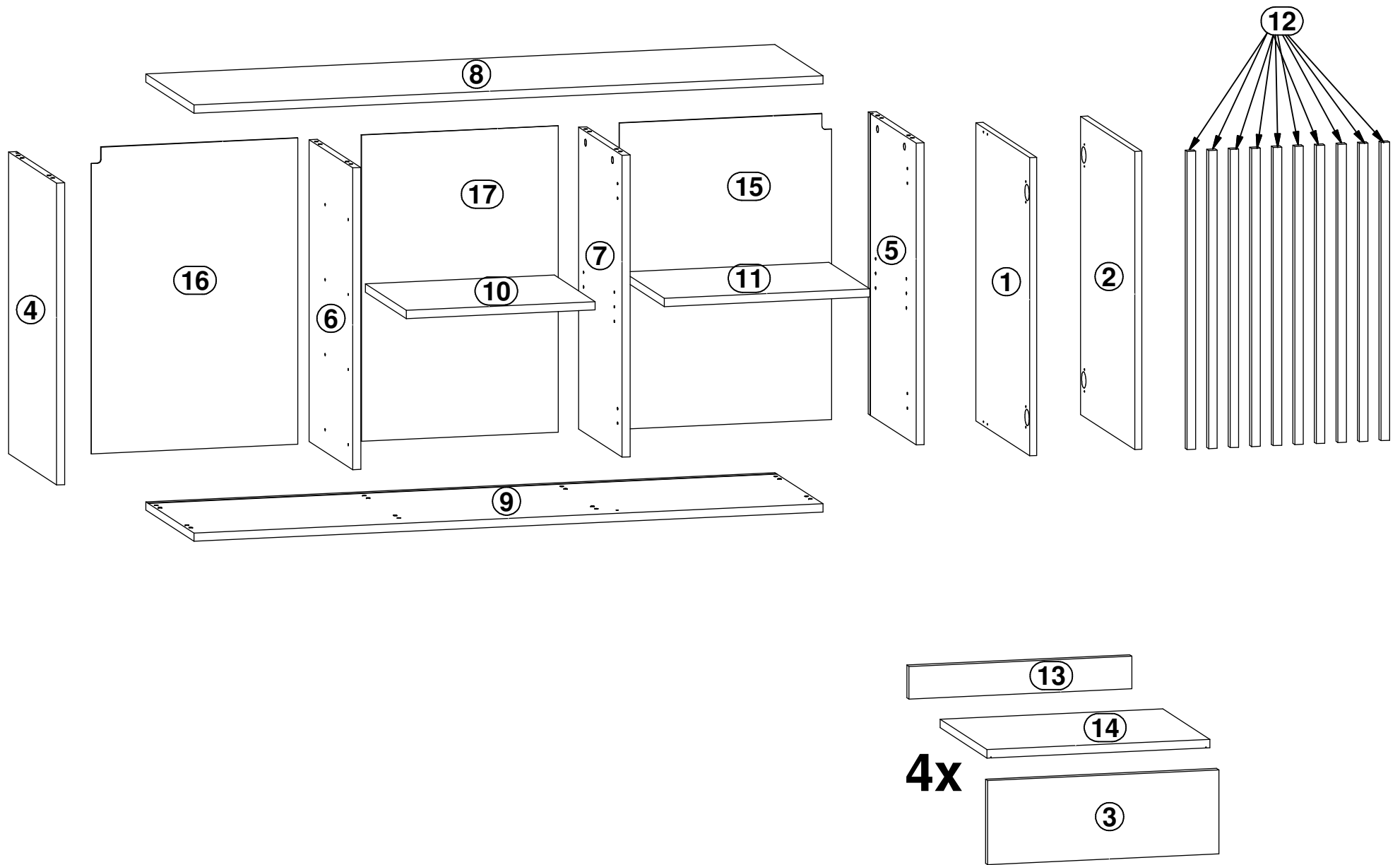


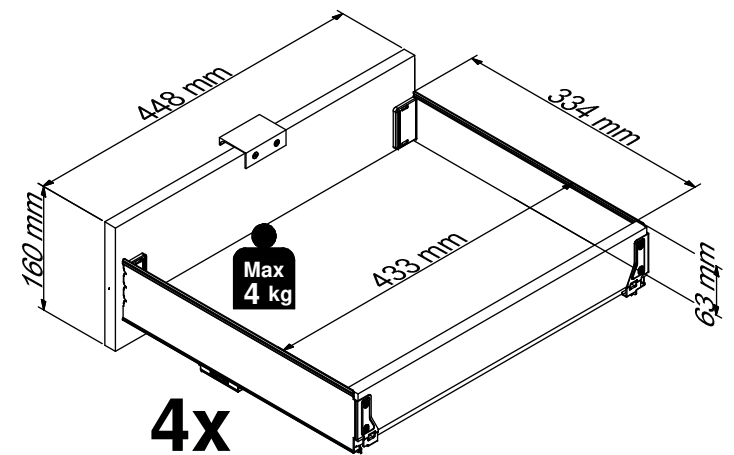
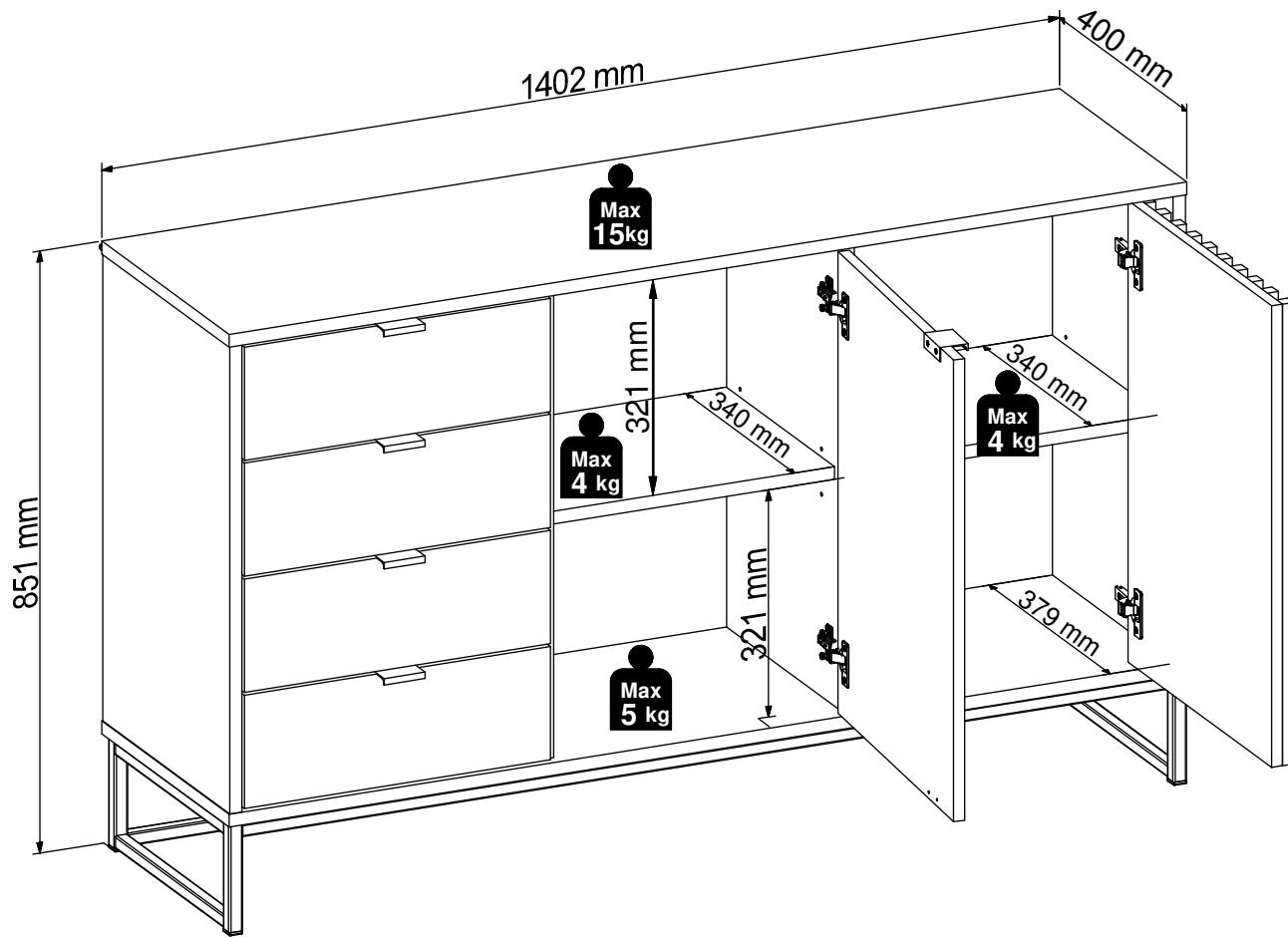
**b92**



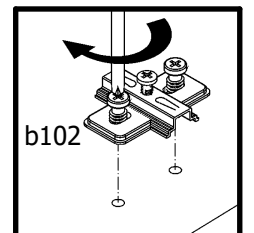
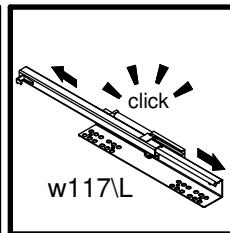
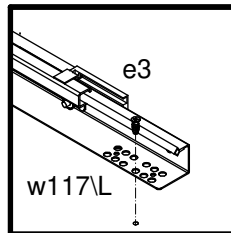
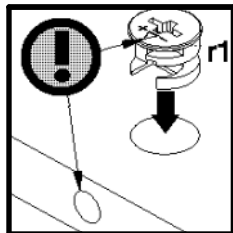
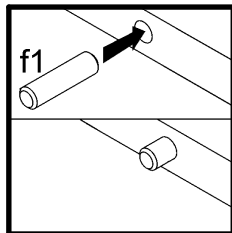
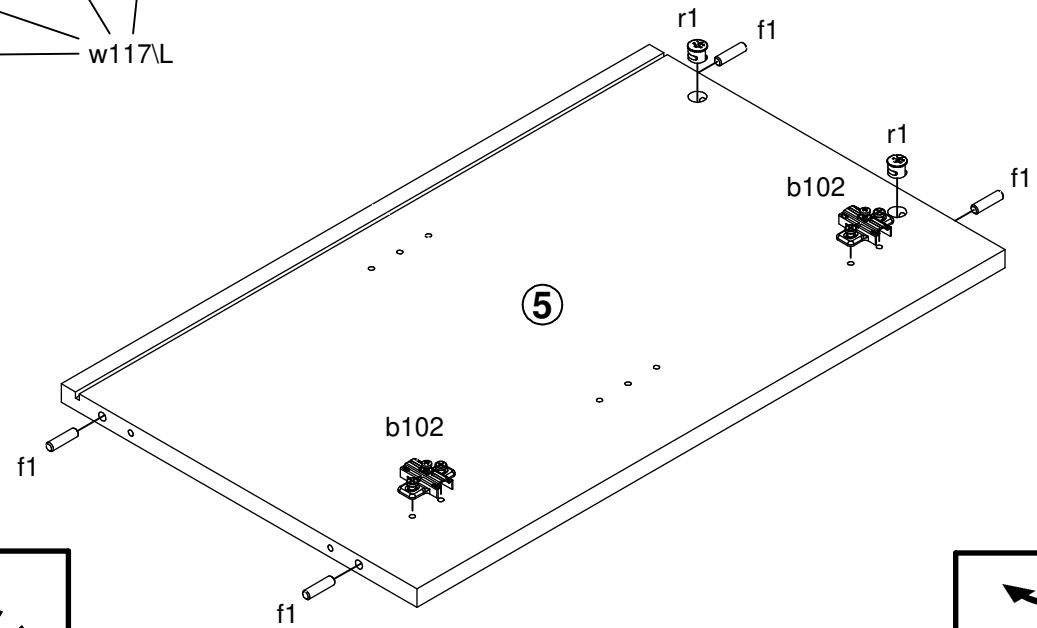
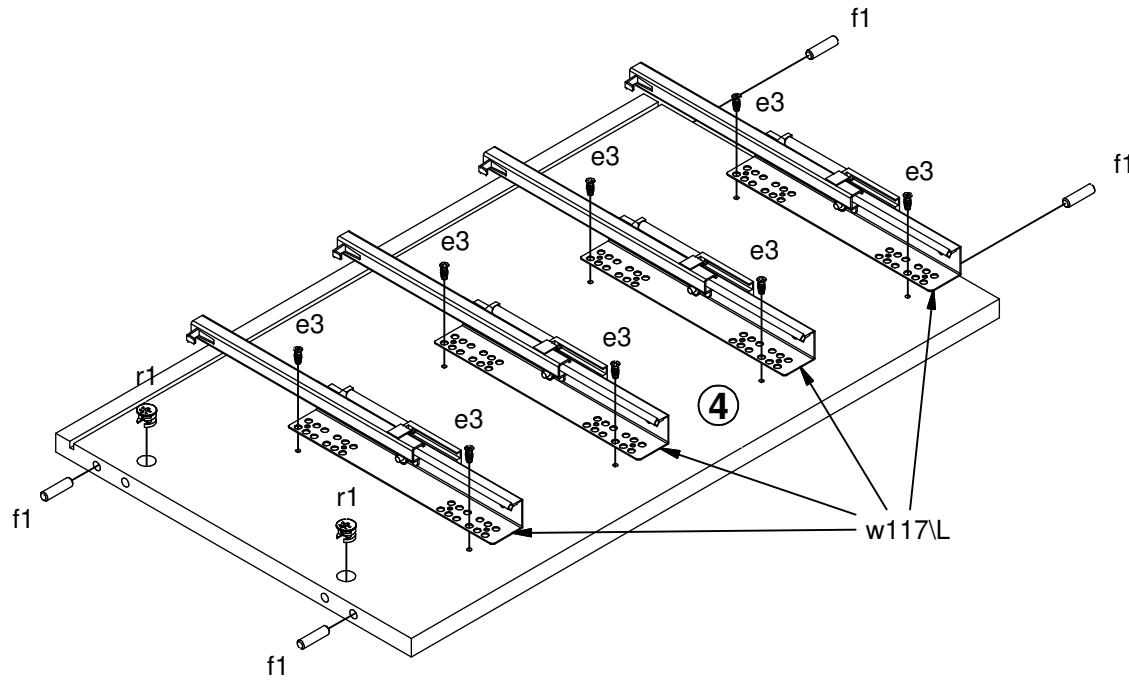
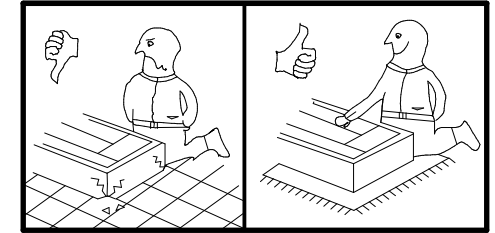
**b102**







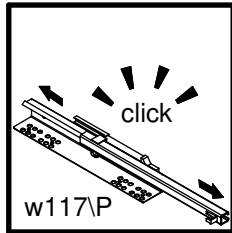
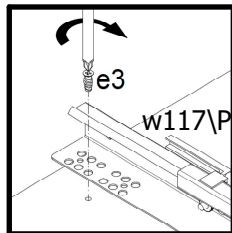
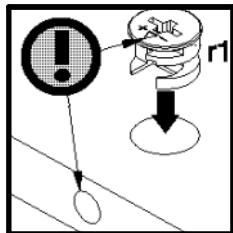
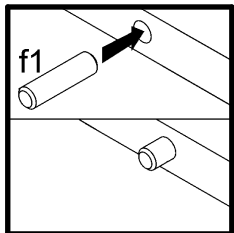
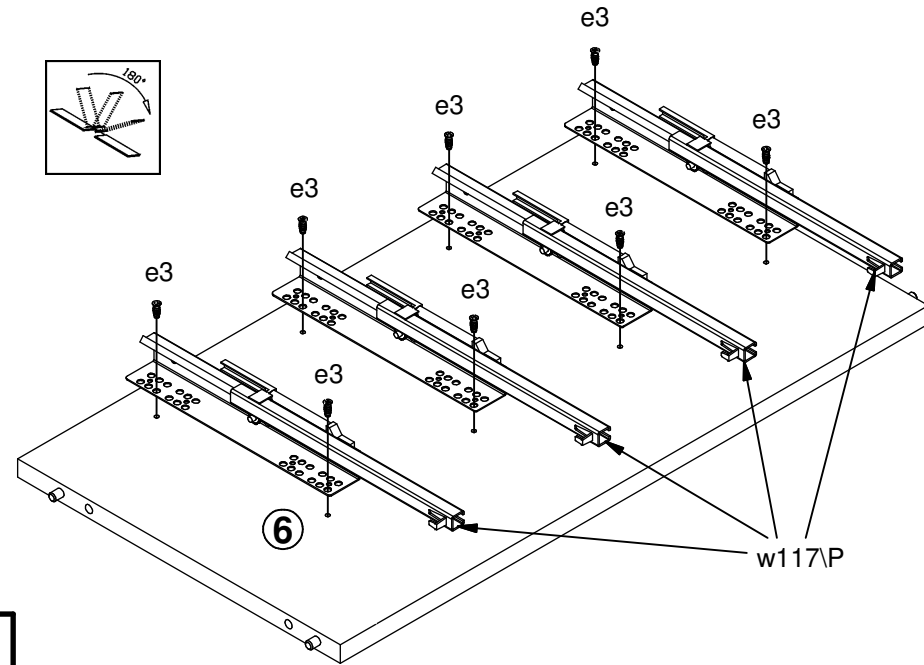
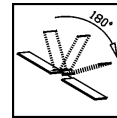
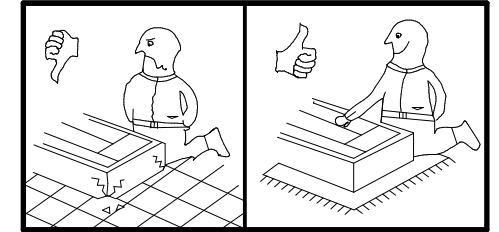
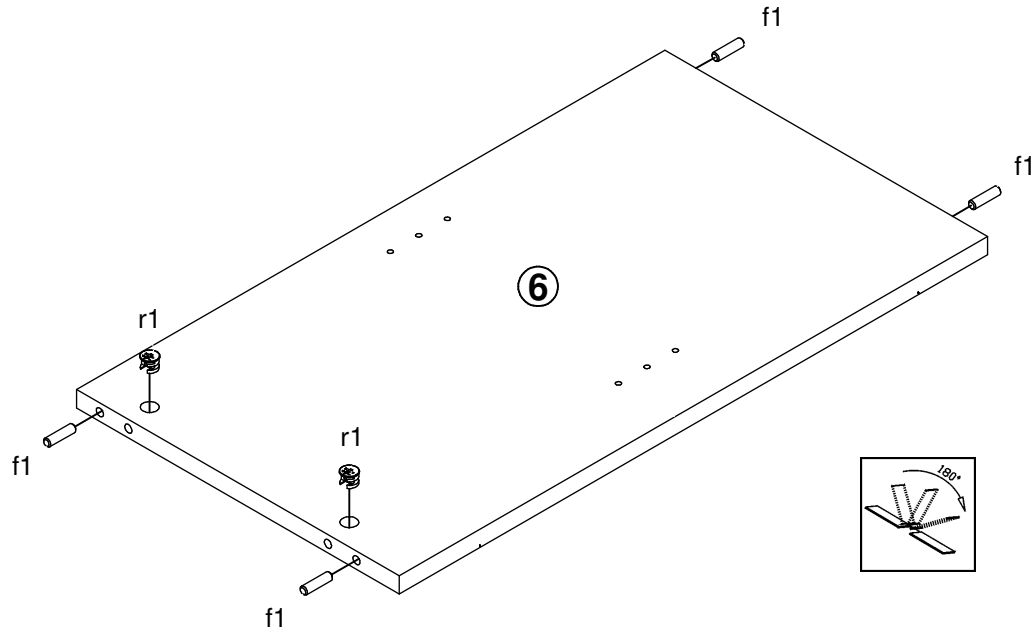



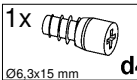
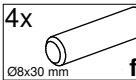

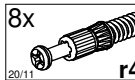


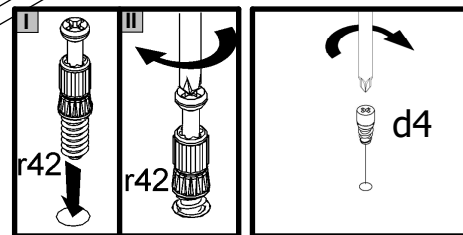
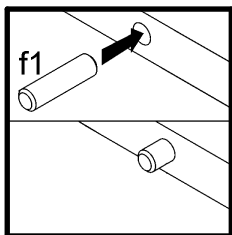
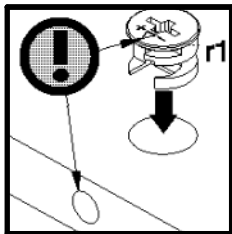
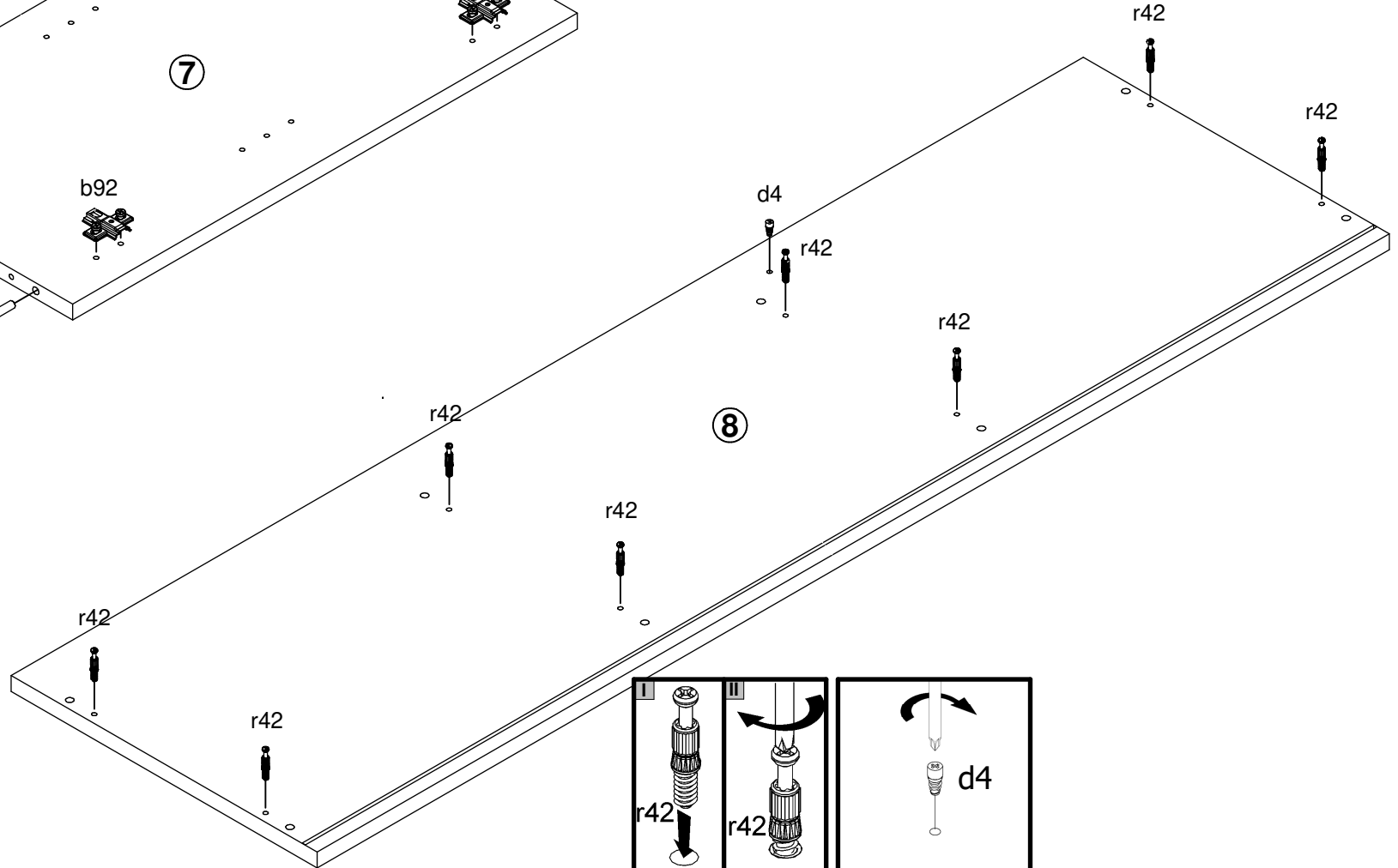
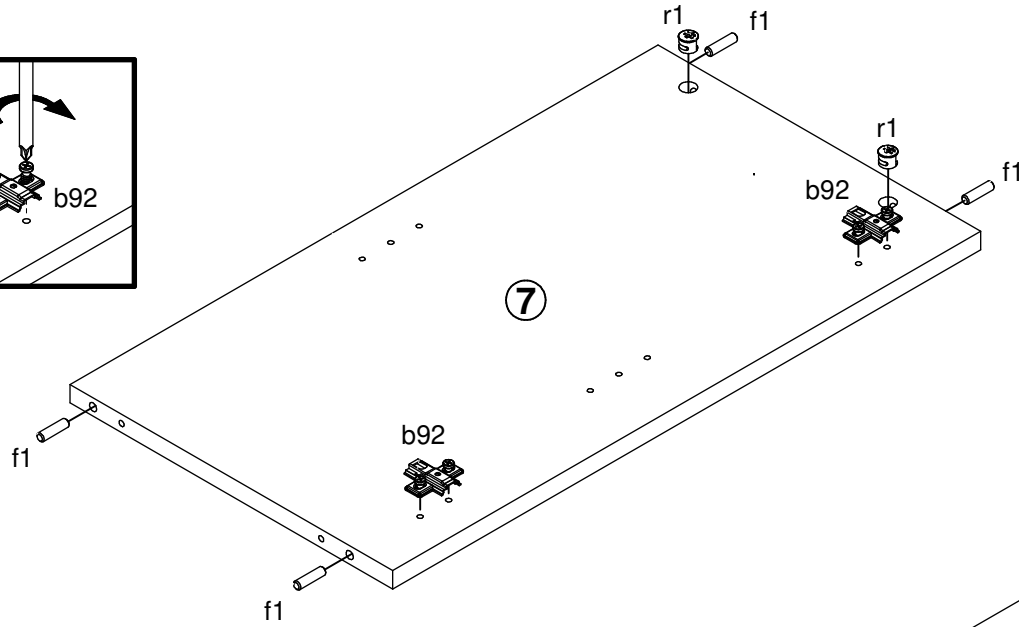
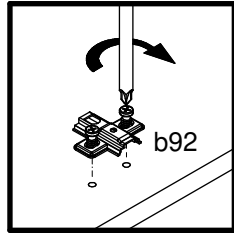
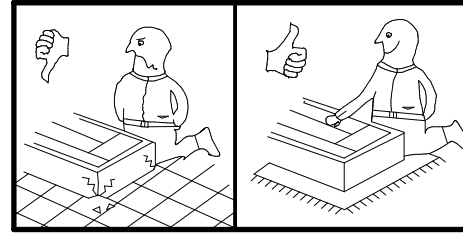
- 1 2x **b102**
- 8x  $\varnothing 6 \times 13 \text{ mm}$  **e3**
- 8x  $\varnothing 8 \times 30 \text{ mm}$  **f1**
- 4x  $\varnothing 15 \times 12 \text{ mm} \#16$  **r1**
- 4x 350 mm **w117\L**



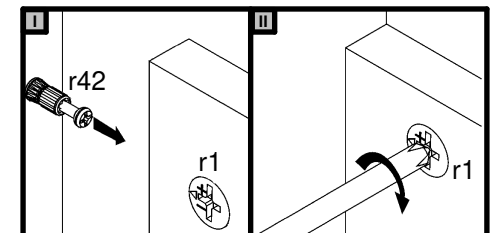
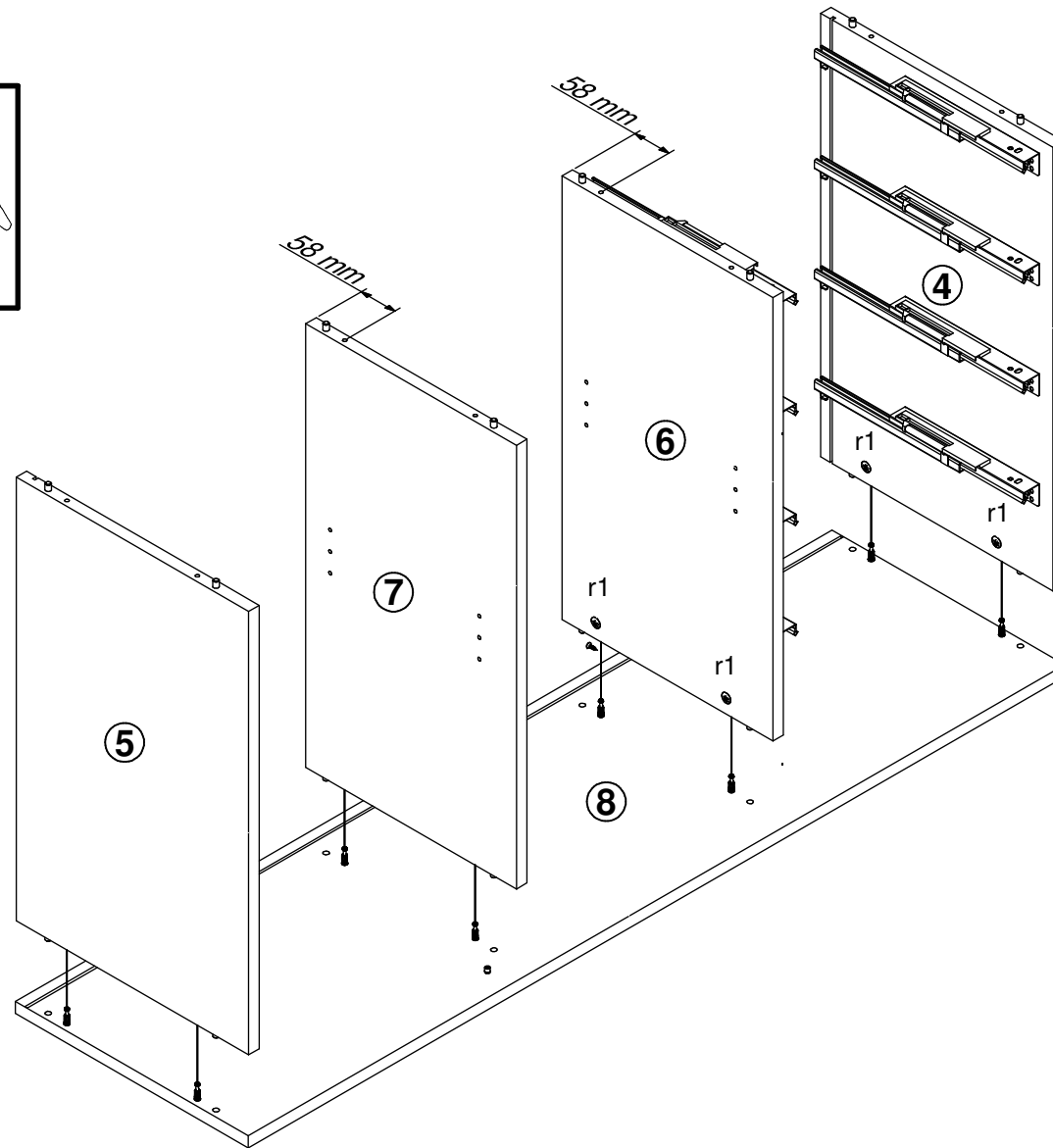
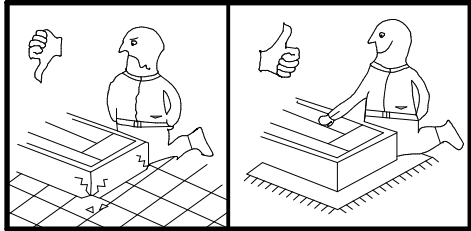
- 2 8x  e3  $\varnothing 6 \times 13$  mm
- 4x  f1  $\varnothing 8 \times 30$  mm
- 2x  r1  $\varnothing 15 \times 12$  mm #16
- 4x  w117P 350 mm





- 3 2x  <sup>A0</sup> b92
- 1x  d4  $\varnothing 6.3 \times 15 \text{ mm}$
- 4x  f1  $\varnothing 8 \times 30 \text{ mm}$
- 2x  r1  $\varnothing 15 \times 12 \text{ mm} \#16$
- 8x  r42  $\varnothing 20 \times 11$

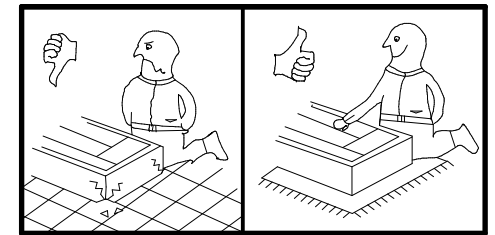
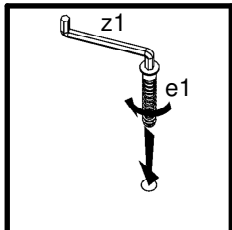
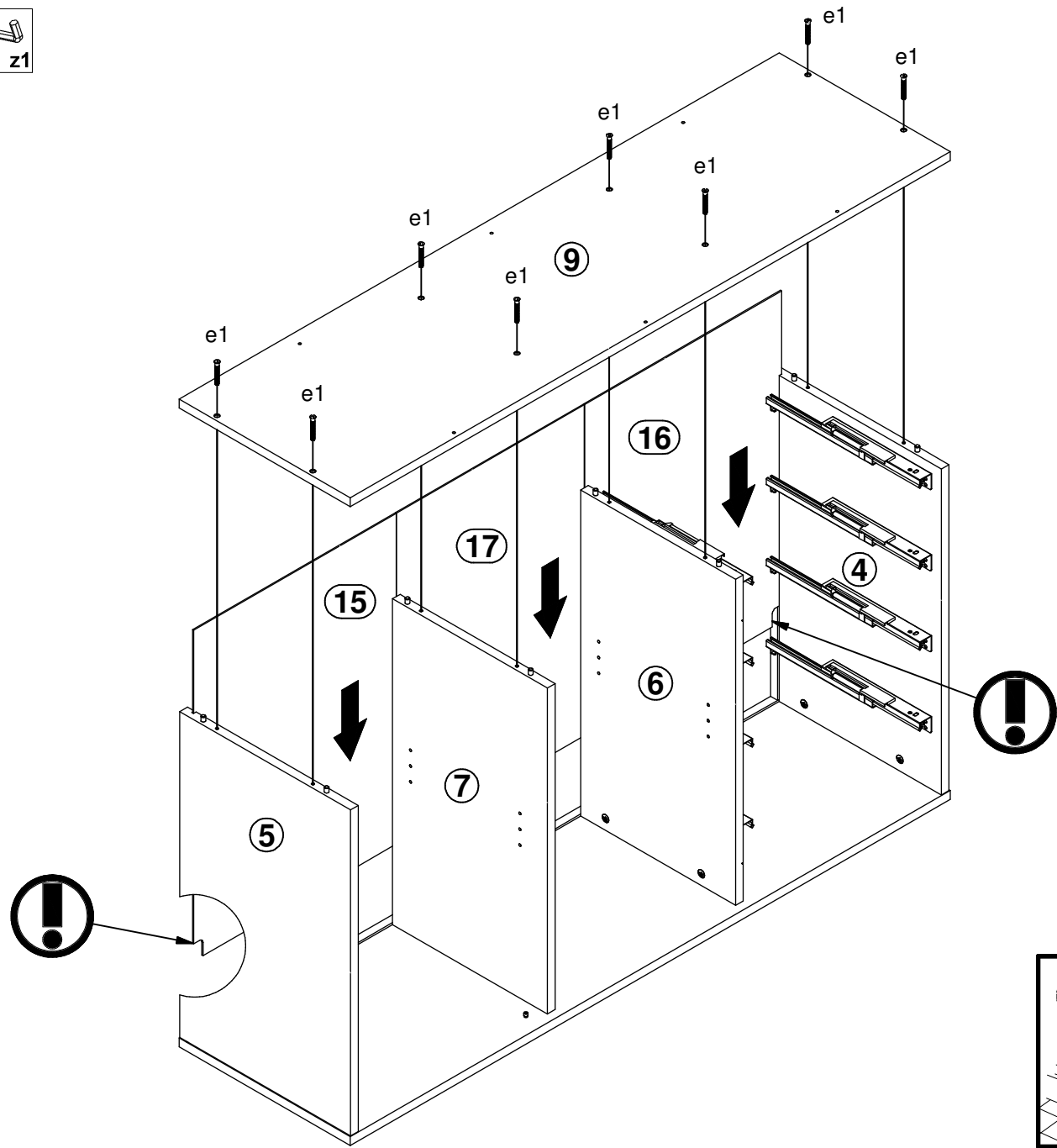


# 4

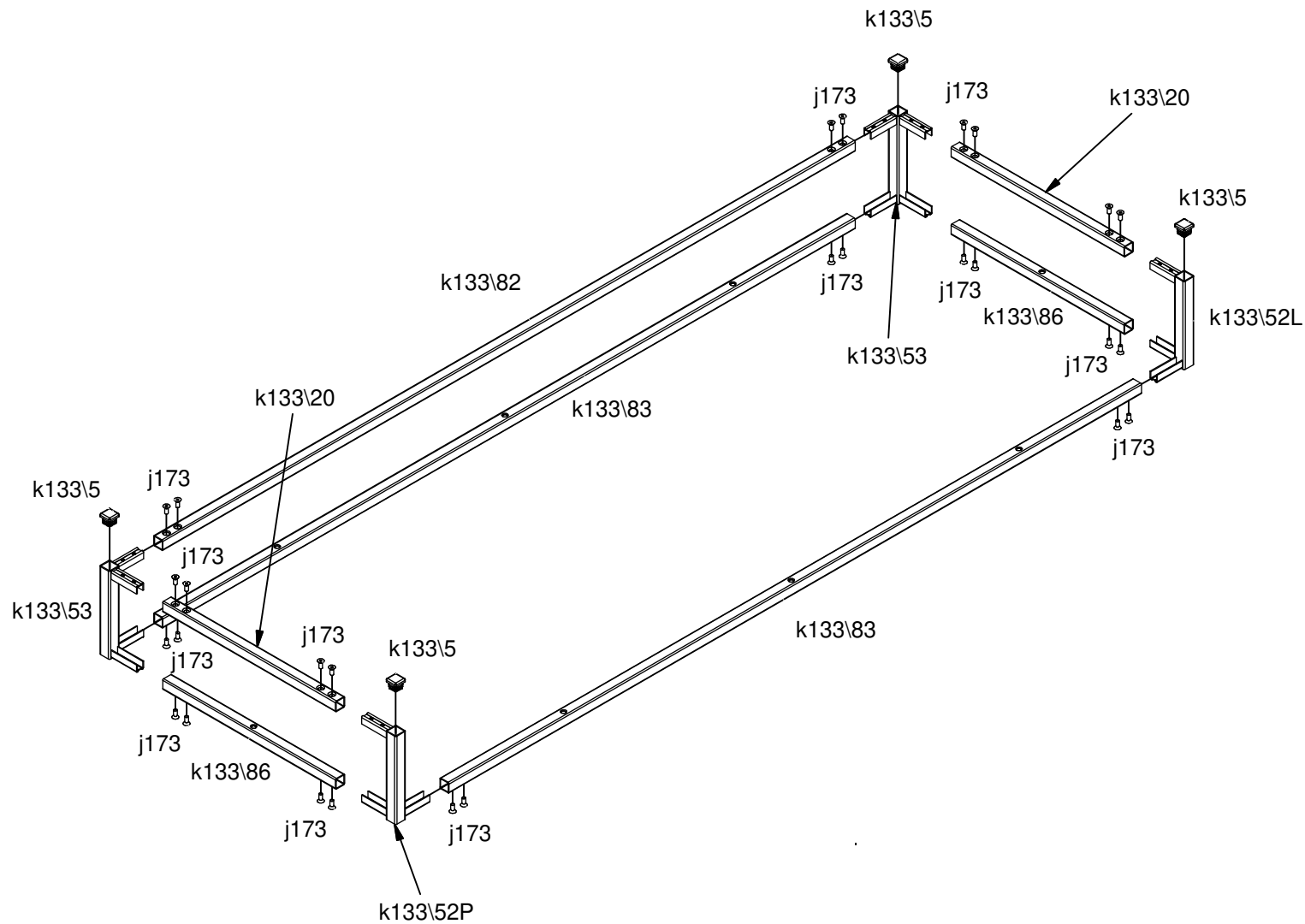


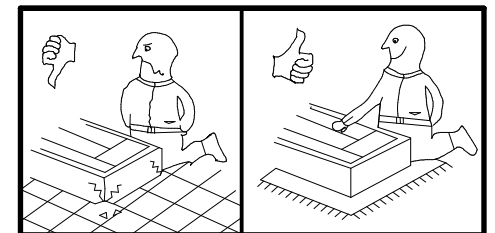
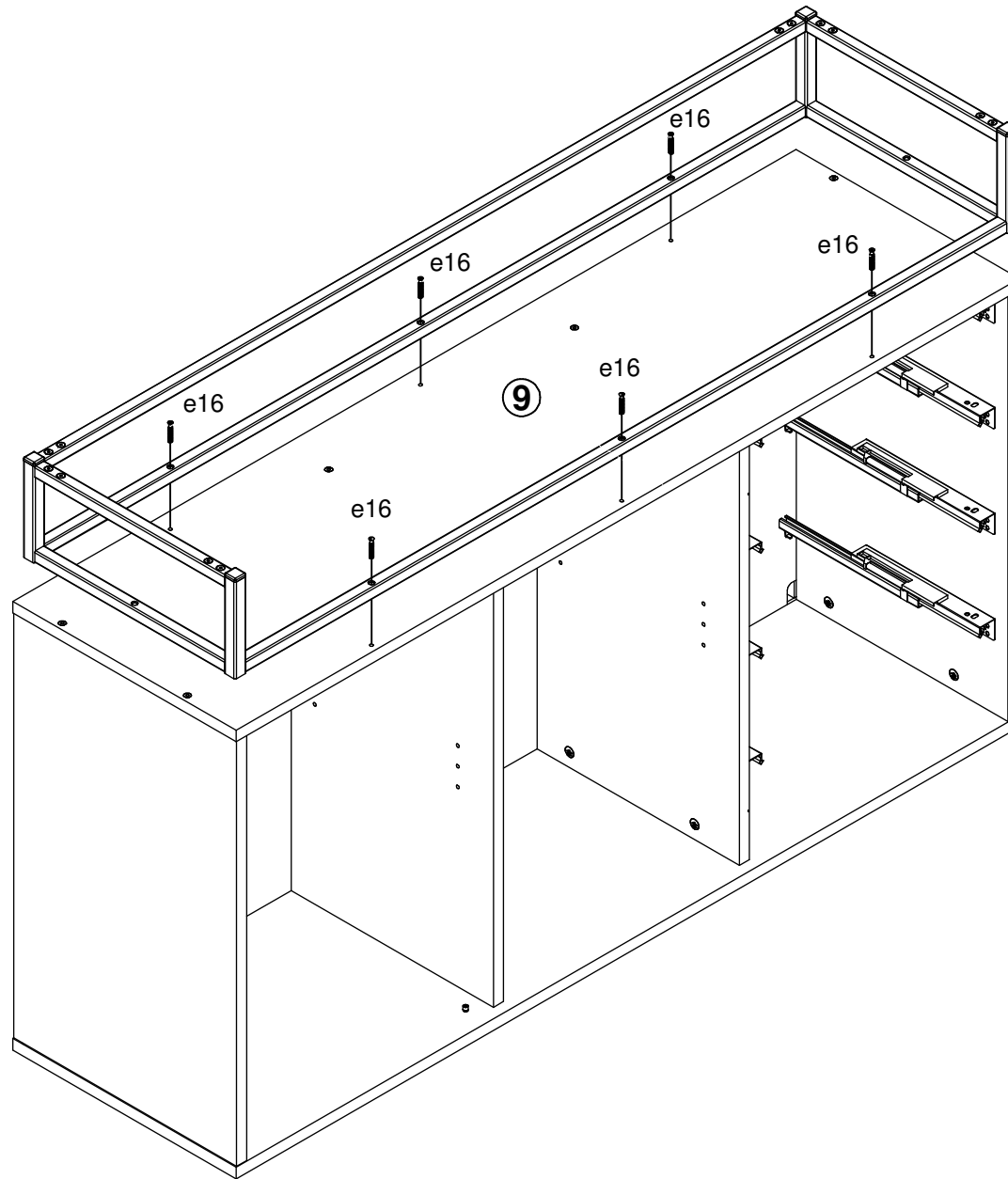
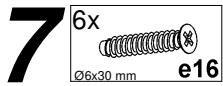


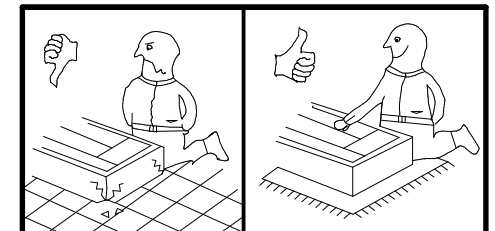
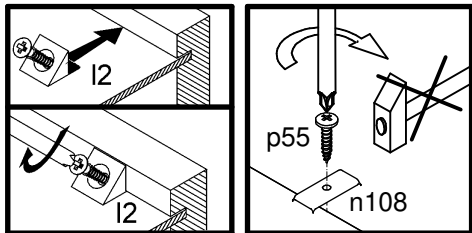
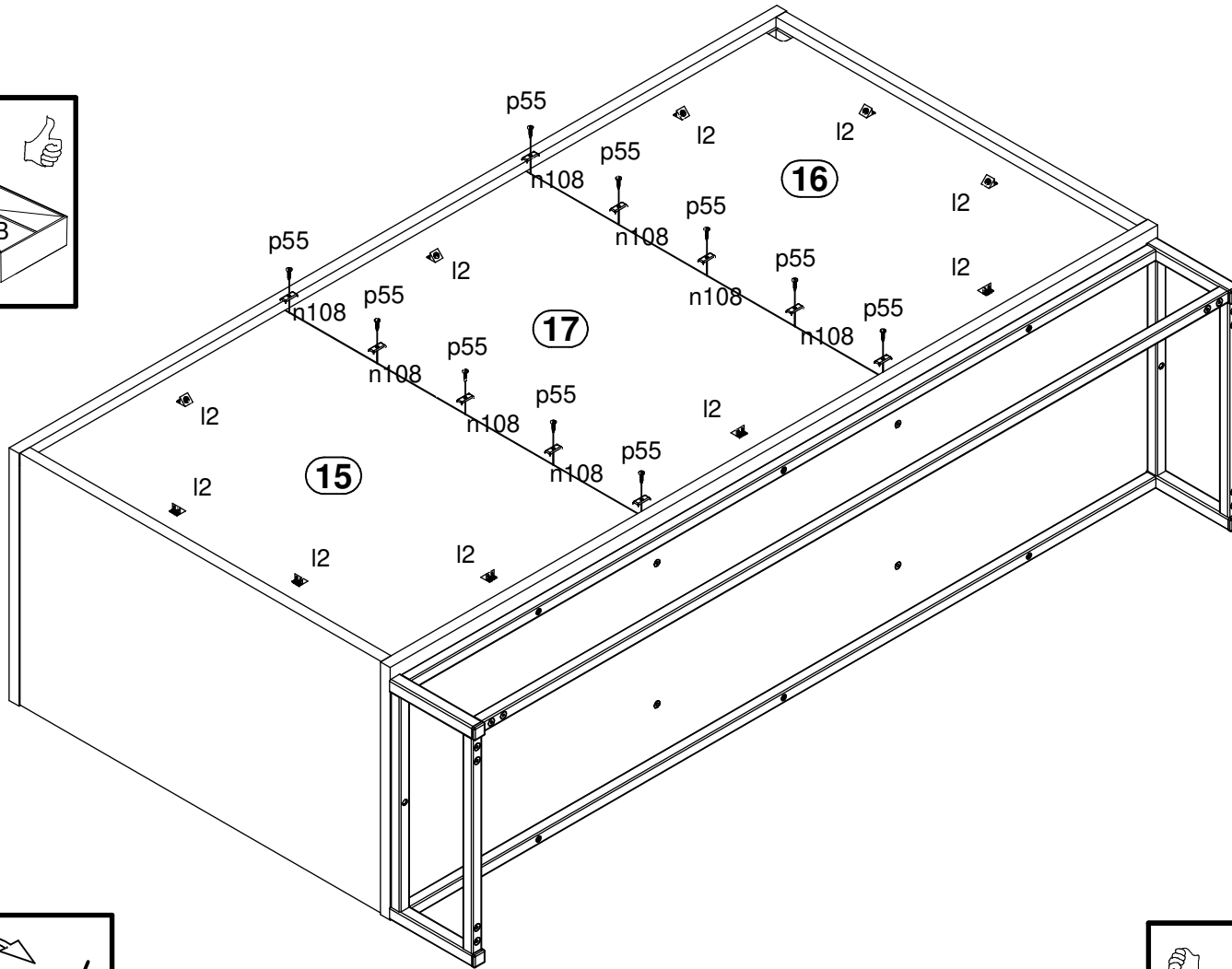
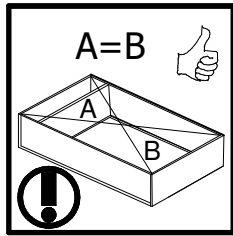
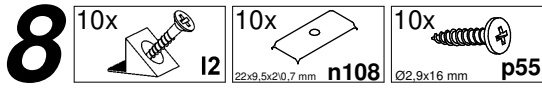
- 5** 8x  e1  
Ø7x50 mm
- 1x  z1  
4 mm








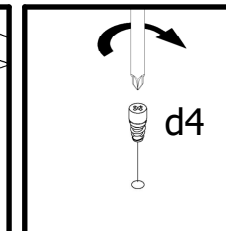
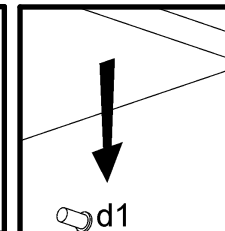
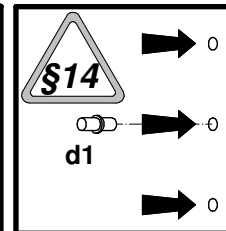
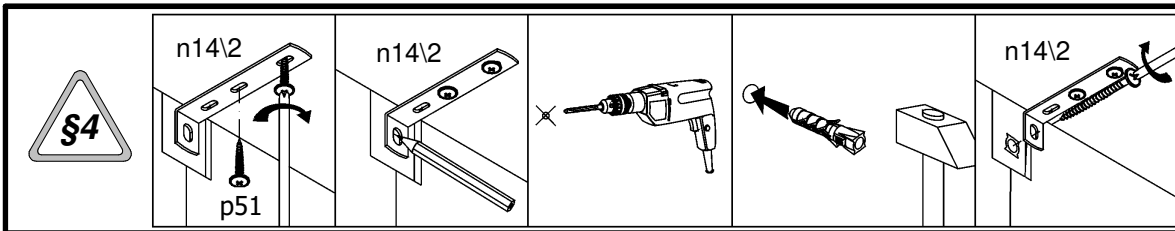
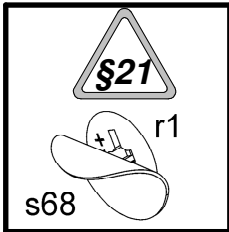
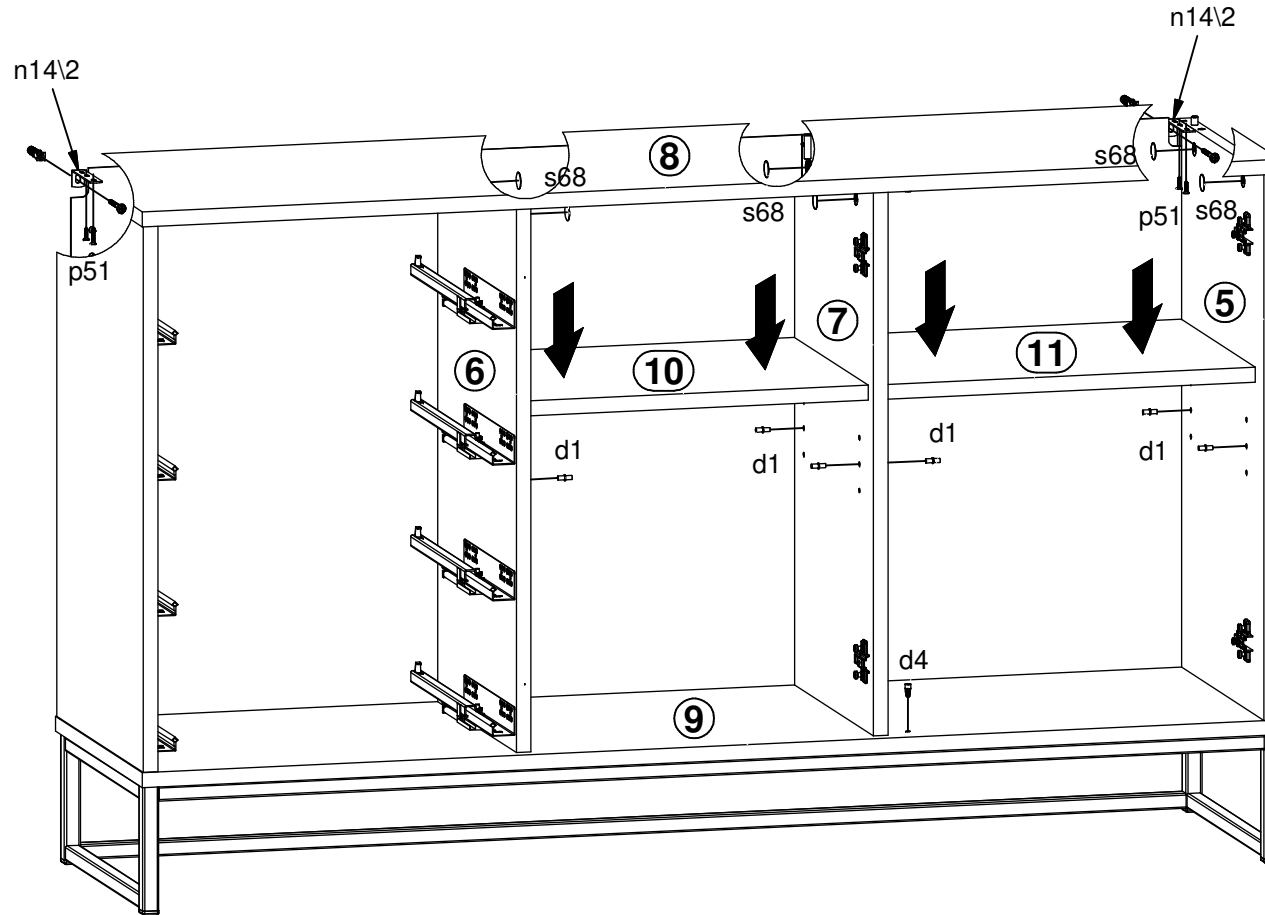
- 6 28x M5x12 mm j173
- 1x k133\52L
- 1x k133\52P
- 2x k133\53
- 2x L-340mm 18x18 k133\20
- 2x L-340mm 18x18 k133\86
- 4x 20x20 k133\5
- 1x L-1362mm 18x18 k133\82
- 2x L-1362mm 18x18 k133\83
- 1x 3 mm z22



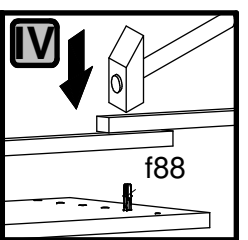
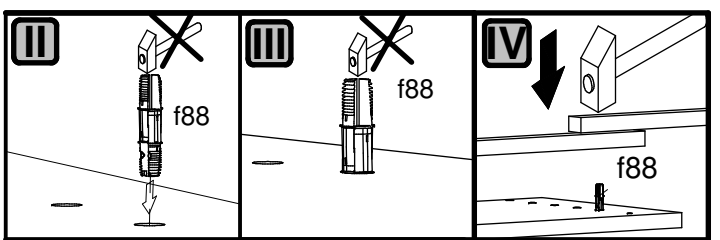
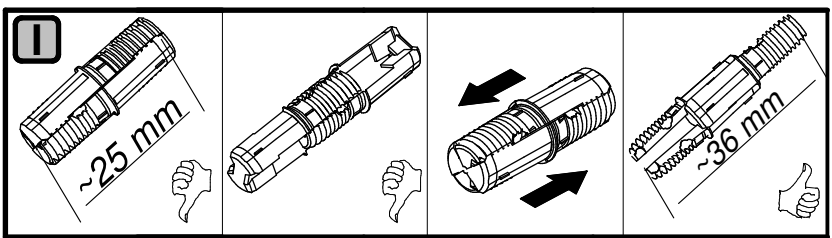
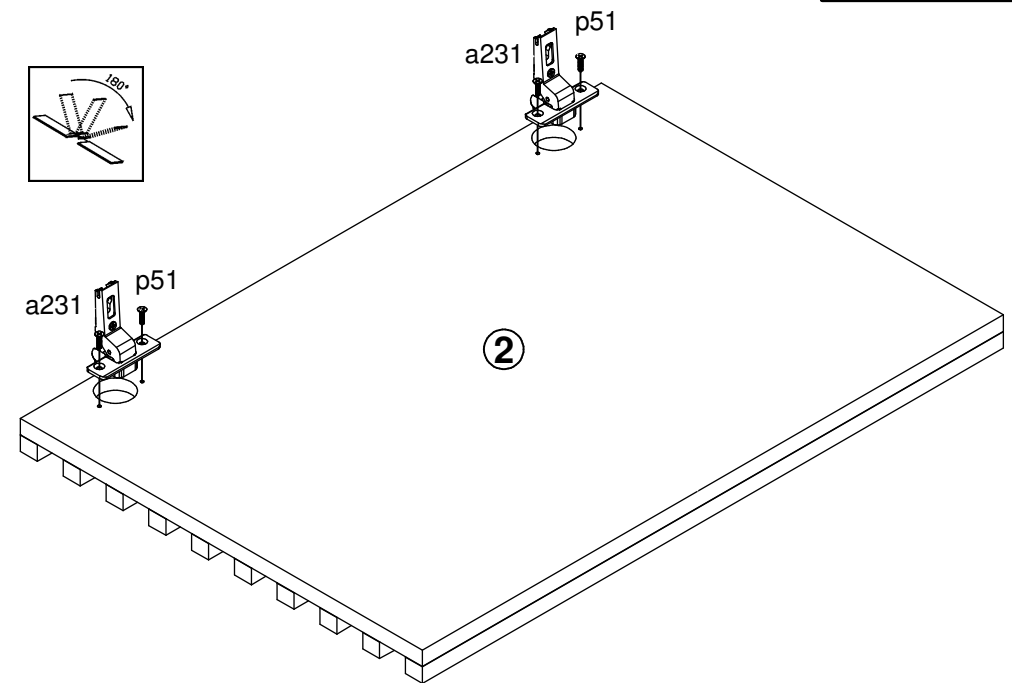
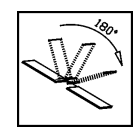
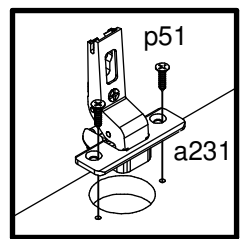
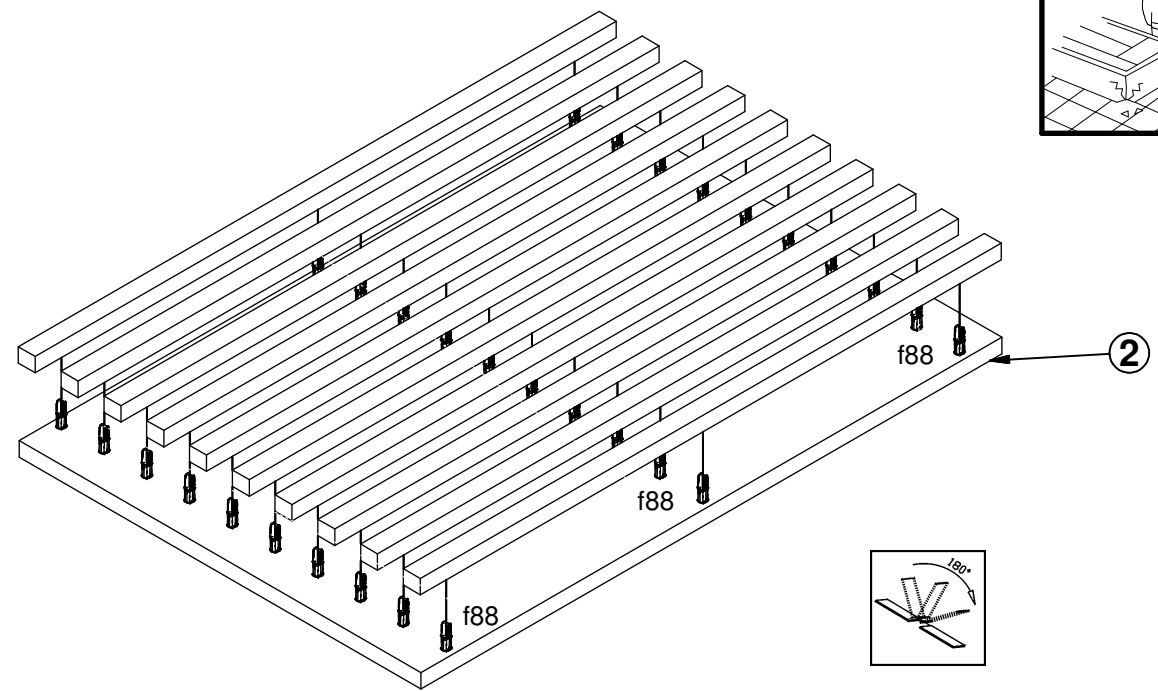
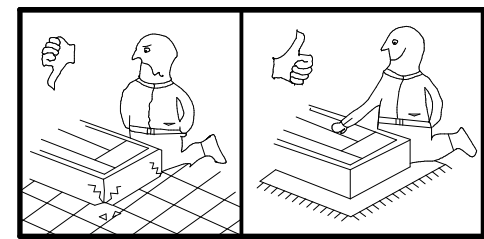
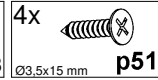
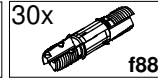



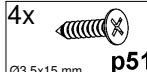


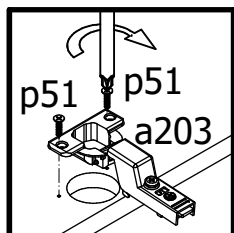
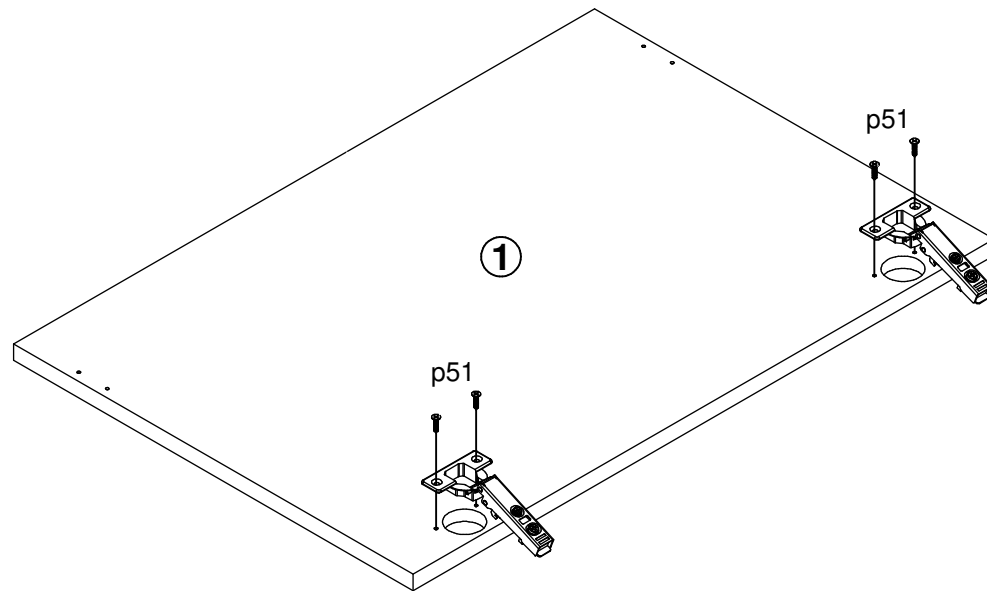
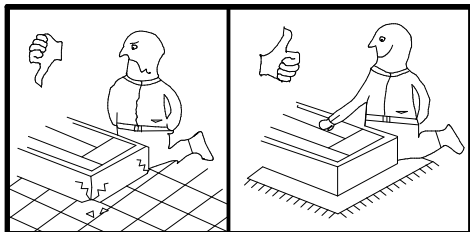
- 9** 8x  **d1** 1x  **d4** 2x  **n14/2** 4x  **p51** 6x  **s68**



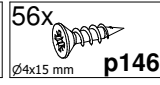
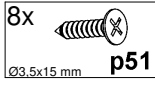
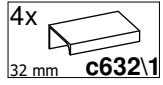
10



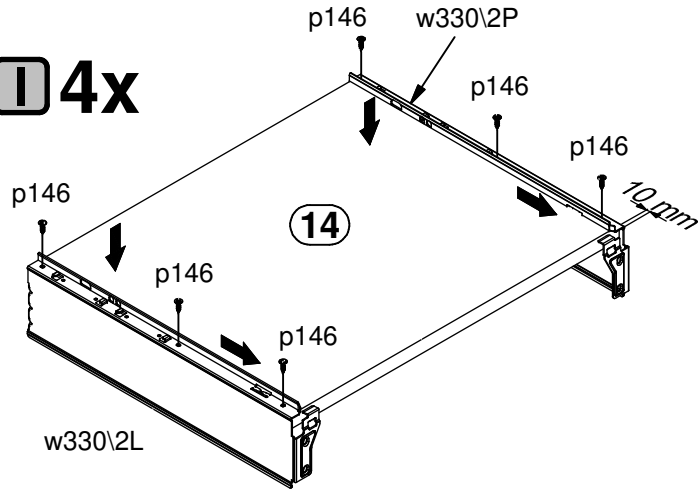
**11** 2x  hamulec a203 4x  p51 Ø3,5x15 mm



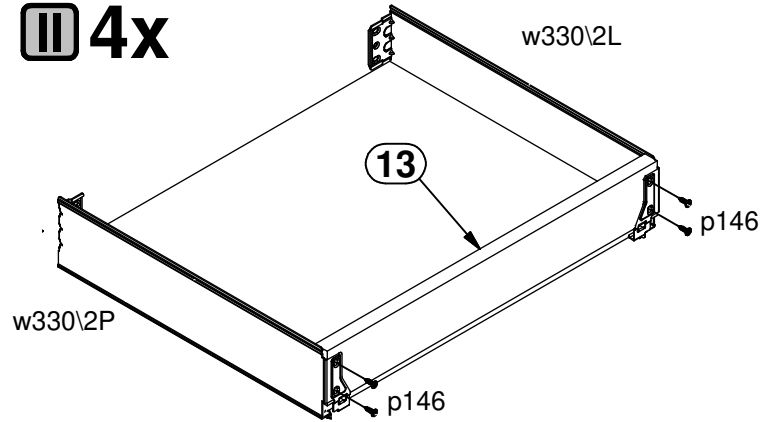
12



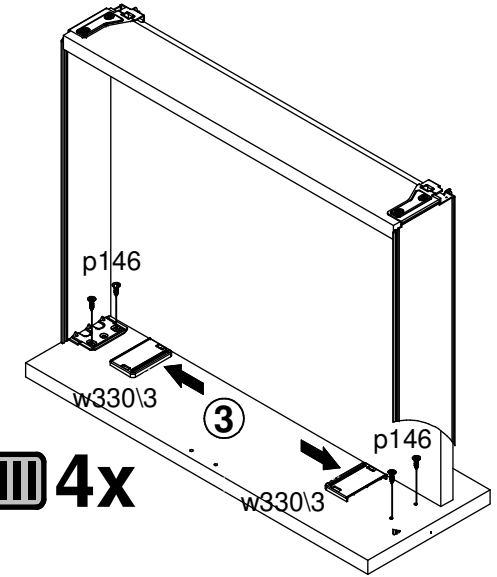
I 4x



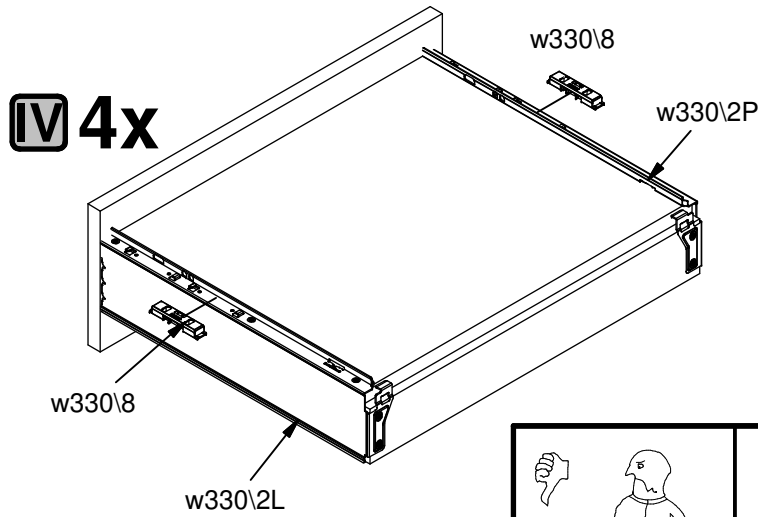
II 4x



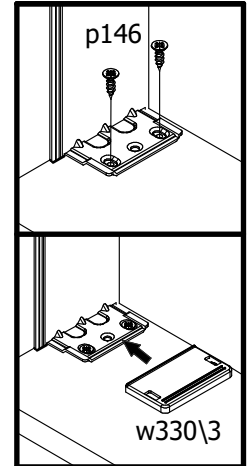
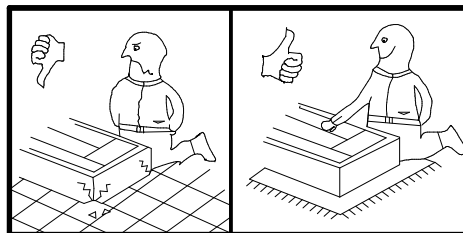
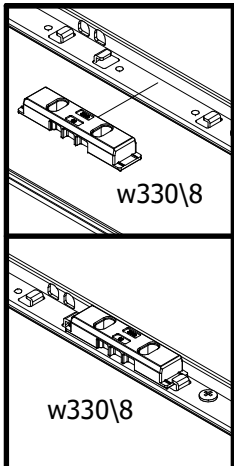
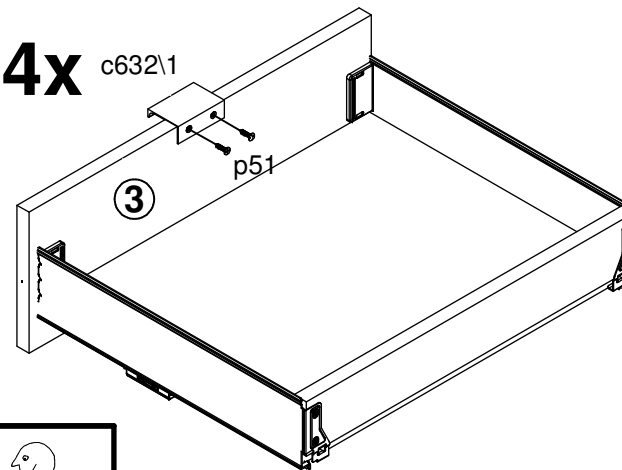
III 4x



IV 4x



V 4x





13

1x  
32 mm c632\1

2x  
Ø3.5x15 mm p51

