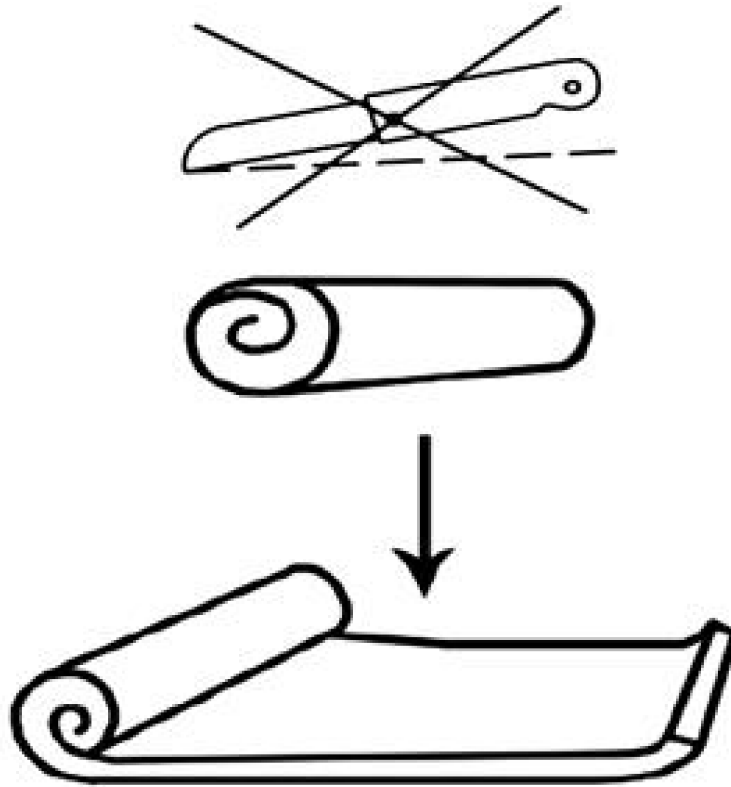
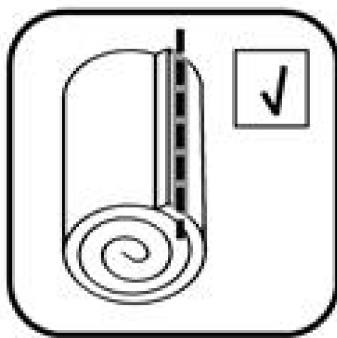
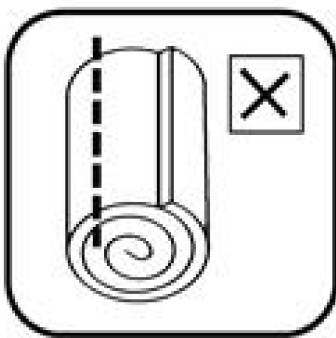
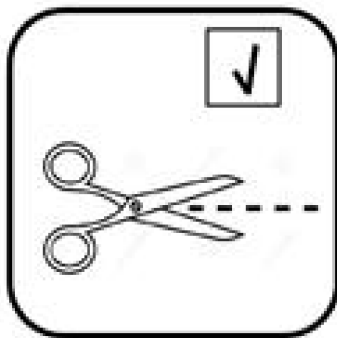
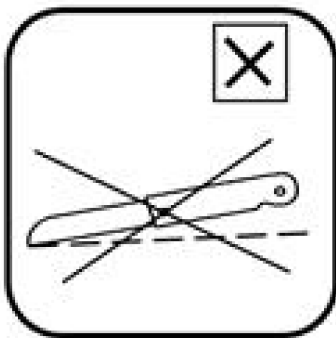
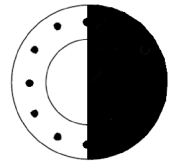
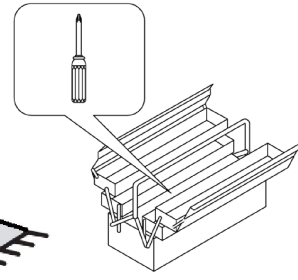
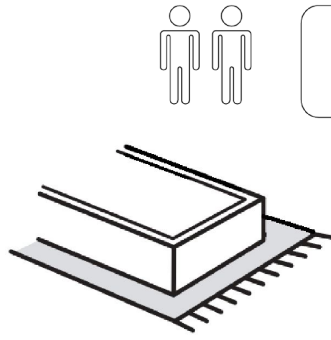
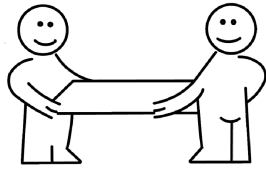


# *UTAH*

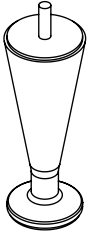
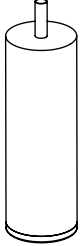
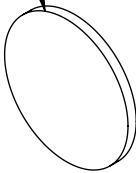
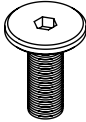
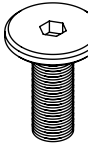
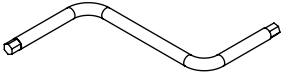
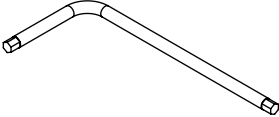
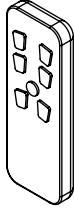
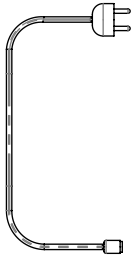


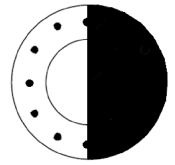
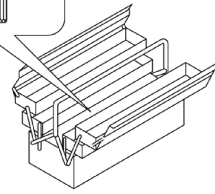
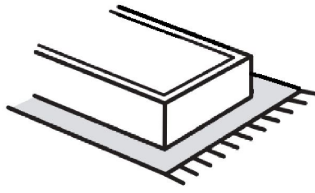
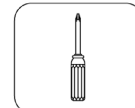
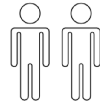
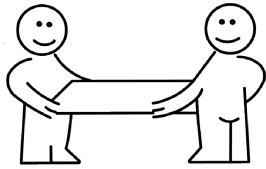
✓ **72h**



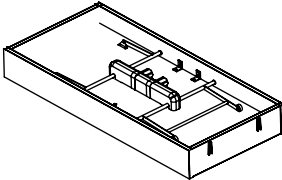
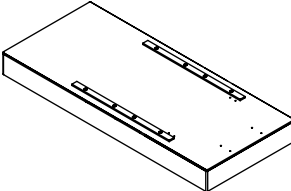
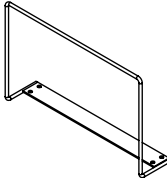
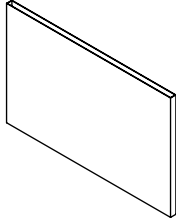
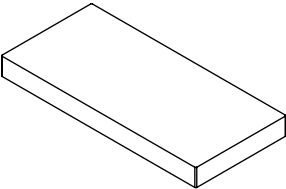
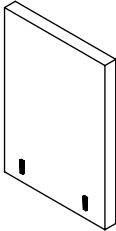
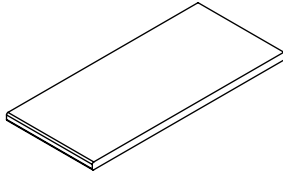


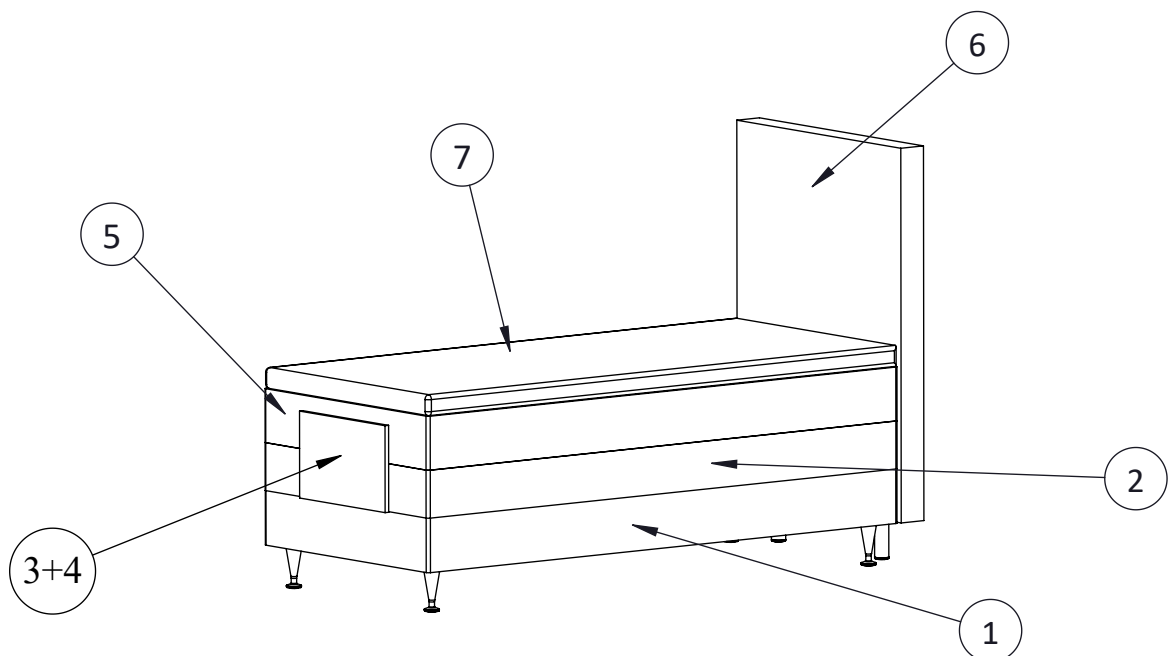
60 min

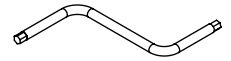
			
<p>A x 4</p>	<p>B x 2</p>	<p>C x 6</p>	<p>D x 8</p>
			
<p>E x 4</p>	<p>F x 1</p>	<p>G x 1</p>	<p>H x 1</p>
			
<p>I x 1</p>			



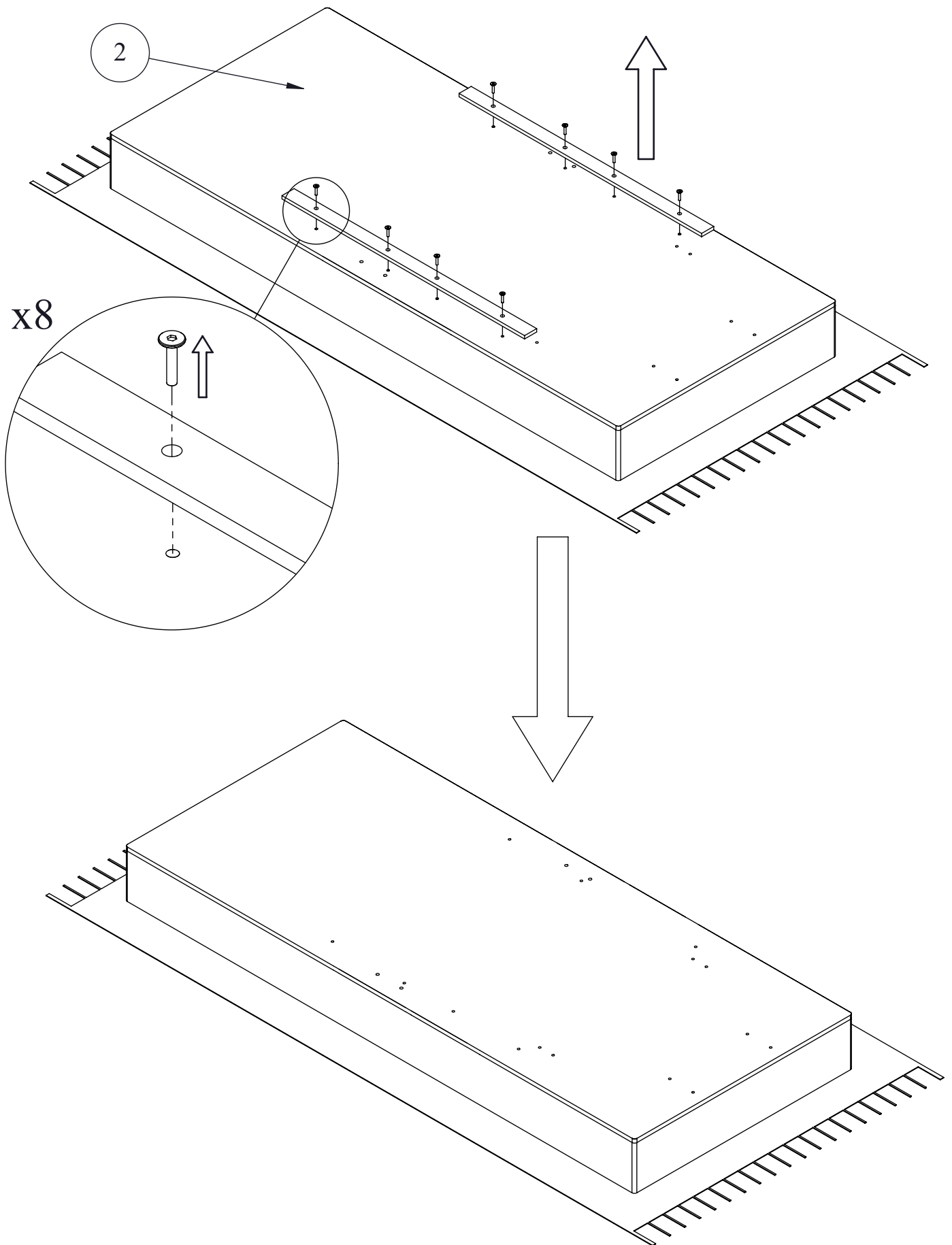
60 min

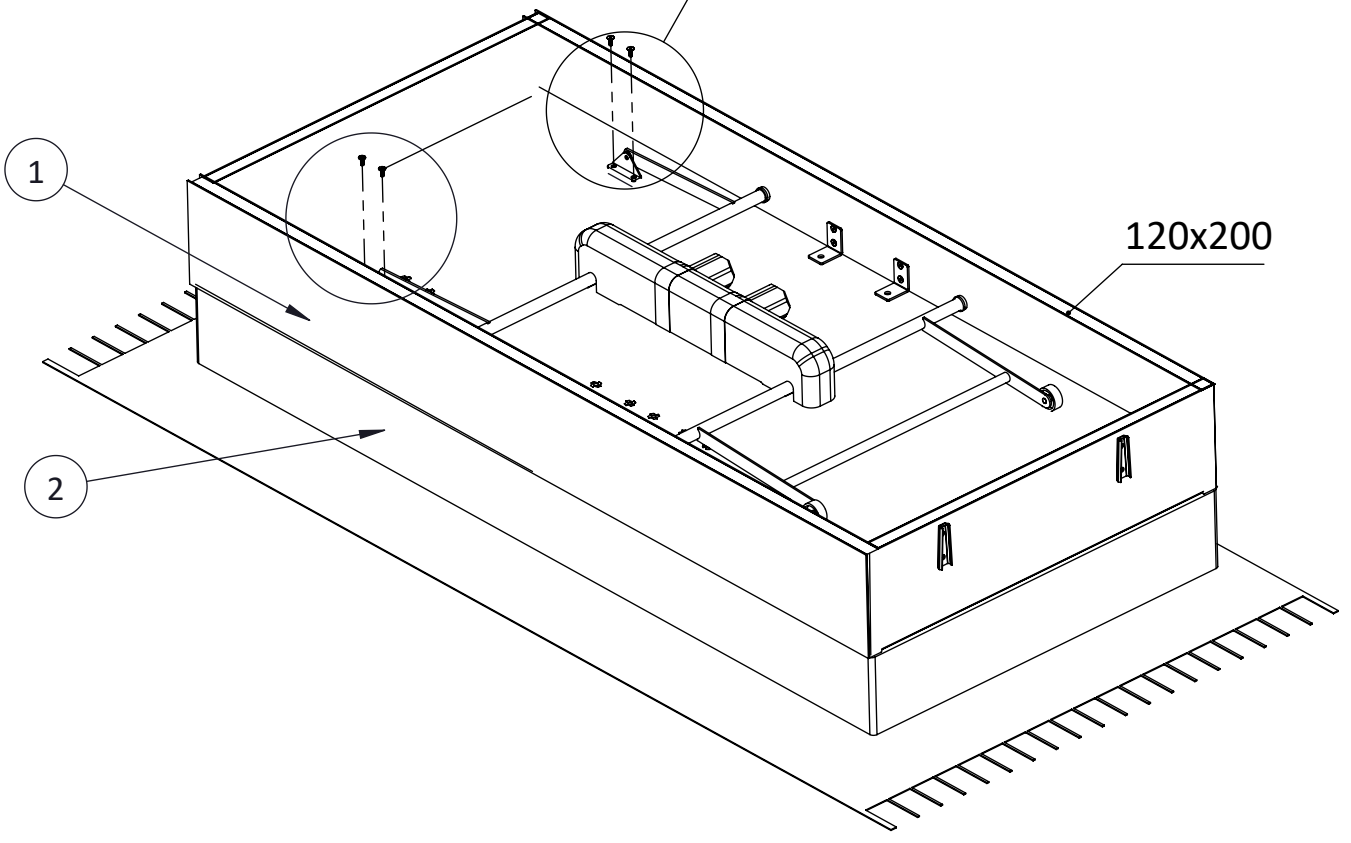
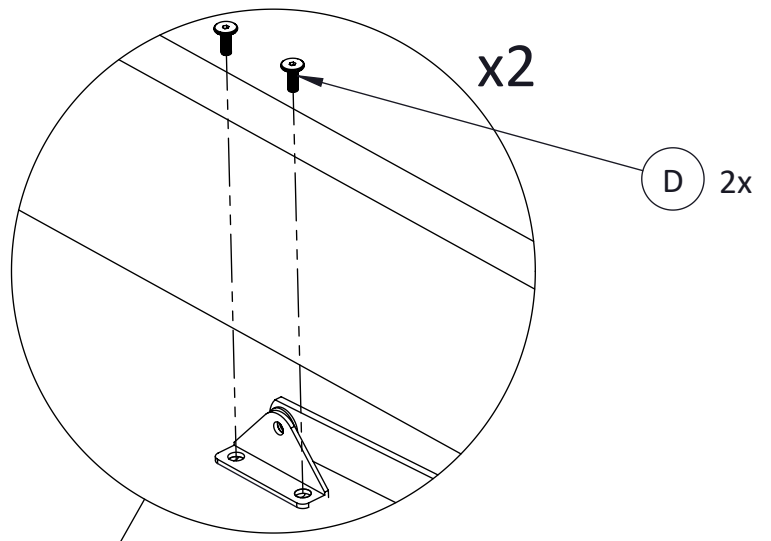
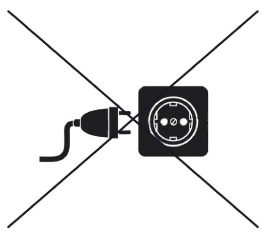
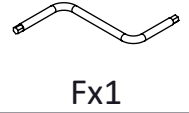
			
① x 1 (C1)	② x 1 (C2)	③ x 1 (C2)	④ x 1 (C2)
			
⑤ x 1 (C3)	⑥ x 1 (C4)	⑦ x 1 (C5)	



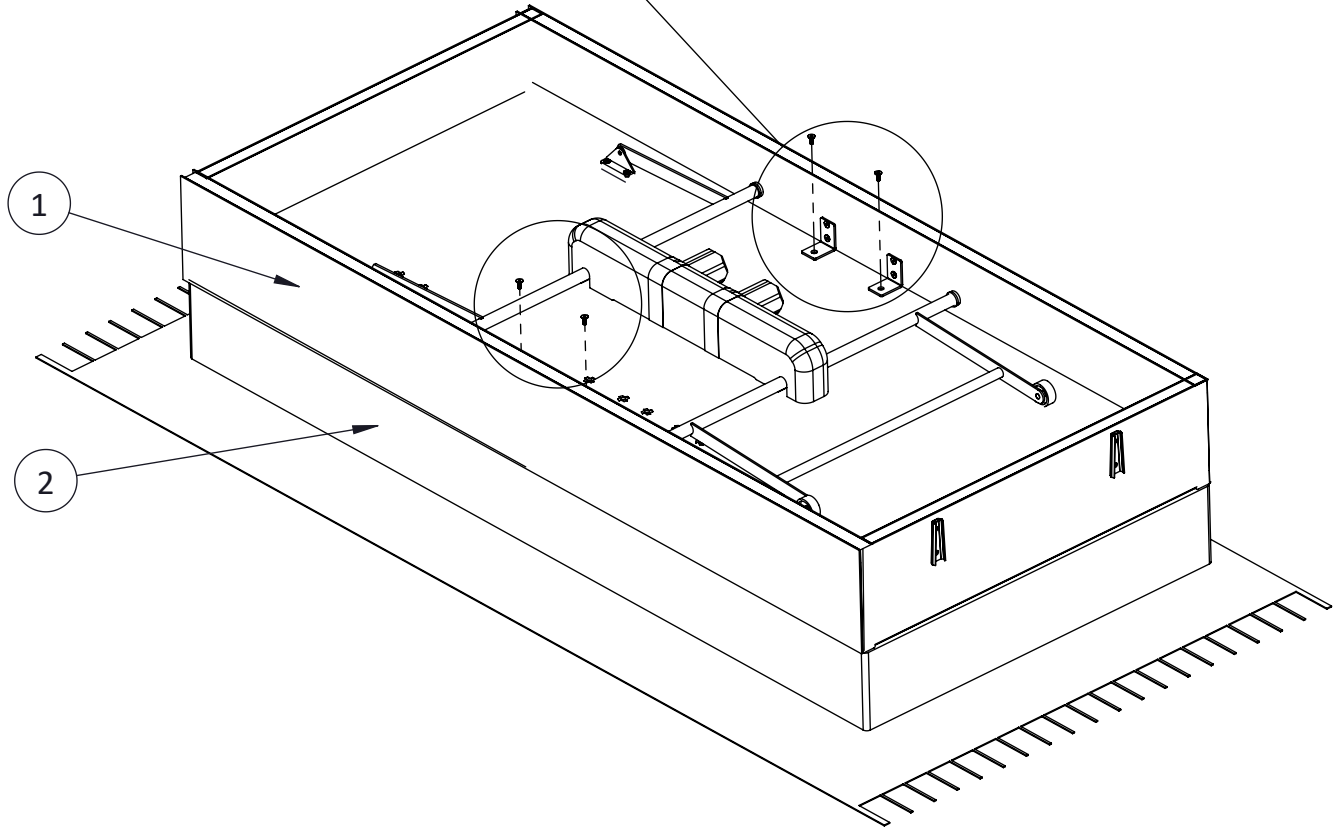
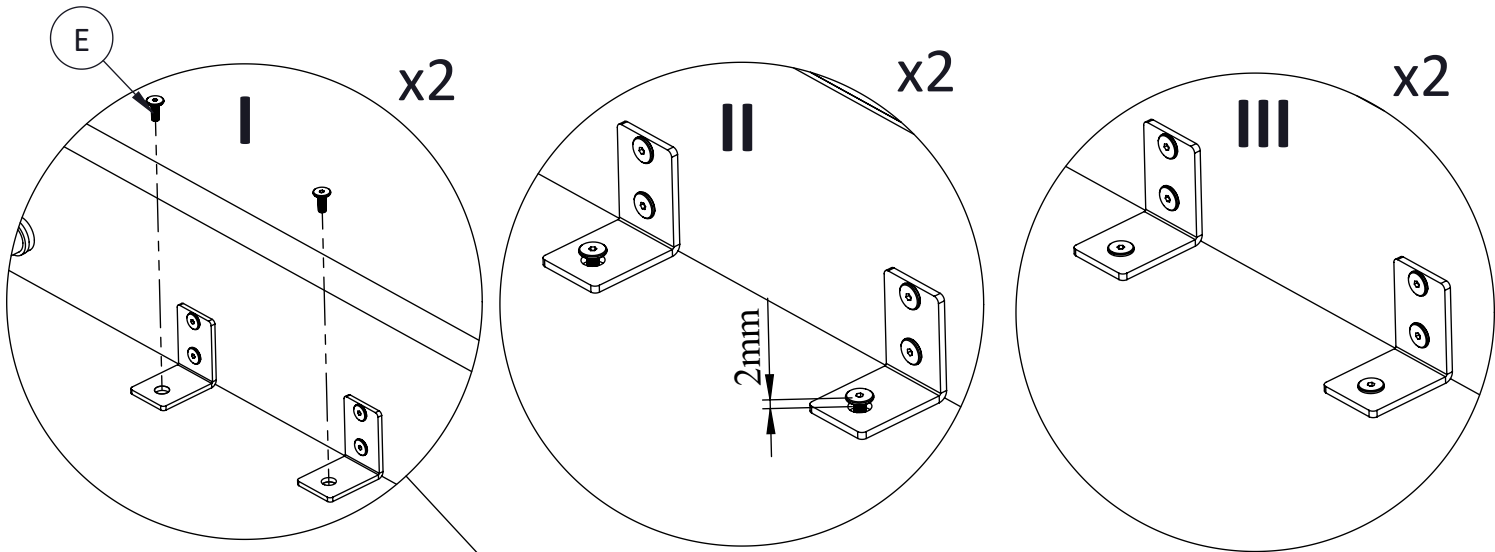


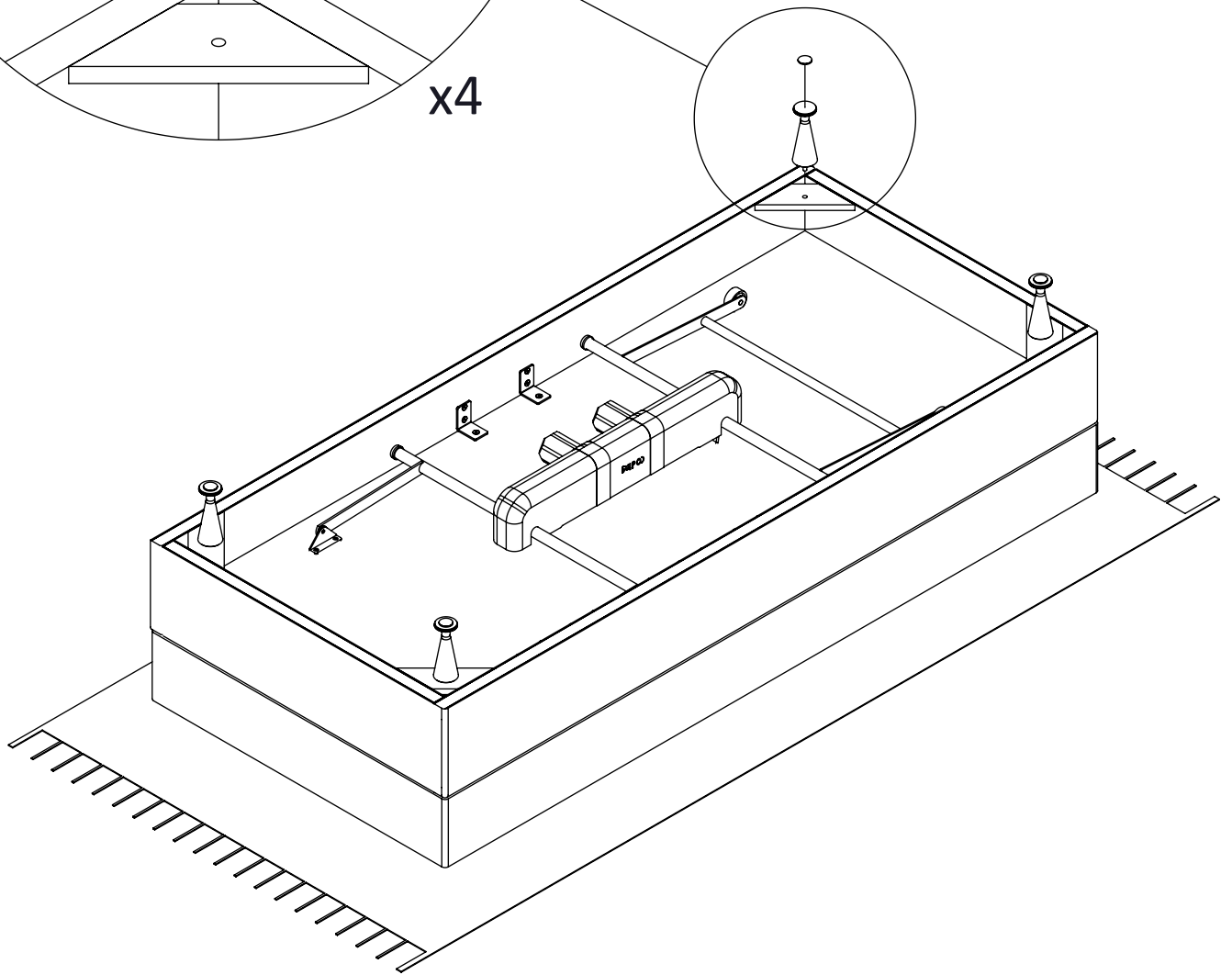
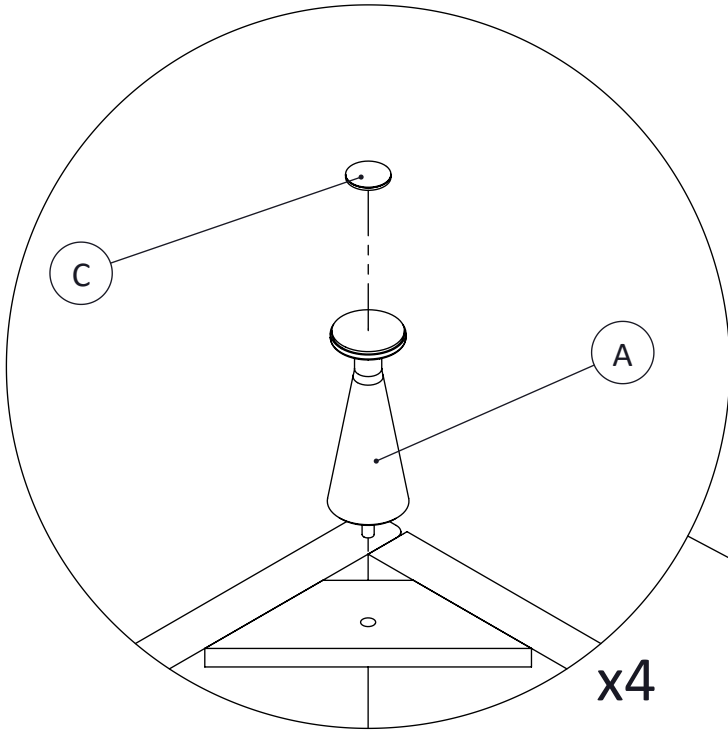
Fx1

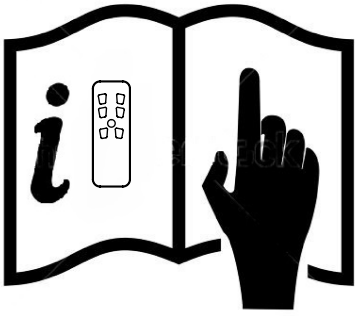
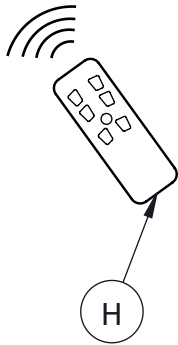
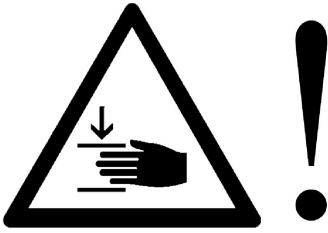




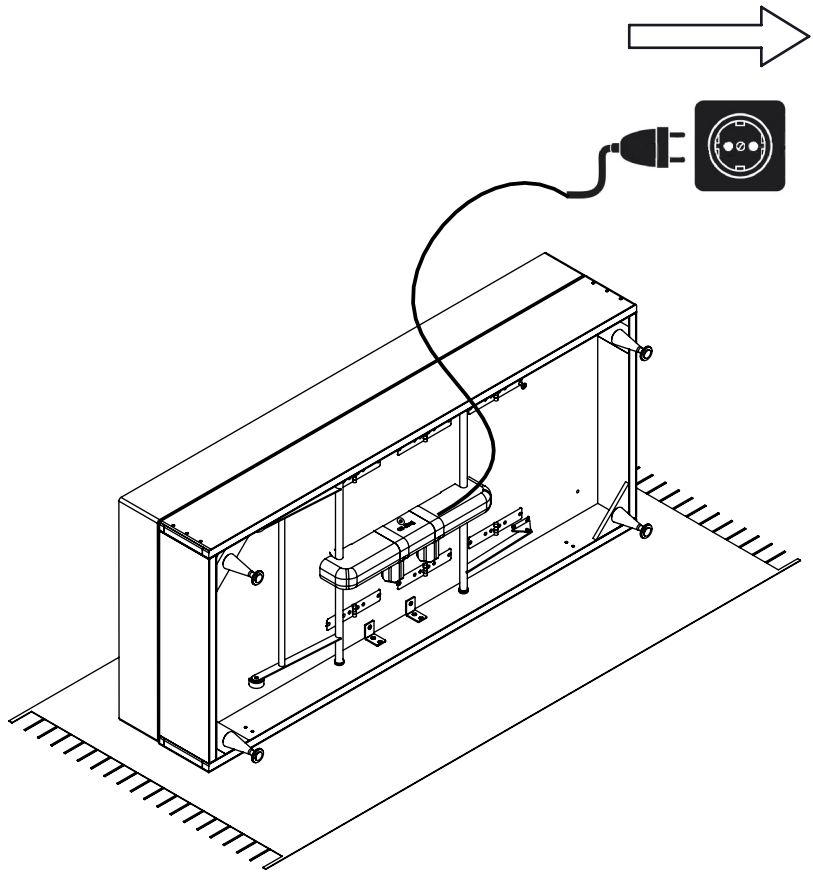
 <p>M8x16 Ex4</p>	 <p>Gx1</p>
-------------------------------------------------------------------------------------------------------	------------------------------------------------------------------------------------------------

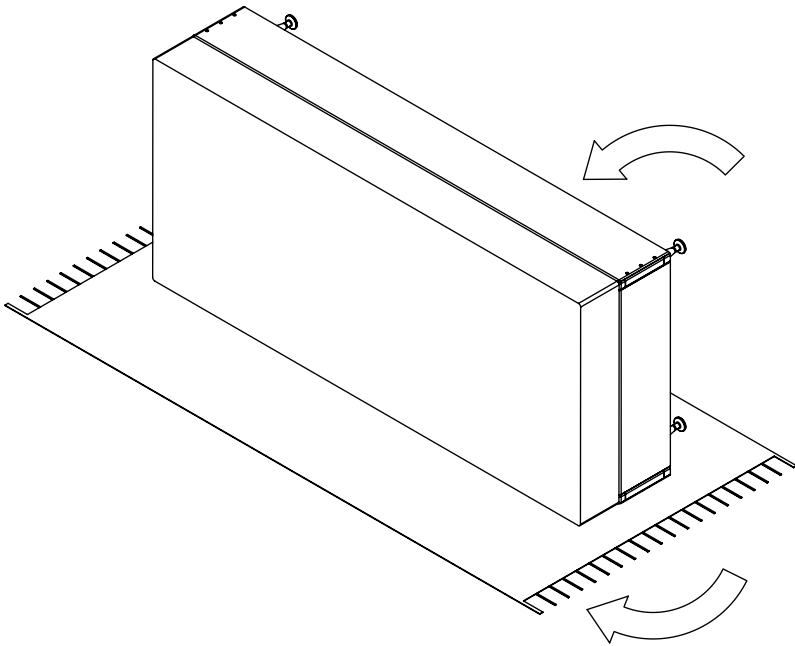
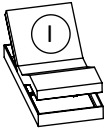




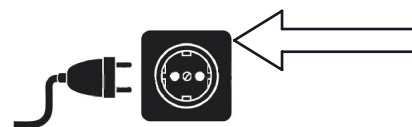
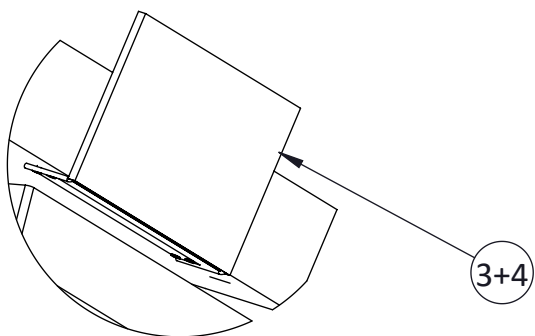
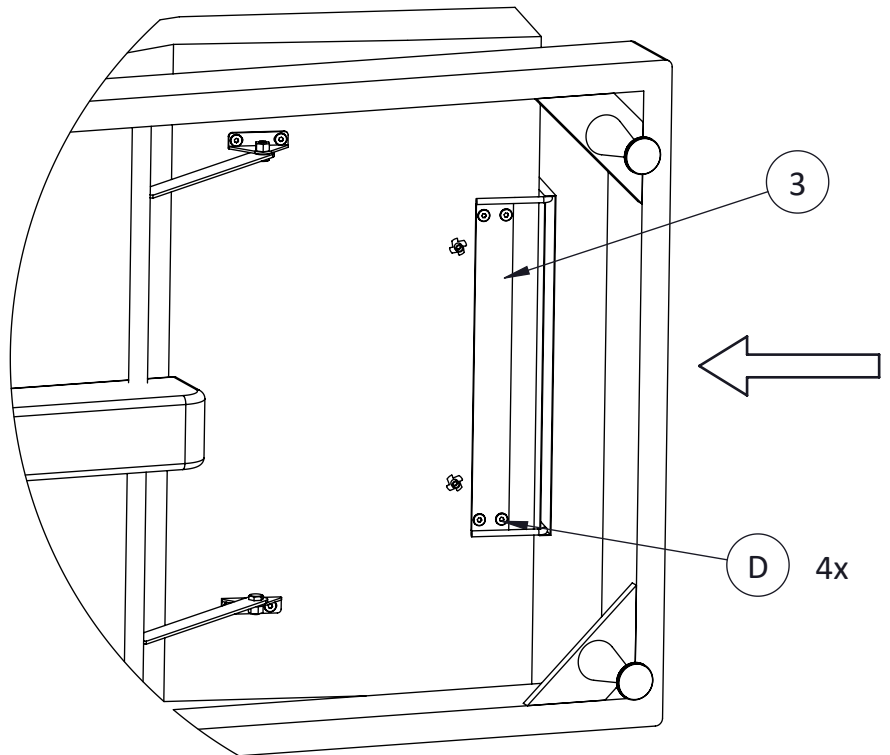
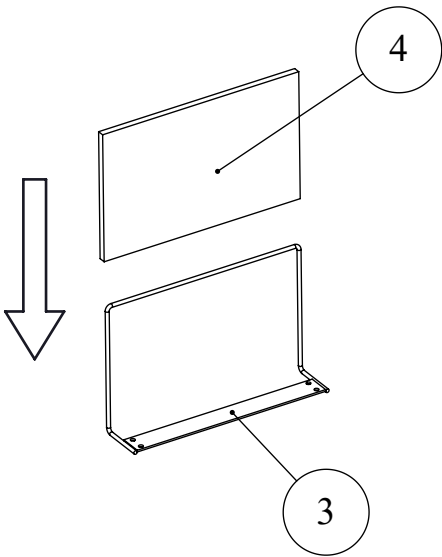
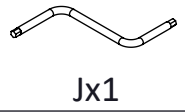
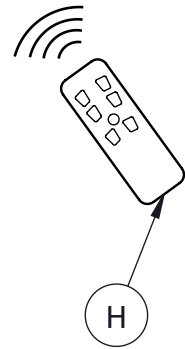


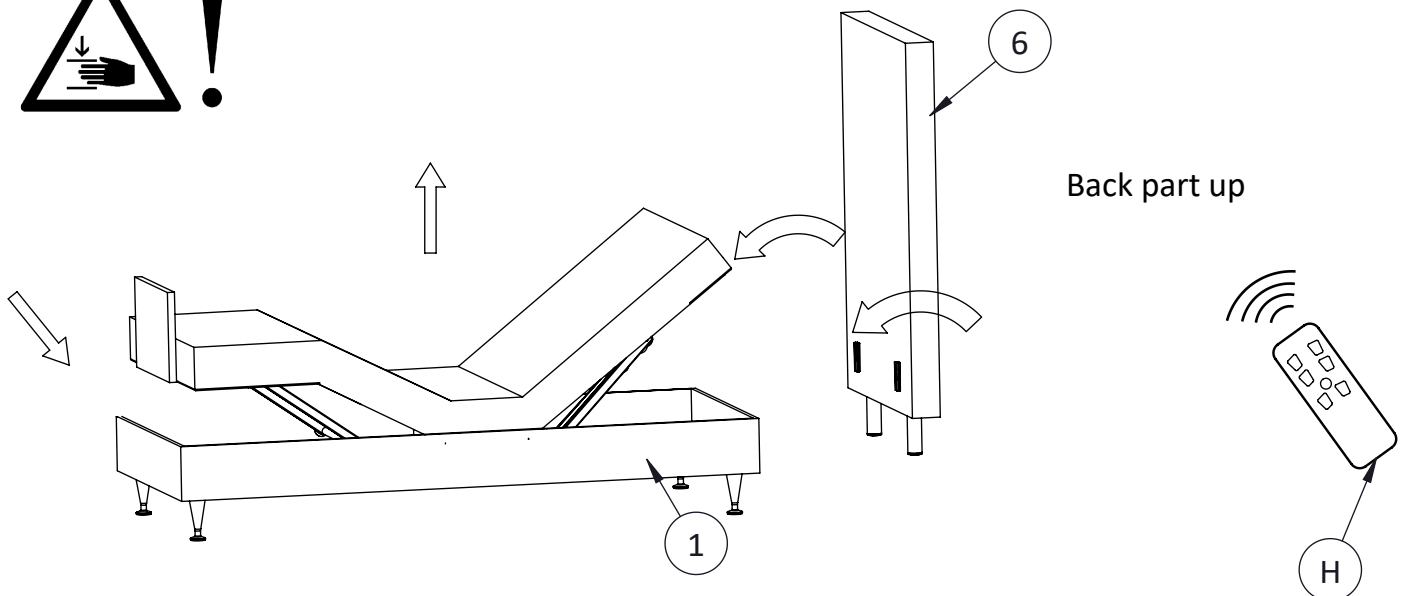
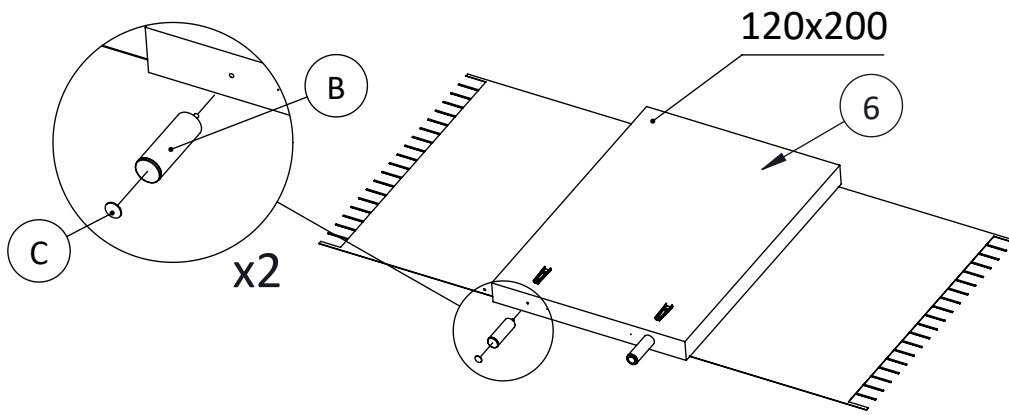
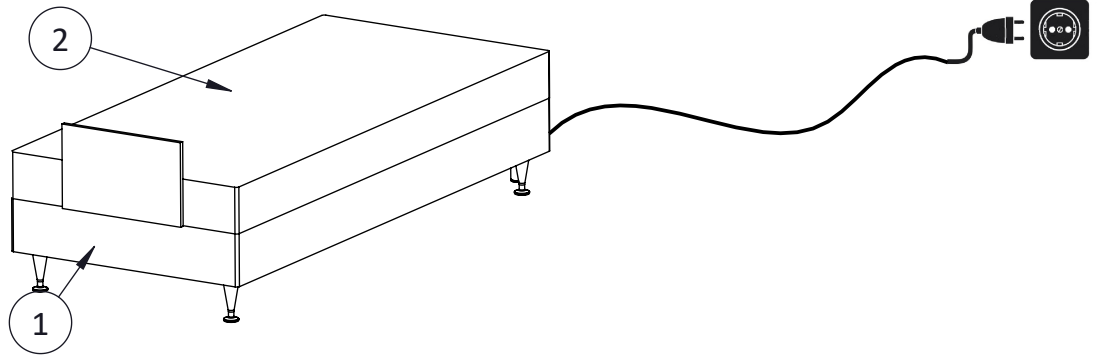
SEE PAGE 13-17

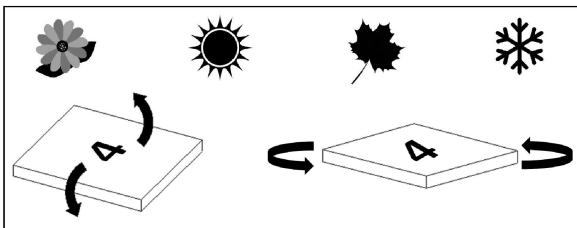
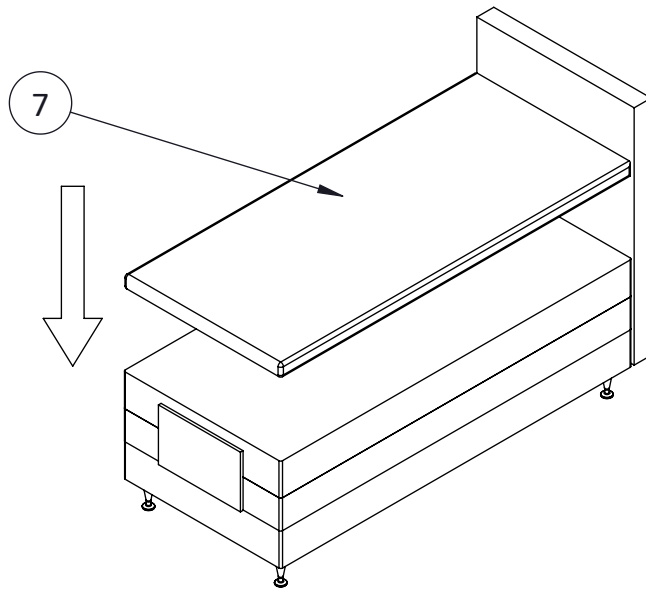
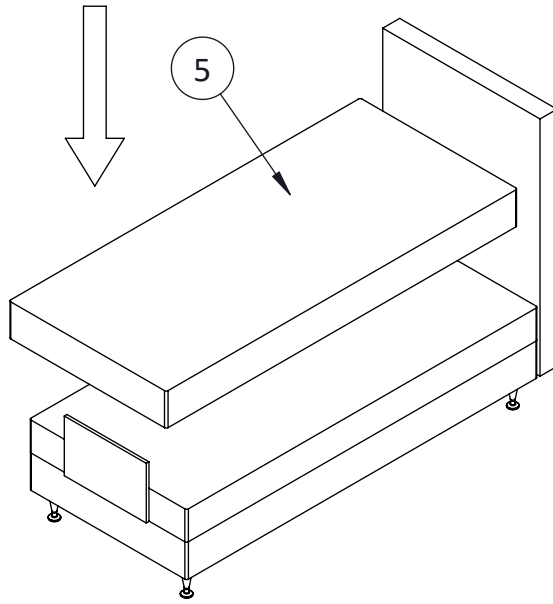
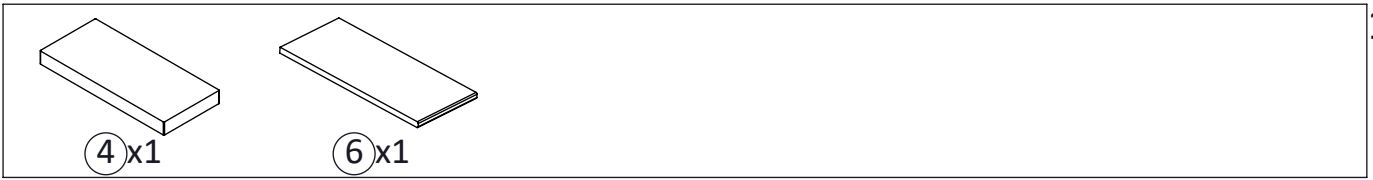




Foot part up







## Important information



### Warning!

Failure to comply with these instructions may result in accidents involving serious personal injury.



Failing to follow these instructions can result in the product being damaged or being destroyed.

---

## Safety instruction



### General

Safe use of the system is possible only when the operating instructions are read completely and the instructions contained are strictly observed.

Failure to comply with instructions marked with the "NOTE" symbol may result in serious damage to the system or one of its components.



It is important for everyone who is to connect, install, or use the systems to have the necessary information and access to this User Manual. Follow the instructions for mounting – risk of injury if these instructions are not followed.



The appliance is not intended for use by young children or infirm persons without supervision.



If there is visible damage on the product it must not be installed.



Note that during construction of applications, in which the actuator is to be fitted, there must be no possibility of personal injury, for example squeezing of fingers or arms.



Assure free space for movement of the application in both directions to avoid blockade.



Assure free space for movement of application in both directions to avoid blockade.



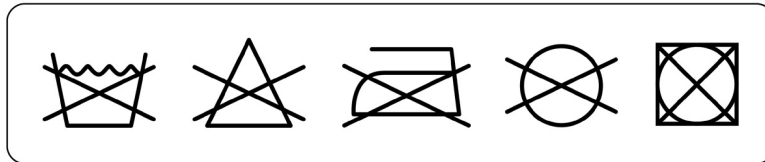
The appliance is only to be used with the power supply unit provided with the appliance.

---

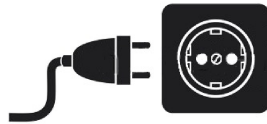
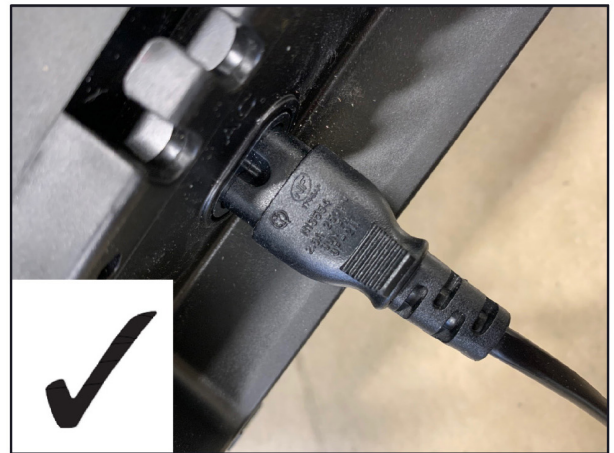
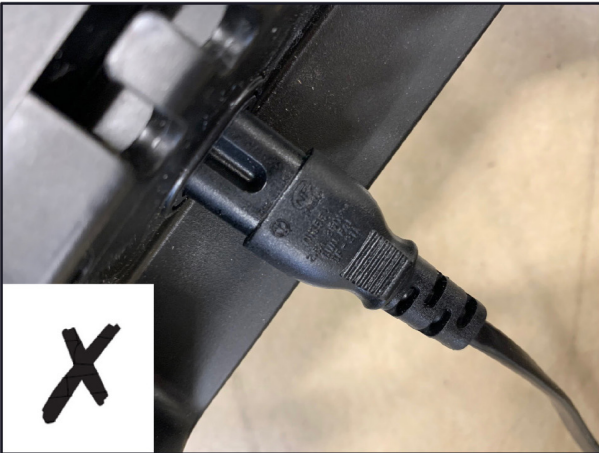
## Safety issues



The builder of the equipment shall ensure that the use of the component complies with relevant standards – like the Machine Directive. Care must be taken to avoid squeezing of cables as it can cause movement of the system!



Care instruction for covers - only foam cleaning



## Getting started

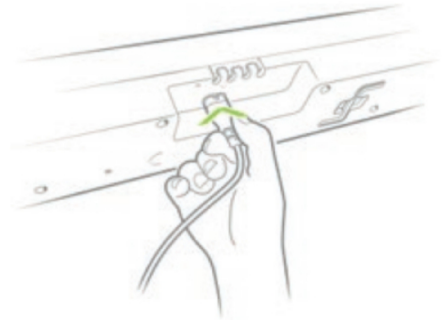
It is possible to pair multiple controls to the TD5 via Bluetooth®.



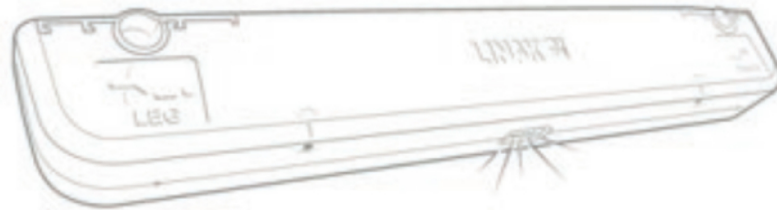
If only one TD5 is to be paired with the control, ensure that only this TD5 is in pairing mode.

### Pairing your control

1. Connect TD5 to mains via mains cable.



2. TD5 is in pairing mode for three minutes and Under Bed Light flashes to indicate this.



3. Press the two top buttons on LINAK® hand control at the same time.



The Under Bed Light gives one long flash to indicate that the hand control and the TD5 are paired up. The TD5 stays in pairing mode and it is possible to connect more controls using the same procedure.

### Note:

Wait 5 seconds after pairing control 1 before you can pair control 2.

To get the system out of pairing mode – simply press any button on an already paired control.



Allow for the hand control to go to power-saving mode (backlight turns off) before disconnecting the actuator system from the mains supply. Otherwise the pairing will not be saved in the hand control.

### Hand Control HC10 Wireless



Up – down back motor

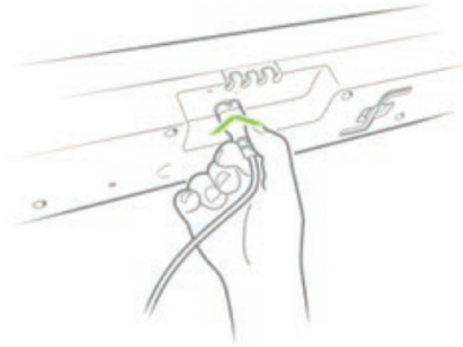
Up – down leg motor

Common operation up/down (option)

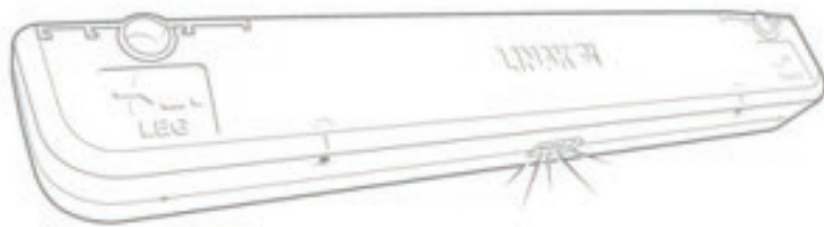
Light Button

## Pairing your smartphone or tablet

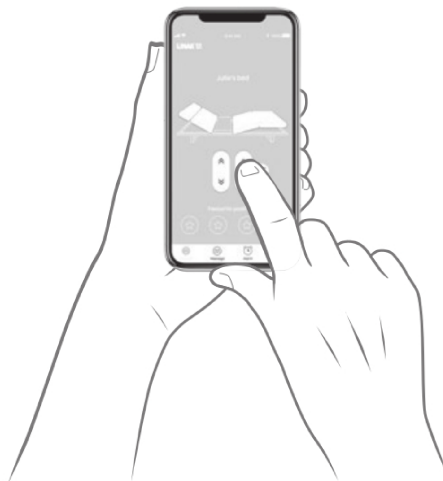
1. Enable Bluetooth® on smartphone/tablet.
2. Open Bed Control App.
3. Connect TD5 to mains via mains cable.



4. TD5 is in pairing mode for three minutes and Under Bed Light flashes to indicate this.



5. Bed Control App will automatically pair to the closest TD5 in pairing mode. Wait a few seconds to see app confirm completed pairing.
6. Smartphone/tablet and TD5 are now paired up. App will display operation page and bed can now be adjusted through app.



### Note:

The Bluetooth® pairing mode will stop as soon as the phone is connected. Thus, we recommend to start pairing the hand control and thereafter the phone to avoid having to disconnect the power.

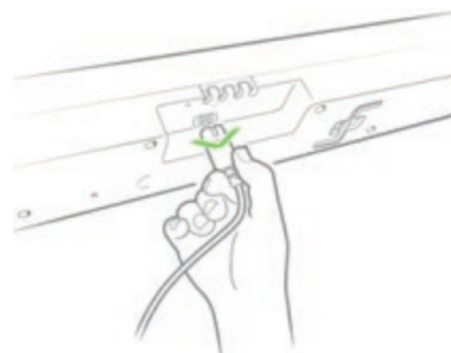
## During operation:

- If the control box makes unusual noise or smells, switch off the mains voltage immediately.
- Take care that the cables are not damaged.
- Unplug the mains cable on mobile equipment before it is moved.

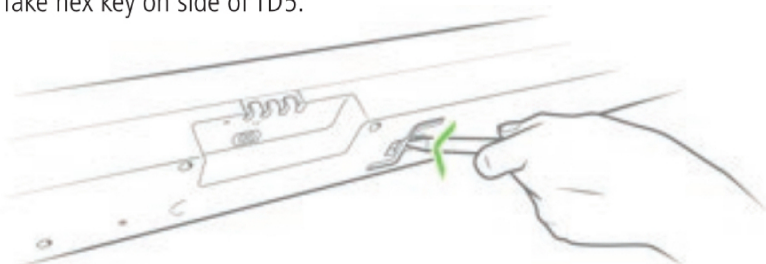
### Mechanical emergency lowering

Emergency lowering is meant for lowering the bed if a power failure occurs and the bed needs to be driven down into horizontal position.

1. Disconnect TD5 from mains.

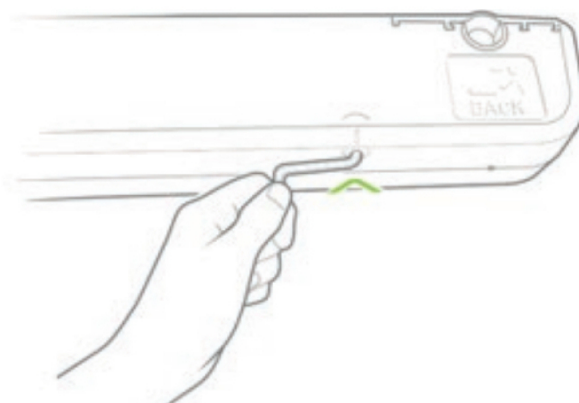


2. Take hex key on side of TD5.



Underneath the TD5 are two gaps for mechanical lowering.

3. Place hex key in gap, one end at a time, and turn hex key in direction indicated by arrow.



It is important to turn the key in the direction indicated on the housing. Turning the key in the wrong direction can wreck the inner hex and make mechanical emergency lowering impossible.



Do not use an electric screwdriver for lowering, use the hex key enclosed on the TD5.

### Maintenance

Clean dust and dirt on the outside of the system at appropriate intervals and inspect them for damage and breaks. Inspect the connections, cables and plugs and check for correct functioning as well as fixing points.



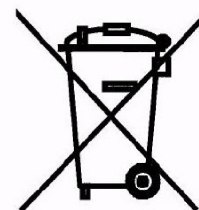
**The cleaners and disinfectants must not be highly alkaline or acidic (pH value 6-8).**



**It is not allowed to use solvents for cleaning up.**



**Max. load running back and leg end motors at the same time in upward direction is 7000 N on back motor, and 7000 N on leg end motor.**



### USAGE

The bed's lifting motors are not designed for continuous usage. The bed will only continue to be reliable and operate for a normal life if the motors do not operate for longer than 2 minutes during a 15-minute period. If this limit is exceeded, the life of the products will be reduced and the guarantee will no longer apply.

PRODUCER DOMINARI UAB, Panevėžys aplinkl. Nr.13, LT36258 Šilagalio k., Panevėžio r.  
e. p. LKS@dominari.lt

### MODEL UTAH

#### DESIGNATION: UPHOLSTERED FURNITURE WITH ELECTRICAL FUNCTIONS.

Item: TD510000B684500  
U In: 220-240 V ~, 50-60Hz  
Force: Back 7000N/Leg 7000N  
Duty Cycle: 10%, max. 1 min ON / 9 min OFF

Item: HC12BL0302  
Model: HC1ABL  
SW: 0077075 ver.1.10  
P.O. 20504568-05086  
FCC ID: XBE-HC1ABL  
IC: 12338B-HC1ABL



This product is subject to the ElektroG (WEEE Directive) and must be disposed of at an authorized collection point for electronic waste. Do not dispose of it in household waste. Contact local authorities or the manufacturer for proper disposal methods.



**CAUTION**  
RISK OF ELECTRIC SHOCK DO NOT OPEN

