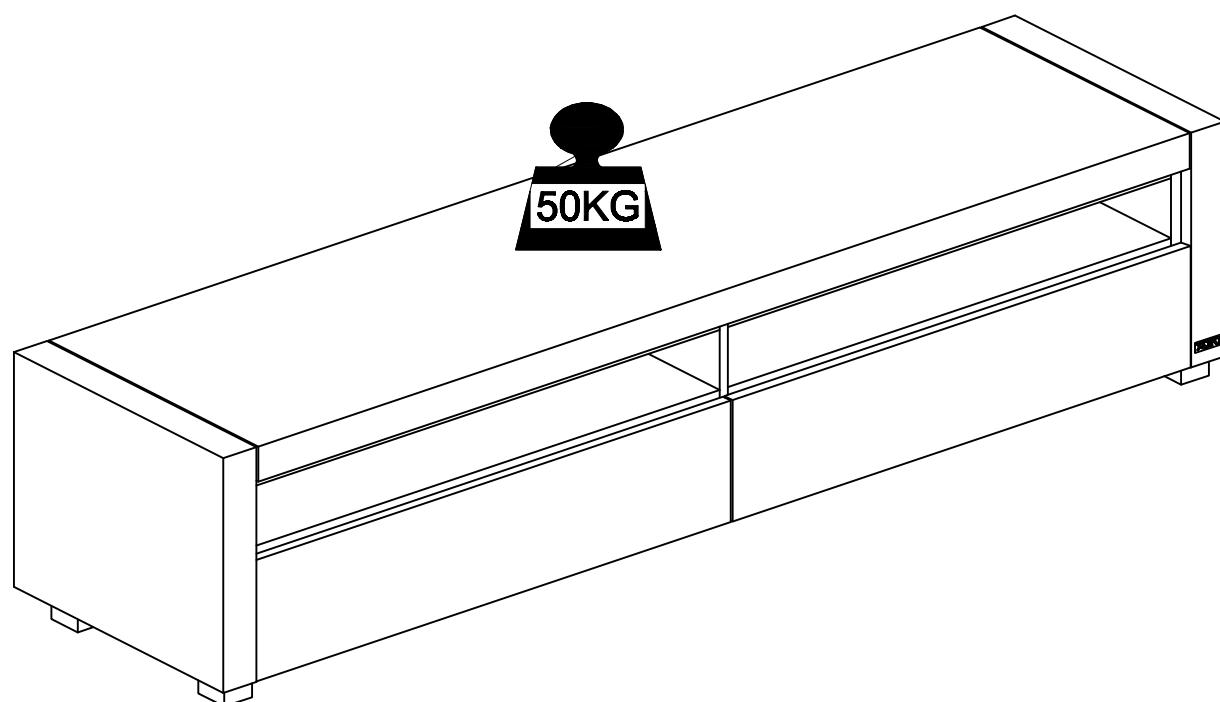
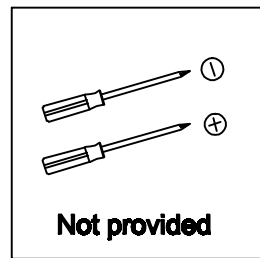
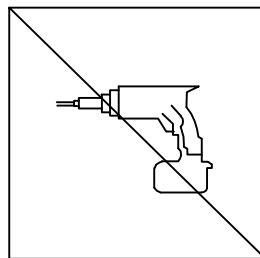
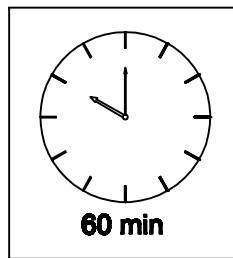
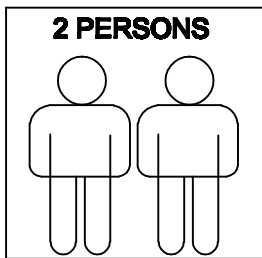
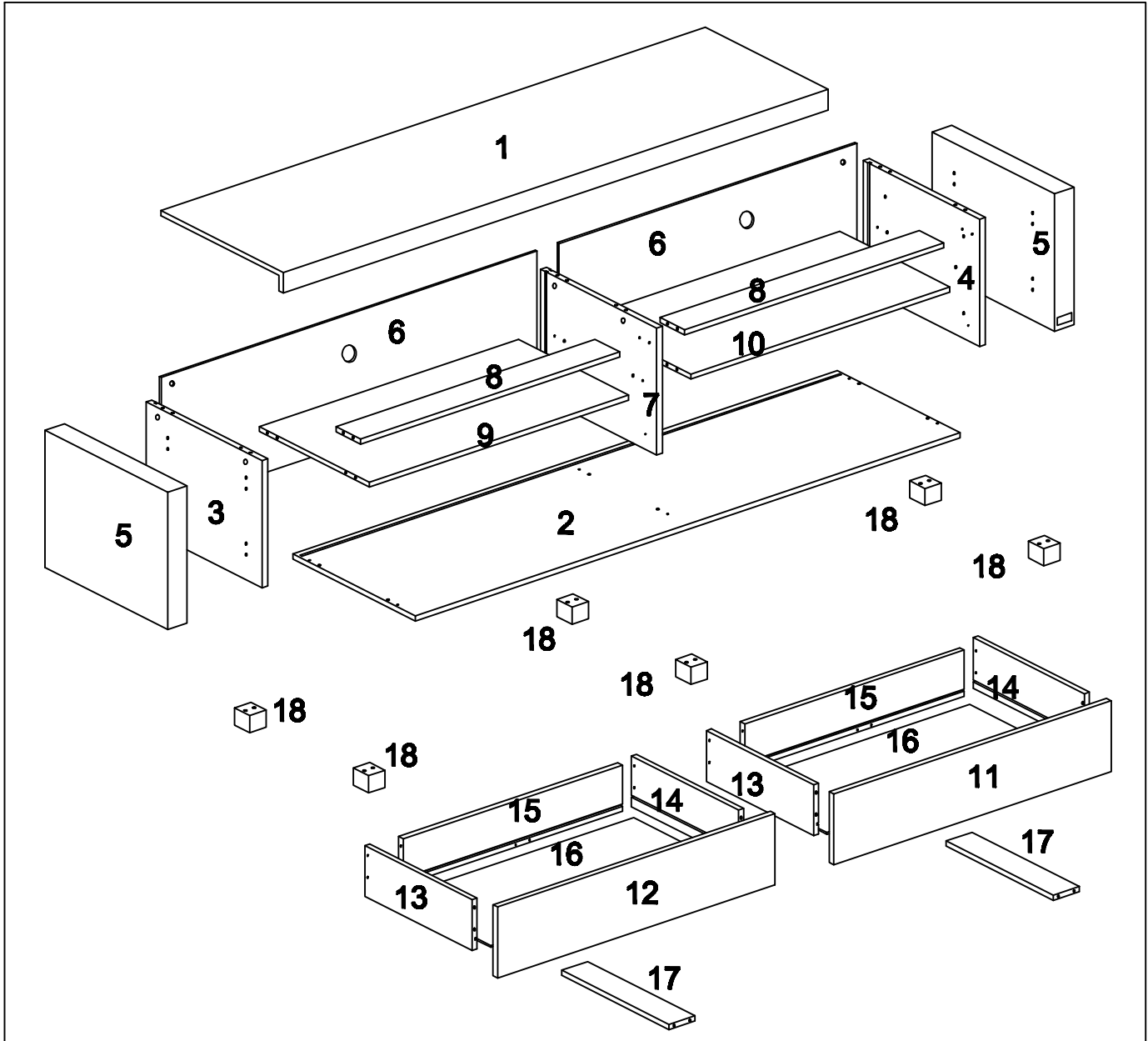
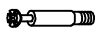


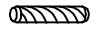
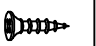

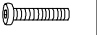
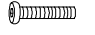






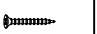




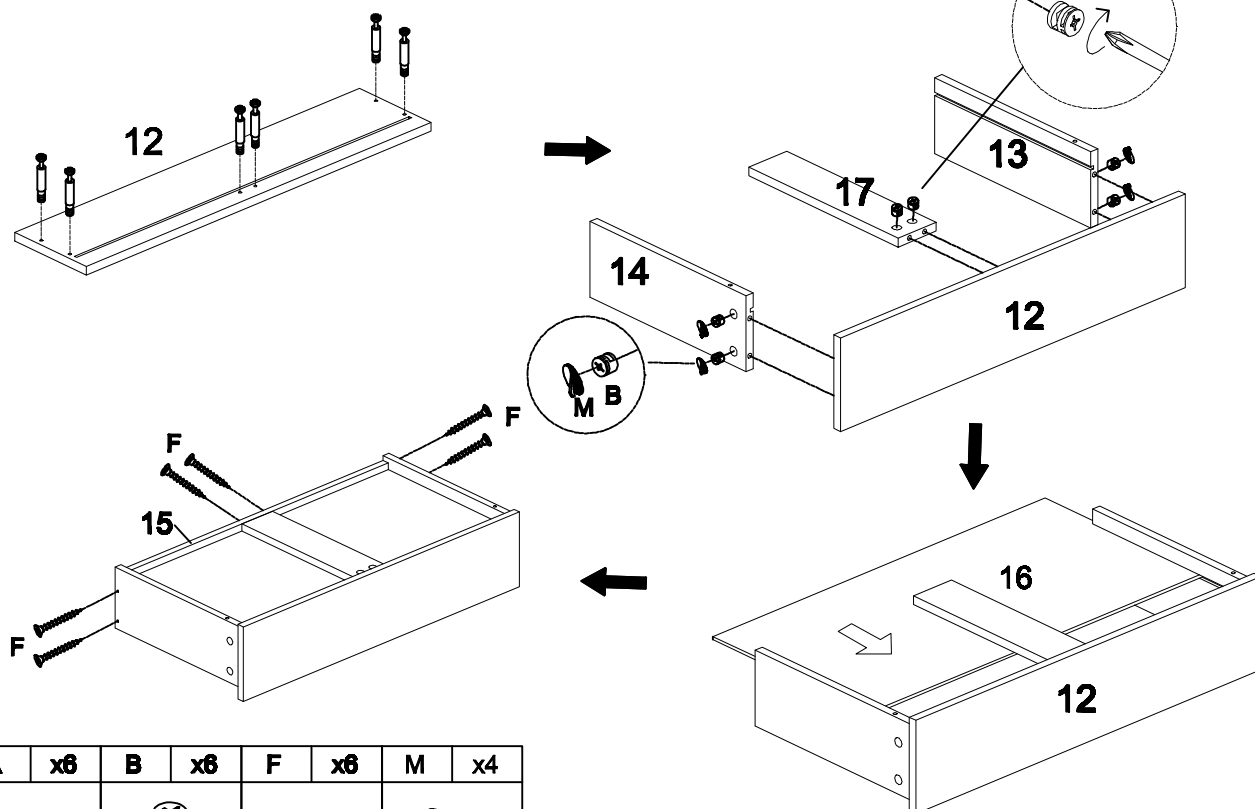
Assemble instruction
OMNI
27980011/01

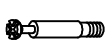







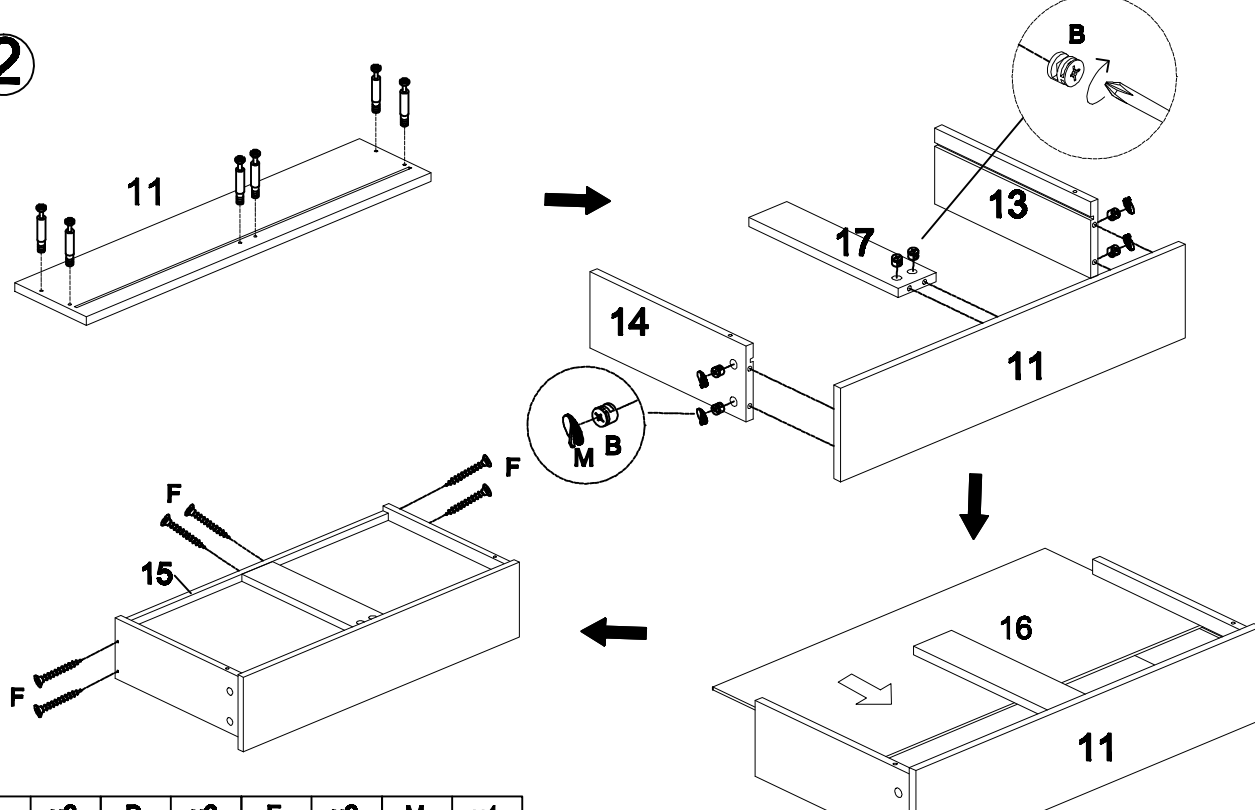
A x34  M6*35mm	B x34  Ø15mm	C x6  7*50mm	D x28  Ø8*30mm	E x16  Ø3.5*14mm	F x12  Ø4*35mm	G x8  M6*30mm	H x12  M6*50mm	I x6 
J x2 	K x2 	L x8 	M x8 	N x1  M4	O x2  Ø4*45mm	P x2  Ø25mm	Q x2  Ø8*30mm	

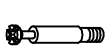



1



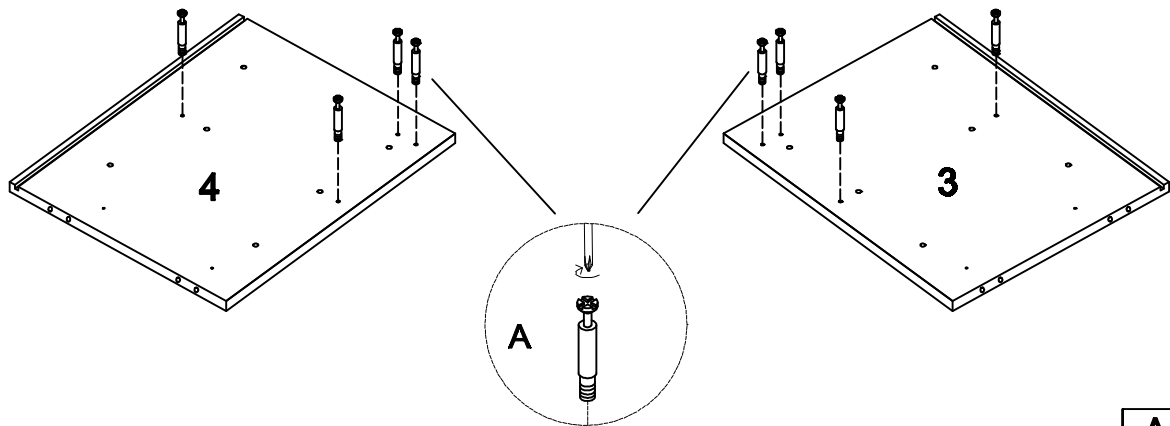
A	x6	B	x6	F	x6	M	x4
							
M6*35mm		Ø15mm		Ø4*35mm			

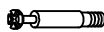
2



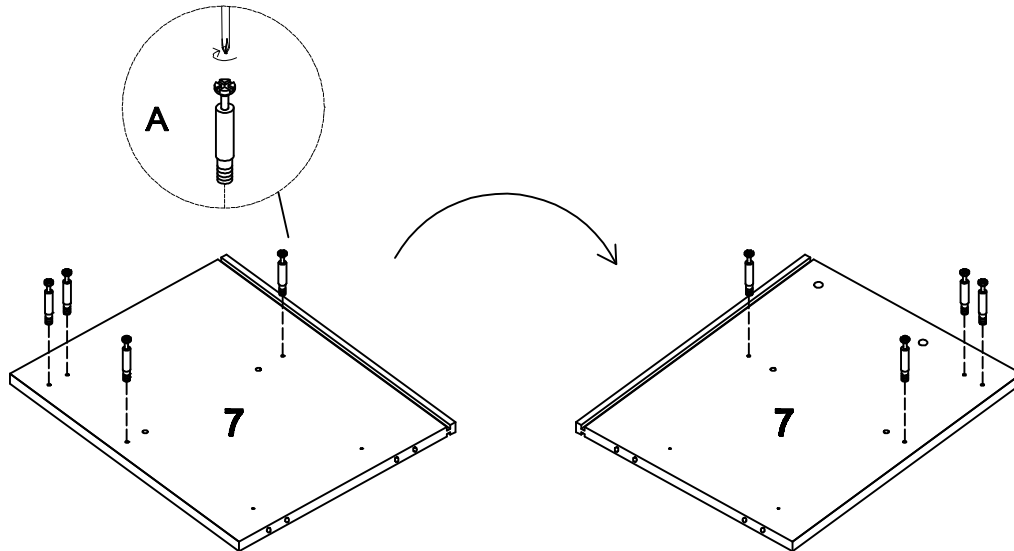
A	x6	B	x6	F	x6	M	x4
							
M6*35mm		Ø15mm		Ø4*35mm			

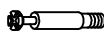
3



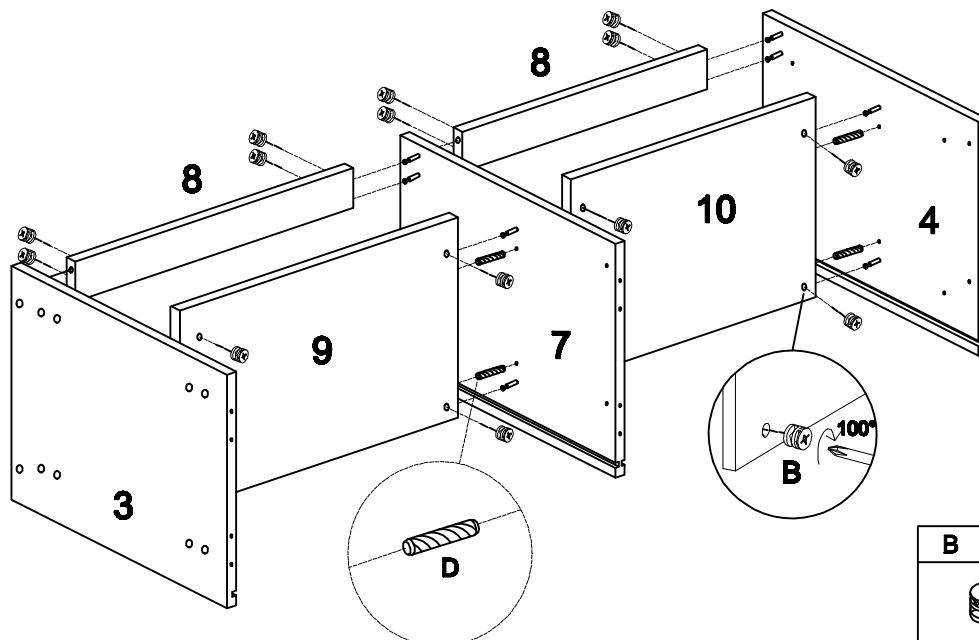
A	x8
	
M6*35mm	



4



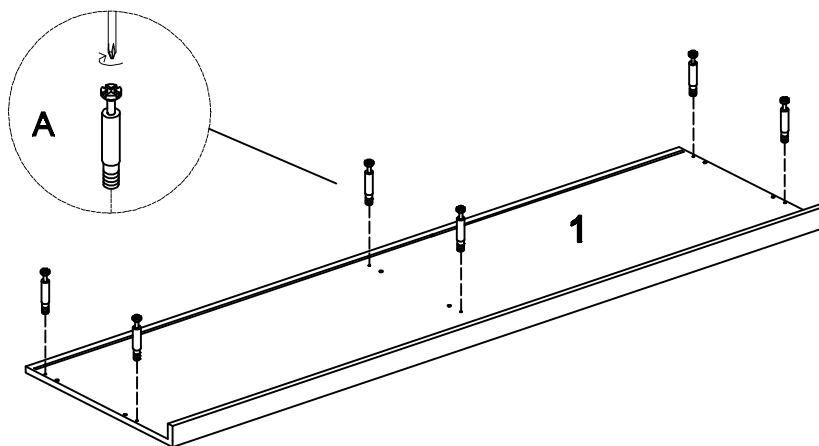
A	x8
	
M6*35mm	

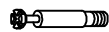
5



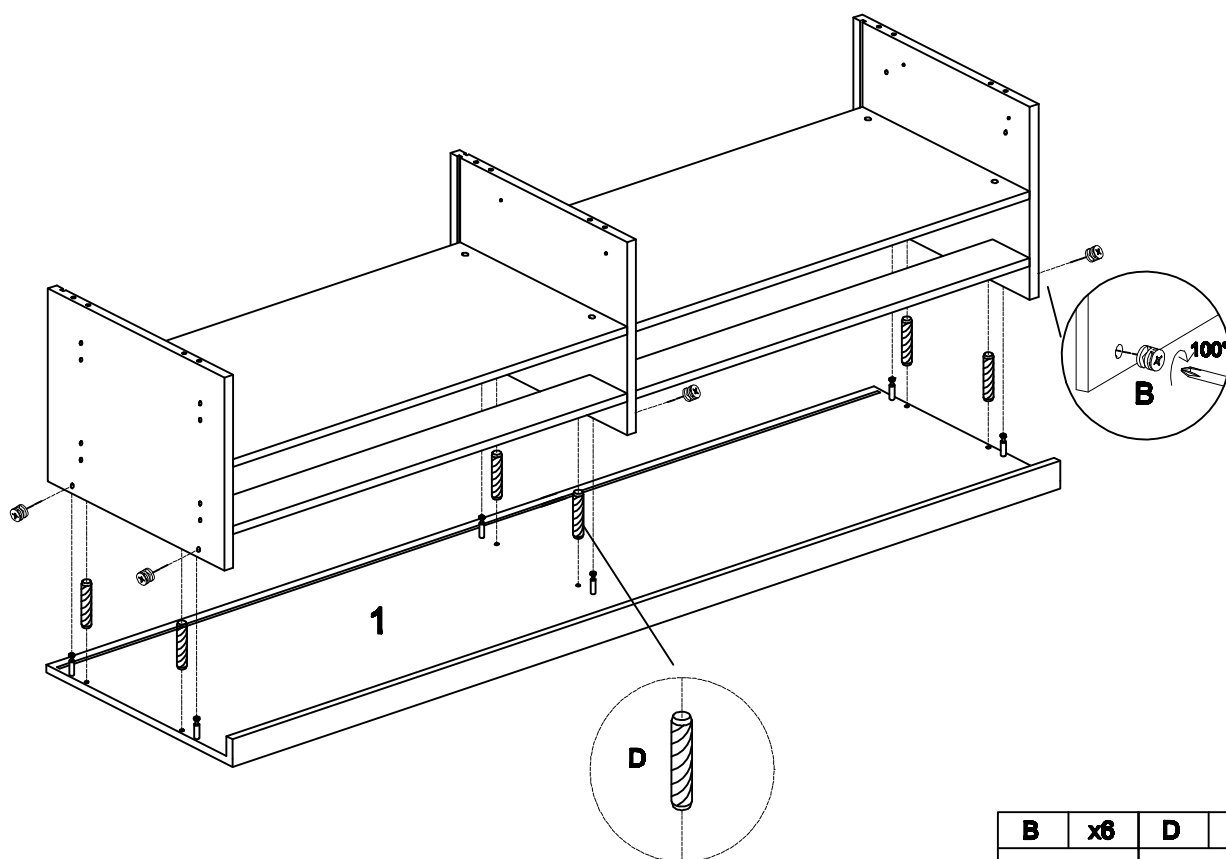
B	x16	D	x8
			
Ø15mm		Ø8*30mm	



6



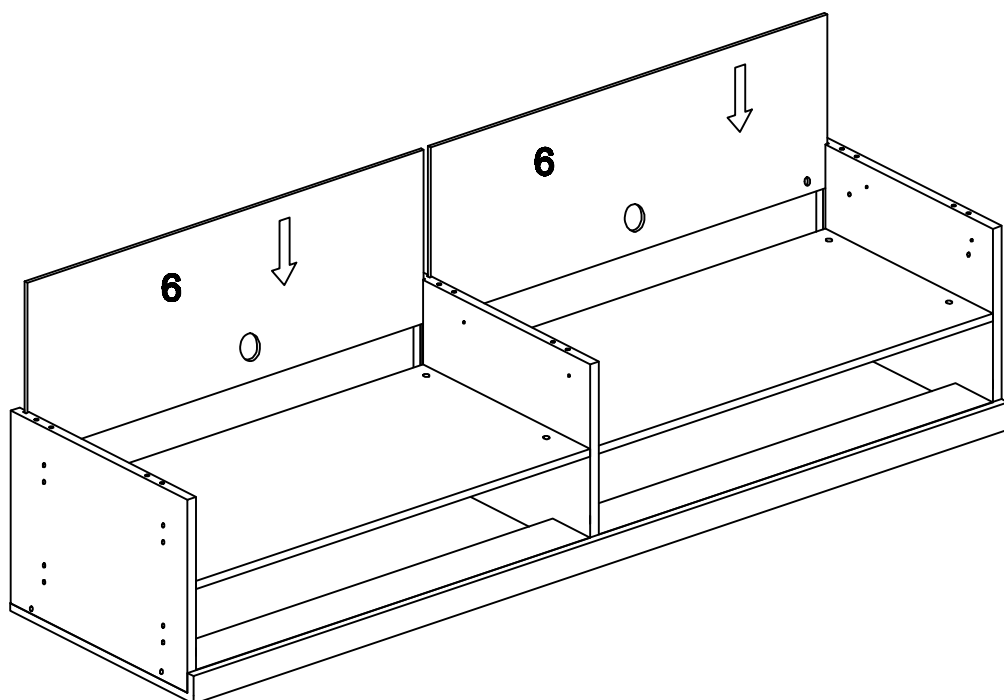
A	x6
	
M6*35mm	

7

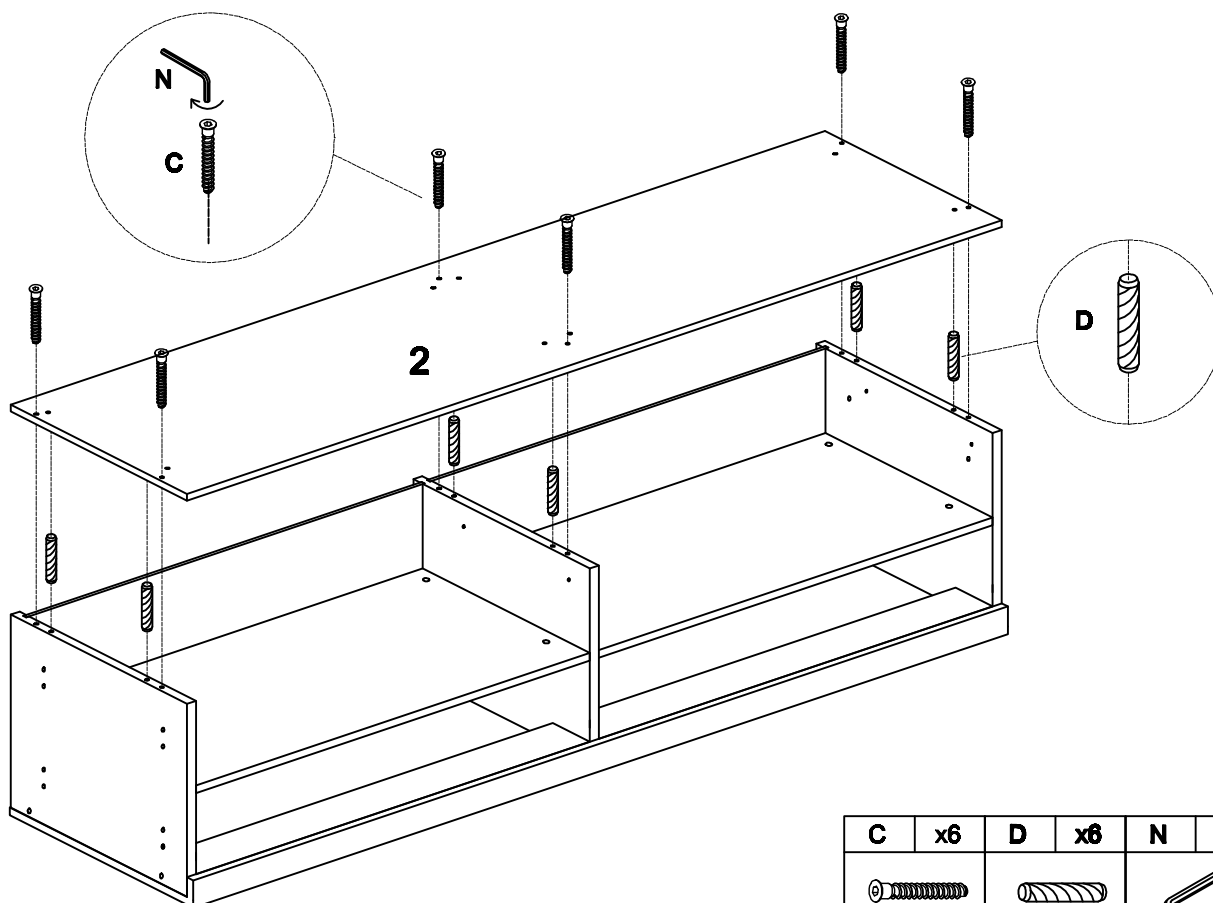





B	x6	D	x6
			
Ø15mm		Ø8*30mm	

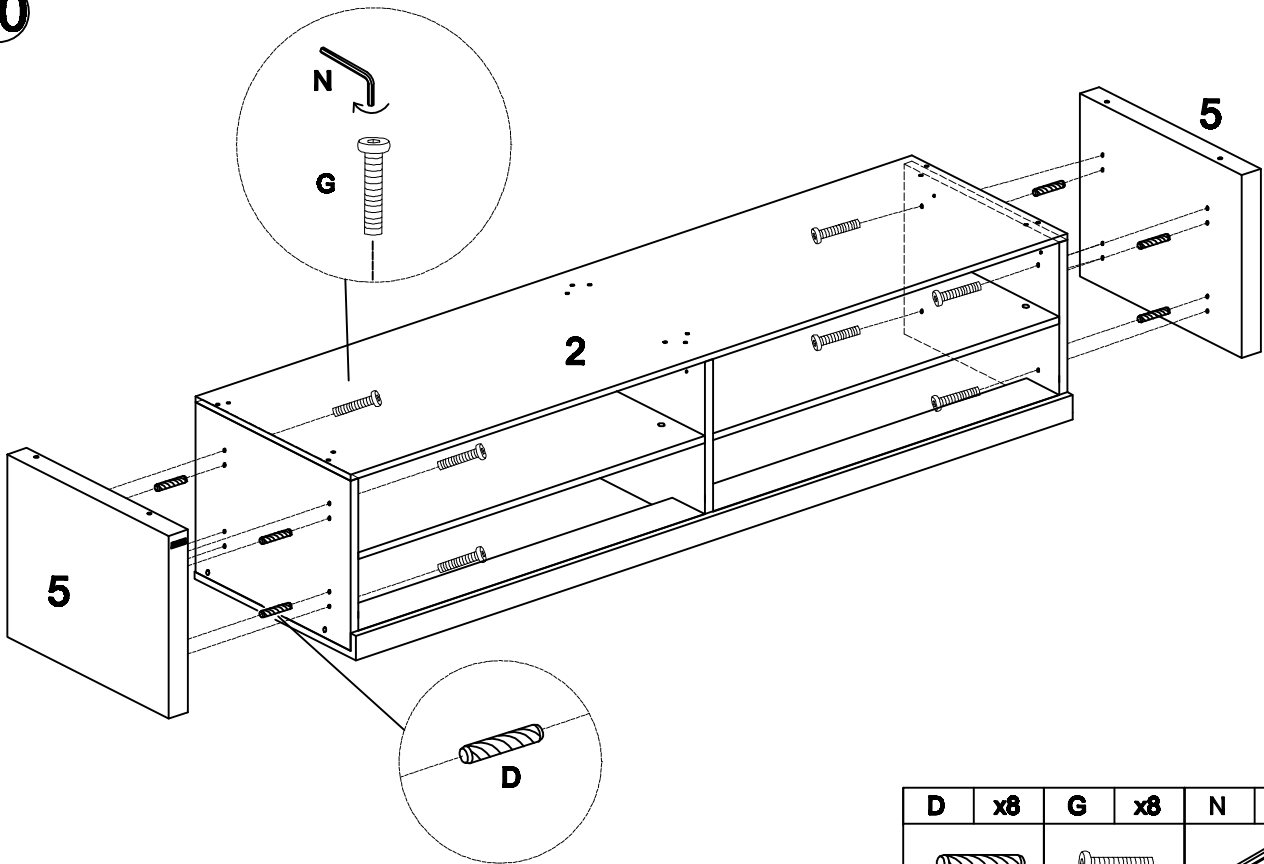
8

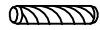
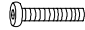



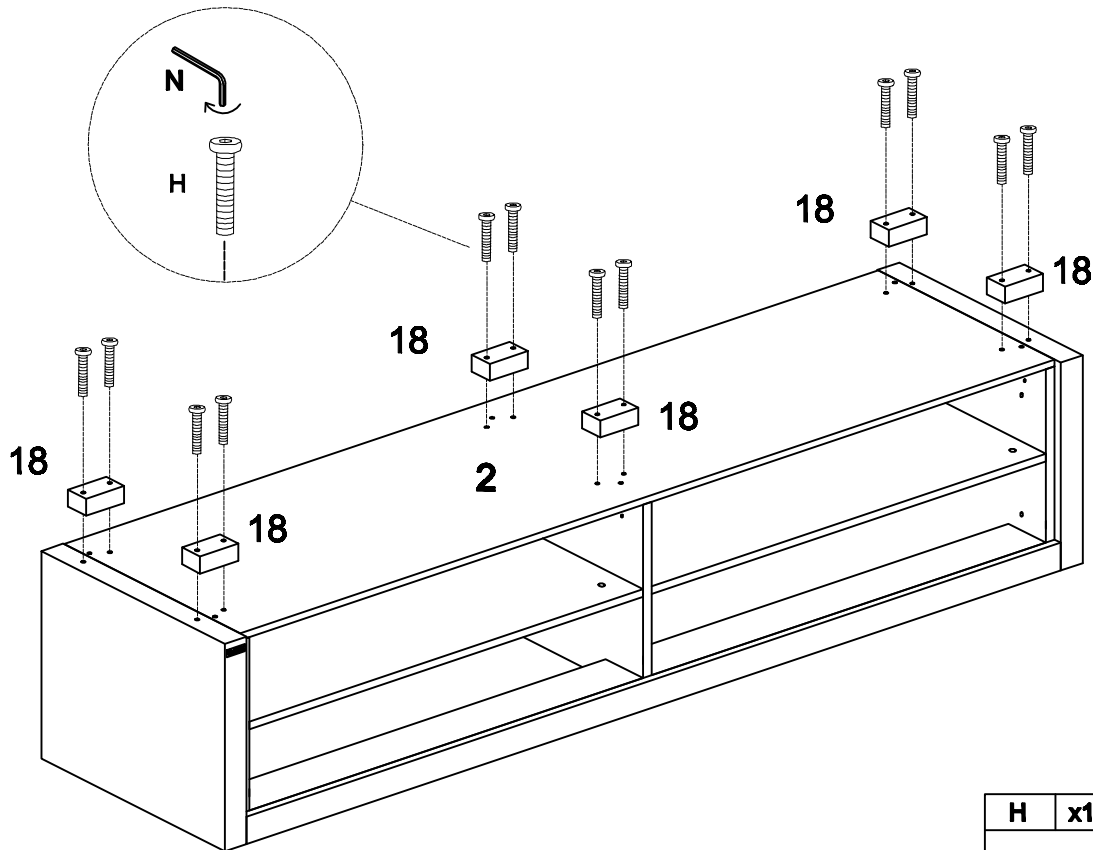
9

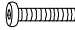



C	x6	D	x8	N	x1
					
7*50mm		Ø8*30mm		M4	

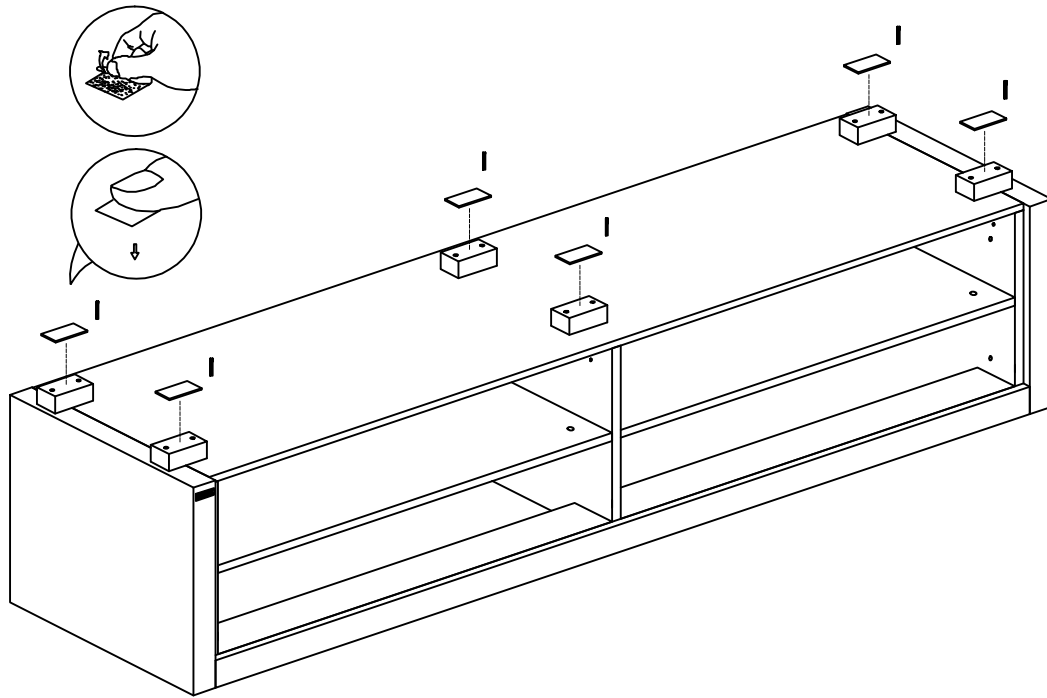
10


D	x8	G	x8	N	x1
					
Ø8*30mm		M6*30mm		M4	

11

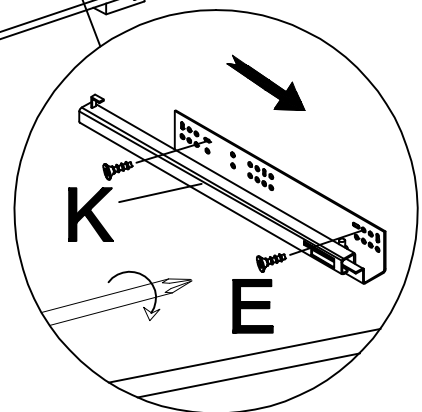
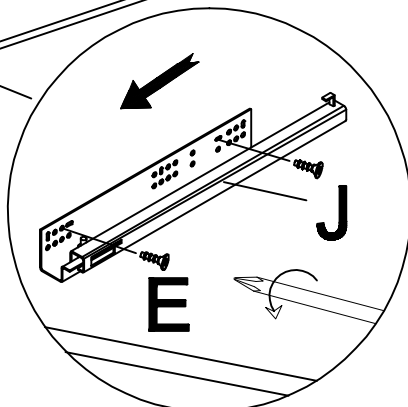
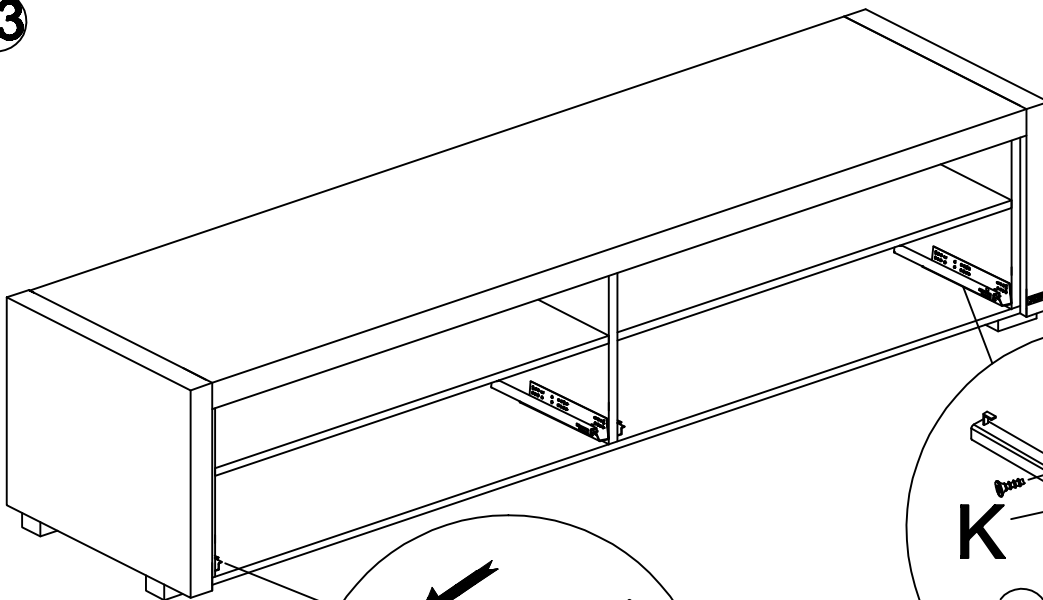
H	x12	N	x1
			
M6*50mm		M4	




12



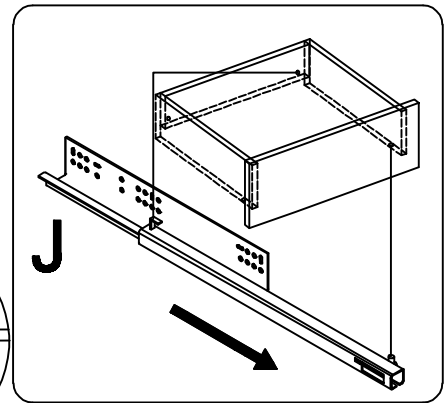
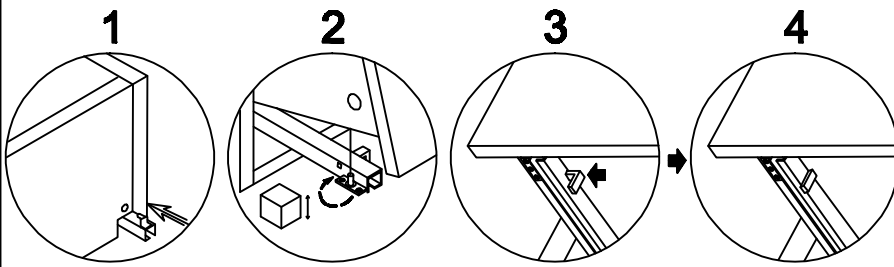
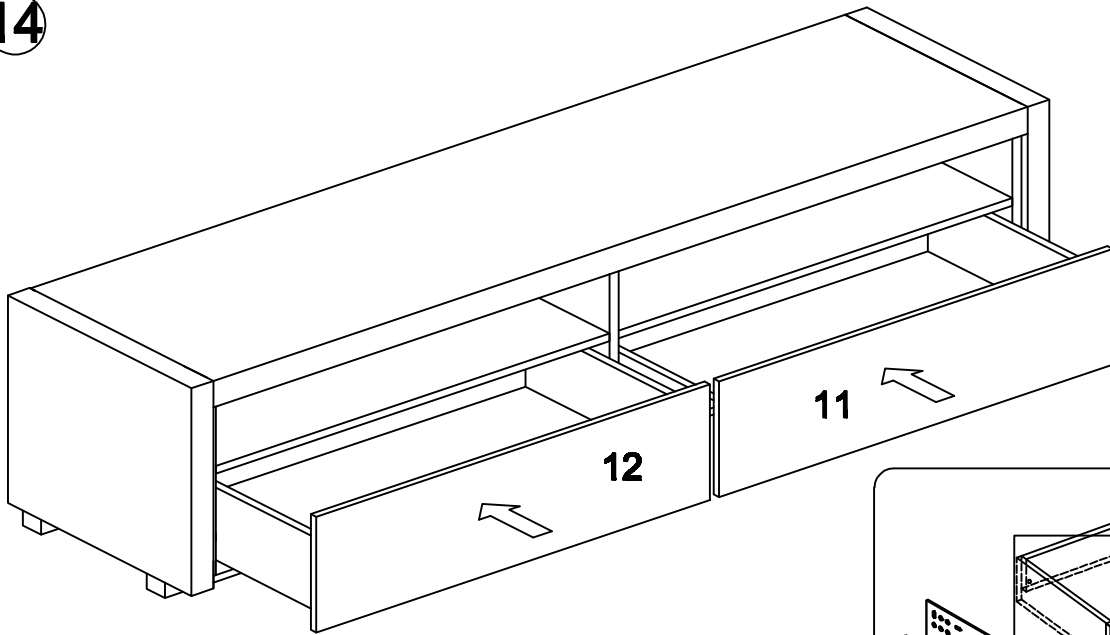
I	x6
	

13

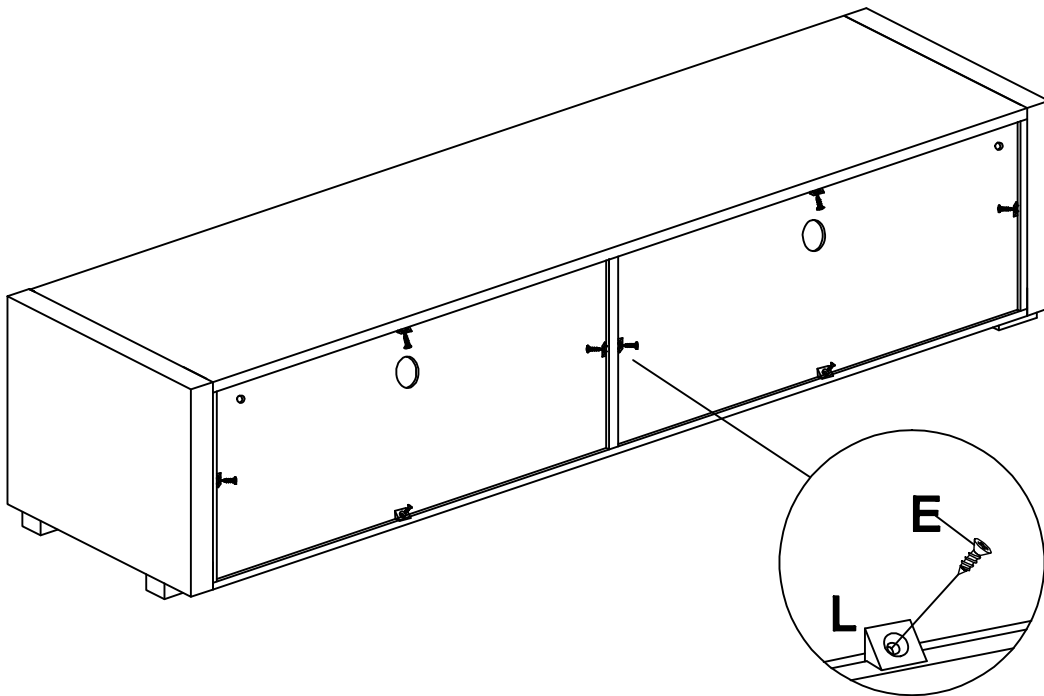


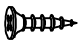

E	x8	J	x2	K	x2
					
<p>Ø3.5*14mm</p>					

14

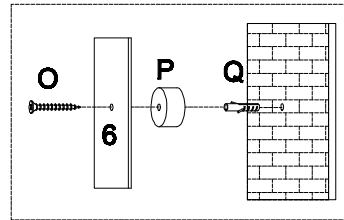
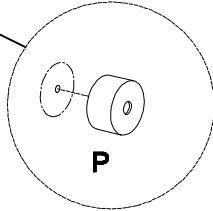
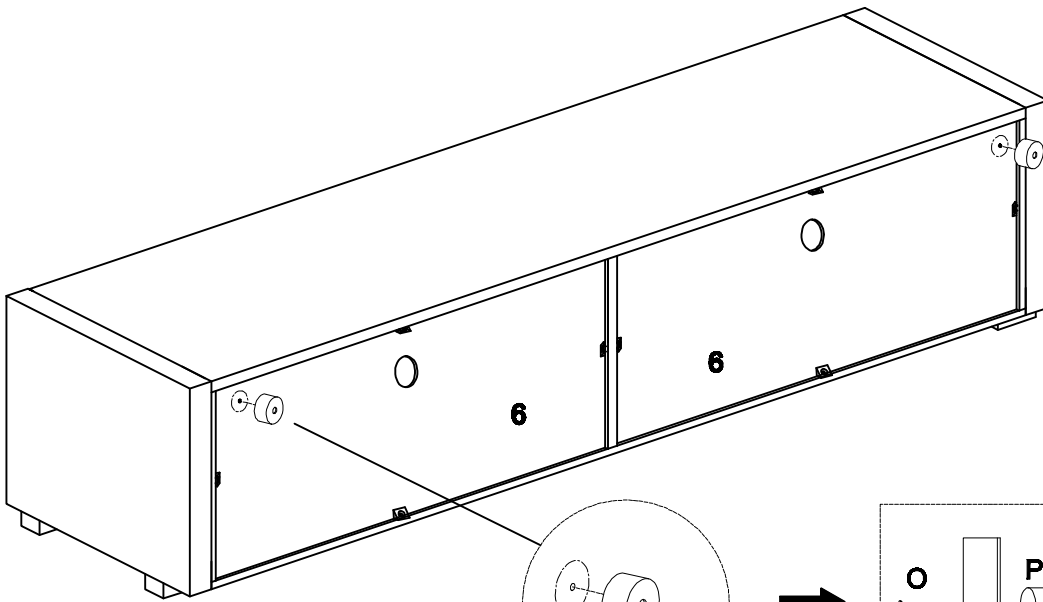


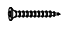

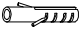
15



E	x8	L	x8
			
Ø3.5*14mm			

16



O	x2	P	x2	Q	x2
					
Ø4*45mm		Ø25mm		Ø6*30mm	