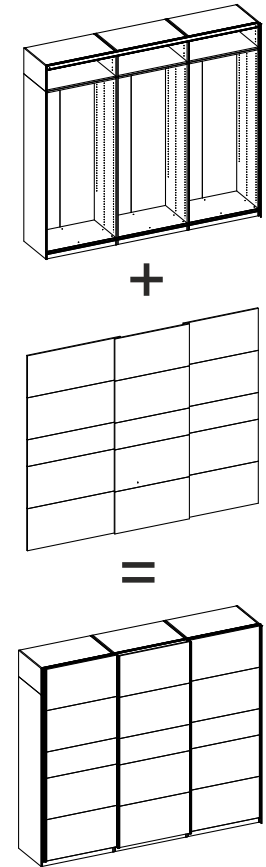
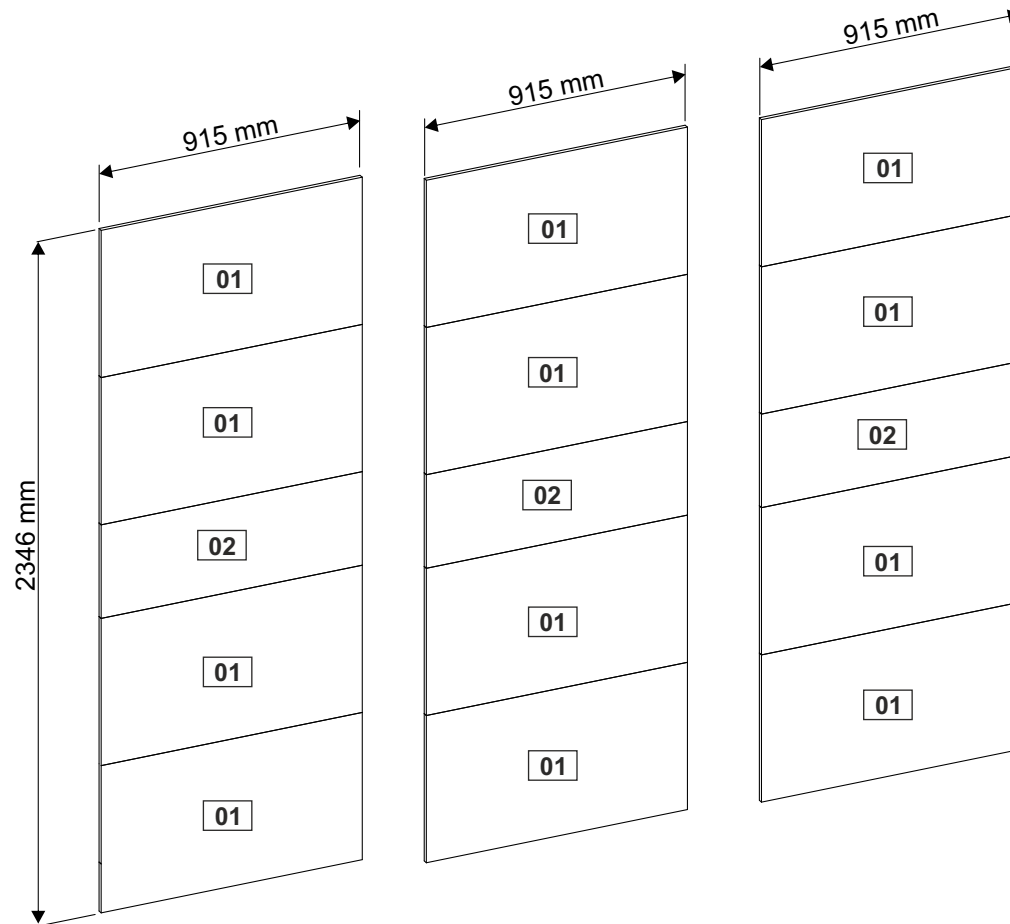
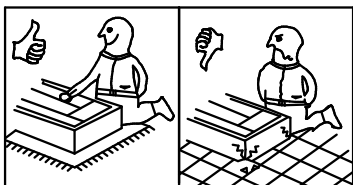
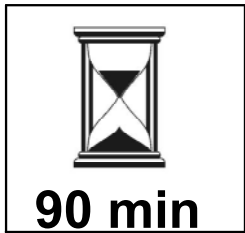
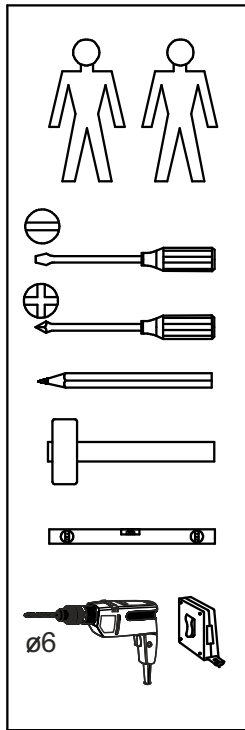


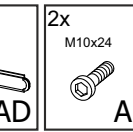
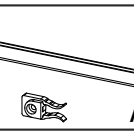
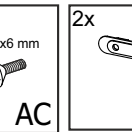
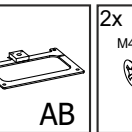
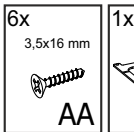
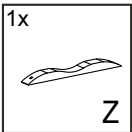
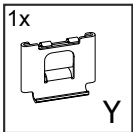
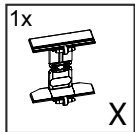
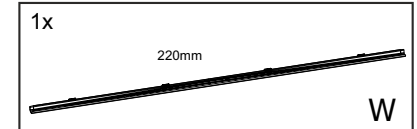
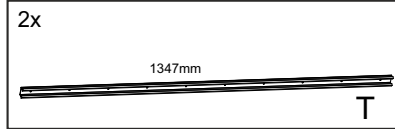
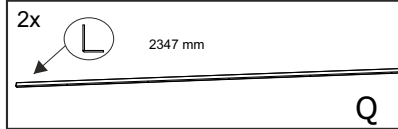
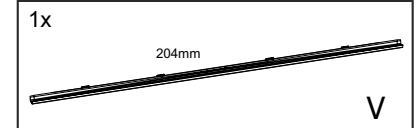
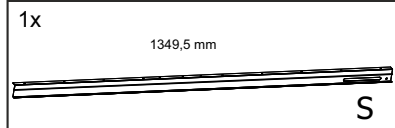
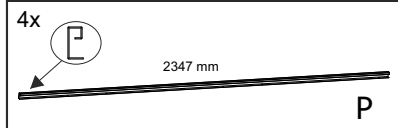
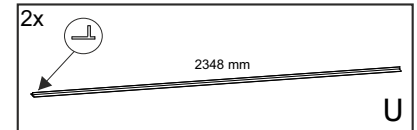
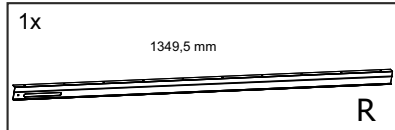
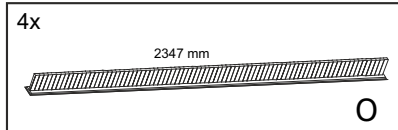
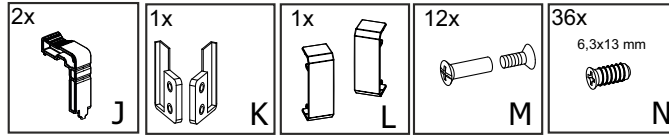
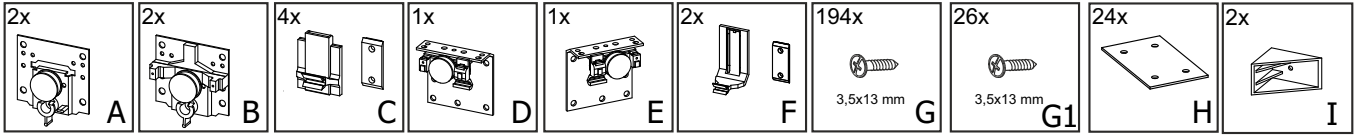
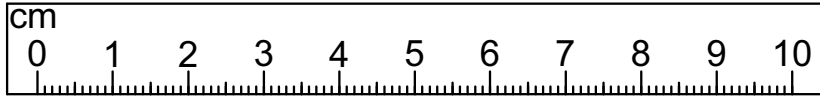
UNIT 2700/2346

01	915x506x16	1/1
02	915x322x16	1/1



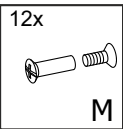
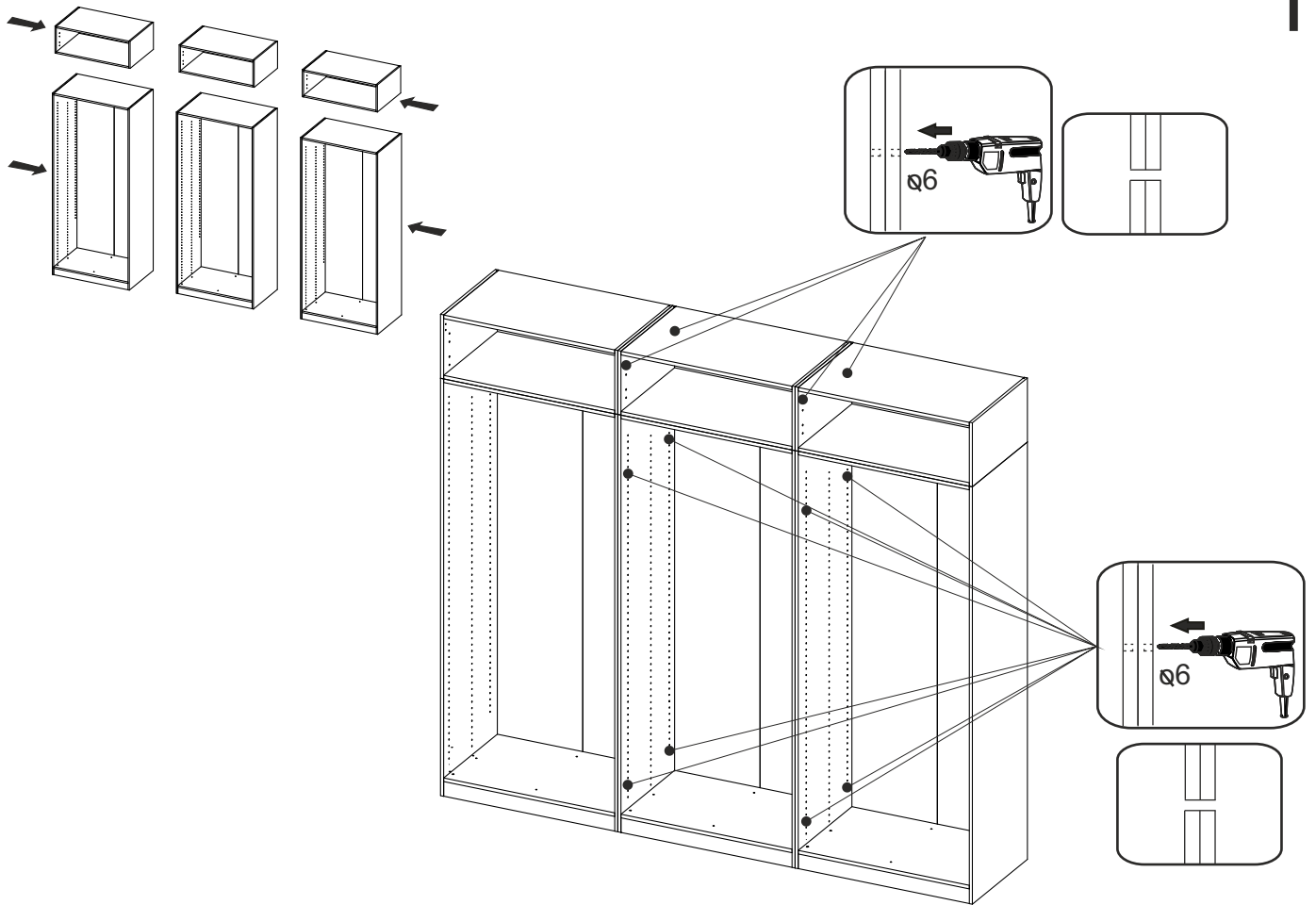
UNIT 2700/2346

C 1/1

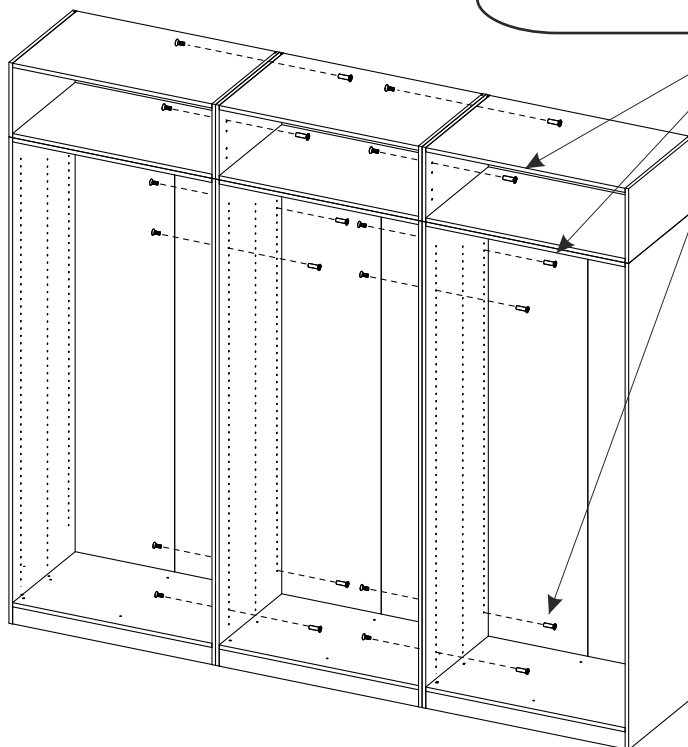
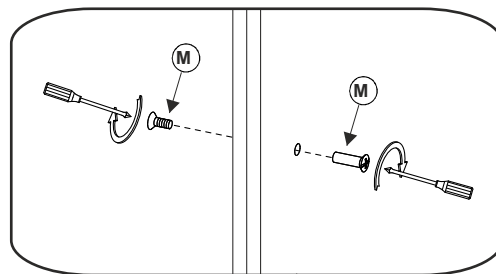


UNIT 2700/2346

1

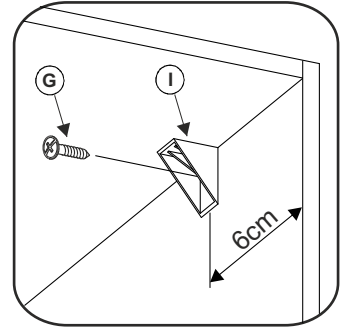
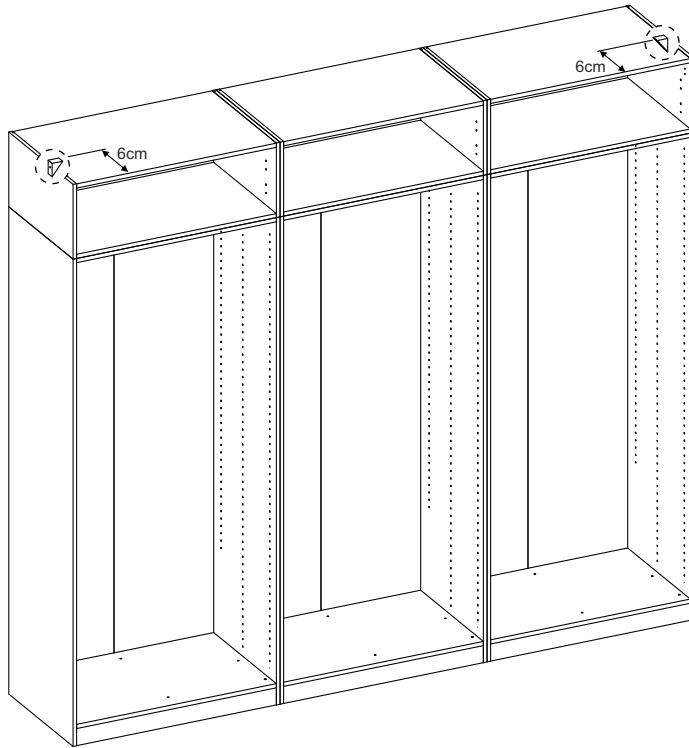
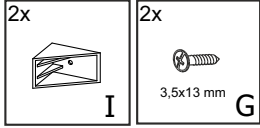


2

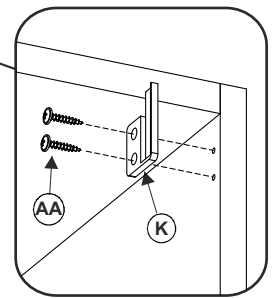
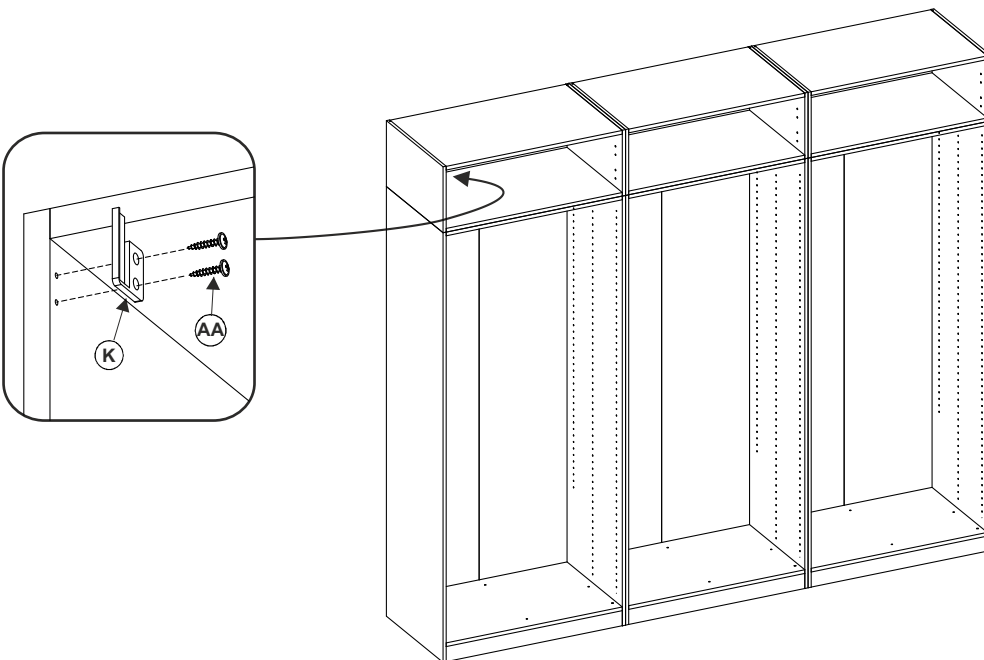
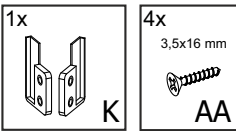


UNIT 2700/2346

3

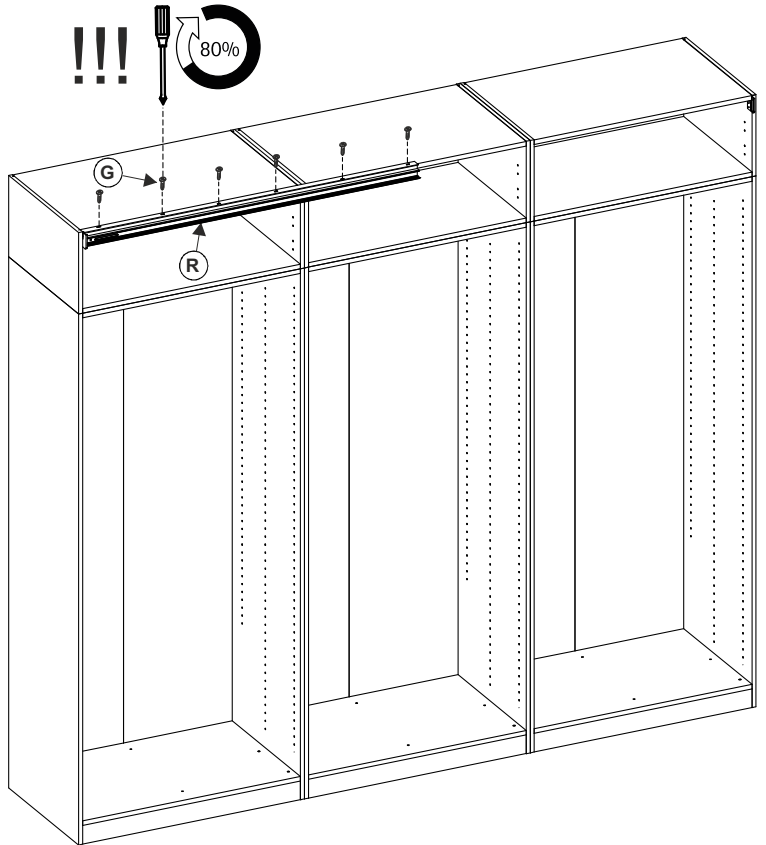
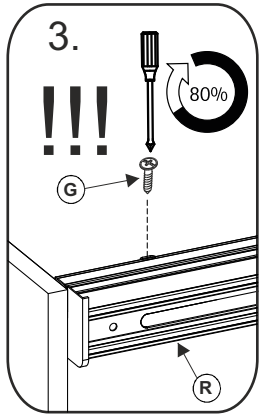
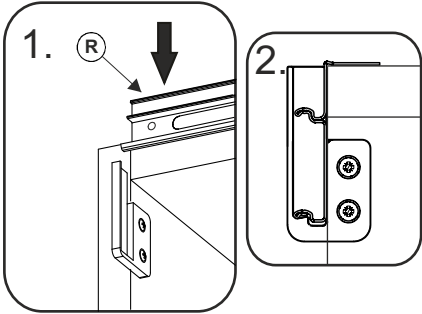
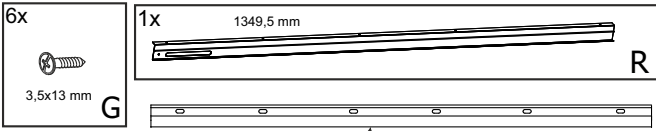


4

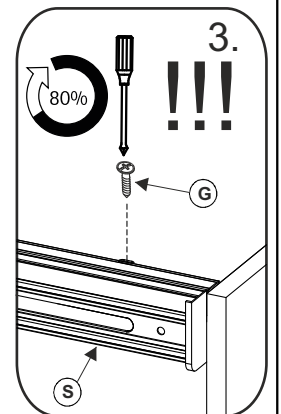
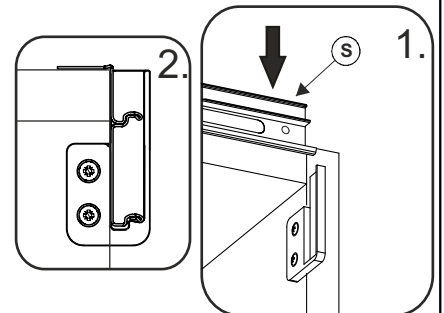
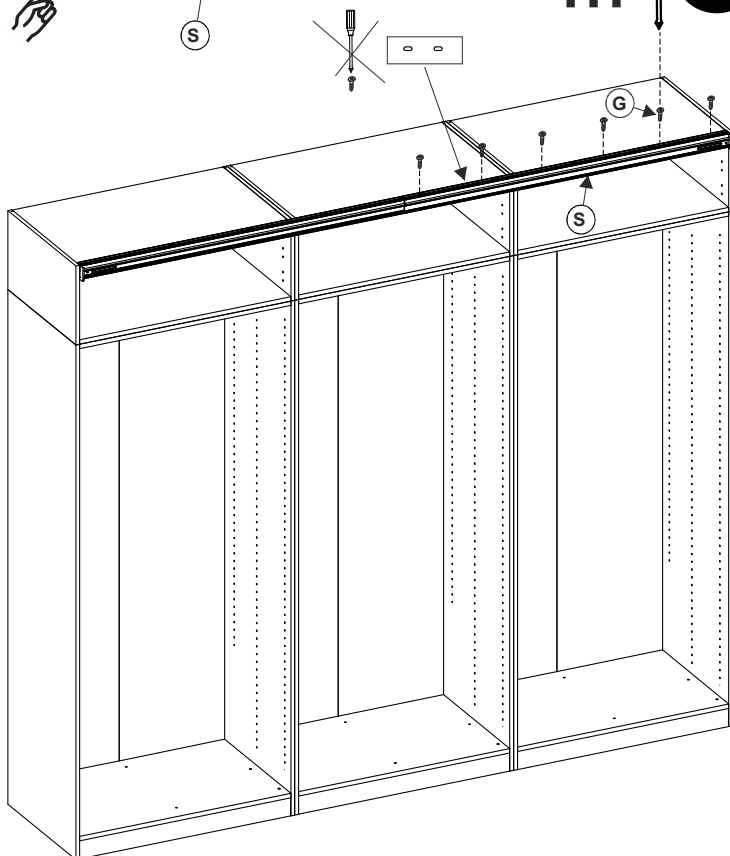
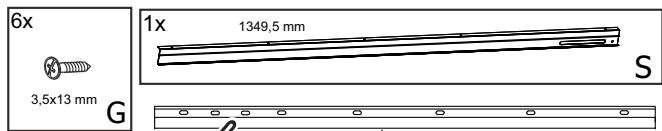


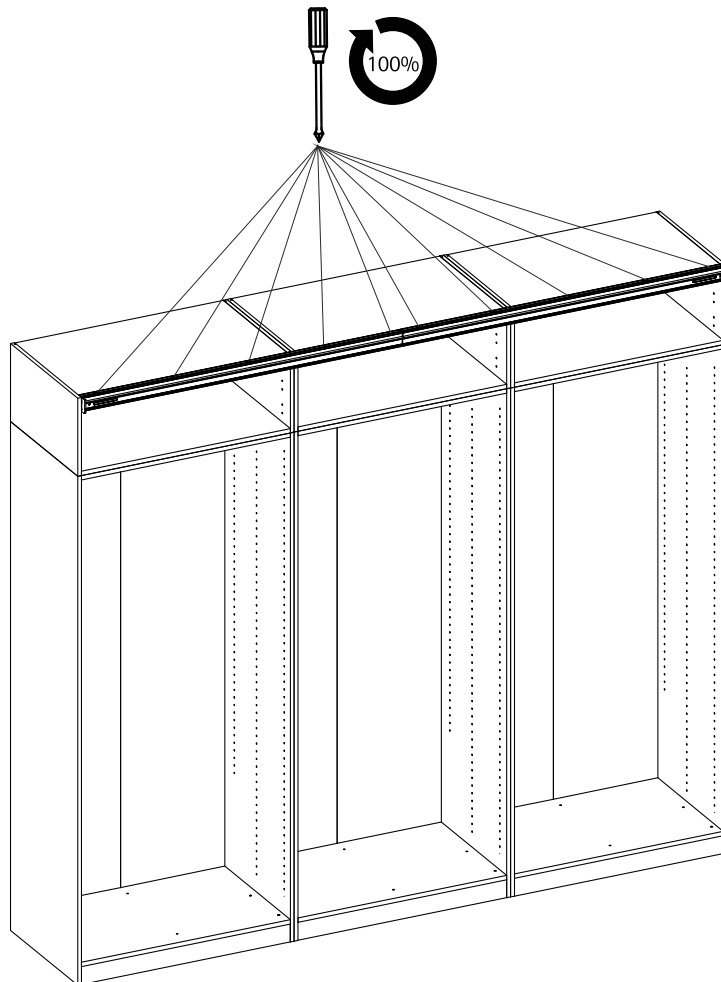
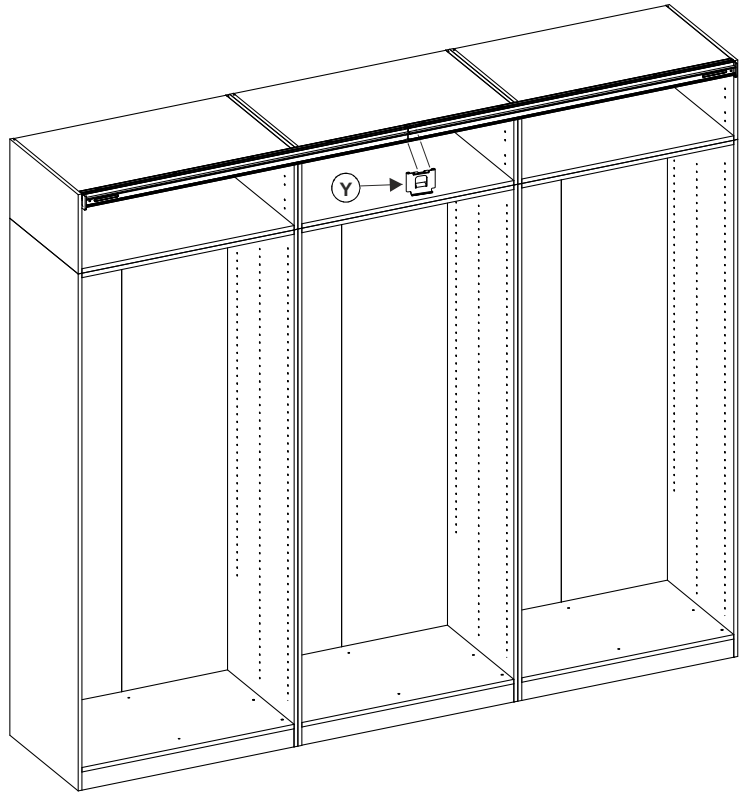
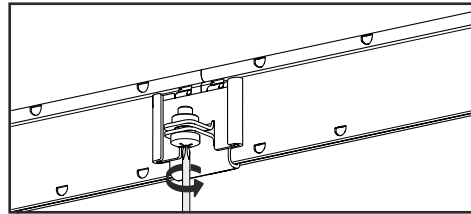
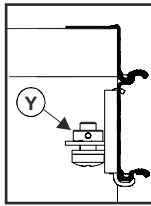
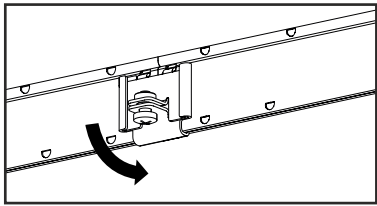
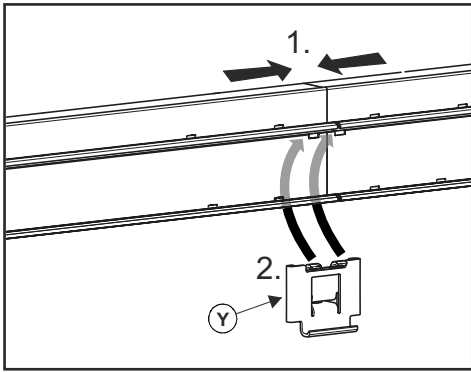
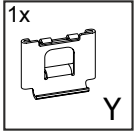
UNIT 2700/2346

5

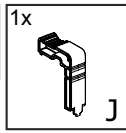
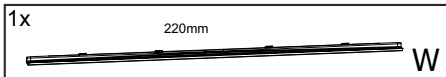


6

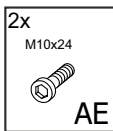
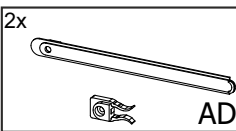
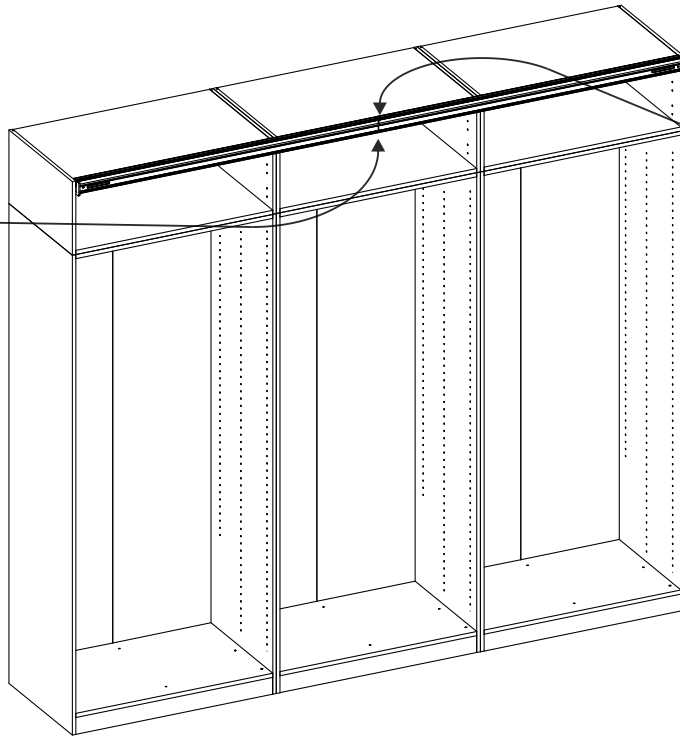
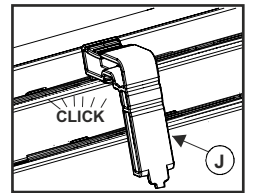
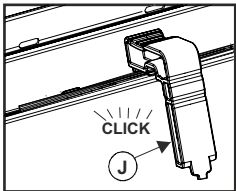
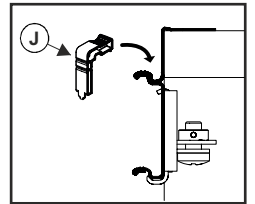
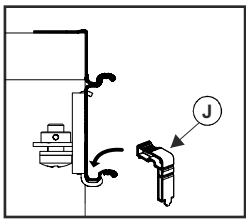
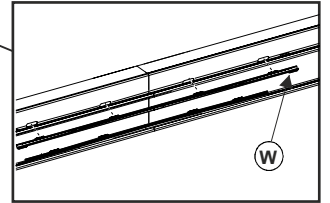
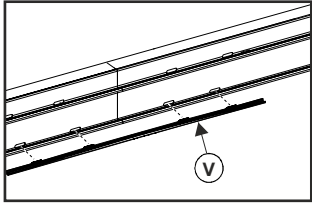
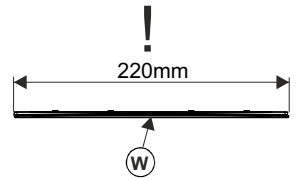
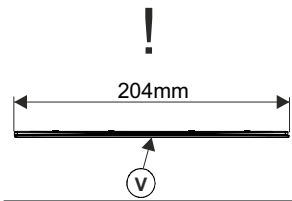




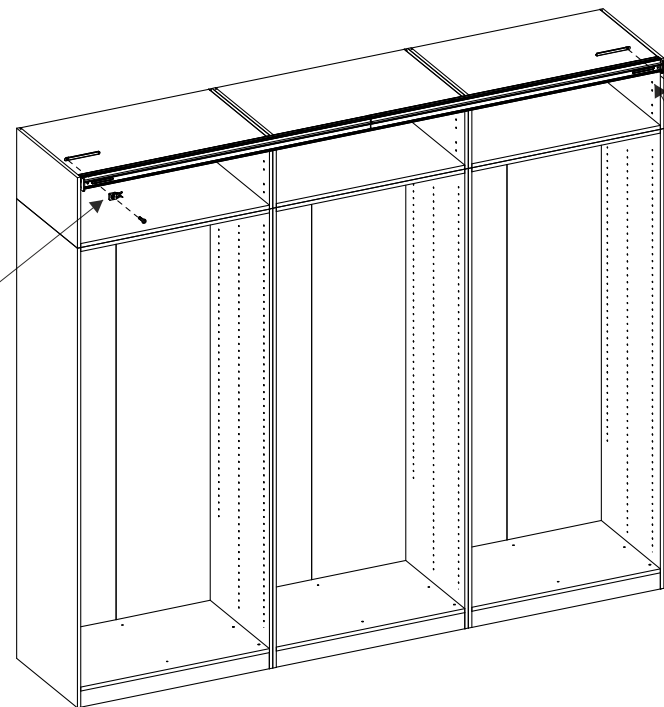
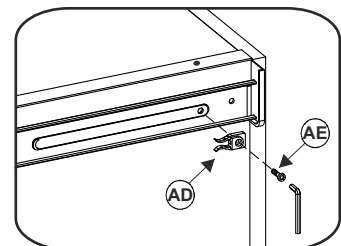
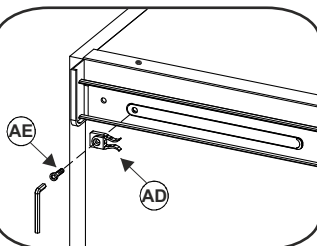
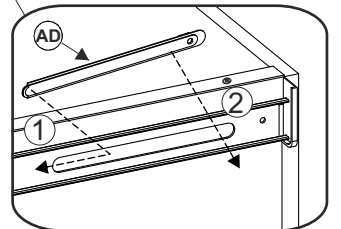
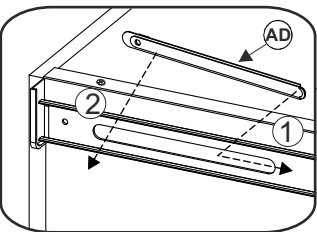
UNIT 2700/2346



9

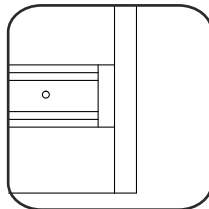
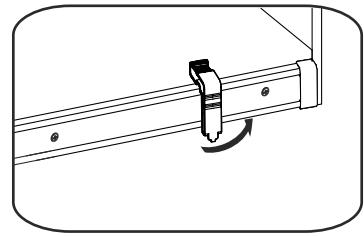
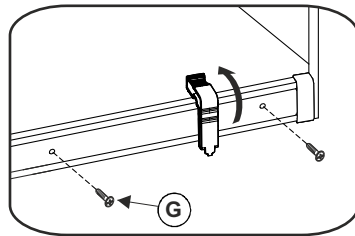
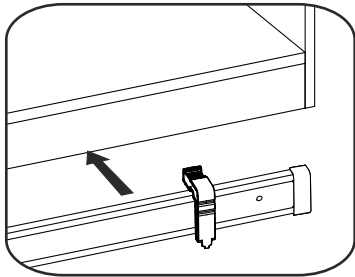
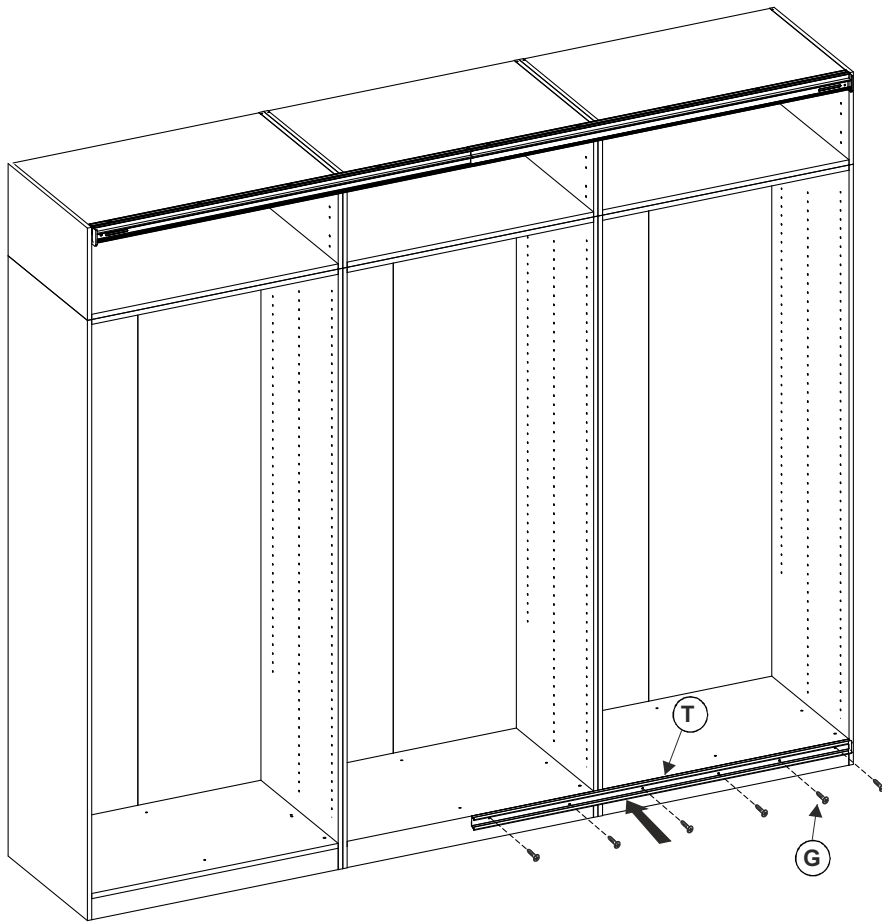
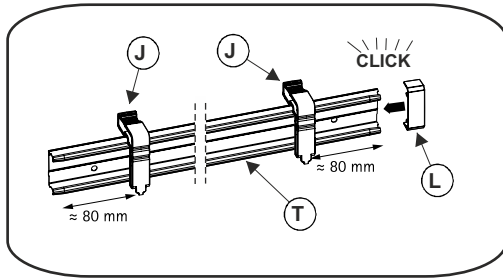
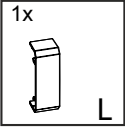
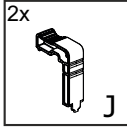
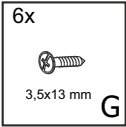


10



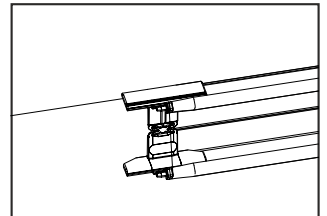
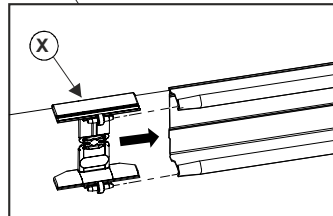
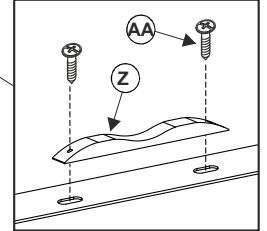
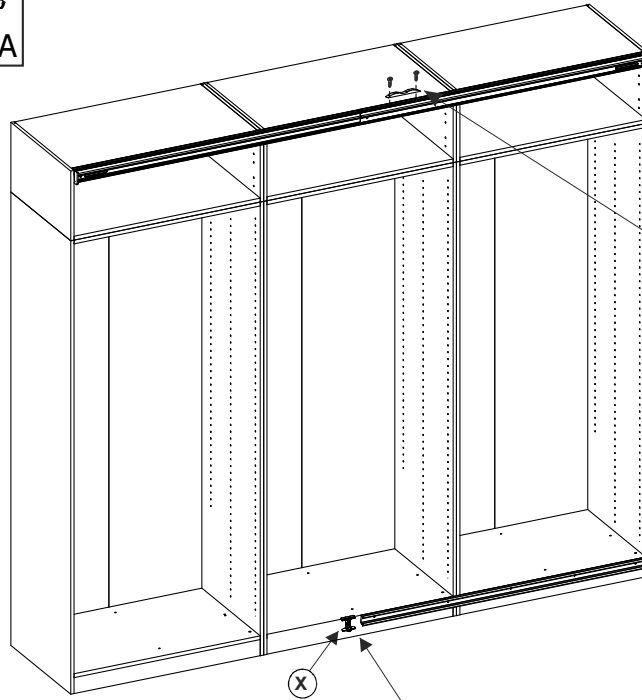
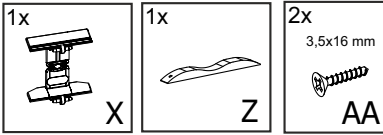
UNIT 2700/2346

11

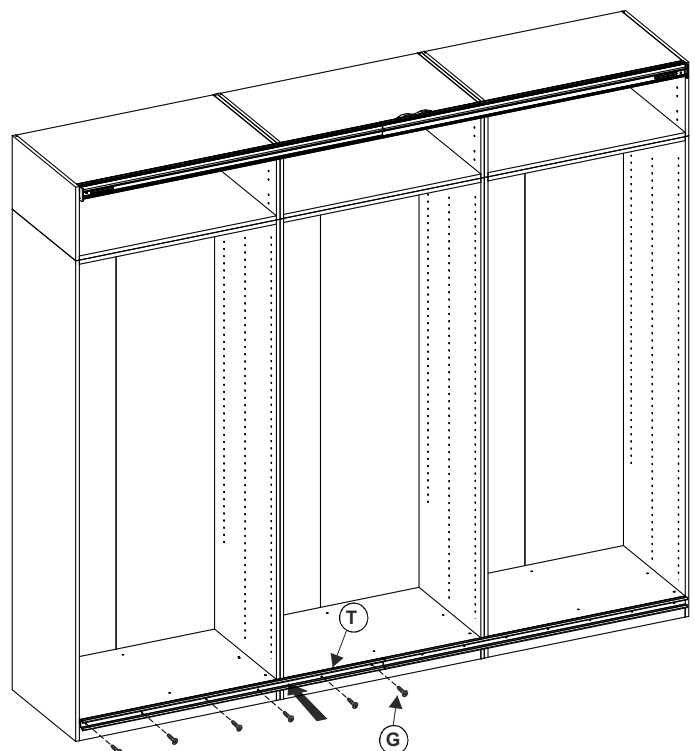
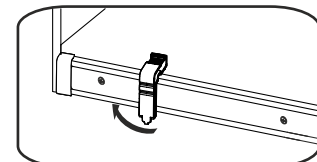
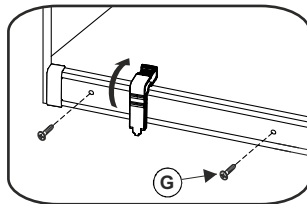
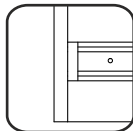
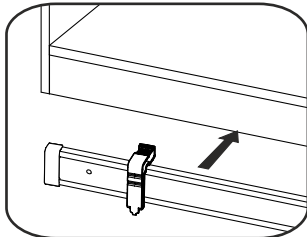
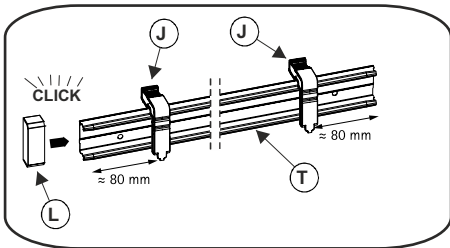
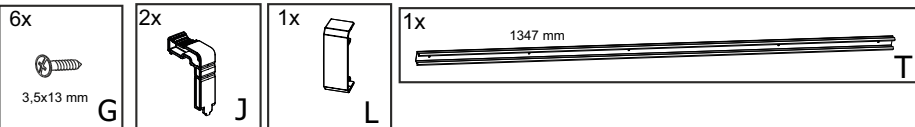


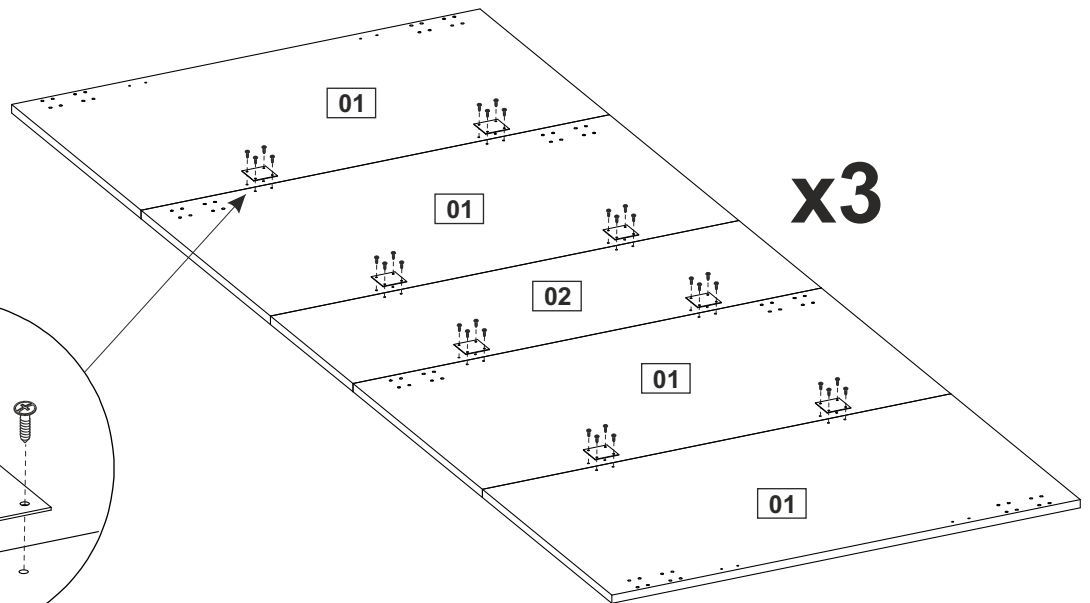
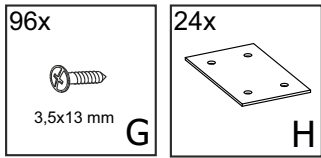
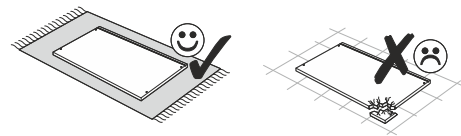
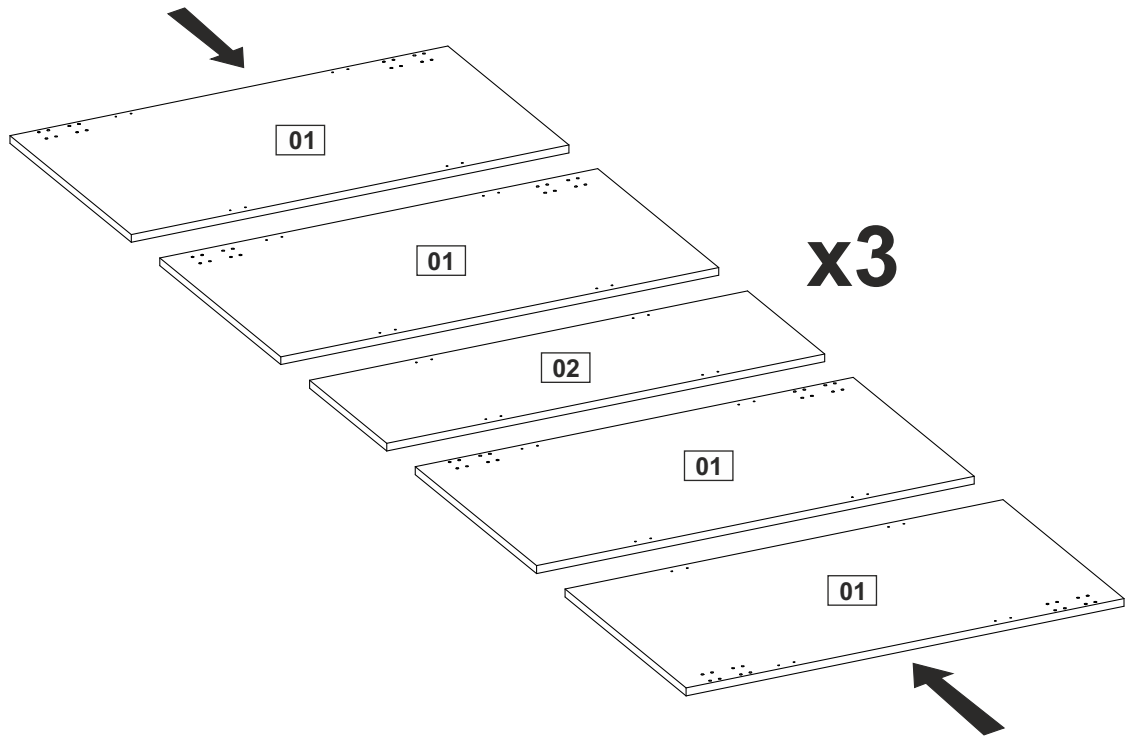
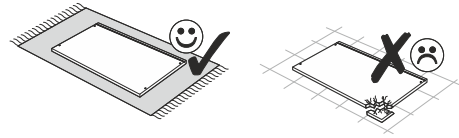
UNIT 2700/2346

12



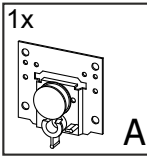
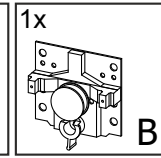
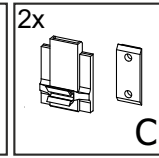
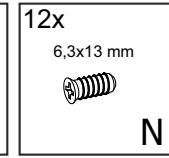
13

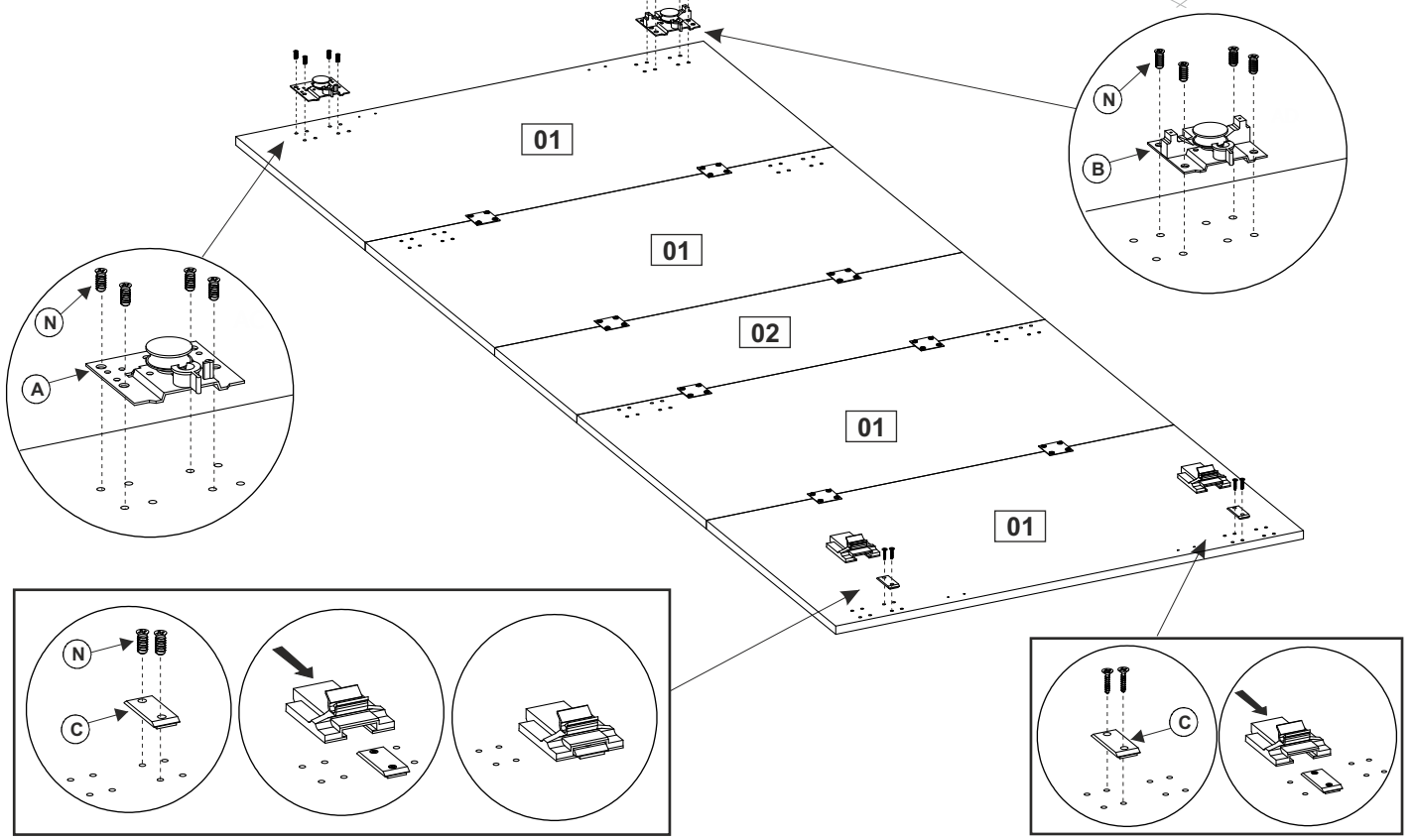
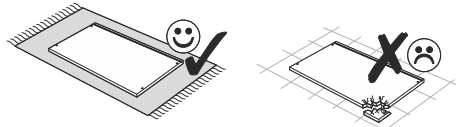




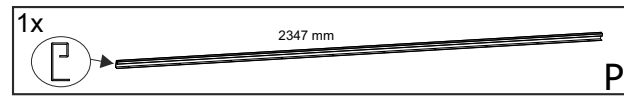
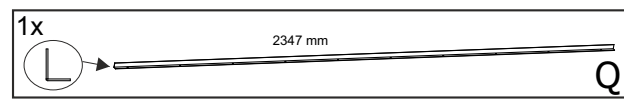
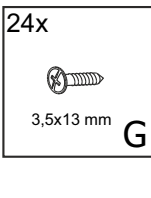
UNIT 2700/2346

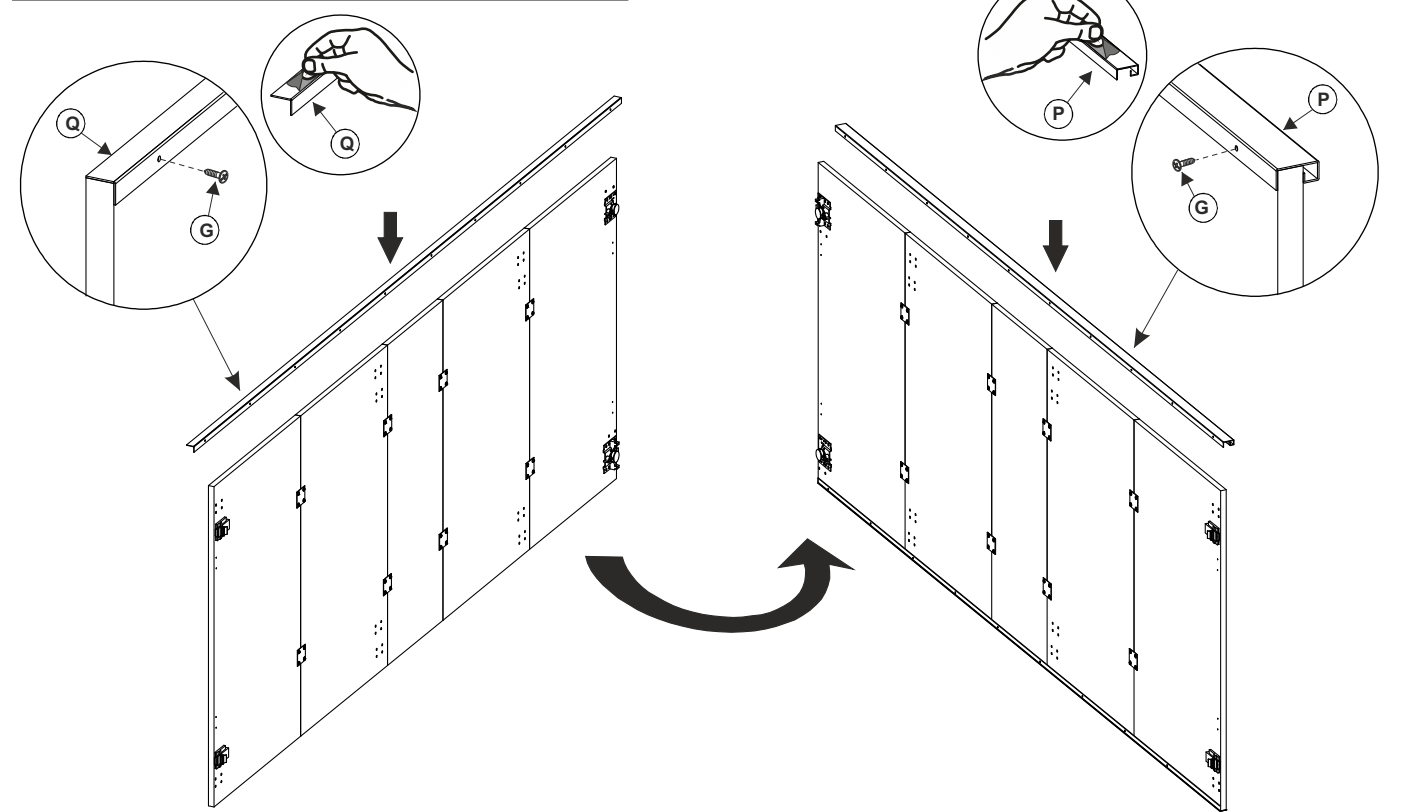
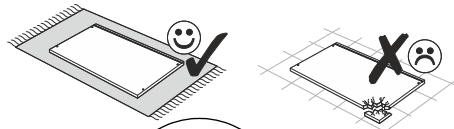
16

- 1x  **A**
- 1x  **B**
- 2x  **C**
- 12x  **N**
6,3x13 mm



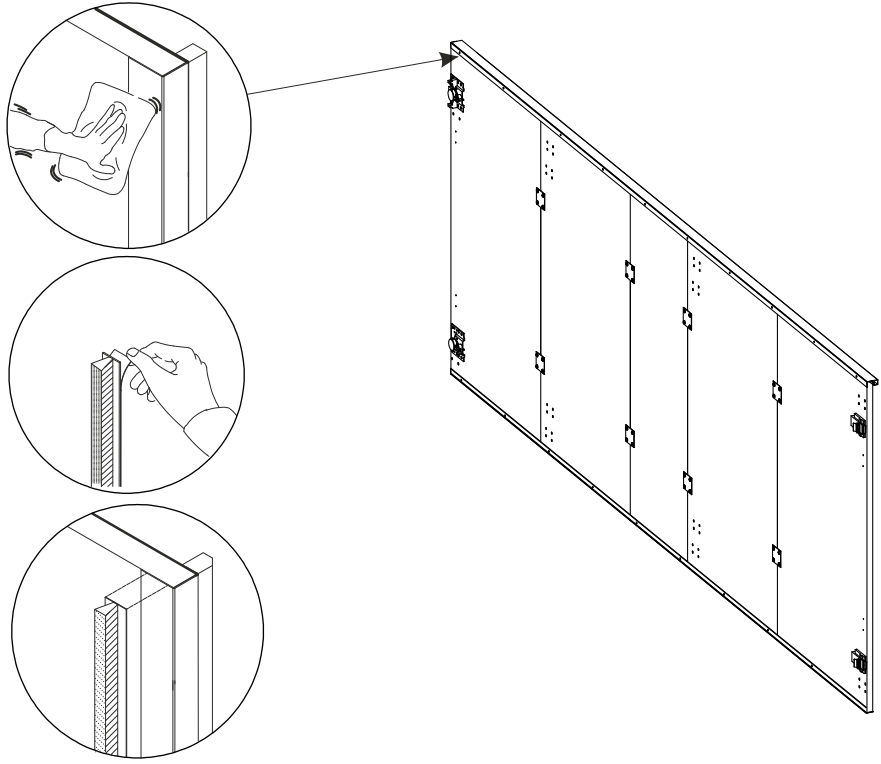
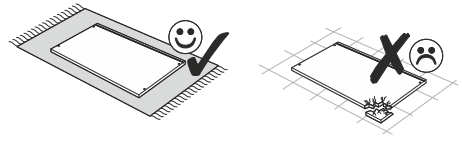
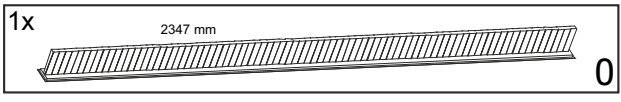
17

- 1x  **P**
2347 mm
- 1x  **Q**
2347 mm
- 24x  **G**
3,5x13 mm

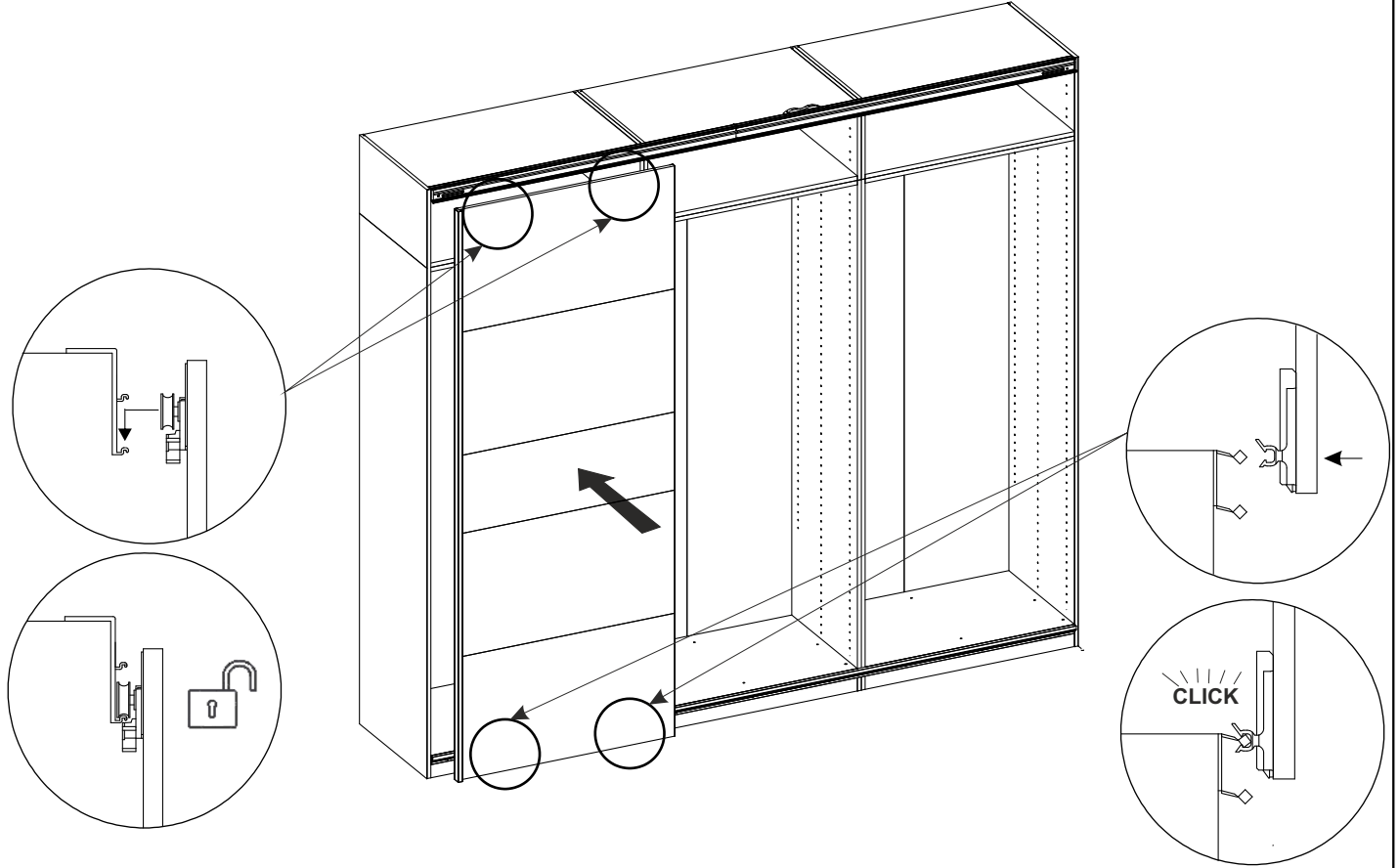


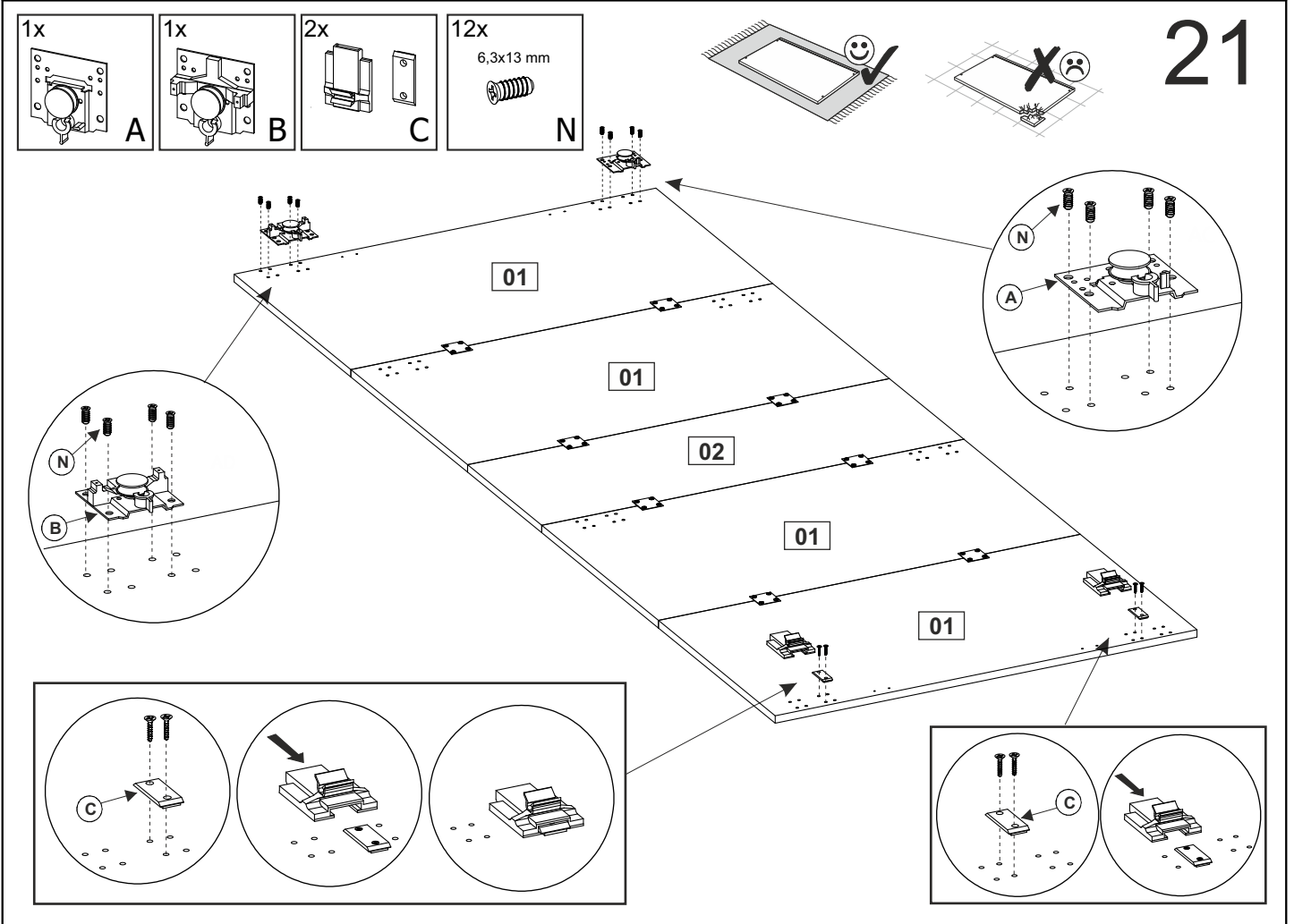
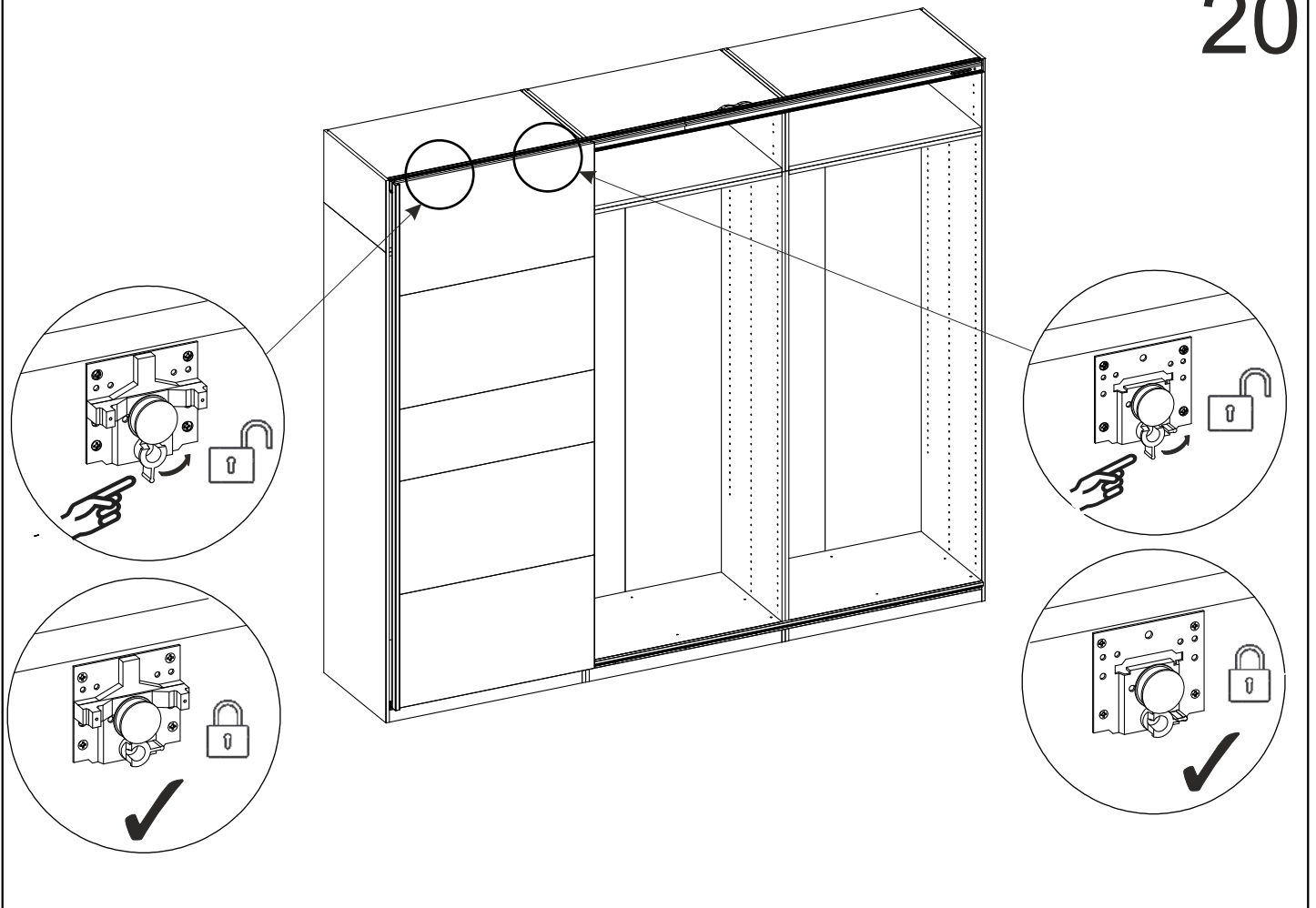
UNIT 2700/2346

18



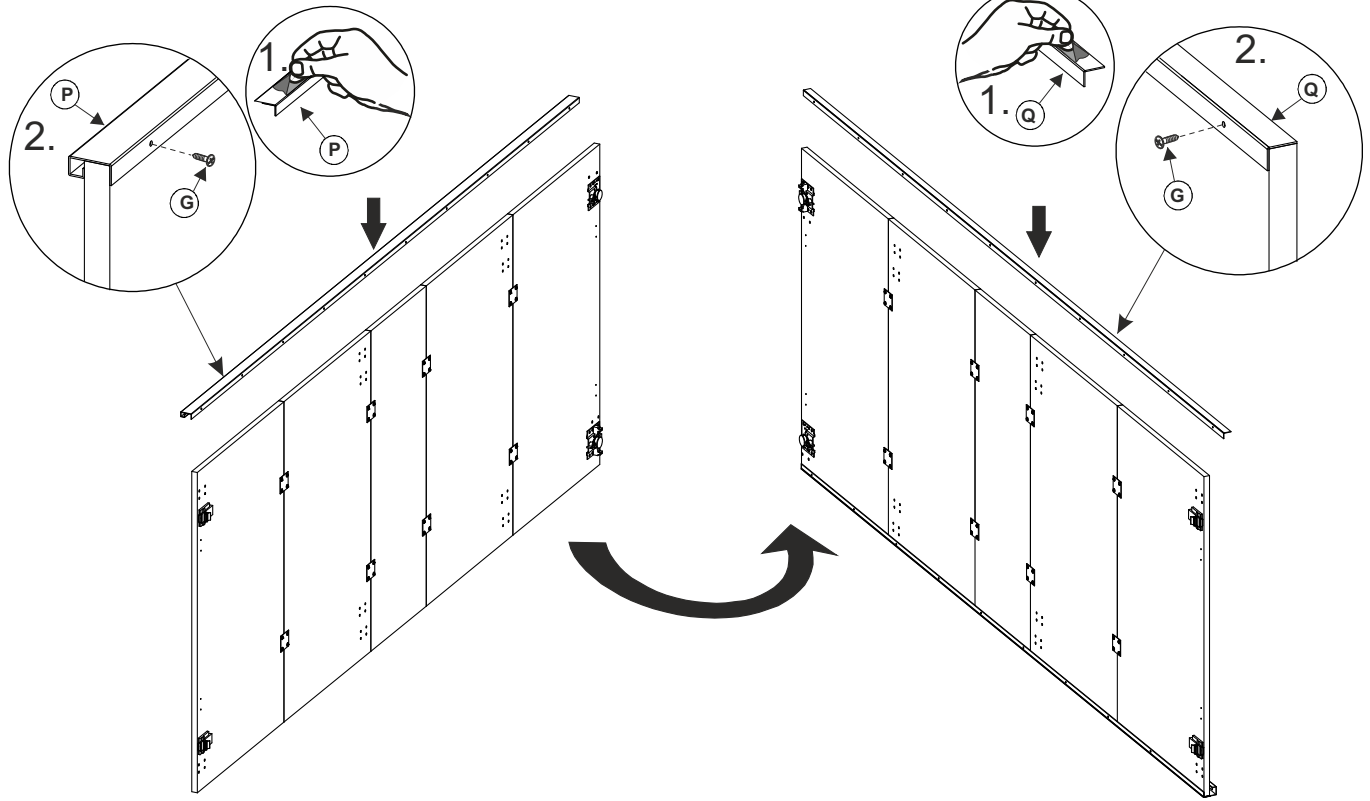
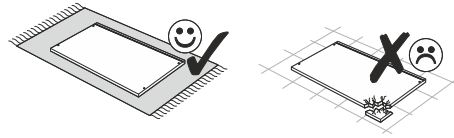
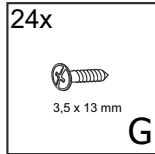
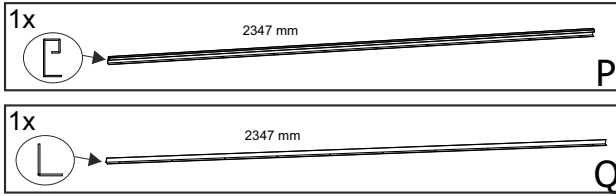
19



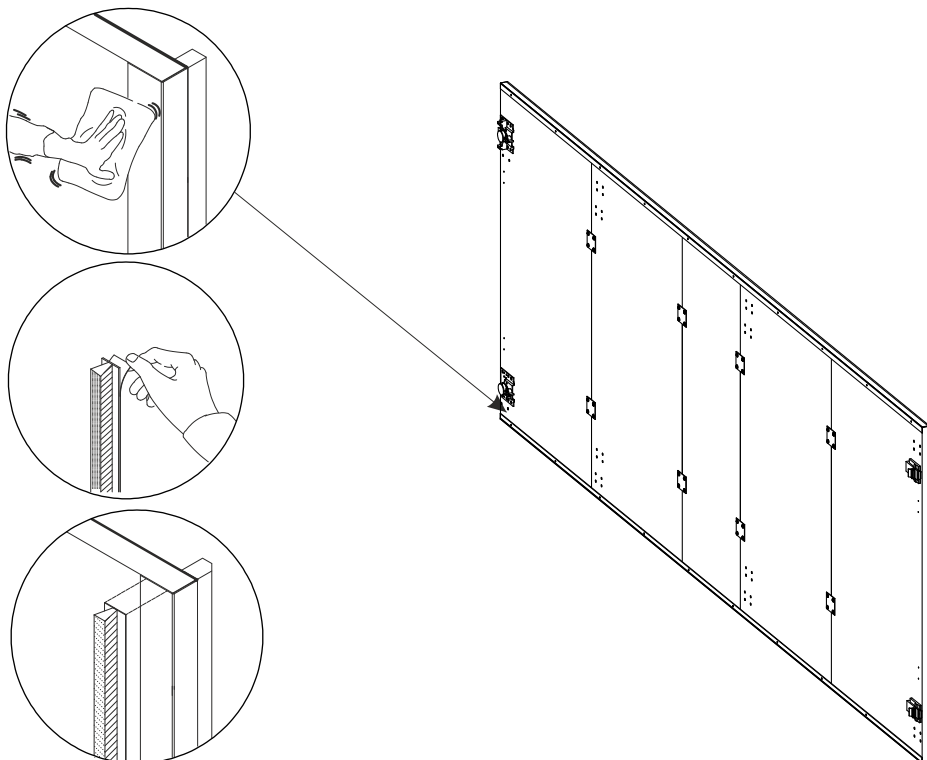
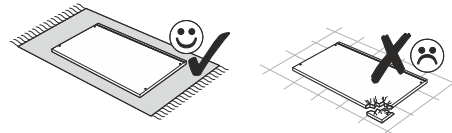
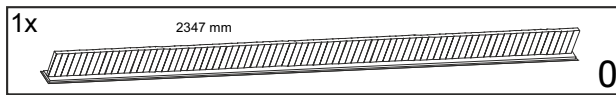


UNIT 2700/2346

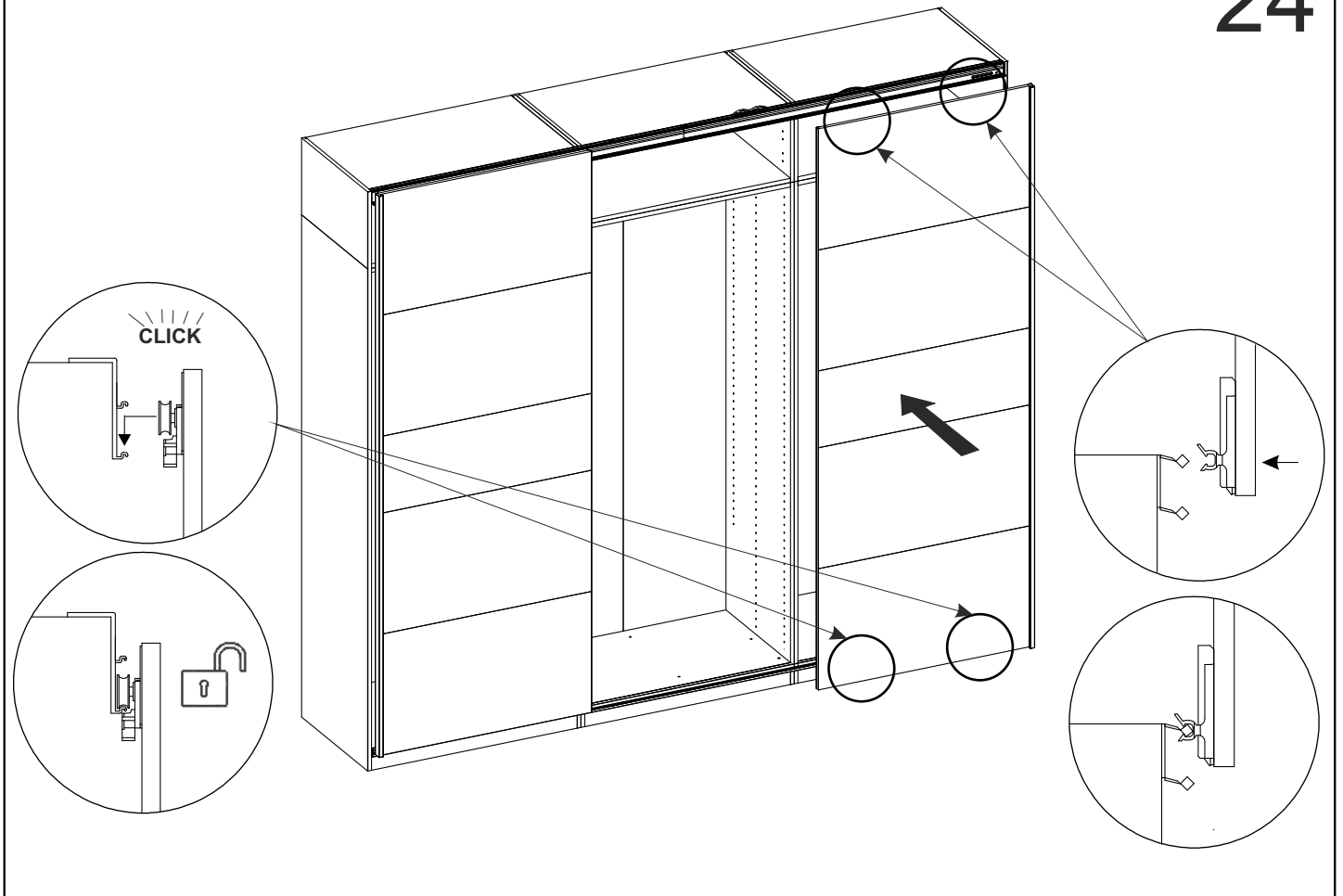
22



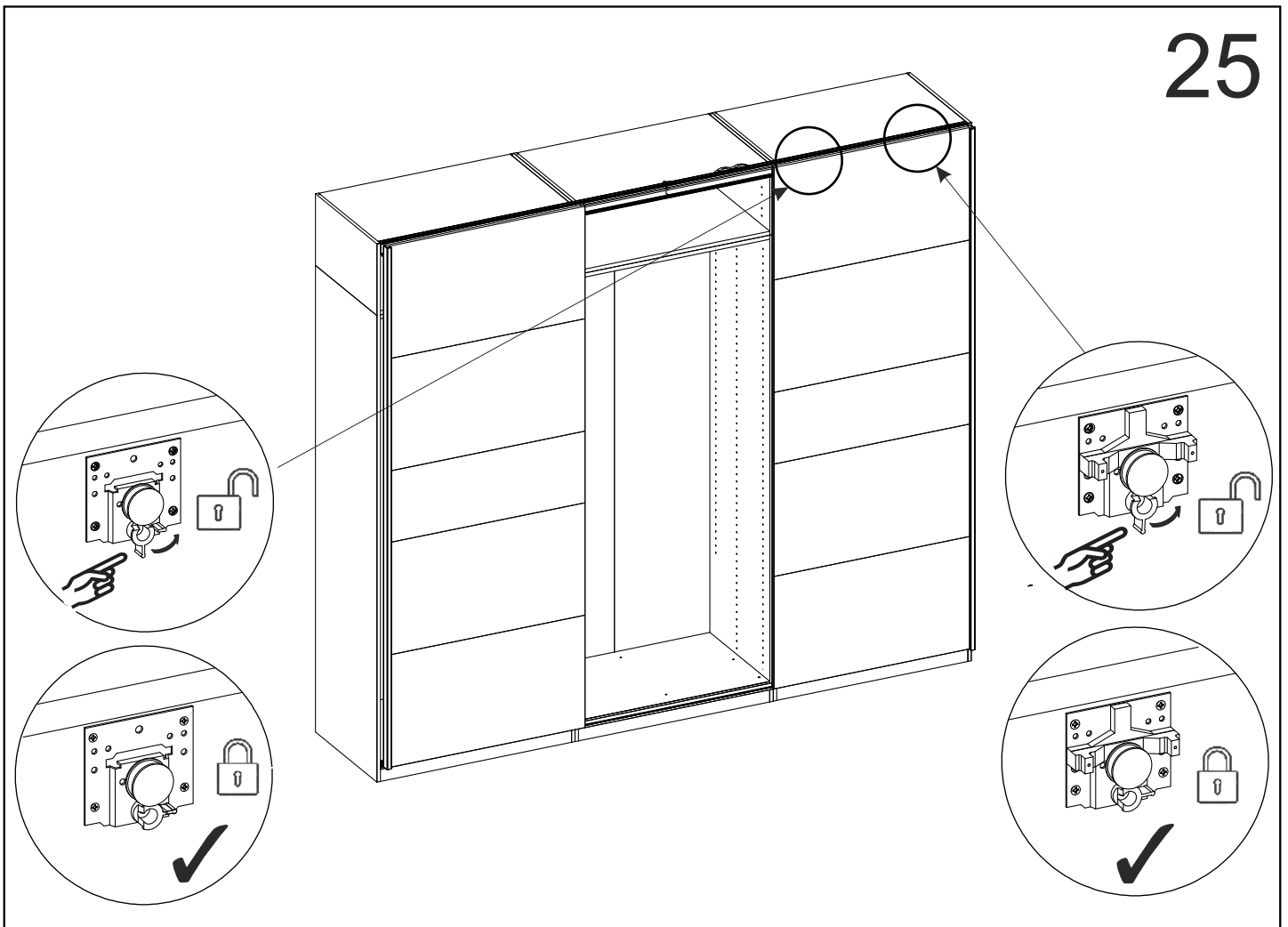
23



24

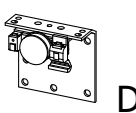
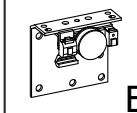
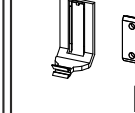
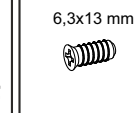
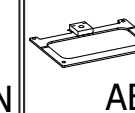
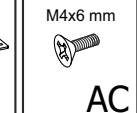


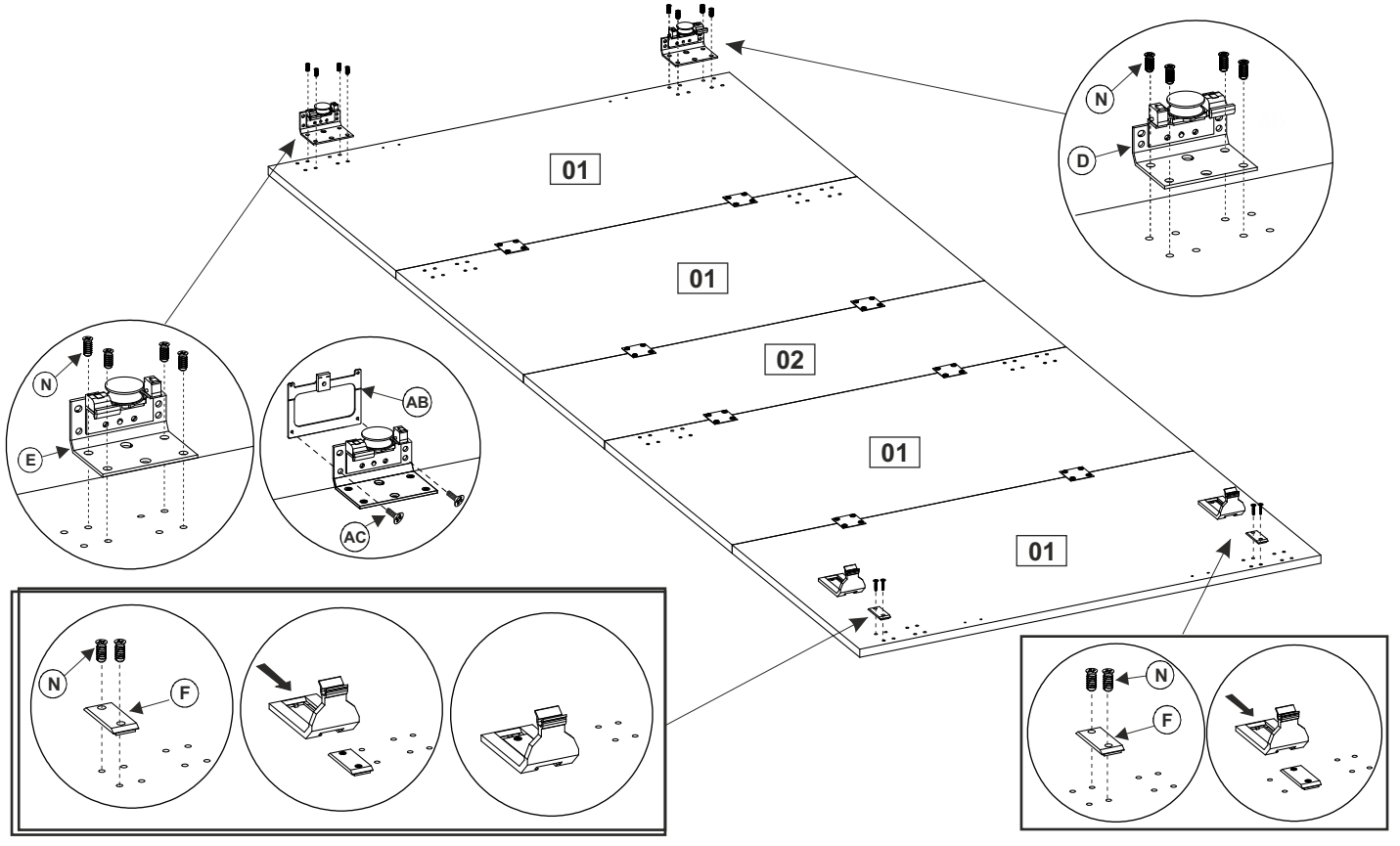
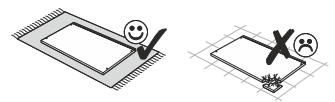
25



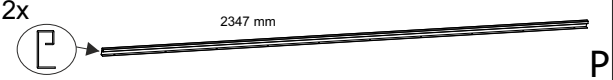

UNIT 2700/2346

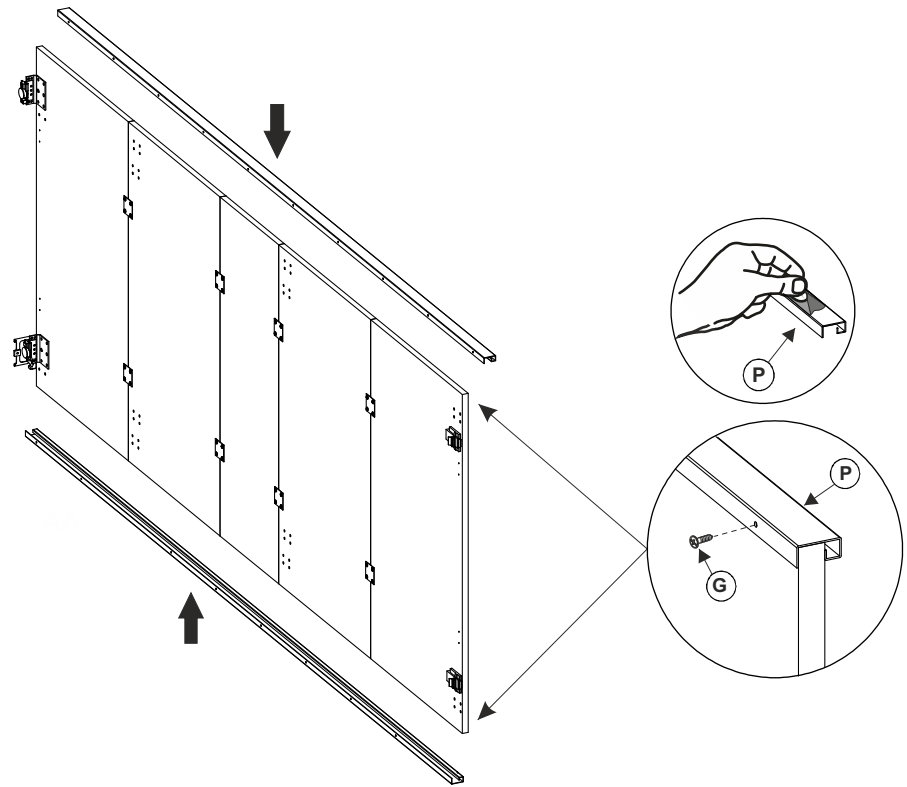
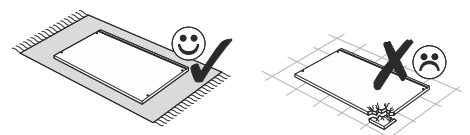
26

- 1x  **D**
- 1x  **E**
- 2x  **F**
- 12x  **N**
6,3x13 mm
- 1x  **AB**
- 2x  **AC**
M4x6 mm

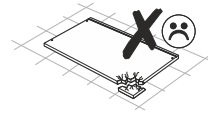
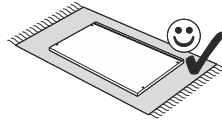
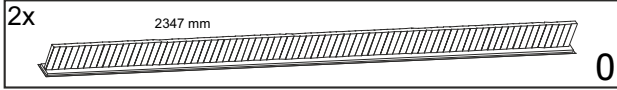


27

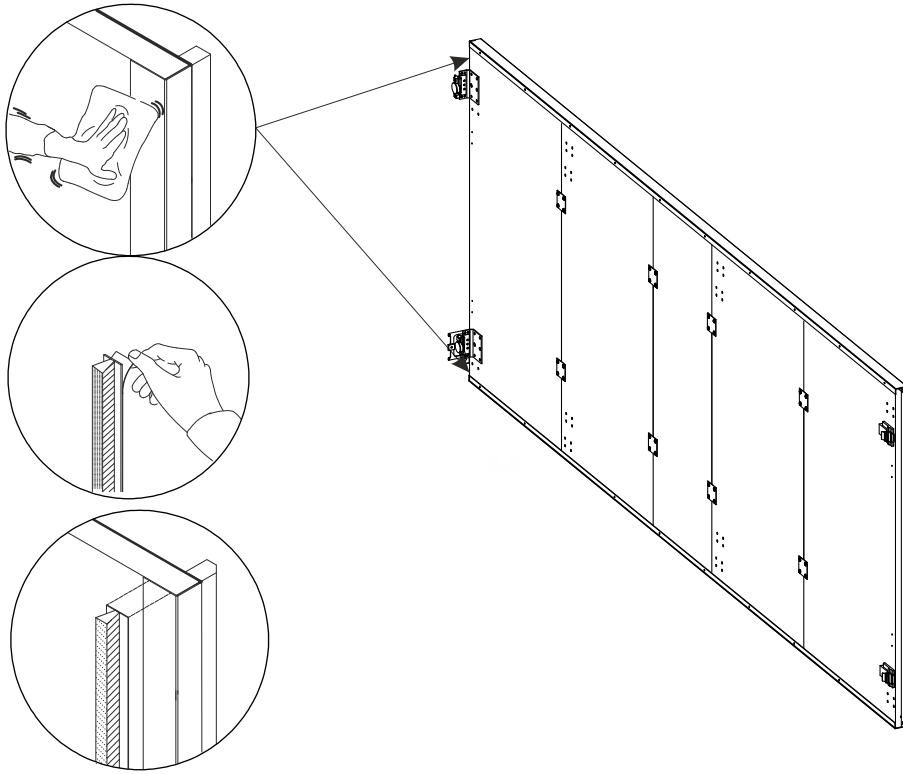
- 2x  **P**
2347 mm
- 24x  **G**
3,5x13 mm



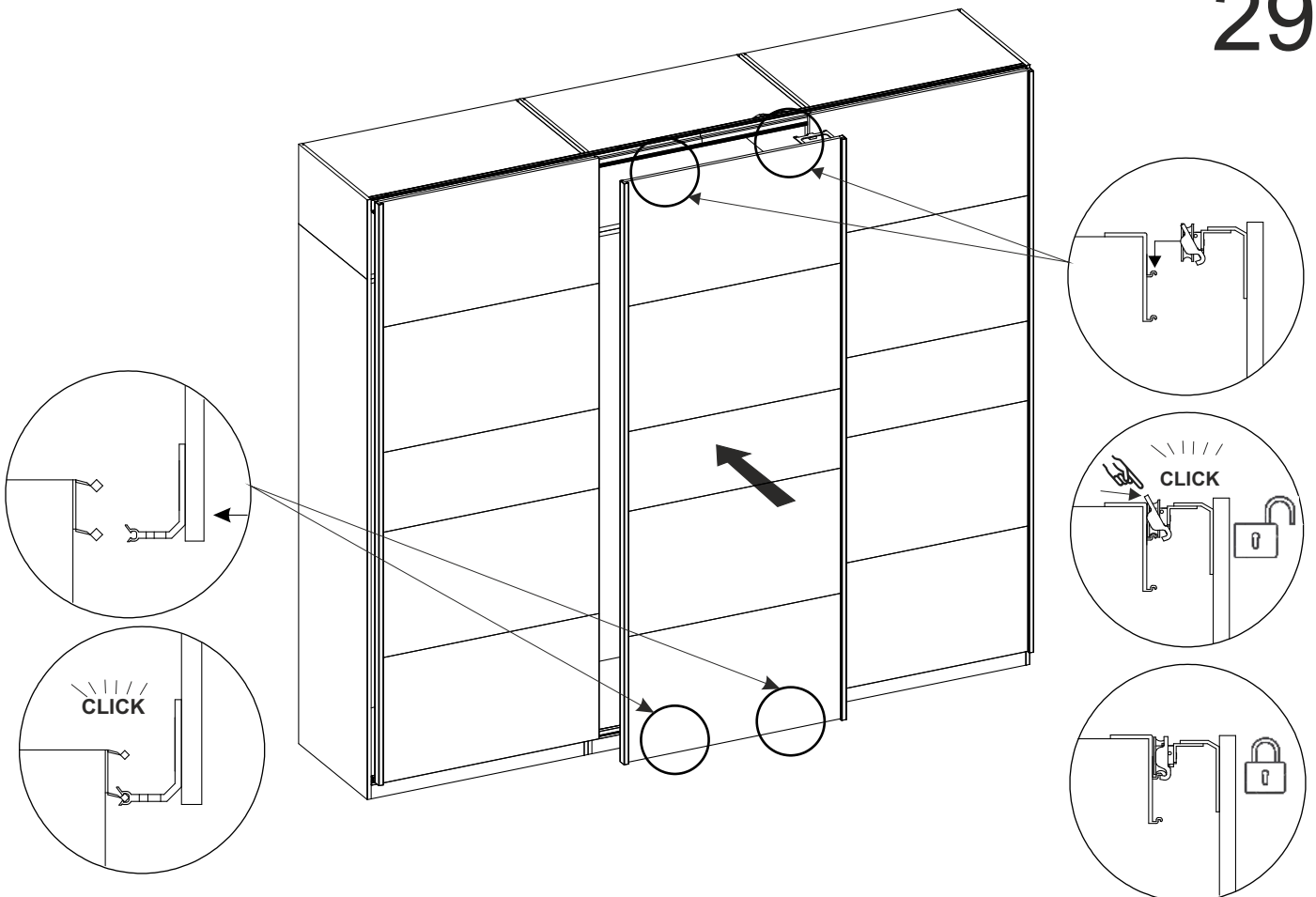
UNIT 2700/2346



28



29



UNIT 2700/2346

30

