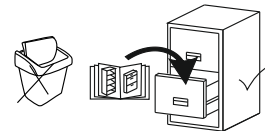
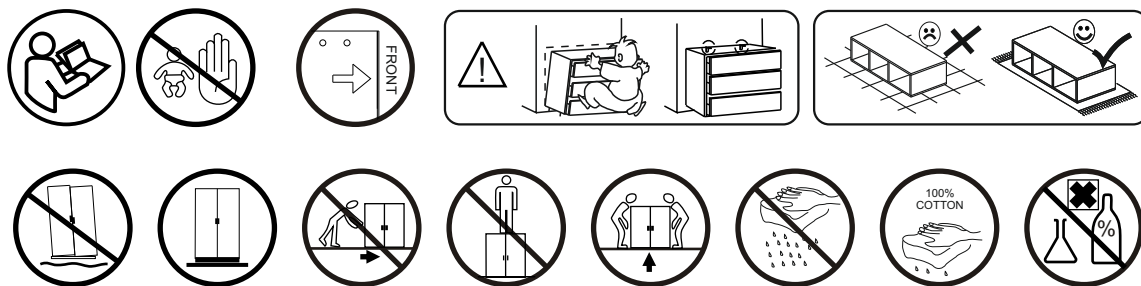
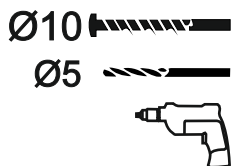
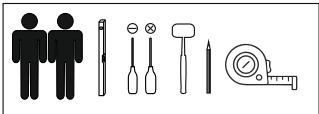
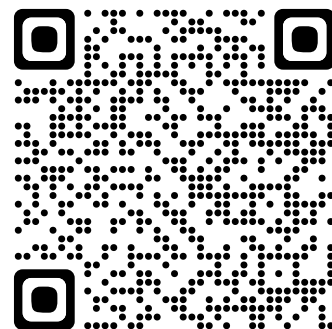
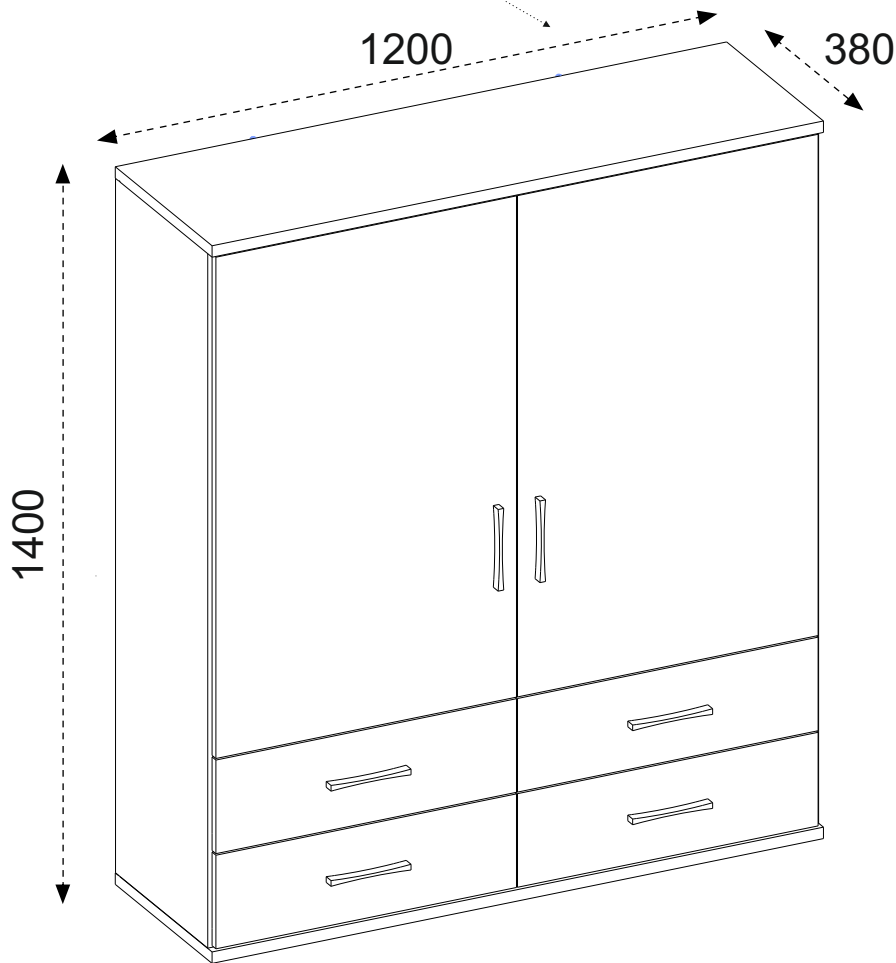
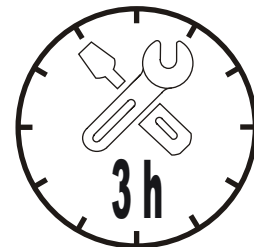


SERIA: .../...

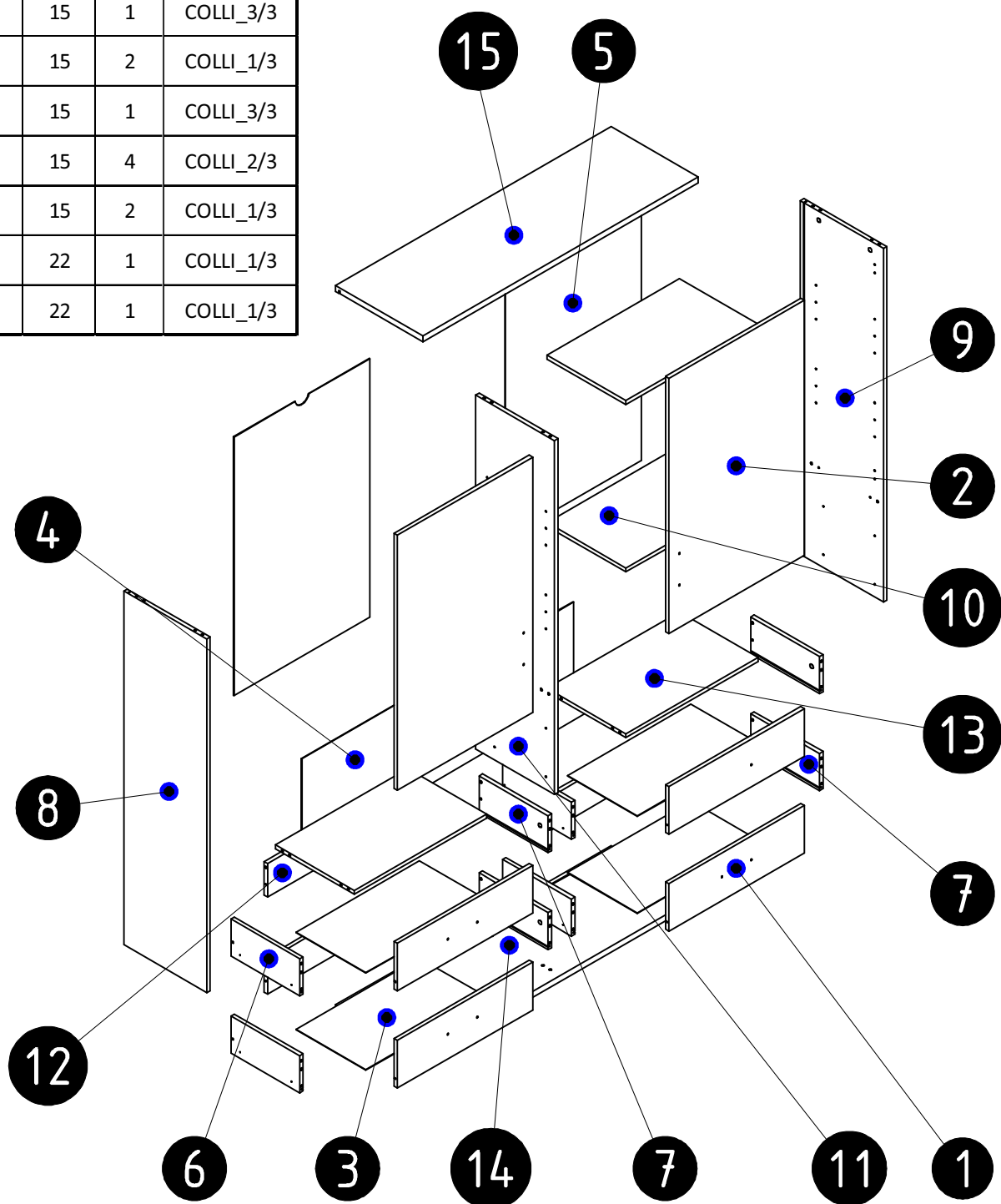
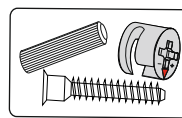


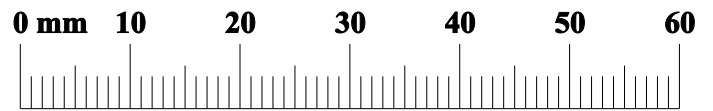
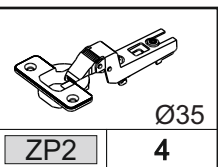
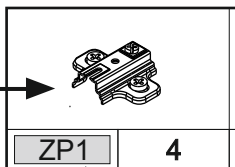
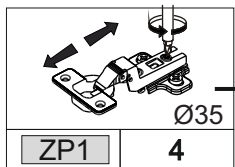
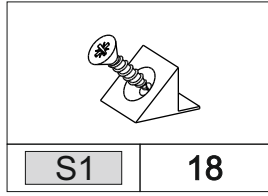
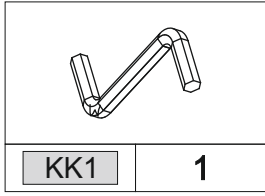
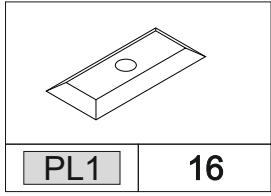
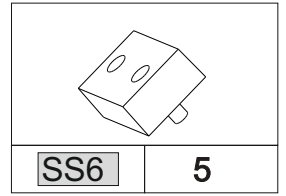
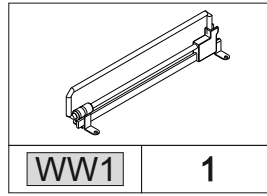
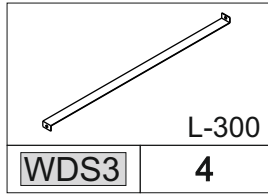
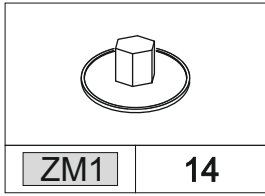
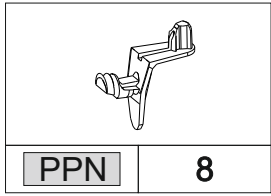
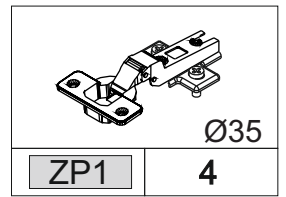
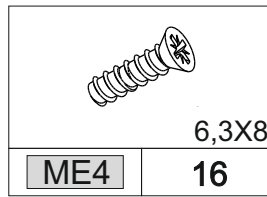
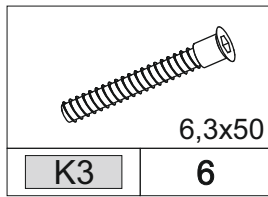
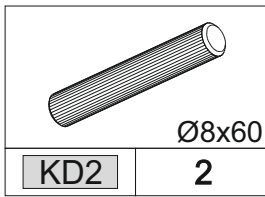
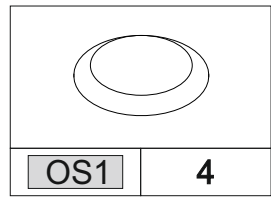
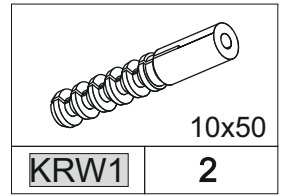
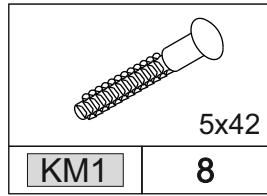
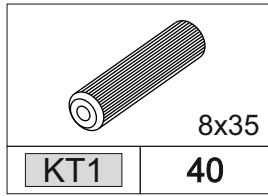
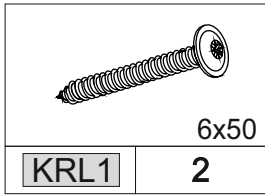
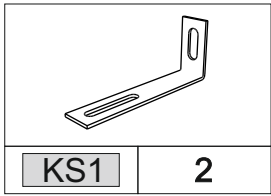
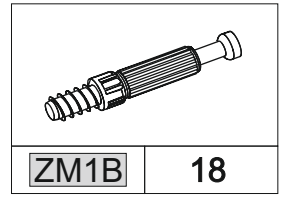
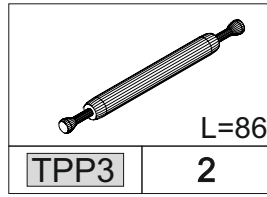
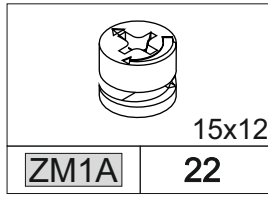
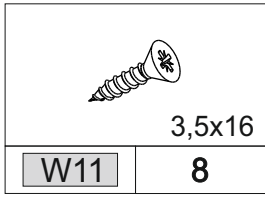
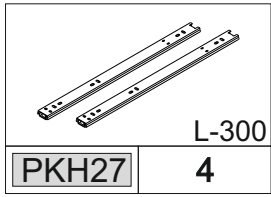
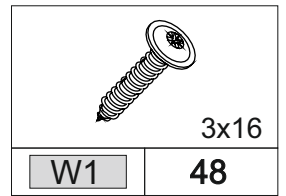
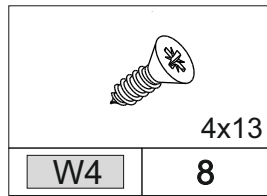
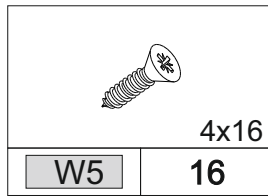
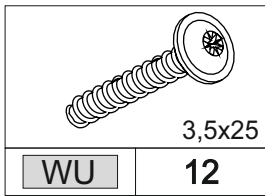
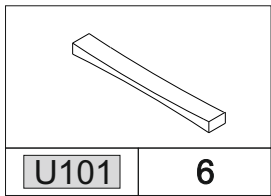
ADELINE
2D4S
SERIA: ../..



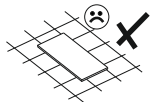
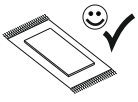
N	L [mm]	W [mm]	T [mm]	Q	COLLI
1	590	180	15	4	COLLI_2/3
2	590	964	15	2	COLLI_2/3
3	538	305	3	4	COLLI_2/3
4	1184	375	3	1	COLLI_1/3
5	977	592	3	2	COLLI_2/3
6	300	140	15	4	COLLI_2/3
7	300	140	15	4	COLLI_2/3
8	1336	362	15	1	COLLI_3/3
9	1336	362	15	1	COLLI_3/3
10	577	344	15	2	COLLI_1/3
11	1336	344	15	1	COLLI_3/3
12	526	127	15	4	COLLI_2/3
13	577	344	15	2	COLLI_1/3
14	1200	380	22	1	COLLI_1/3
15	1200	380	22	1	COLLI_1/3

COLLI 1/3





01



4x



15x12

ZM1A

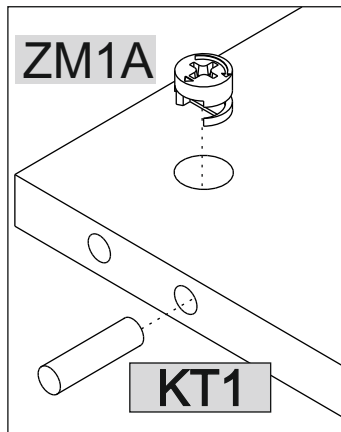
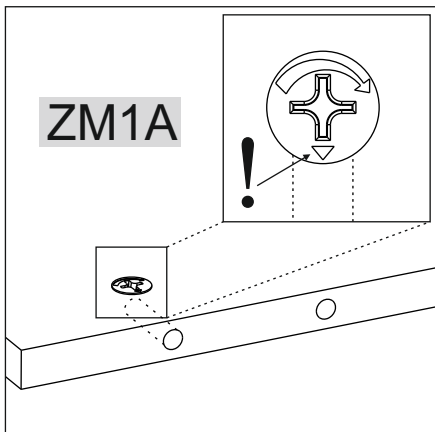
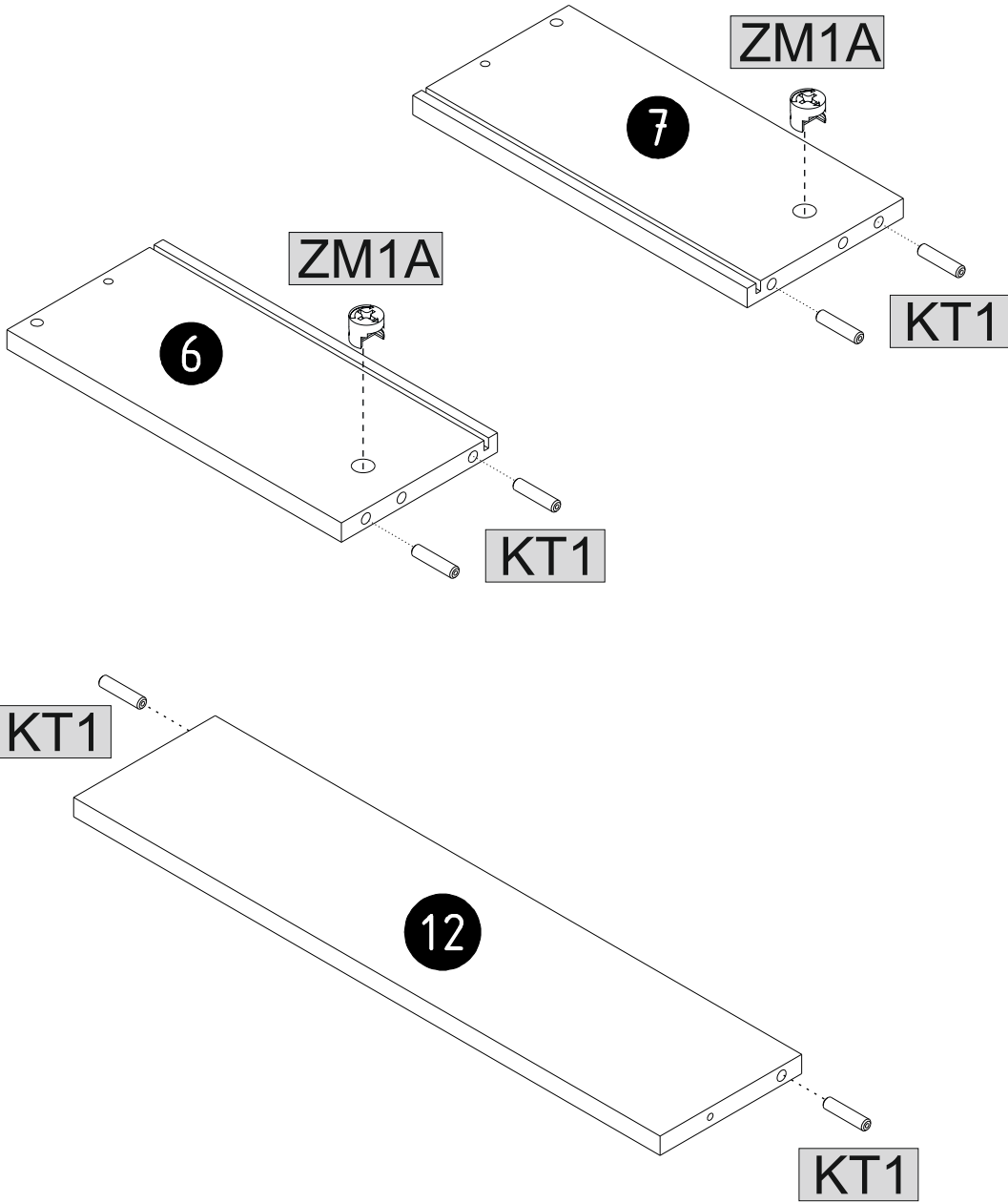
2



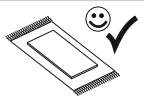
Ø8x35

KT1

6

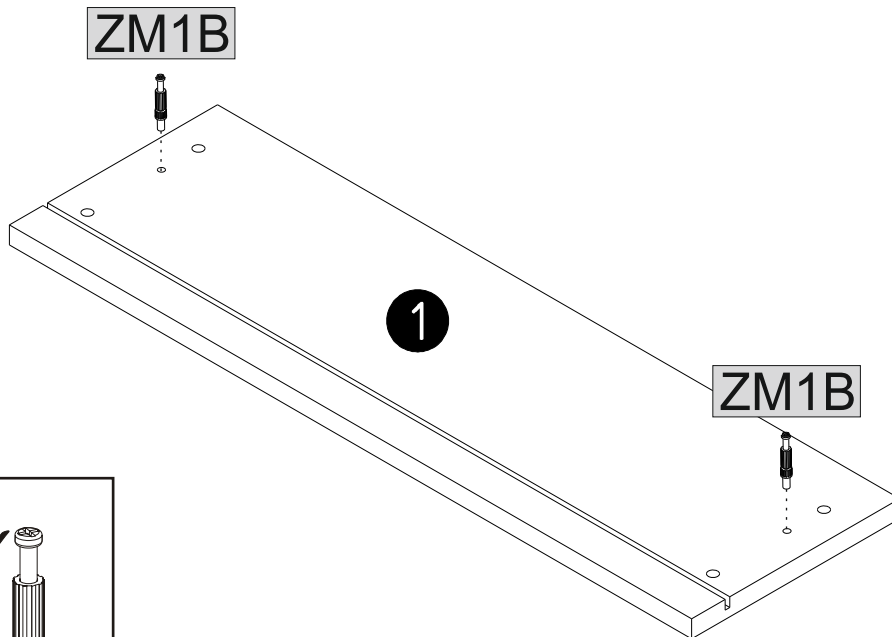


02



ZM1B 2

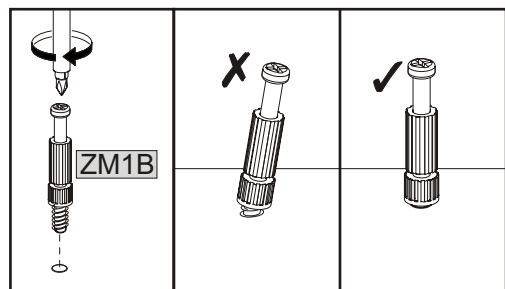
4x



ZM1B

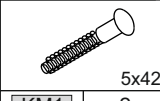
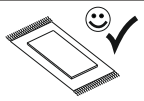
1

ZM1B



ZM1B

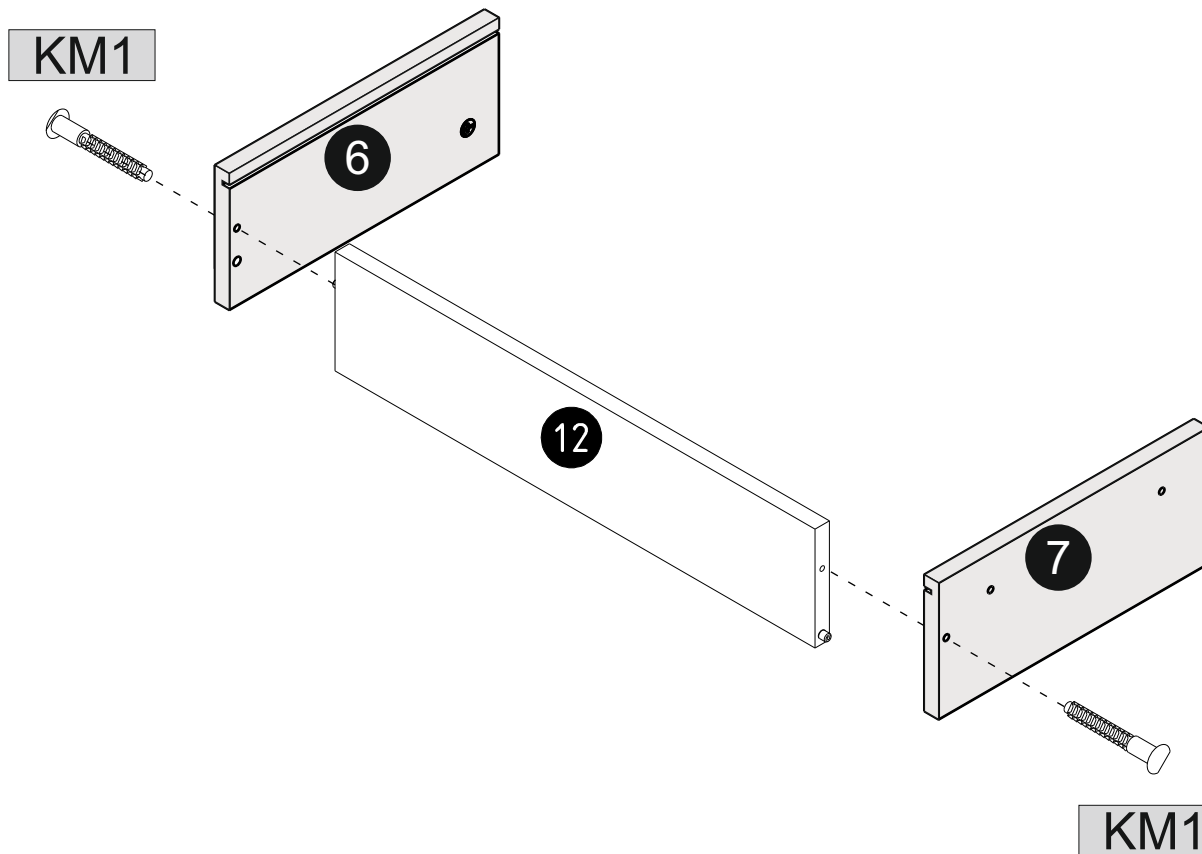
03



5x42

KM1 2

4x



KM1

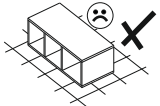
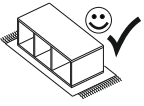
6

12

7

KM1

04



ZM1

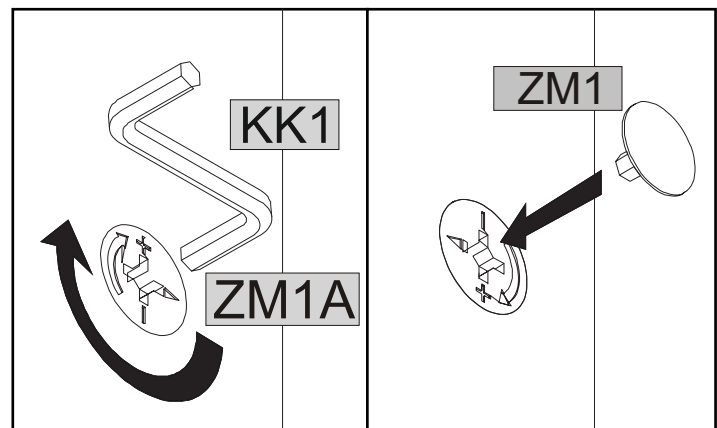
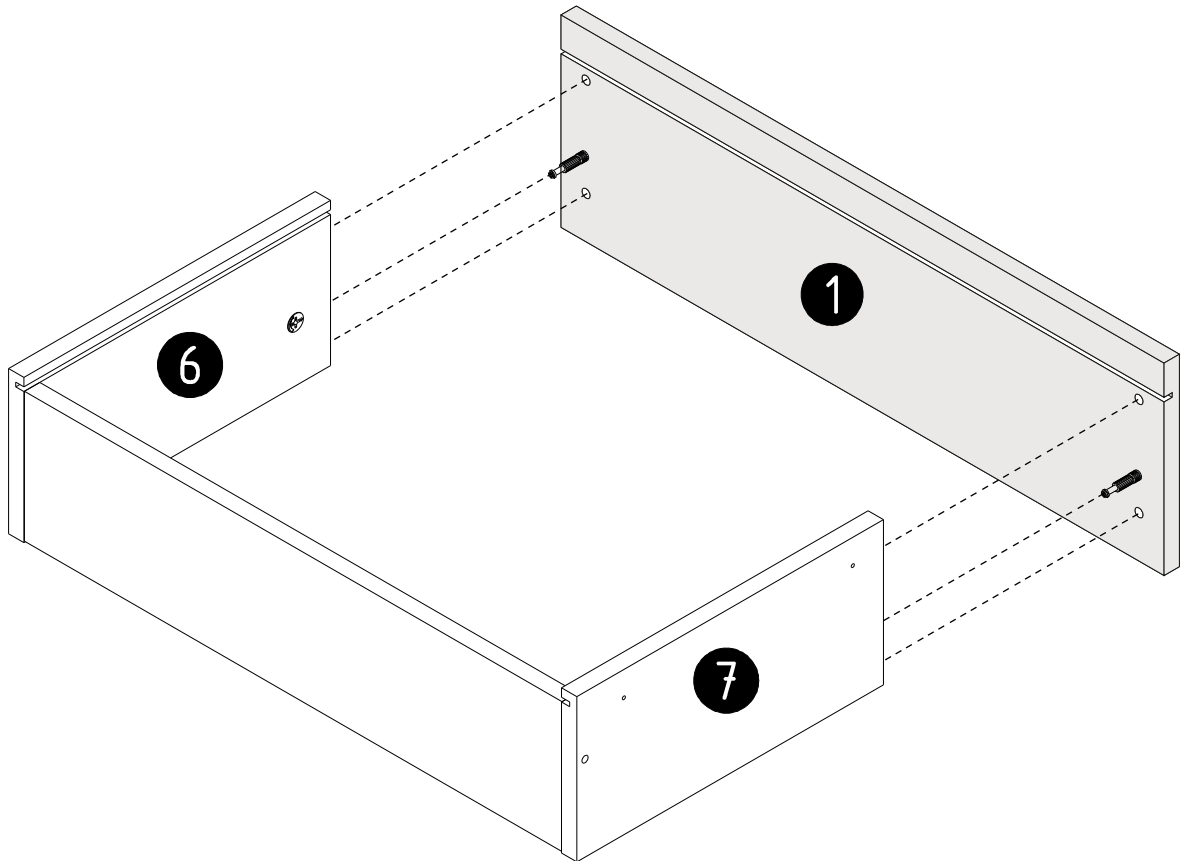
2



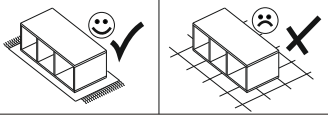
KK1

1

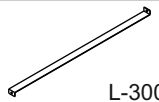



4x

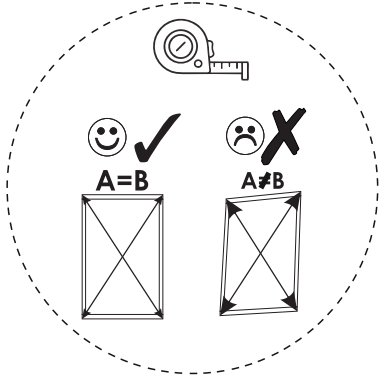
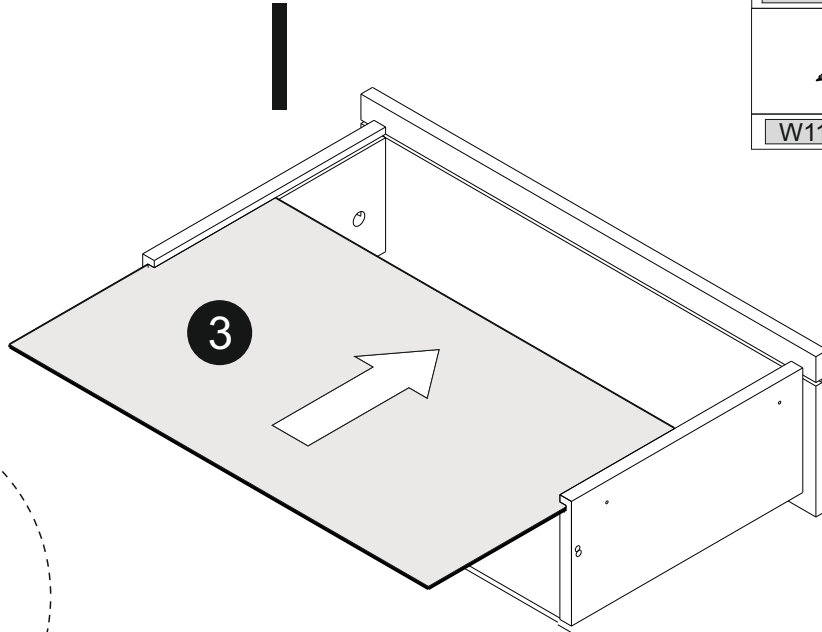


05

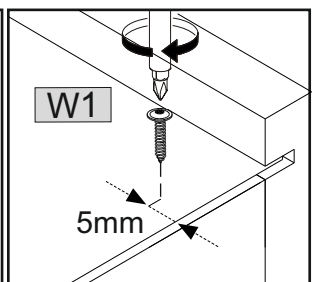
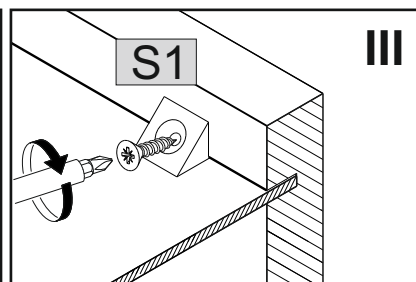
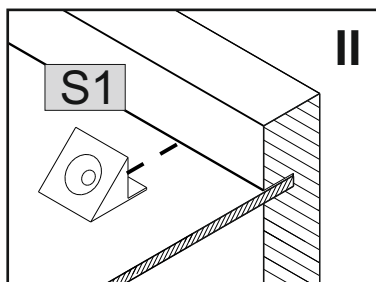
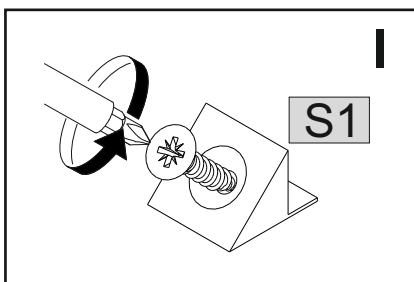
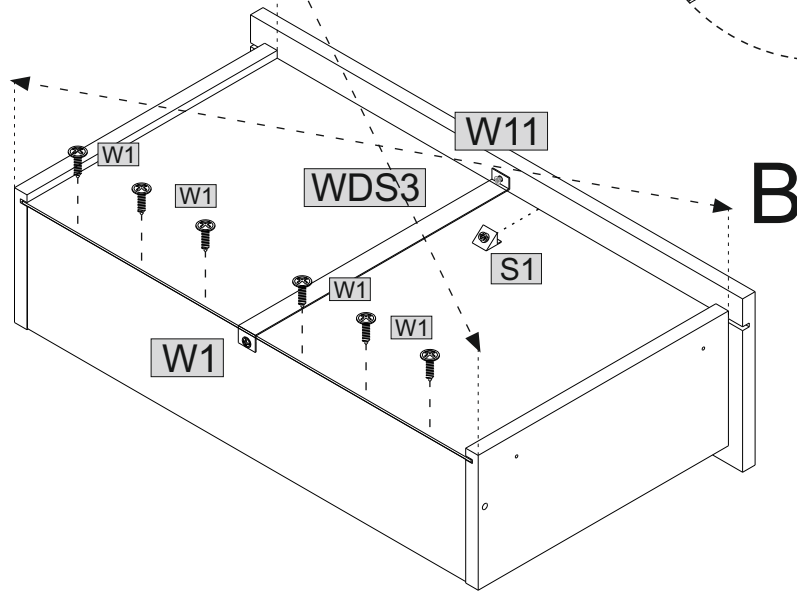
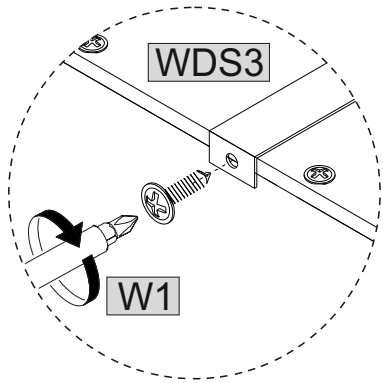
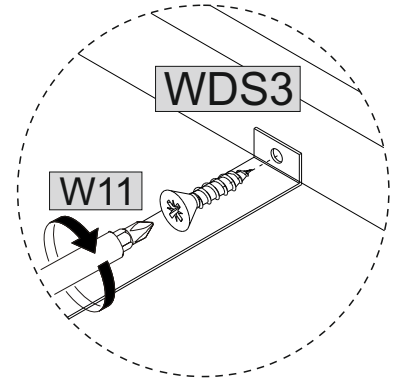


4x

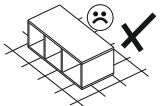
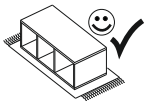
	L-300		3x16
WDS3	1	W1	7
	3,5x16		
W11	1	S1	1



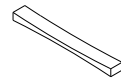
II A



06

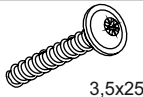


4x



U101

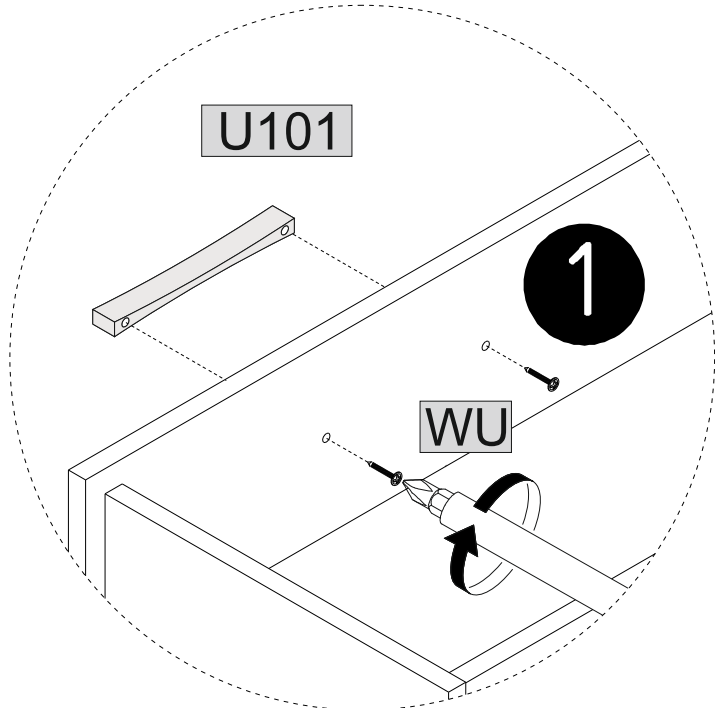
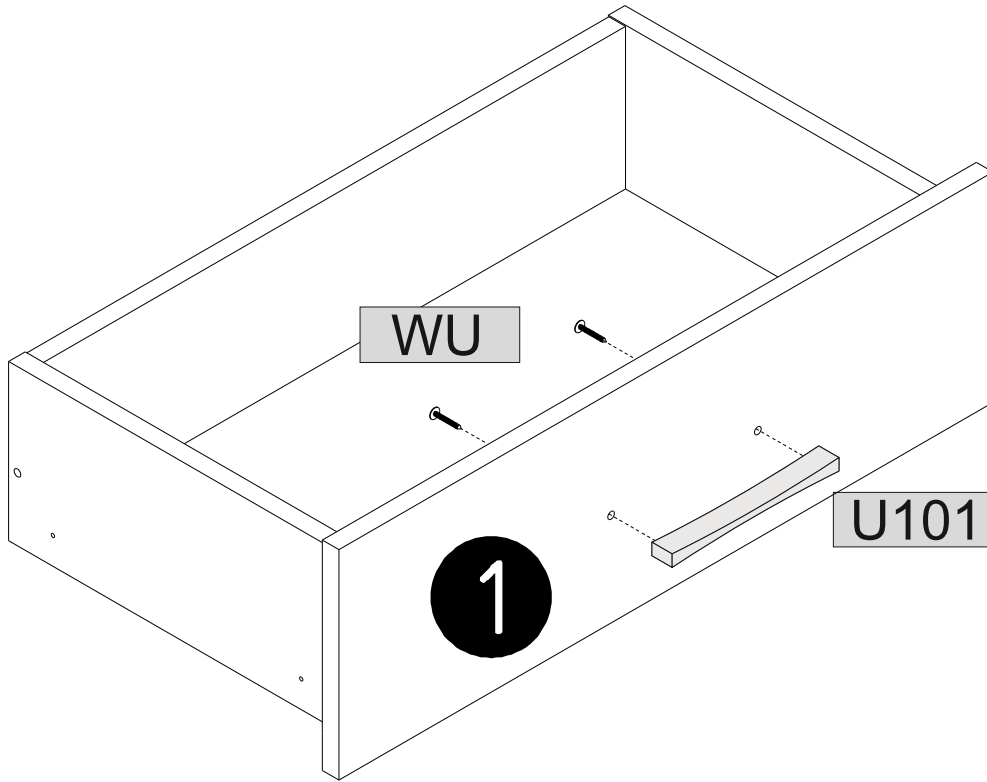
1



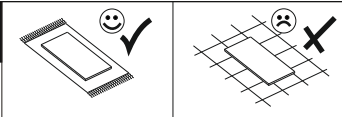
3,5x25

WU

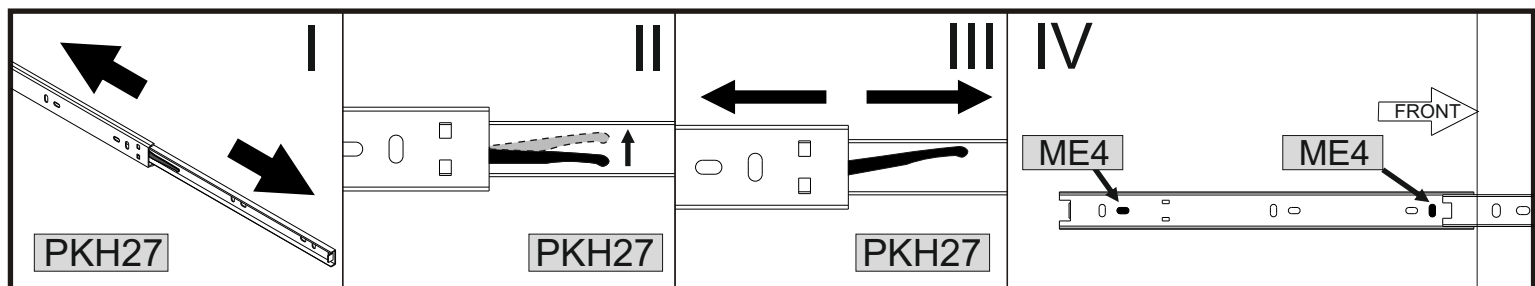
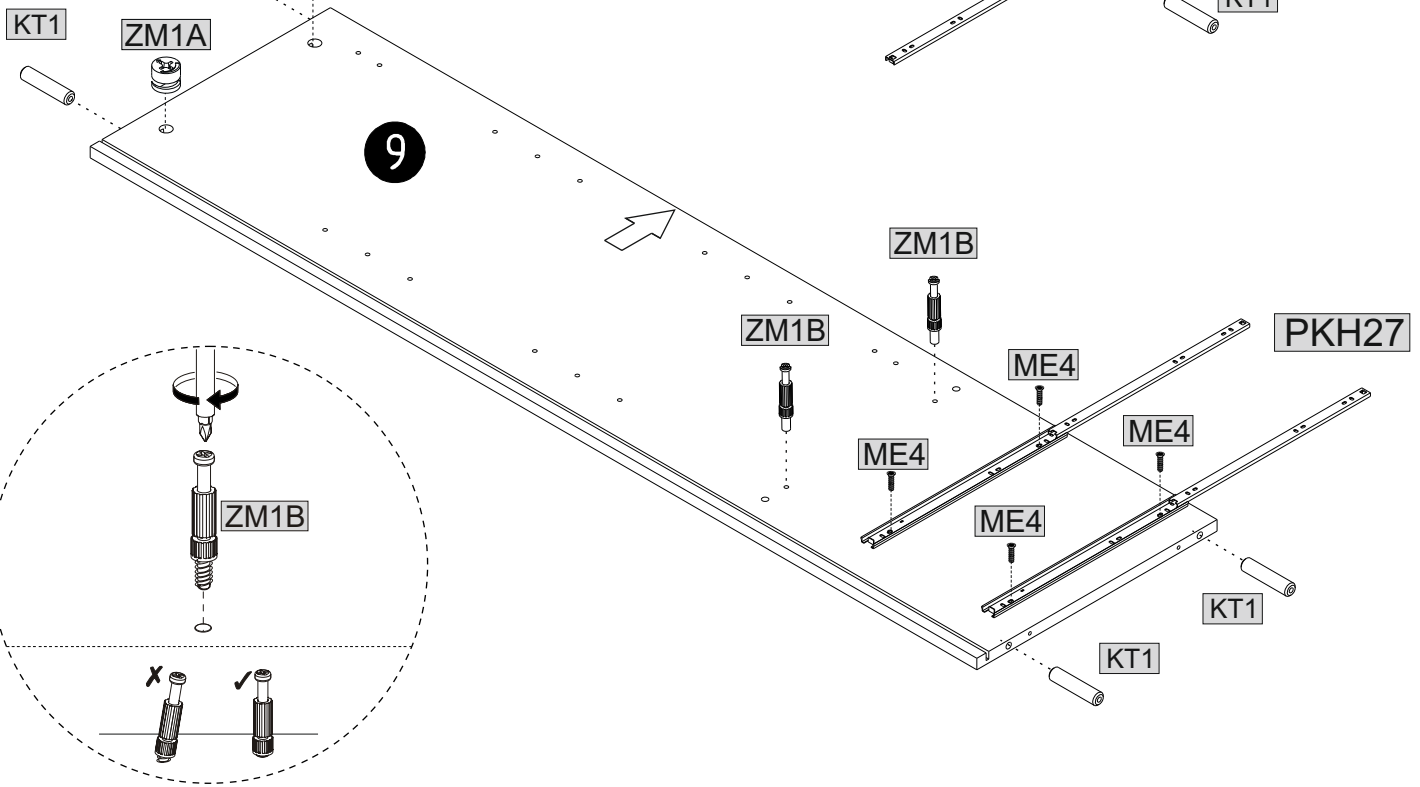
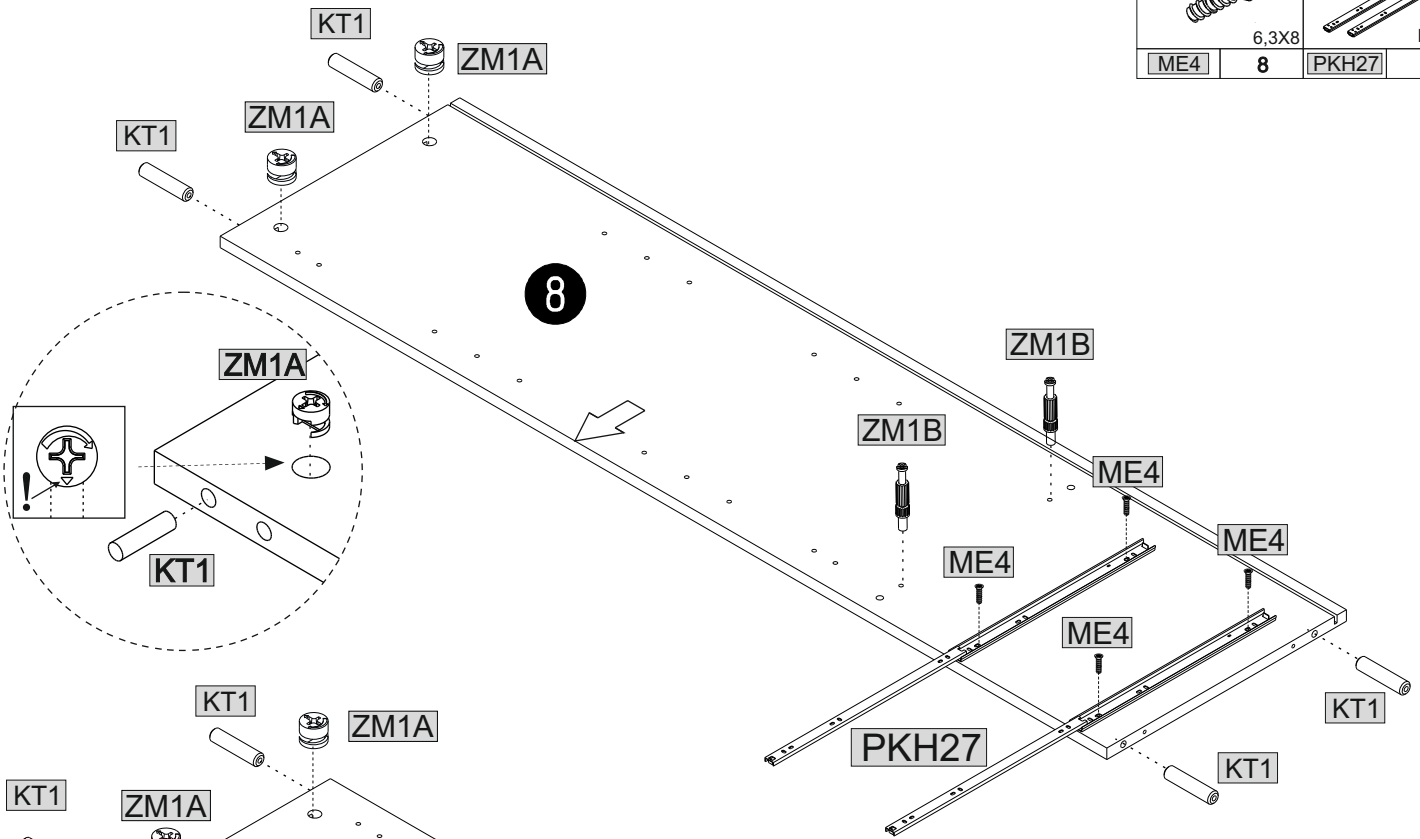
2

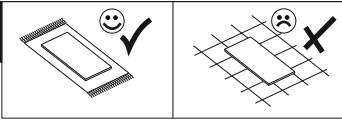






07

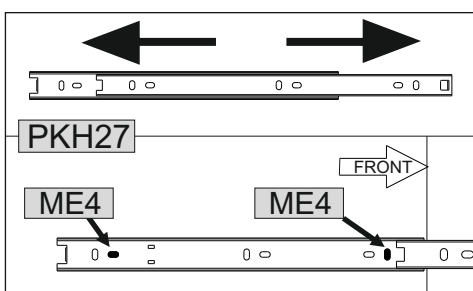
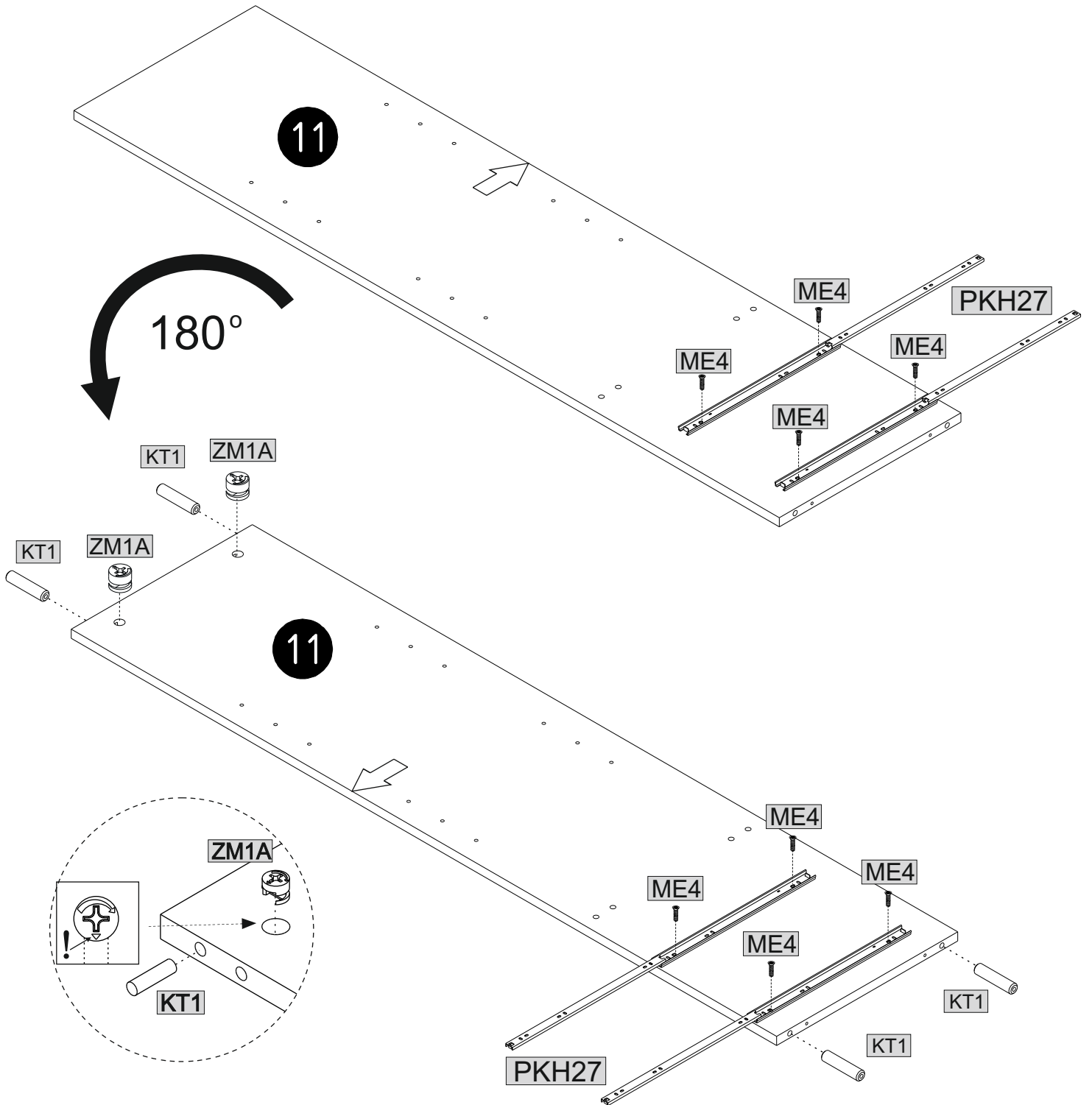


ZM1B	ZM1A	KT1
4	4	8
ME4	L-300	
8	2	

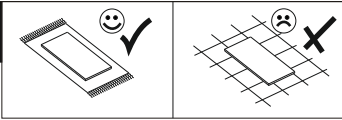




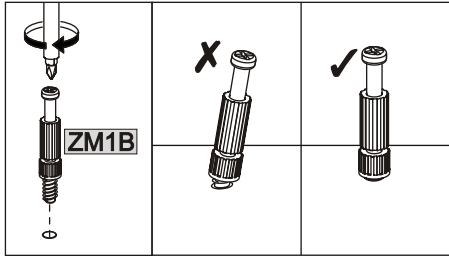
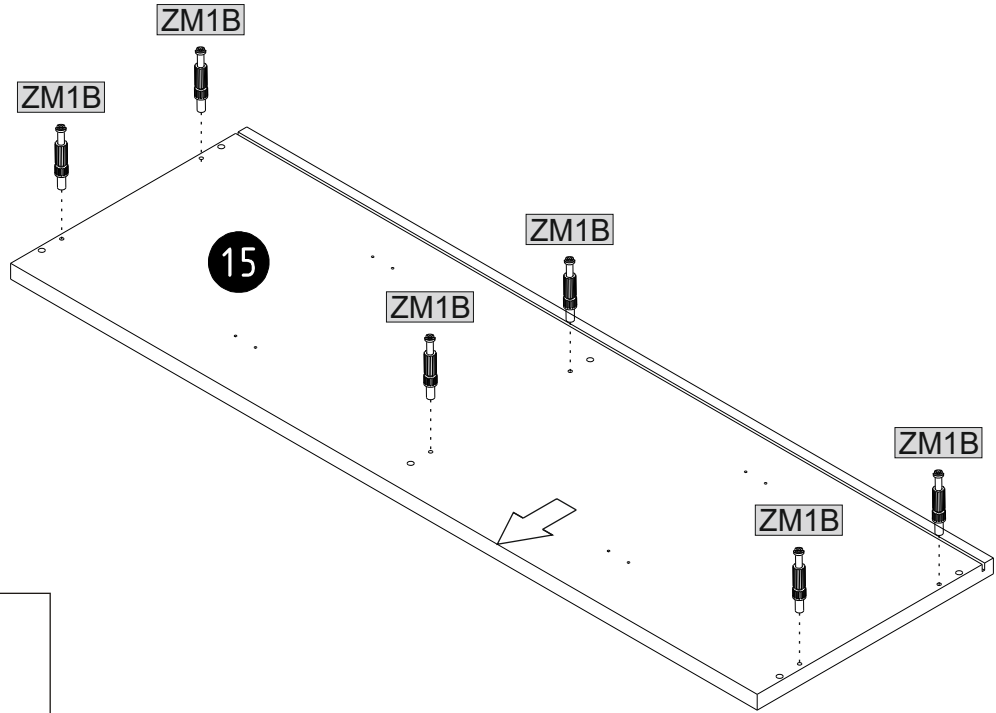
	15x12		Ø8x35		L-300		6,3X13
ZM1A	2	KT1	4	PKH27	2	ME2	8



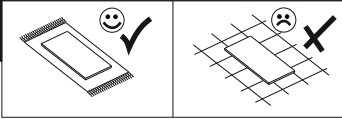
09



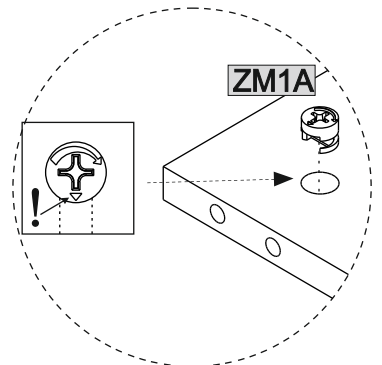
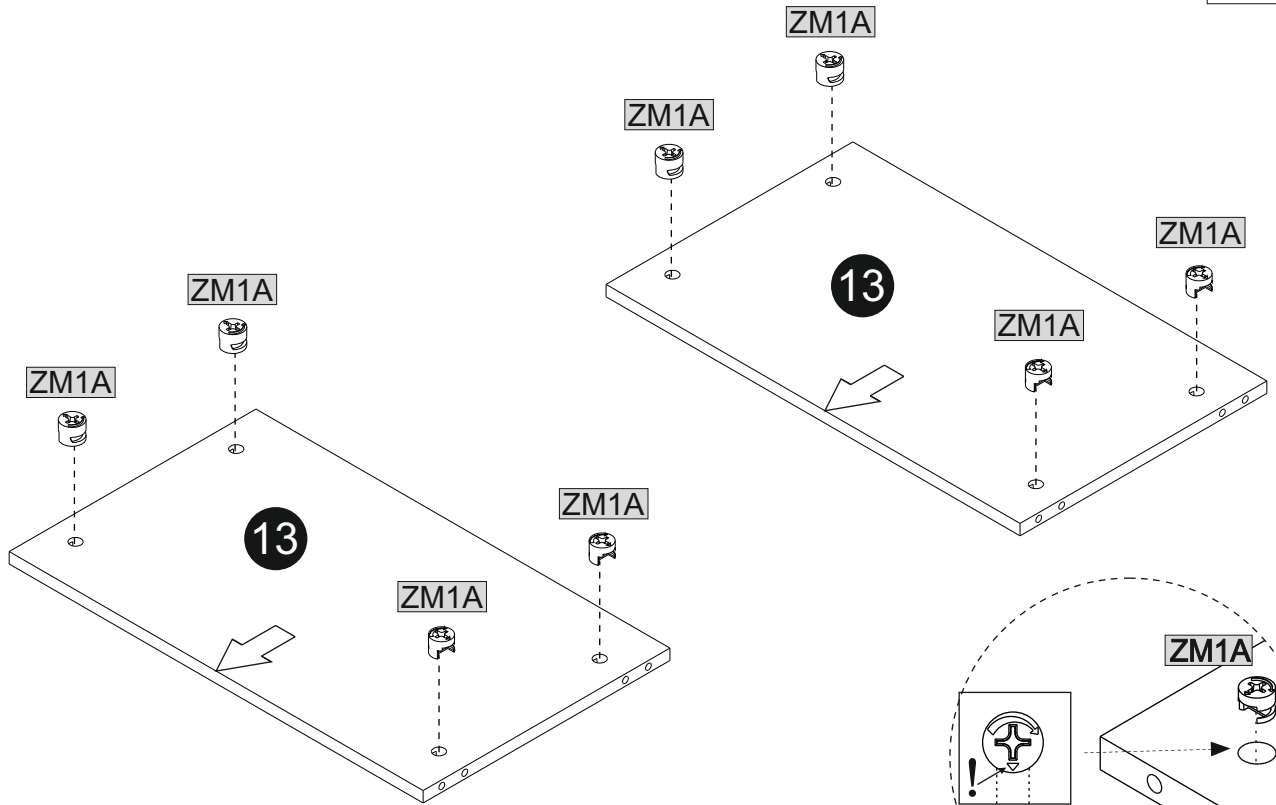
ZM1B	6
------	---



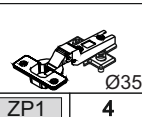
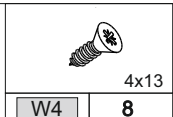
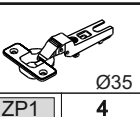
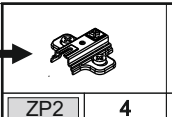
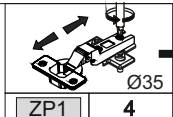
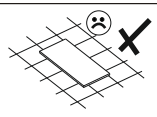
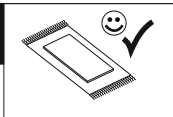
10



ZM1A	8
------	---



11



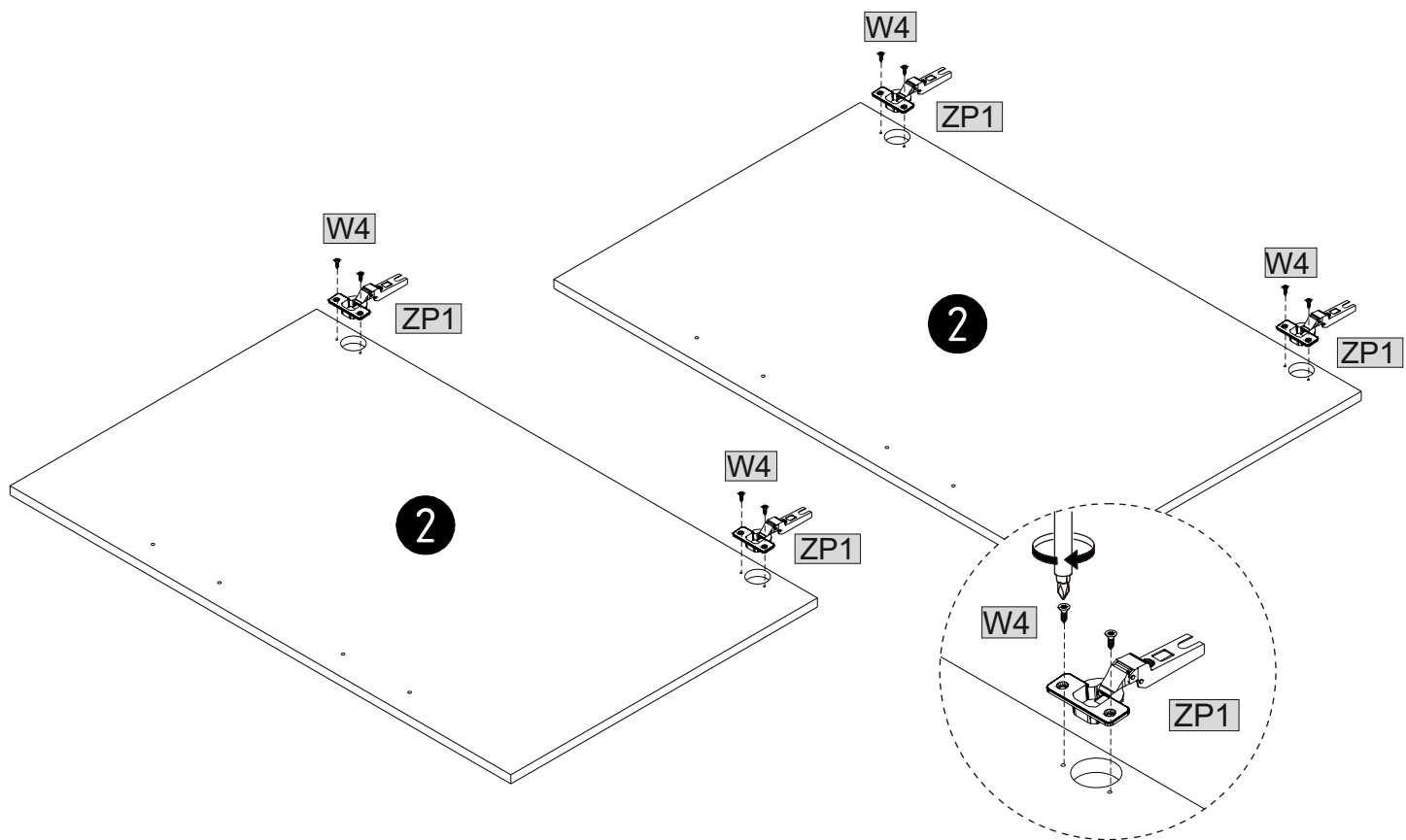
ZP1 4

ZP2 4

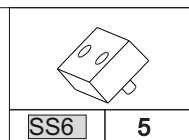
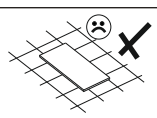
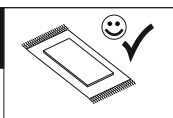
ZP1 4

W4 8

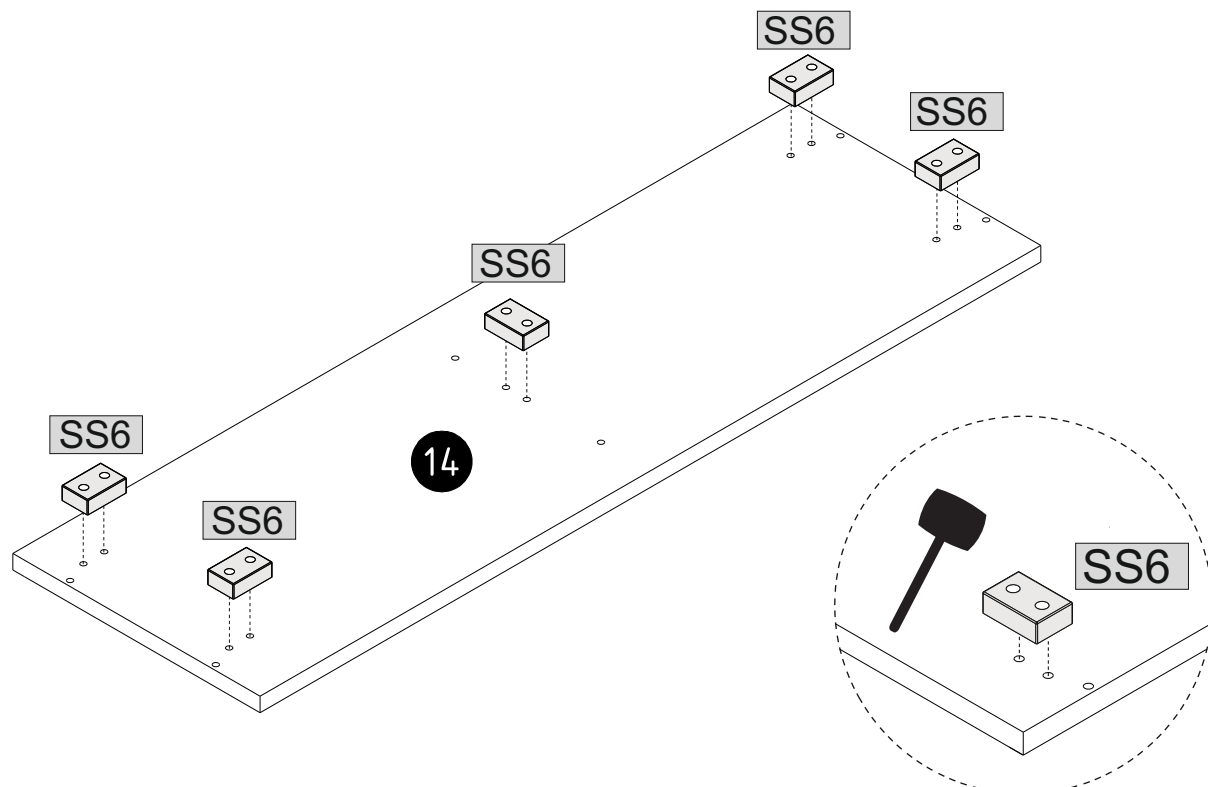
ZP1 4



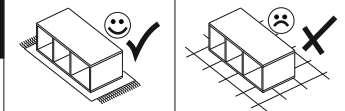
12

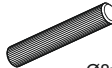

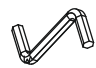


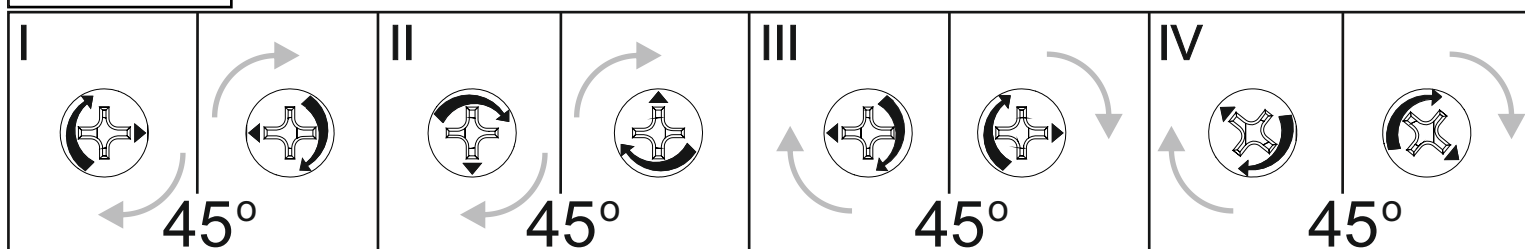
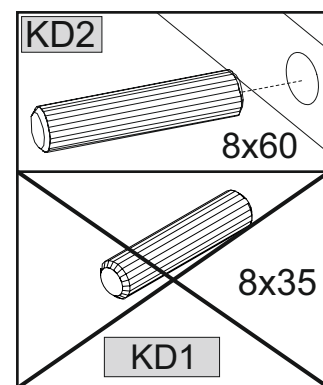
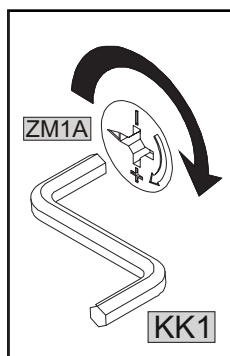
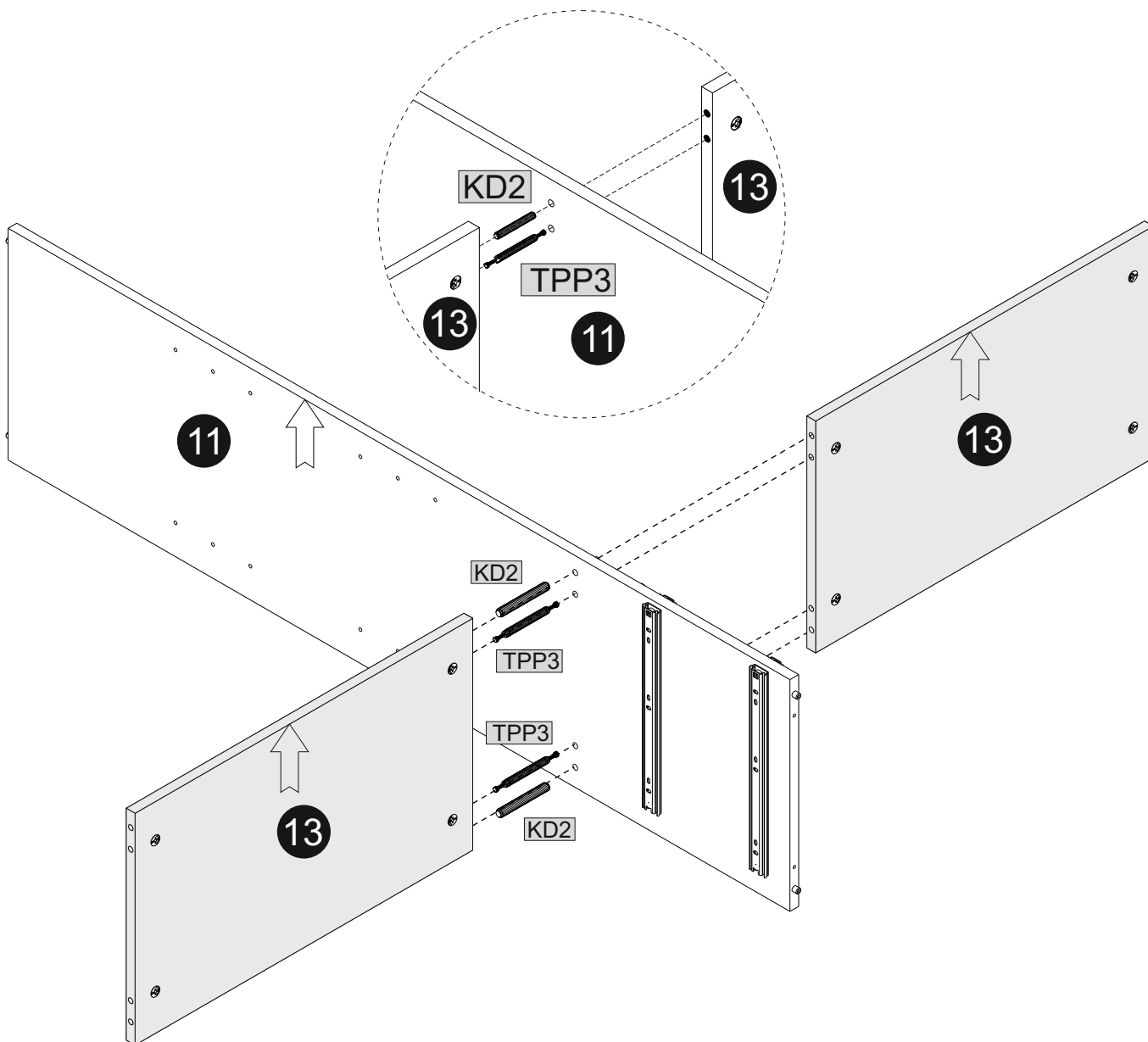
SS6 5

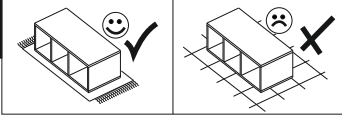




13

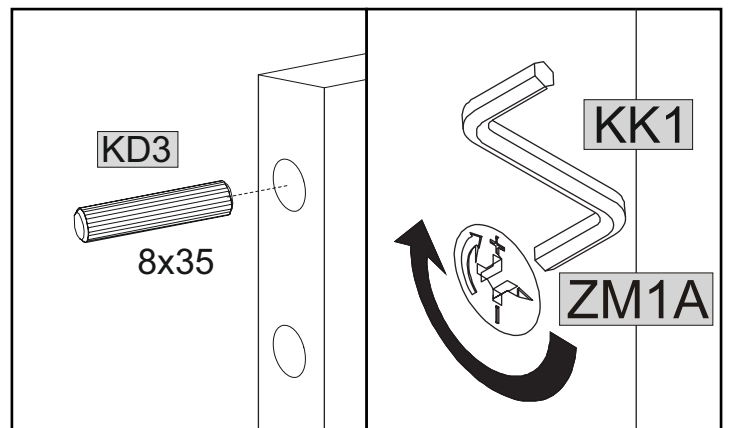
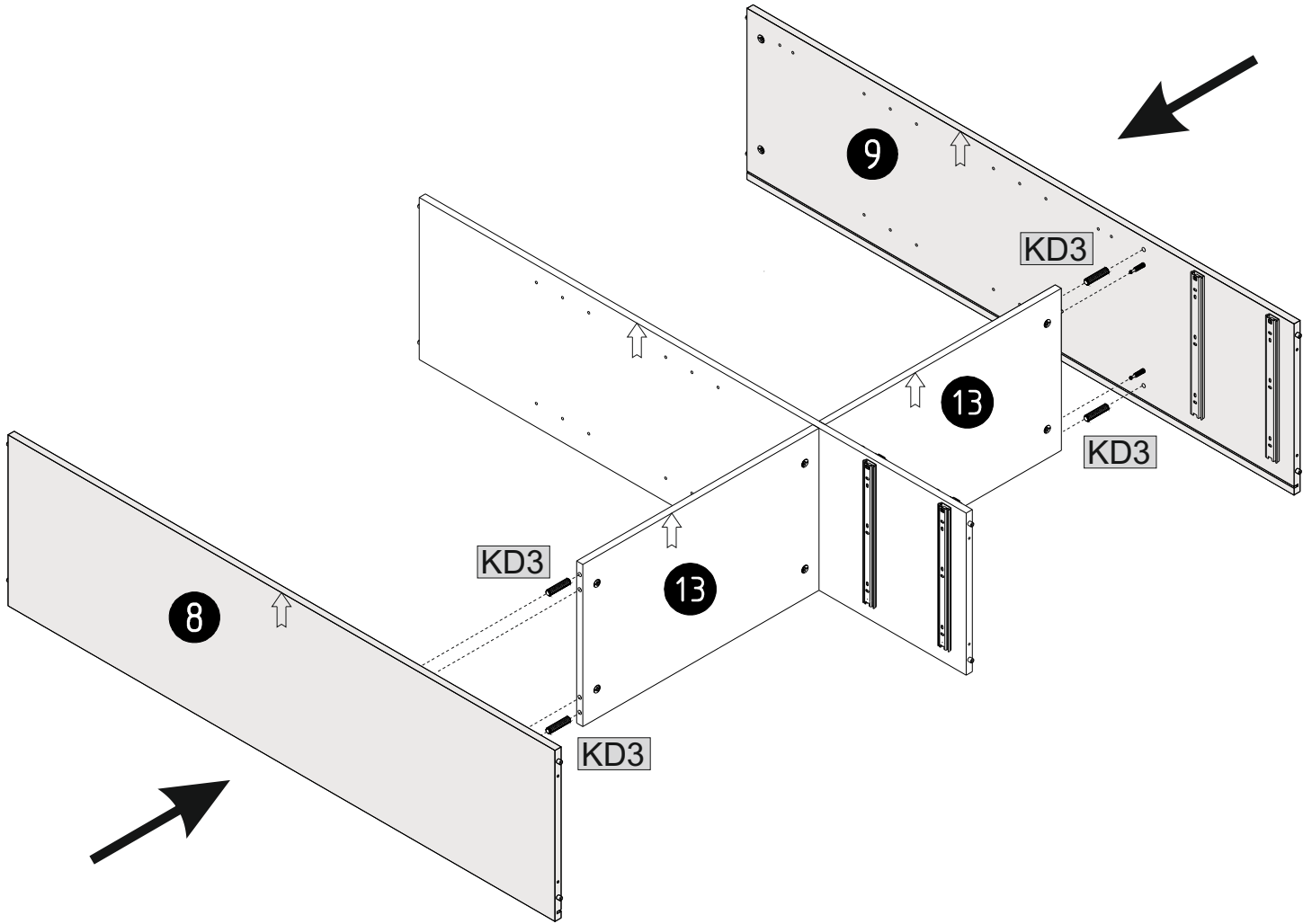


	$\varnothing 8 \times 60$		L=86	
KD2	2	TPP3	2	KK1
				1

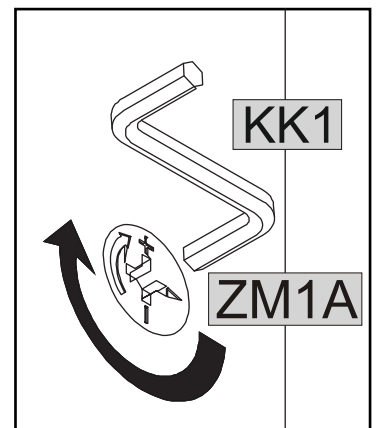
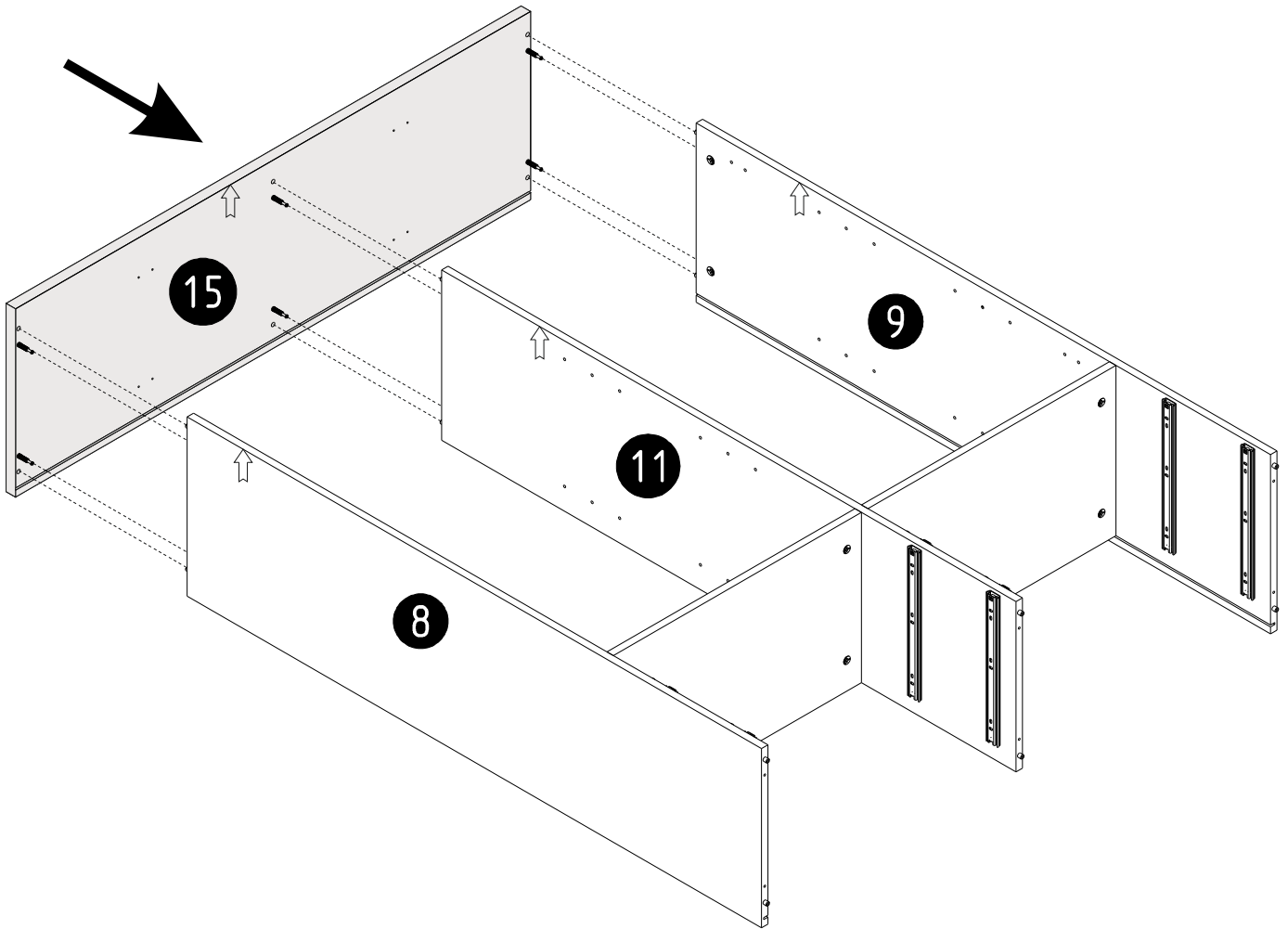
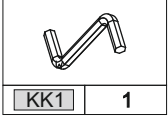
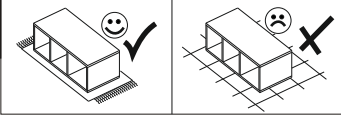




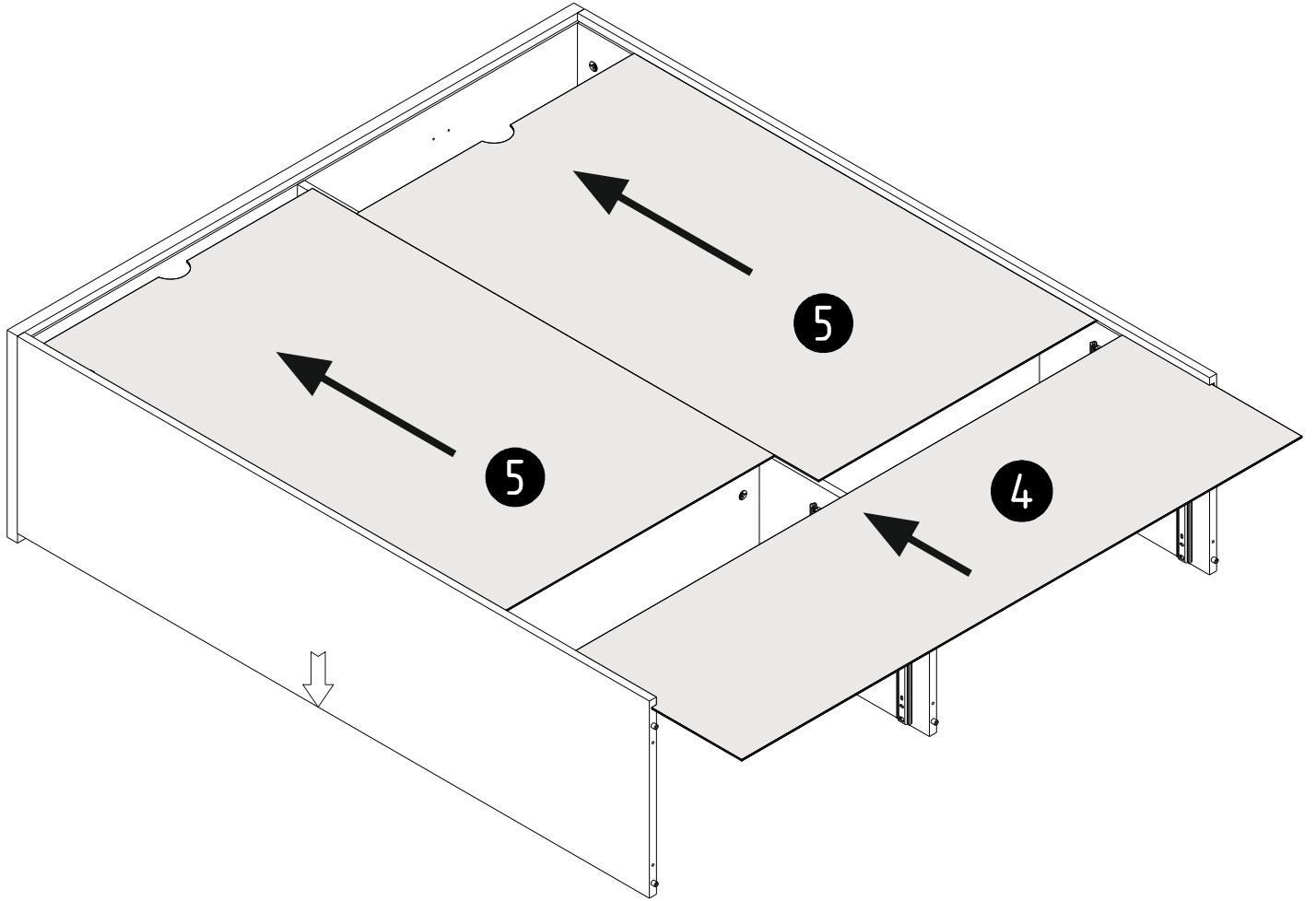
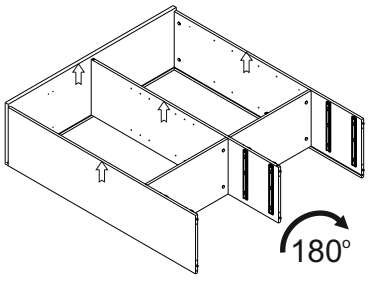
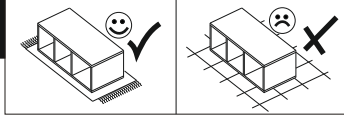
 Ø8x35			
KT1	4	KK1	1

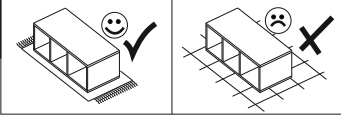


15

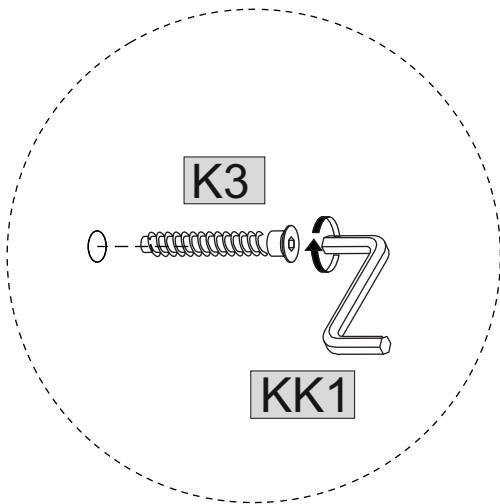
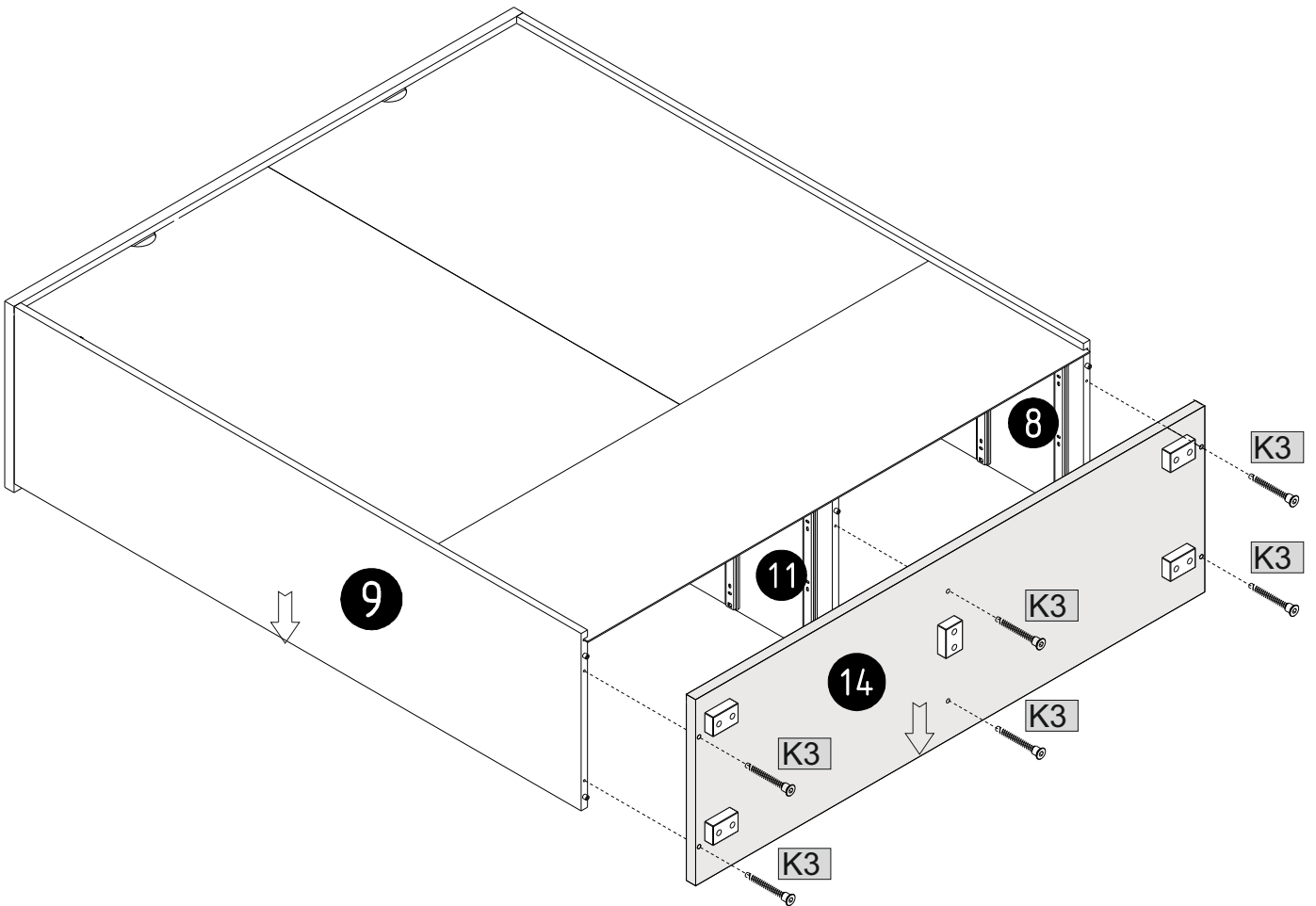


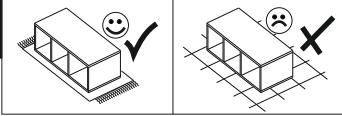
16






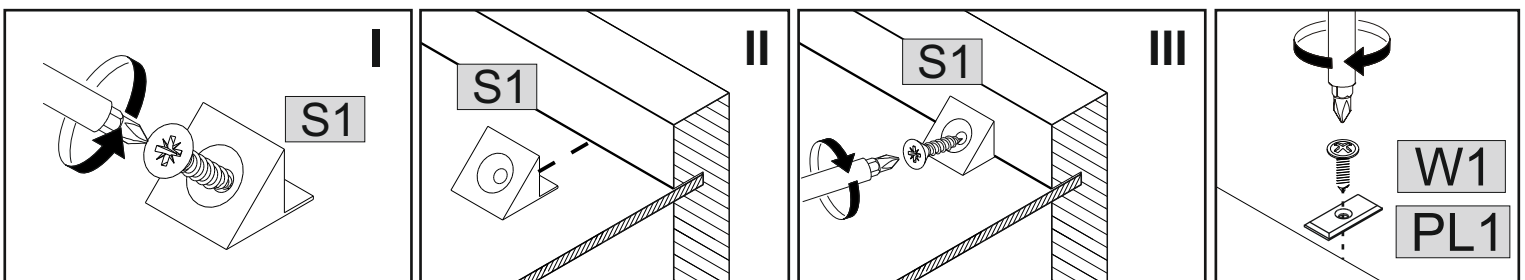
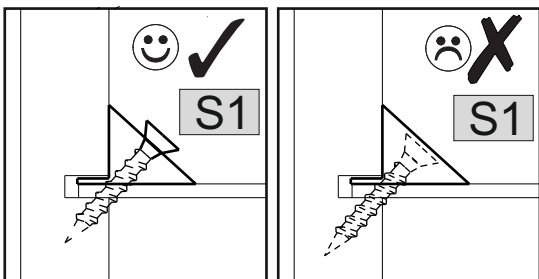
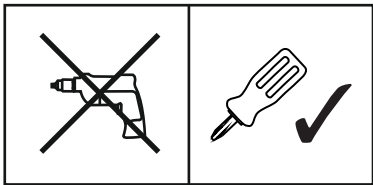
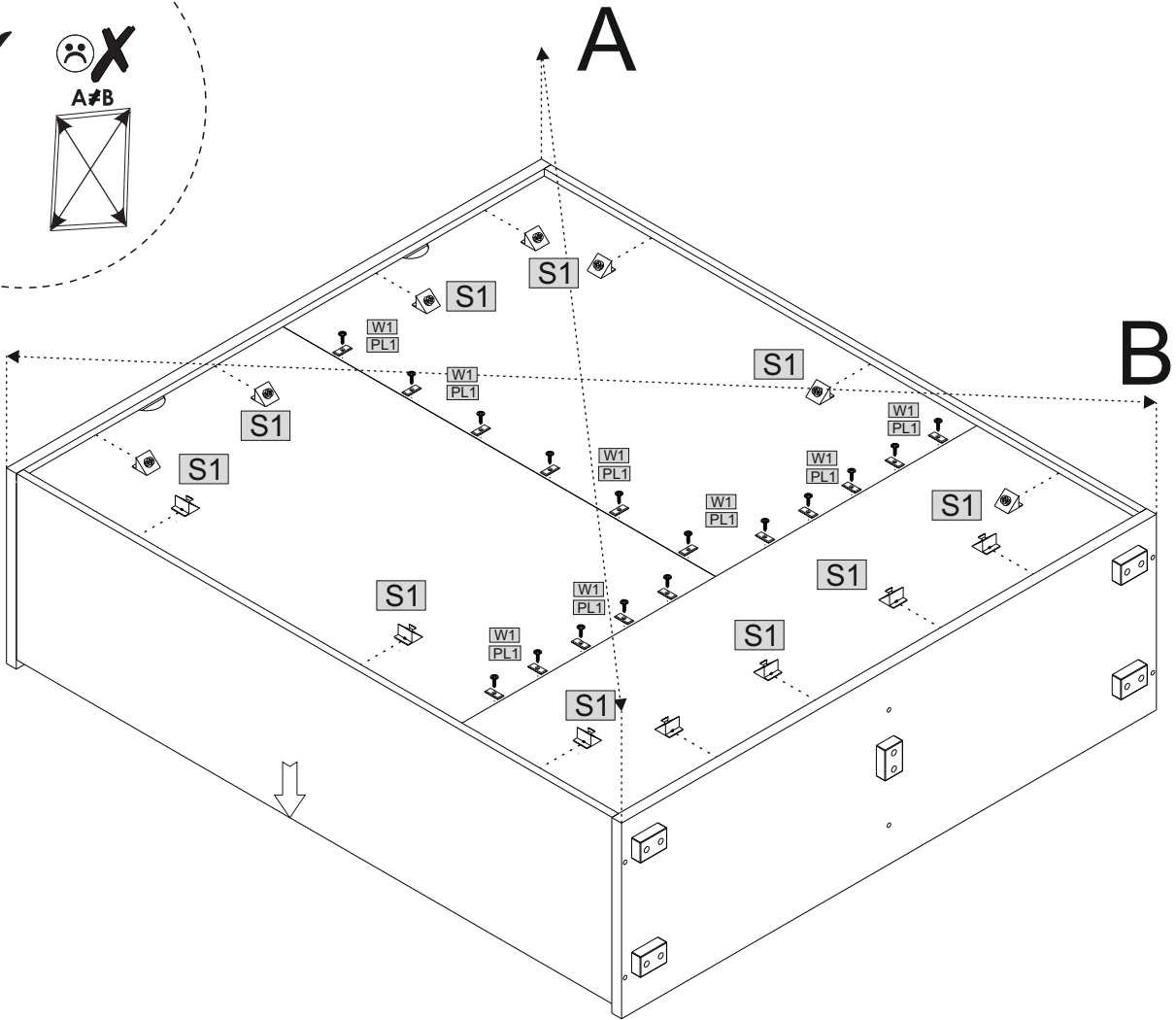
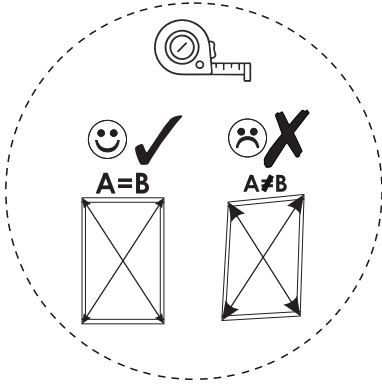


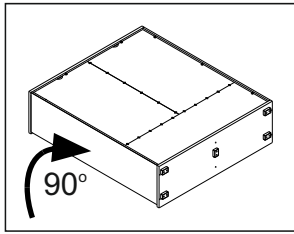
			6,3x50
KK1	1	K3	6



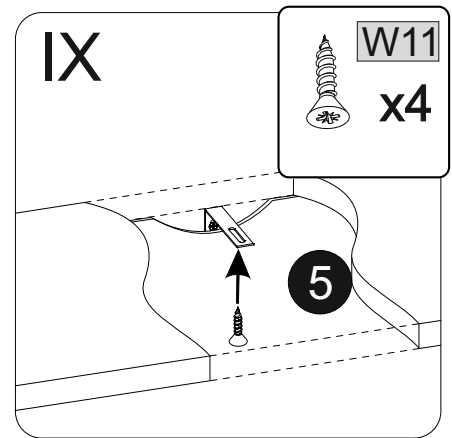
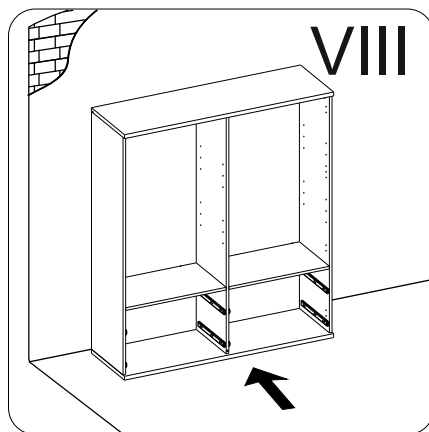
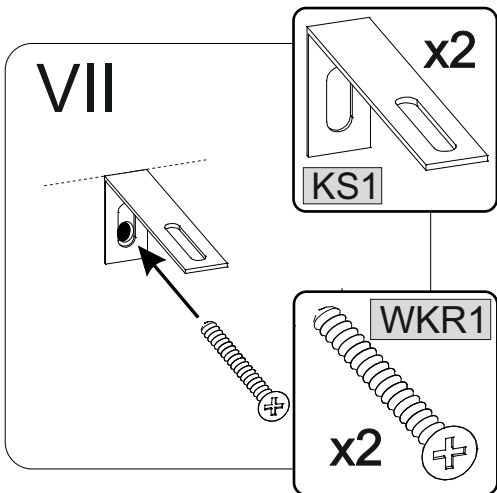
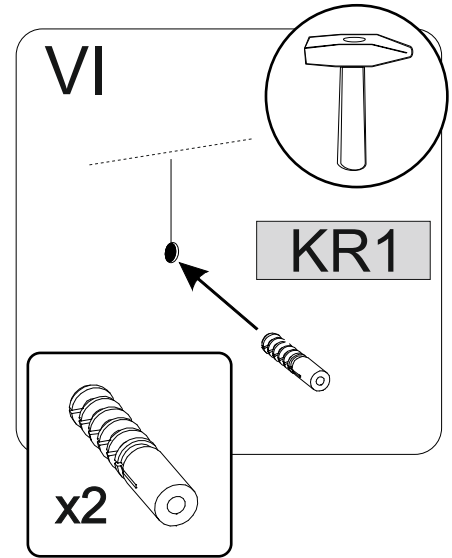
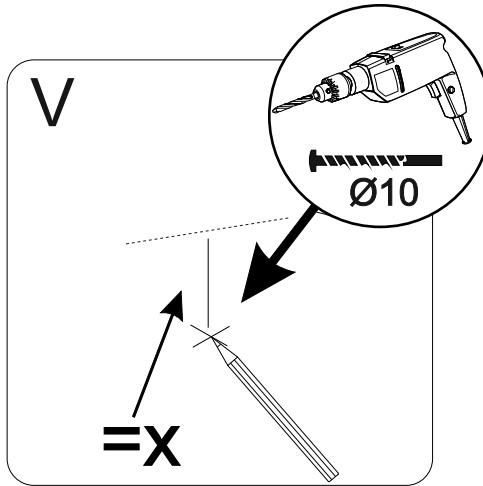
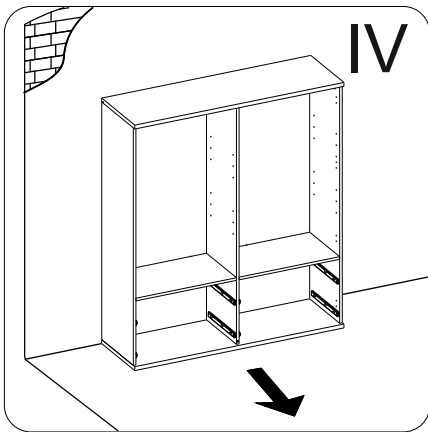
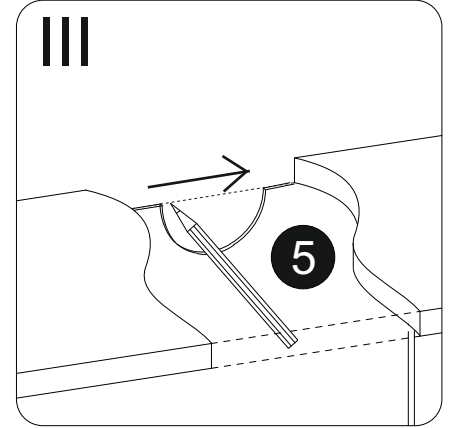
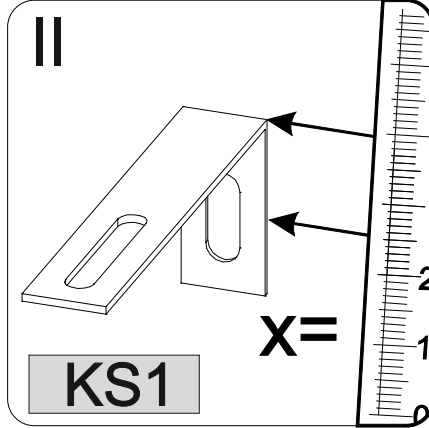
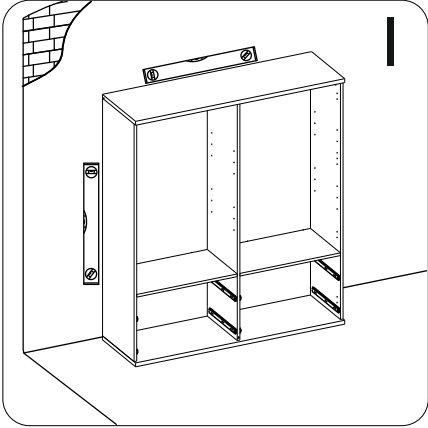
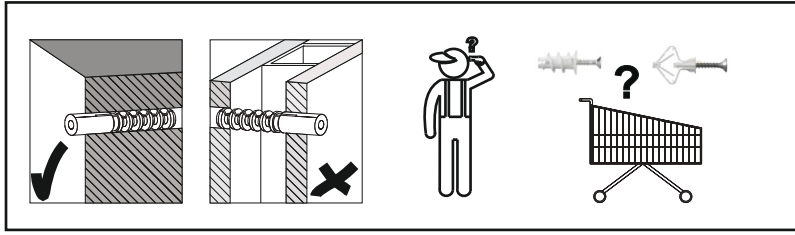


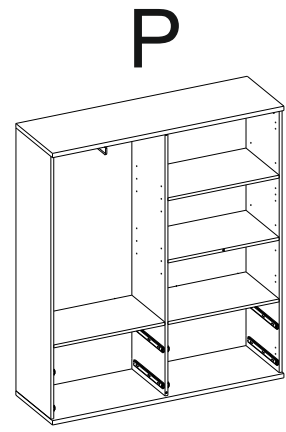
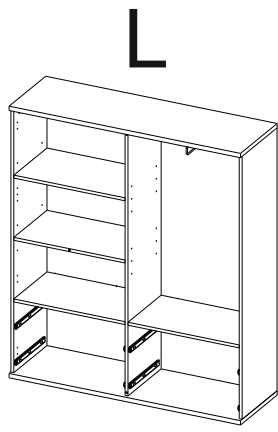
					
3x16					
W1	16	PL1	16	S1	14





3,5x16		KS1	
W11	4	KS1	2
10x50		6x50	
KRW1	2	KRL1	2



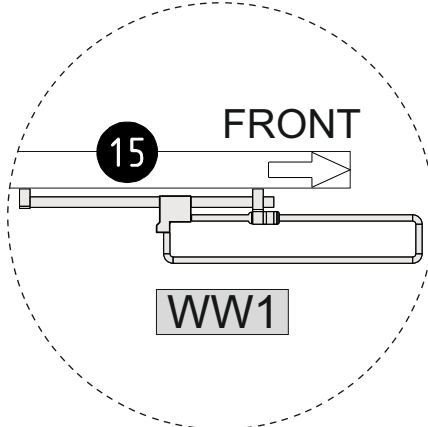
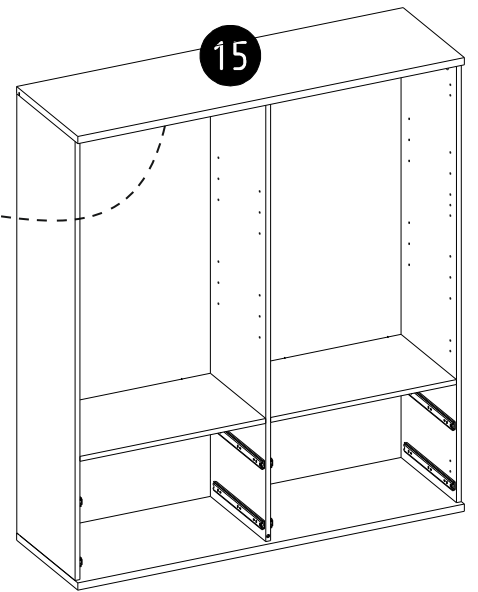
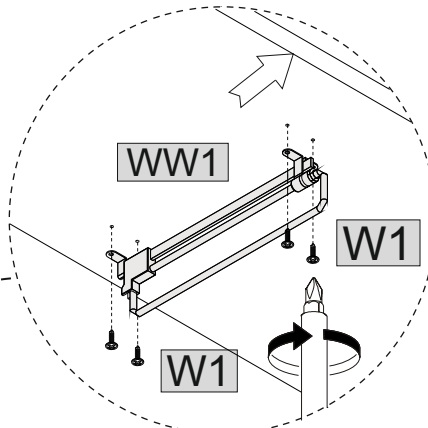
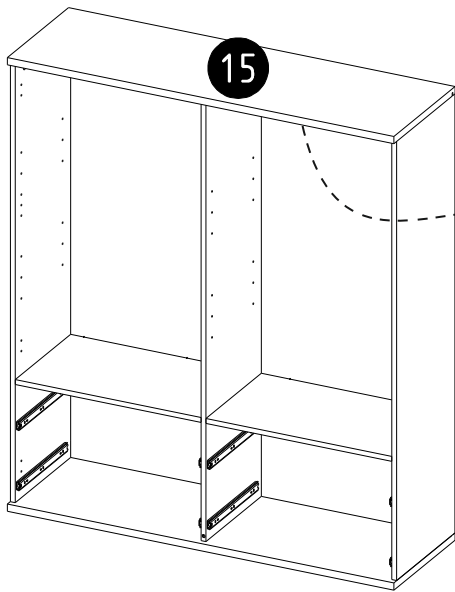


L

20

P

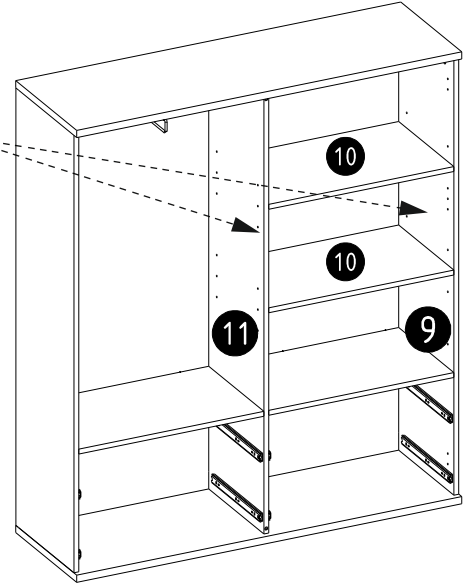
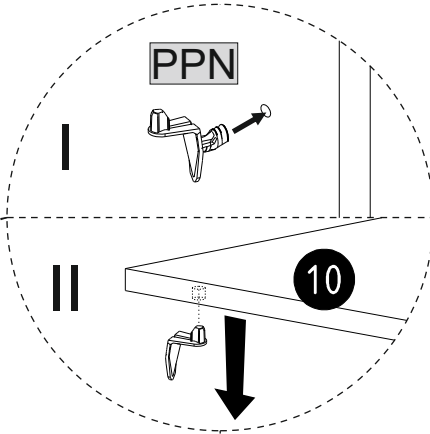
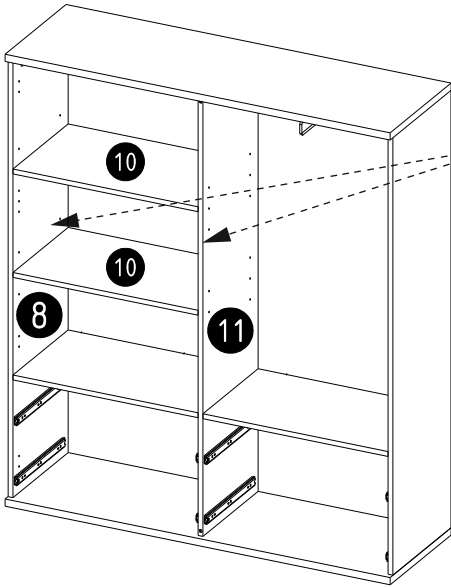
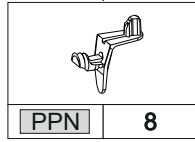
	1
	3x16
	4



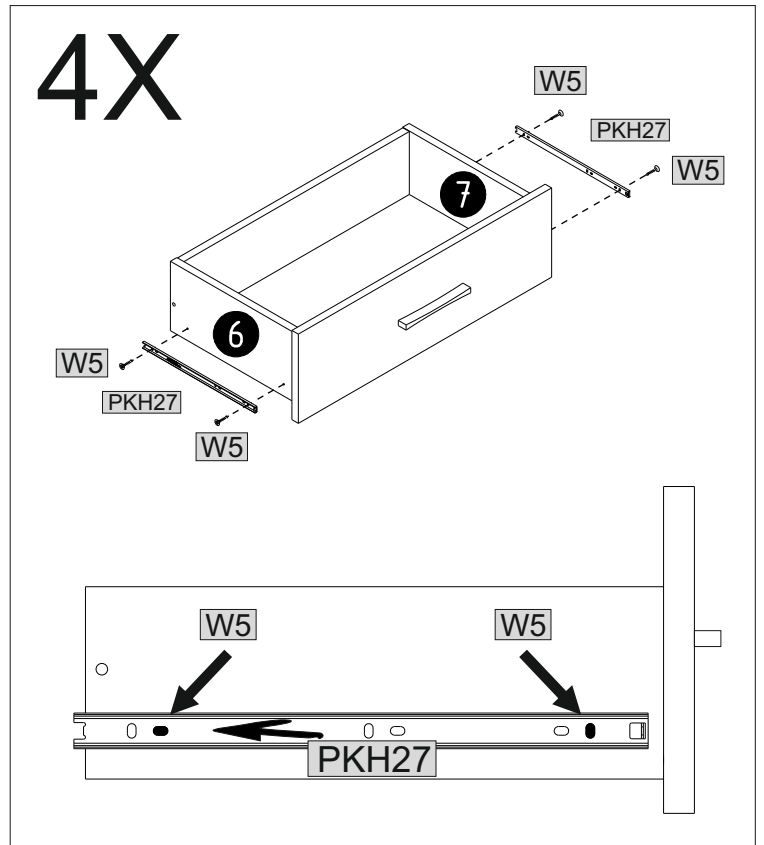
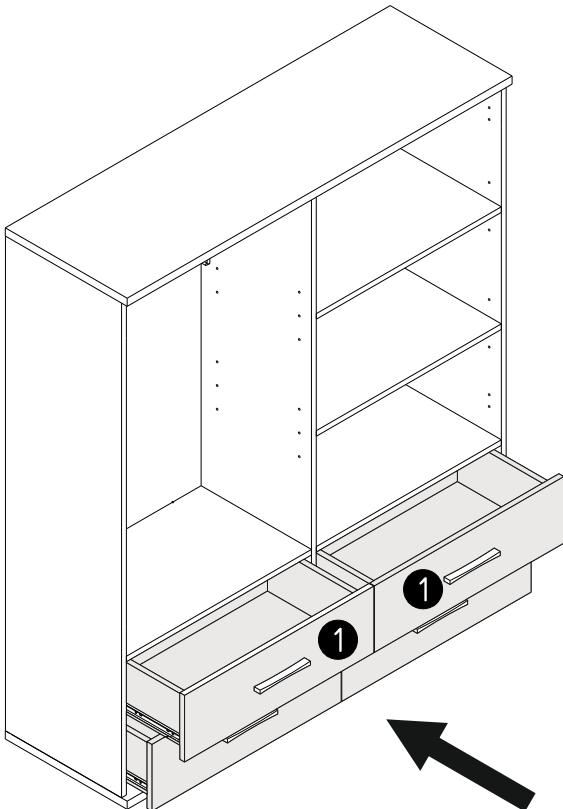
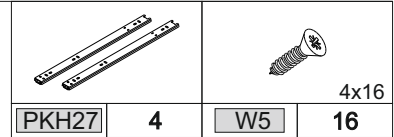
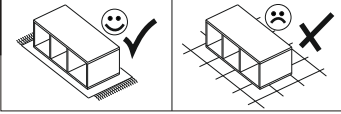
L

21

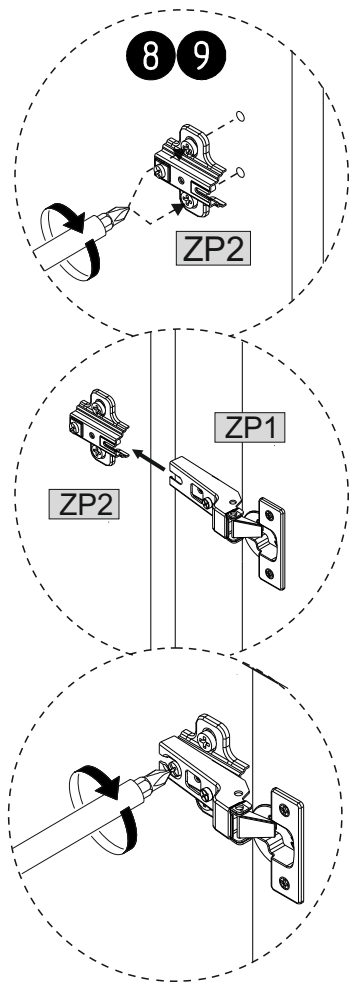
P



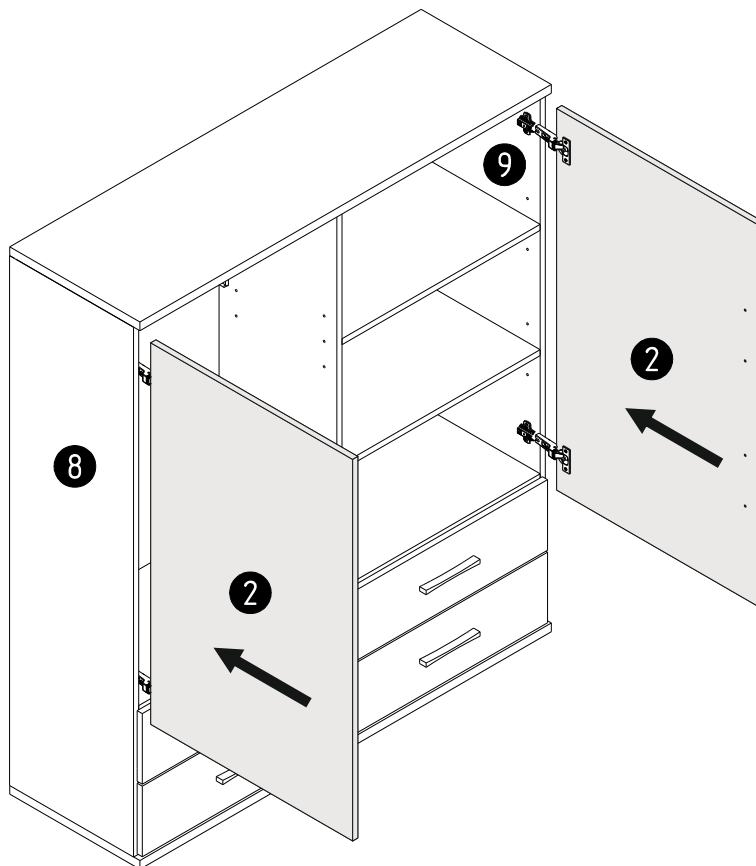
22



23

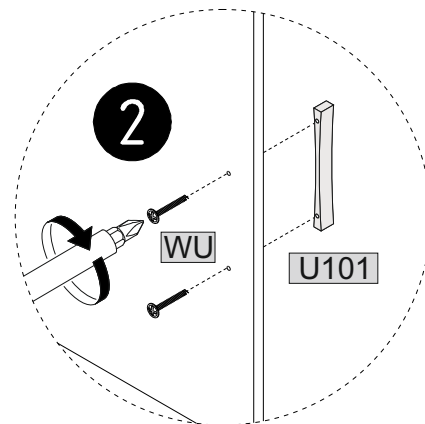
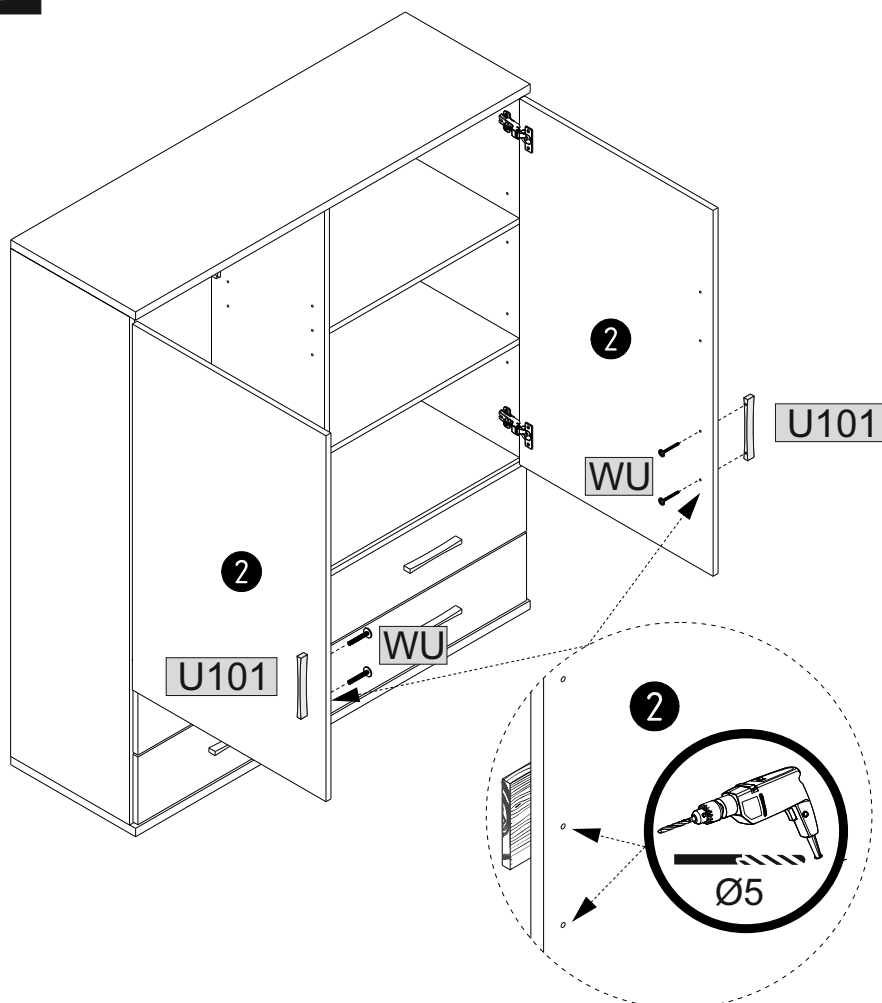


ZP2	4

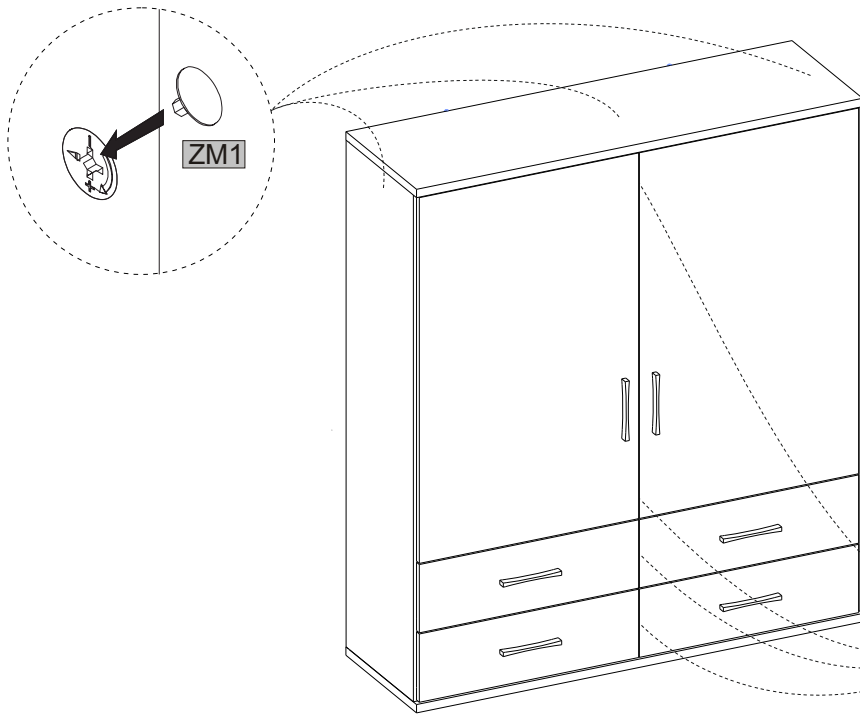


24

U101	3,5x25
2	4



25



ZM1	6
OS1	4

26

