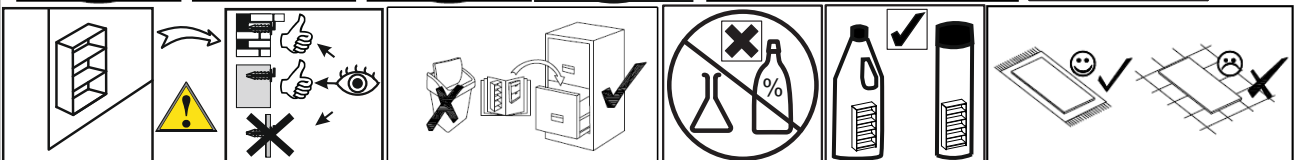
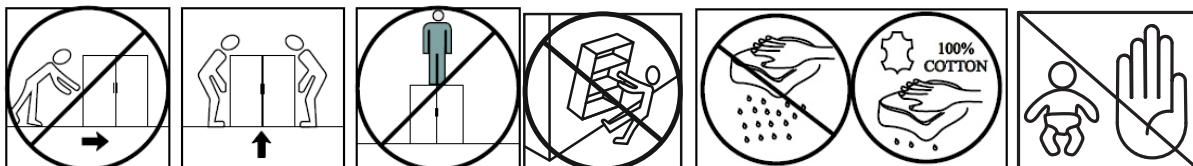
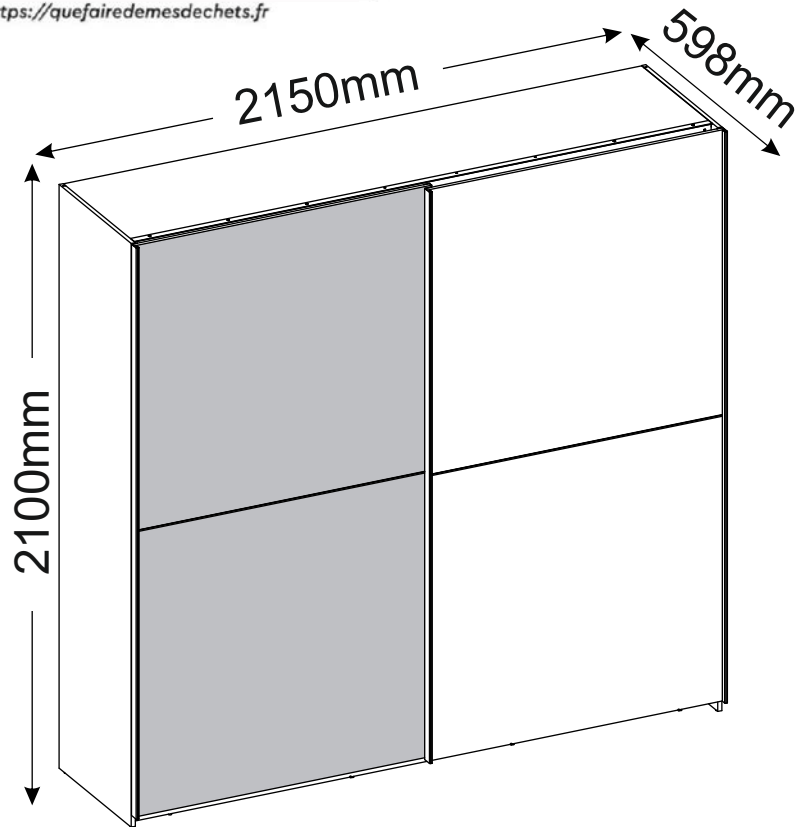
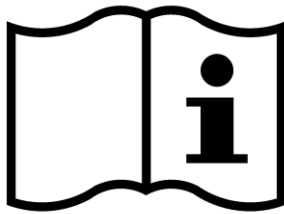
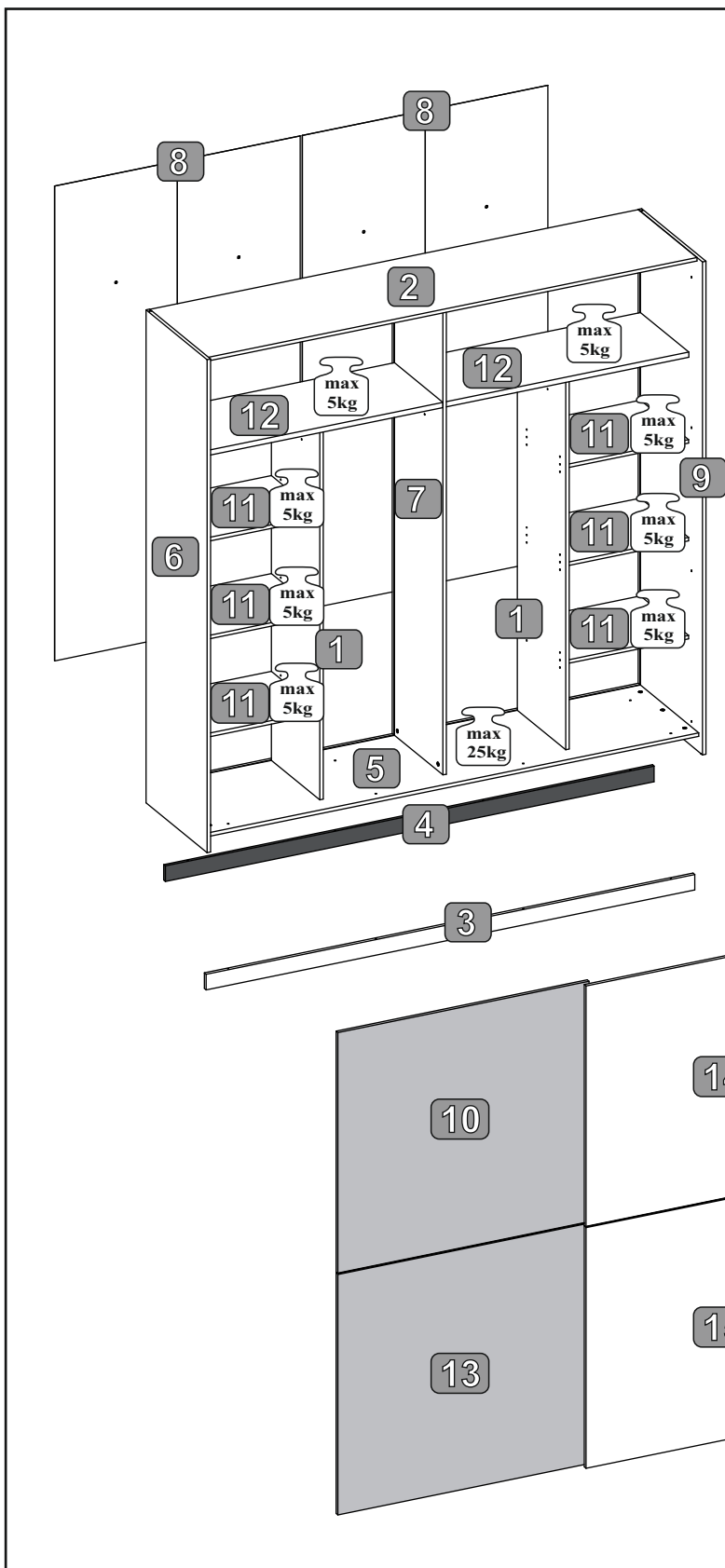
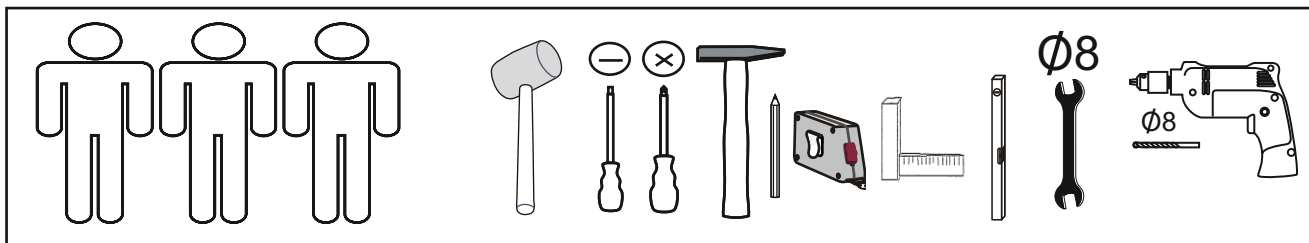


pol-power@bega-consult.de


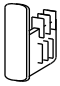

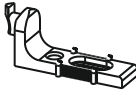

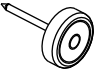

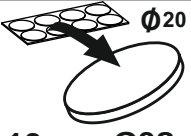
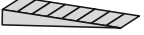
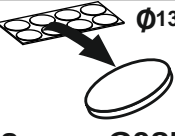

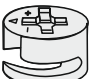
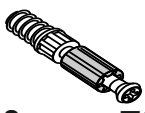



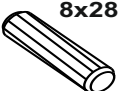
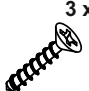

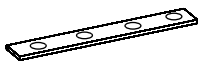

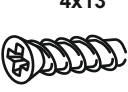

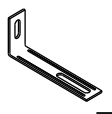

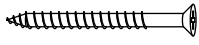


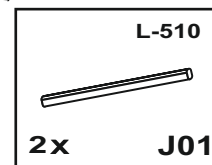
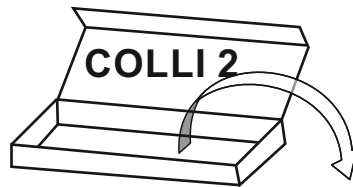
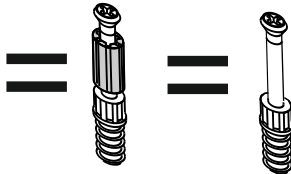
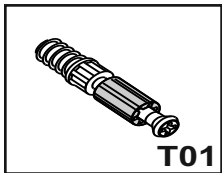
<https://quefairedemesdechets.fr>



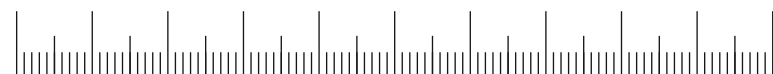


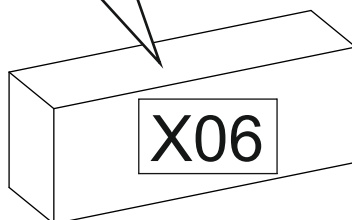
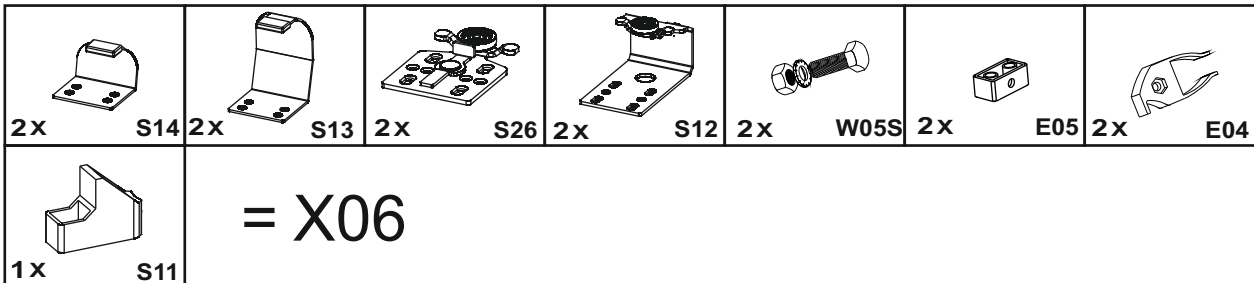
NR	DIM	QTE	COLLI
1	1561x419x15	2	1/4
2	2120x510x15	1	1/4
3	2120x66x15	1	1/4
4	2120x66x15	1	1/4
5	2120x526x15	1	1/4
6	2095x529x15	1	2/4
7	1998x440x15	1	2/4
8	2017x1065x2	2	2/4
9	2095x558x15	1	2/4
10	1090x1025x15	1	3/4
11	519x418x15	6	3/4;4/4
12	1052,5x420x22	2	3/4;4/4
13	1090x1025x15	1	3/4
14	1090x1025x15	1	4/4
15	1090x1025x15	1	4/4

 4x E03	 6x Za2 H-37	 14x T05	 4x R02	 24x E07	 12x S01
 28x R01	 10x C02a $\varnothing 20$	 3x KL2	 8x C02b $\varnothing 13$	 14x T04	 10x T02 15x12
 10x T01	 8x W09 3,5x13	 8x W16 5x40	 1x K02 L3	 16x D01 8x28	 8x W03 3 x13
 4x W36 3,5x25	 4x W08	 8x W07 4x13	 24x W13 4x13	 77x W02 3,5x13	 2 x F13
 2x F01	 2x F11				

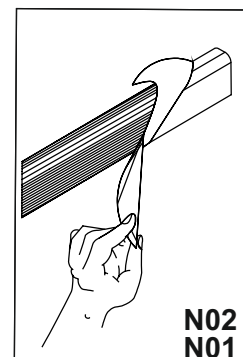
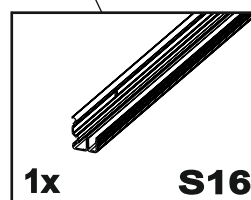
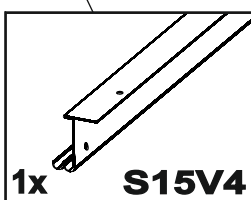
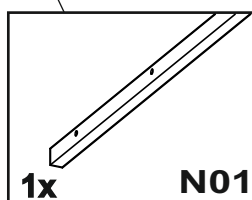
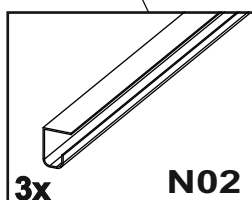
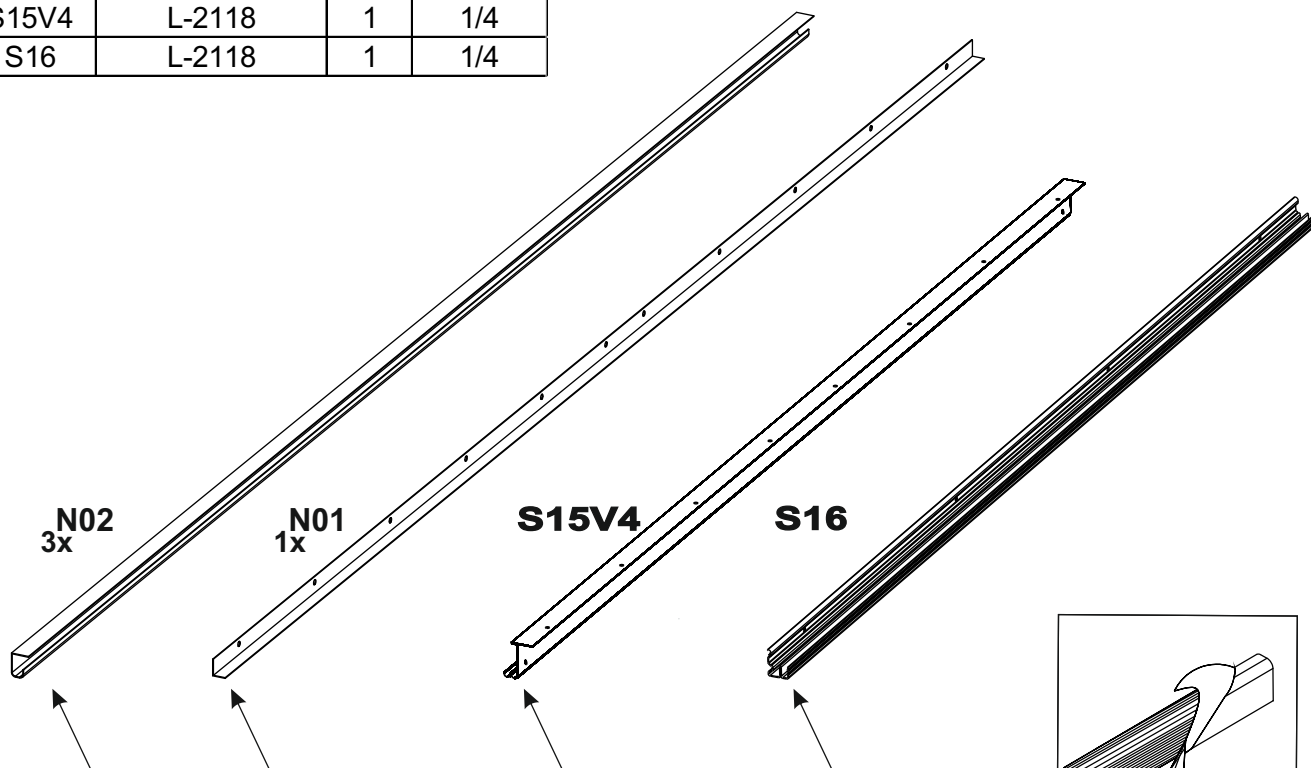


0 10 20 30 40 50 60 70 80 90 100

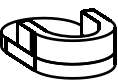




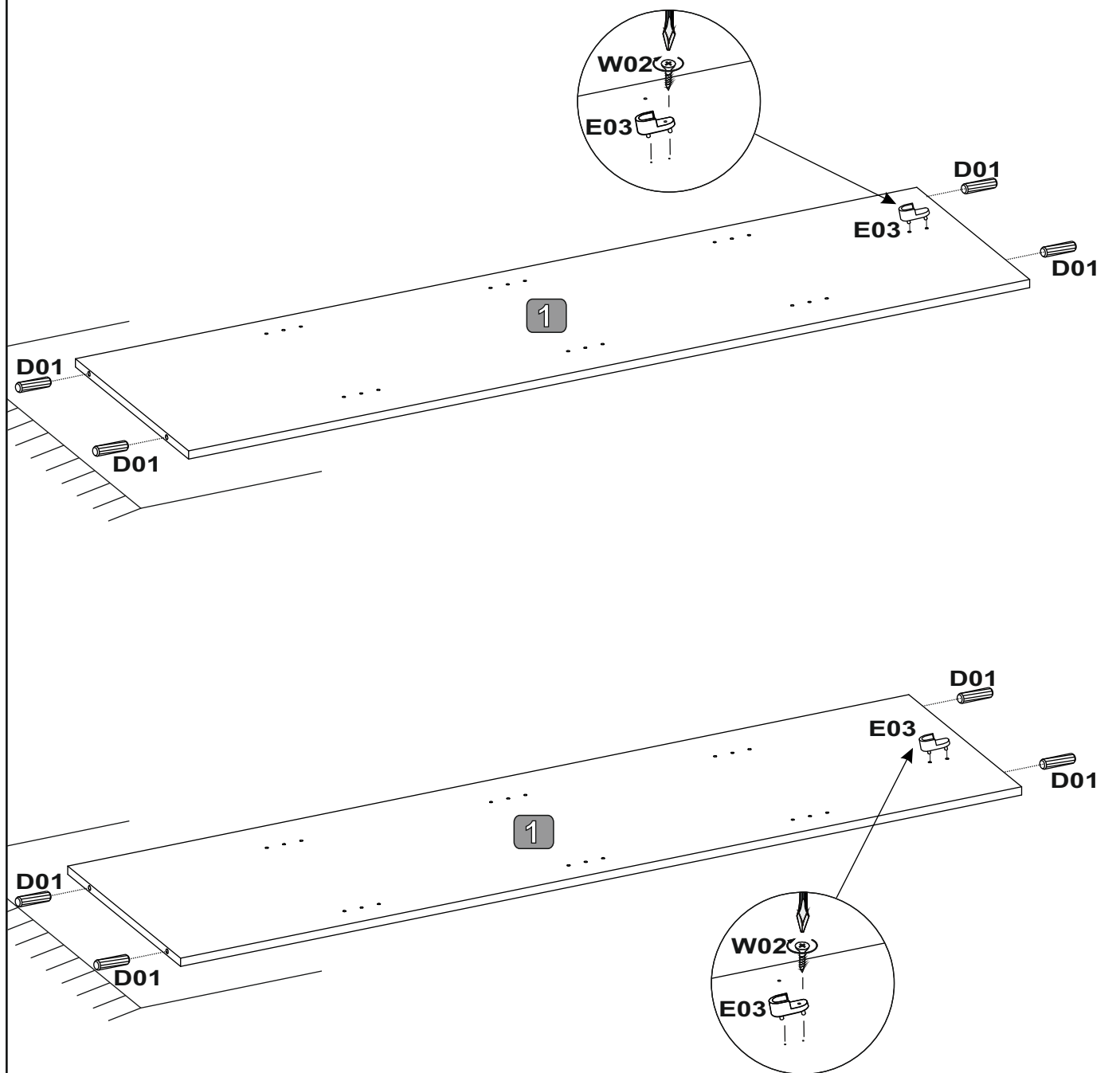
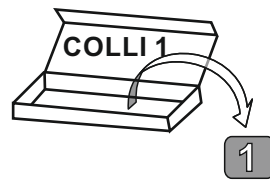


NR	DM	QTE	COLLI
N02	L-2050 H-37	3	2/4
N01	L-2050	1	1/4
S15V4	L-2118	1	1/4
S16	L-2118	1	1/4

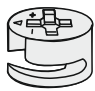
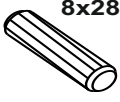
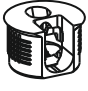
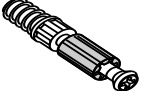


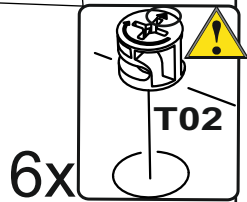
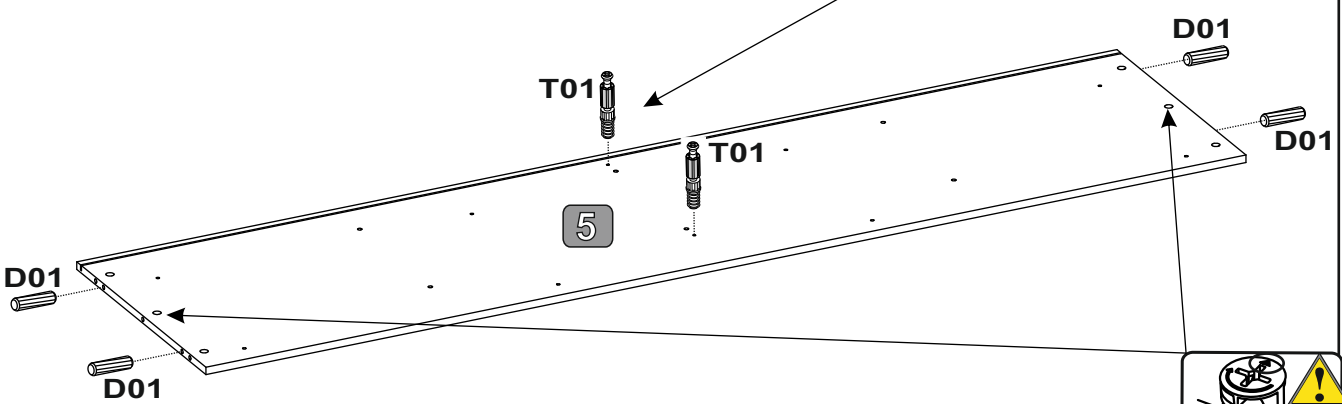
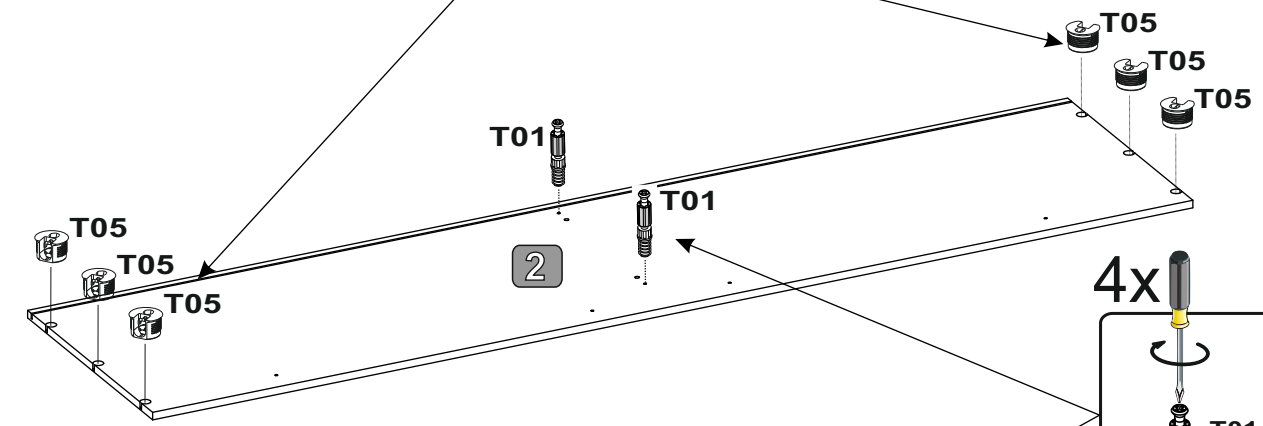
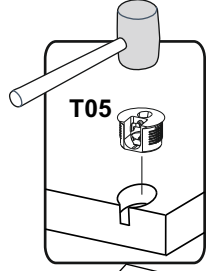
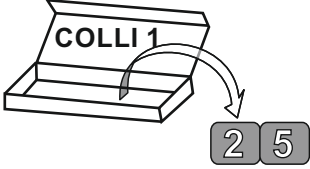
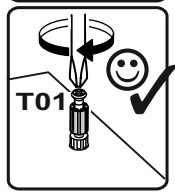
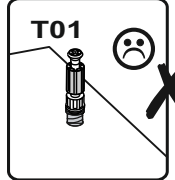
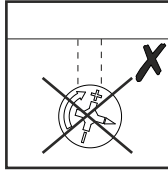
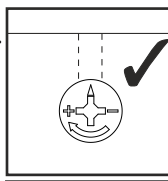
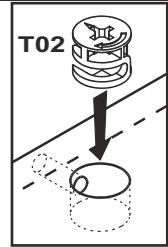
1

		
2x E03	2x W02	8x D01

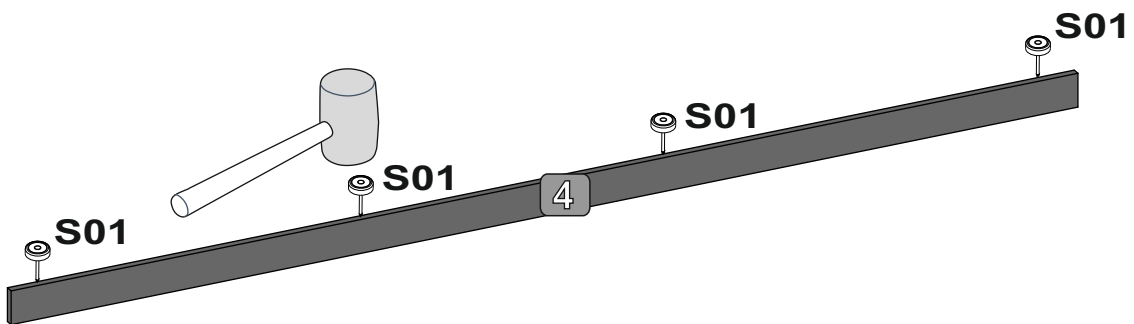
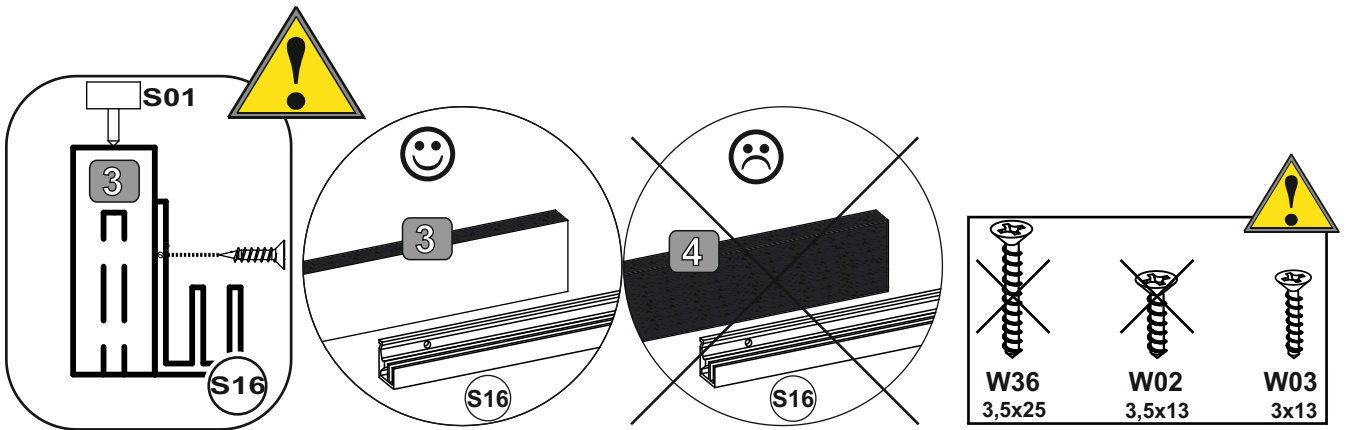
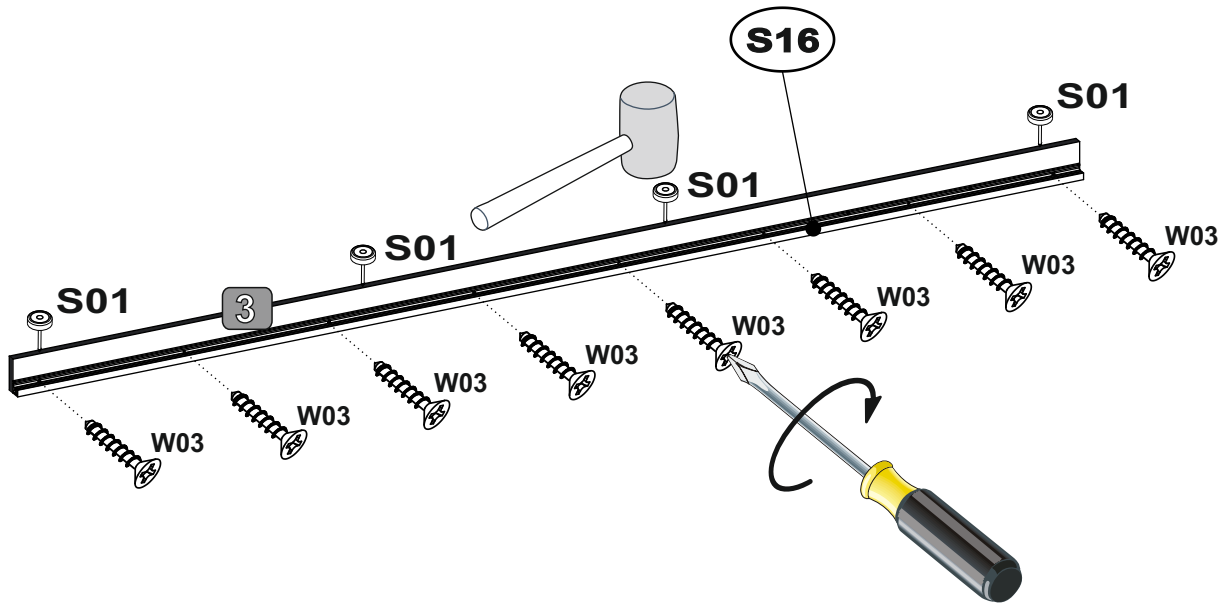
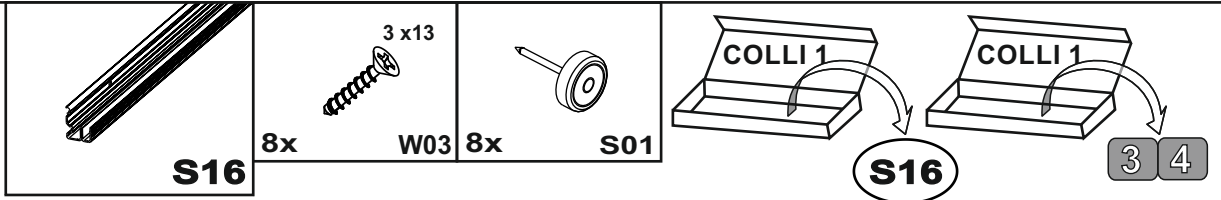


2


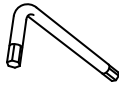
15x12 	8x28 		
6x T02	4x D01	6x T05	4x T01

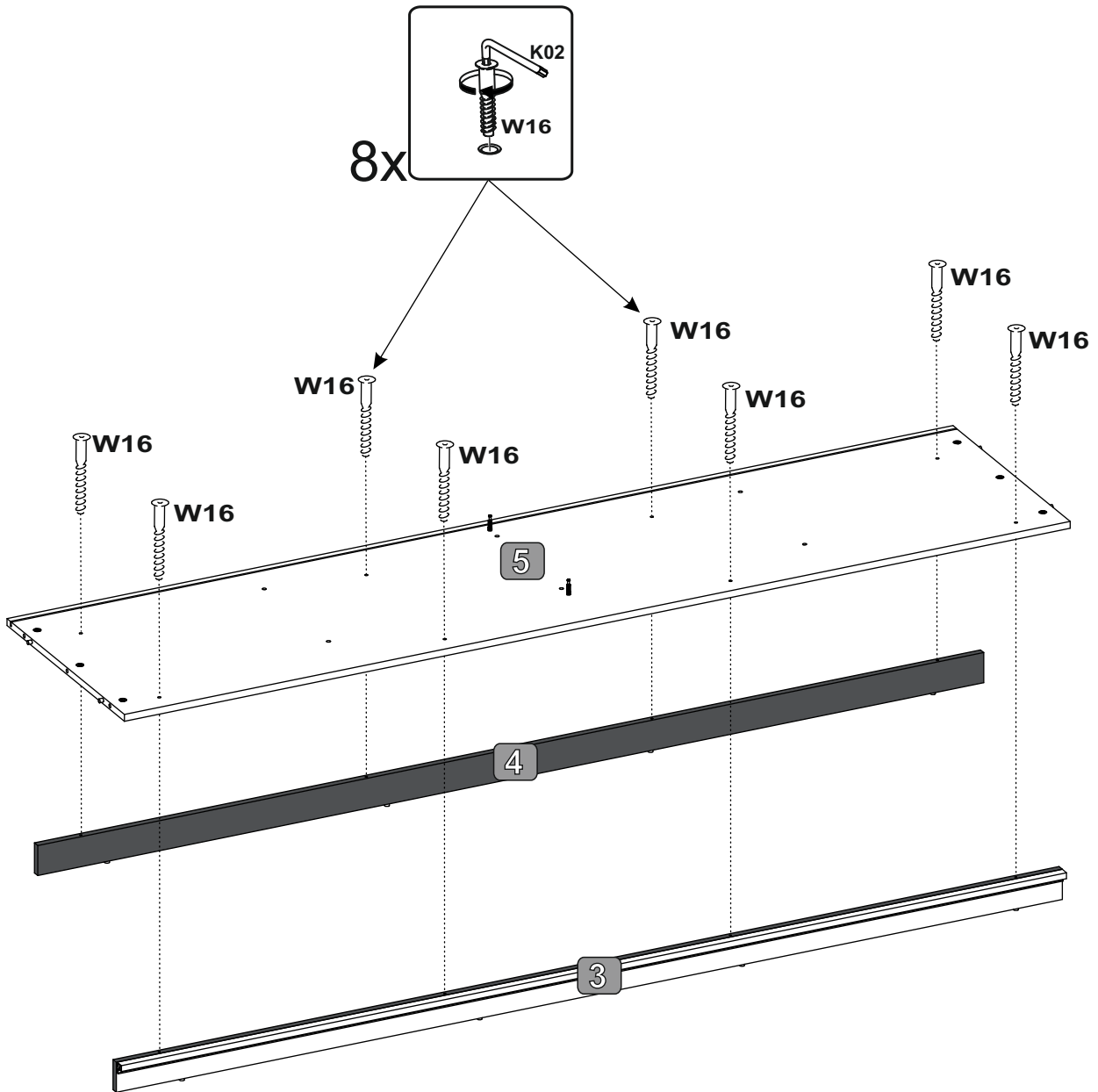


3



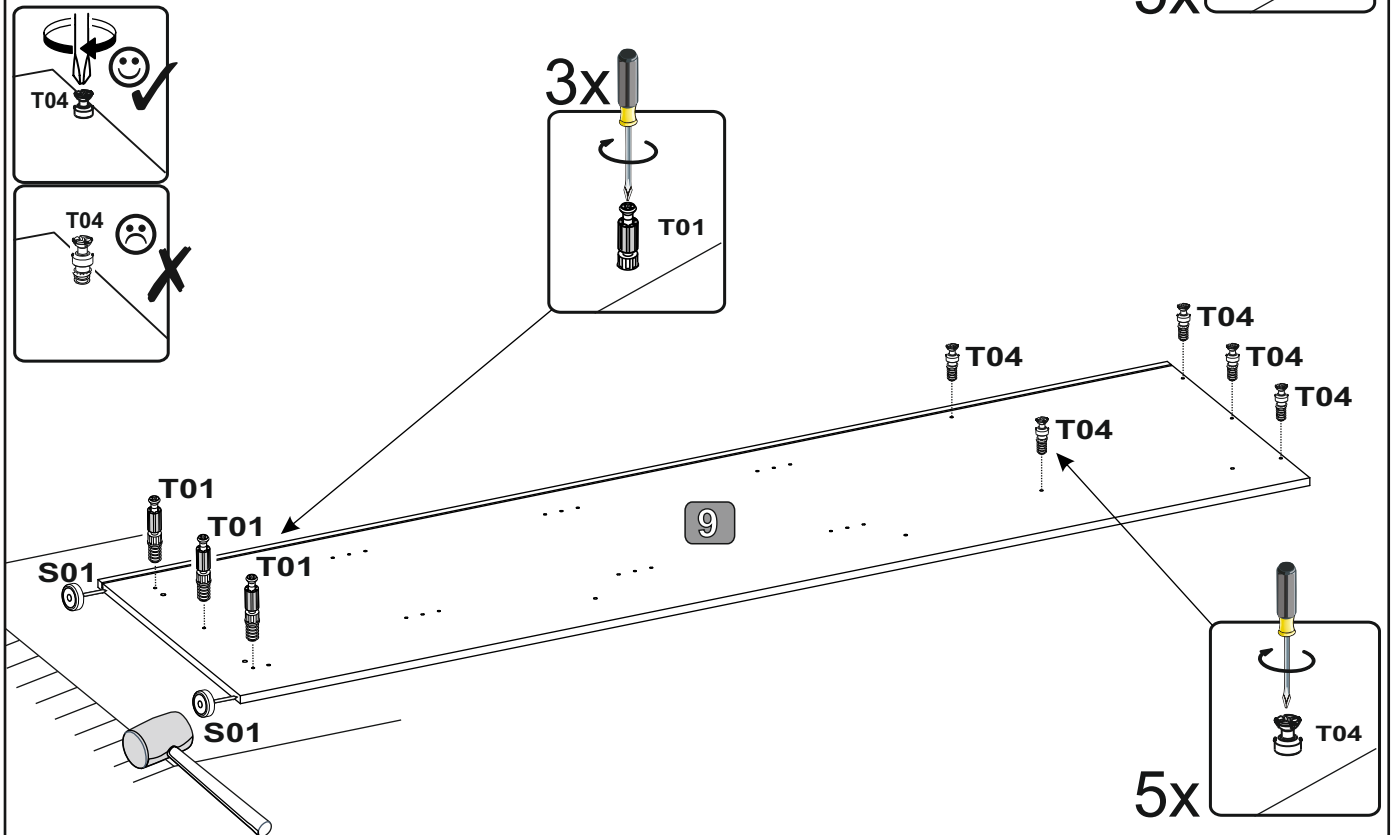
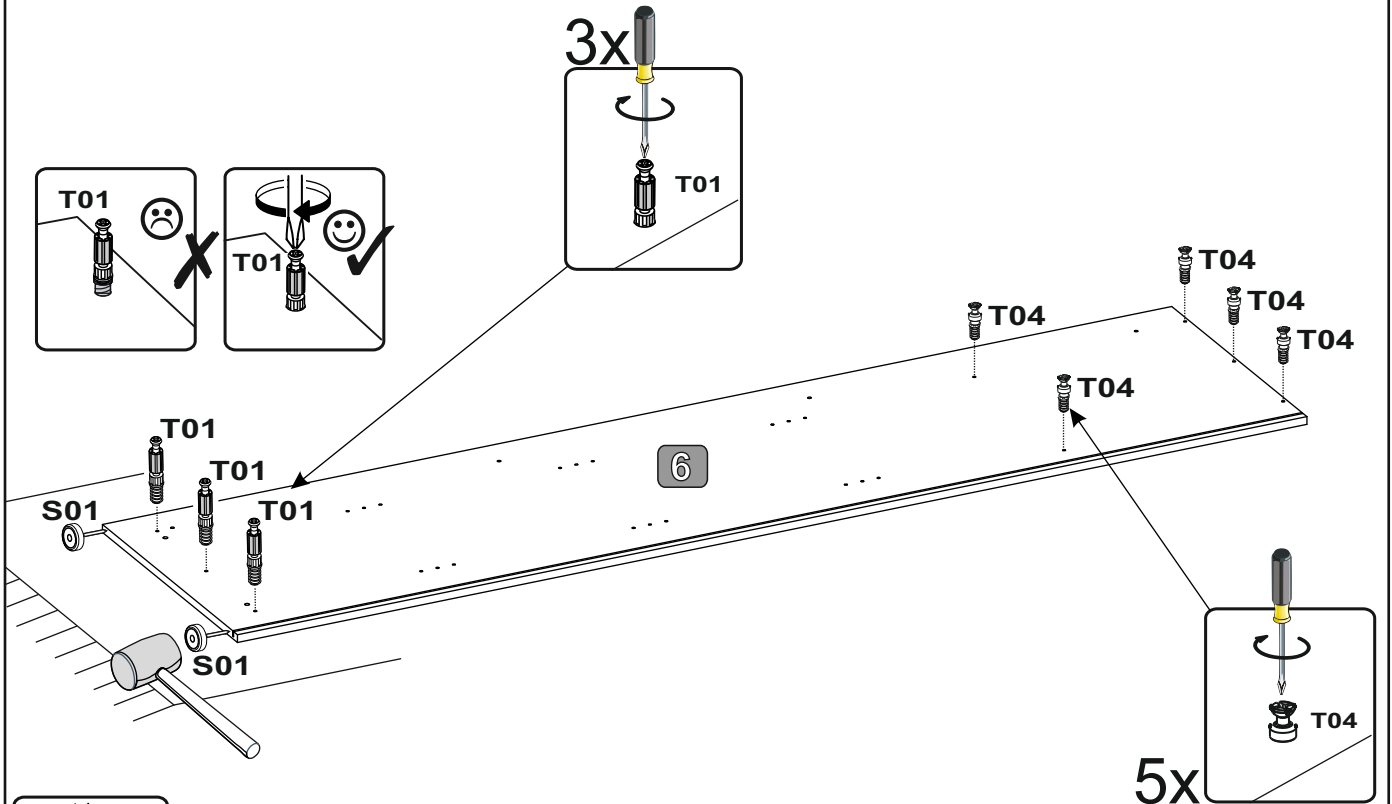
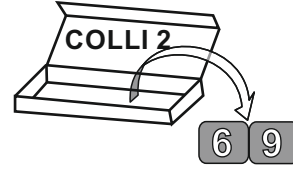
4

 5x40 W16	 L3 K02
8x	1x

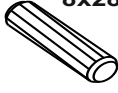

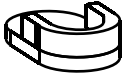

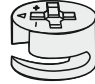


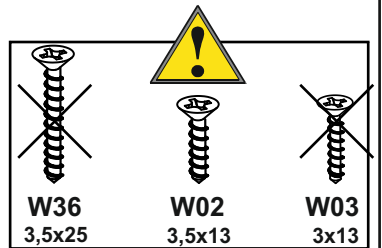
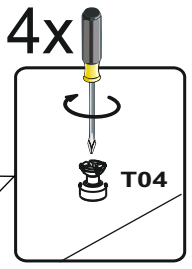
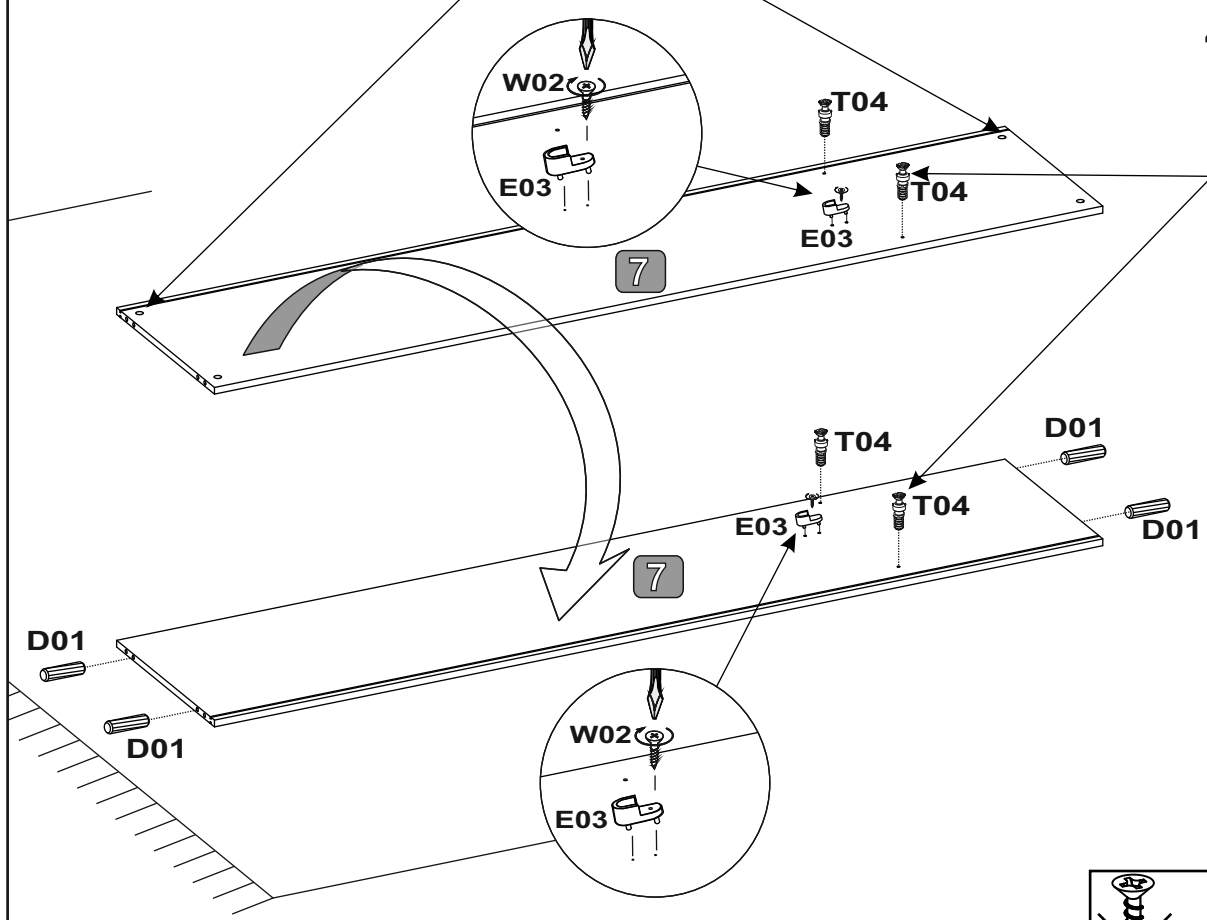
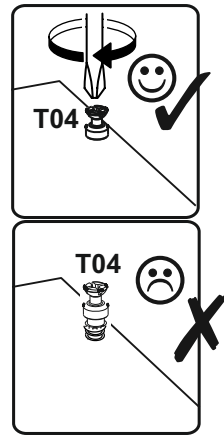
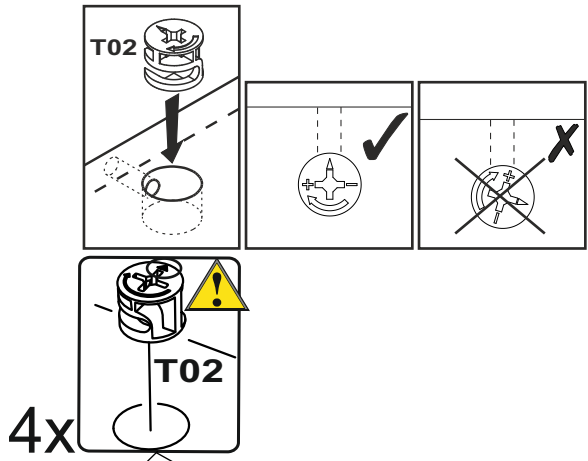
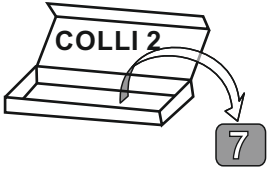
5

- 10x T04
- 4x S01
- 6x T01

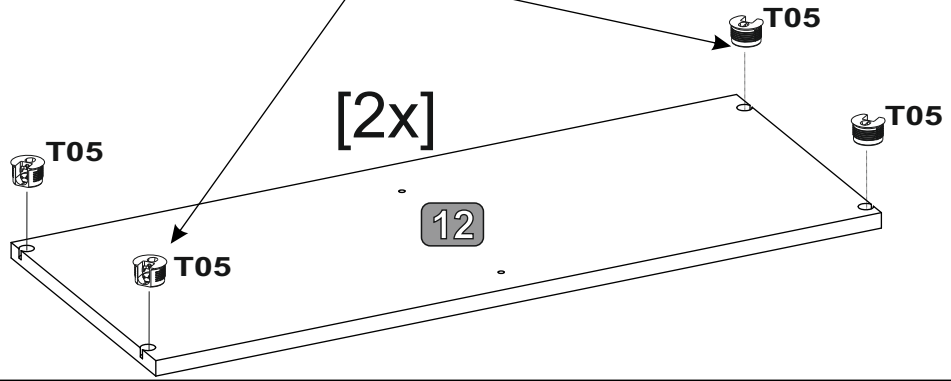
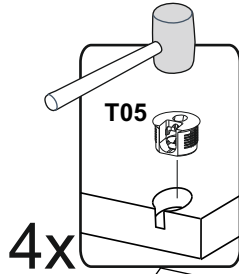
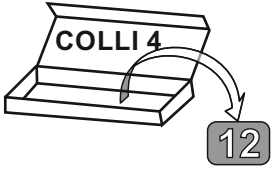
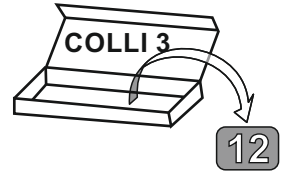
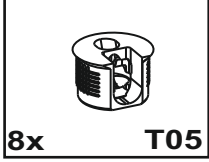


6

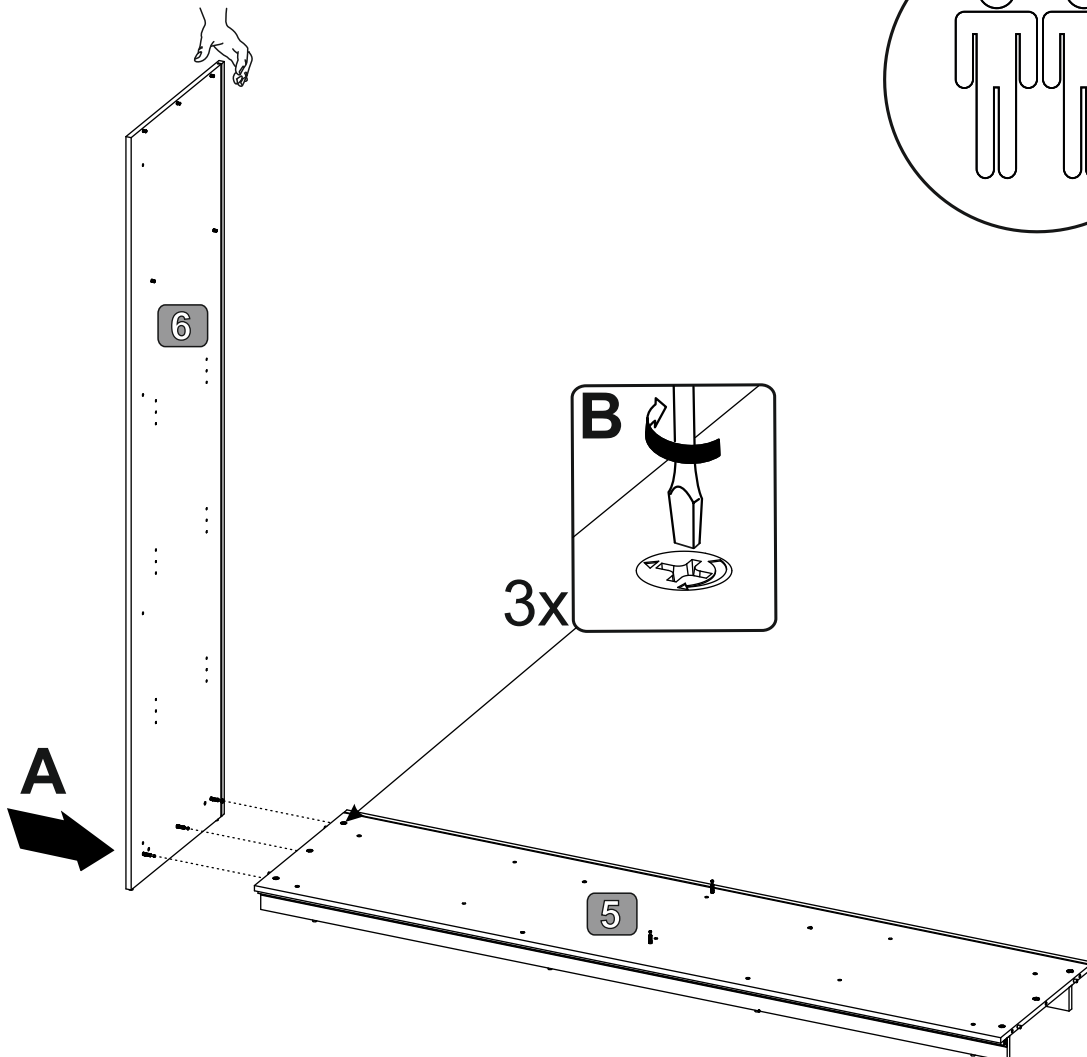
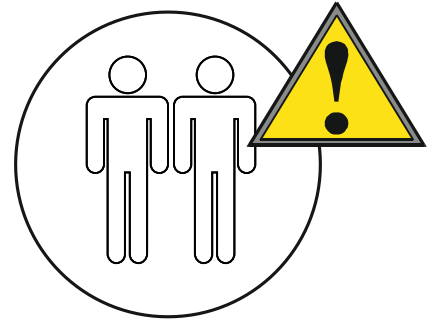
 8x28 4x D01	 4x T04	 2x E03	 3,5x13 2x W02	 15x12 4x T02
---	---	---	---	--



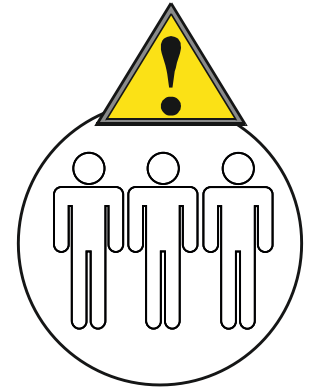
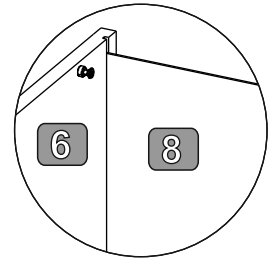
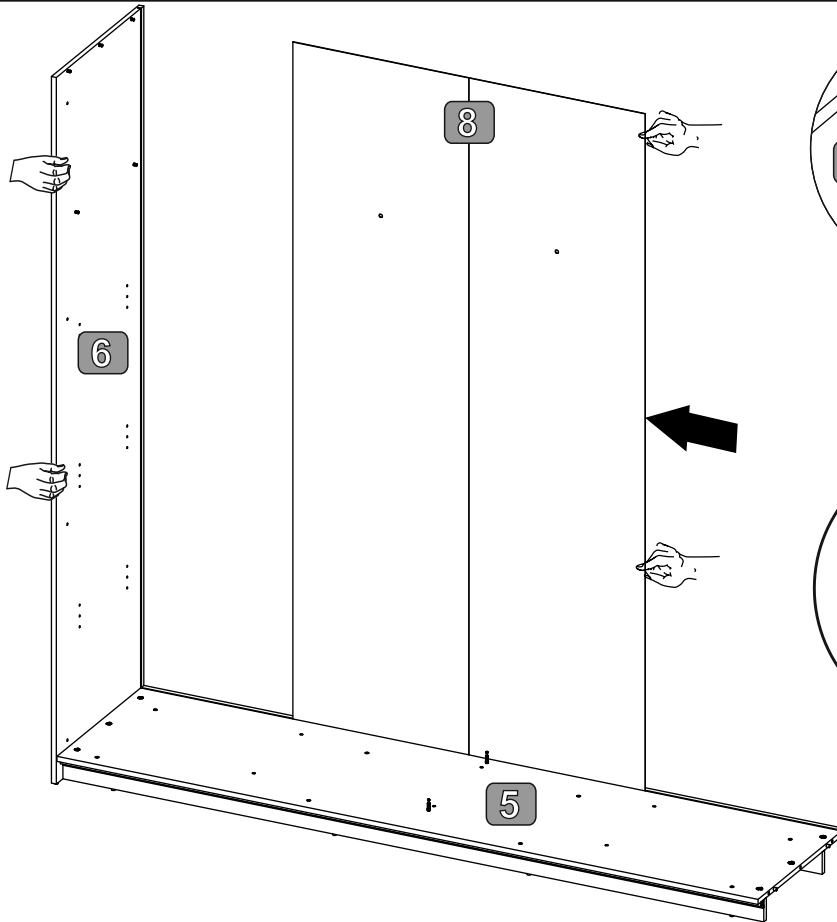
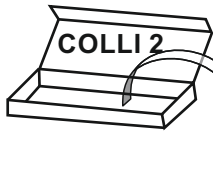
7



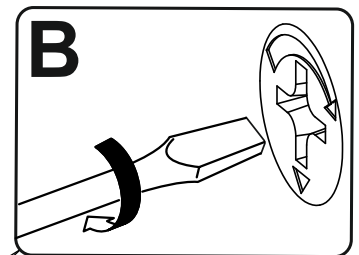
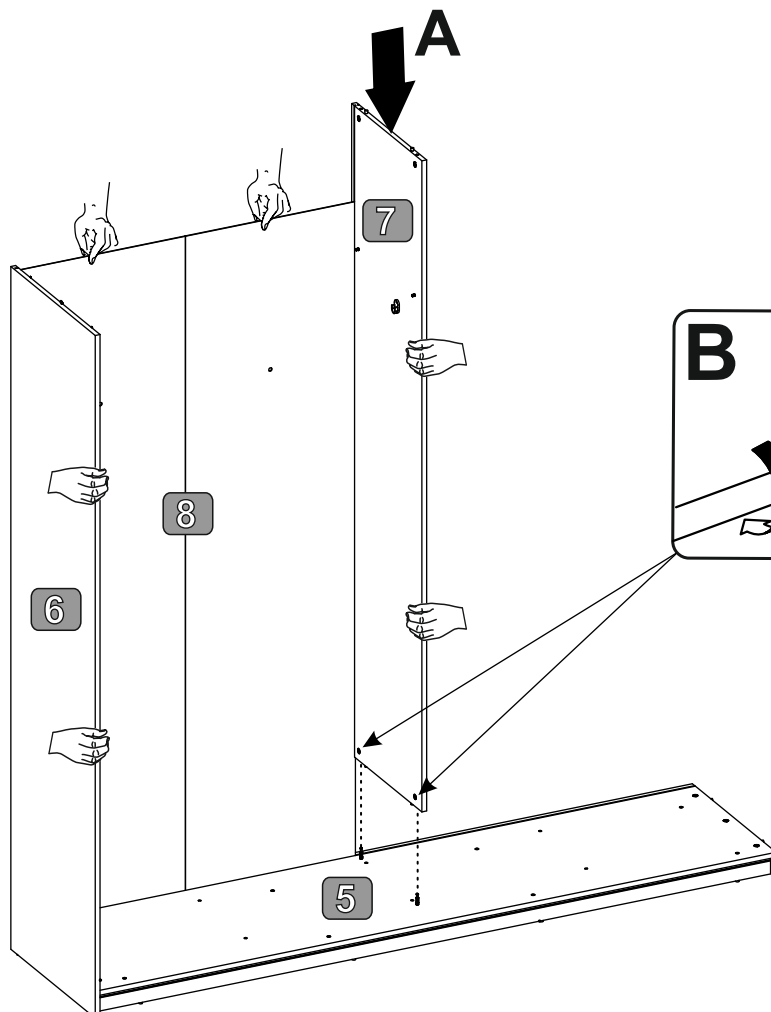
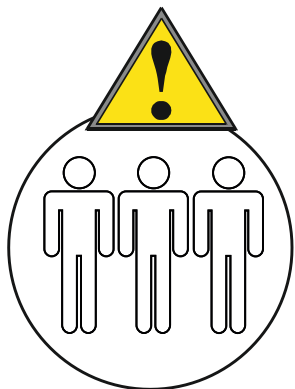
8



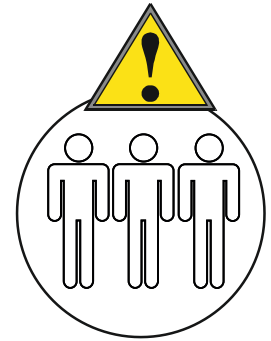
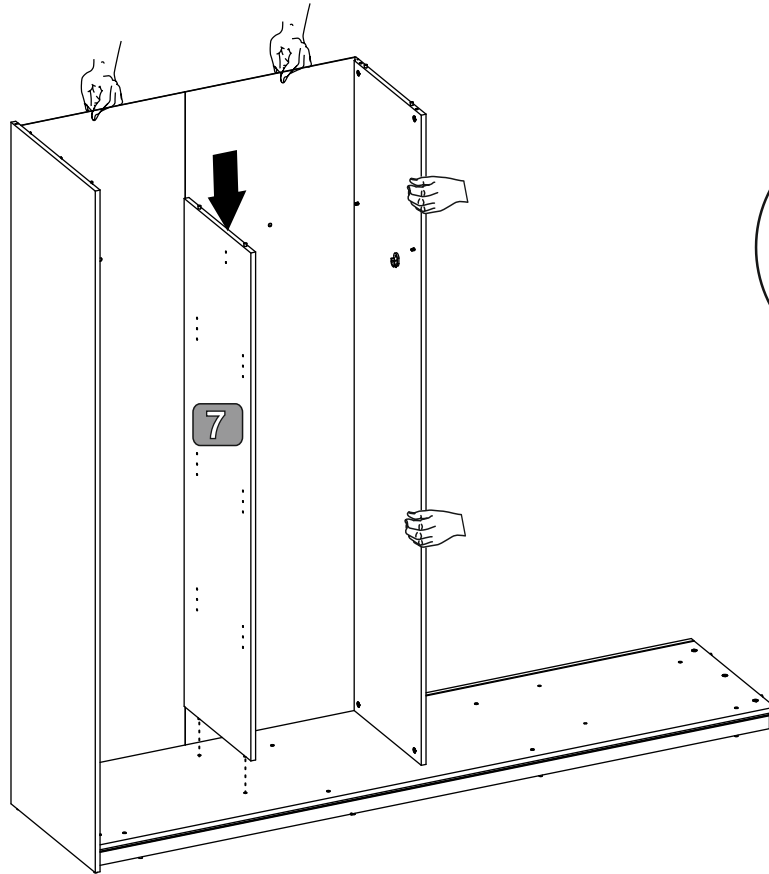
9



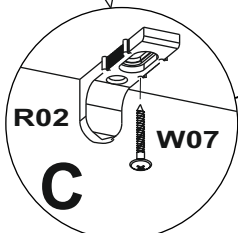
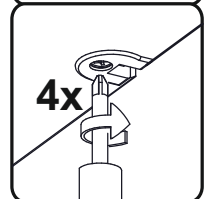
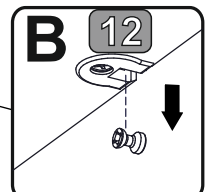
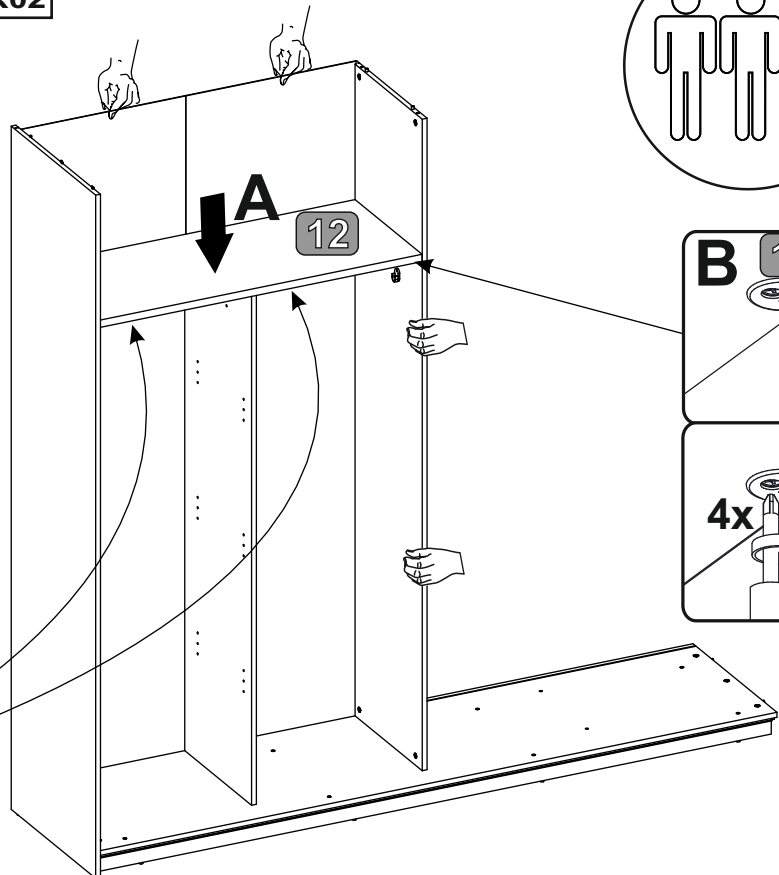
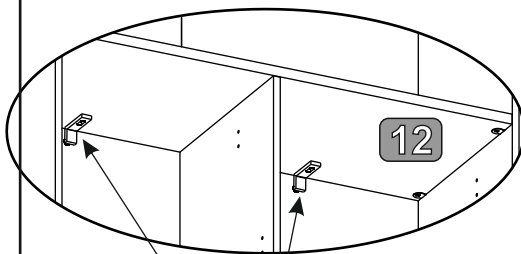
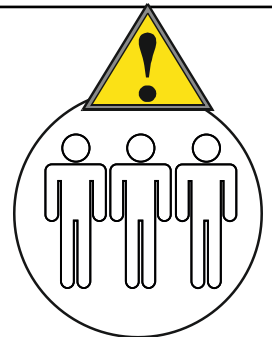
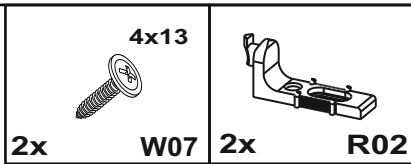
10



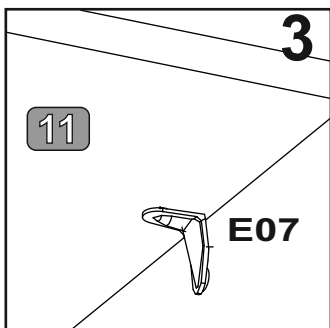
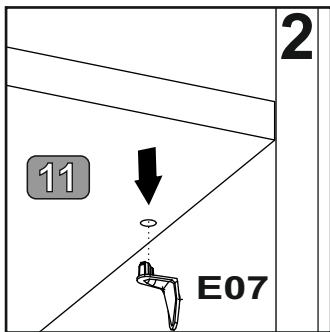
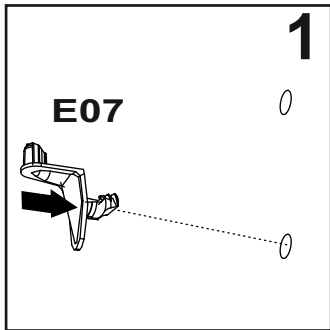
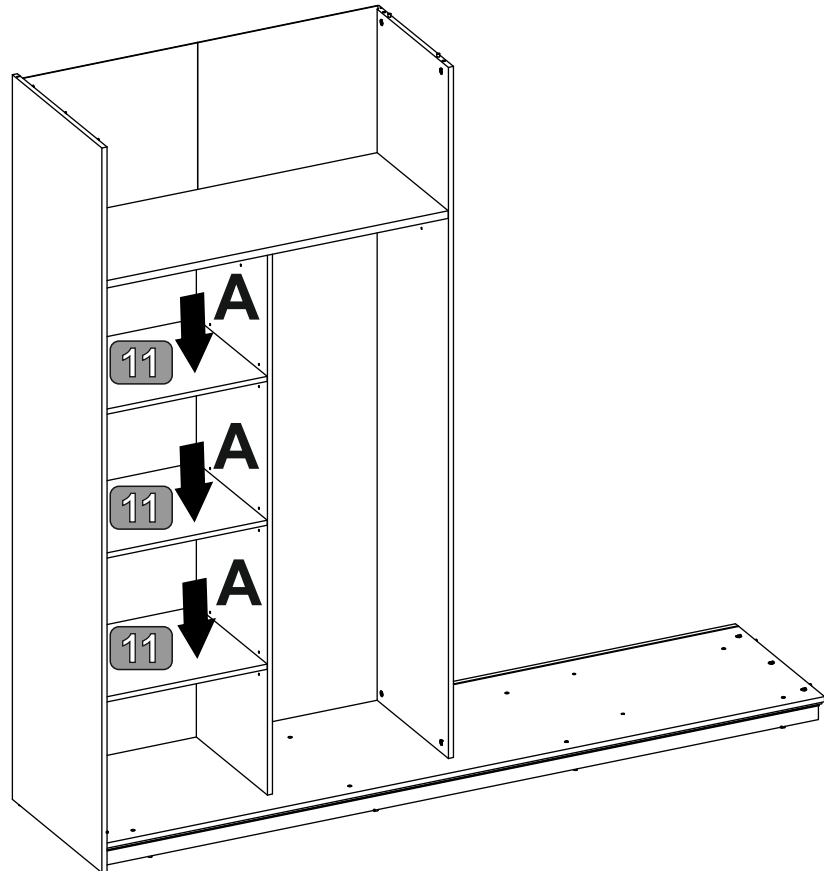
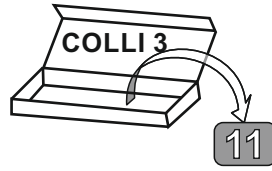
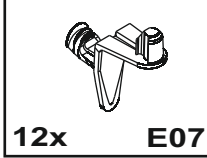
11



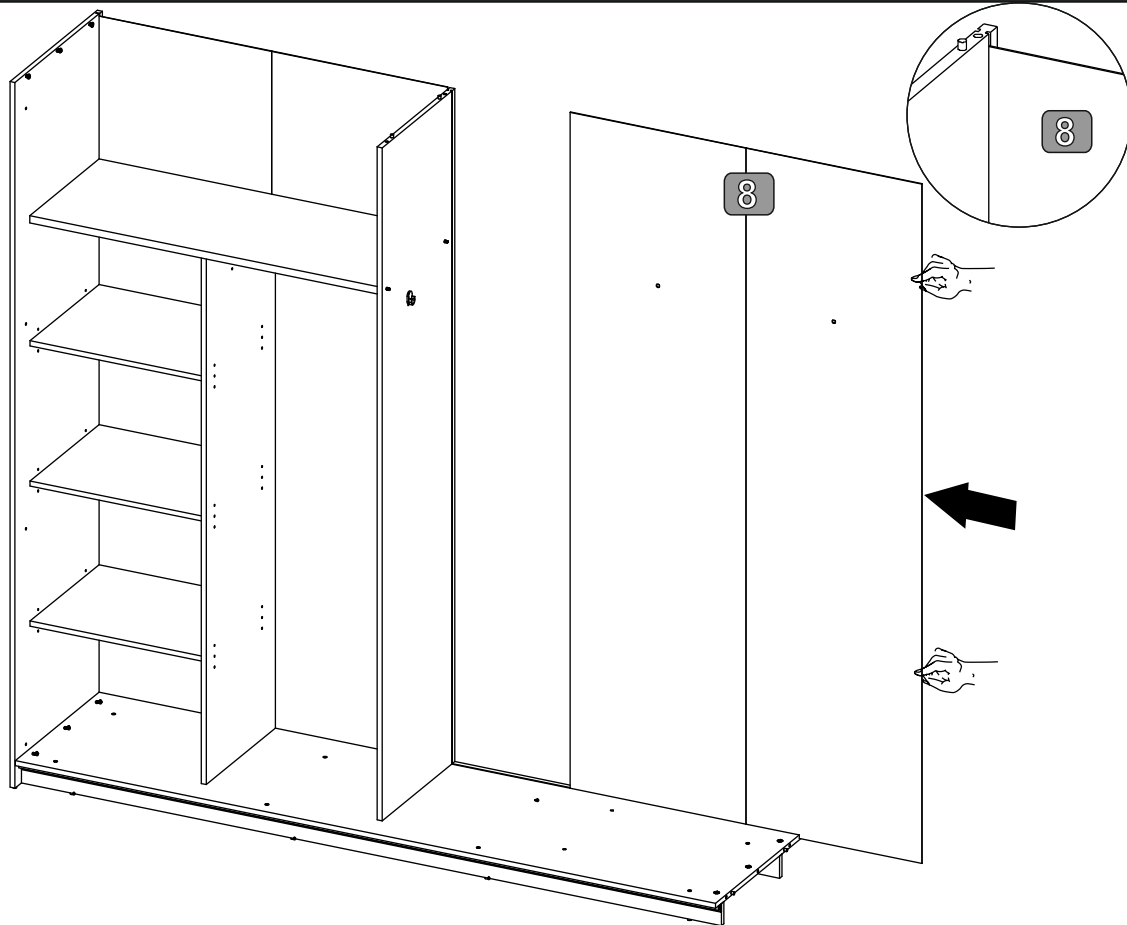
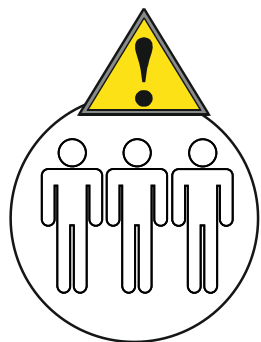
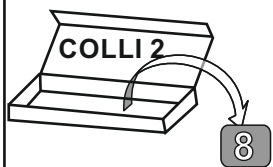
12



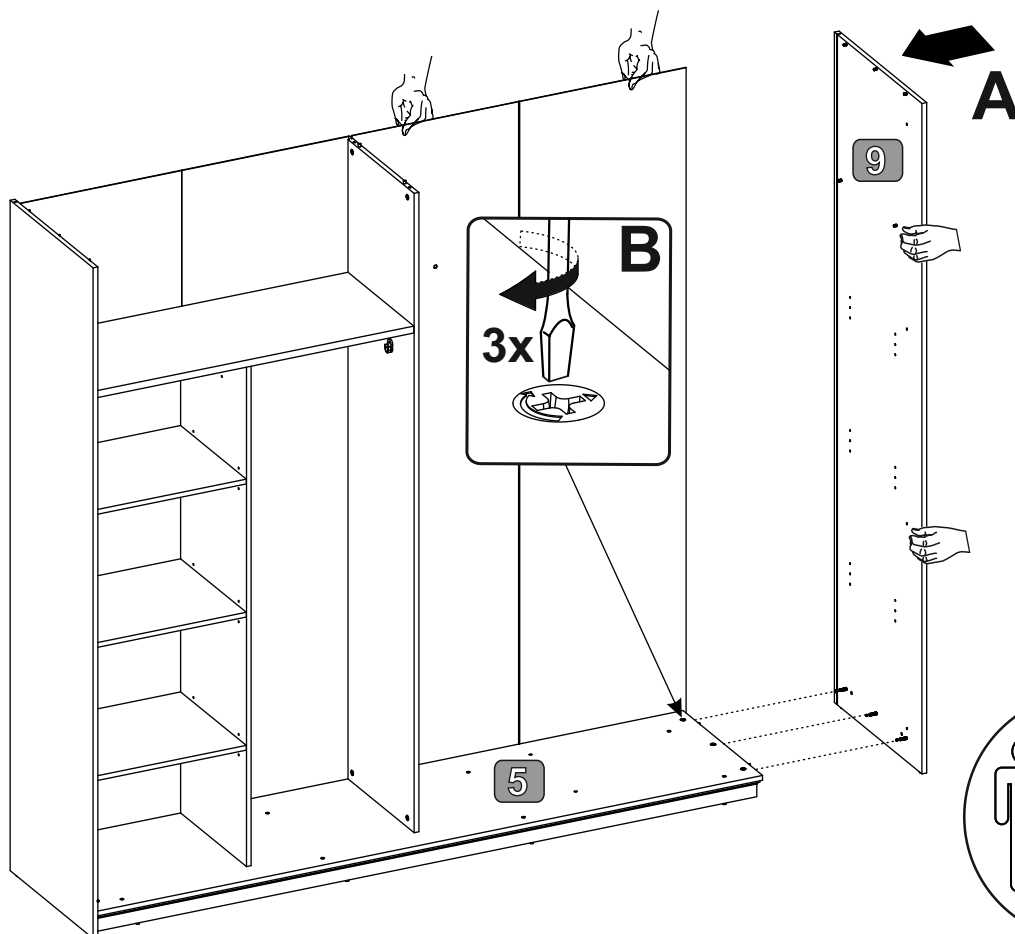
13



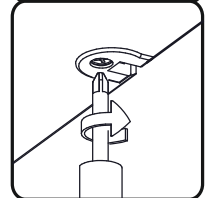
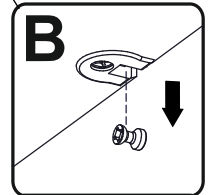
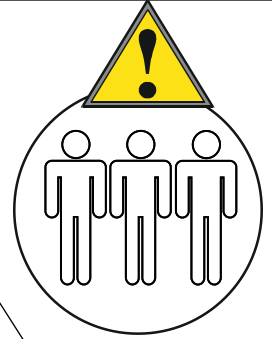
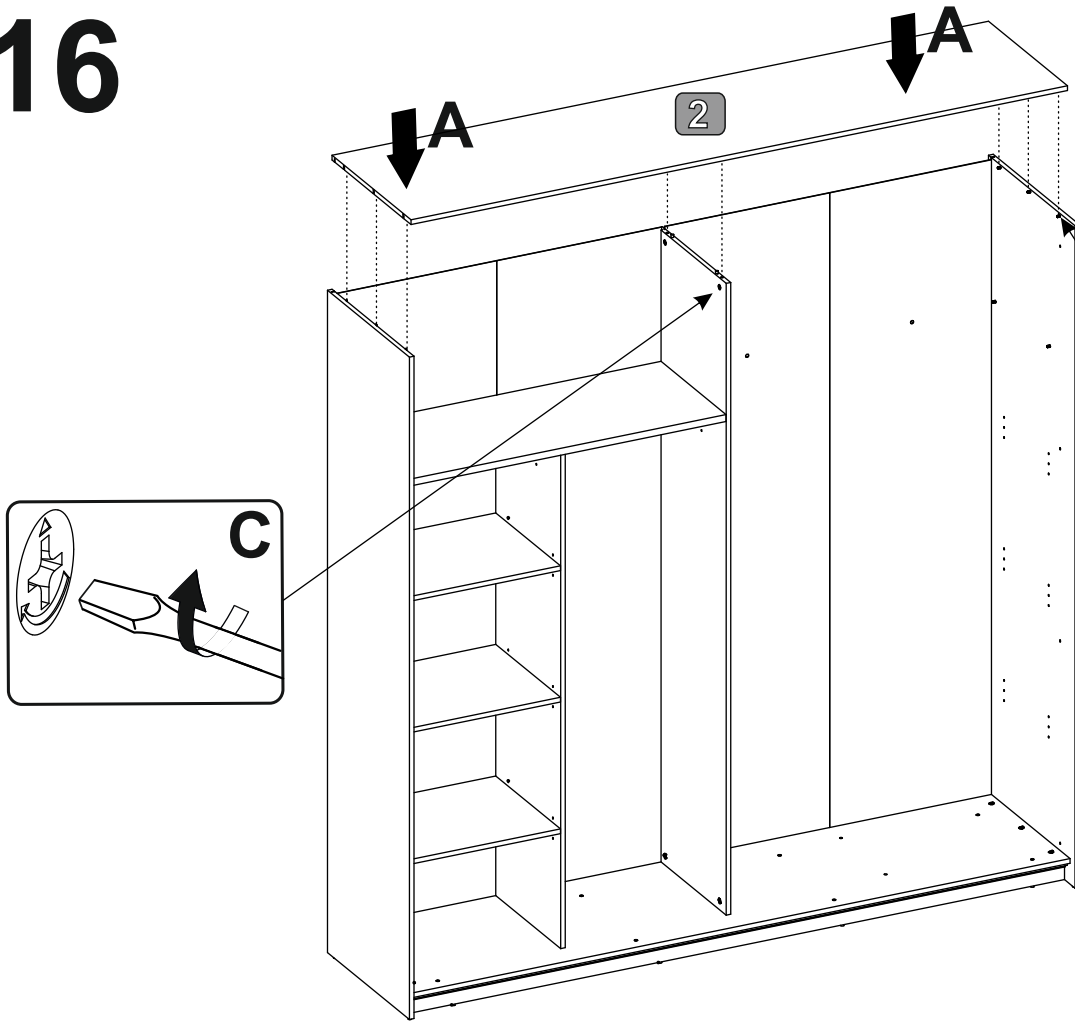
14



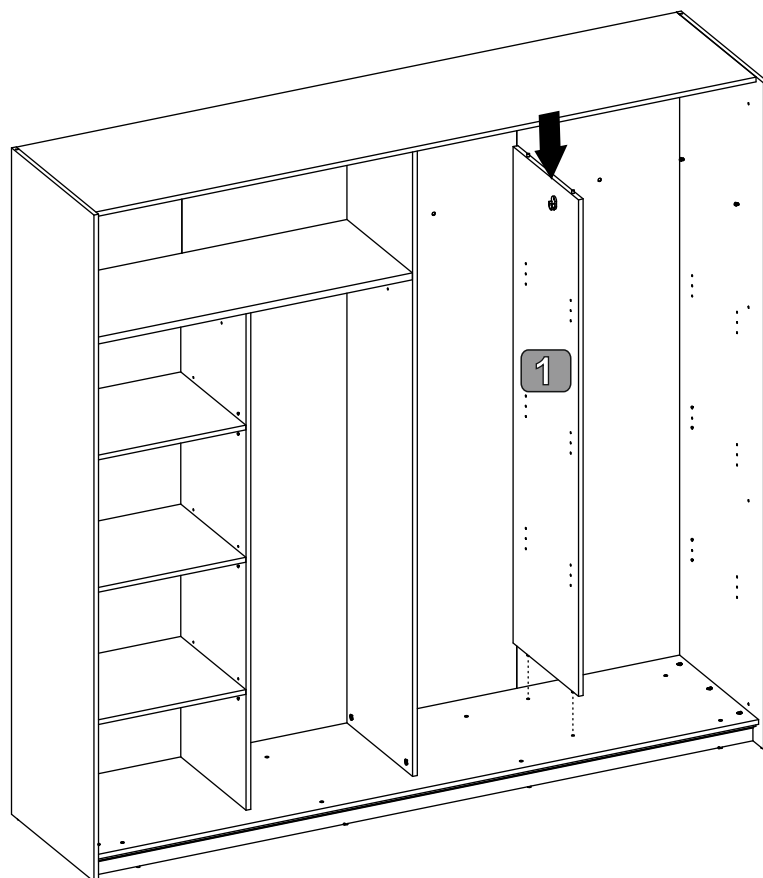
15



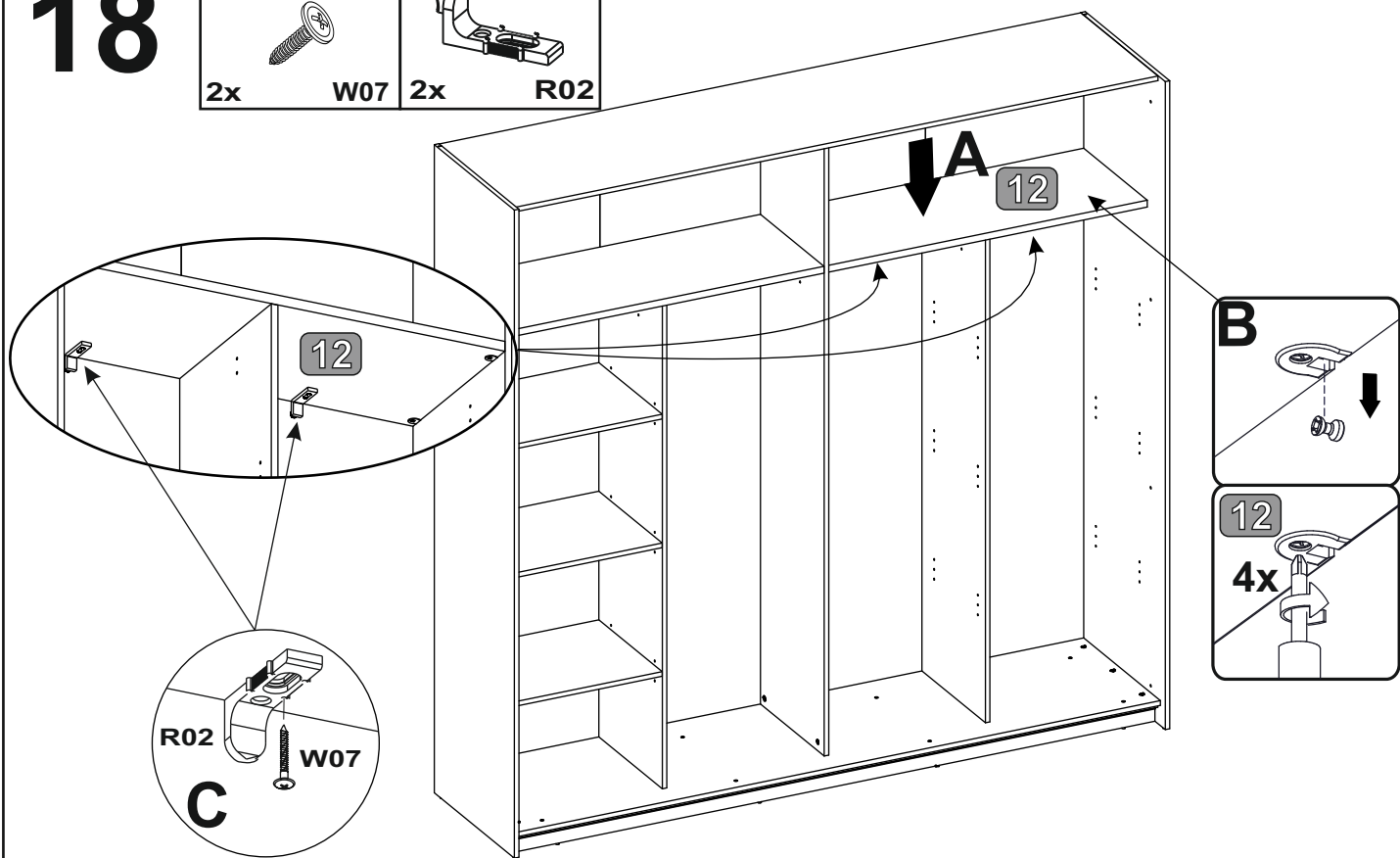
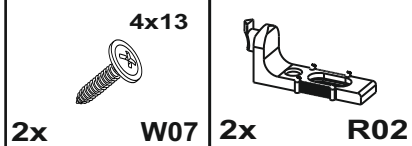
16



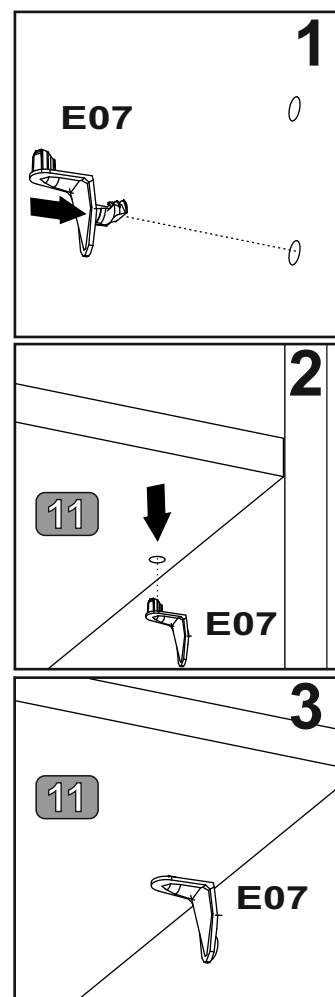
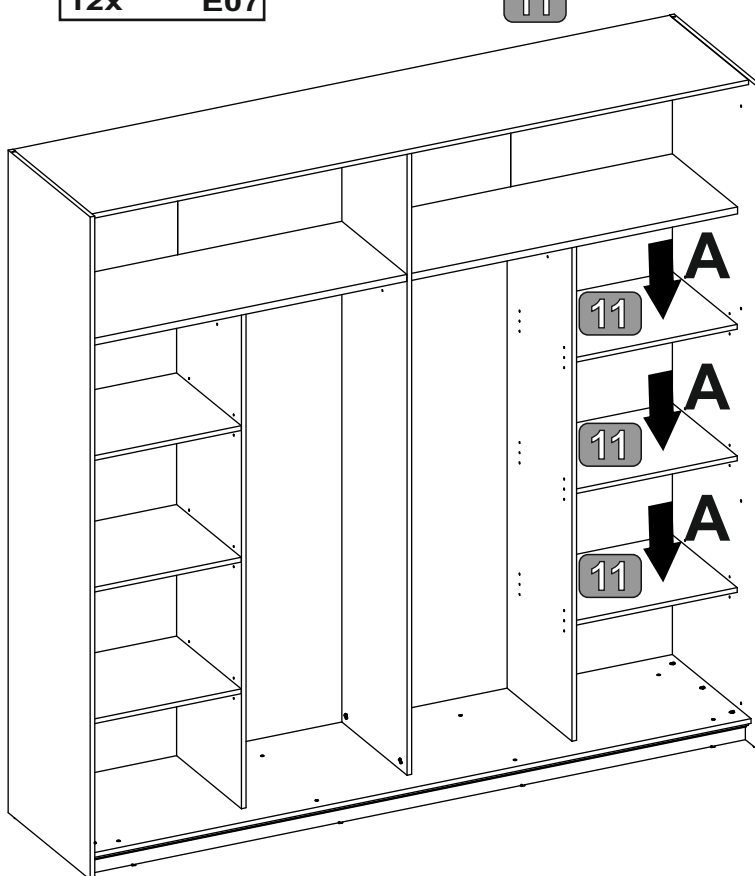
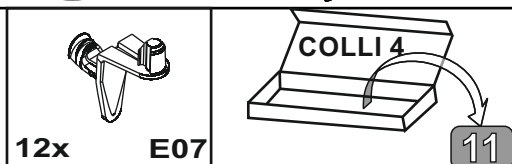
17



18



19



20

28x

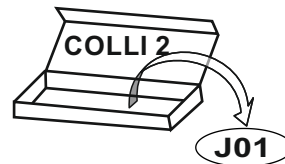
R01

10x

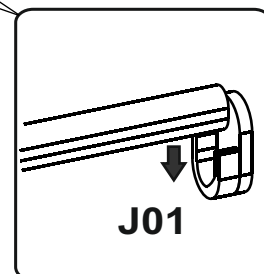
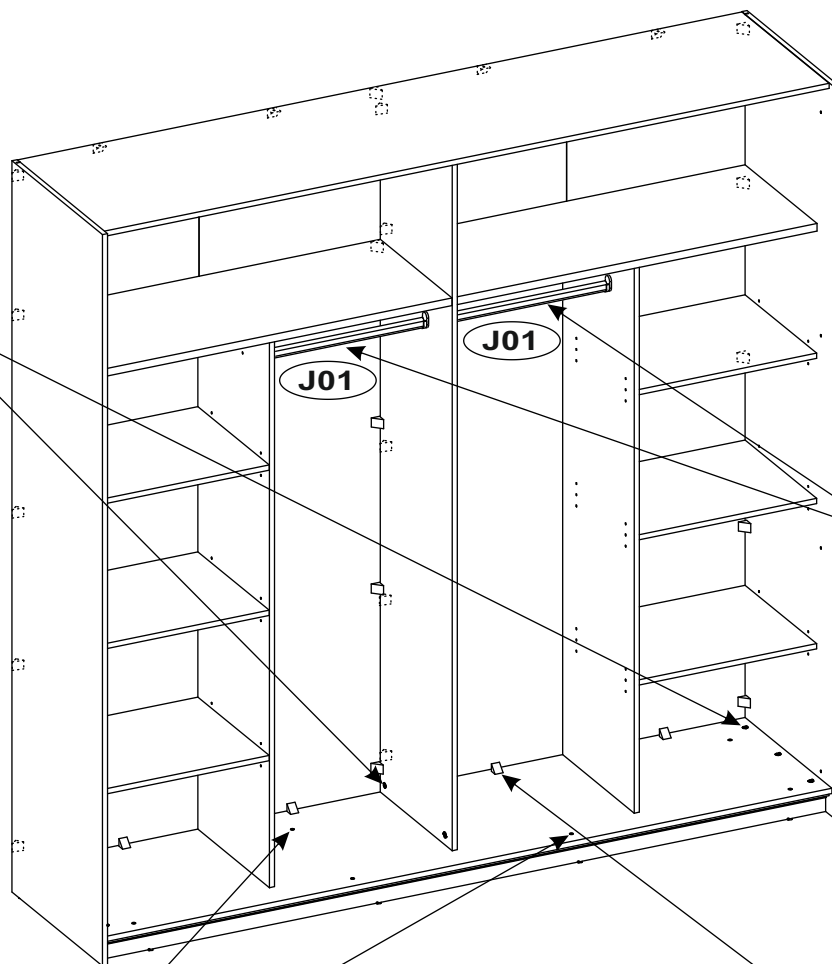
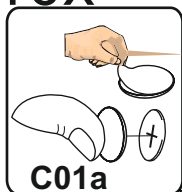
C02a

8x

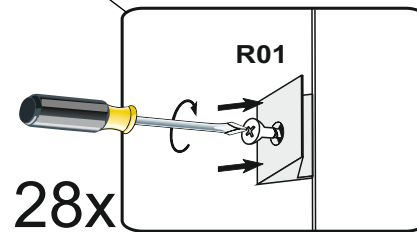
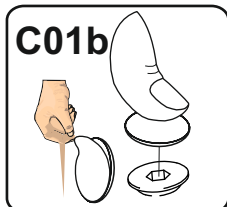
C02b




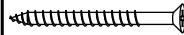


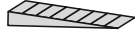
10x

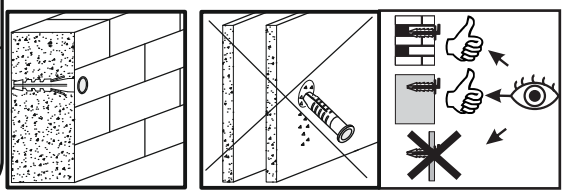
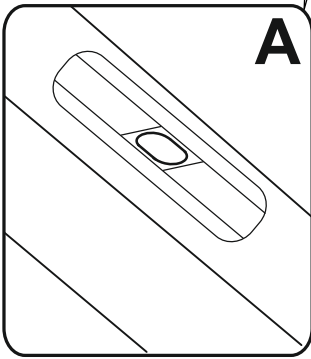
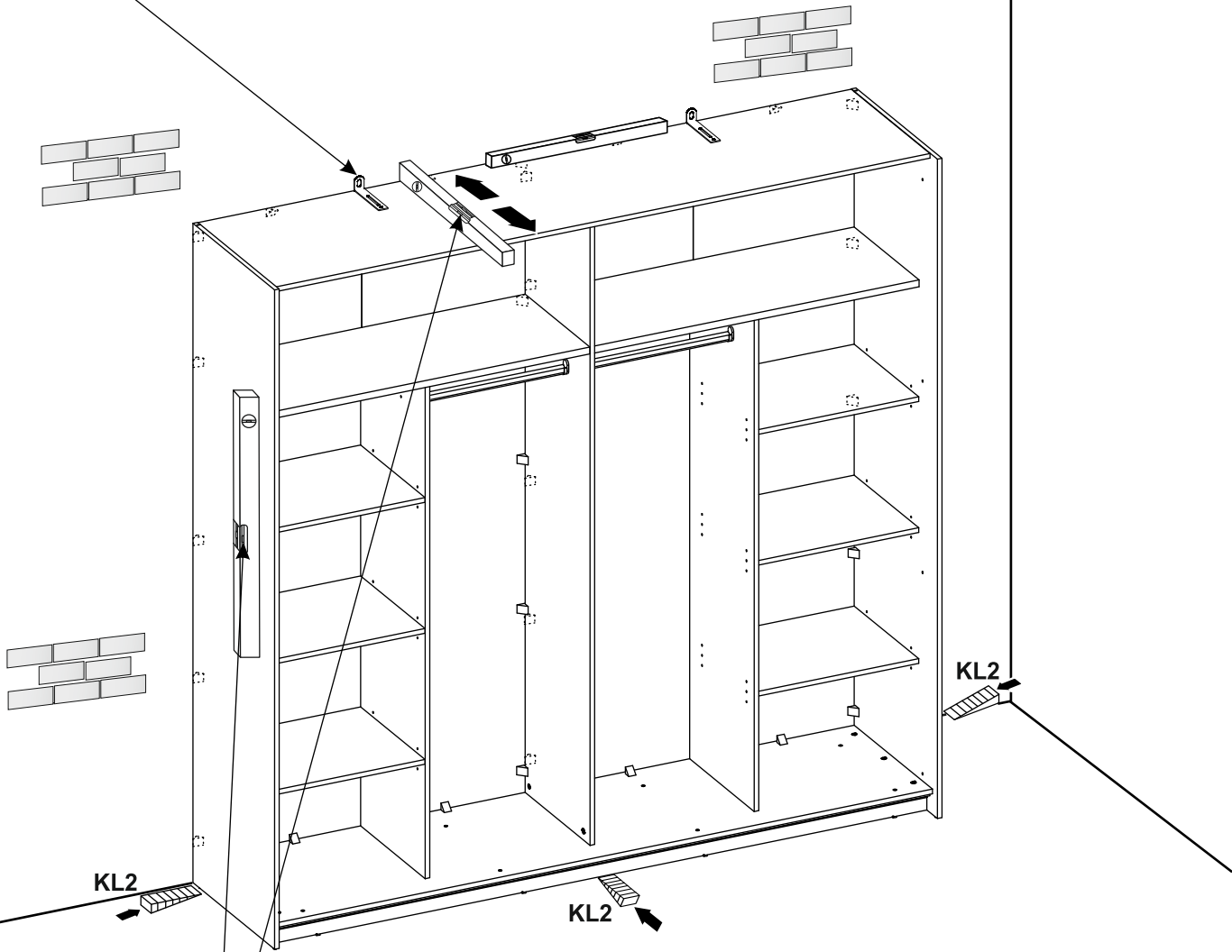
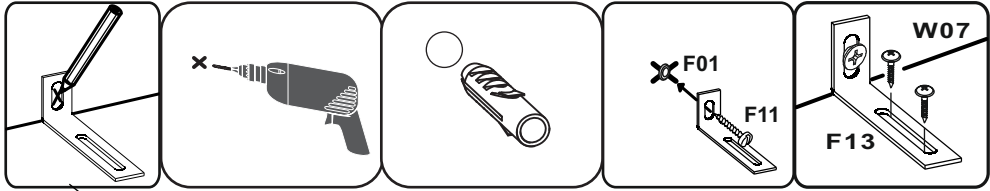


8x

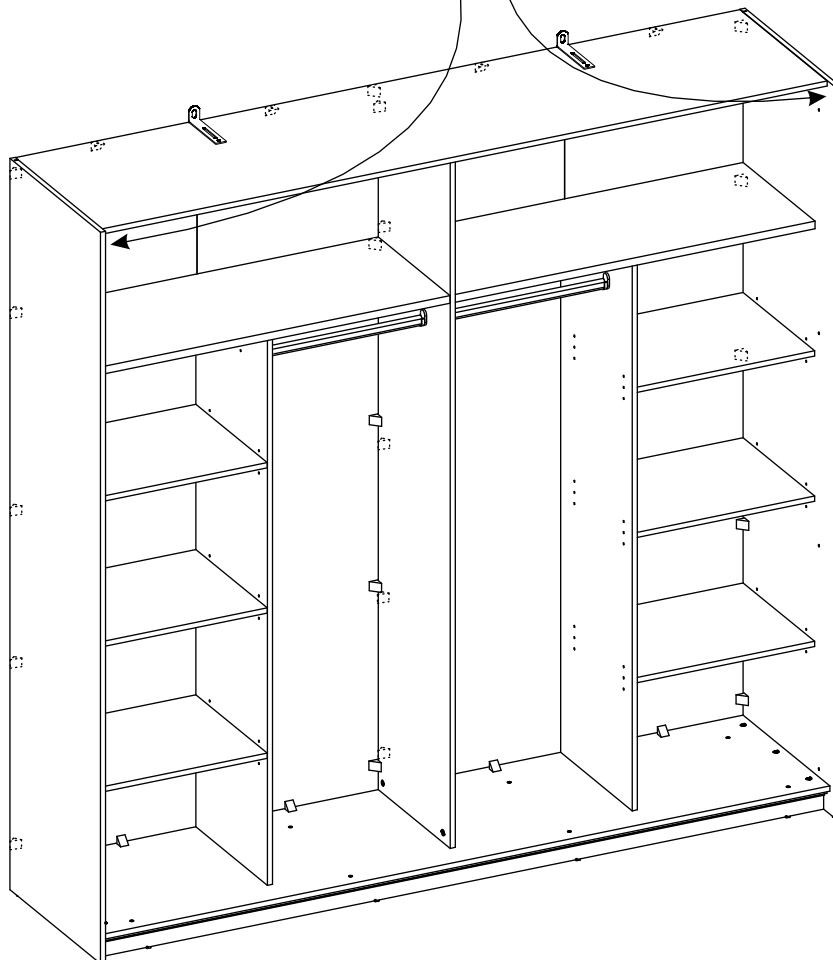
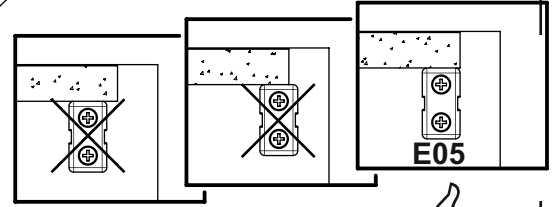
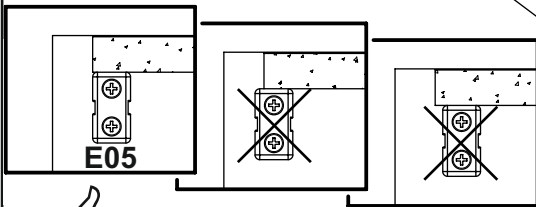
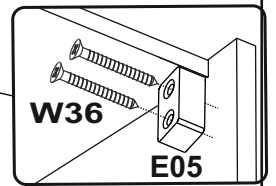
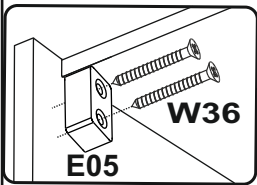
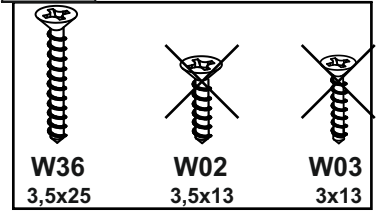
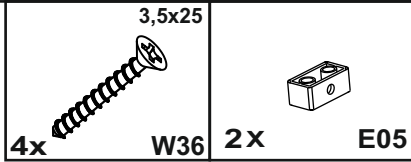


21

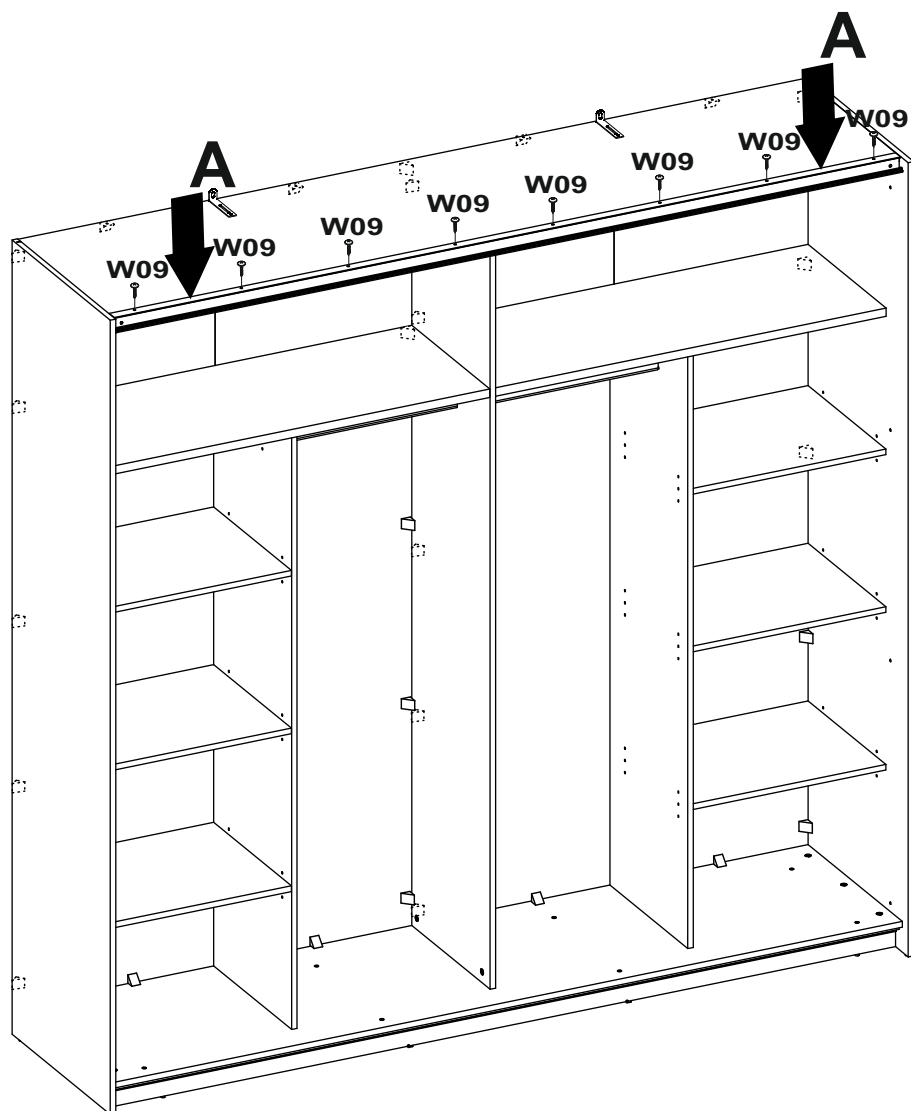
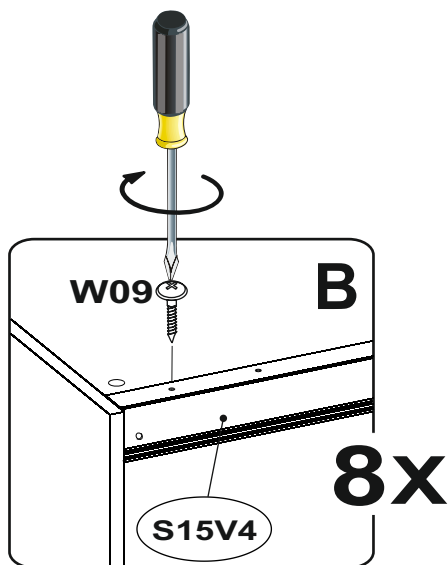
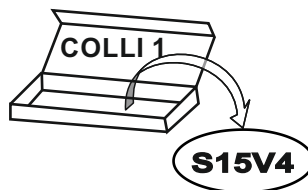
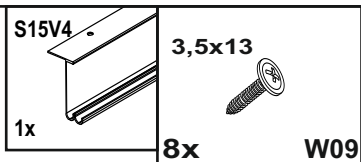
 2x F01	 2x F11	 2x F13	 4x W07	 3x KL2
---	---	---	---	---



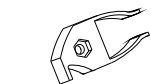
22



23

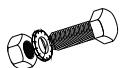


24



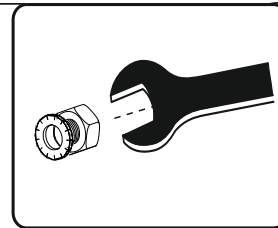
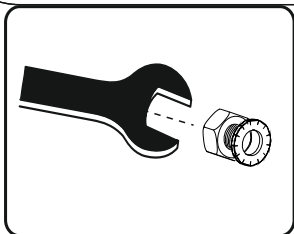
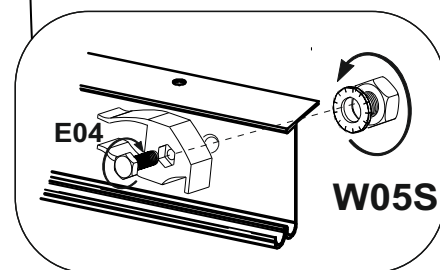
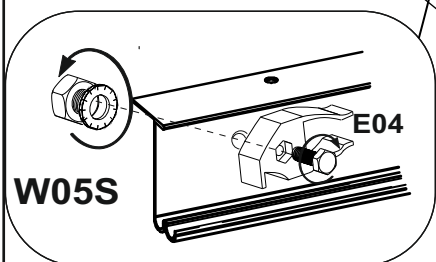
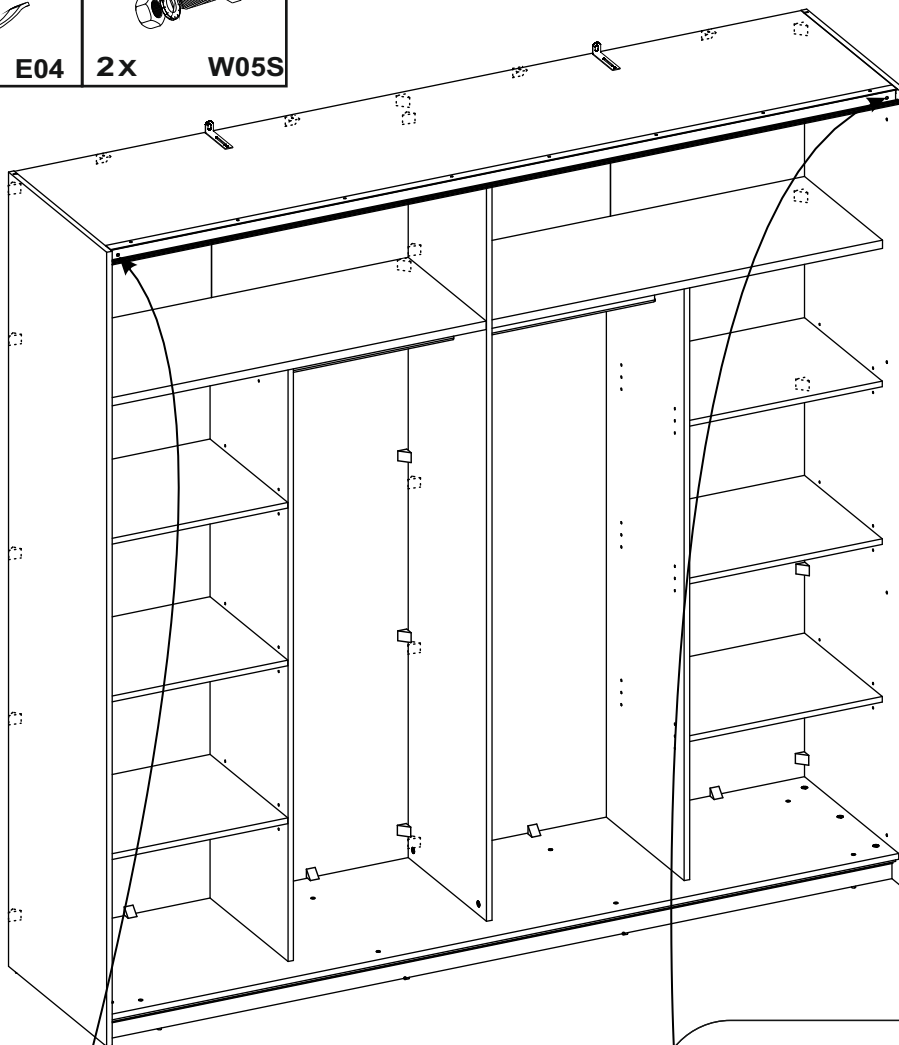
2X

E04



2X

W05S



Ø8



Ø8



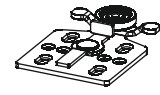
25

3,5x13



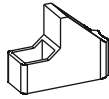
5x

W02



2x

S26



1x

S11



2x

S14

4x13



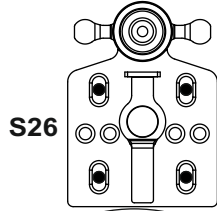
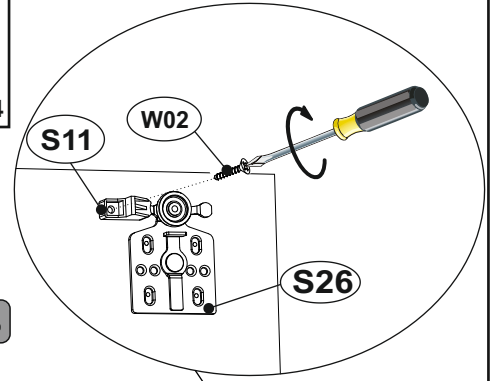
12x

W13

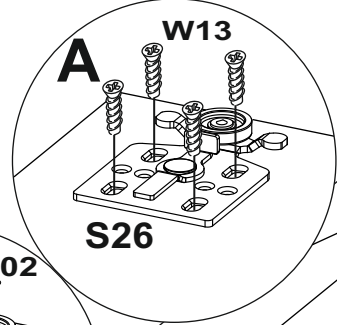


COLLI 3

10 13



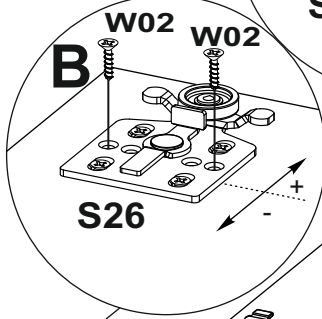
S26



W13

A

S26

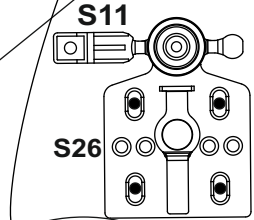
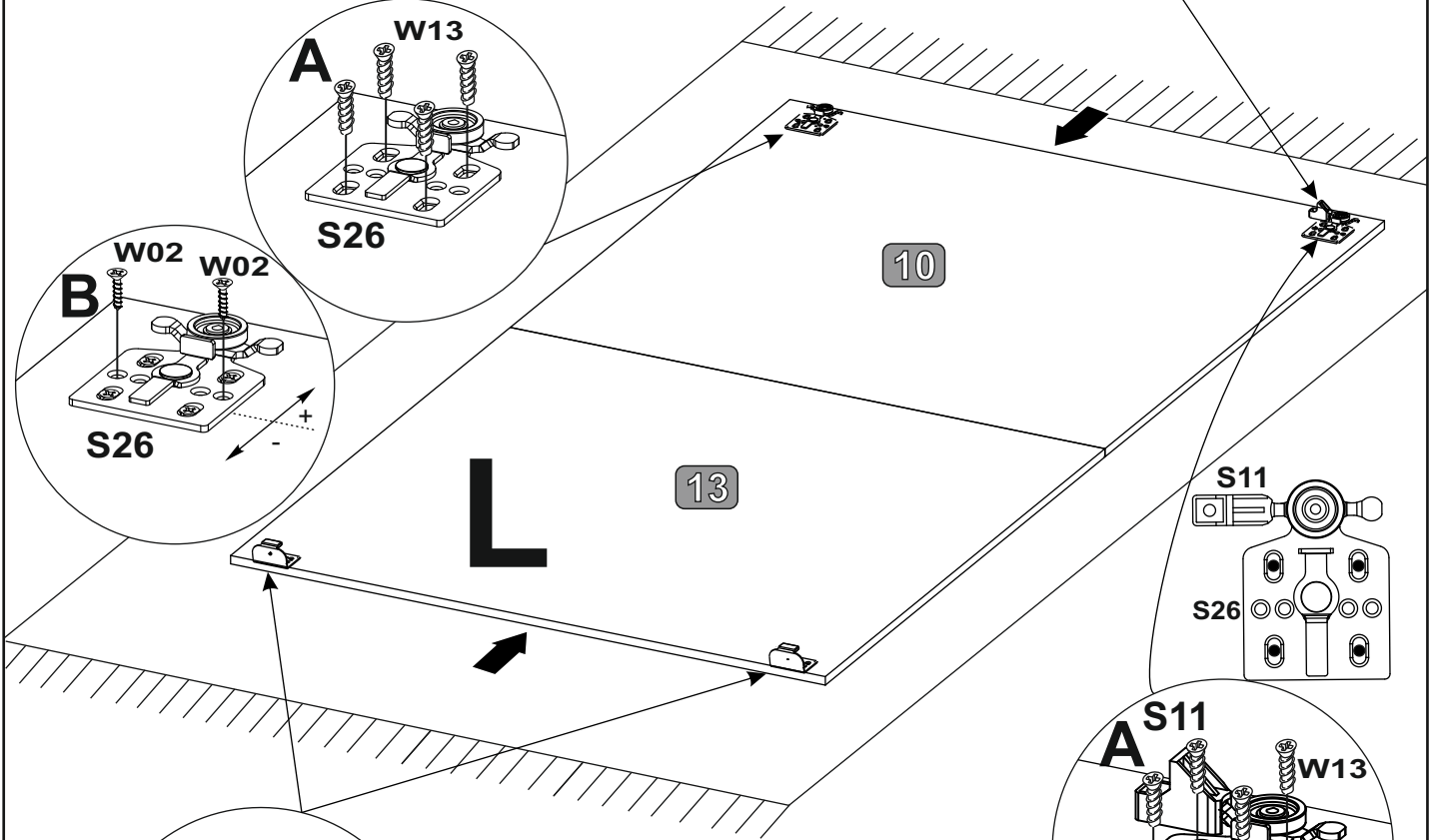


W02

W02

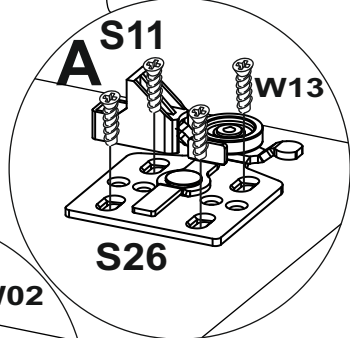
B

S26



S11

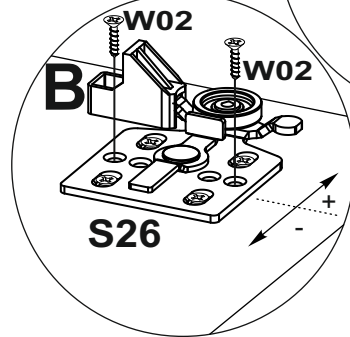
S26



S11

A

S26

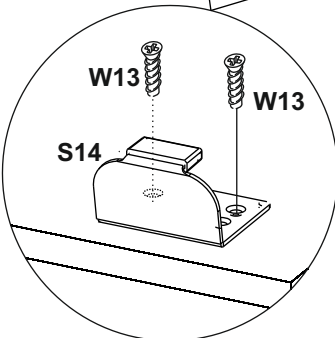


W02

W02

B

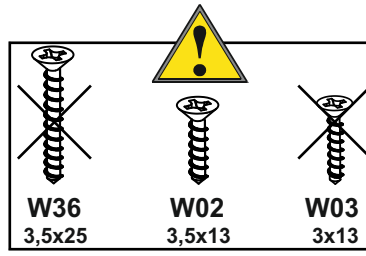
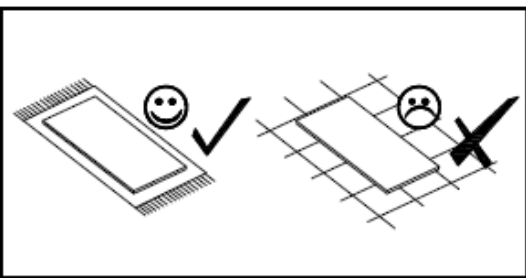
S26



W13

W13

S14

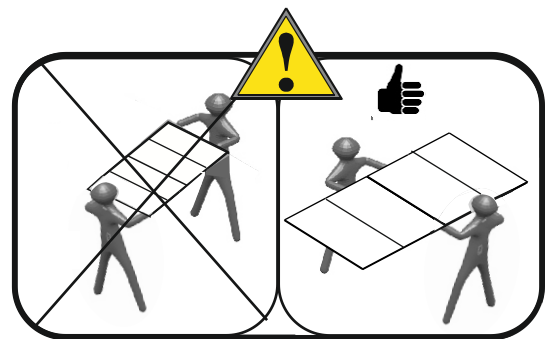
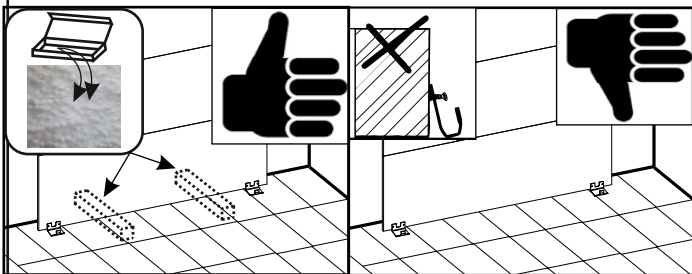
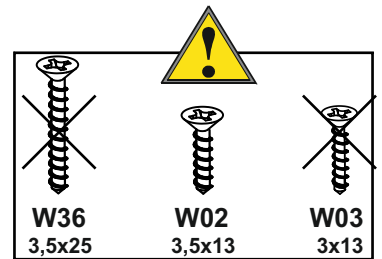
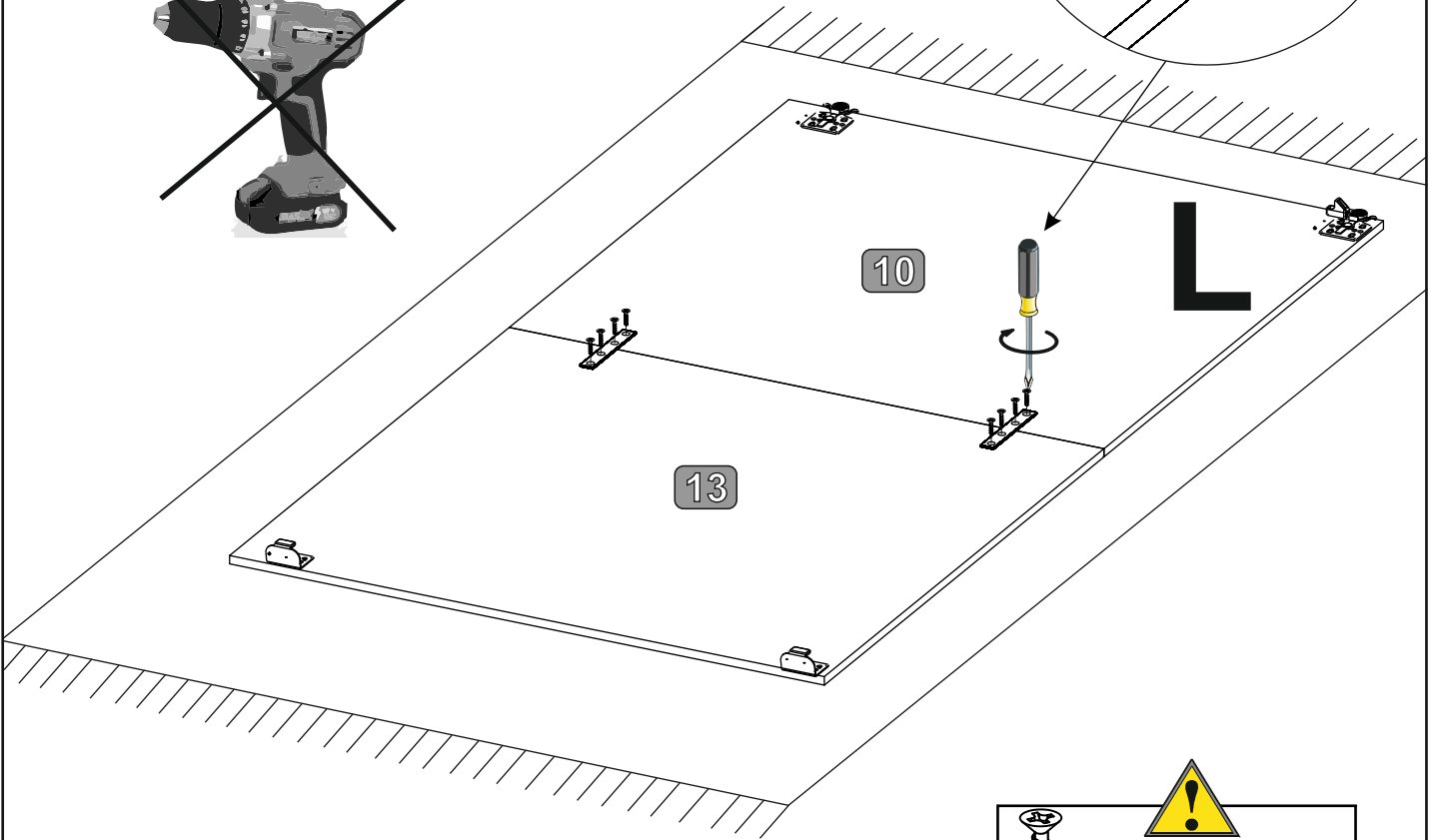
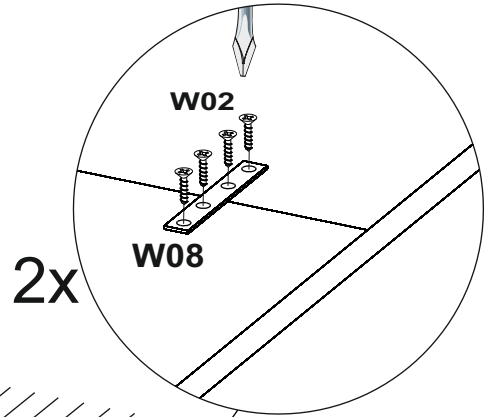
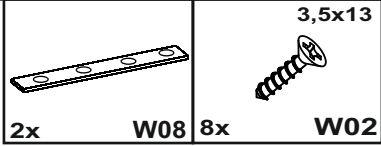


W36
3,5x25

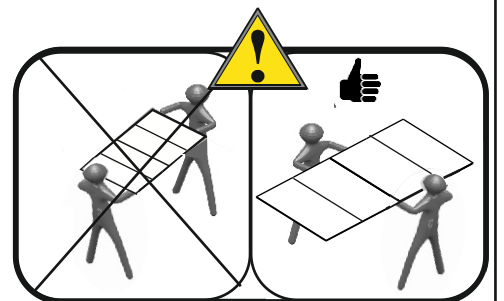
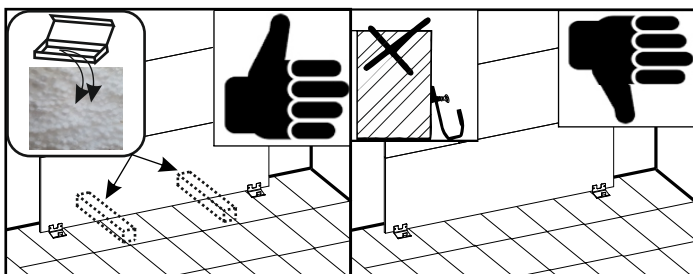
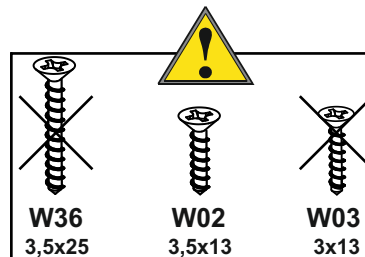
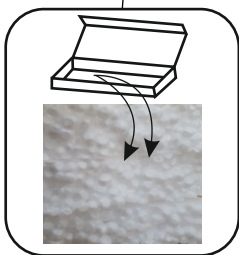
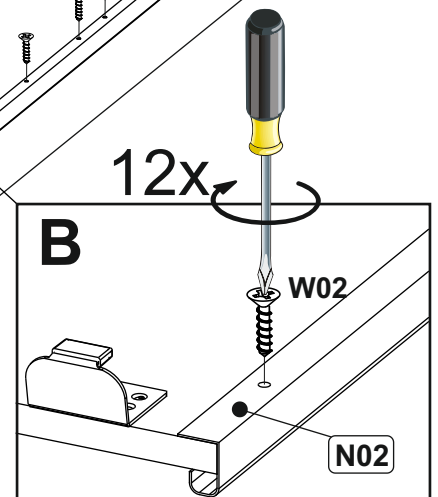
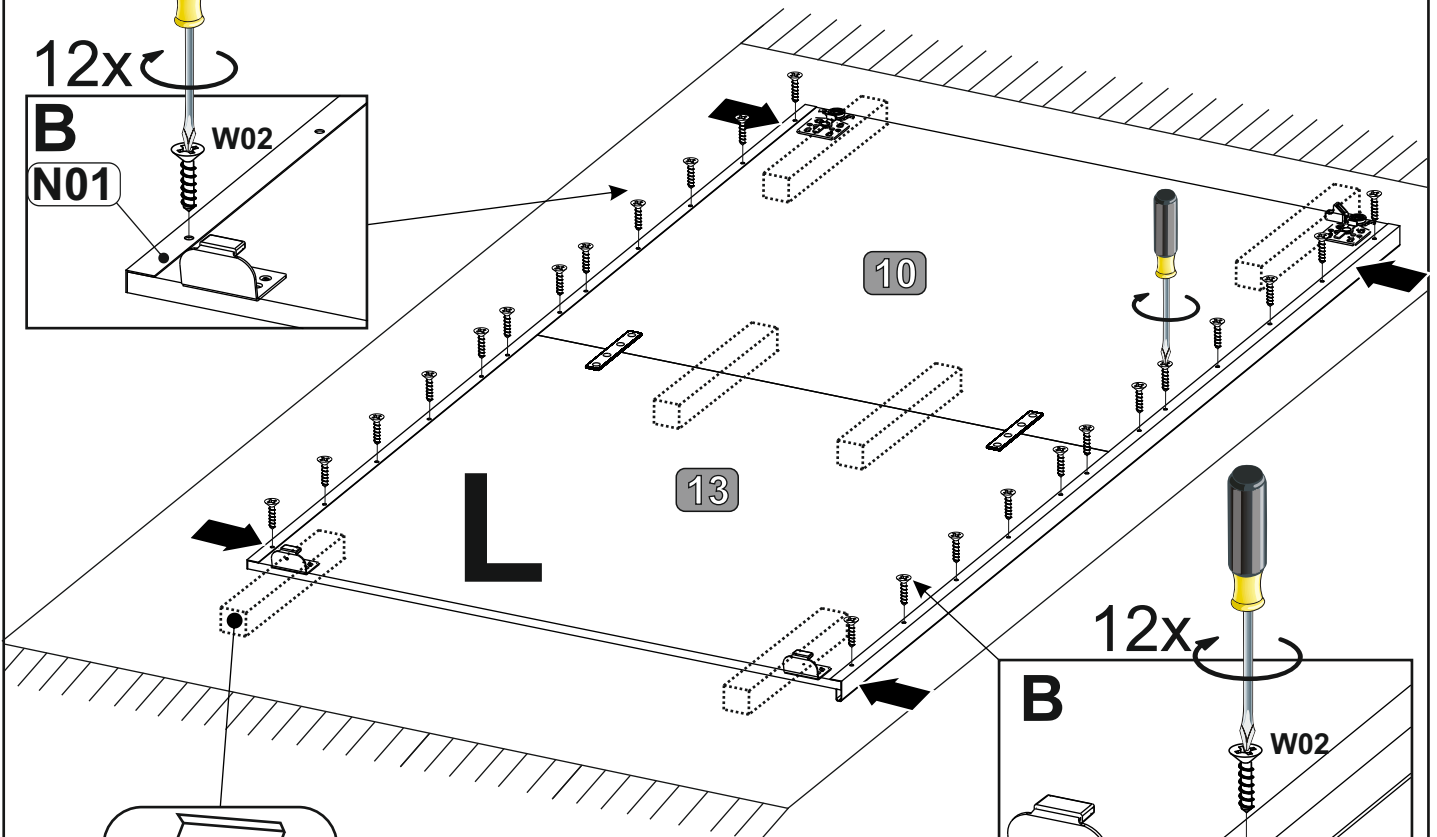
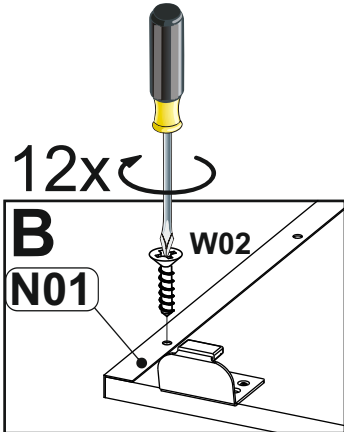
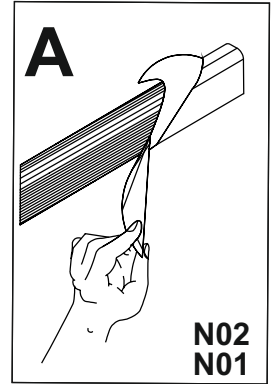
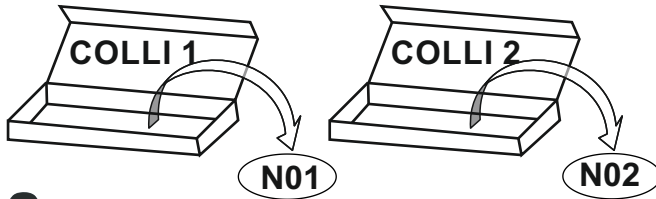
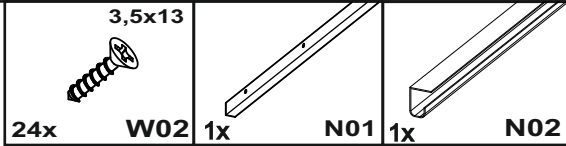
W02
3,5x13

W03
3x13

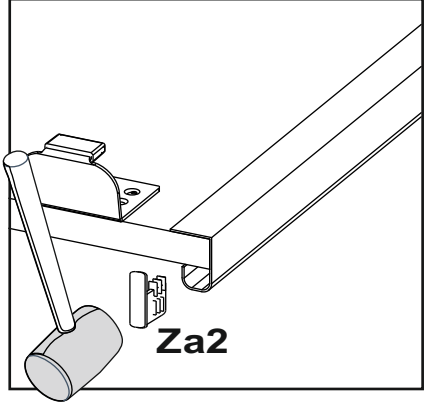
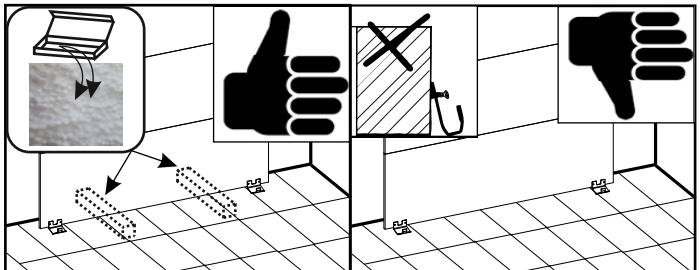
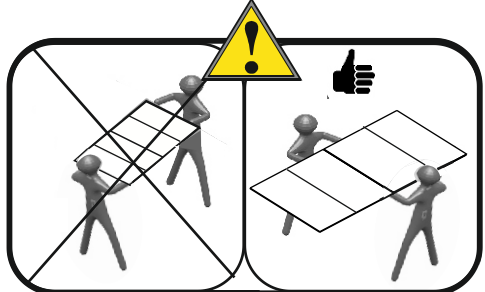
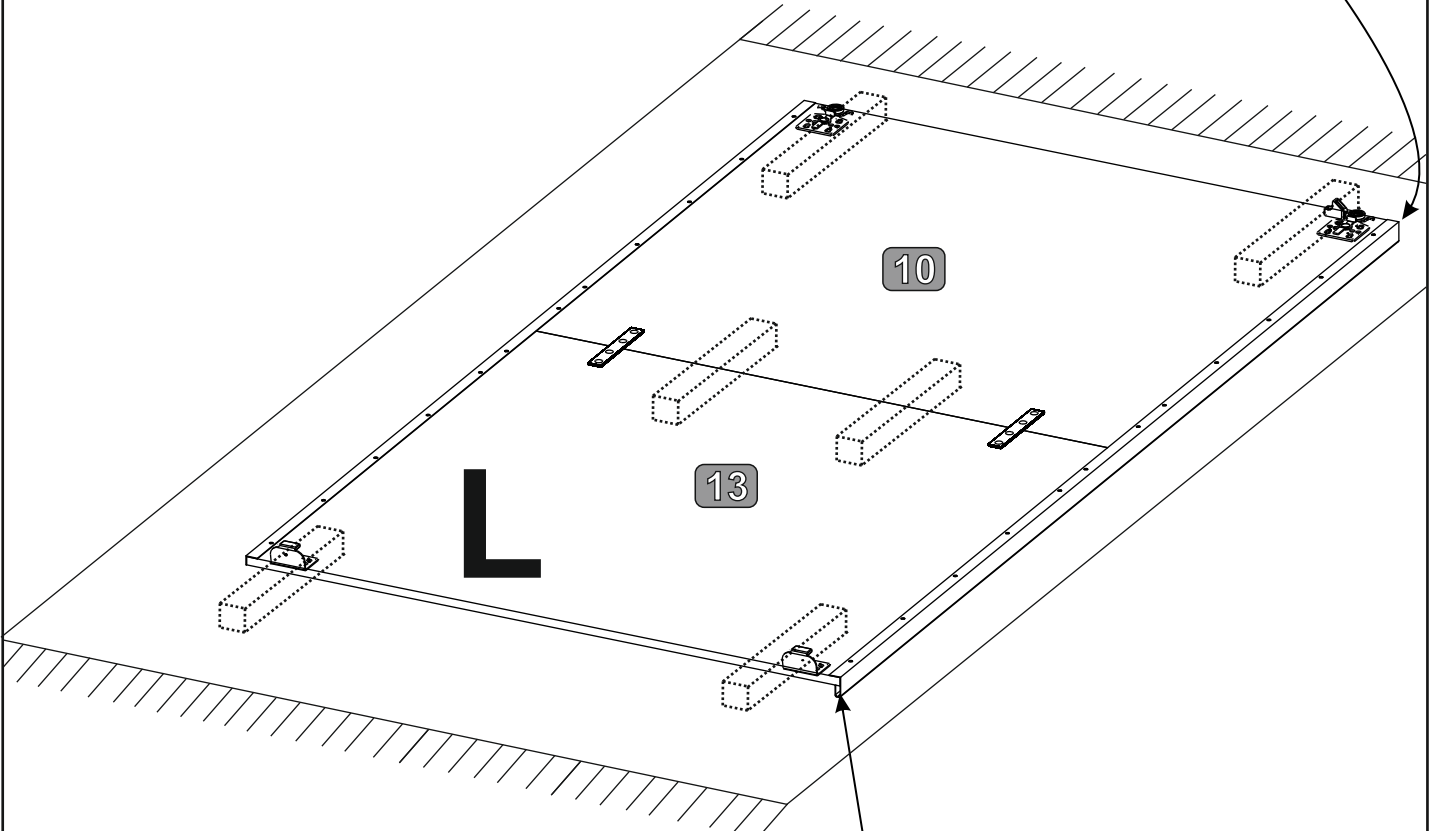
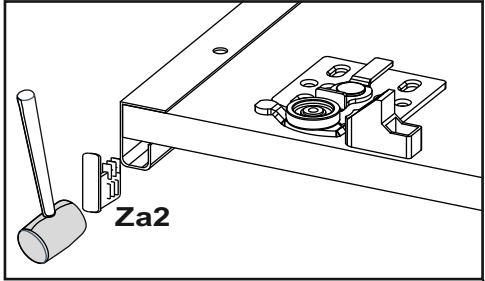
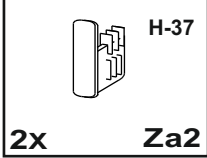
26



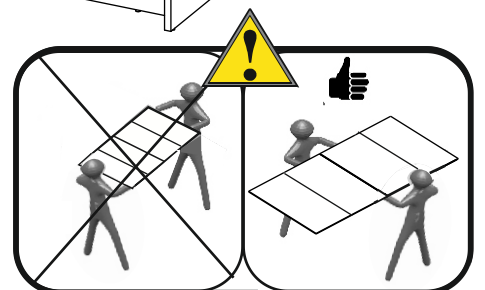
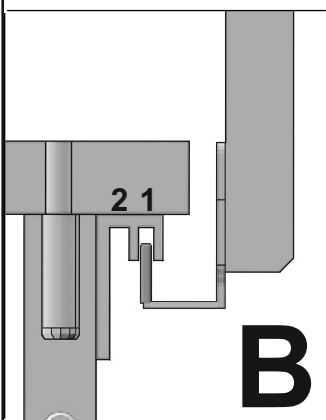
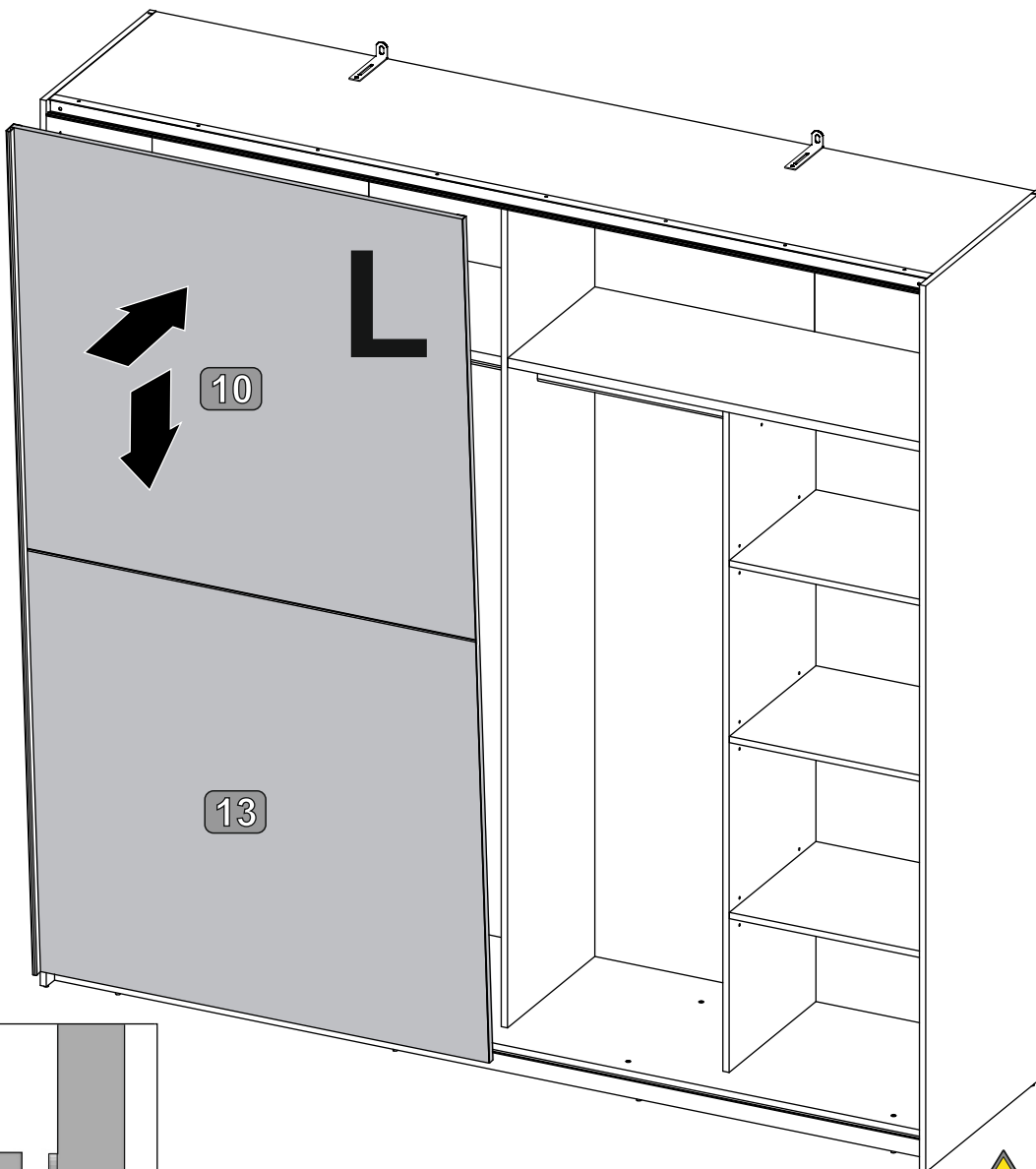
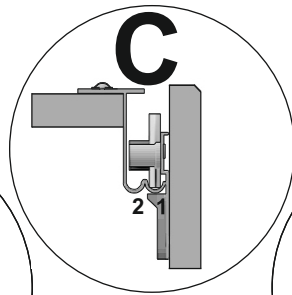
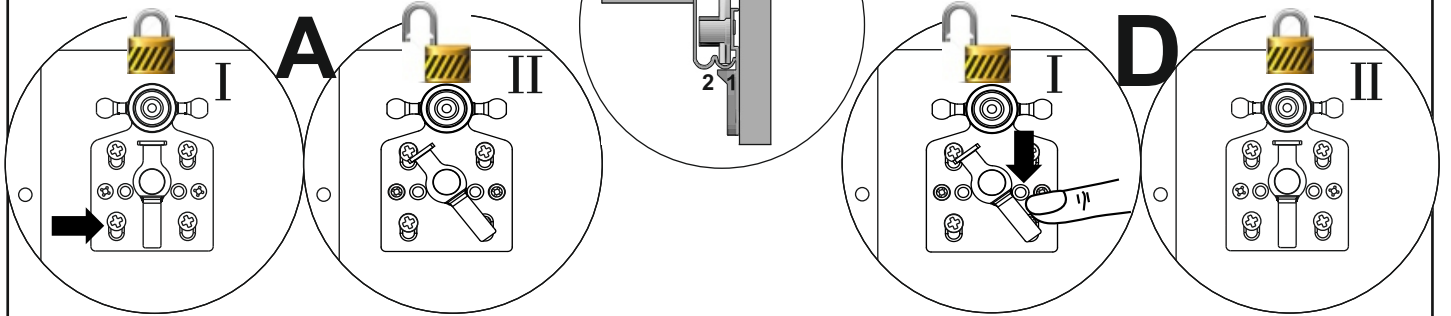
27




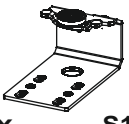


28

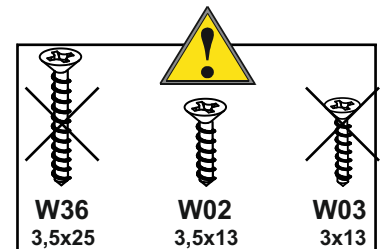
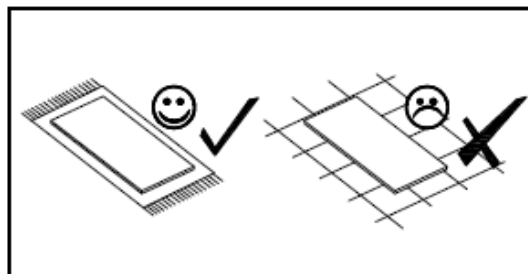
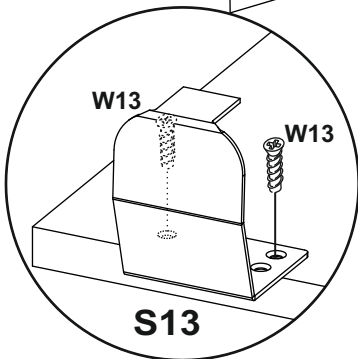
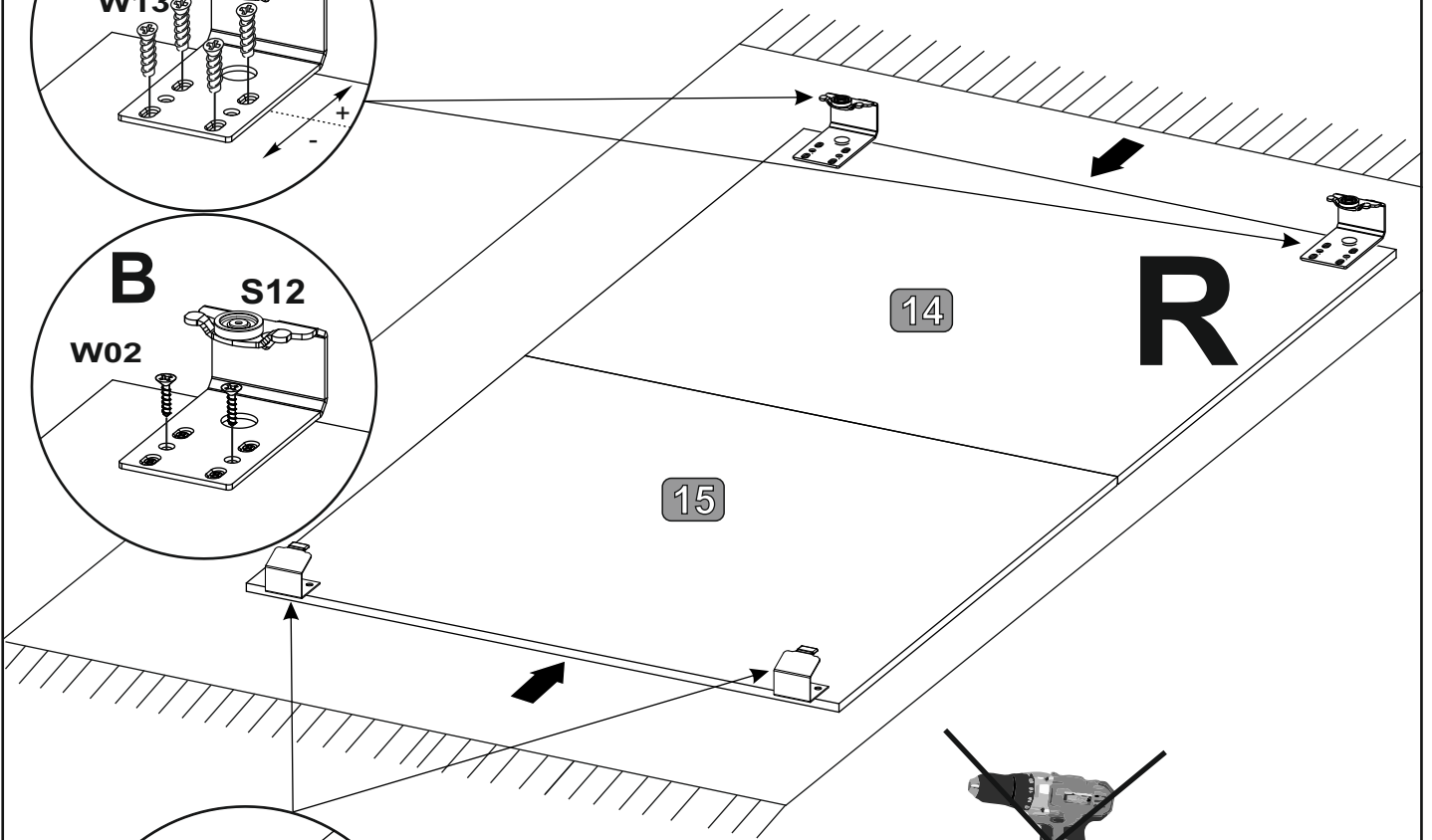
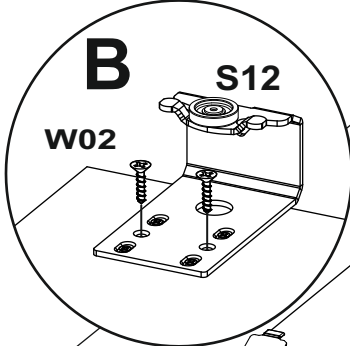
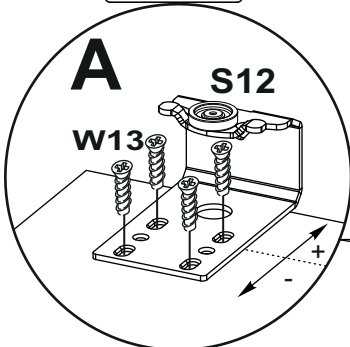
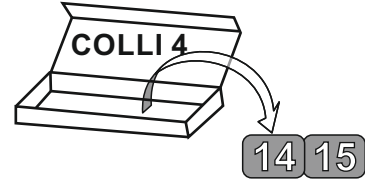
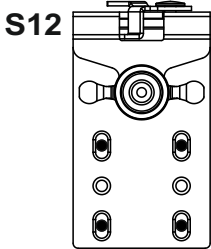


29

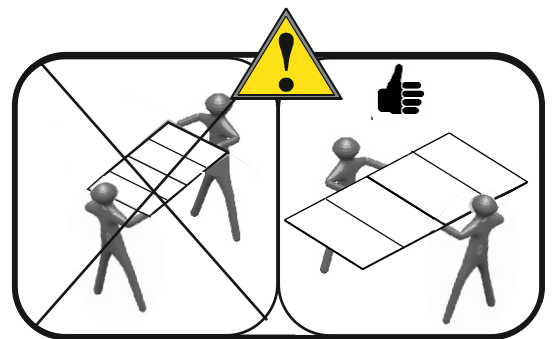
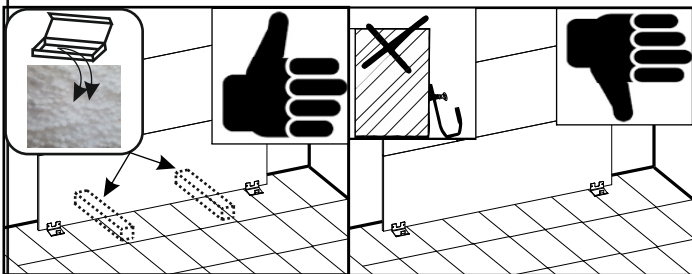
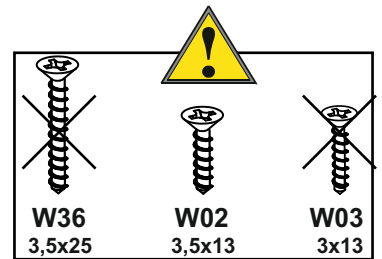
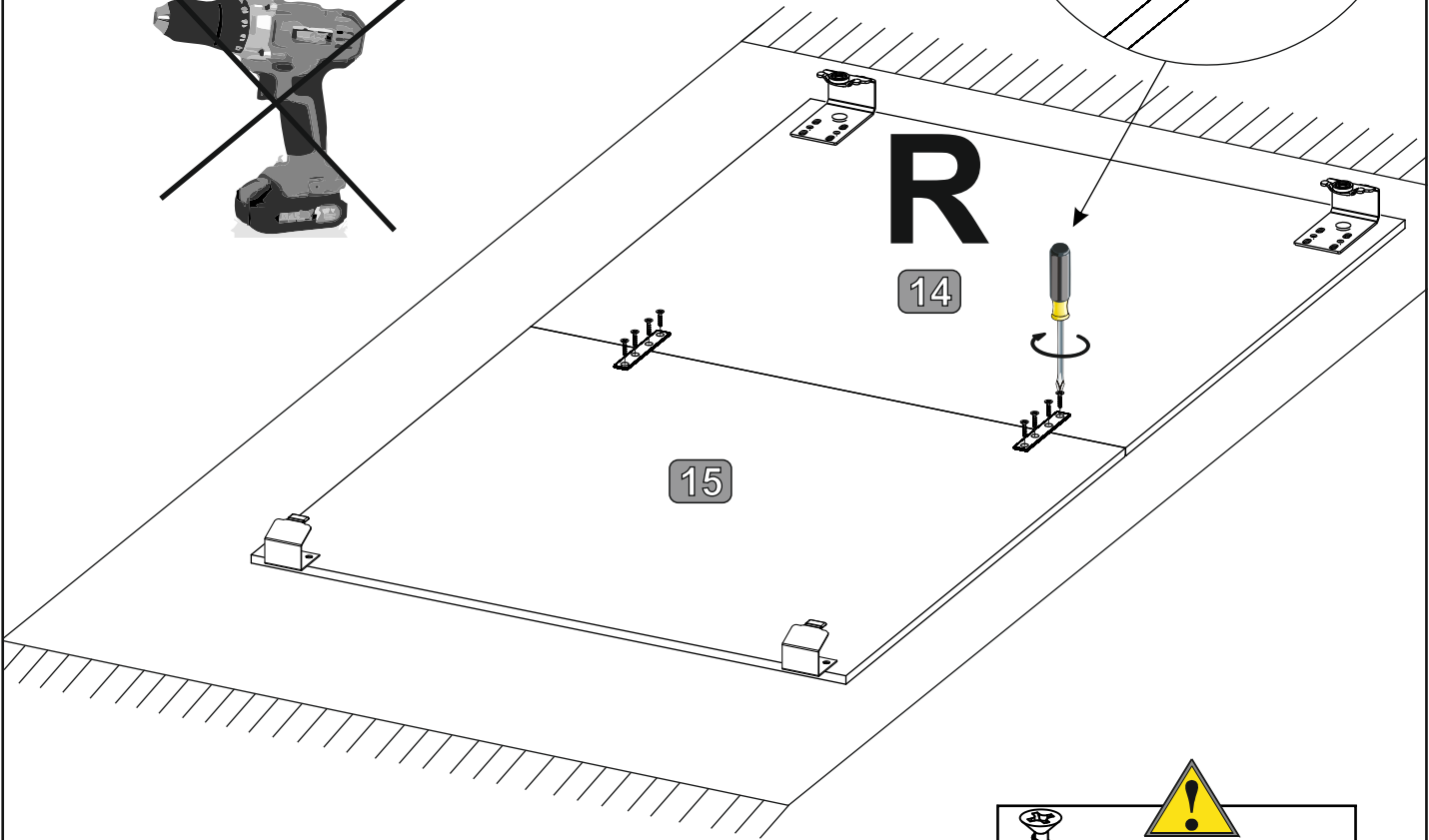
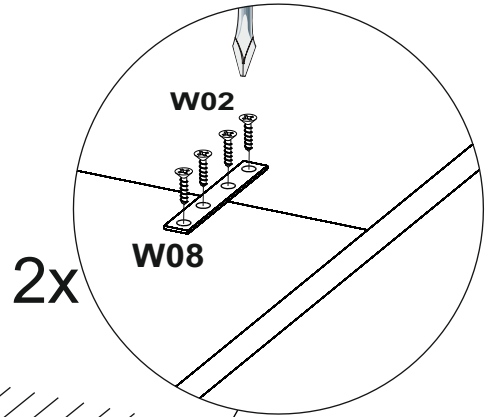
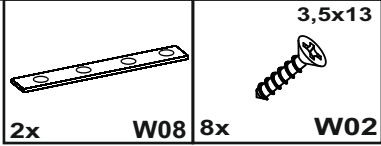


30

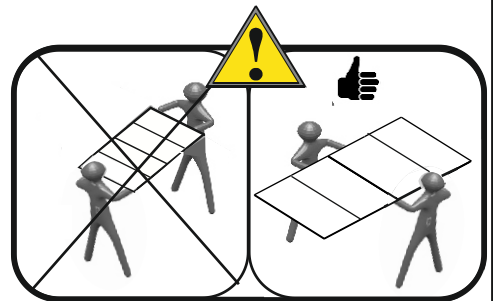
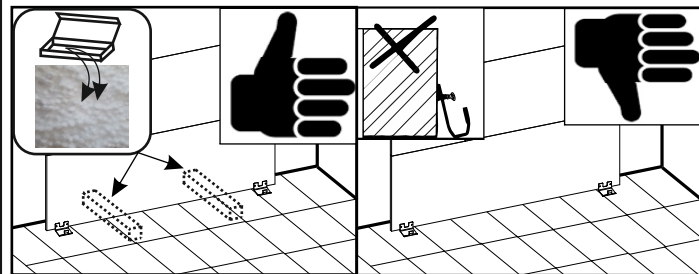
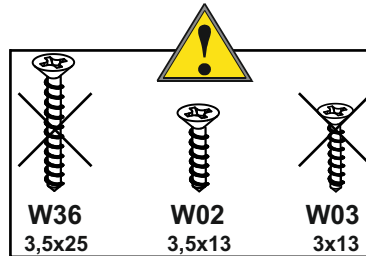
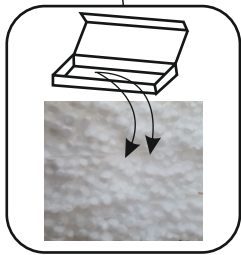
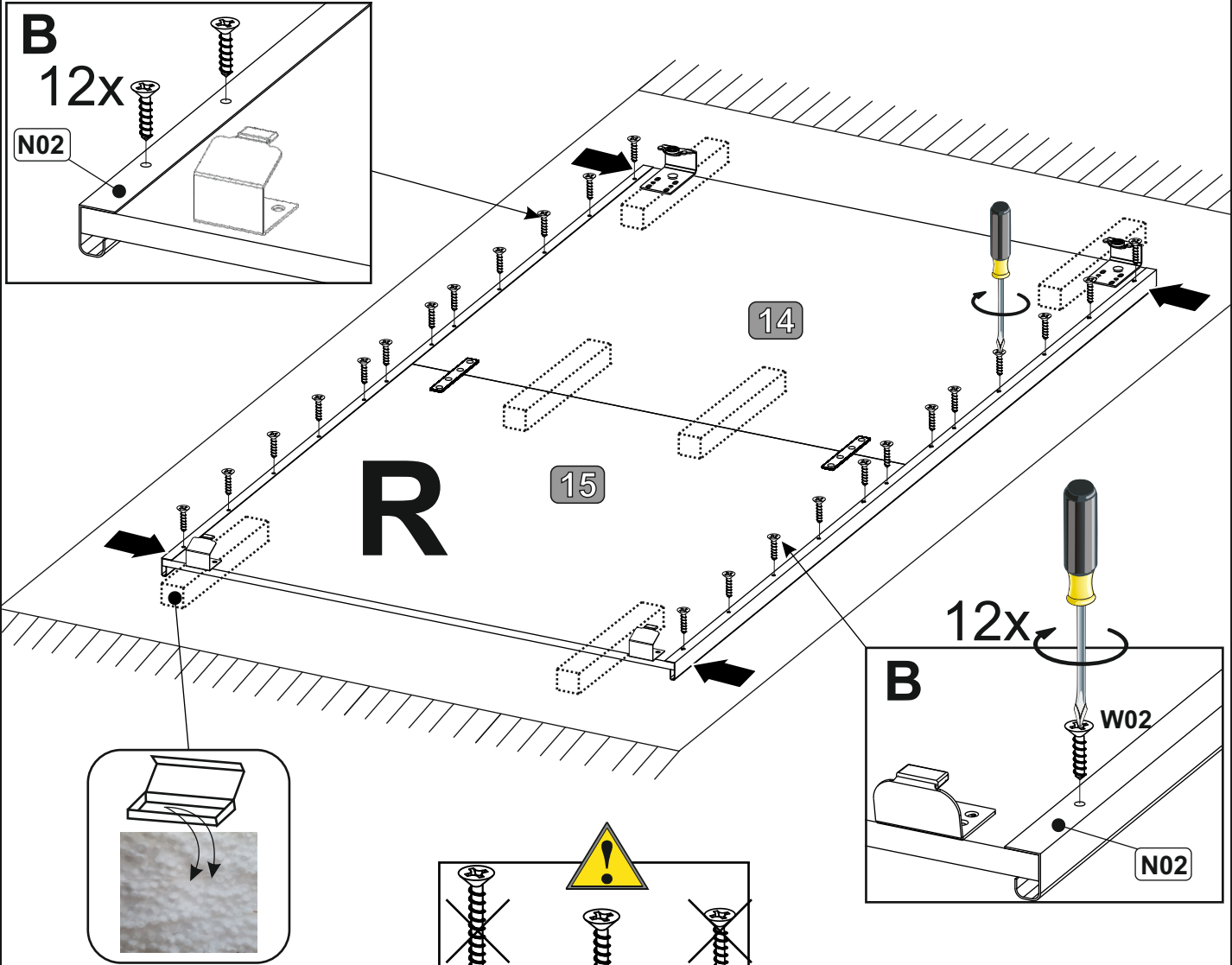
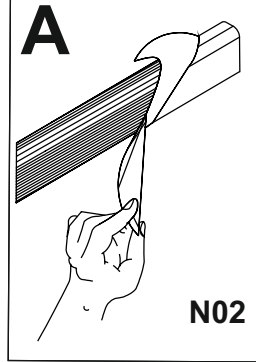
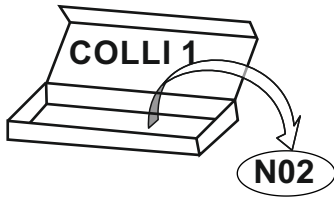
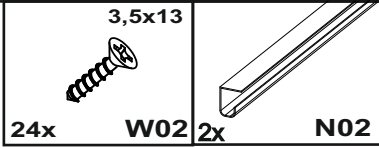
3,5x13				4x13			
4x	W02	2x	S12	2x	S13	12x	W13



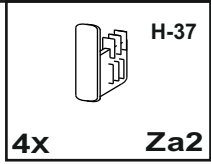
31



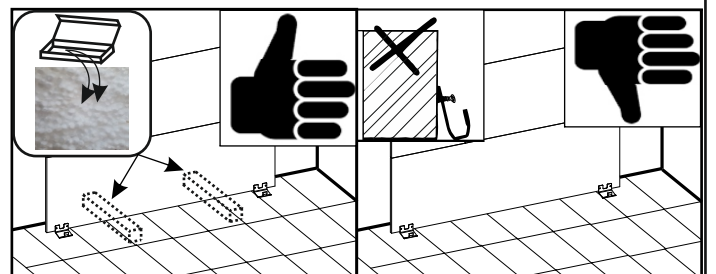
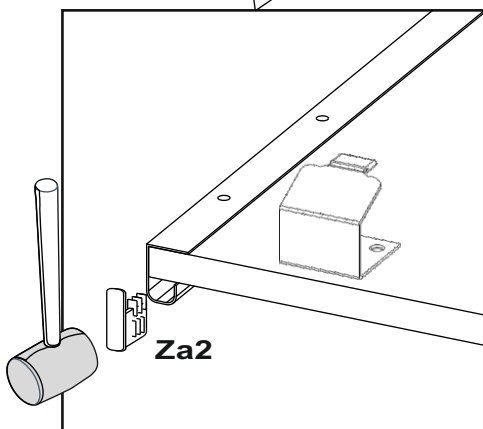
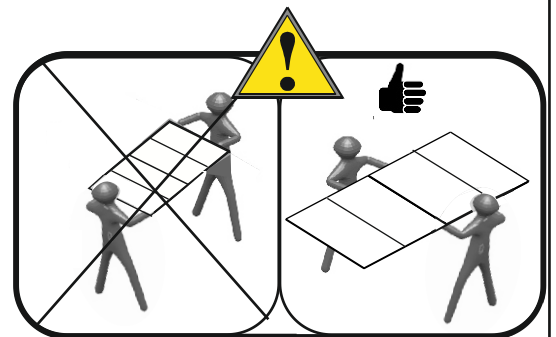
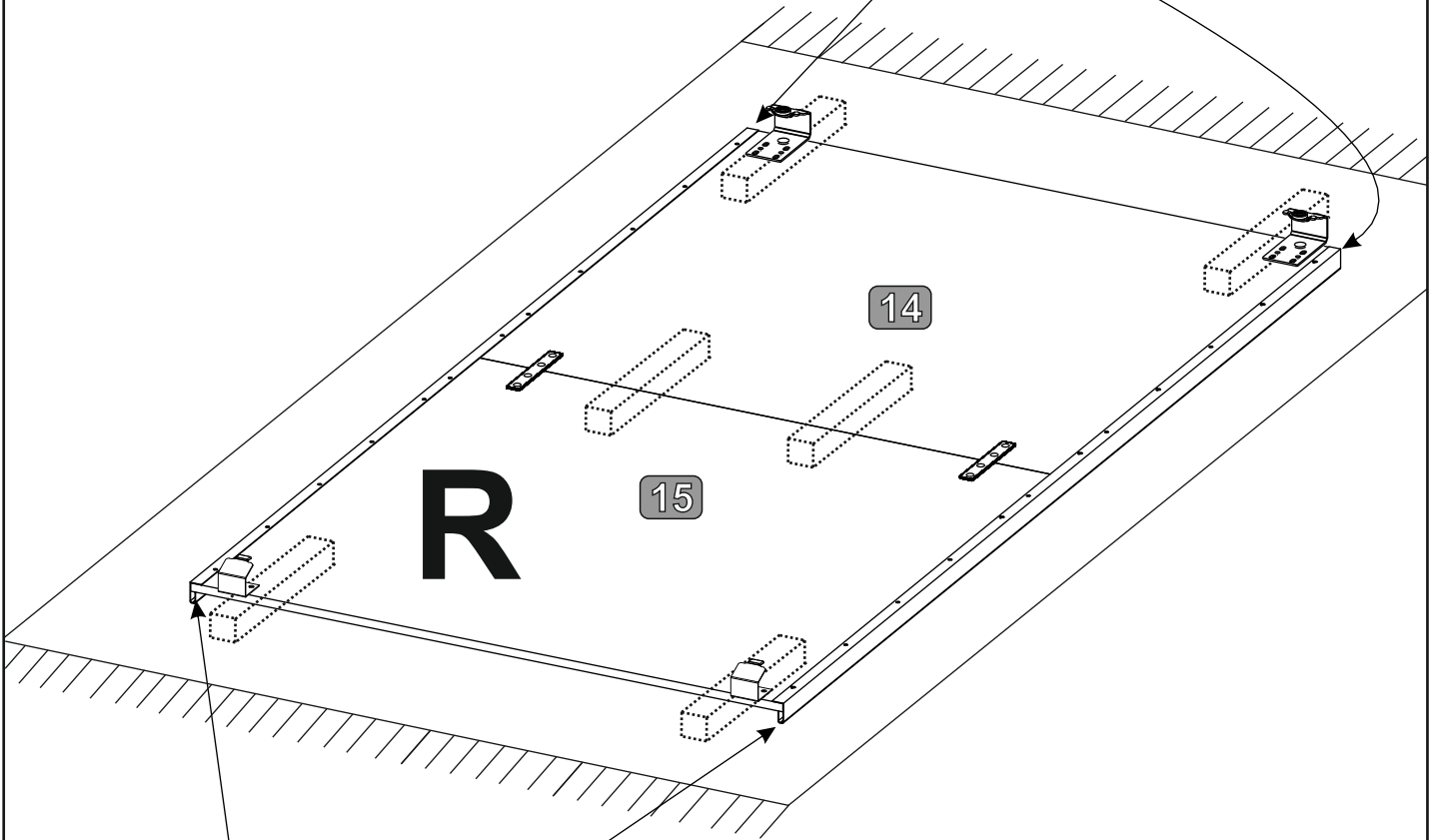
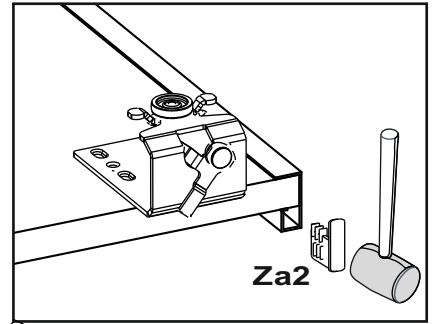
32



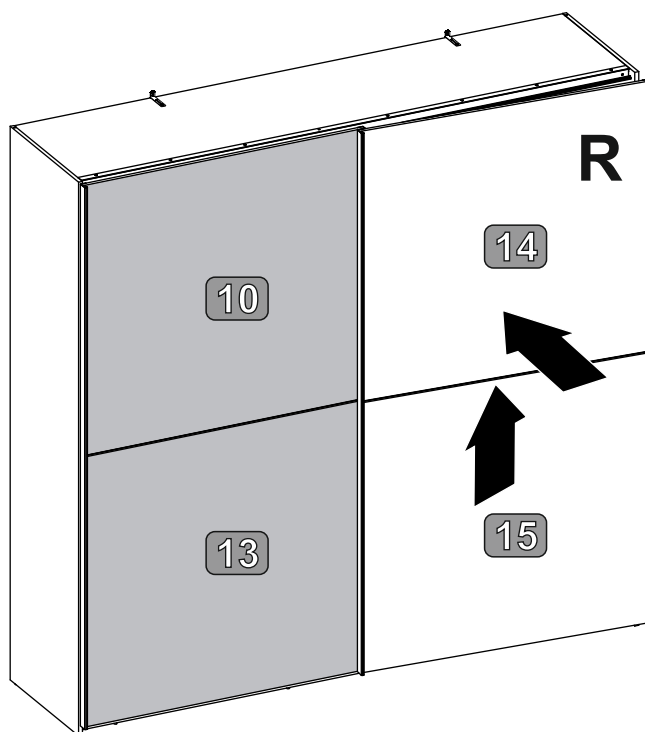
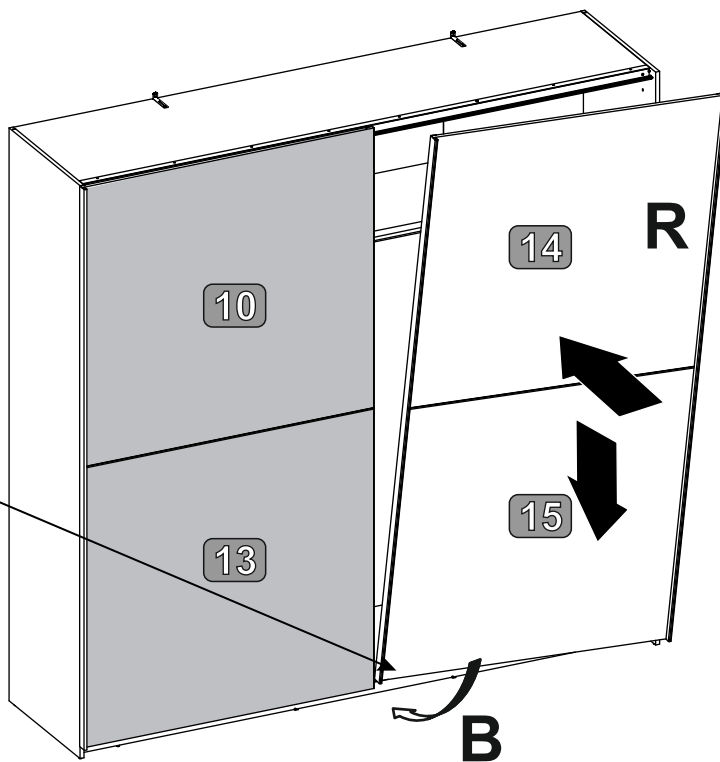
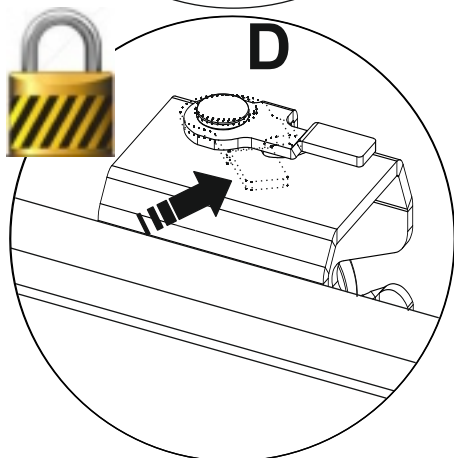
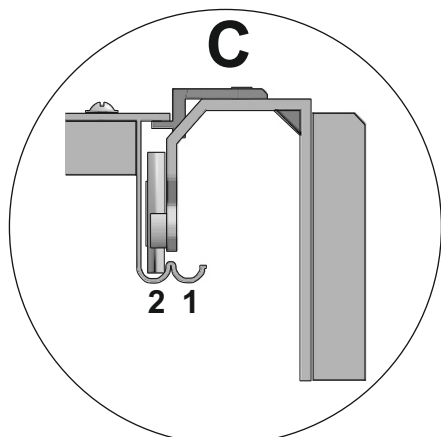
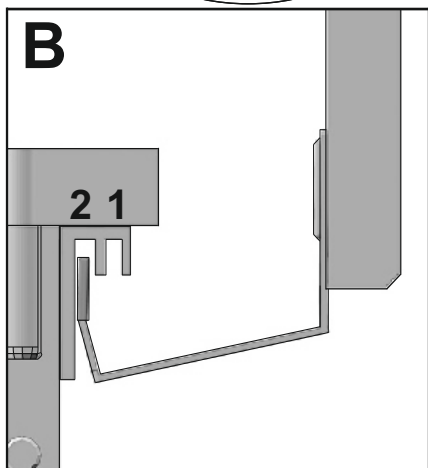
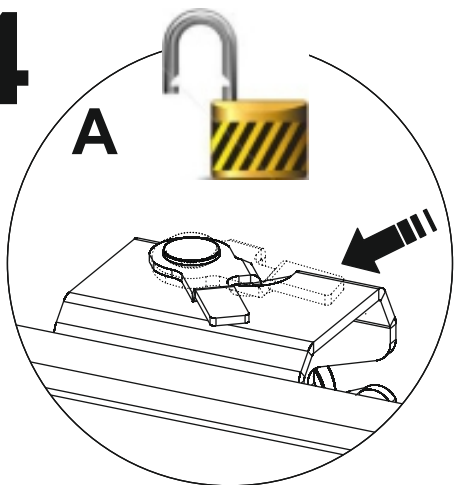
33



Za2



34



35

