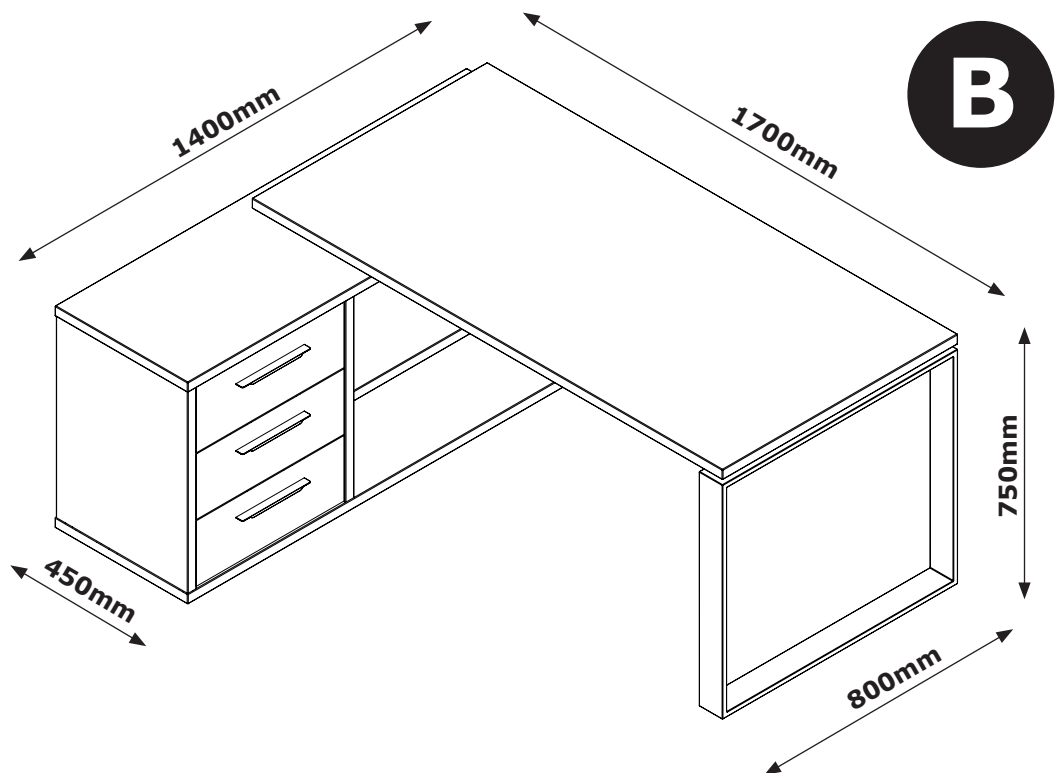
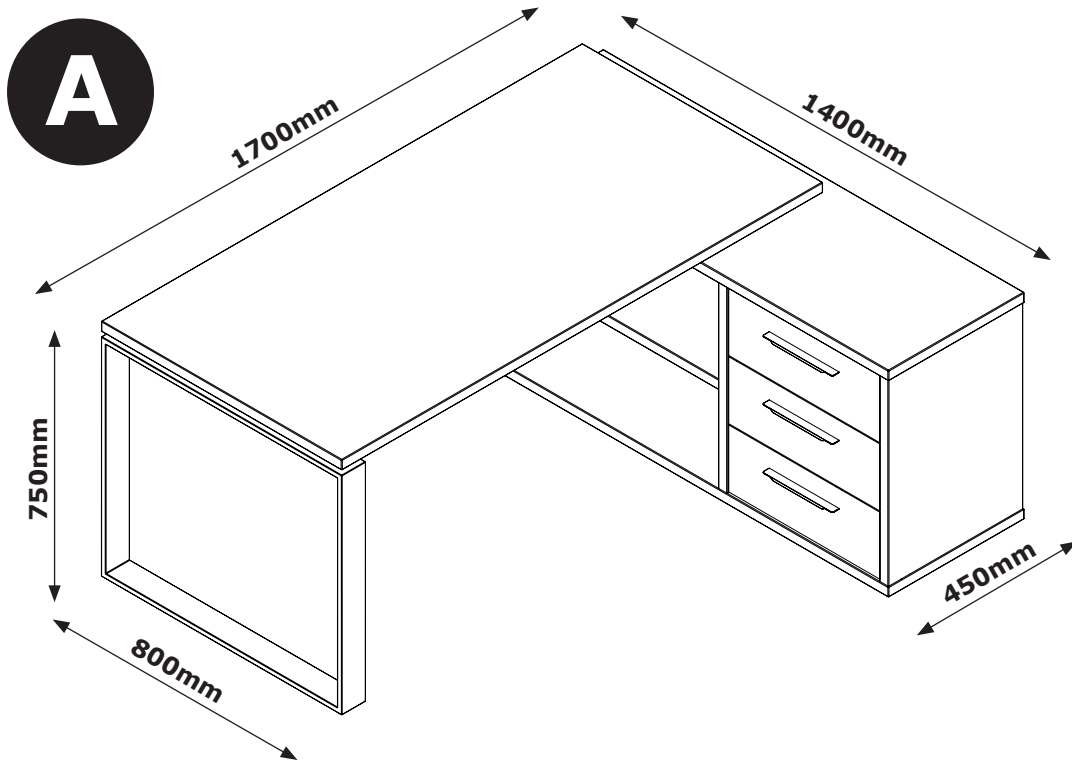
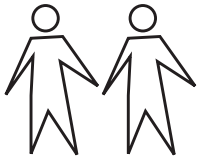


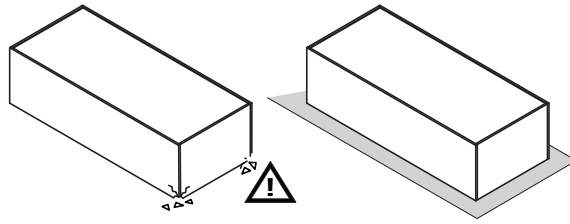
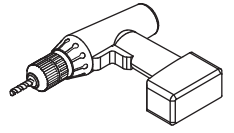
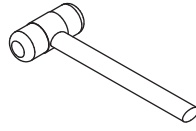
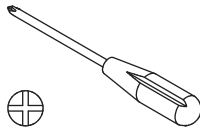
# SR0768K30404



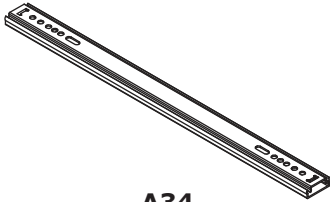
QF4661-2



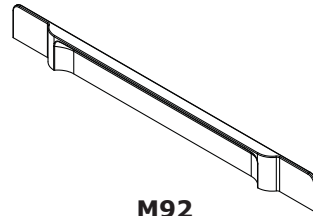
2h



### BU3799



**A34**  
x6

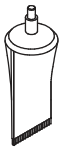


**M92**  
x3

### BU3798



**H54**  
x12



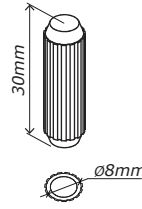
**H14**  
x2



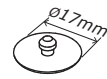
**V5**  
x12



**V32**  
x6



**H1**  
x20



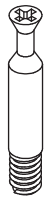
**G57**  
x4



**R40**  
x4



**G136**  
x6



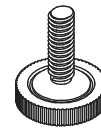
**T28**  
x18



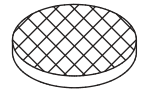
**T97**  
x12



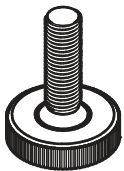
**T98**  
x6



**P34**  
x2



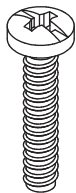
**H139**  
x2



**P14**  
x6



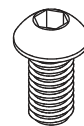
**H118**  
x6



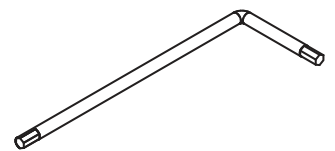
**V118**  
x4



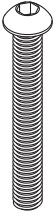
**V38**  
x6



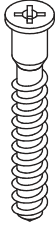
**V143**  
x2



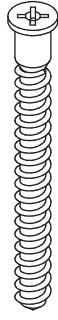
**H138**  
x1



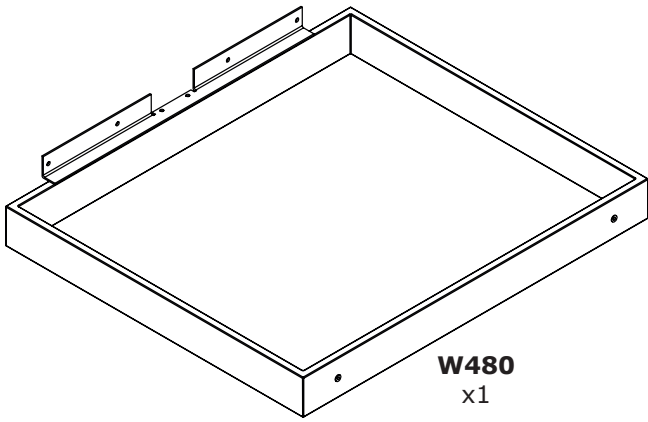
**V153**  
x2



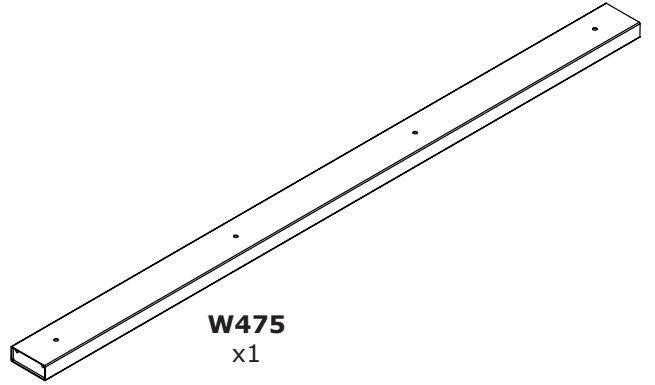
**V45**  
x4



**V115**  
x4

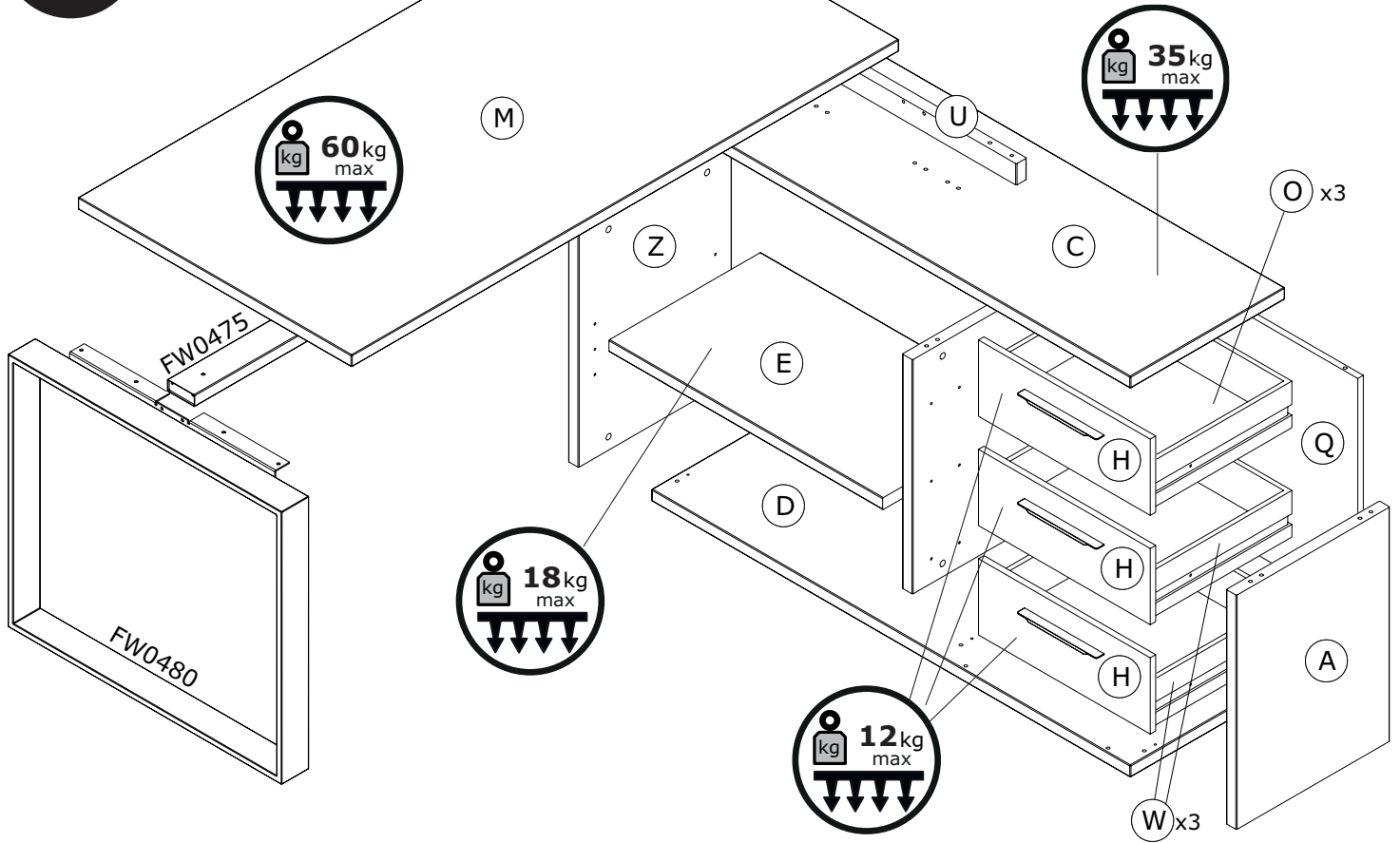


**W480**  
x1

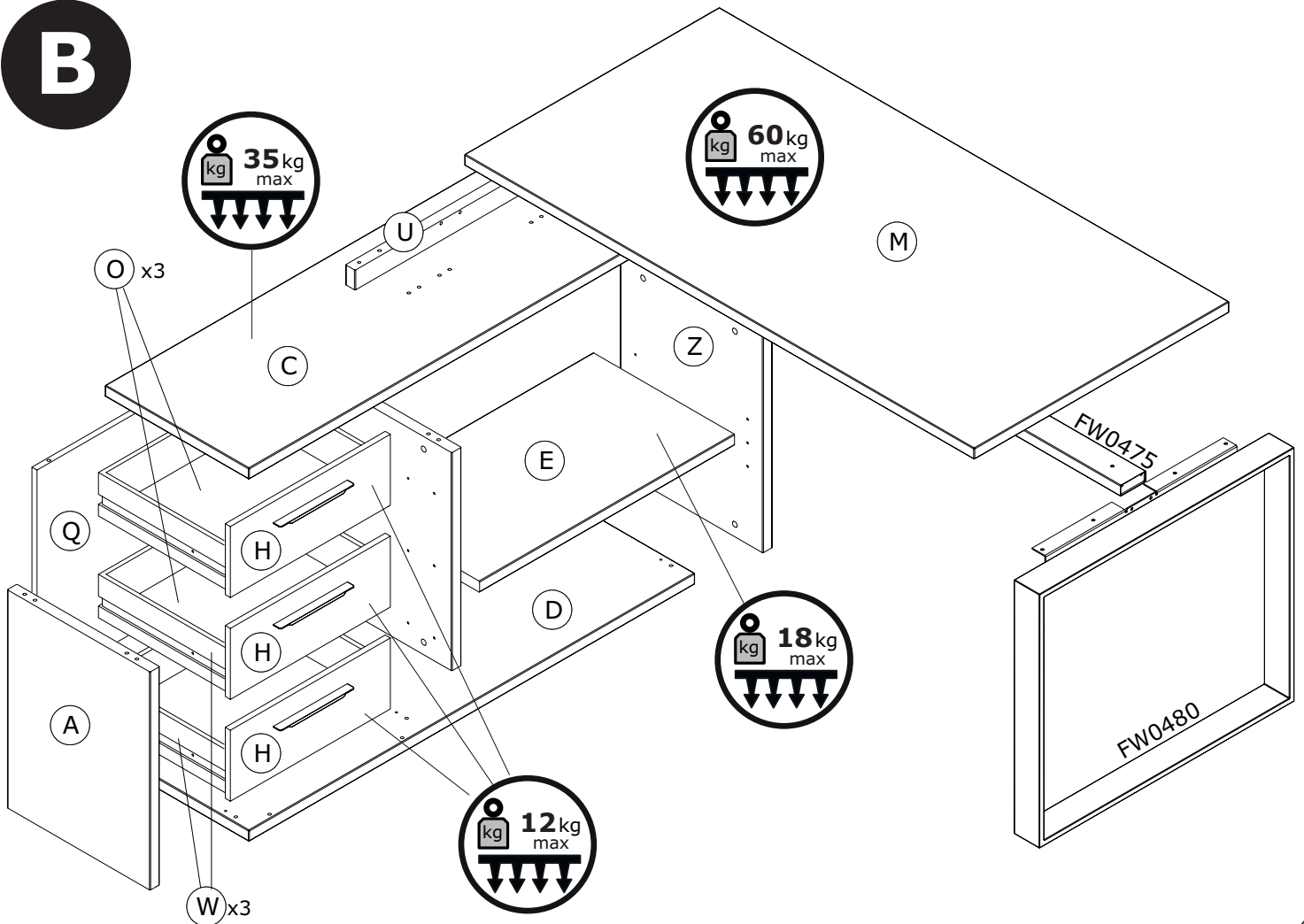


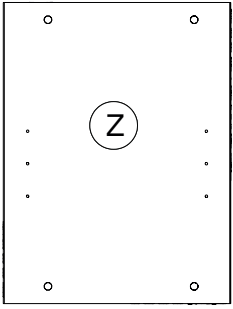
**W475**  
x1

# A

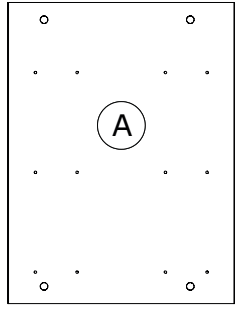


# B

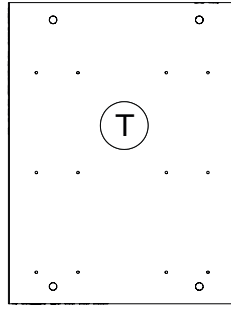




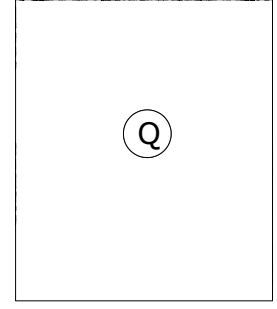
**F18071**  
593x448x30mm



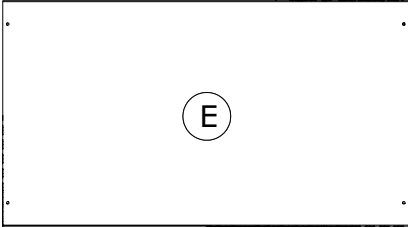
**F18069**  
593x448x30mm



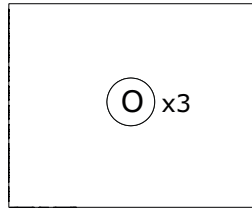
**TR2062**  
593x448x30mm



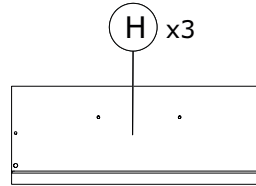
**SH3093**  
593x506x16mm



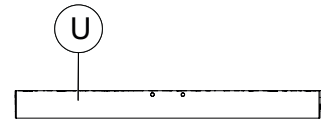
**PI6889**  
800x444x30mm



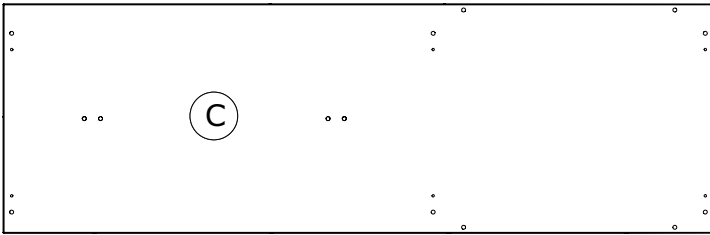
**SH3658**  
485x401x2mm



**CS2817**  
502x193x16mm



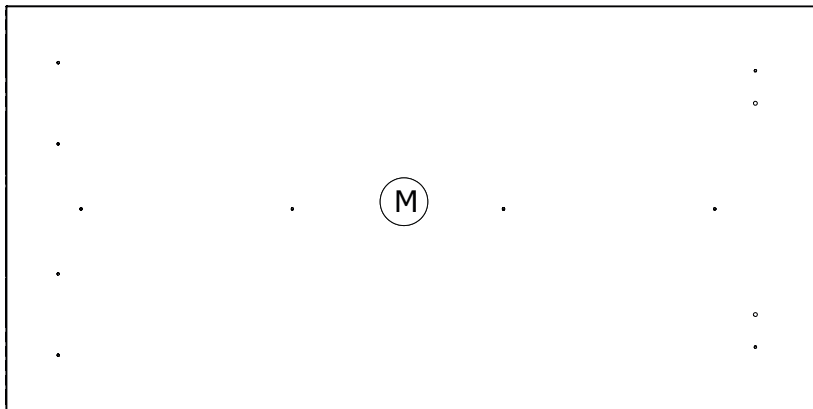
**FS3041**  
54x600x30mm



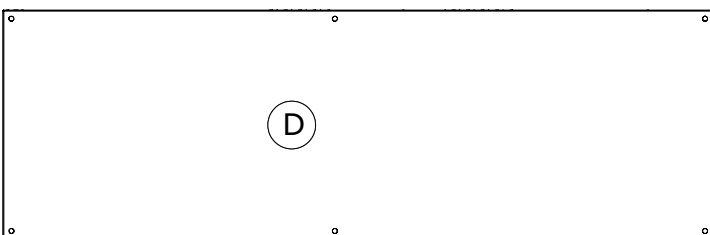
**CA3327**  
1400x452x30mm



**OF0686**  
400x498x400mm H.118mm

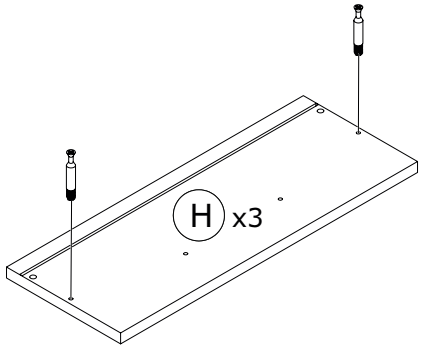
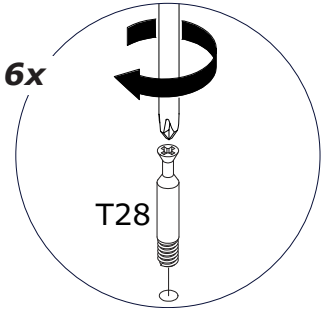
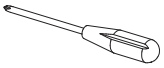


**CA3325**  
1600x800x30mm

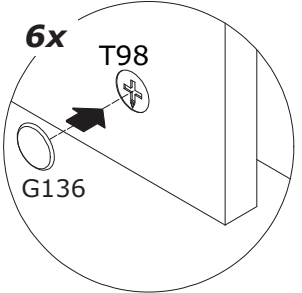
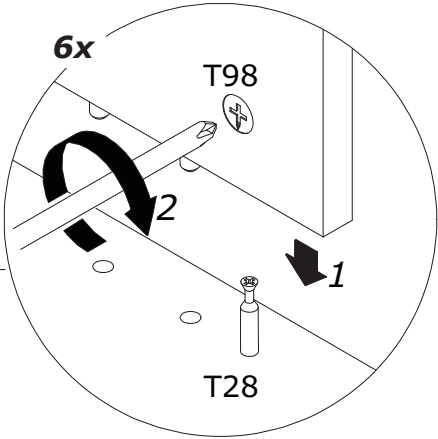
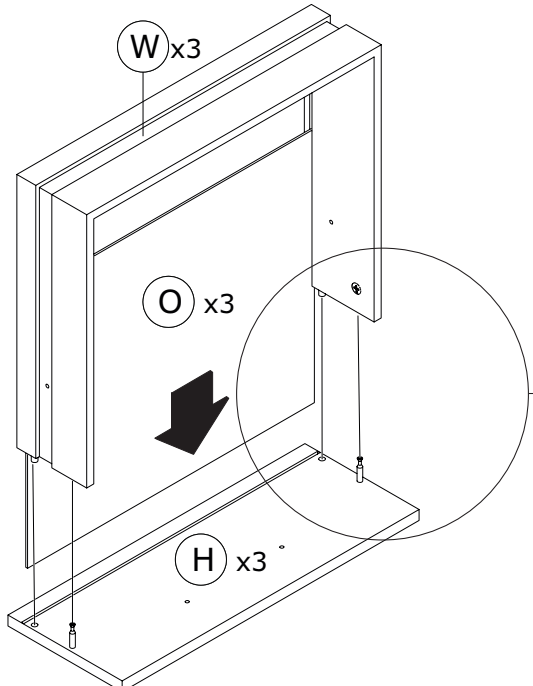
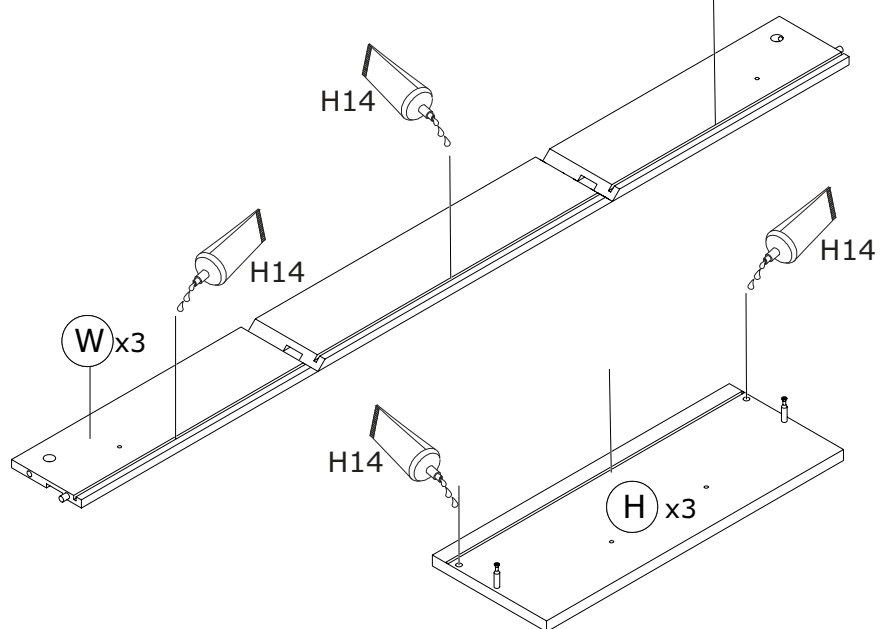
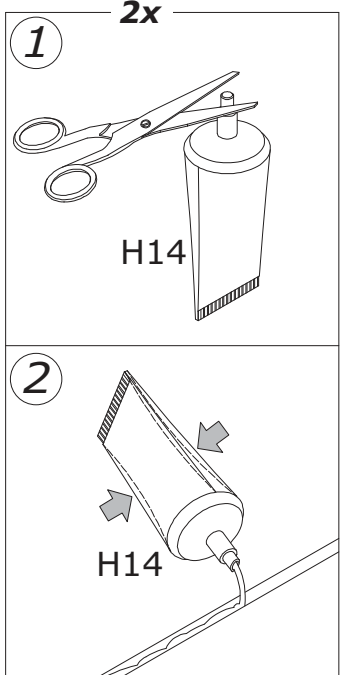
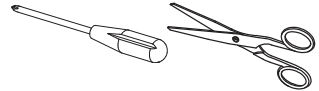


**BA2040**  
1400x452x30mm

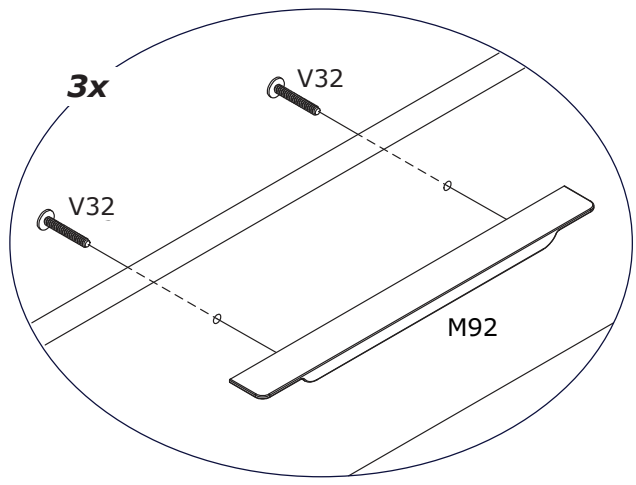
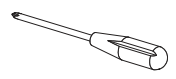
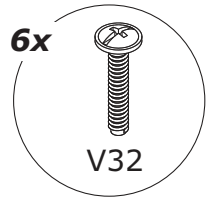
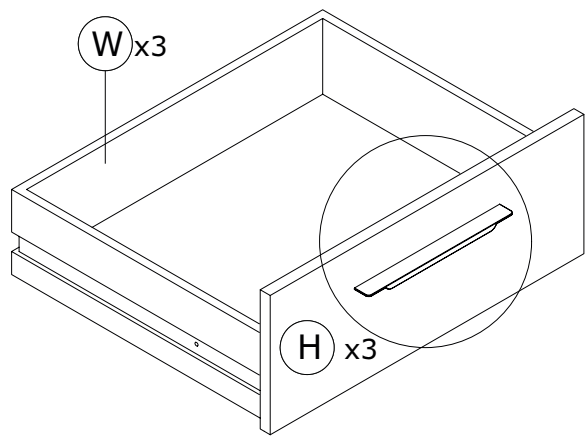
1



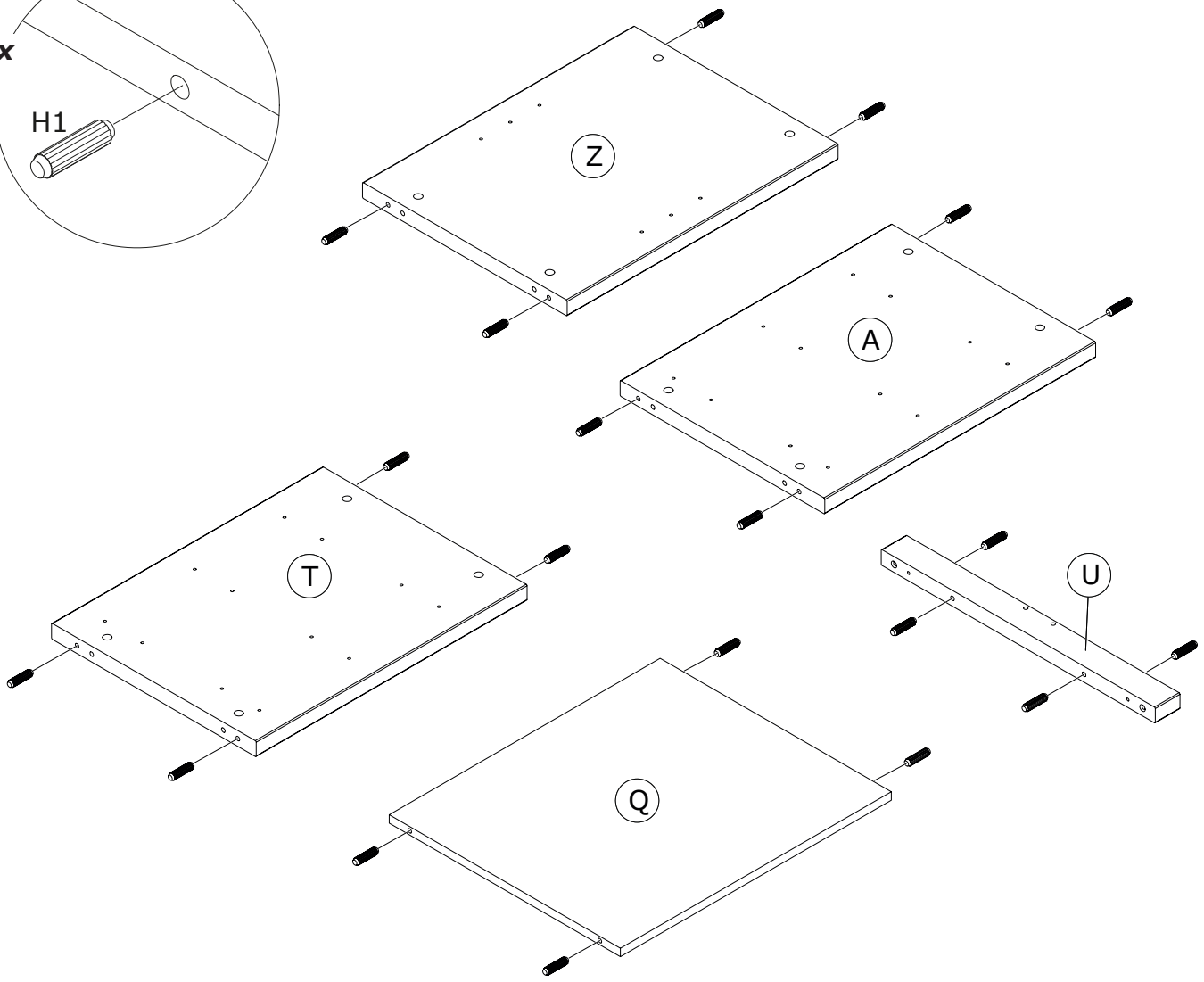
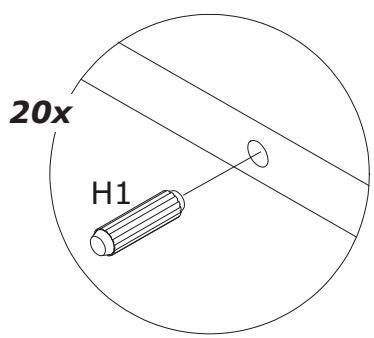
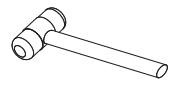
2



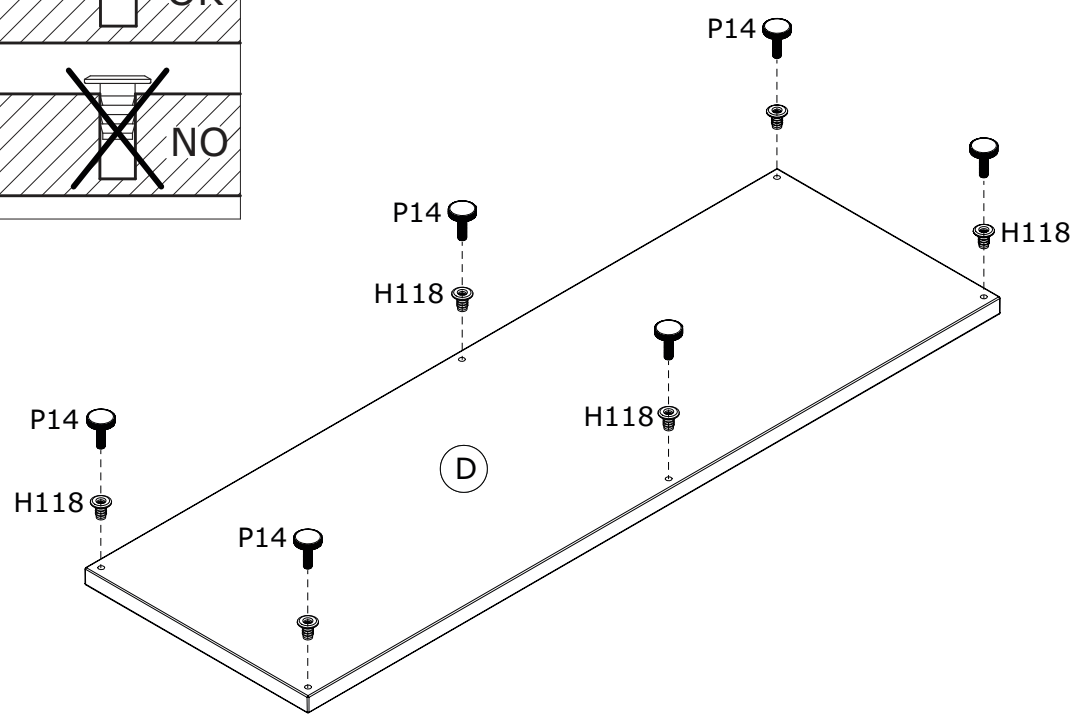
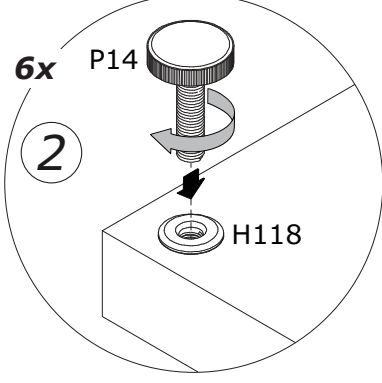
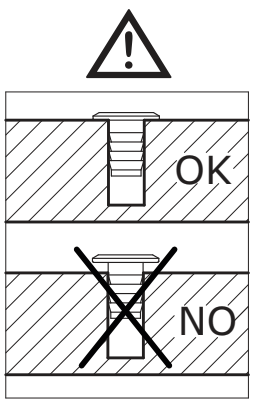
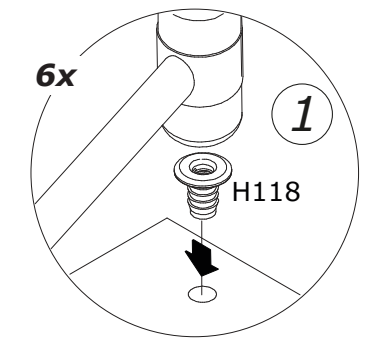
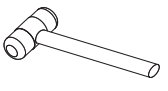
3



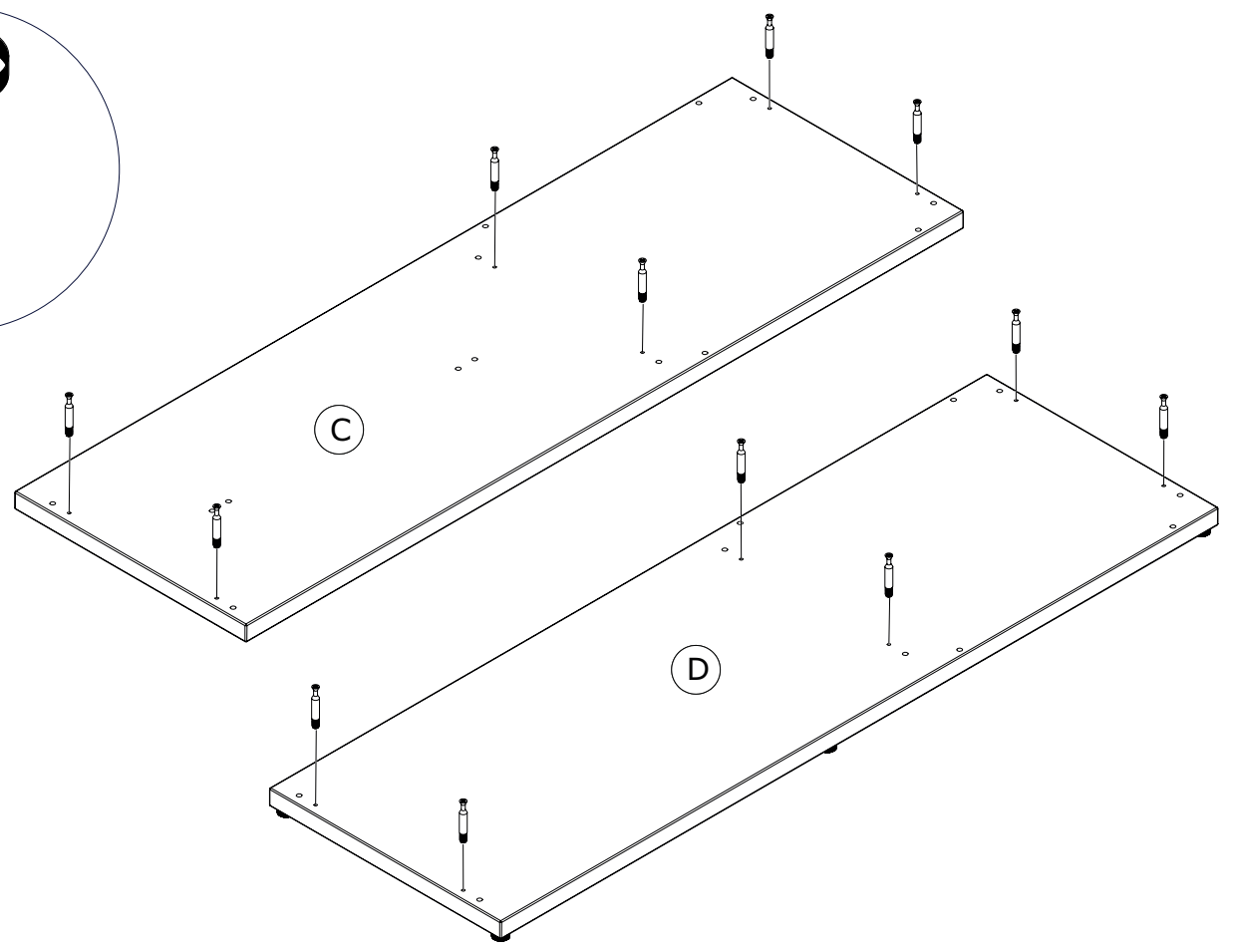
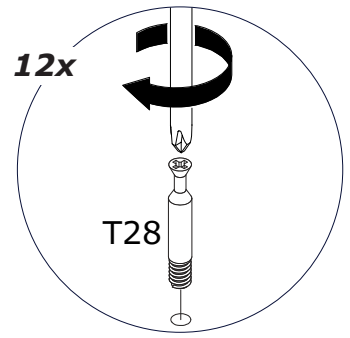
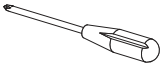
4



5

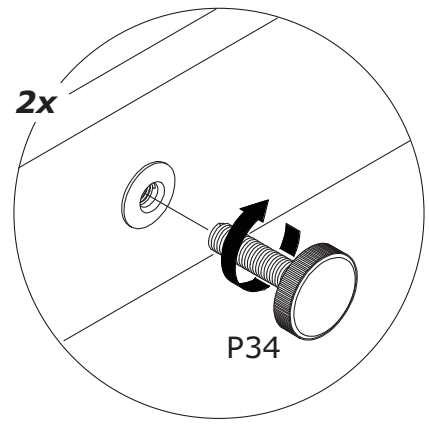
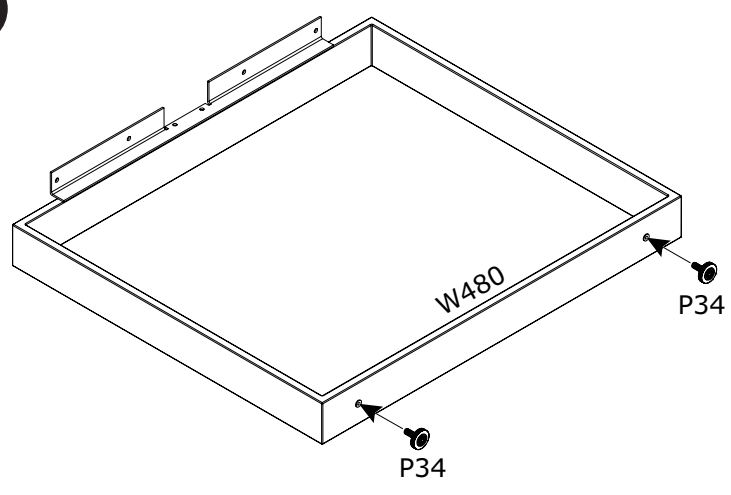


6

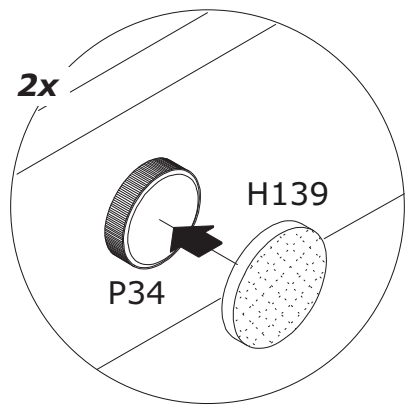
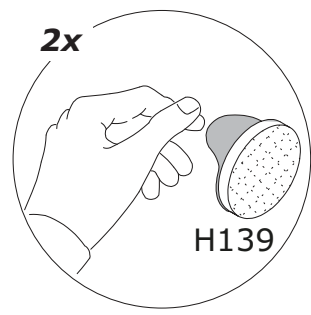
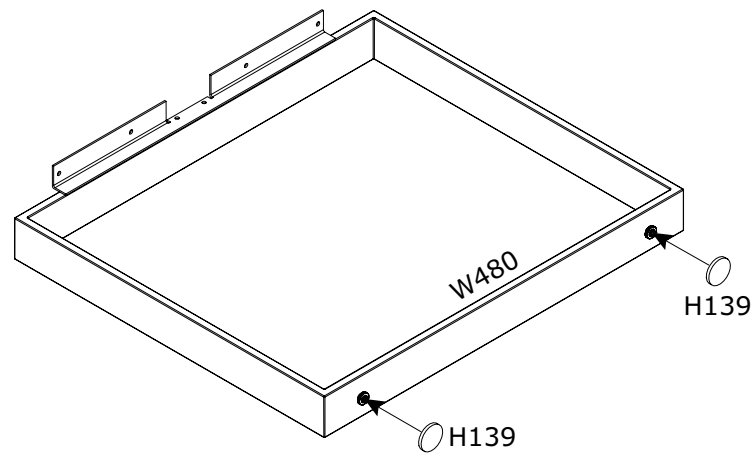




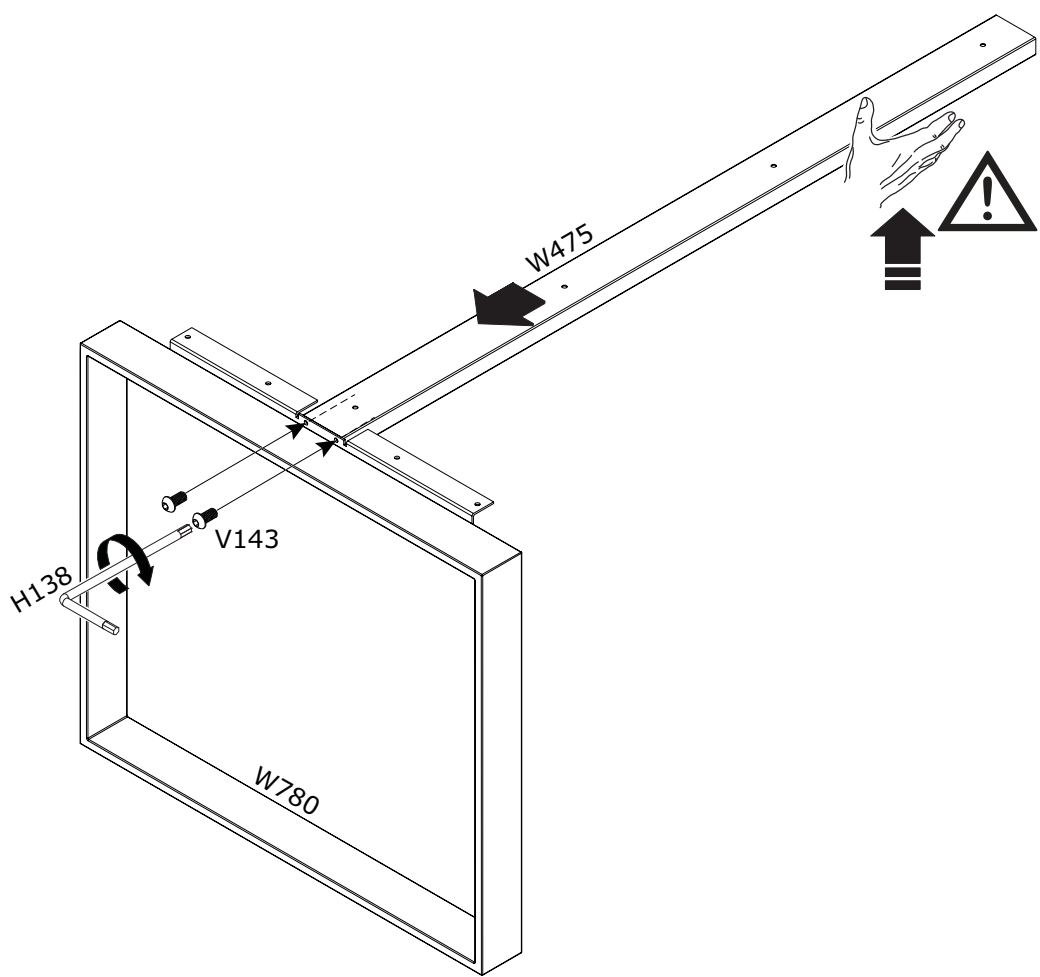
7



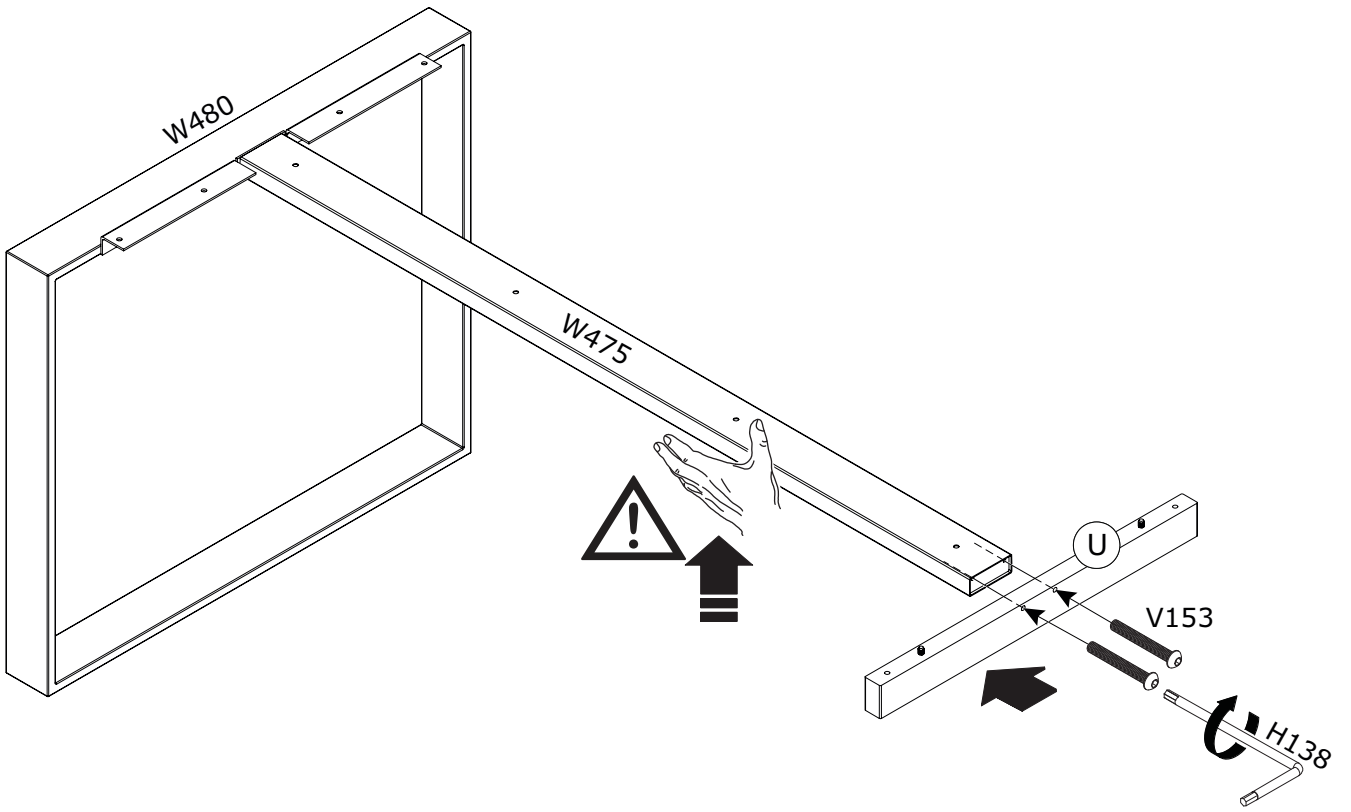
8



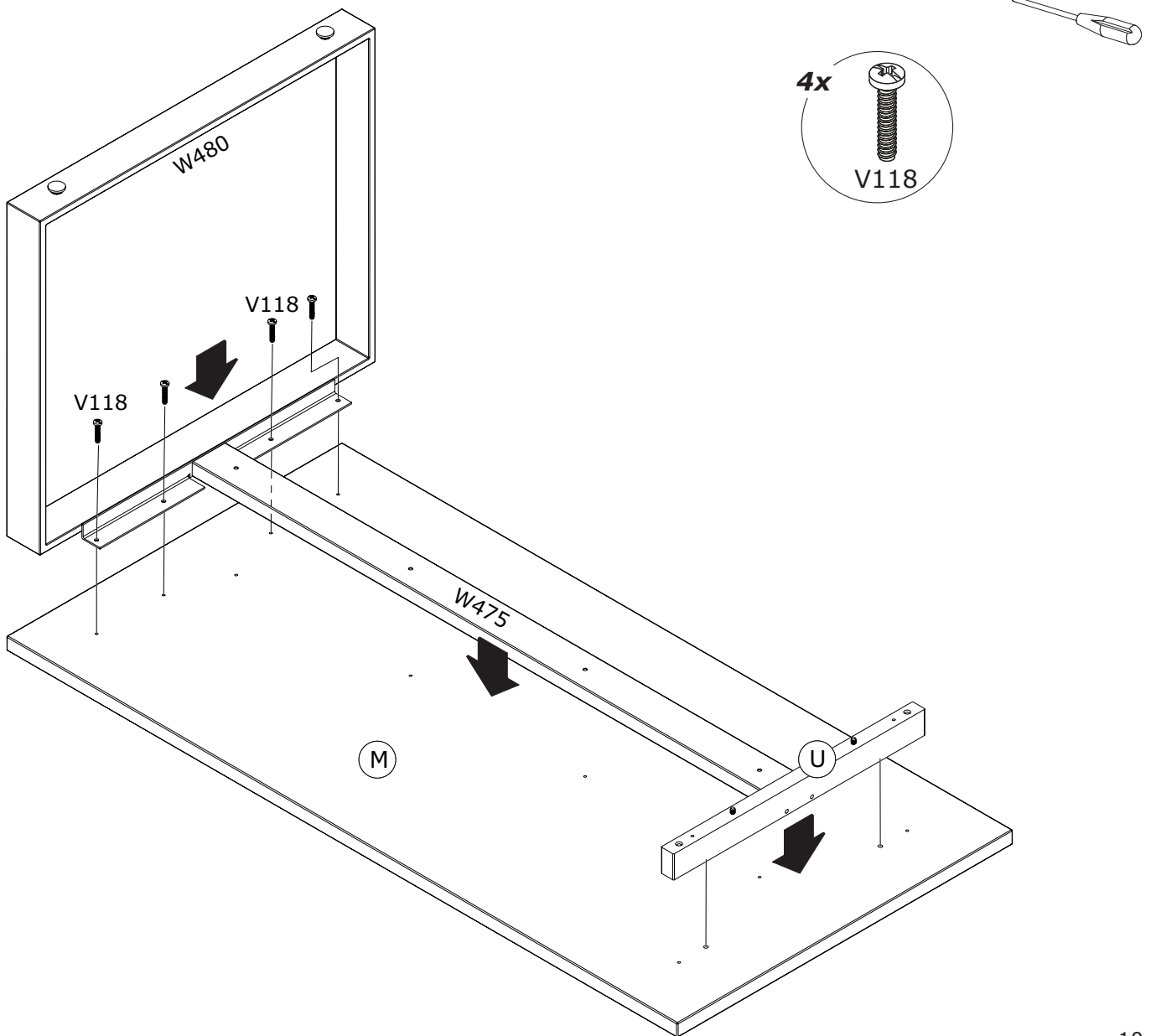
9



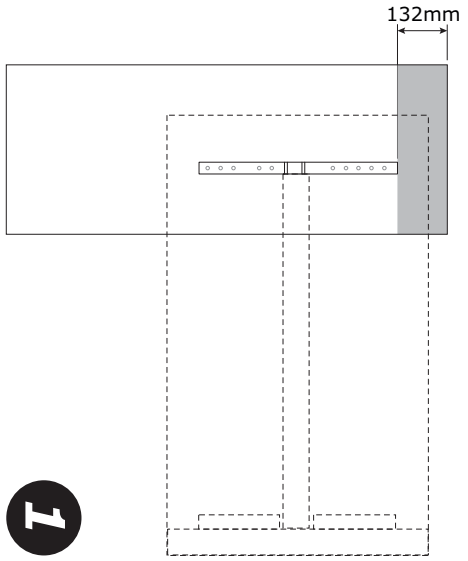
10



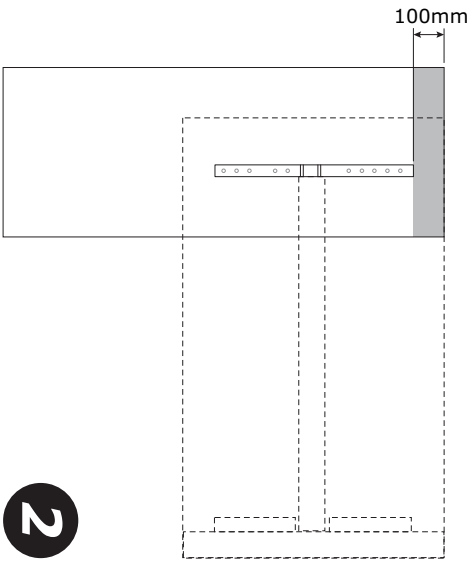
11



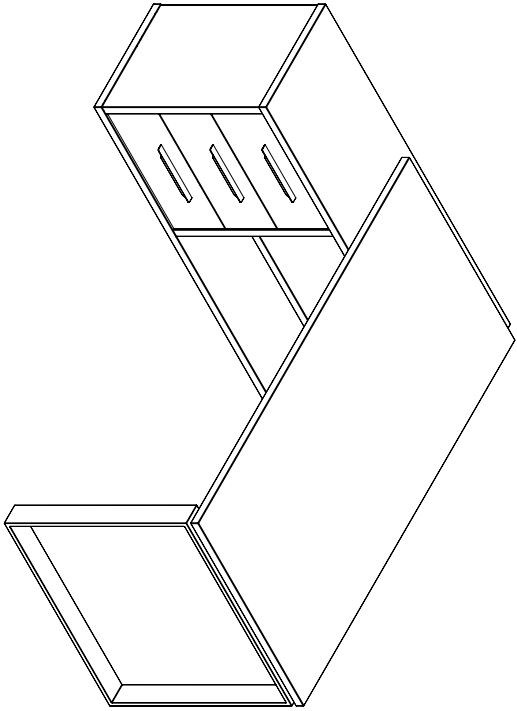




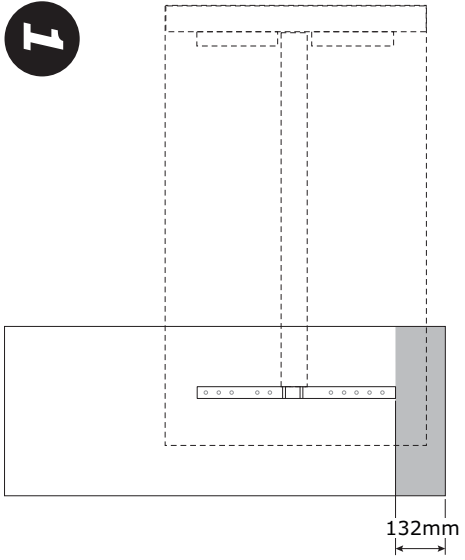
1



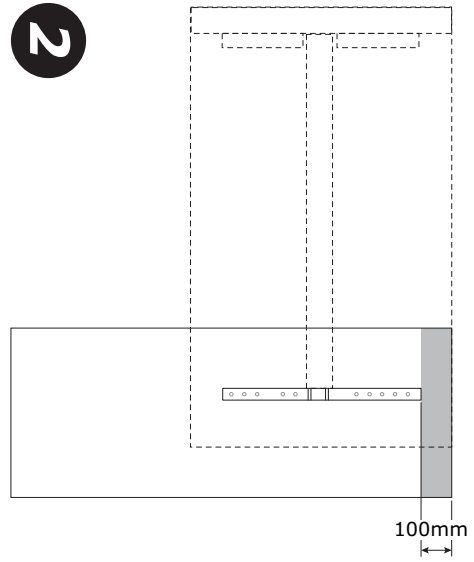
2



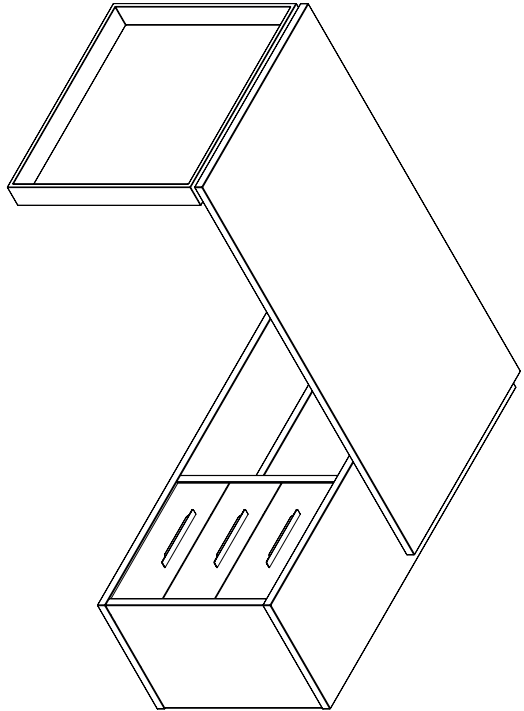
B



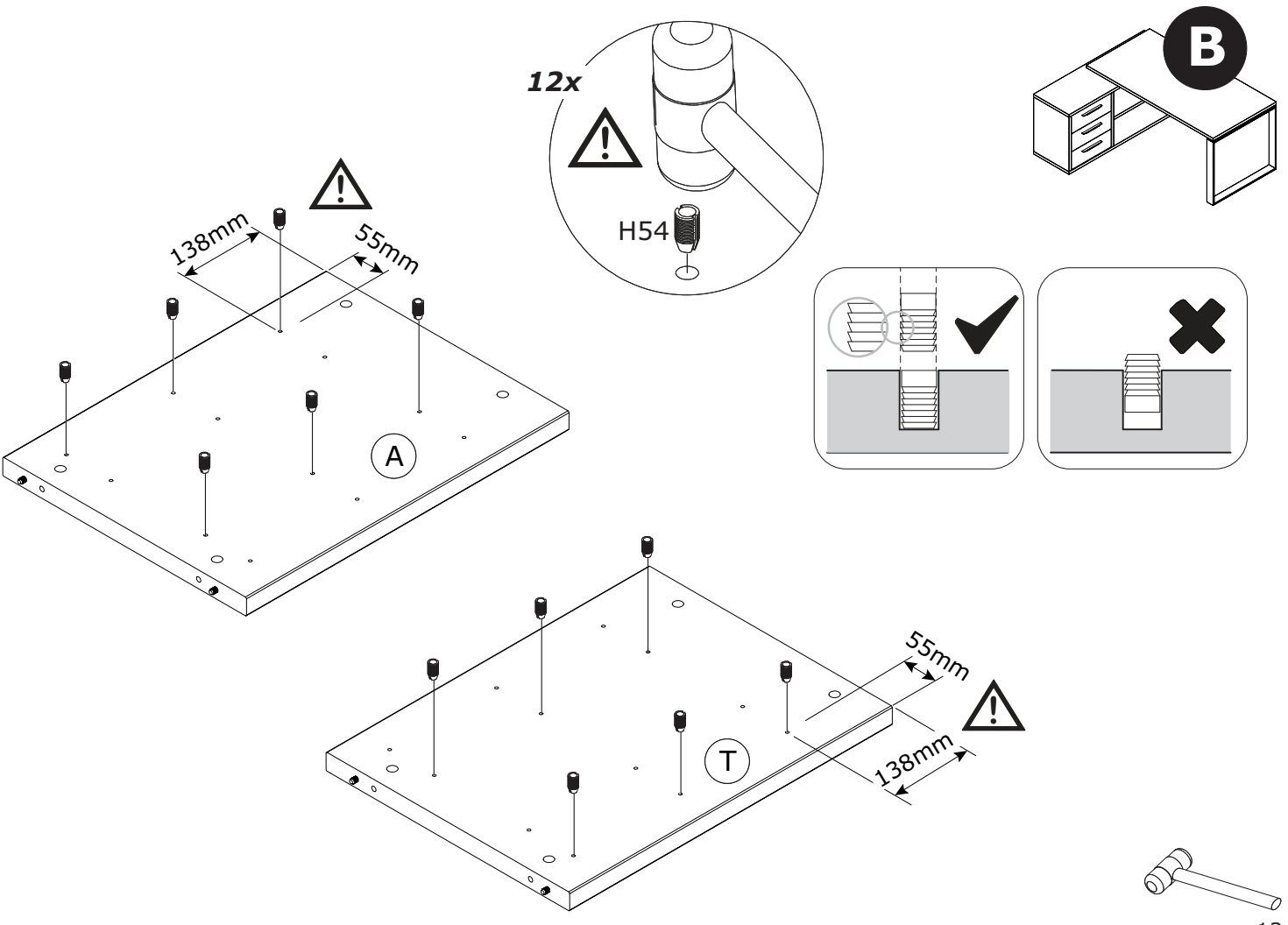
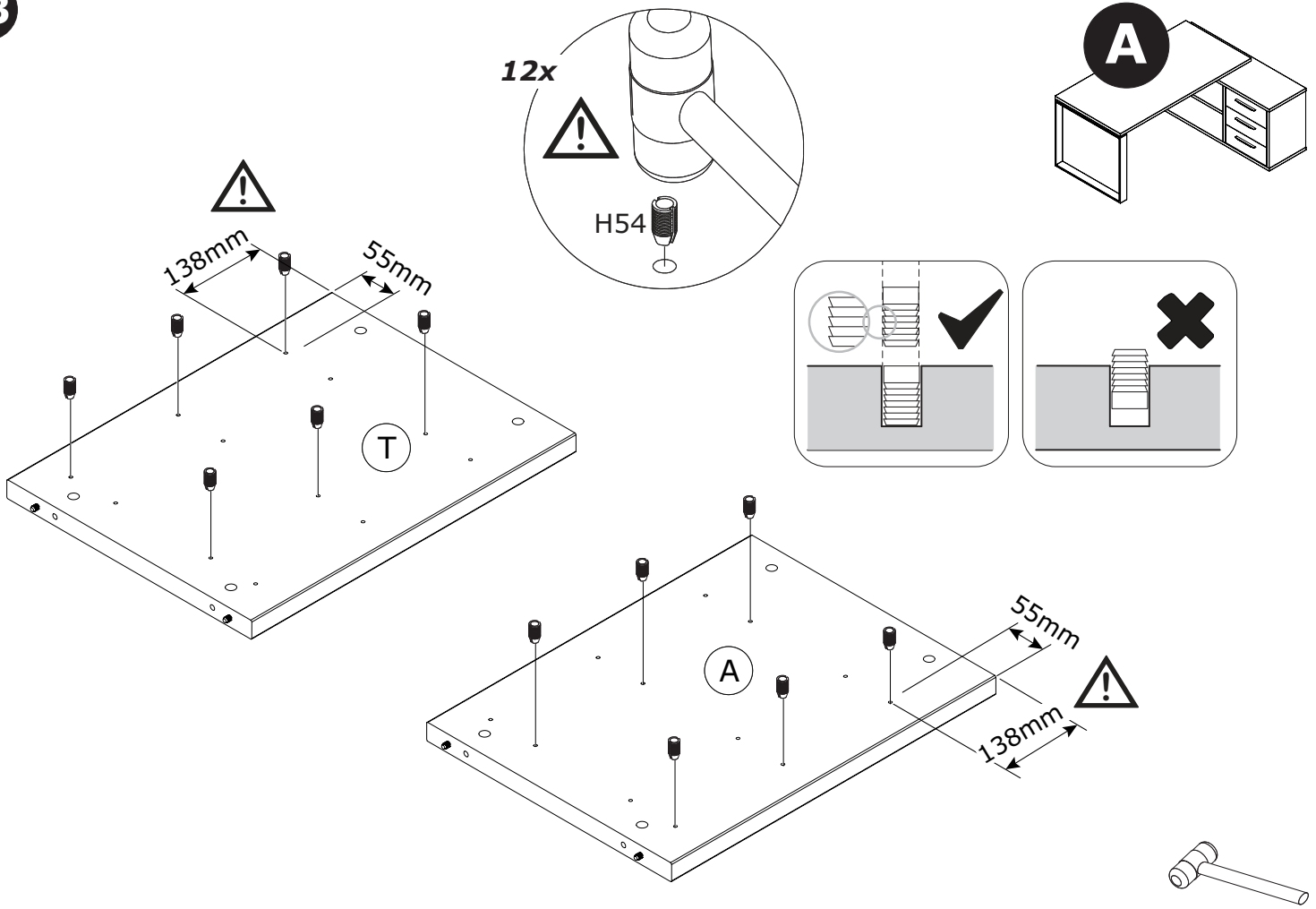
1



2

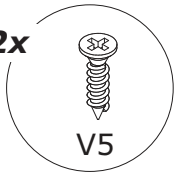


A



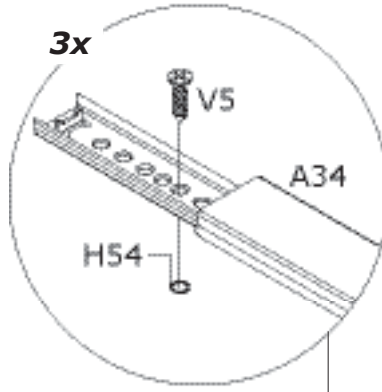
14

12x



V5

3x

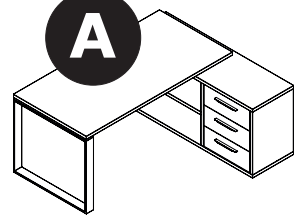


V5

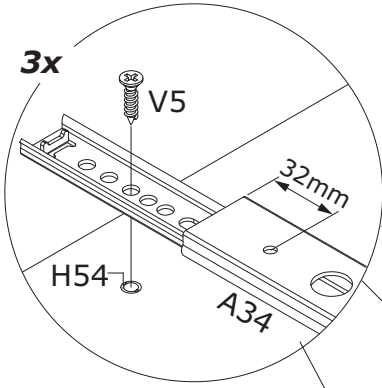
A34

H54

A



3x



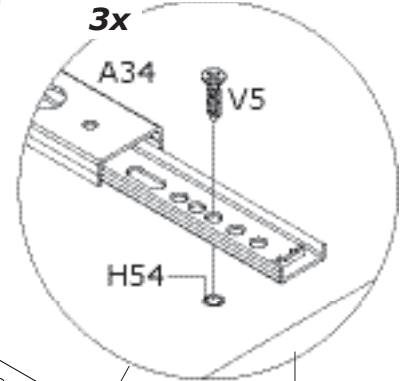
V5

32mm

A34

H54

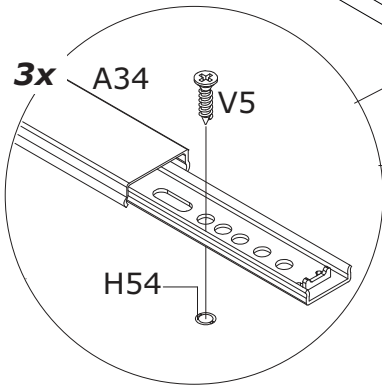
3x



A34

H54

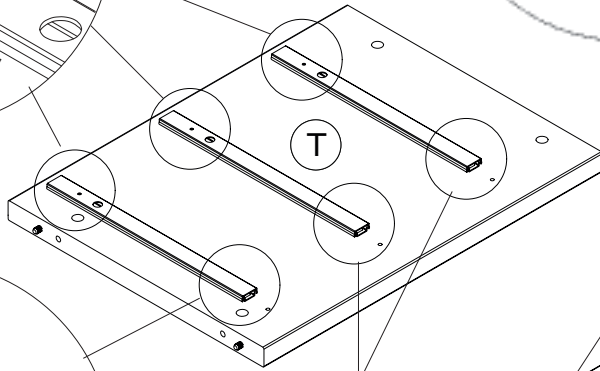
3x



A34

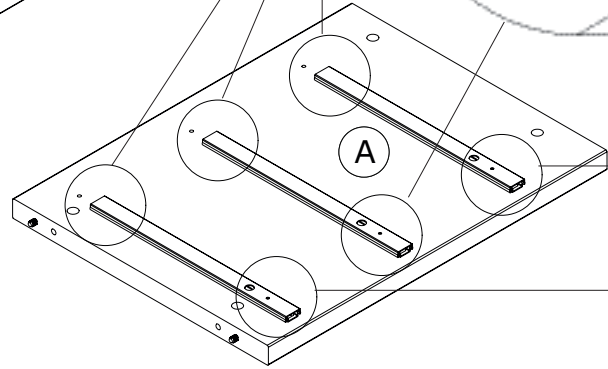
V5

H54

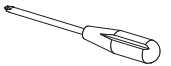


T

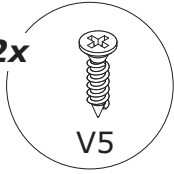
A



A

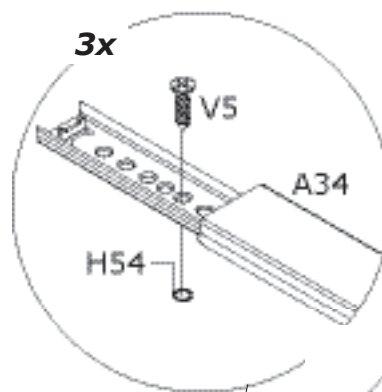


12x



V5

3x

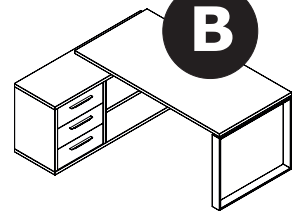


V5

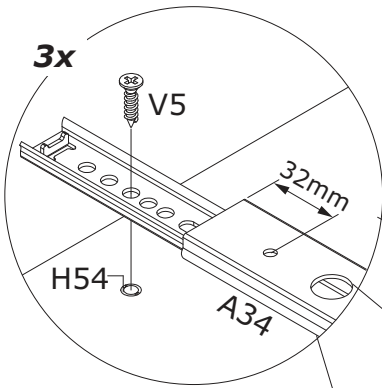
A34

H54

B



3x



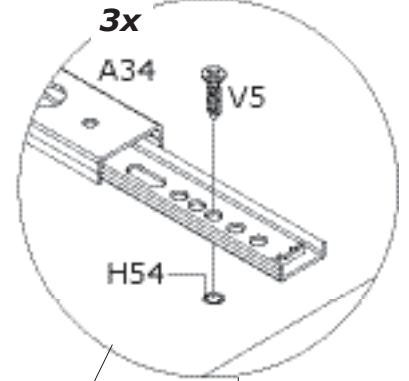
V5

32mm

A34

H54

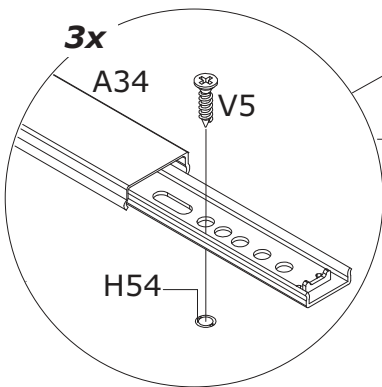
3x



A34

H54

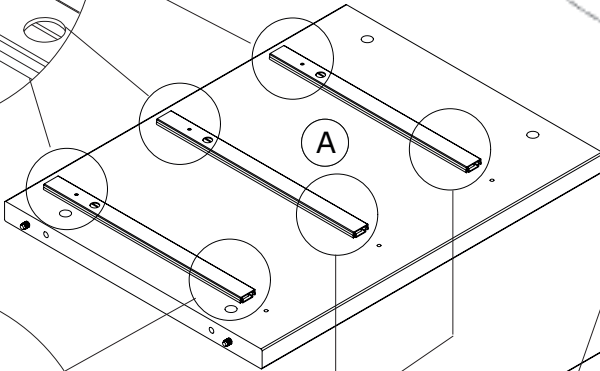
3x



A34

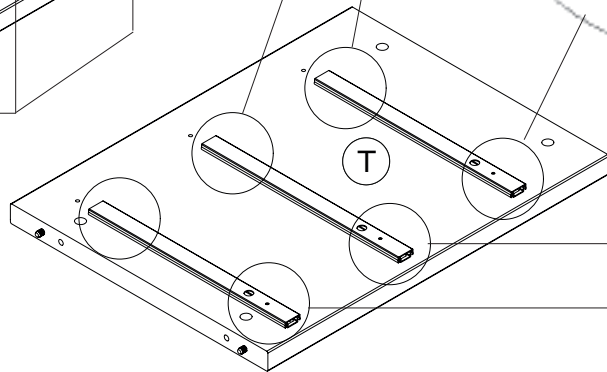
V5

H54



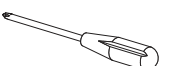
A

T

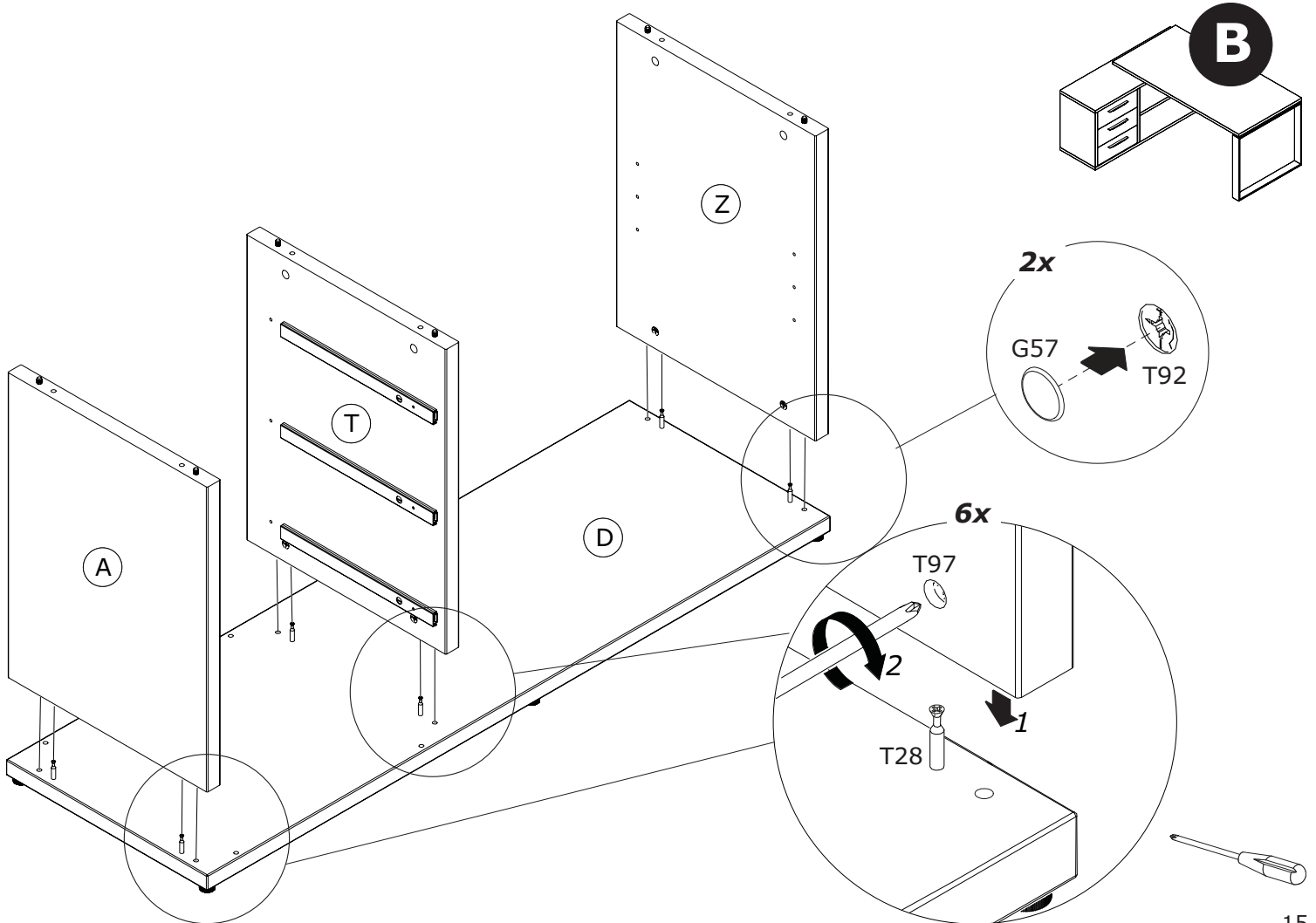
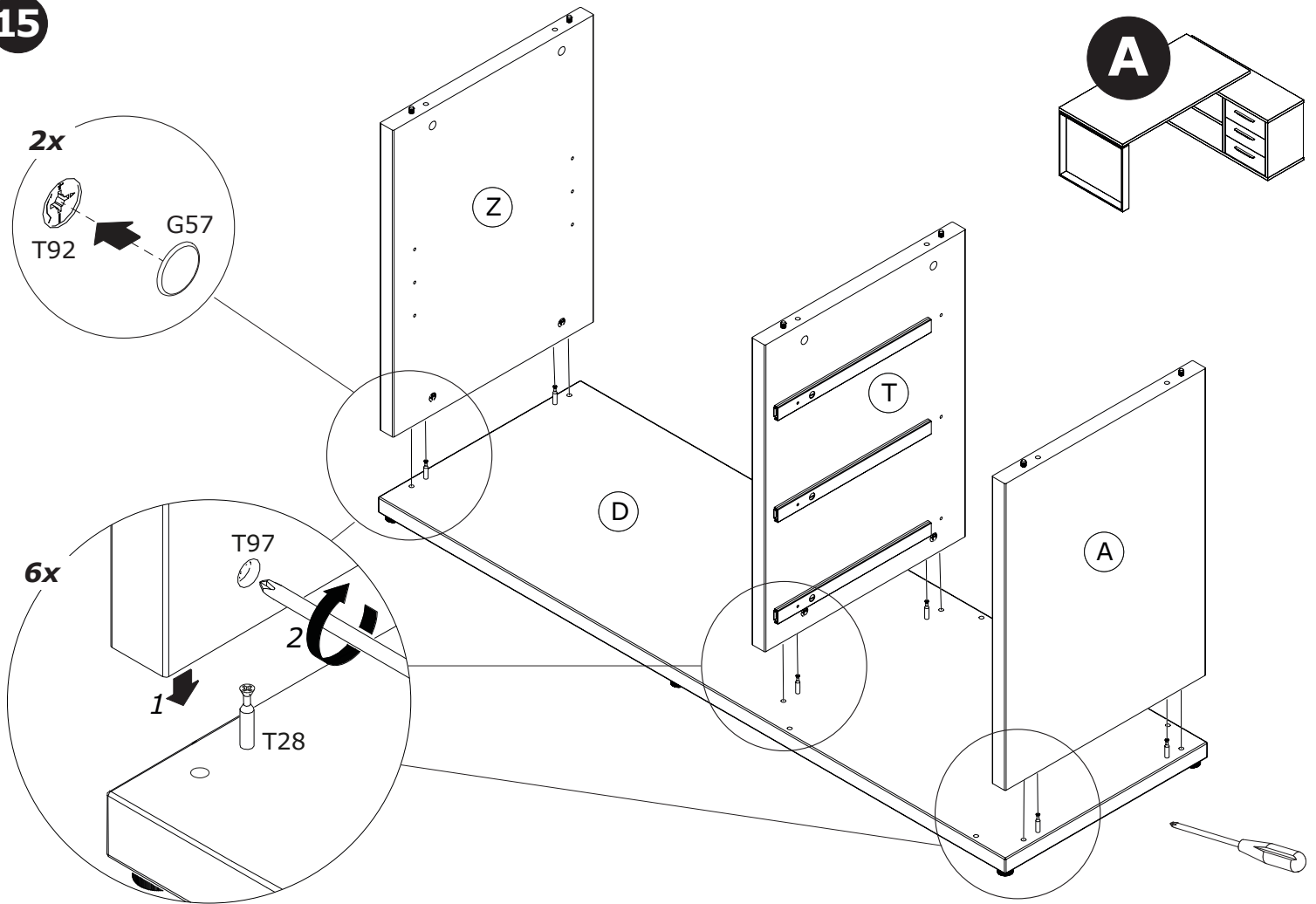


A

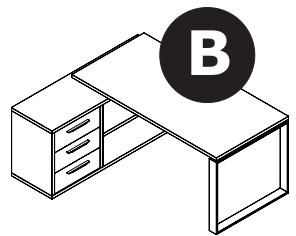
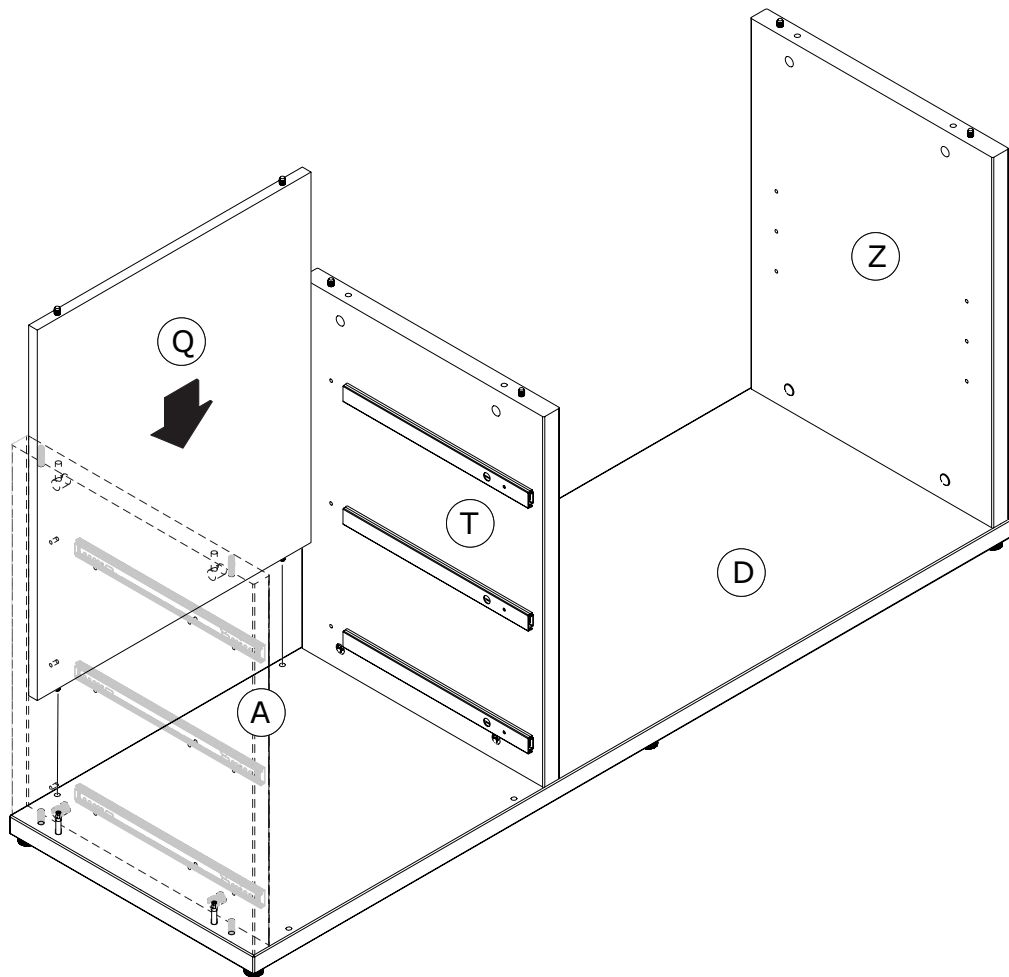
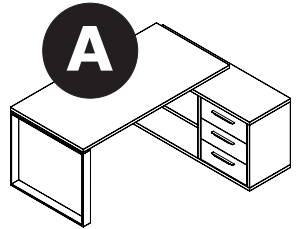
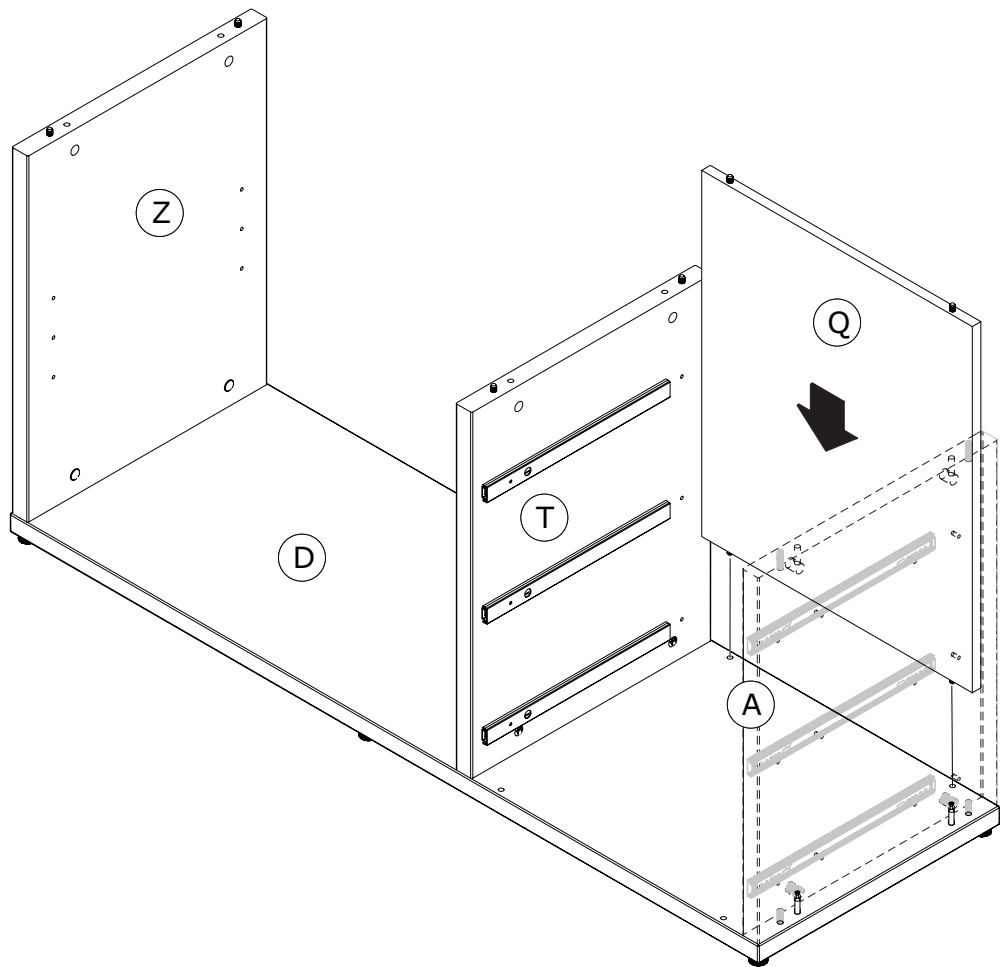
T



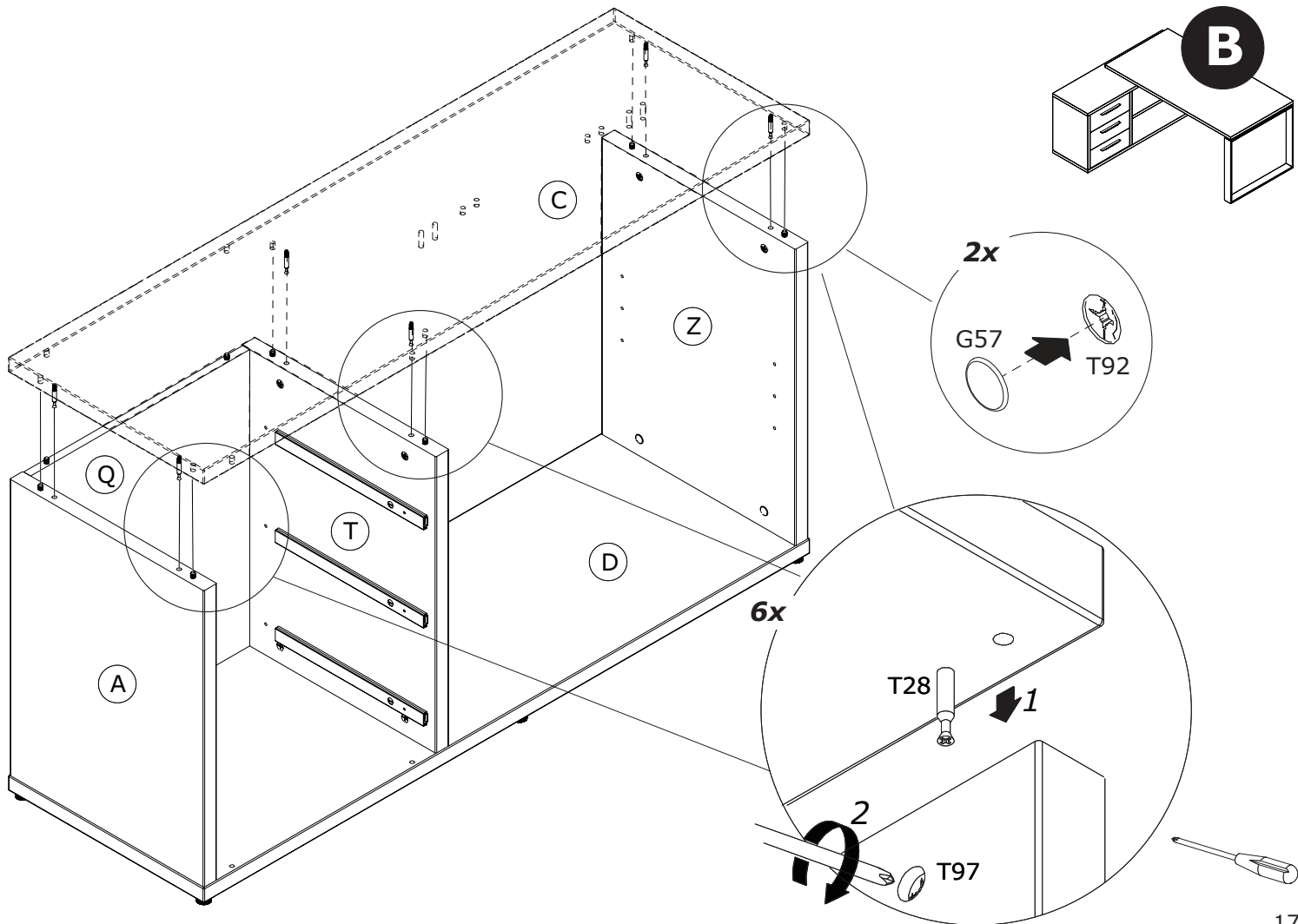
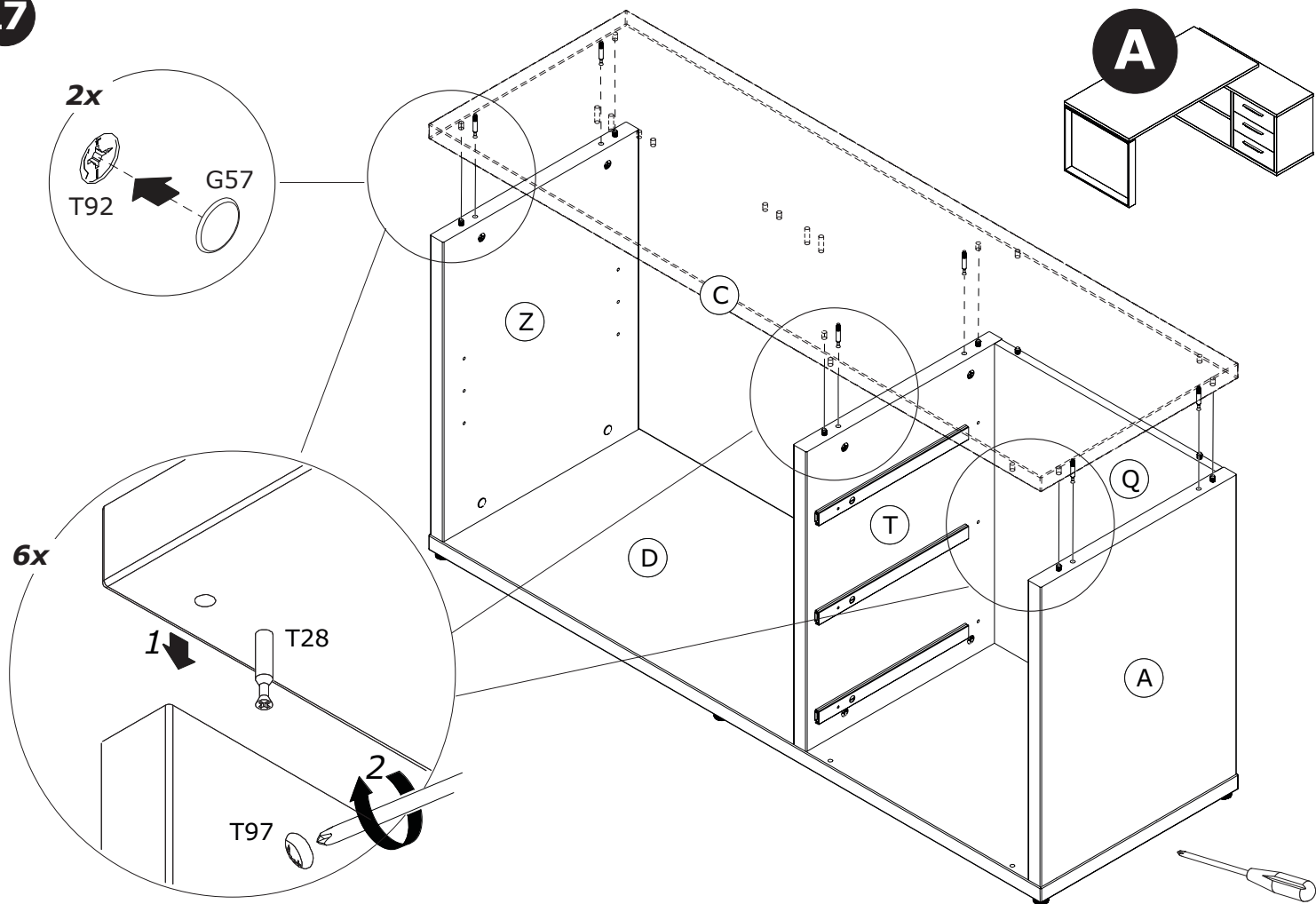
15



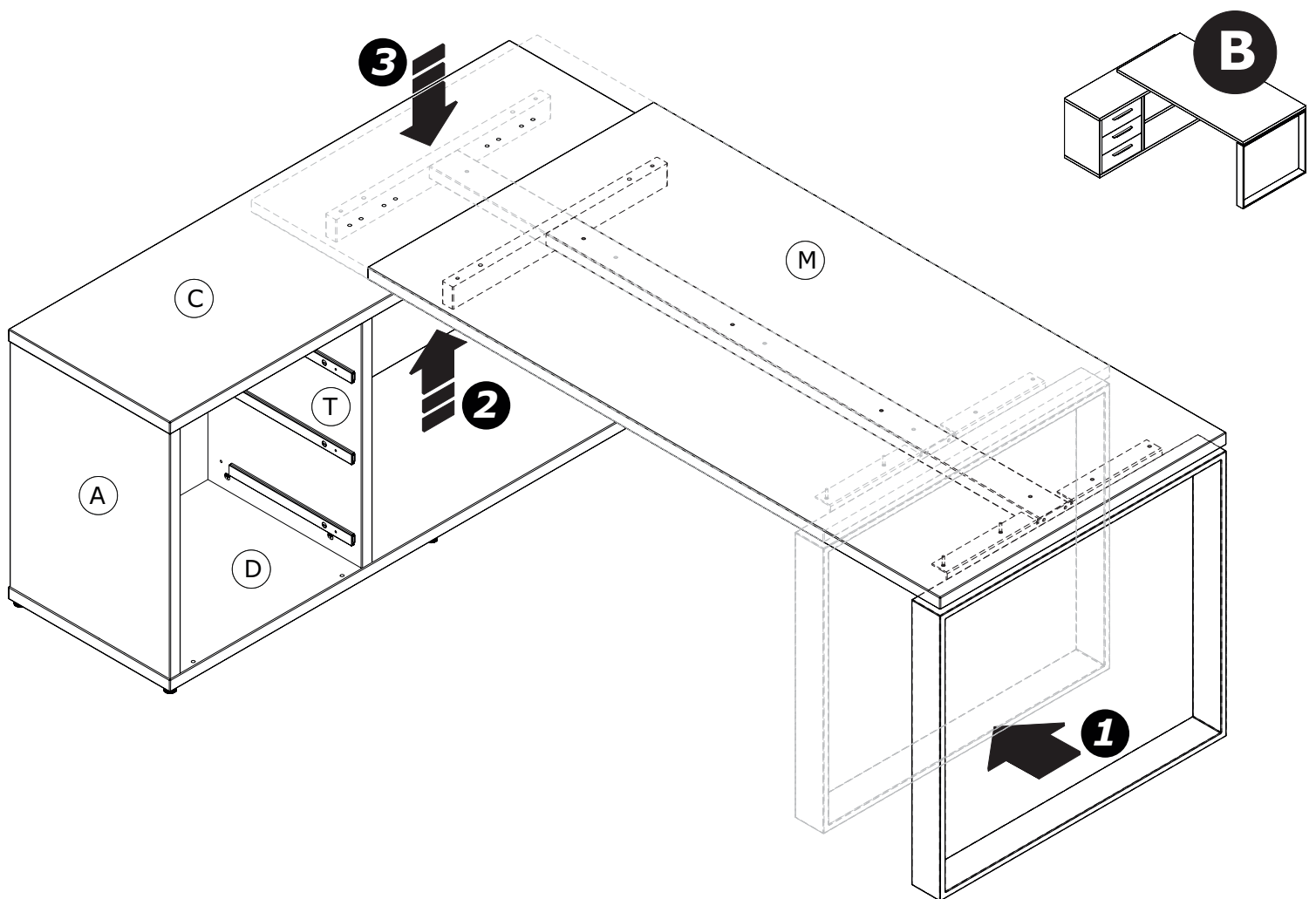
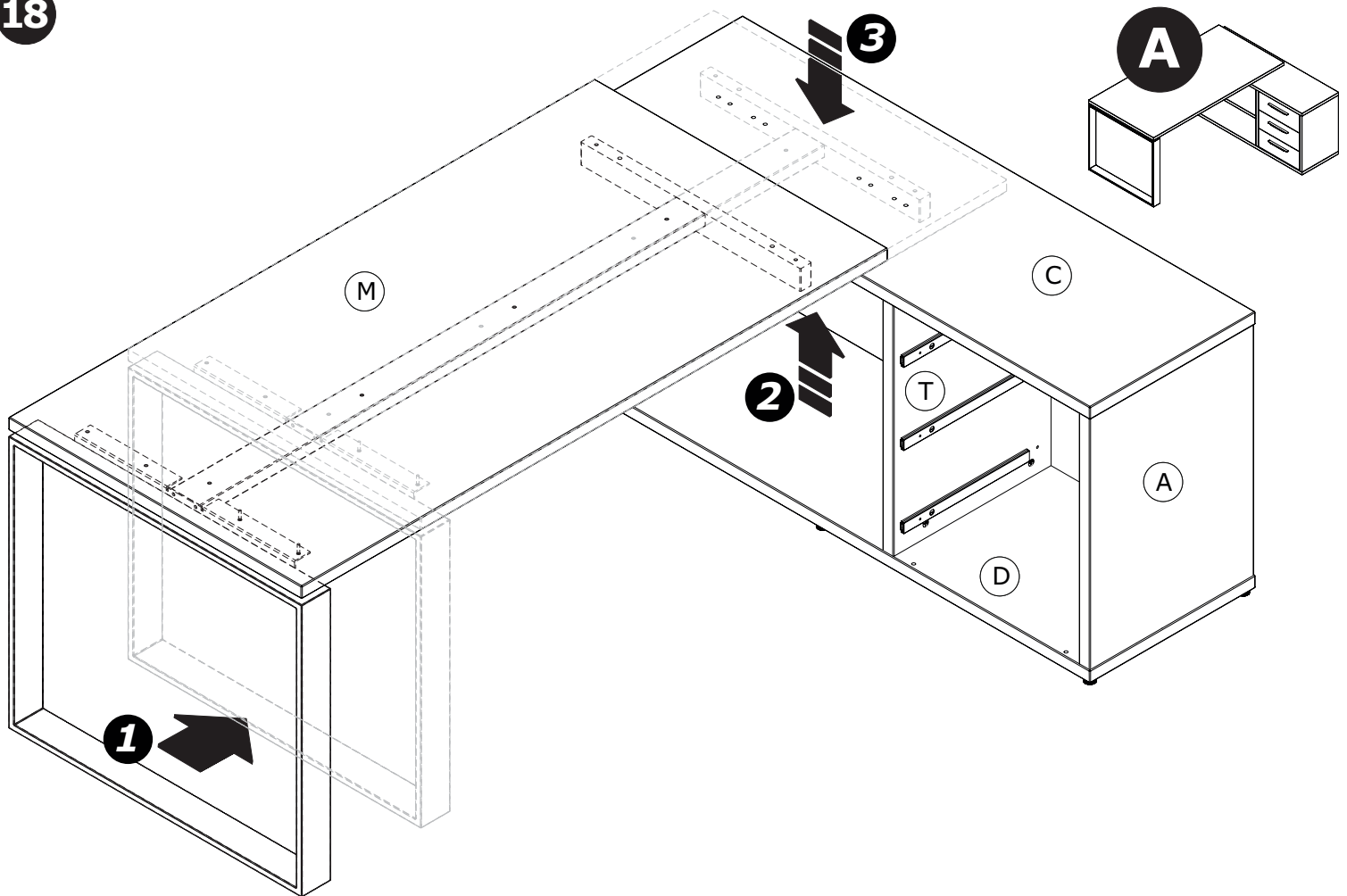
16

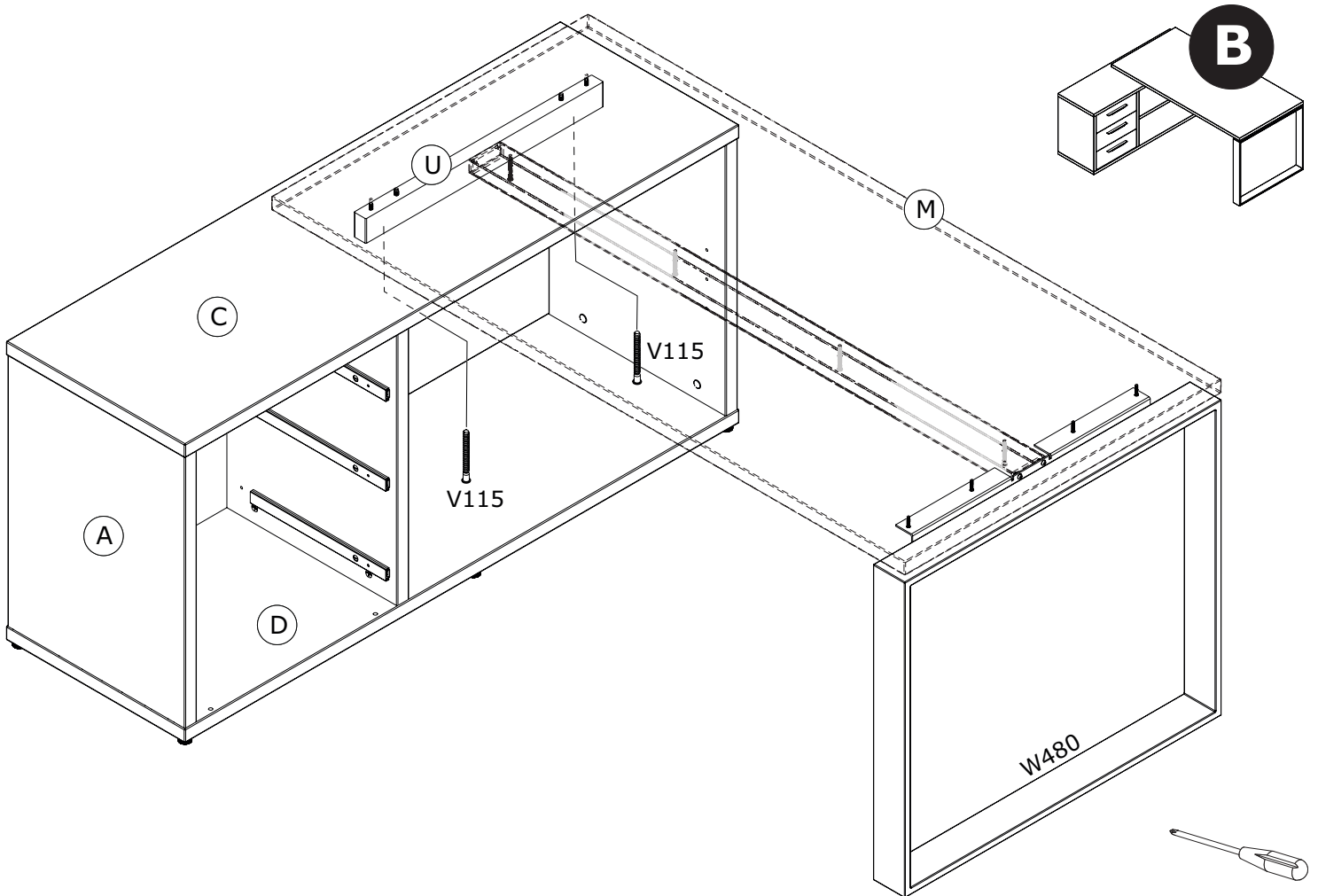
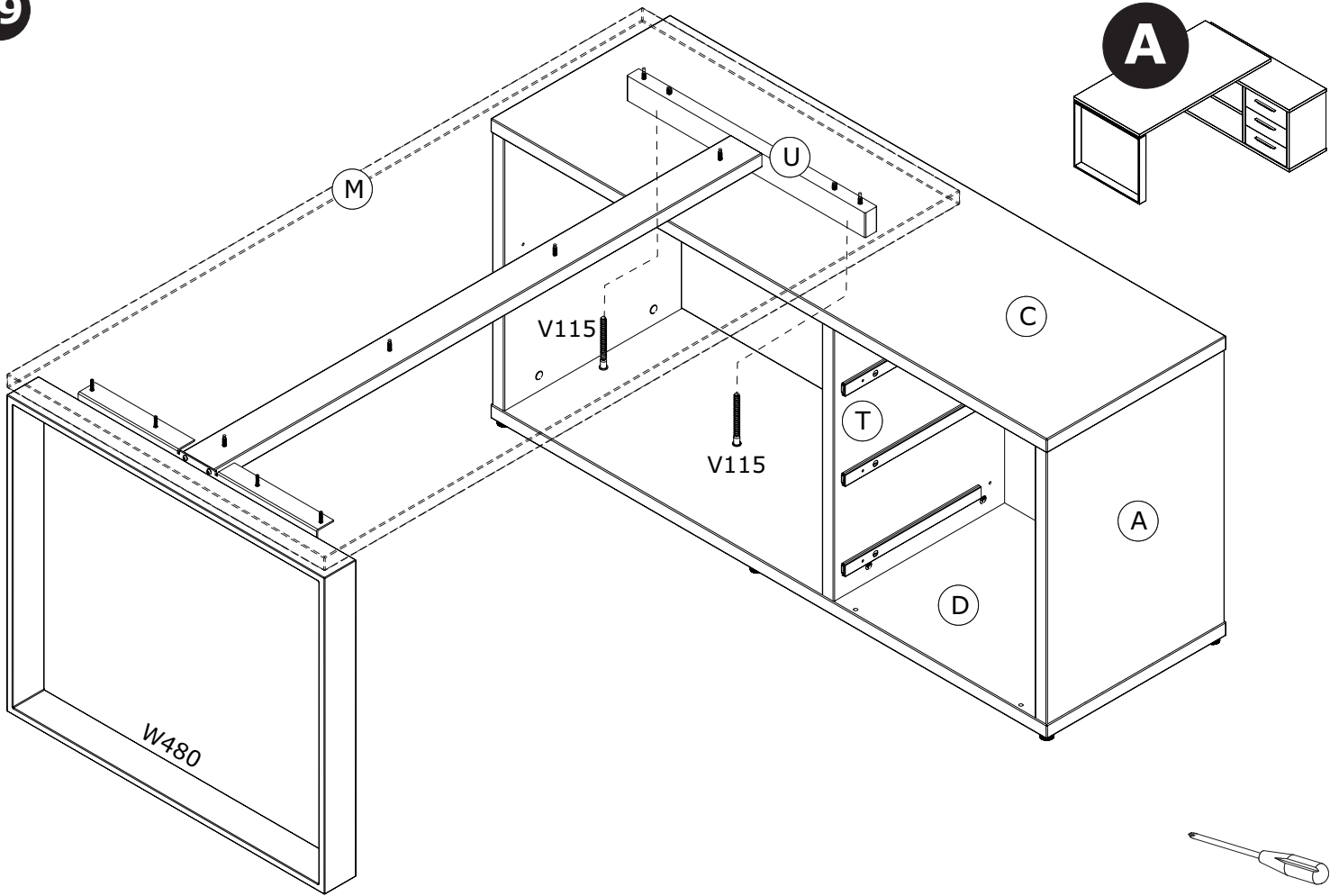


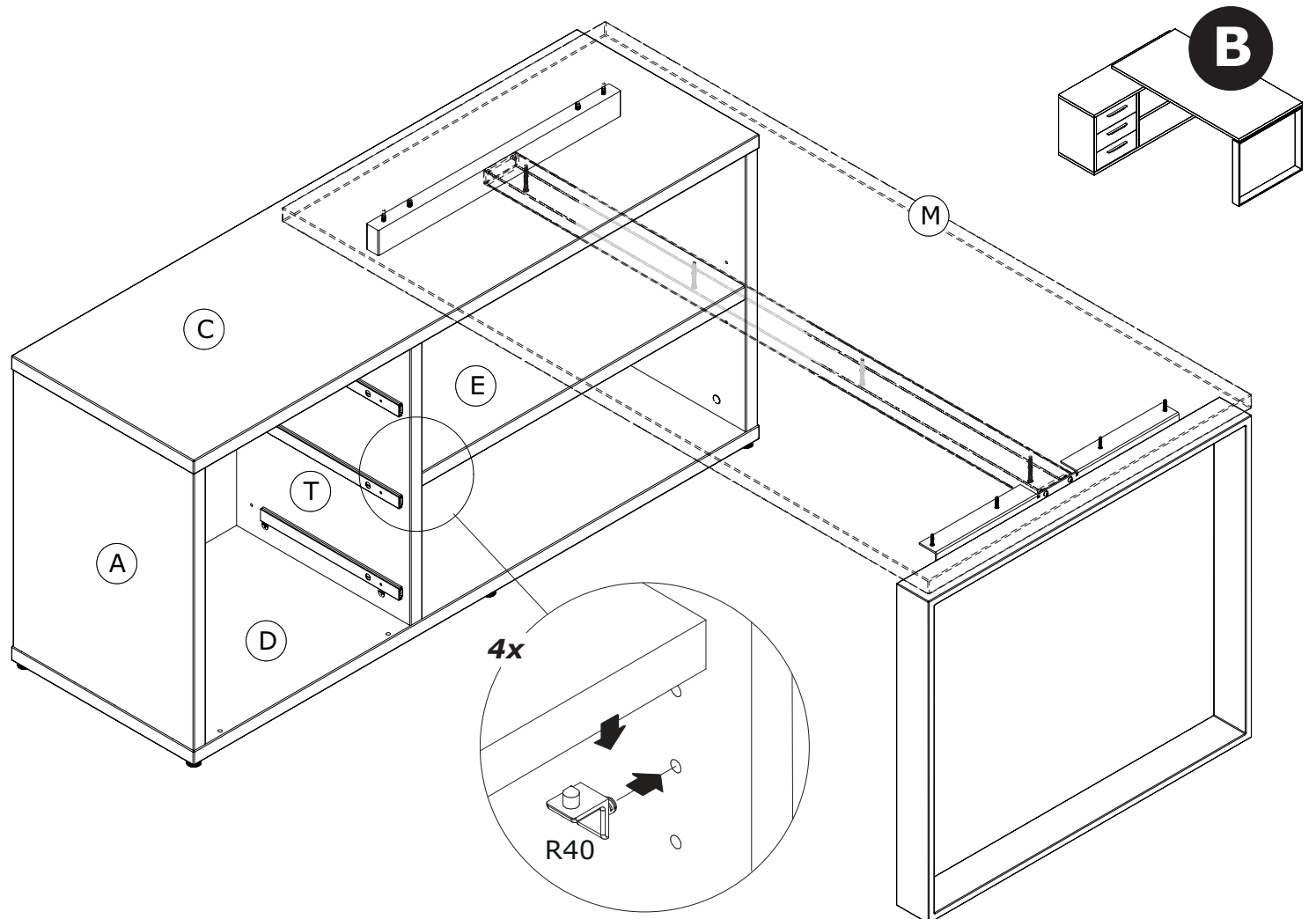
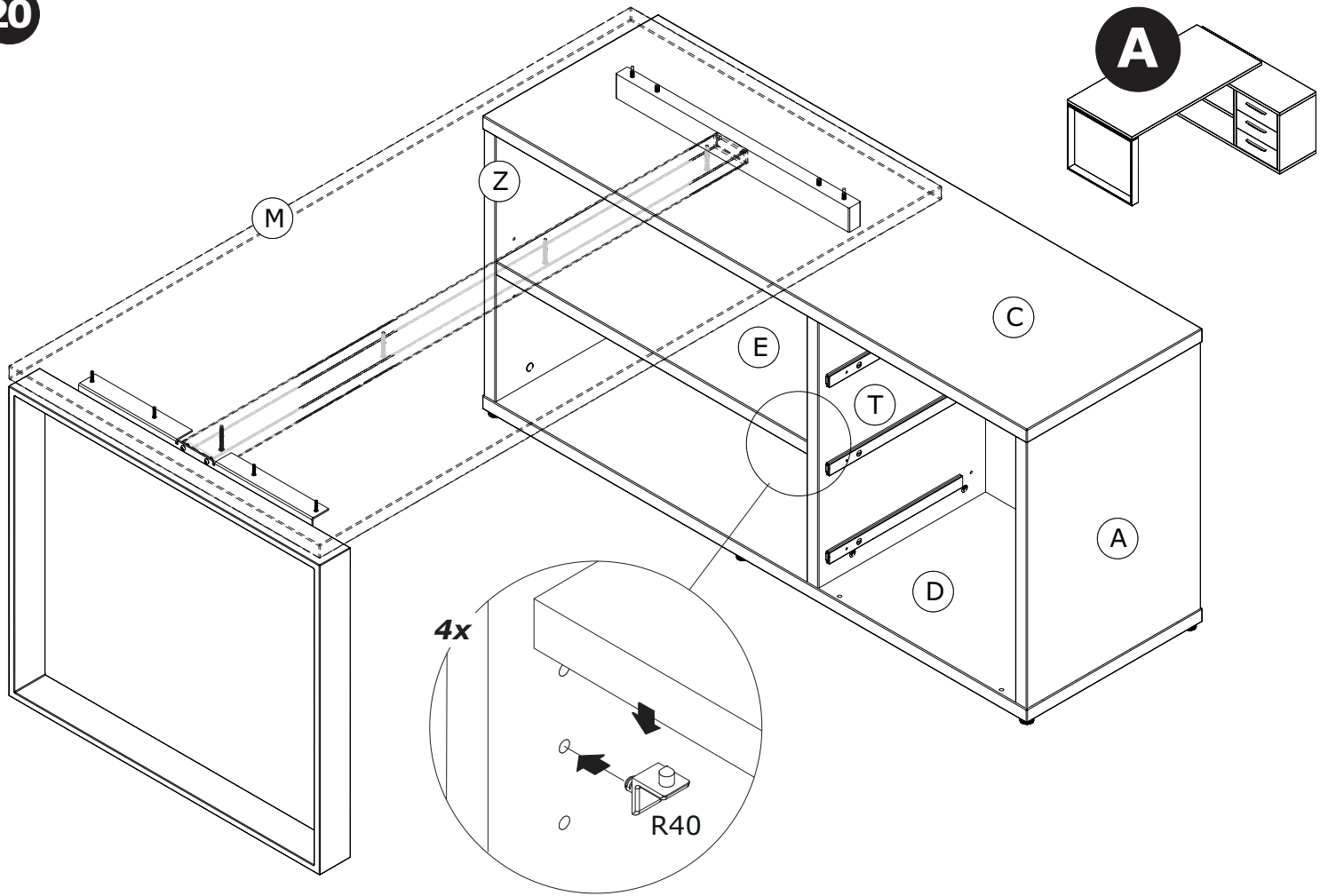




18







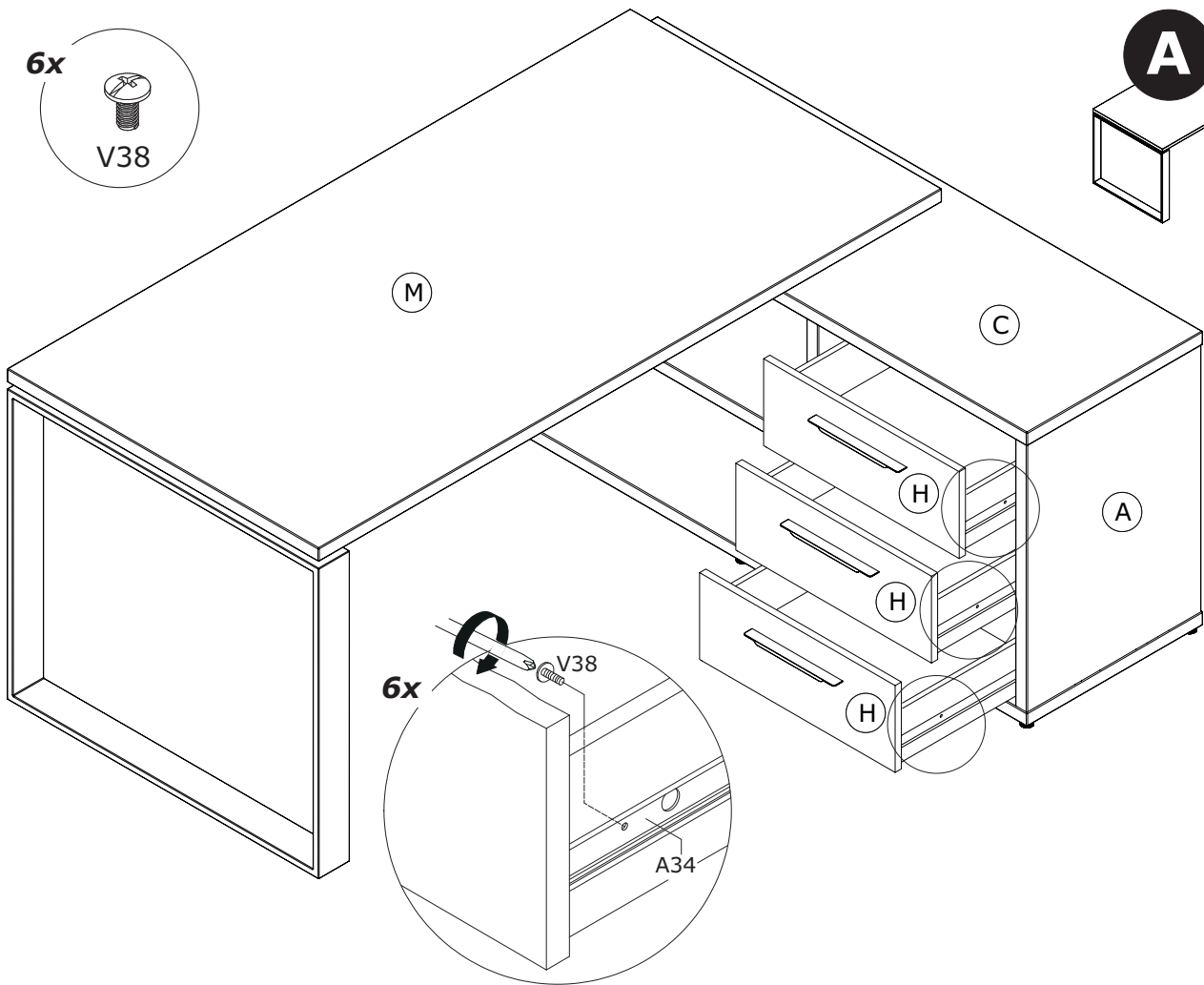
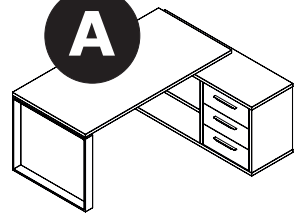
21

6x



V38

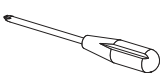
A



6x

V38

A34

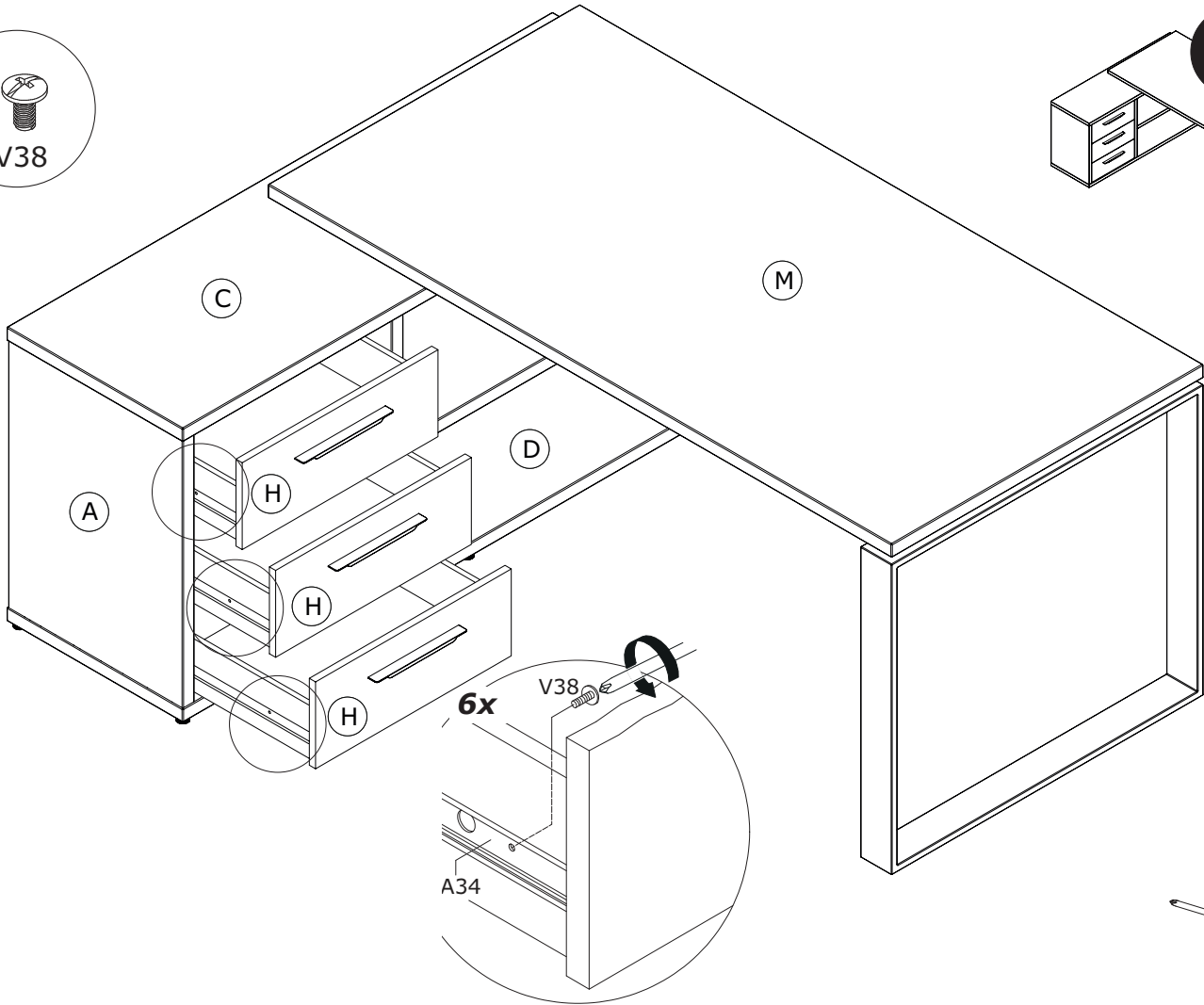
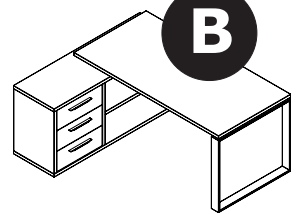


6x



V38

B



6x

V38

A34

