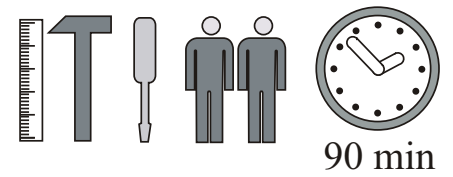
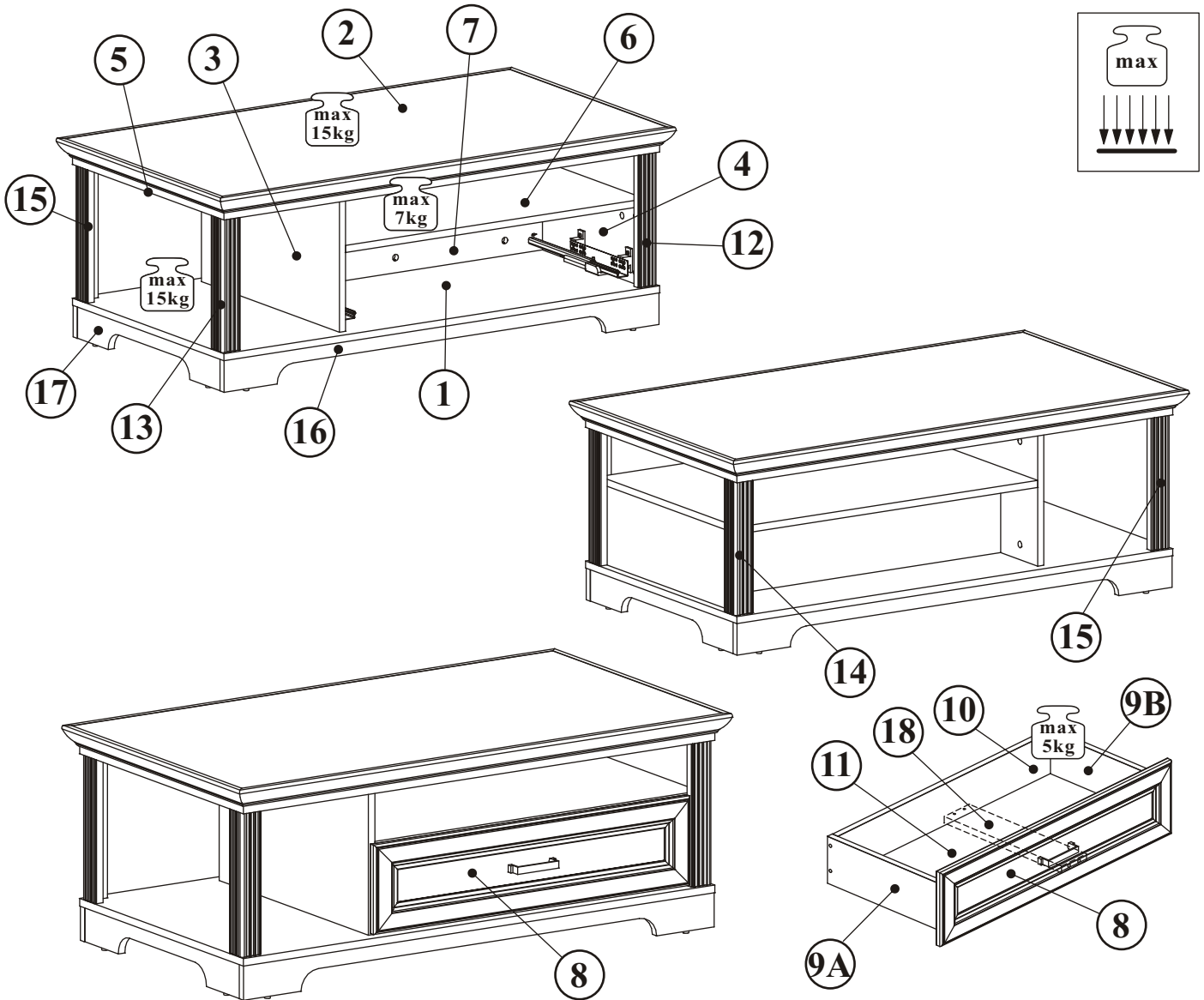
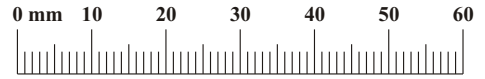


JASMIN 20G9_02

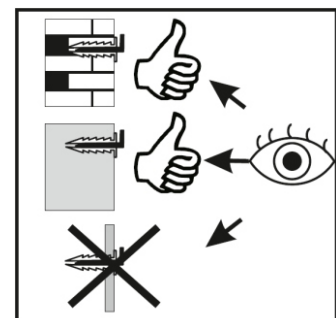
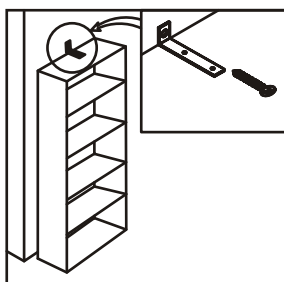
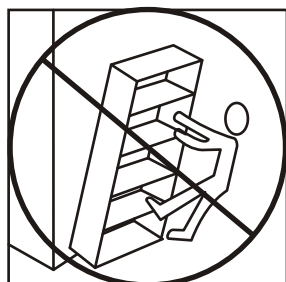
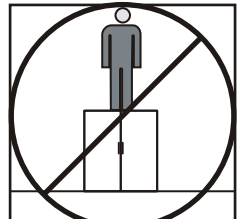
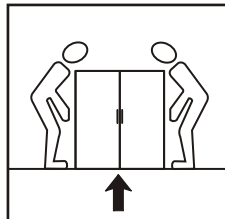
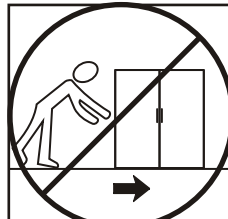
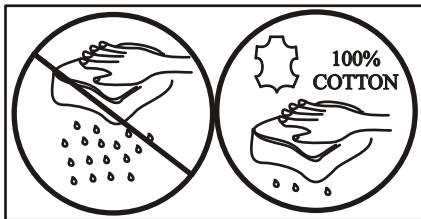
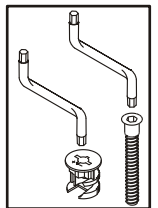
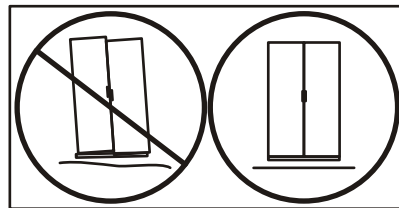
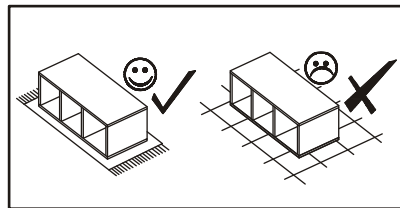
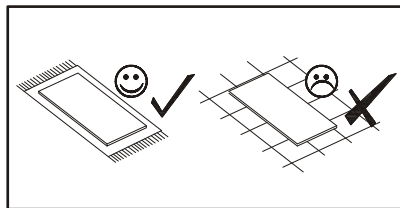
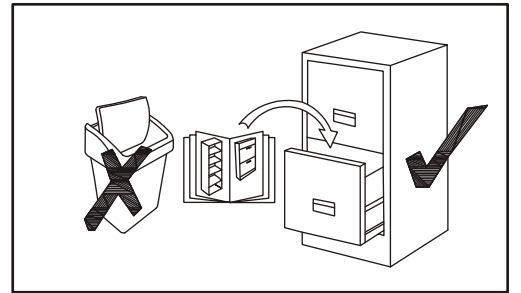
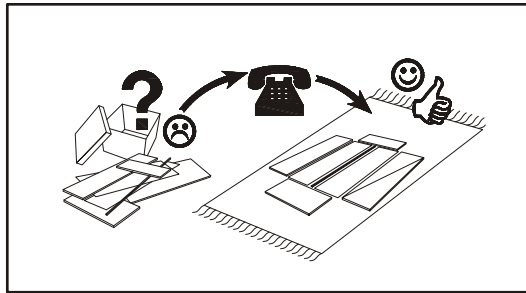
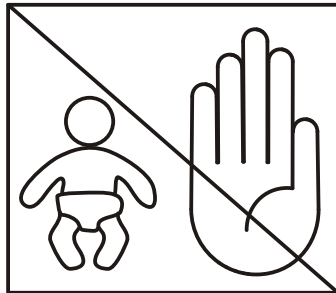


NO	Dim.		Col.-No	Qty
1	1148	612	2	1
2	1200	665	2	1
3	304	558	2	1
4	179	558	2	1
5	1148	612	1	1
6	790	558	1	1
7	774	179	1	1
8	770	188	1	1
9A	350	120	1	1
9B	350	120	1	1
10	709	106	1	1
11	354	721	1	1
12	304	49	1	1


NO	Dim.		Col.-No	Qty
13	304	49	1	1
14	304	49	1	1
15	304	49	1	1
16	1146	72	1	2
17	578	72	1	2
18	349	80	1	1

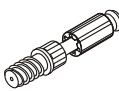


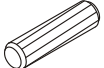
A1 x32 ø8x36	B4 x37	B5 x37 ø15x12	G5 x37	I2 x8	G2 x1
KM1 x4	D10 x10 USØ3,5x13	UP13 x6 UPØ3x16	UP6 x2 UPØ4x30	D20 x4 ESØ6,3x9,5	QU x1 L-350
B11 x12 Ø7x50	B14 x16 Ø7x30	G4 x28	H1 x2	C19 x1	D16 x2 M4x16
EK6 x4 EKØ6,3x13	A4 x8 Ø6x36	S1 x2	UP9 x4 UPØ3,5x16	I9 x1 L-60 mm.	




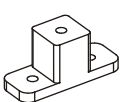
1

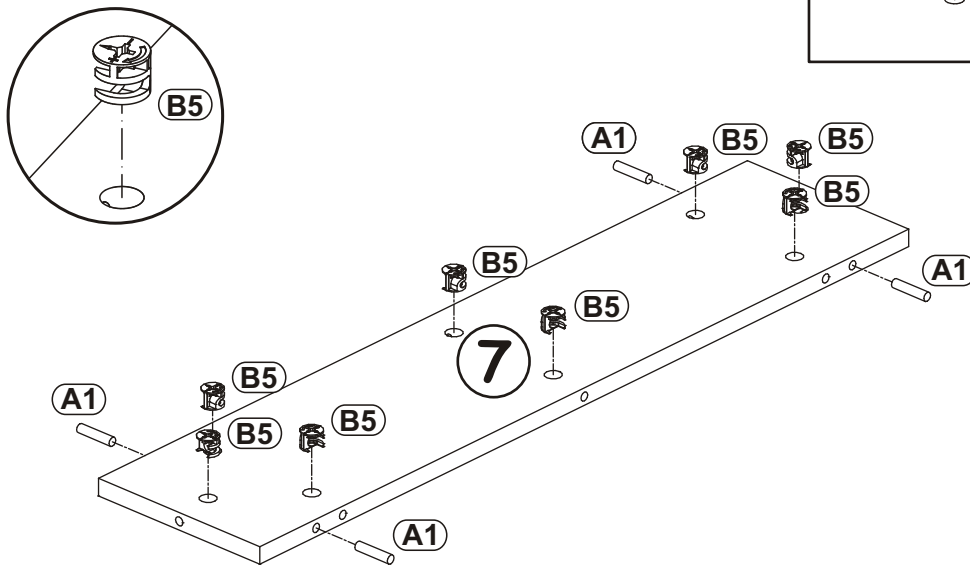
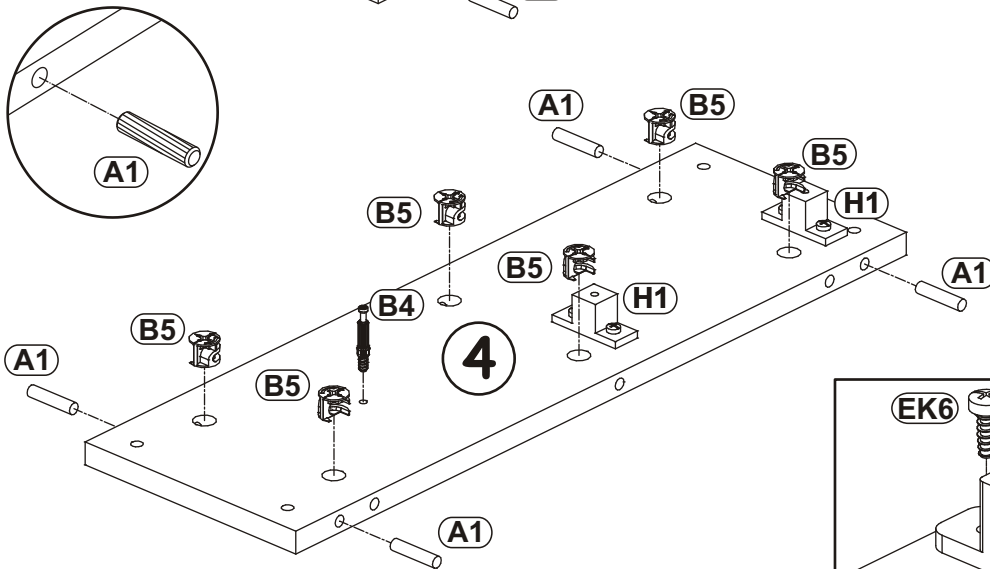
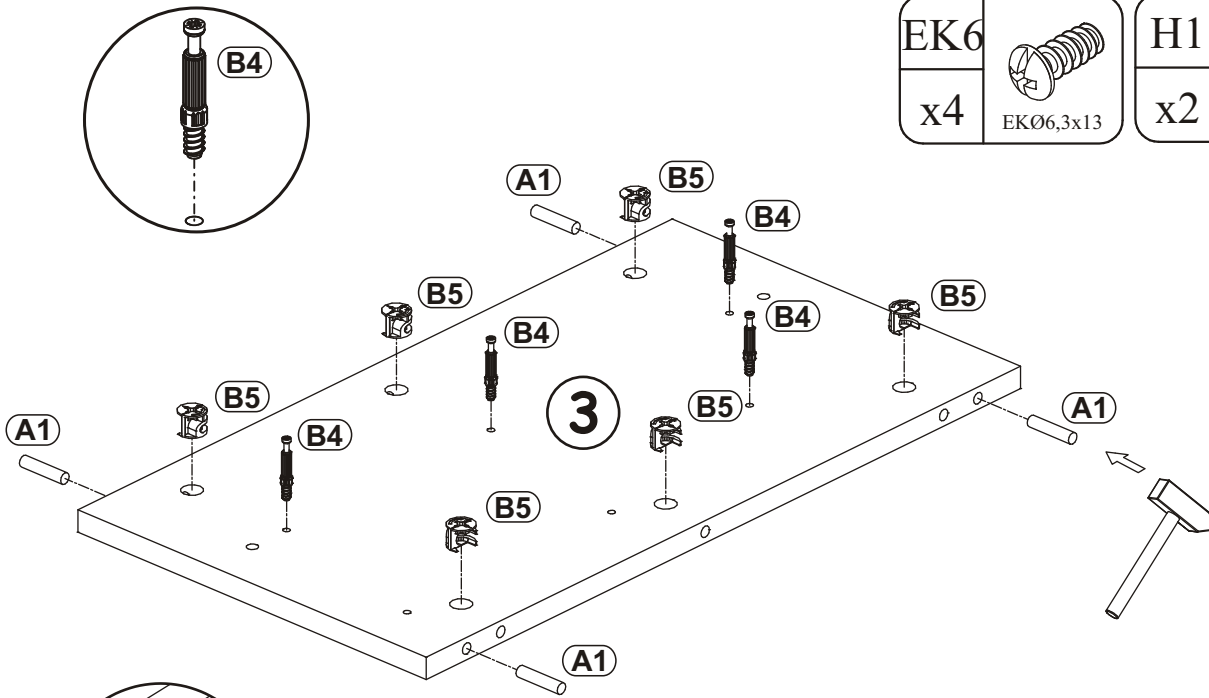
B5	
x20	ø15x12

B4	
x5	

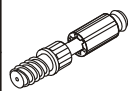
A1	
x12	ø8x36

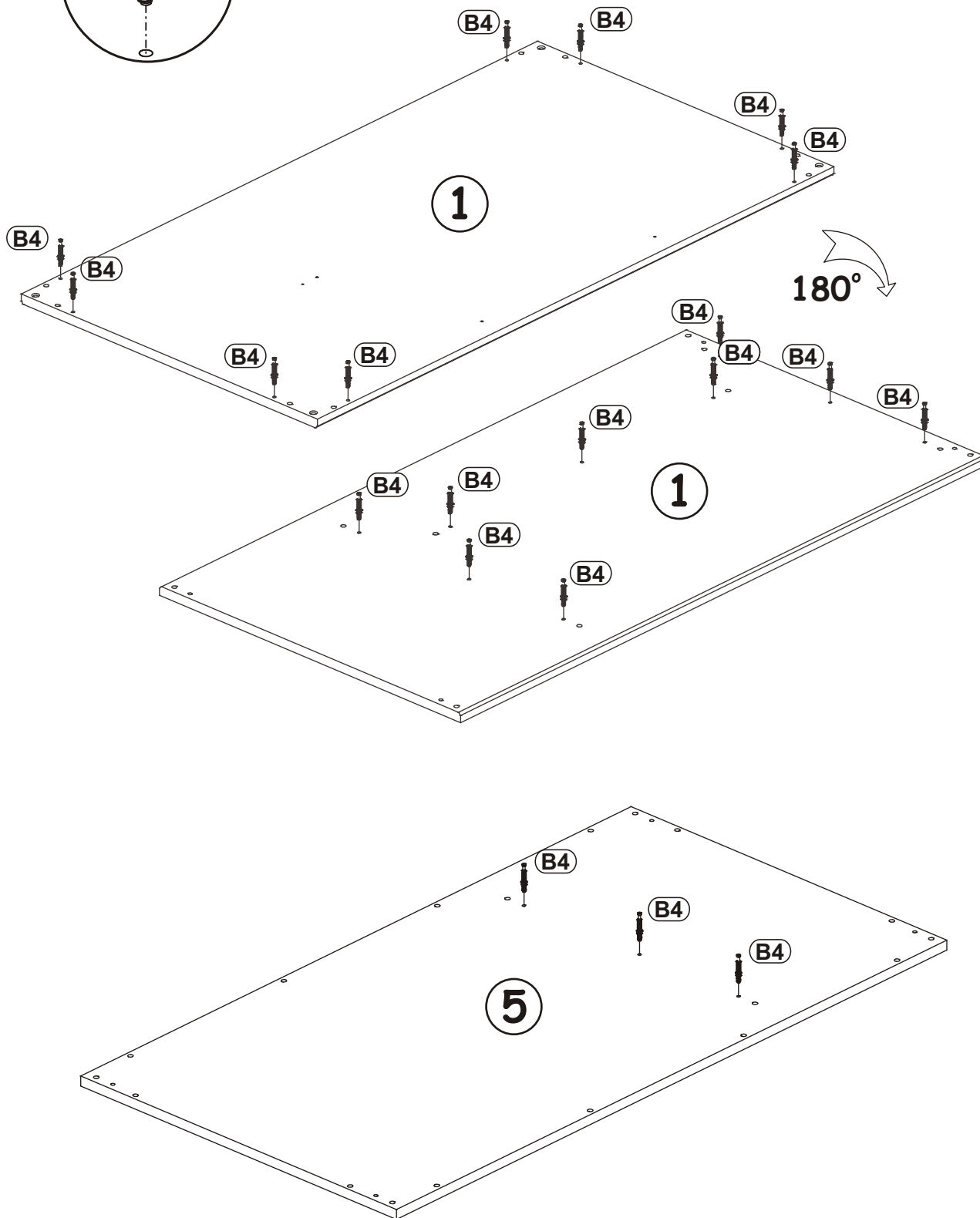
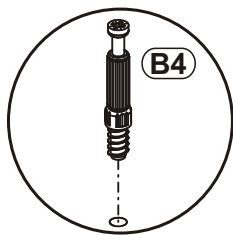
EK6	
x4	EKØ6,3x13

H1	
x2	

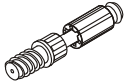


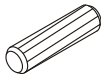
2


B4	
x20	

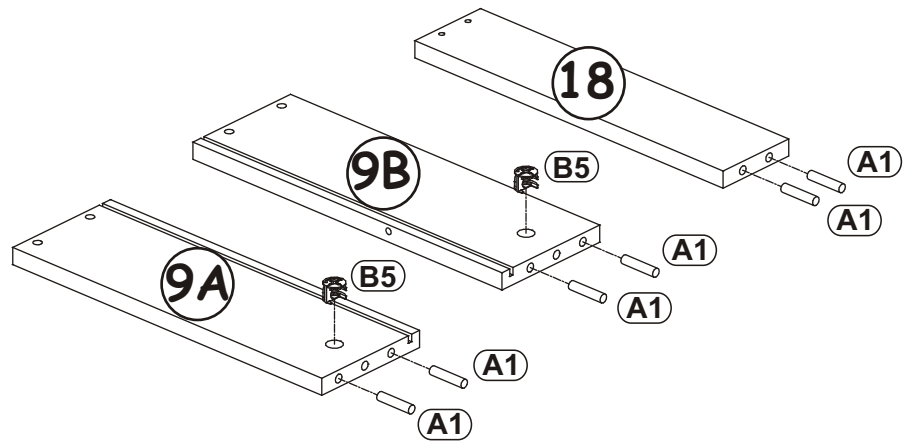
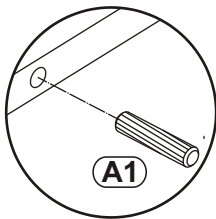
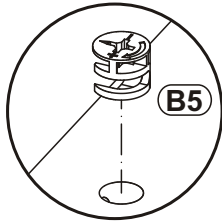
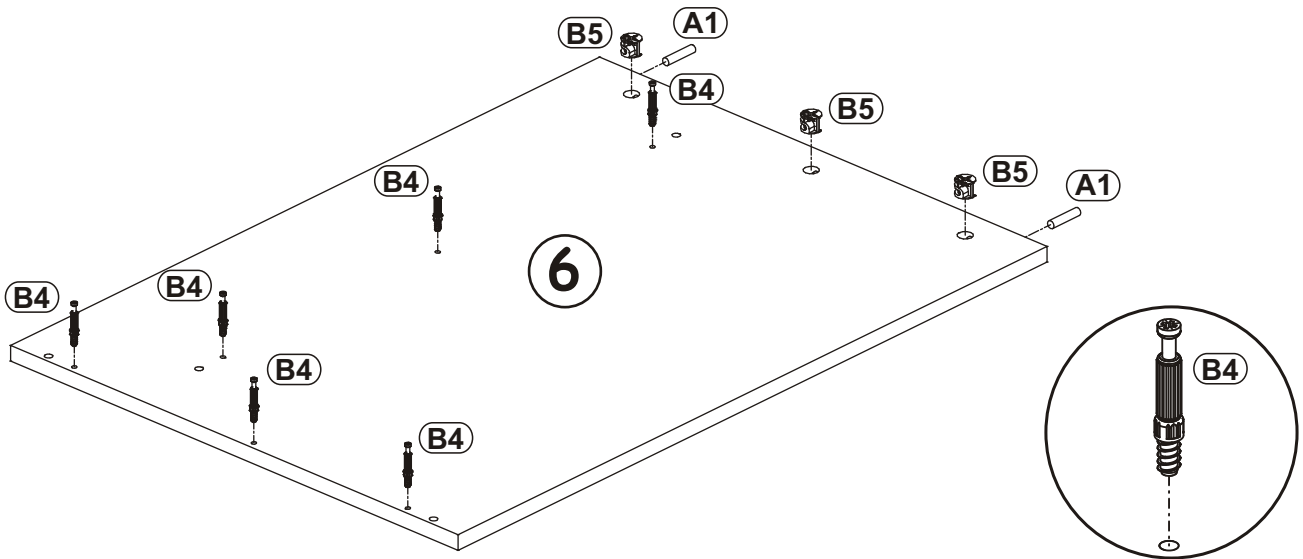


3

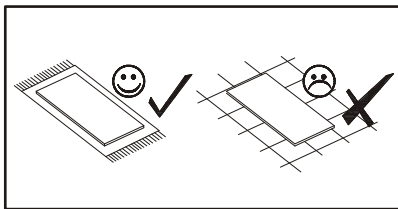
B4	
x6	

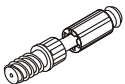
A1	
x8	ø8x36

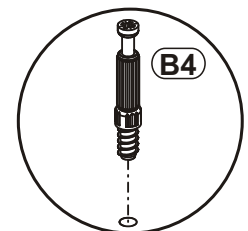
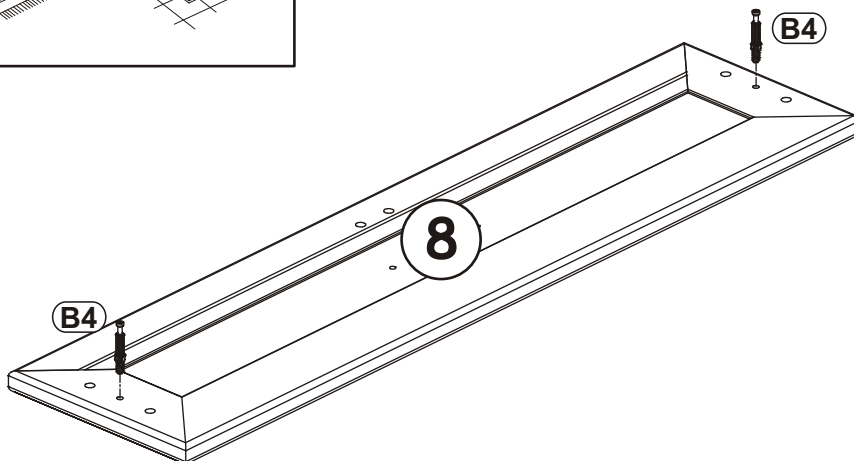
B5	
x5	ø15x12



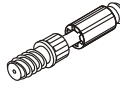

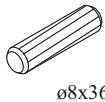
4

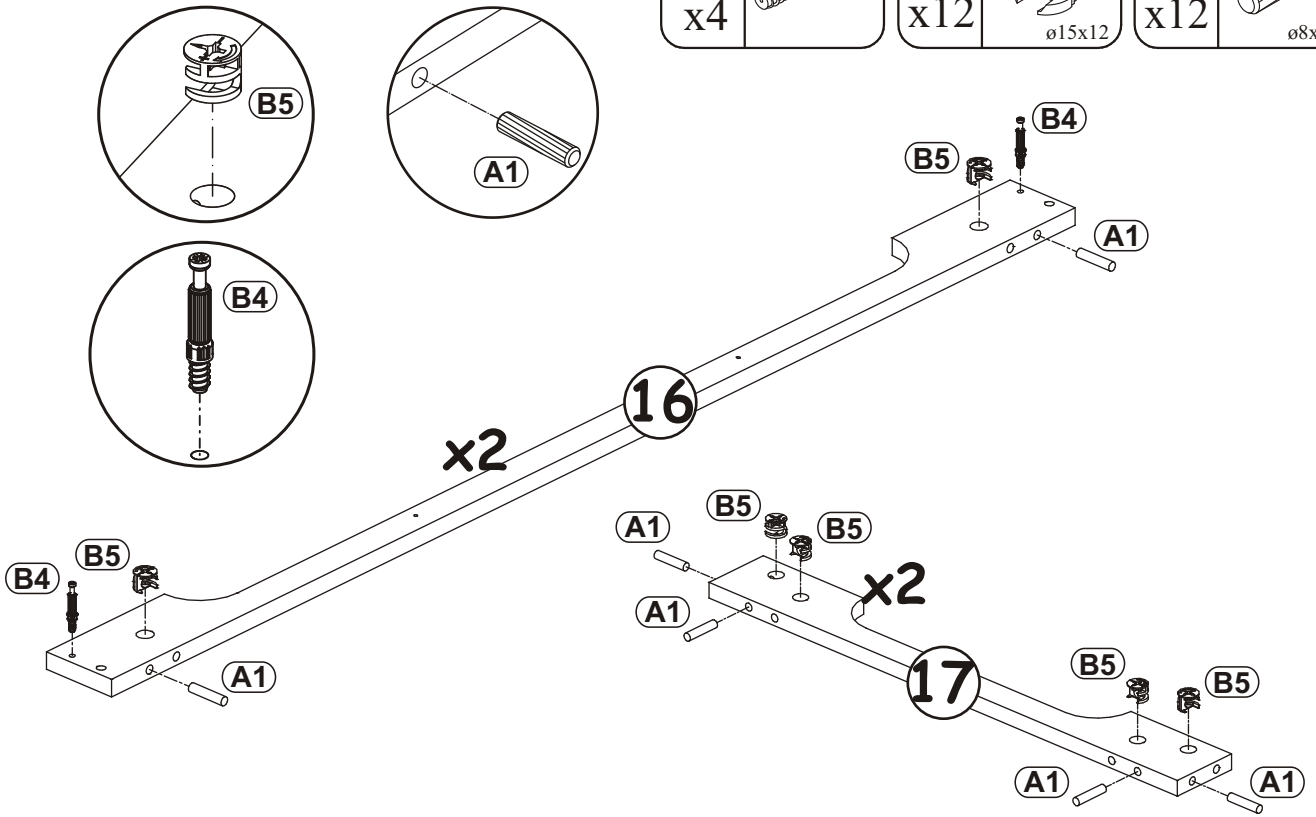


B4	
x2	

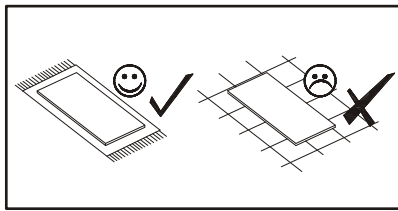


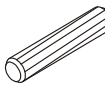
5

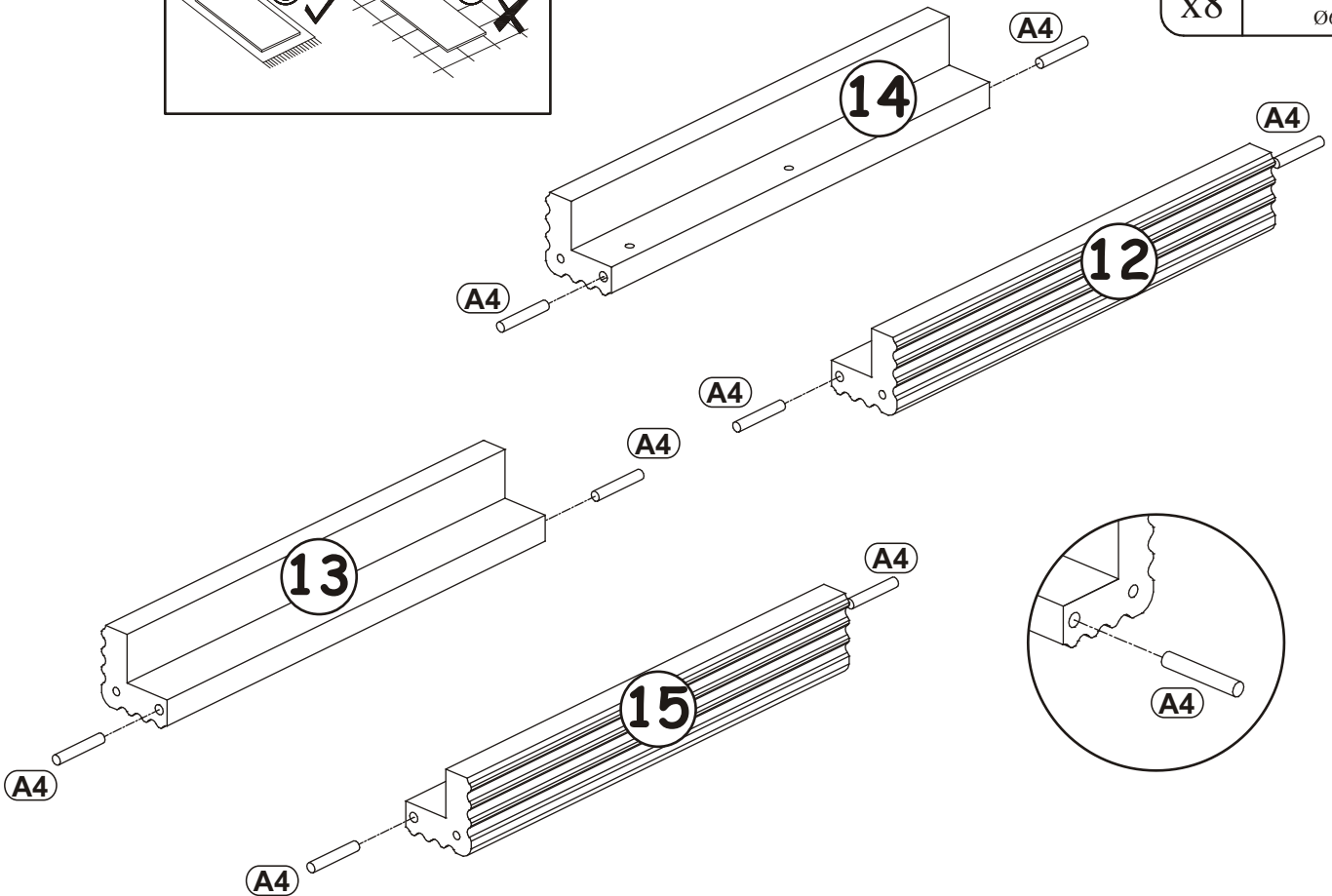
B4		B5		A1	
x4		x12	ø15x12	x12	ø8x36



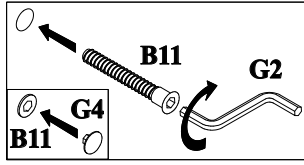
6



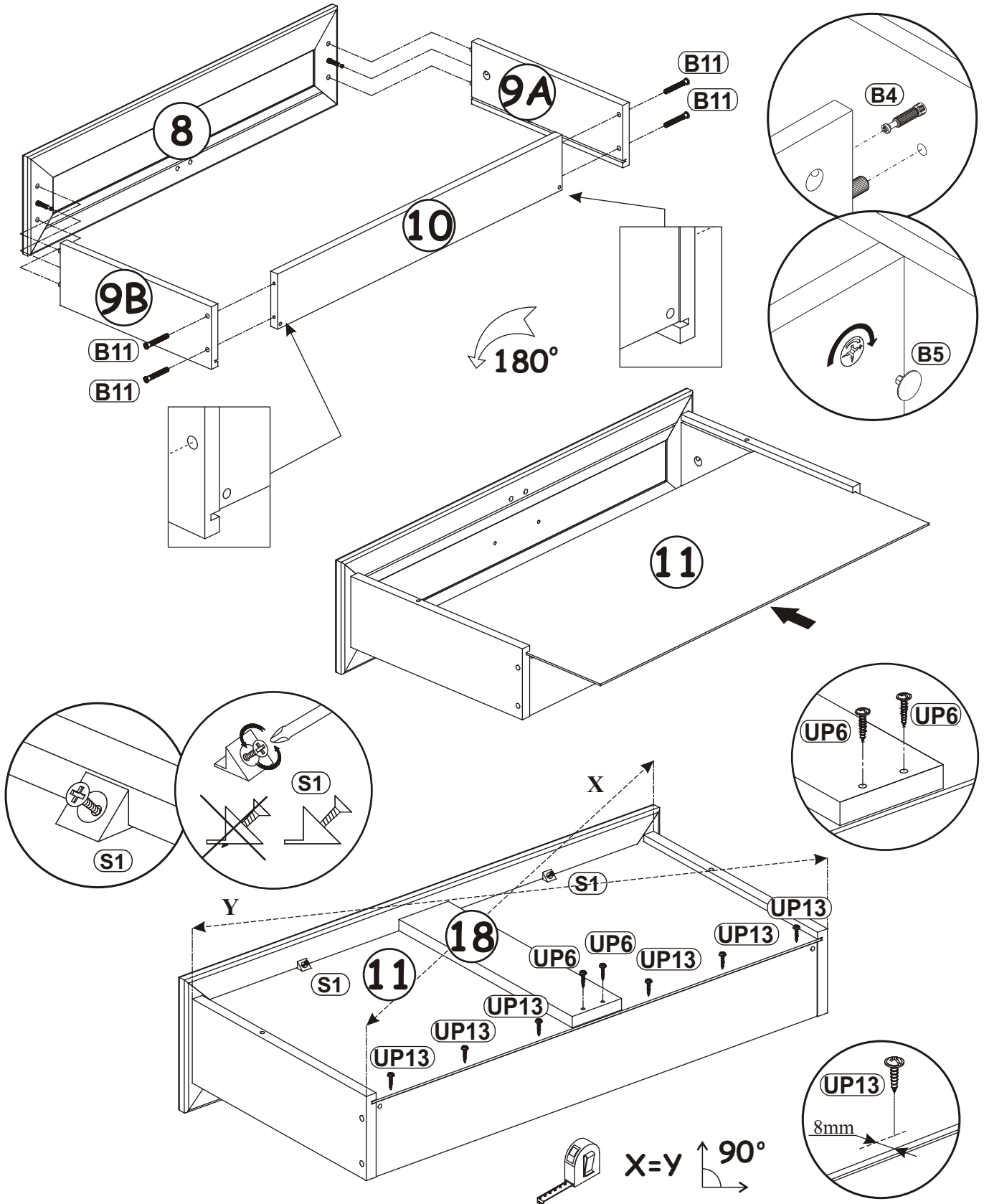
A4	
x8	ø6x36

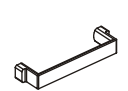
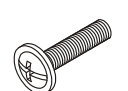


7

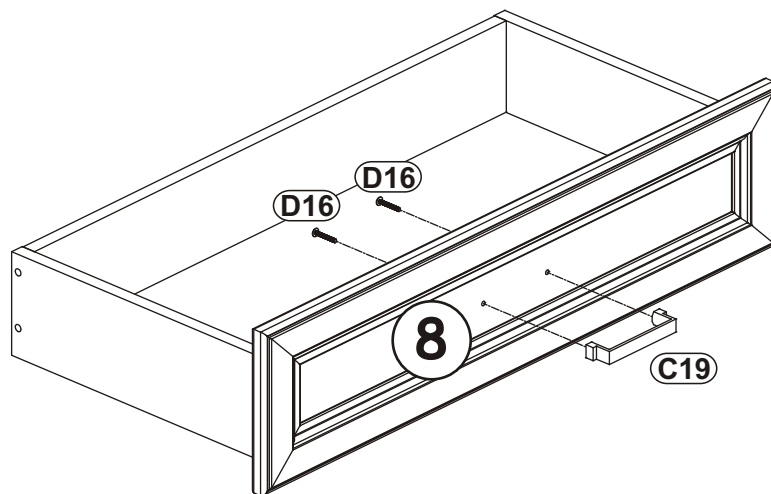


G5		B11		G4	
x2		x4	Ø7x50	x4	
UP13		S1		UP6	
x6	UPØ3x16	x2		x2	UPØ4x30

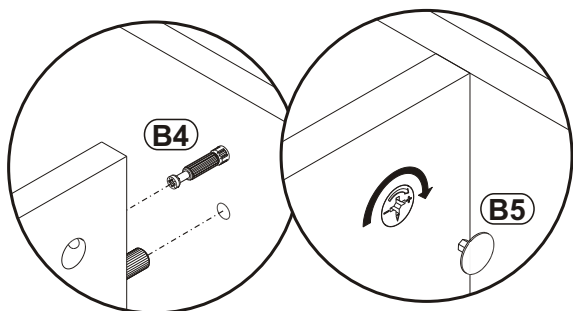



C19		D16	
x2		x2	M4x16

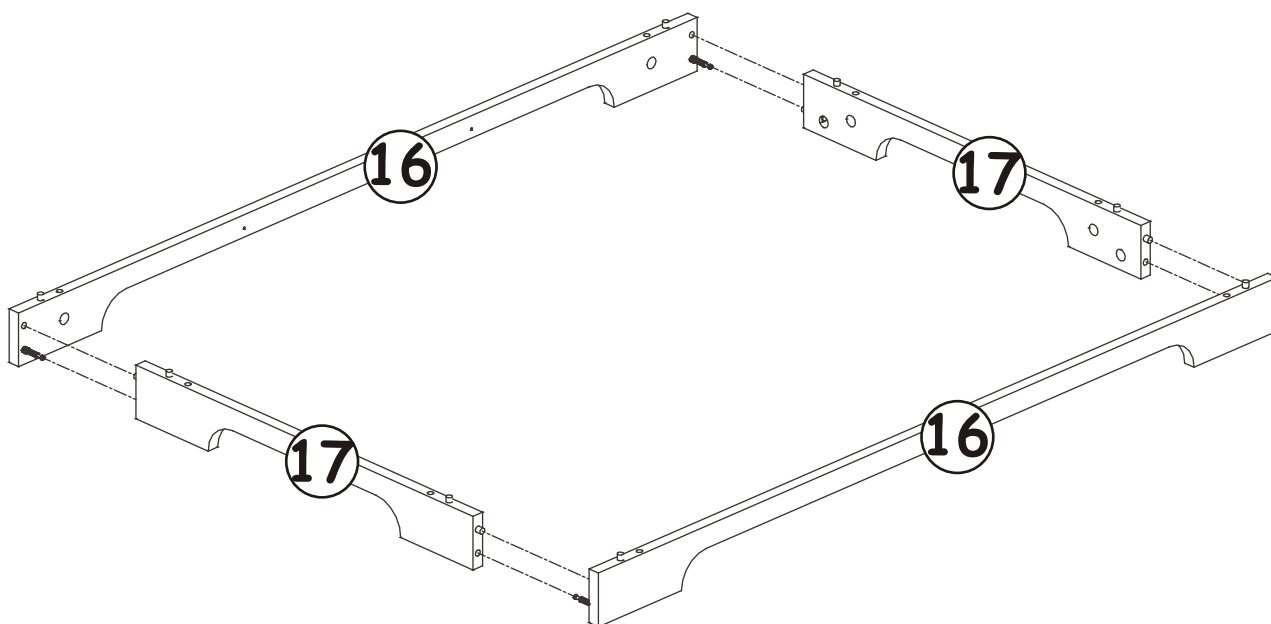
8




9

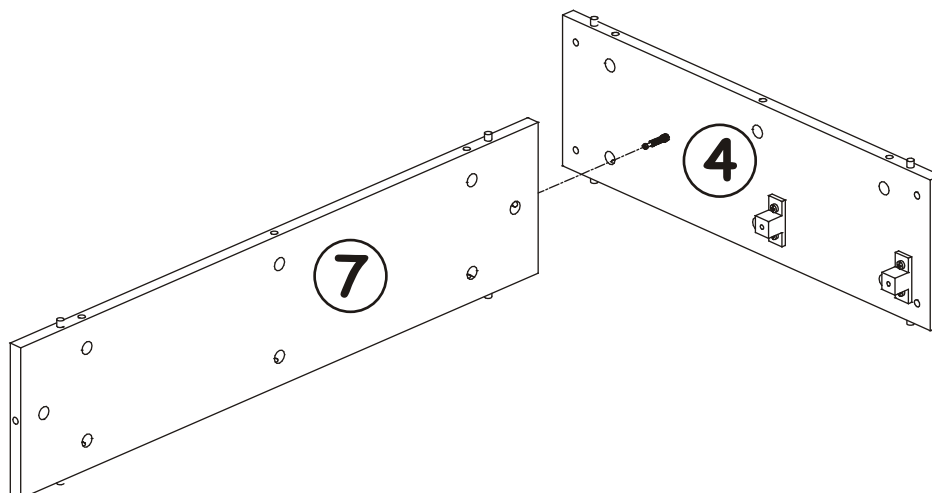


G5	
x4	

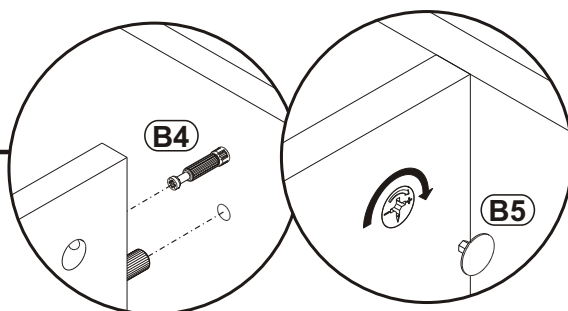



10

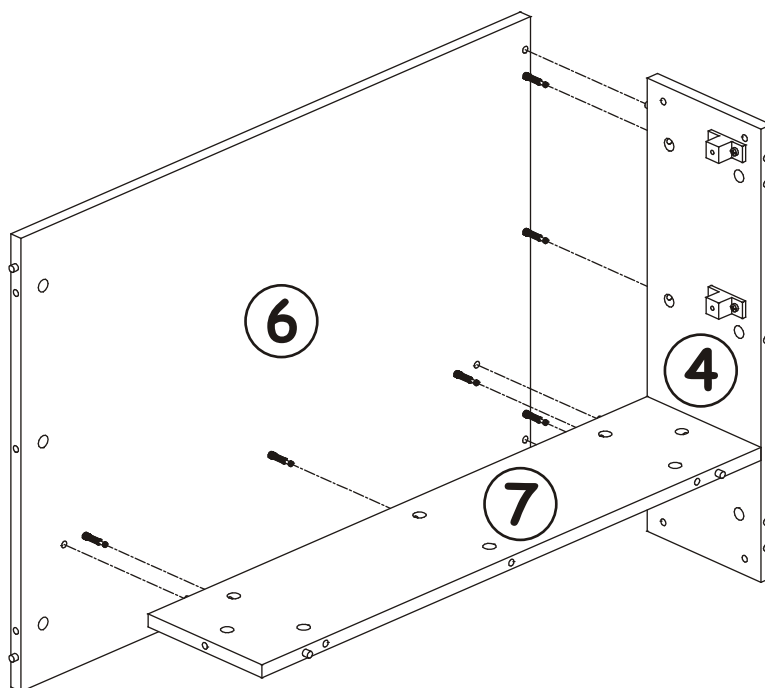
G5	
x1	




11

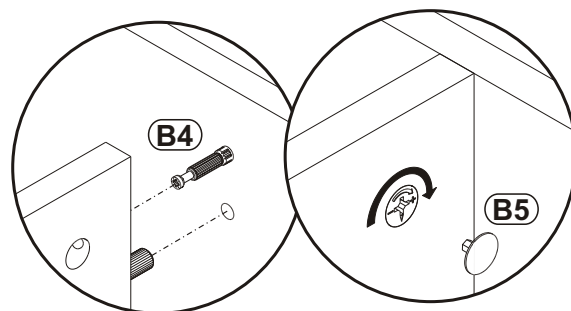
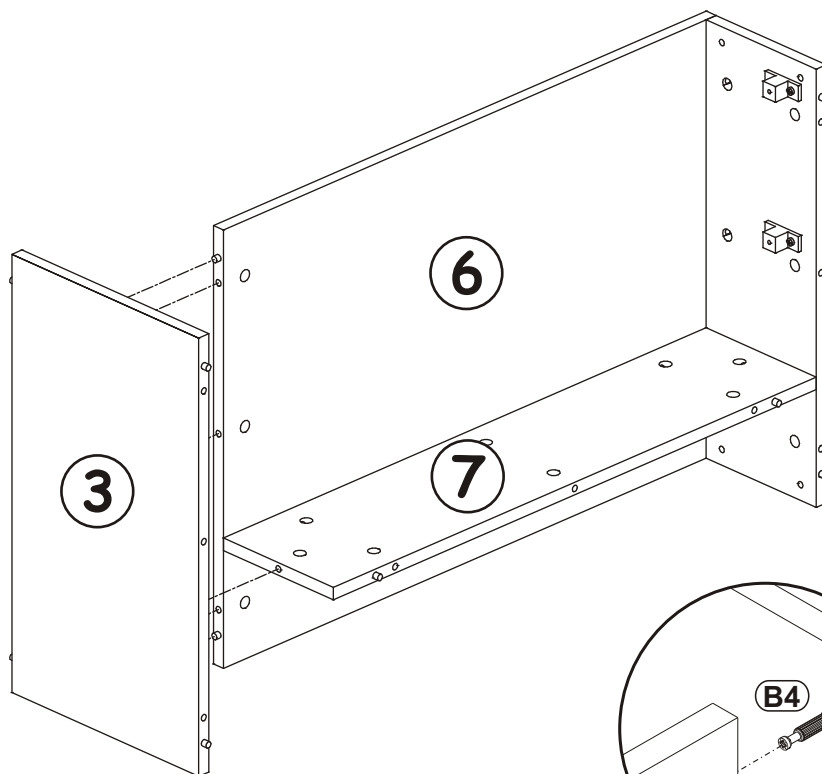


G5	
x6	





12

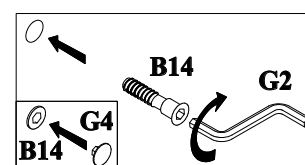
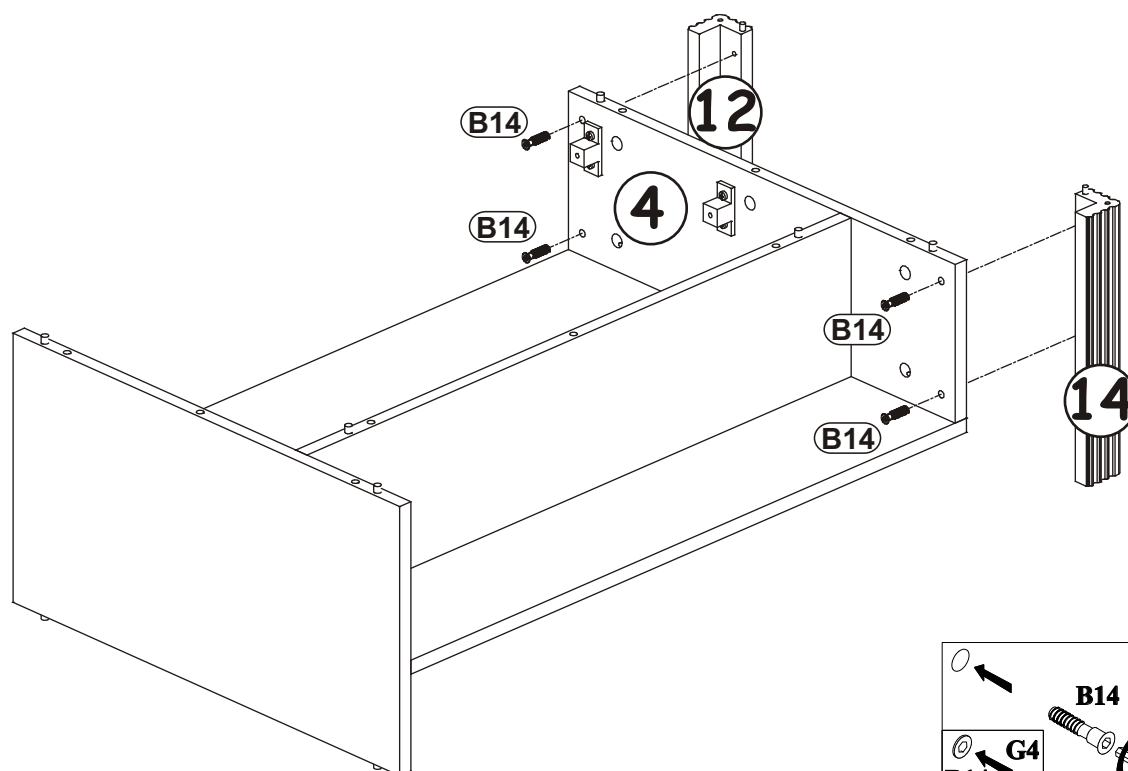
G5	
x4	

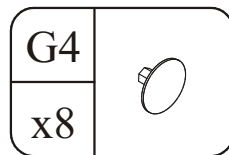
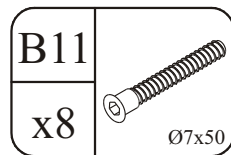


13

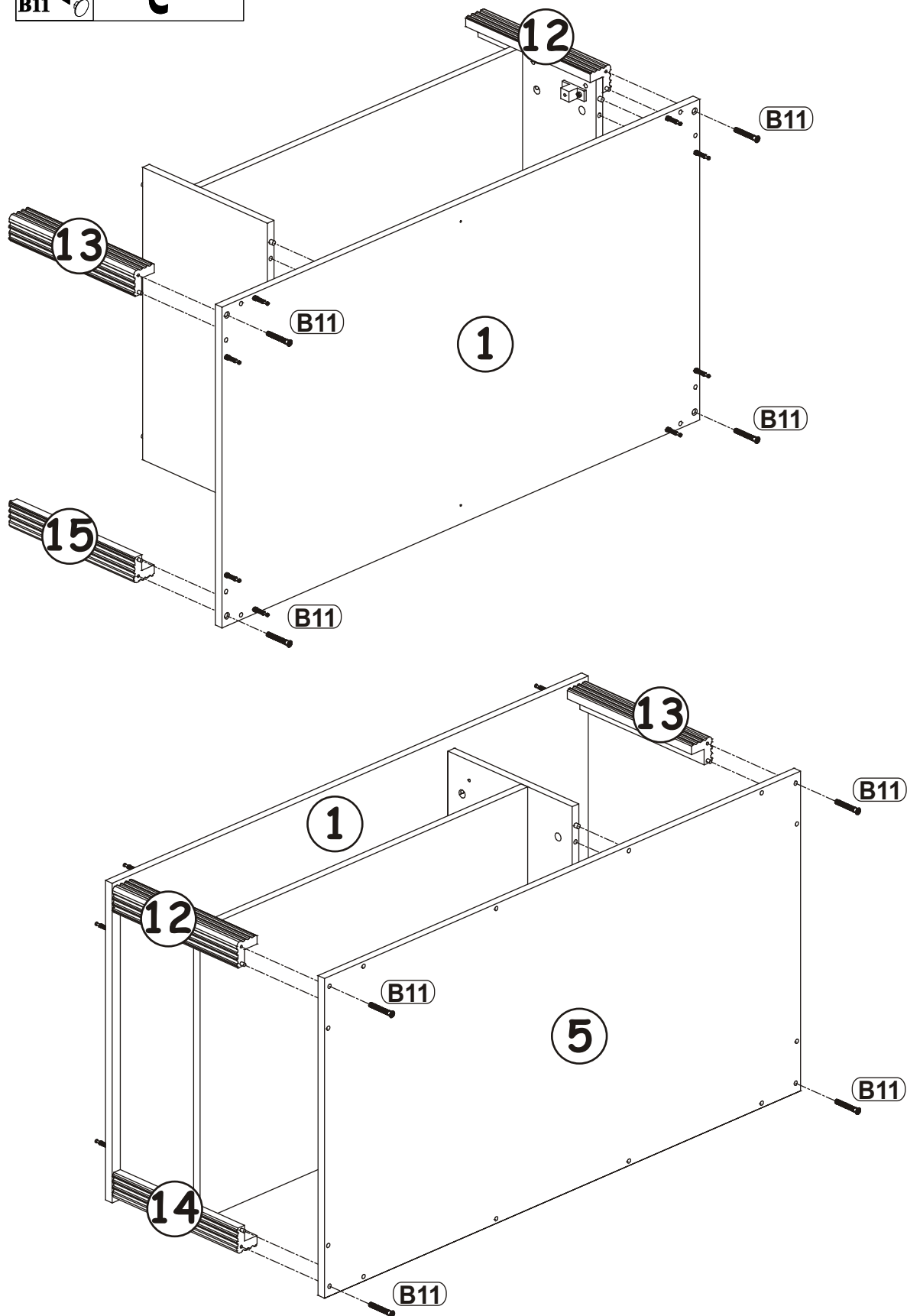
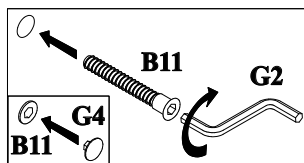
G4	
x2	

B14	
x2	Ø7x30

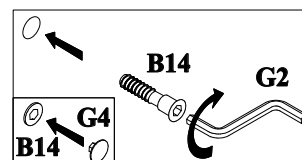
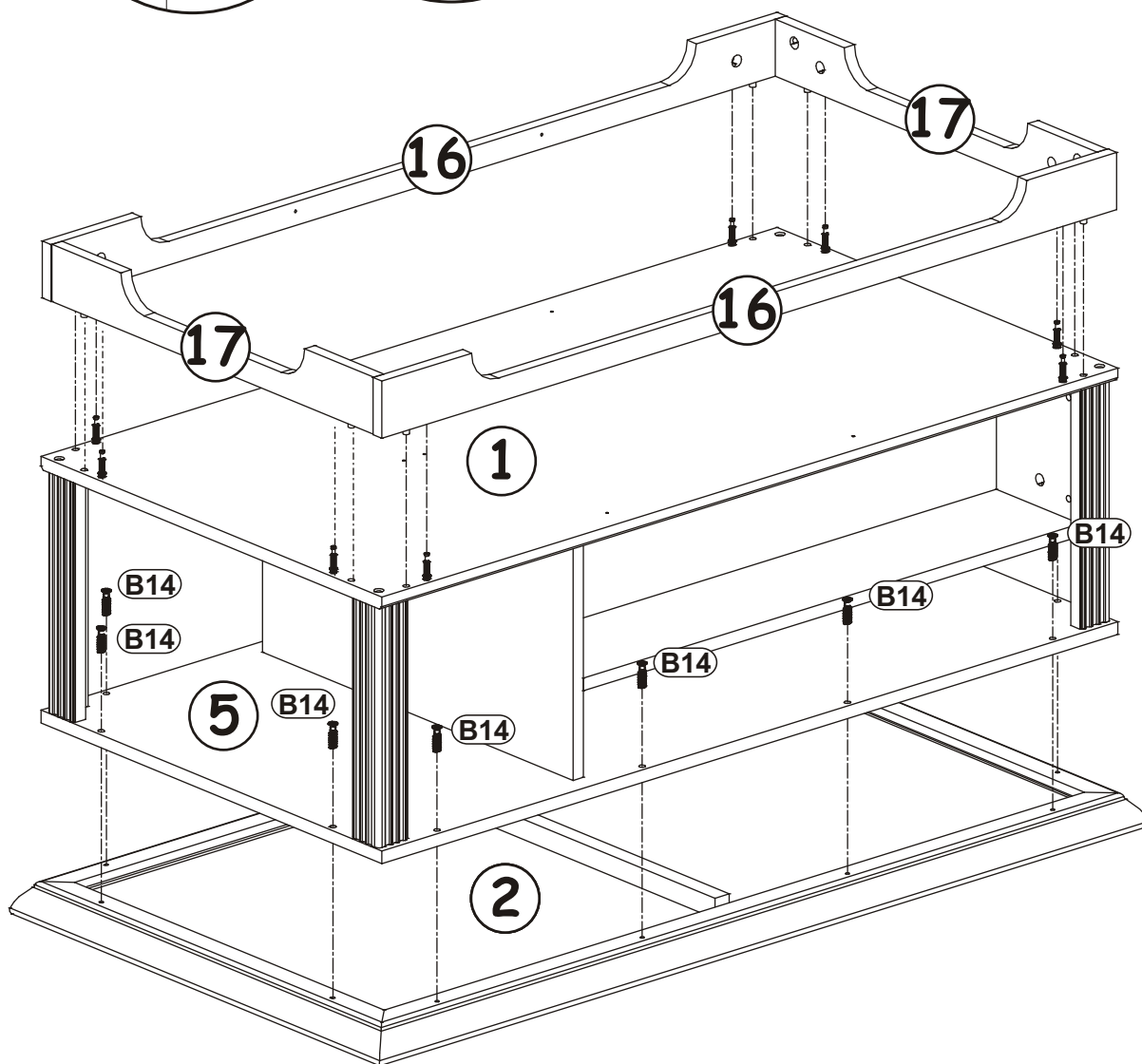
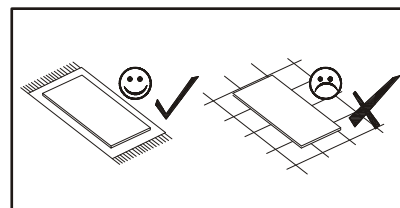
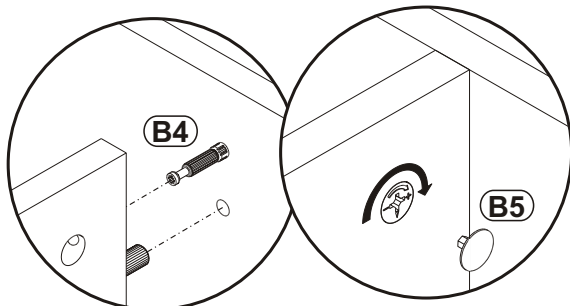
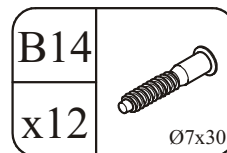
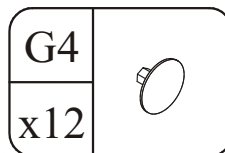
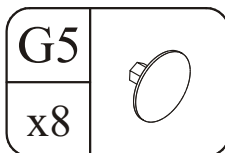




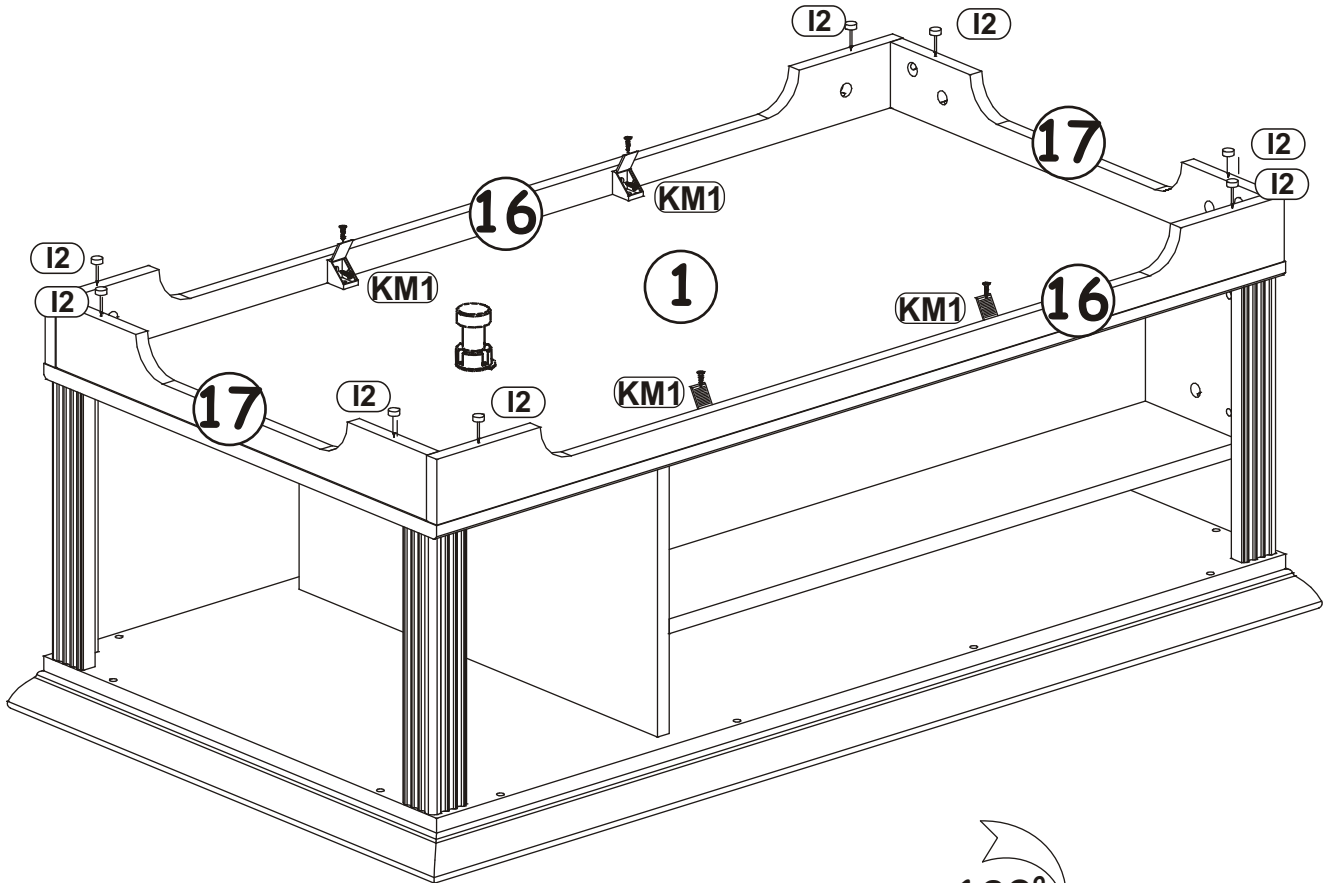
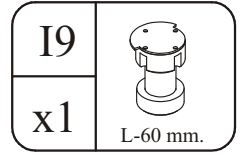
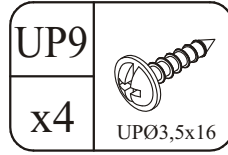
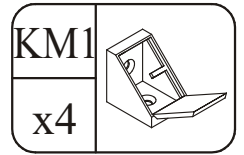
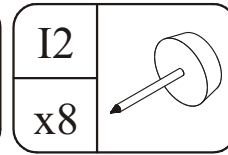
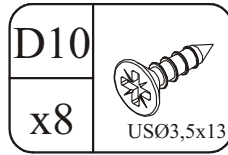
14



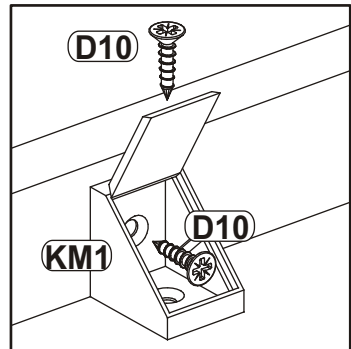
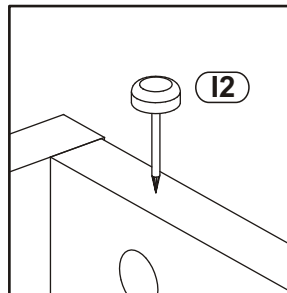
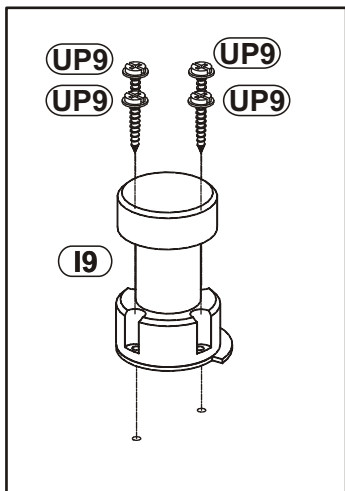
15



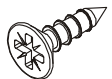
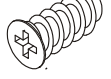

16

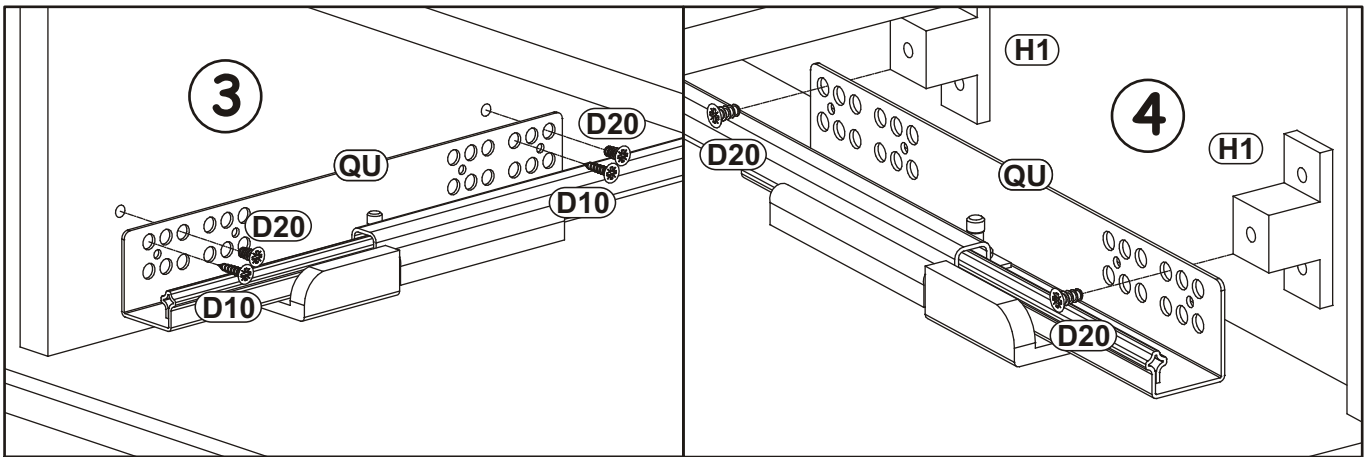
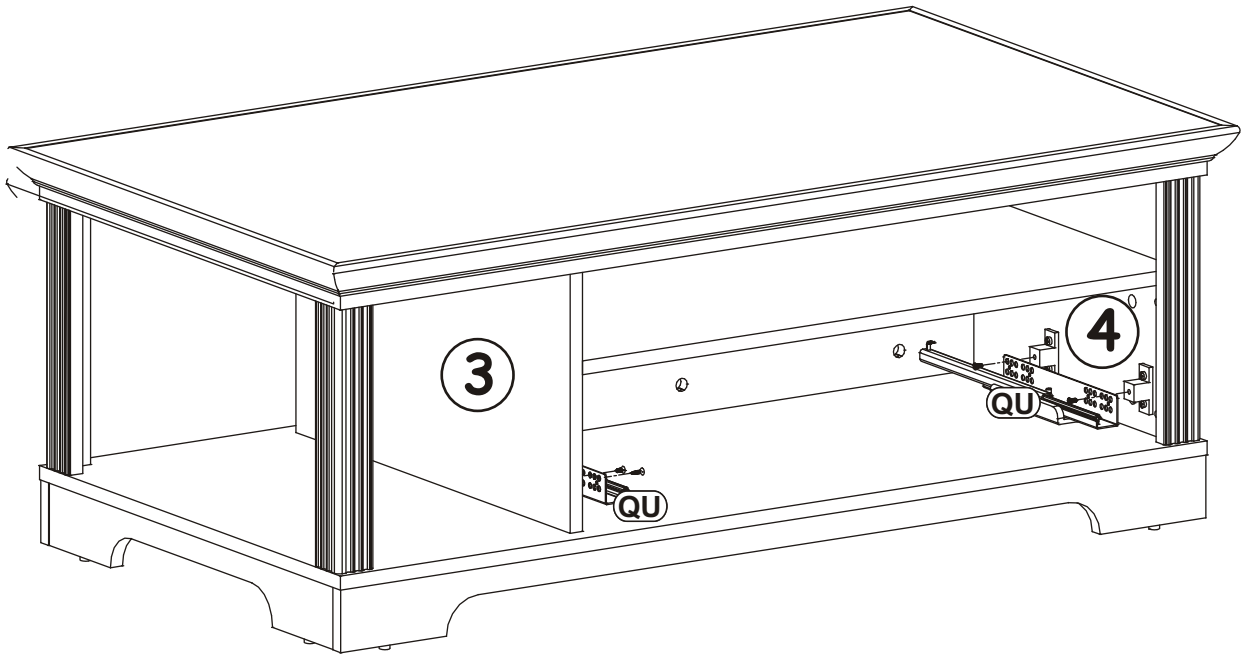


180°



17

D10		D20		QU	
x2	USØ3,5x13	x4	ESØ6,3x9,5	x1	L-350



18

