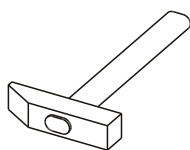
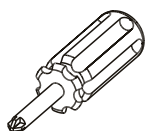
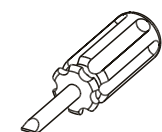
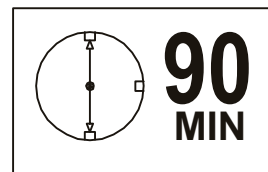
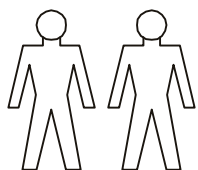
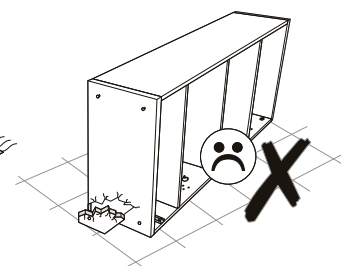
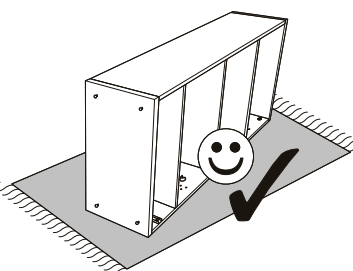
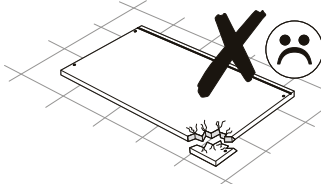
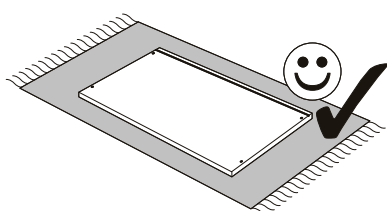
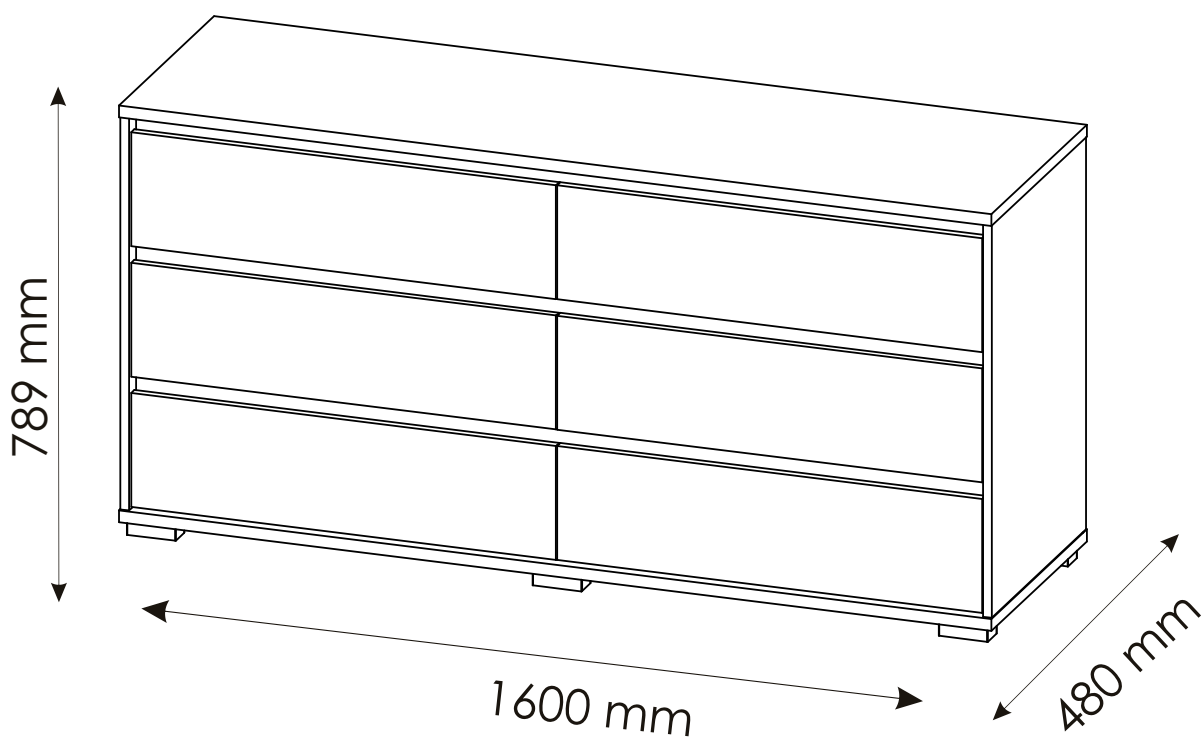



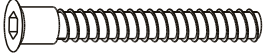

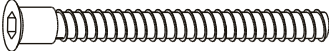









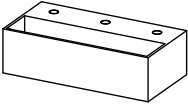

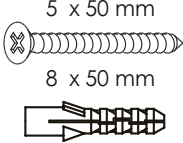
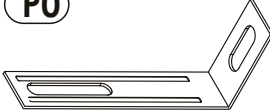

LINE 6L 1600 - KOMMODE

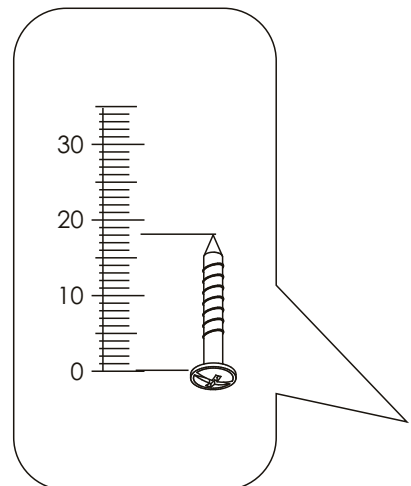
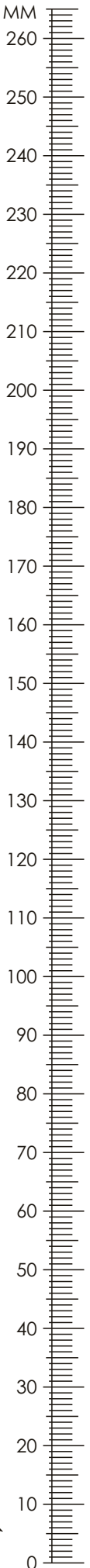


Ø5
Ø8




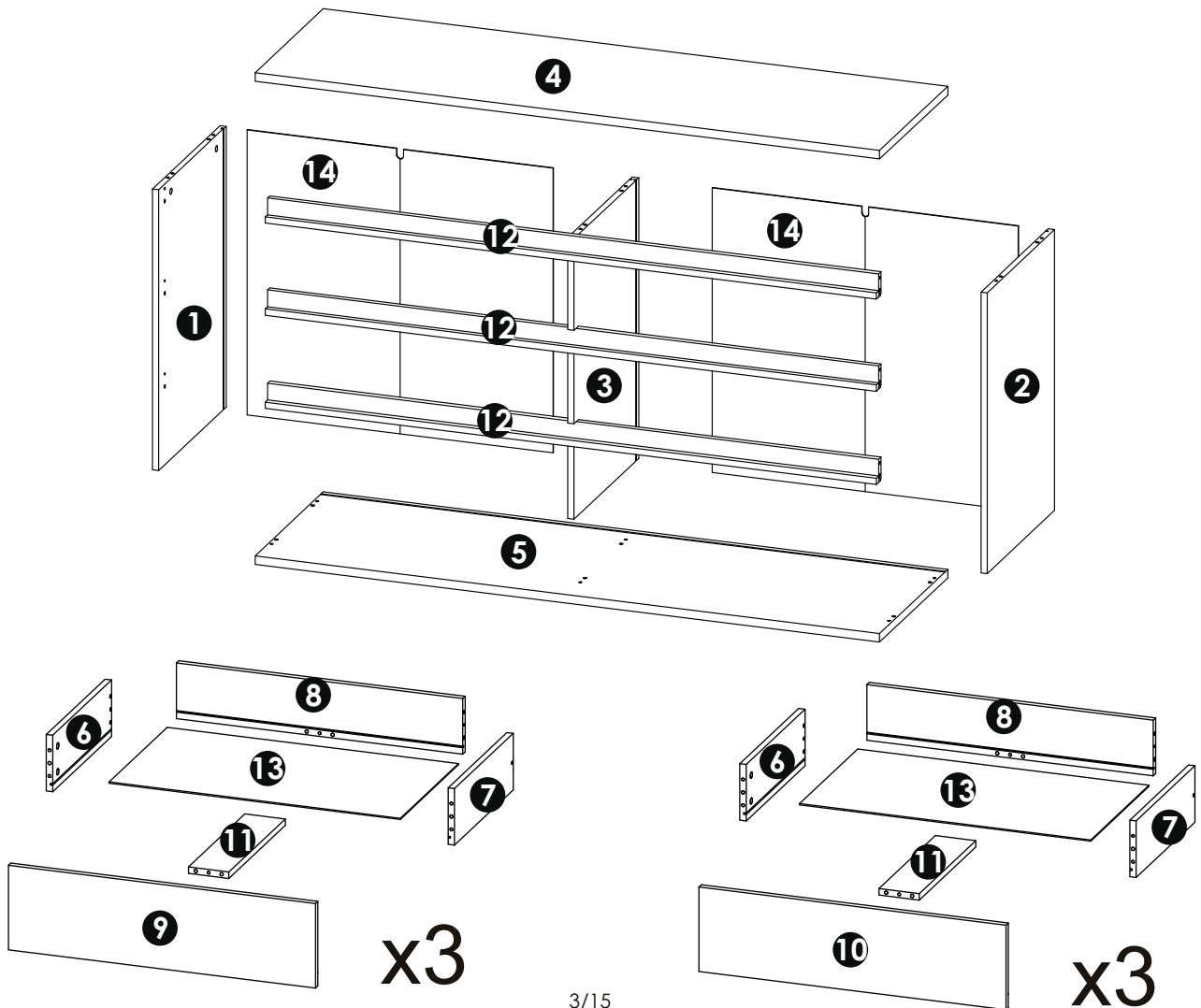
LINE 6L 1600 - KOMMODE

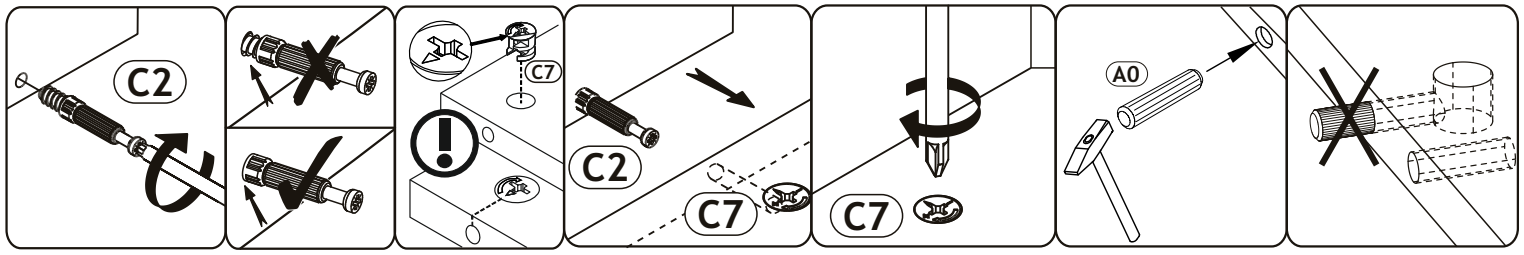
A0 8 x 30mm x78 	B1 f 7 x 50 mm x18 	C0  x24
B2 f 7 x 70 mm x6 	C2  x42	C7 16mm  x42
D0 3 x 15 mm x56 	D21 5 x 13 mm x26 	D5 3,5 x 16 mm x36 
D14 4 x 35 mm x18 	K 4mm  x1	M1  x56
N2 L-400 x6 	T2  x6	U0  x12
E0 5 x 50 mm 8 x 50 mm x2 	P0  x2	D20 5 x 9 mm x24 








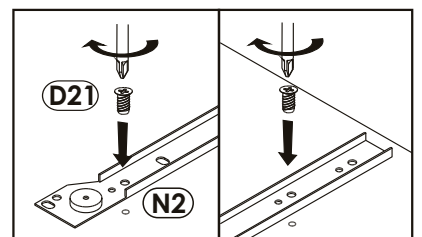
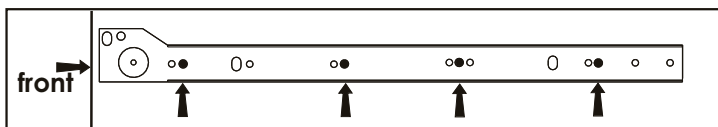
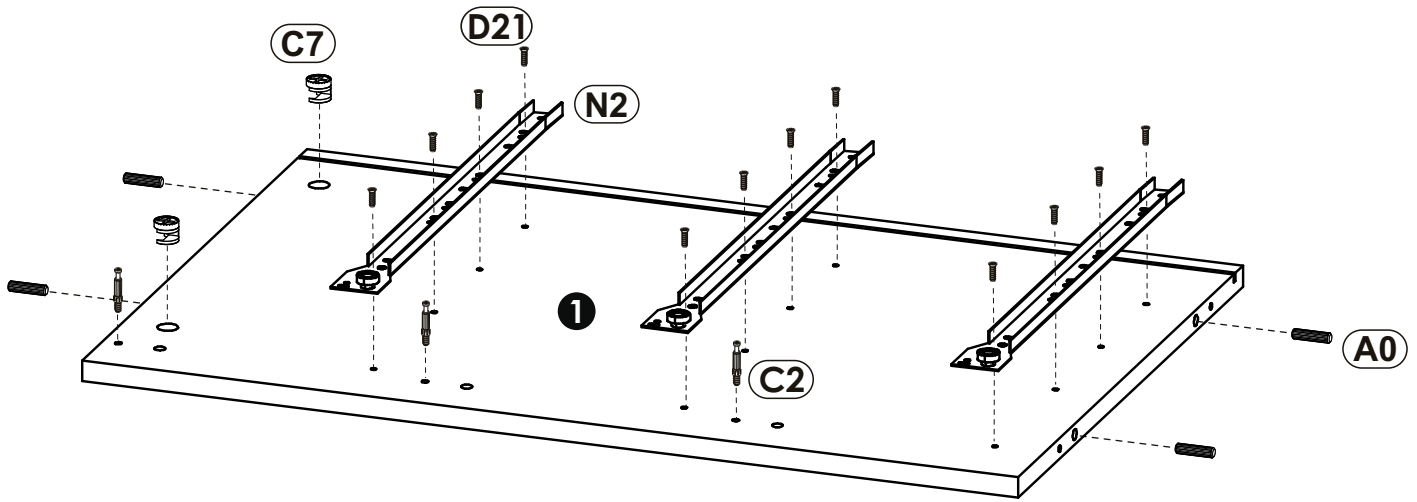
LINE 6L 1600 - KOMMODE

1	720	475	16	1	2/3
2	720	475	16	1	2/3
3	720	456	16	1	2/3
4	1600	480	22	1	1/3
5	1600	480	22	1	1/3
6	400	140	16	6	2/3
7	400	140	16	6	2/3
8	718	138	16	6	3/3
9	779	209	16	3	3/3
10	779	209	16	3	3/3
11	384	100	16	6	2/3
12	1566	59	32	3	1/3
13	728	394	3	6	3/3
14	730	784	3	2	3/3
15					2/3








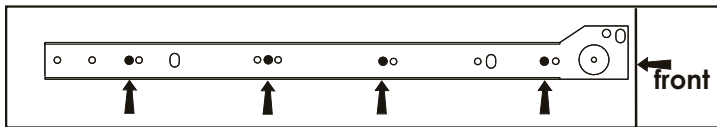
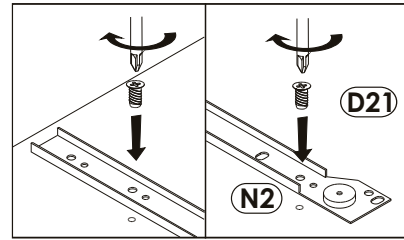
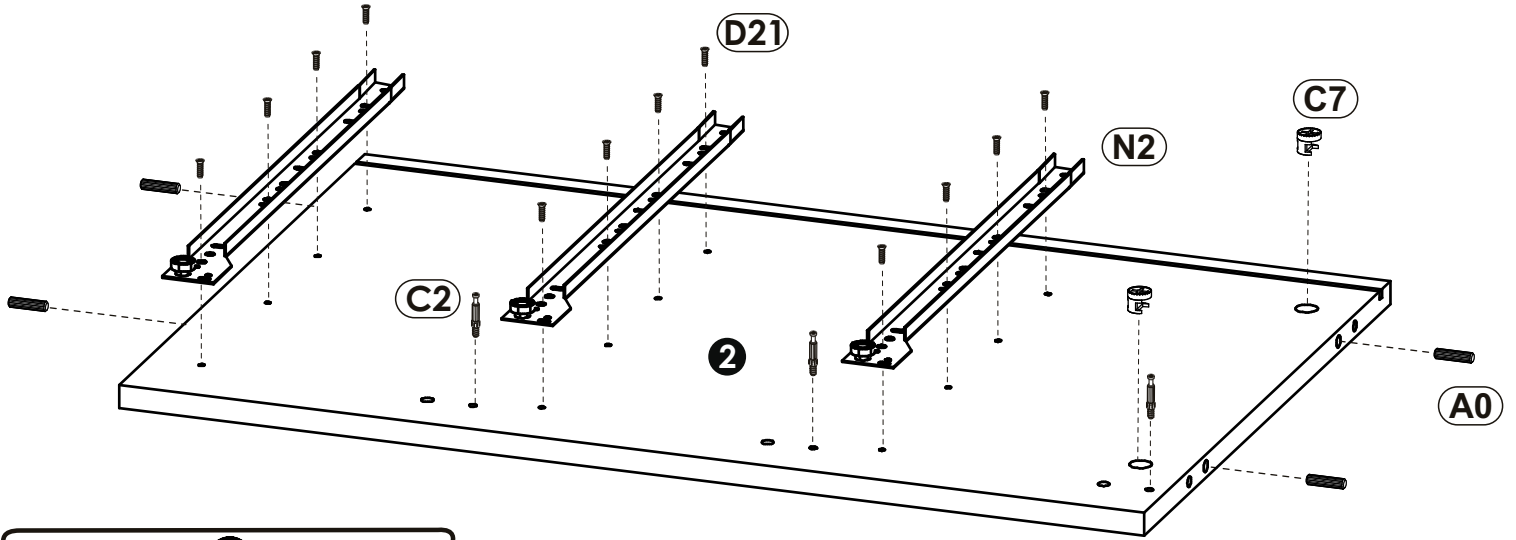


1 ▶	A0 8 x 30mm x4	C7 16mm x2	C2 x3
			
	D21 5 x 13 mm x12	N2 L-400 x3	
			

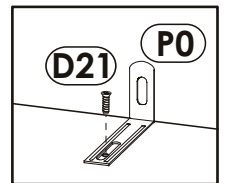
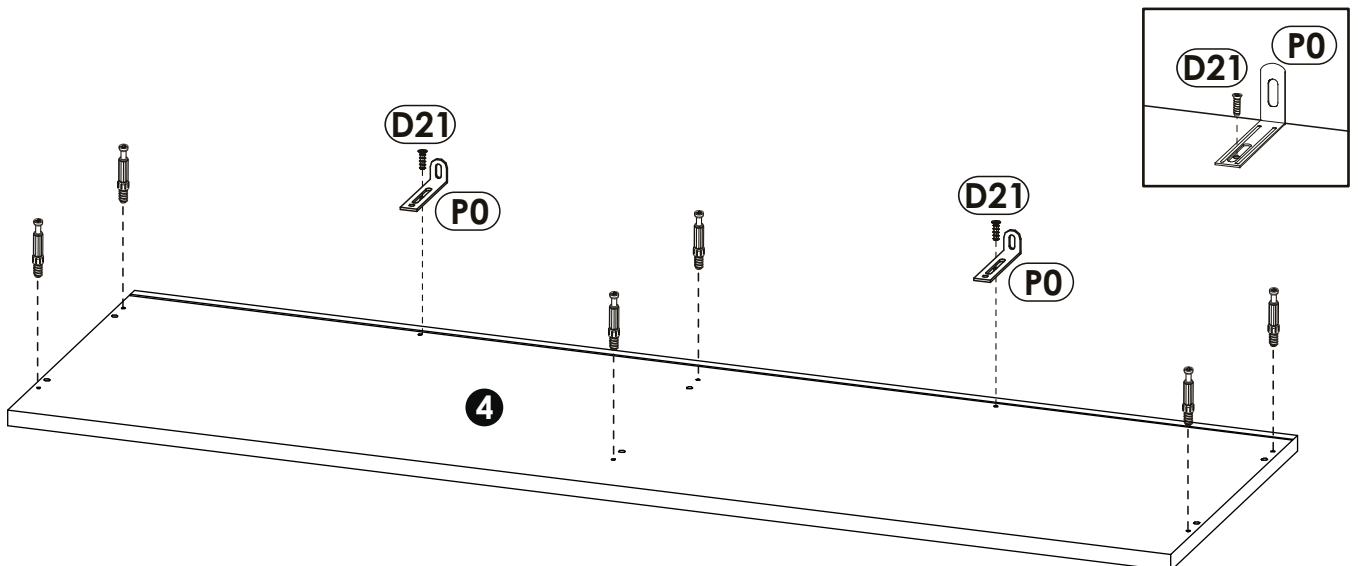


2





A0 8 x 30mm 	x4	C7 16mm 	x2	C2 	x3
D21 5 x 13 mm 	x12	N2 L-400 	x3		

**3**

C2 	x6	D21 5 x 13 mm 	x2	P0 	x2
--	-----------	--	-----------	--	-----------



4

A0 8 x 30mm  x4	C7 16mm  x2	N2 L-400  x3
D20 5 x 9 mm  x24		

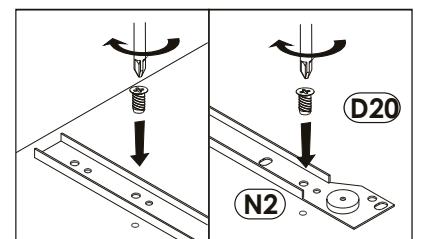
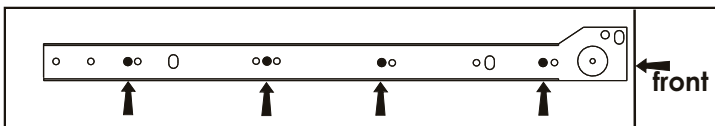
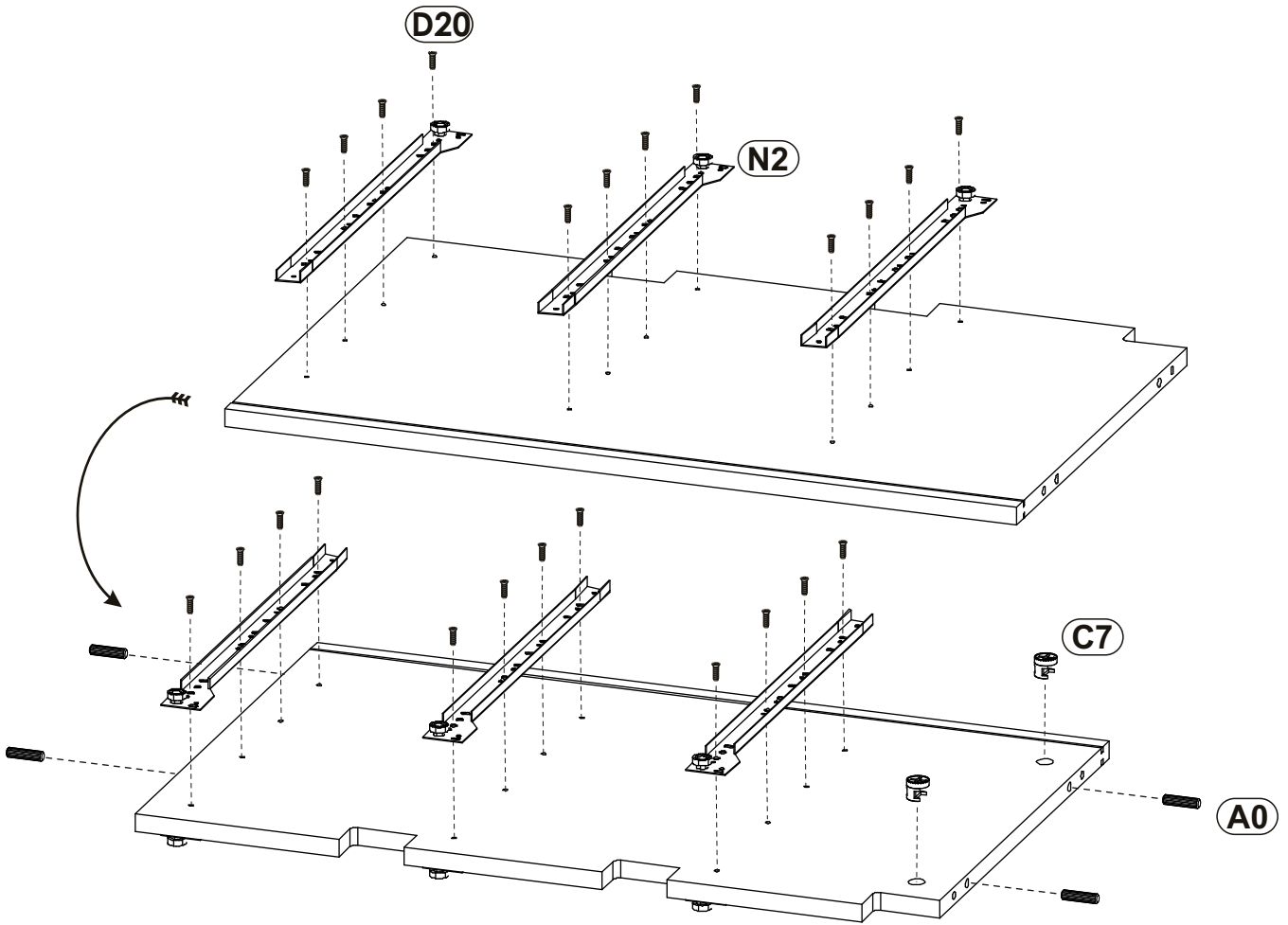
D21 5 x 13 mm

13 mm

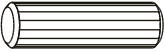



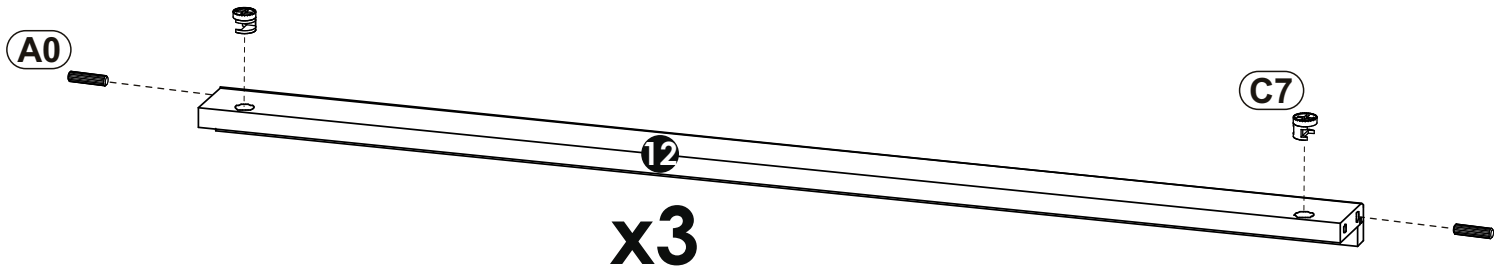
D20 5 x 9 mm

9 mm




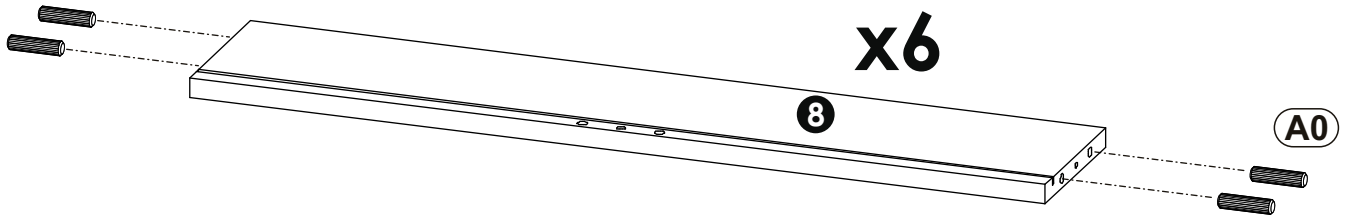
5 ▶

A0	8 x 30mm	x6	C7	x6
				
			16mm	





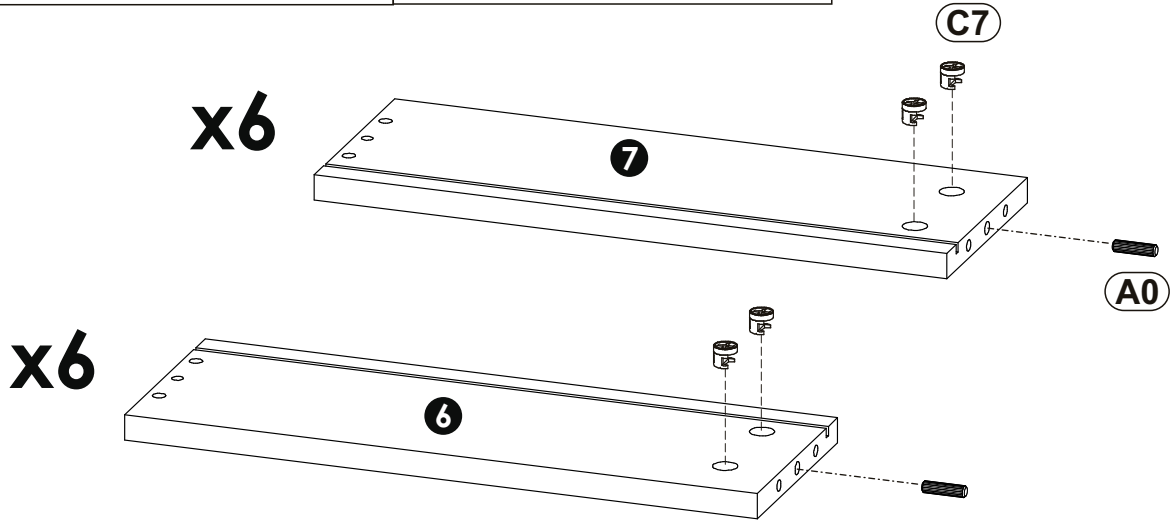
6 ▶

A0	8 x 30mm	x24
		





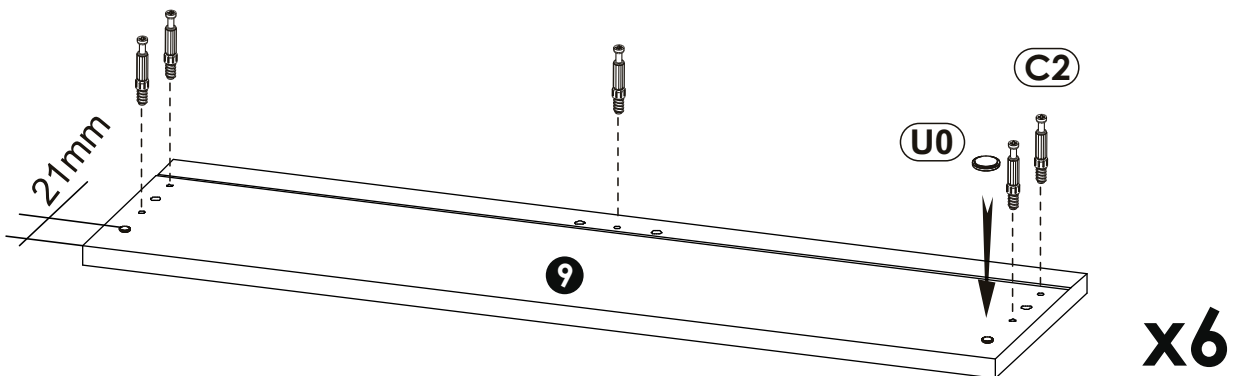
7▶

(A0) 8 x 30mm 	x12	(C7) 16mm 	x24
--	------------	--	------------

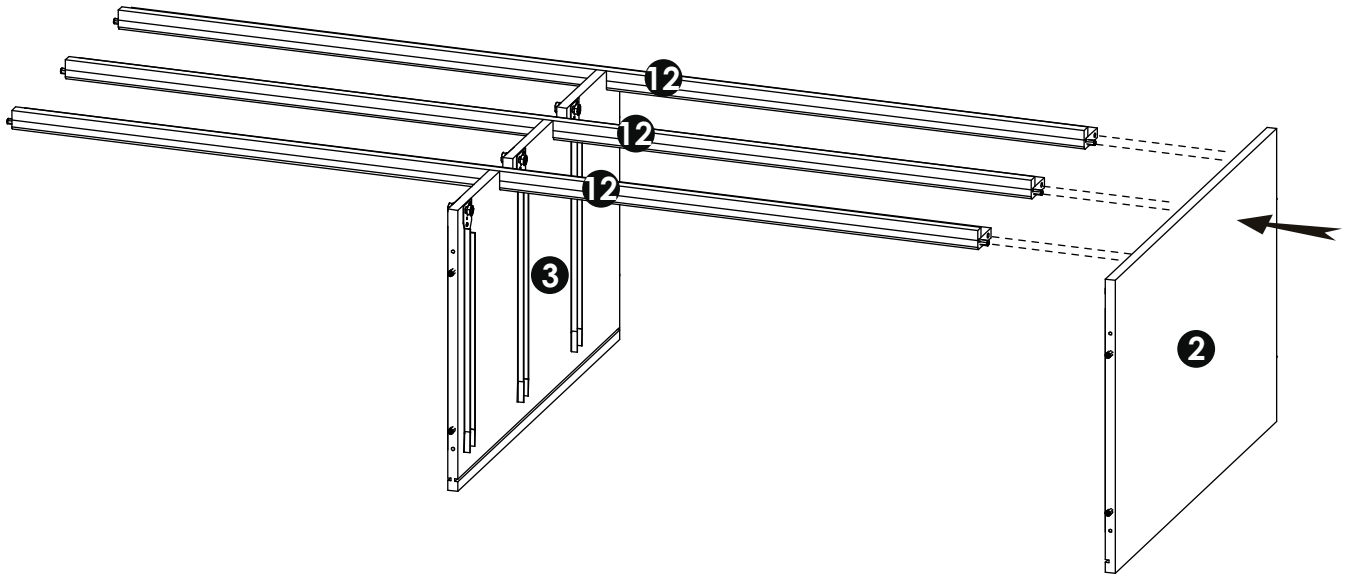


8▶

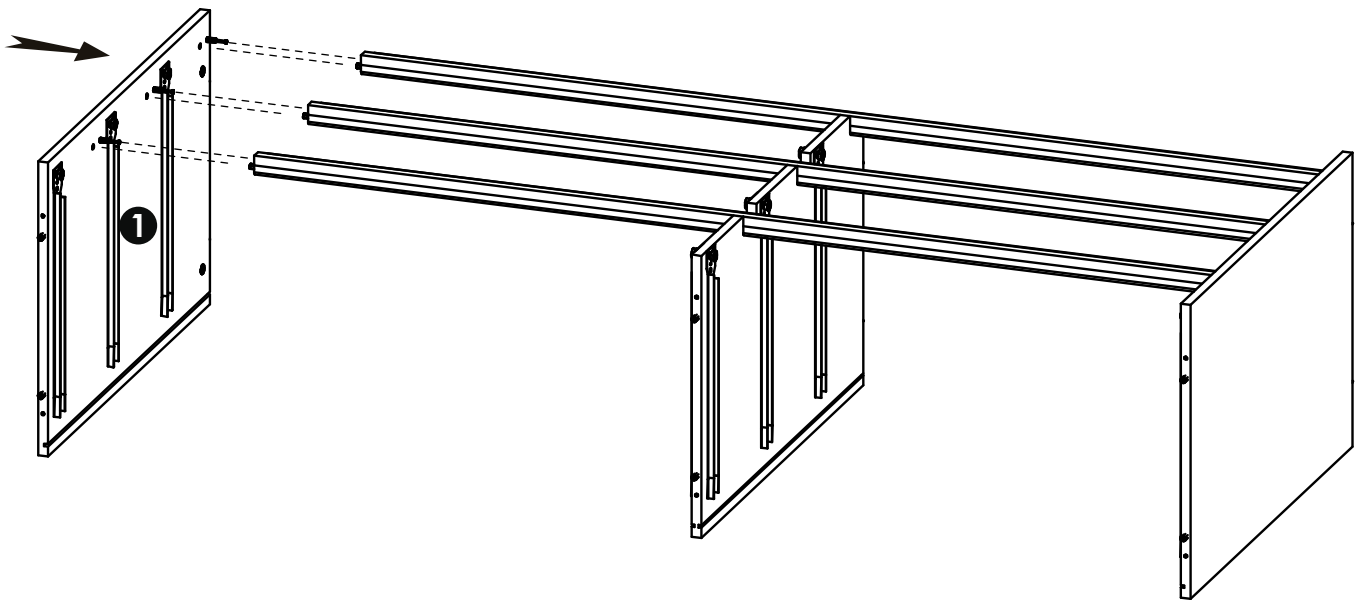
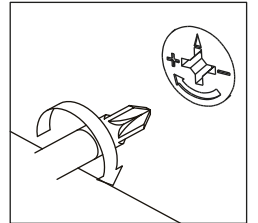
(C2) 	x30	(U0) 	x12
--	------------	--	------------



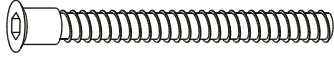
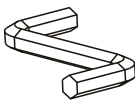
9 ▶

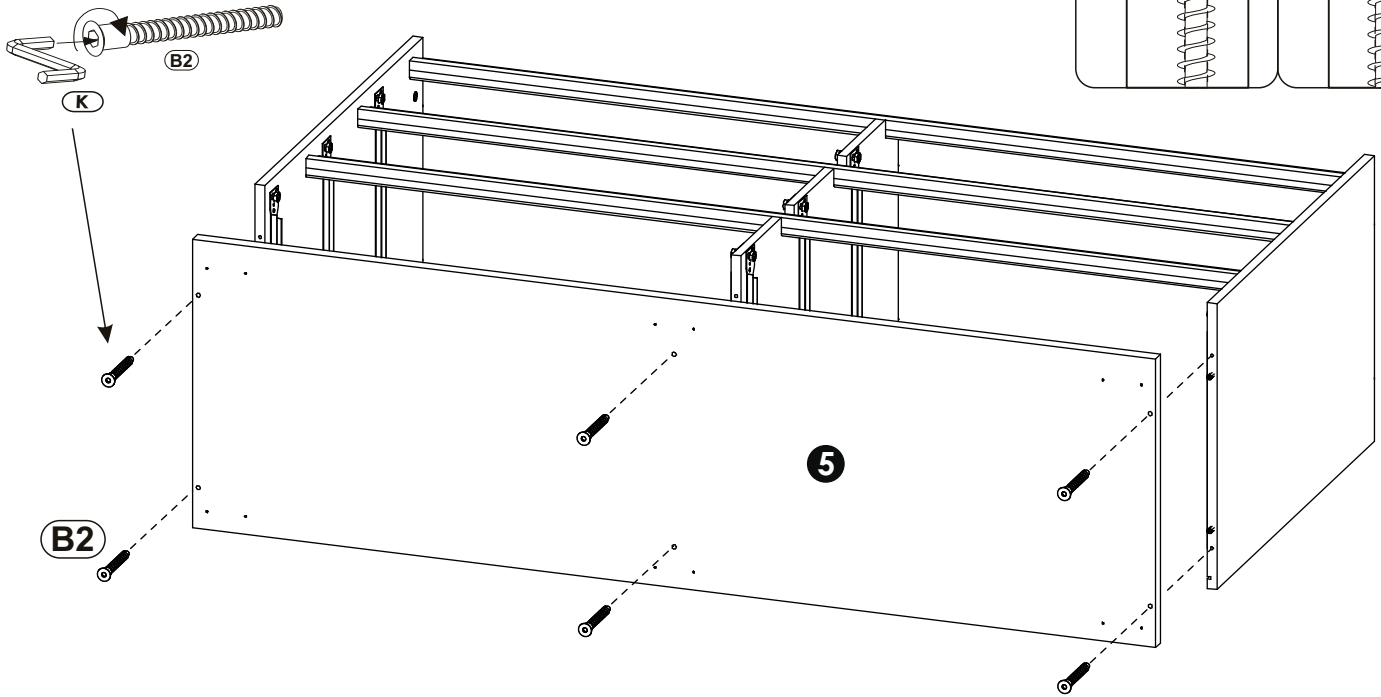
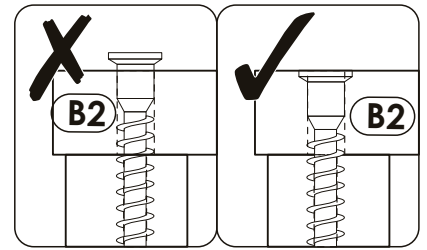


10 ▶


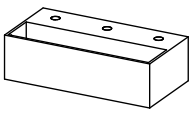


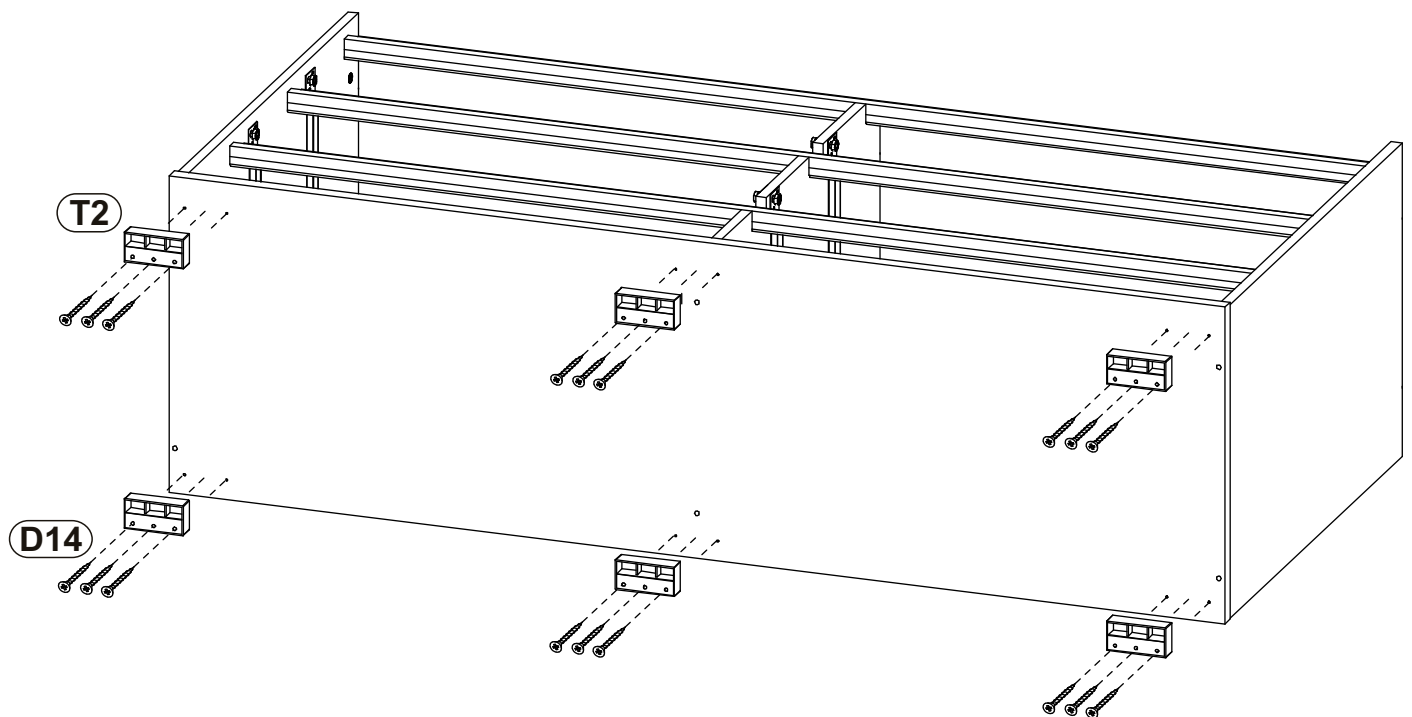
11▶

B2	f 7 x 70 mm	x6	K		x1
				4mm	

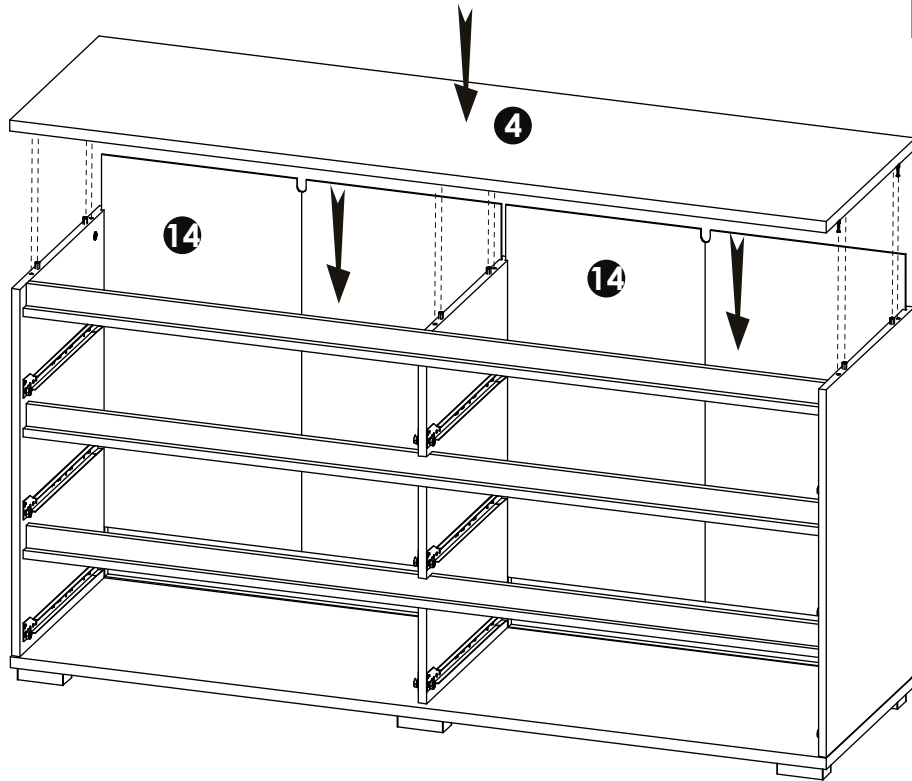
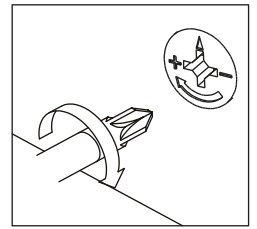


12▶



D14	4 x 35 mm	x18	T2		x6
					

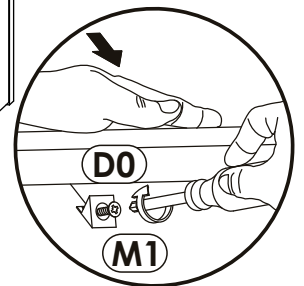
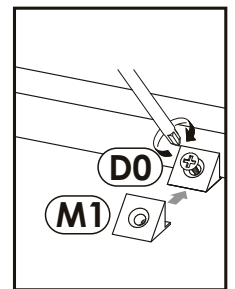
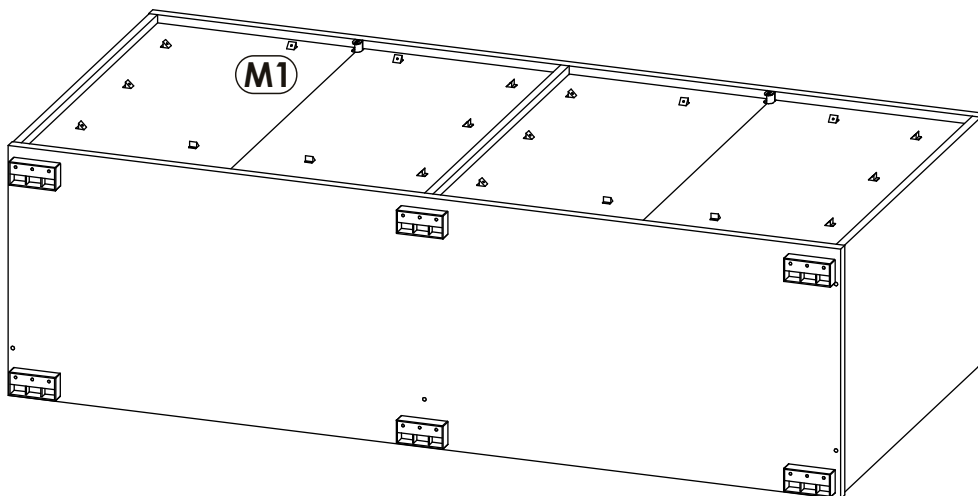
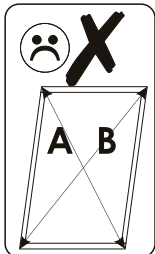
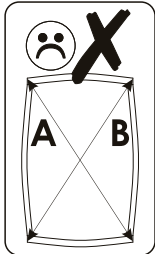
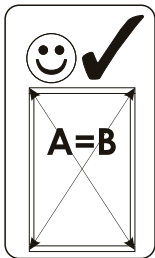


13▶

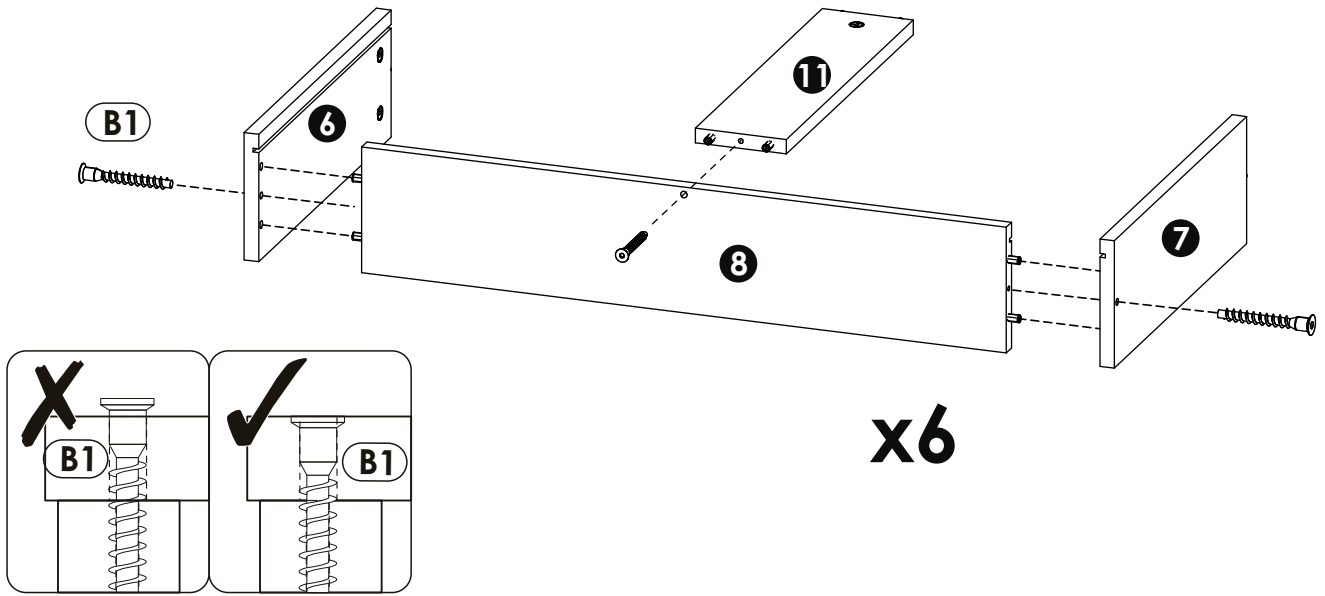
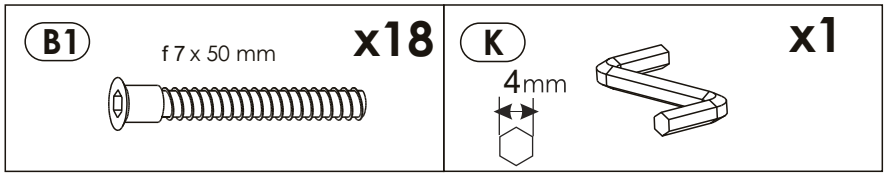


14▶

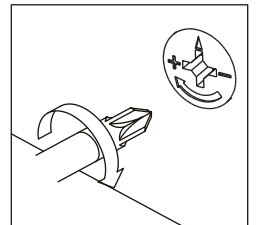
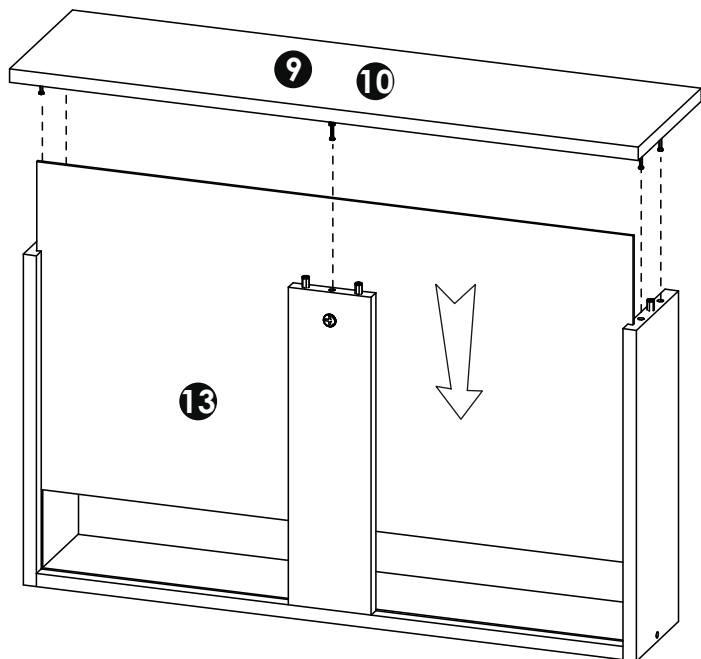
<p>(D0) 3 x 15 mm x20</p> 	<p>(M1) x20</p> 
---	---




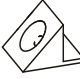
15▶

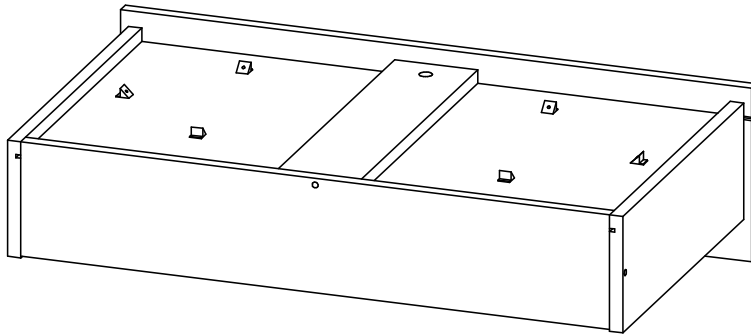
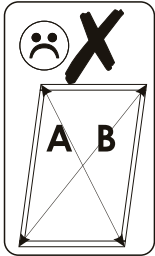
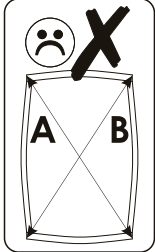
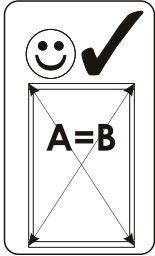


16▶

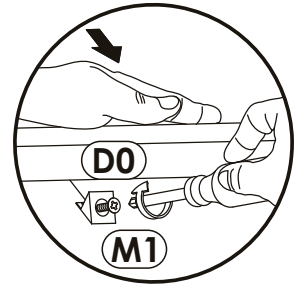
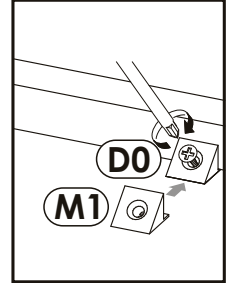


17▶


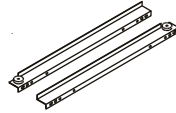
(D0) 3 x 15 mm 	x36	(M1) 	x36
---	------------	--	------------

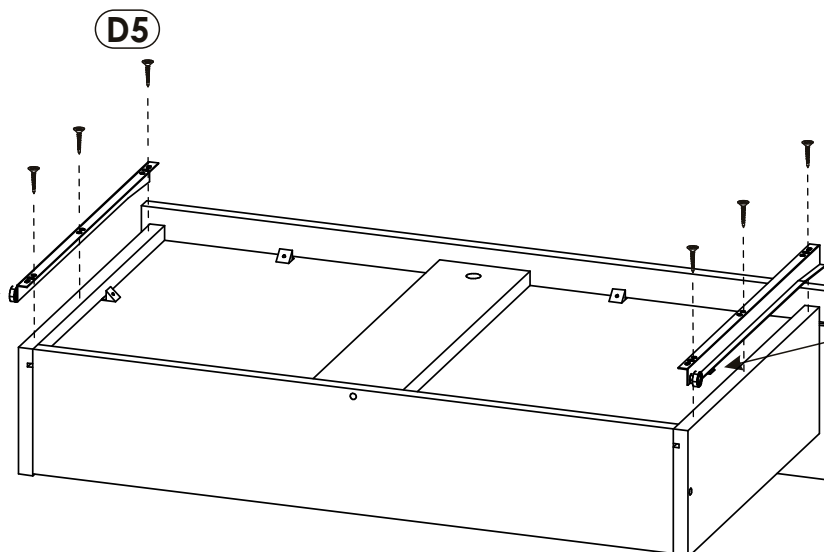
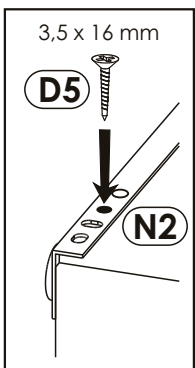


x6

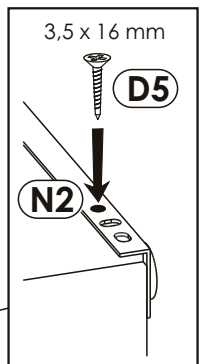


18▶

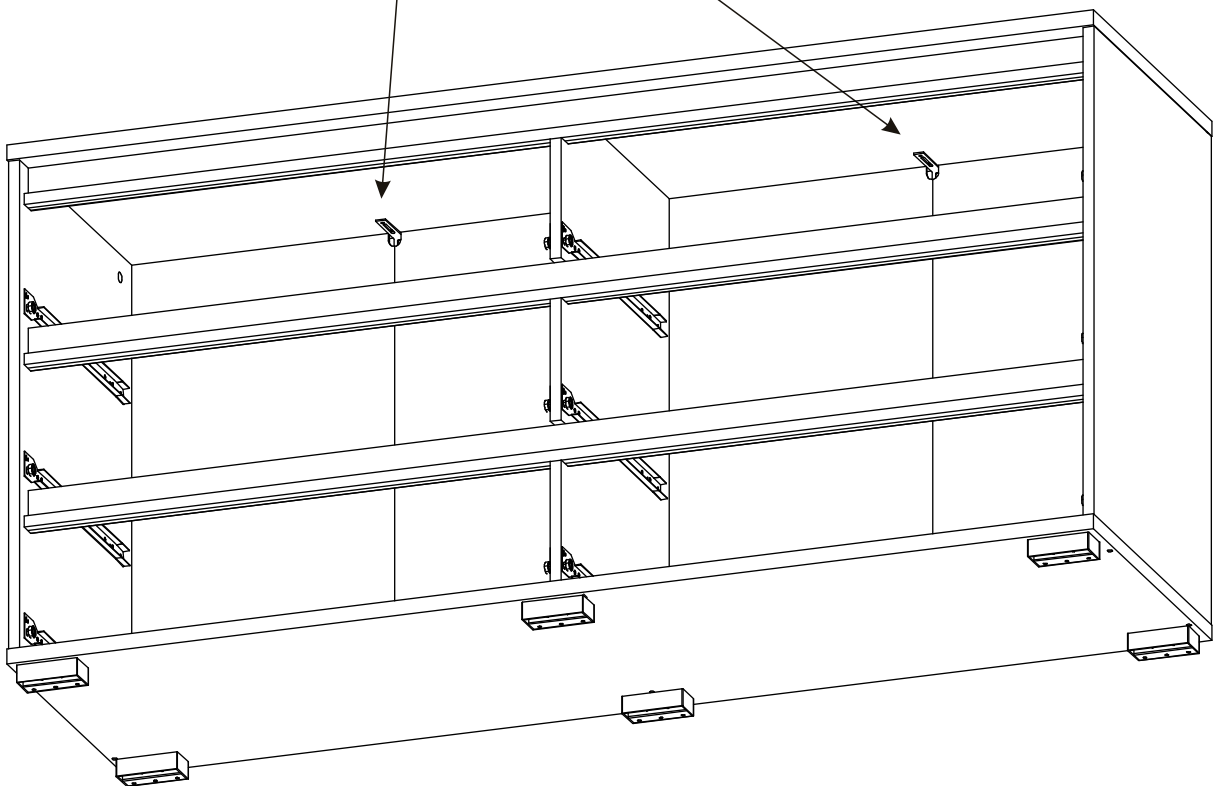
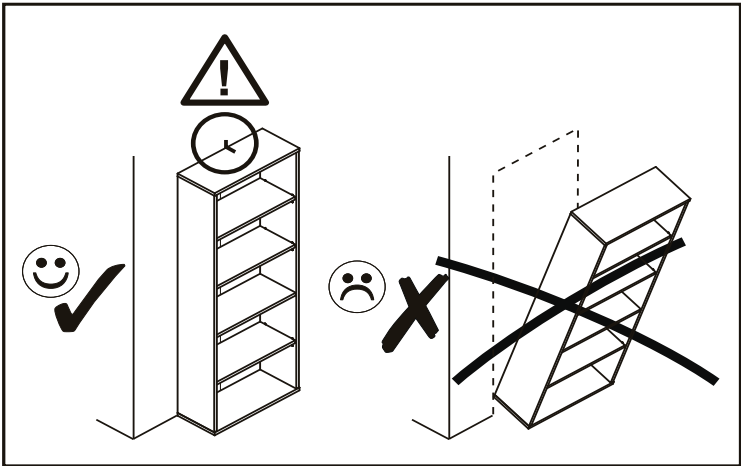
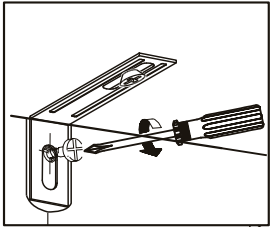
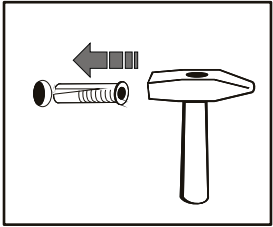
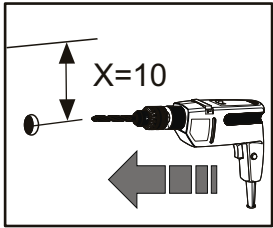
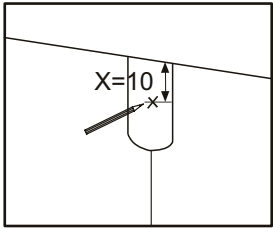
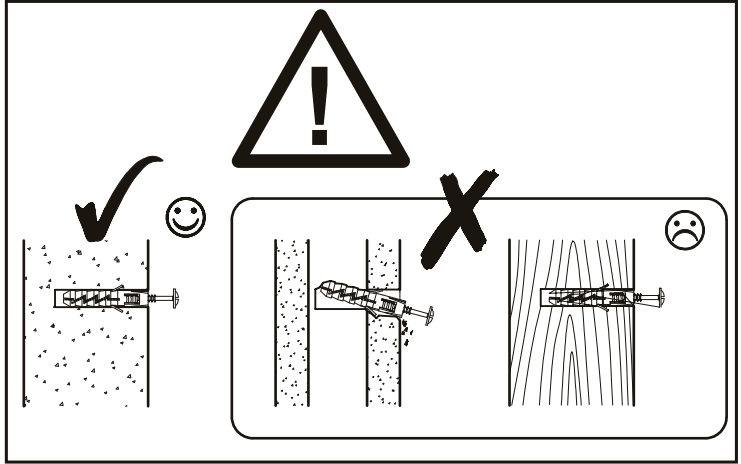
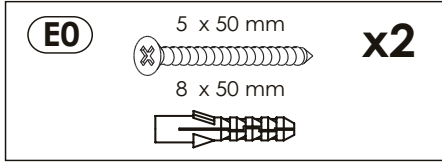
(D5) 3.5 x 16 mm 	x36	(N2) L-400 	x6
---	------------	---	-----------



x6



19▶



20▶

