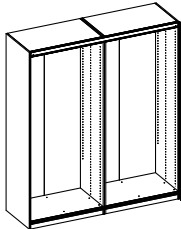
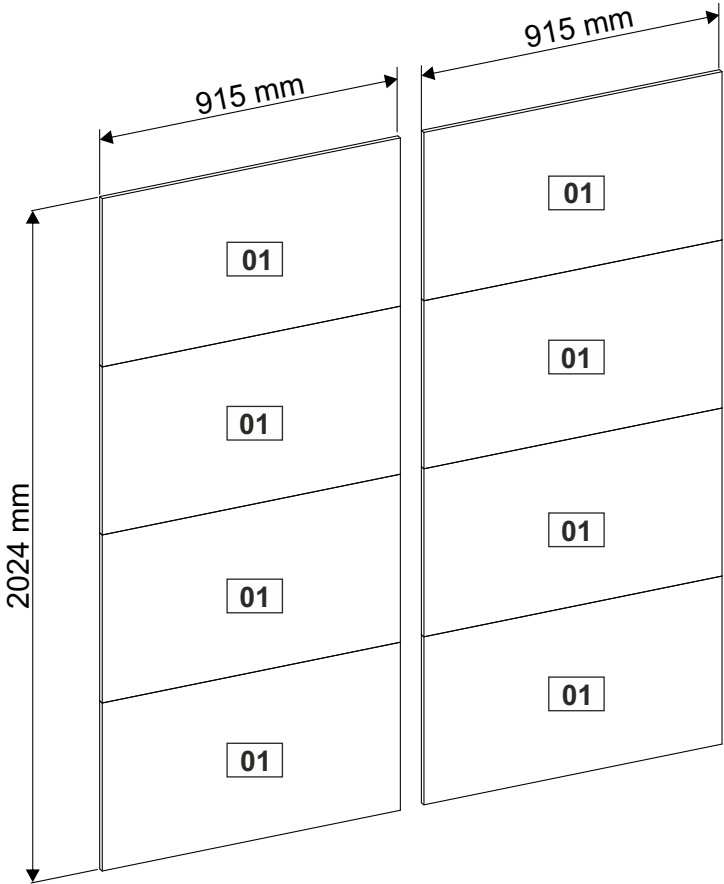
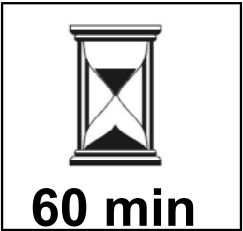
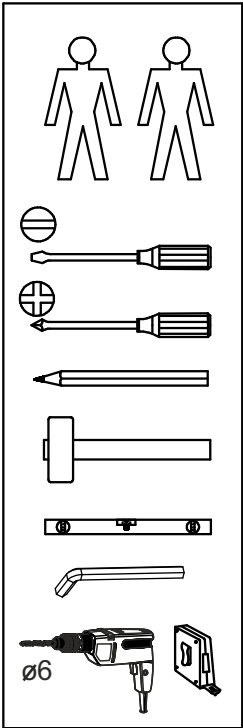
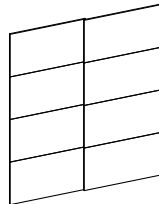


UNIT 1800/2024

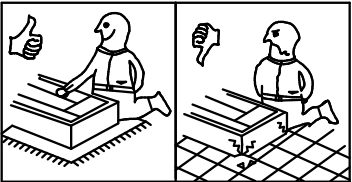
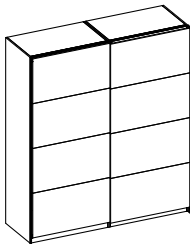
01	915x506x16	1/1
----	------------	-----



+

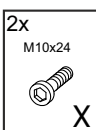
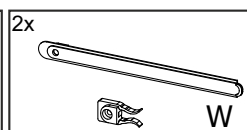
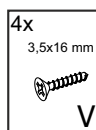
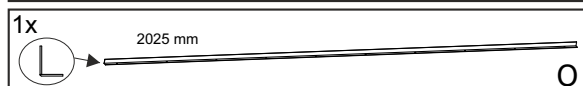
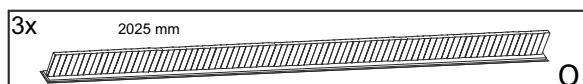
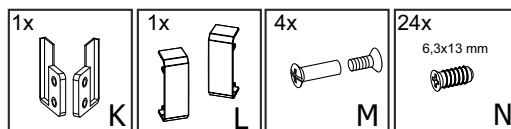
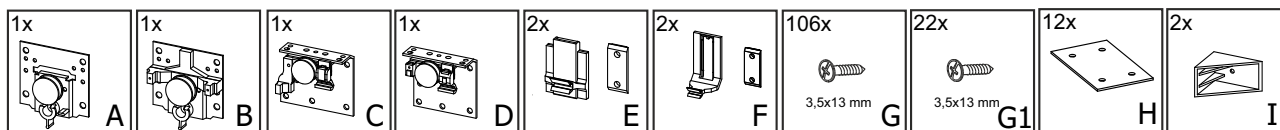


=

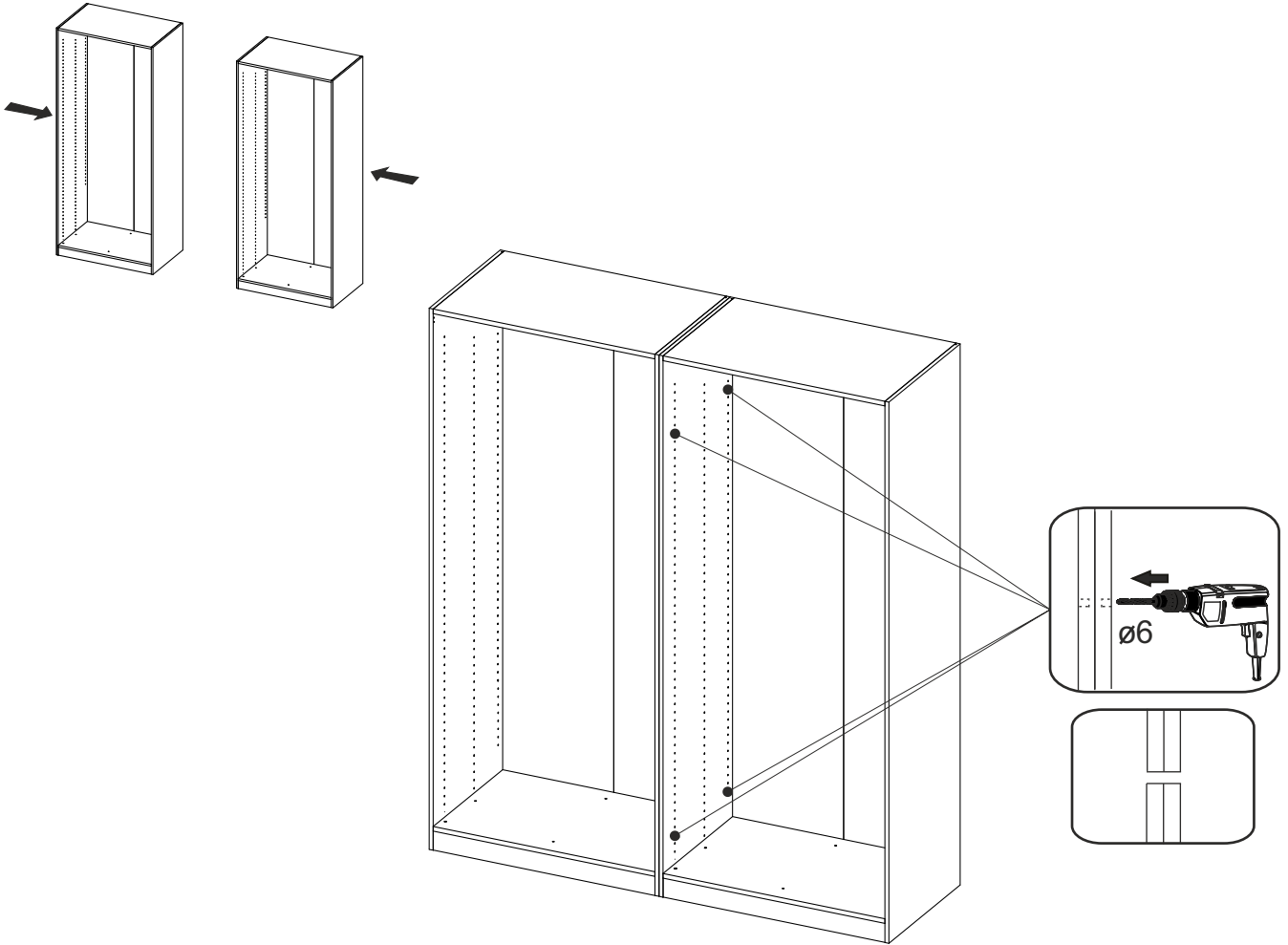


UNIT 1800/2024

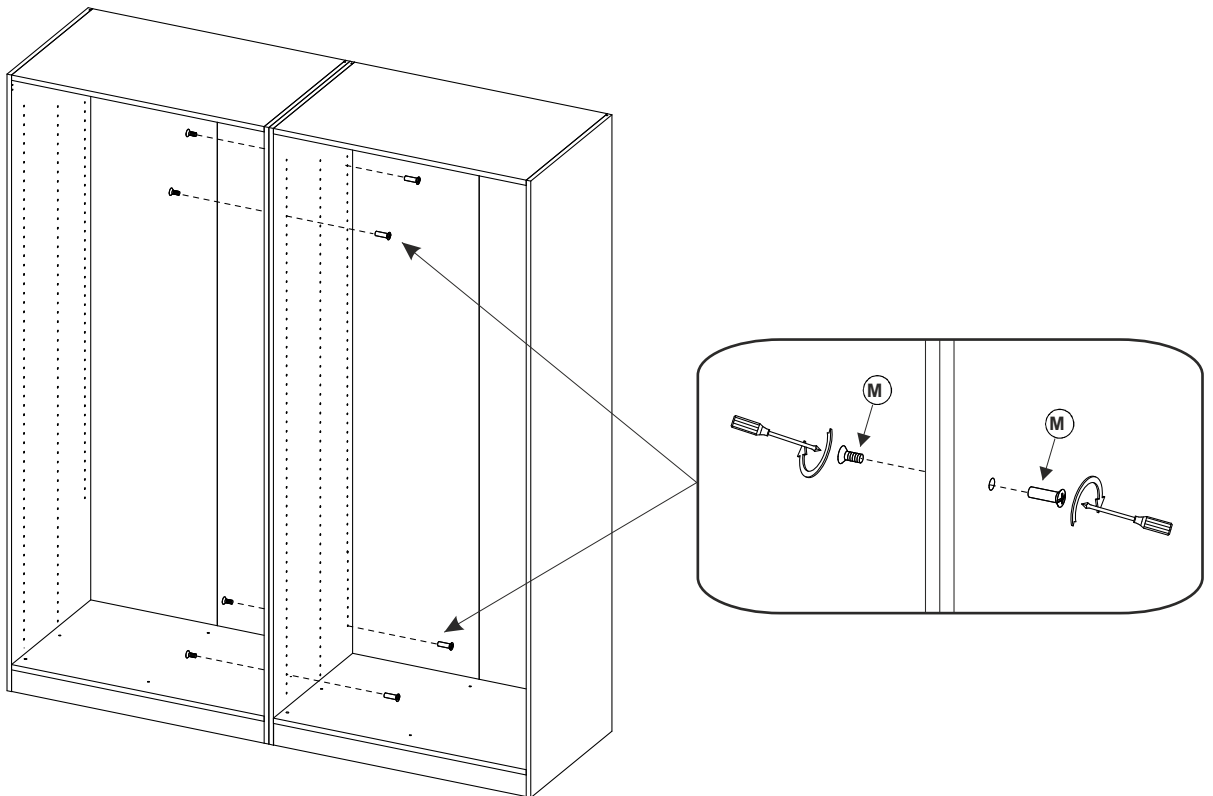
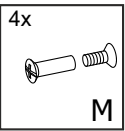
C 1/1



1

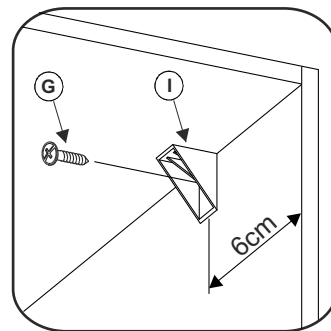
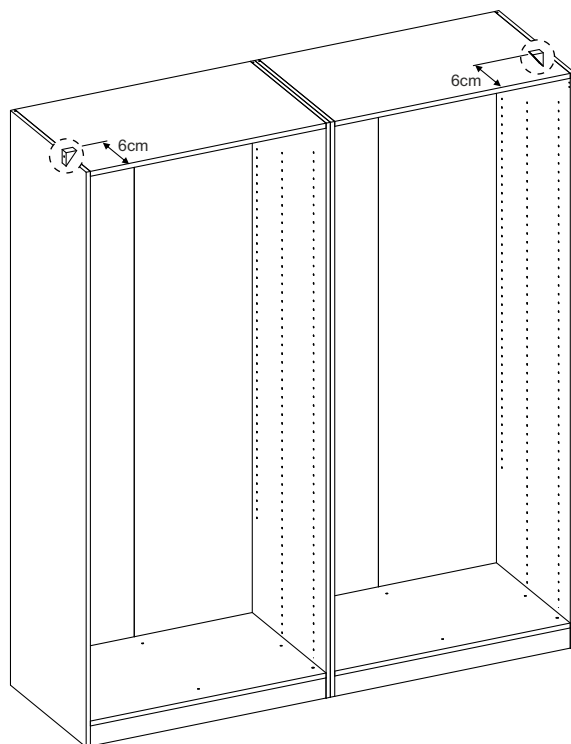
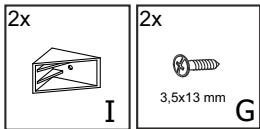


2

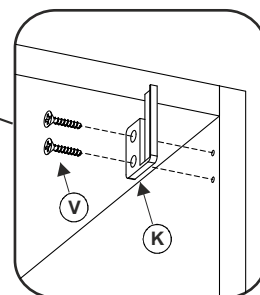
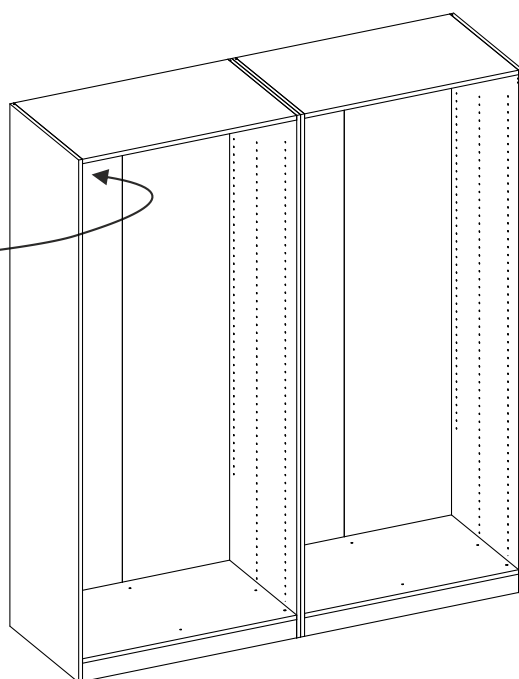
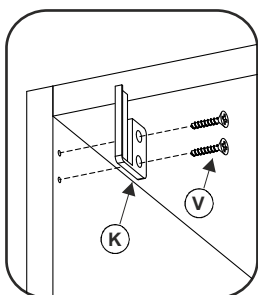
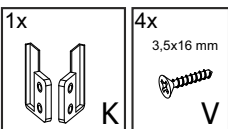


UNIT 1800/2024

3



4

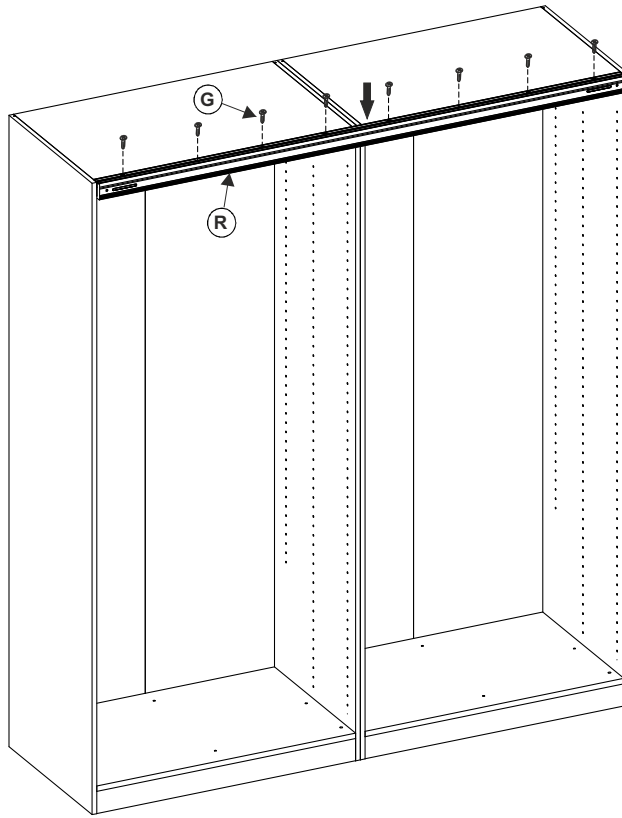
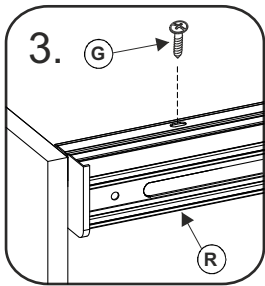
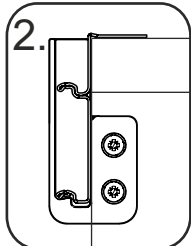
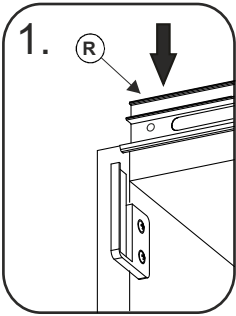


UNIT 1800/2024

5

8x
3,5x13 mm
G

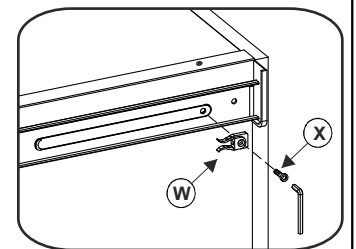
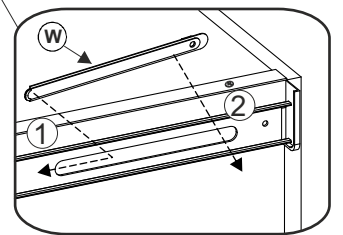
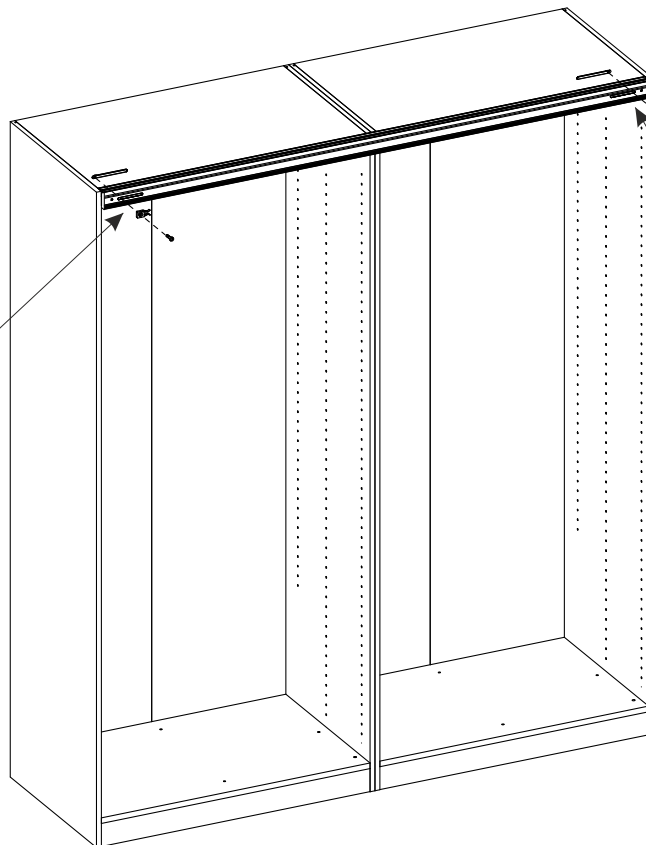
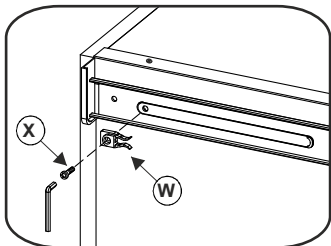
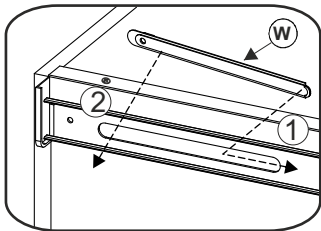
1x 2025 mm
R

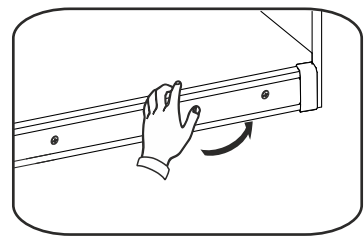
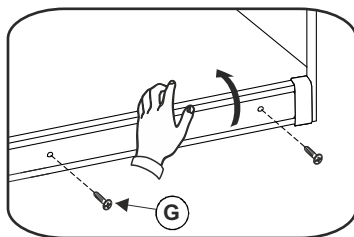
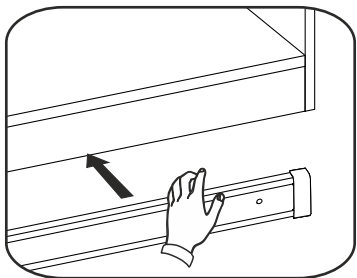
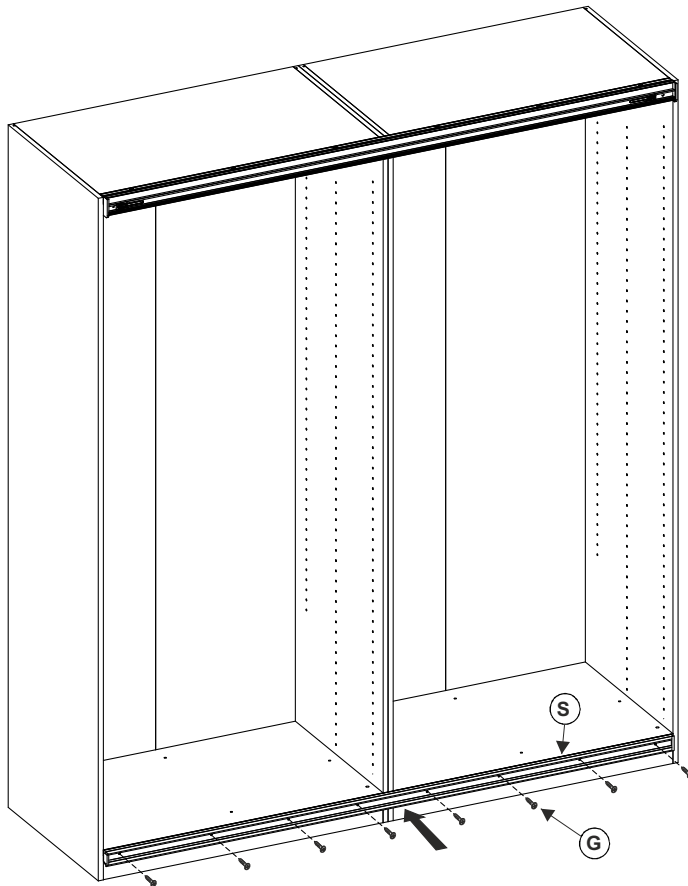
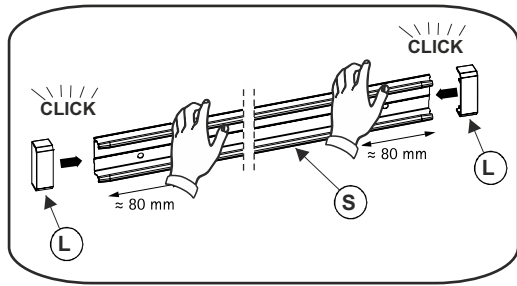
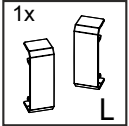


2x
W

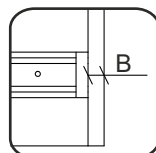
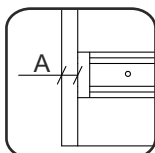
2x
M10x24
X

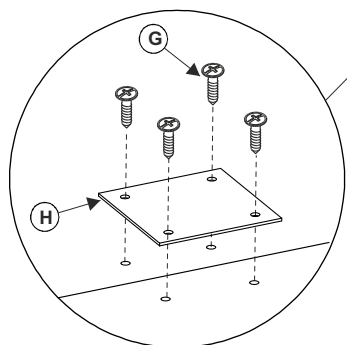
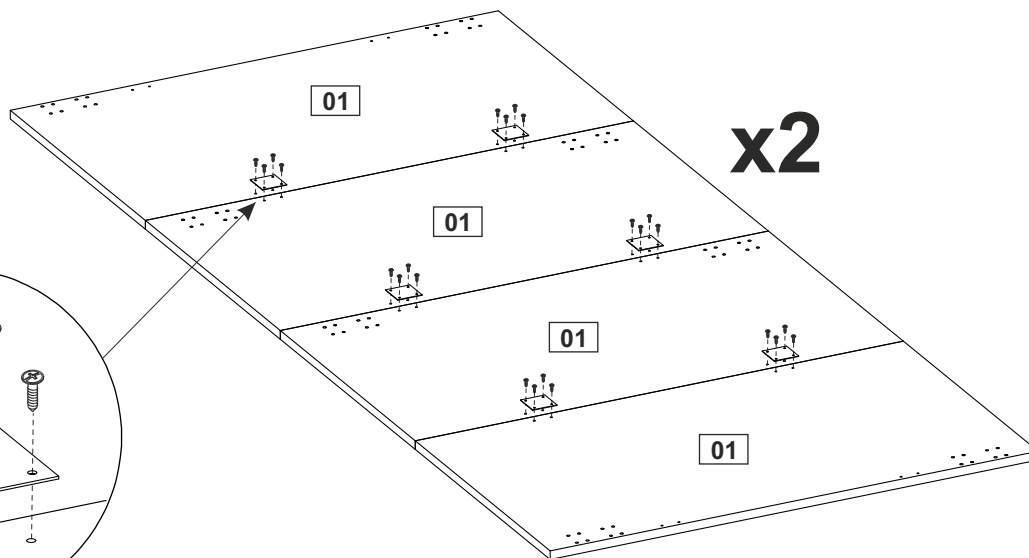
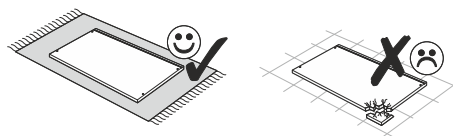
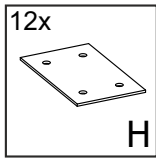
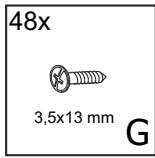
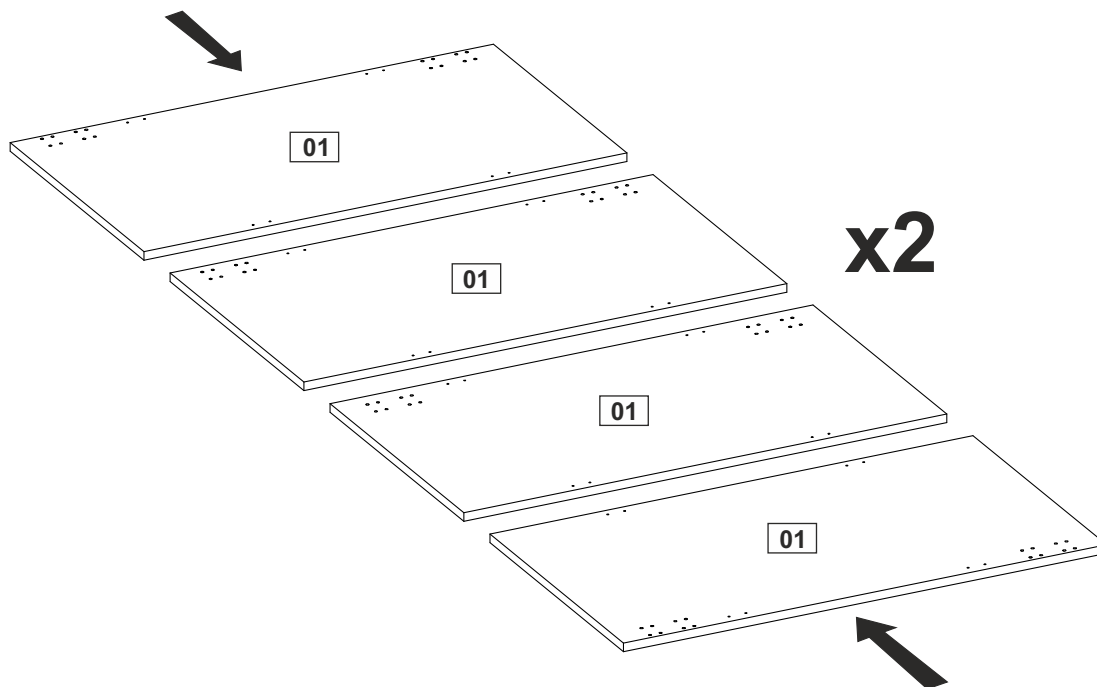
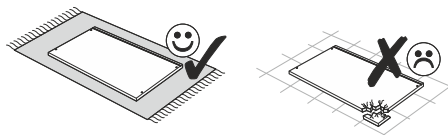
6





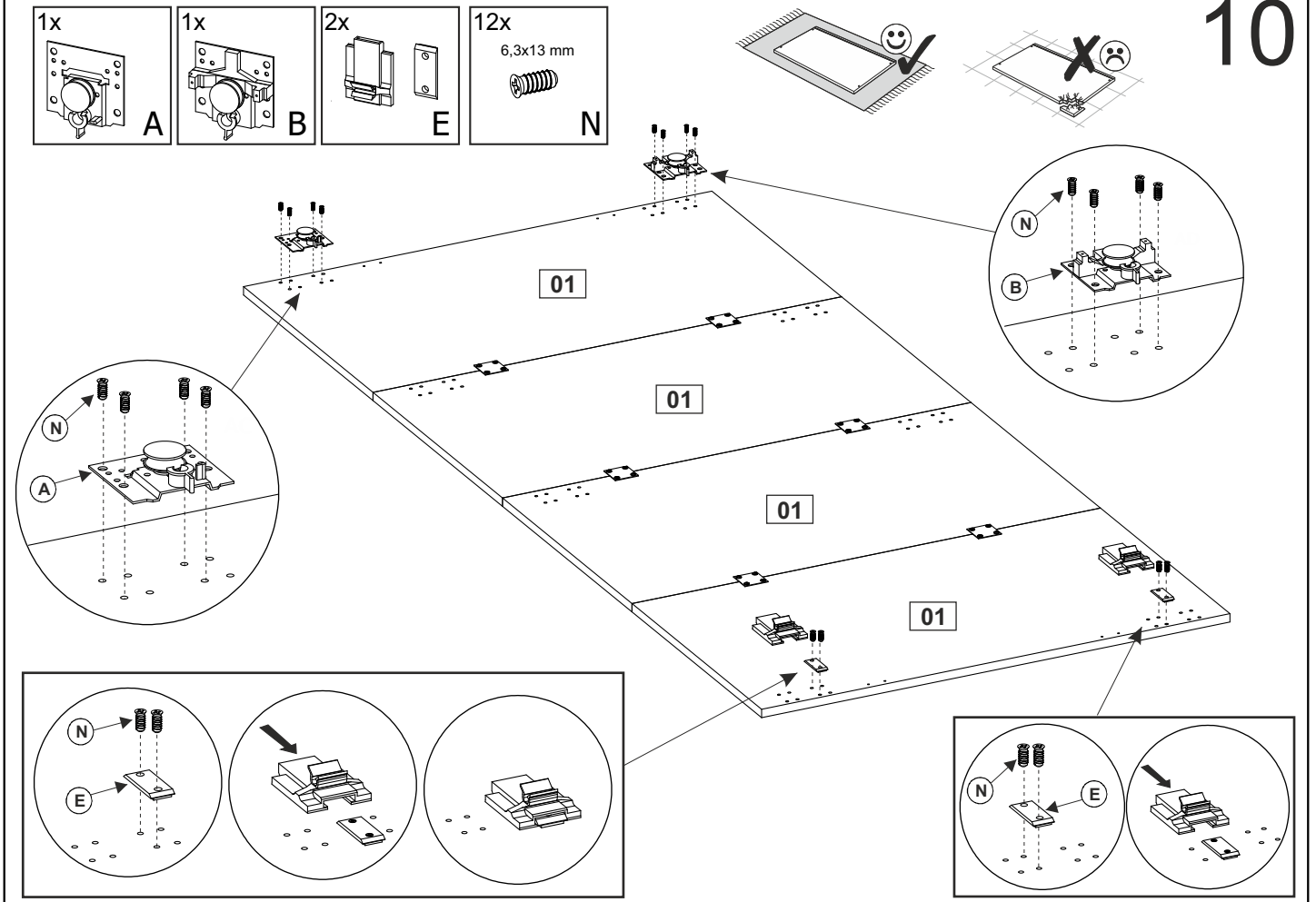
A=B



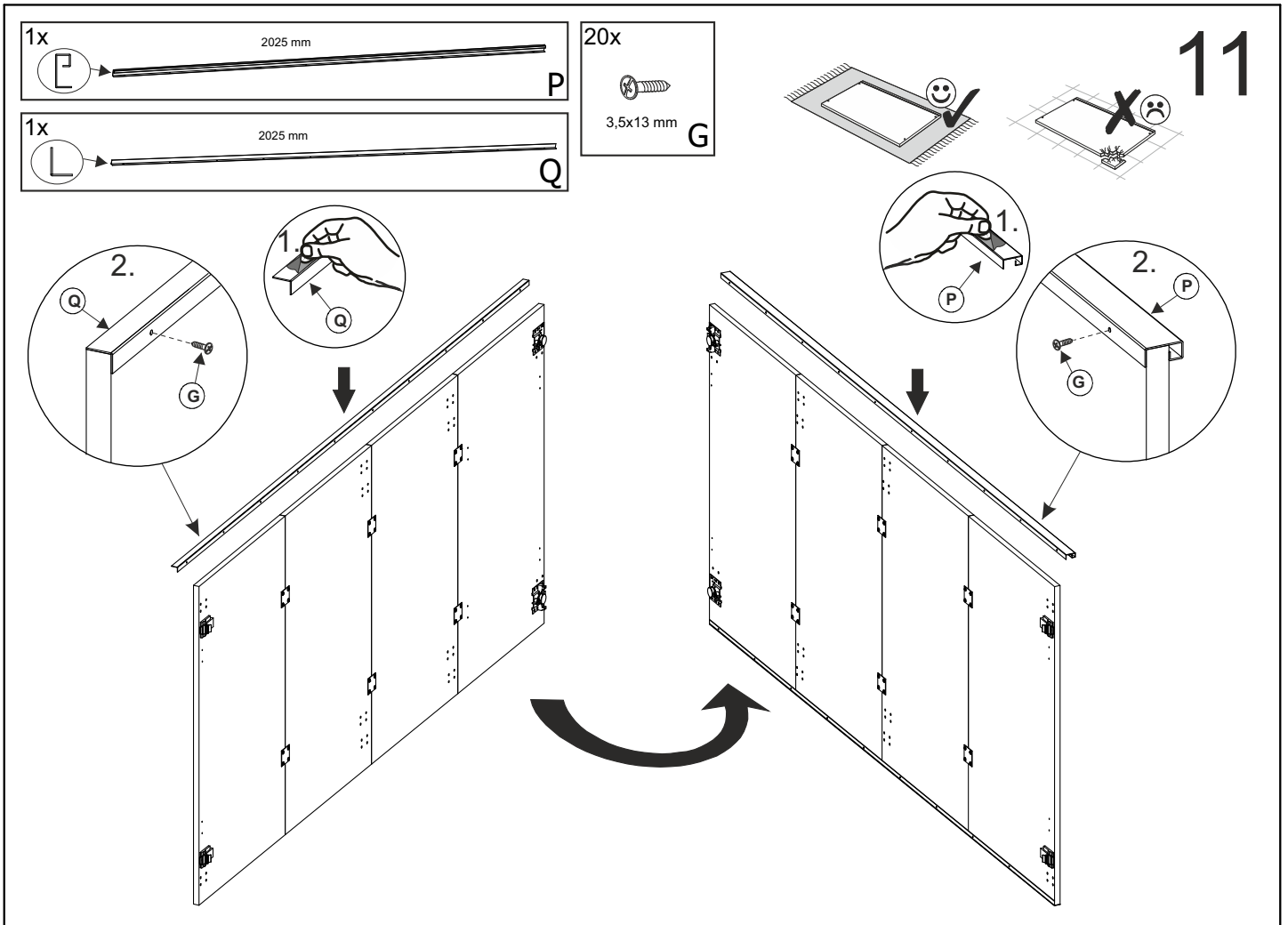


UNIT 1800/2024

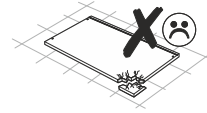
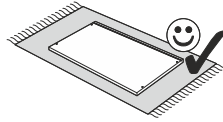
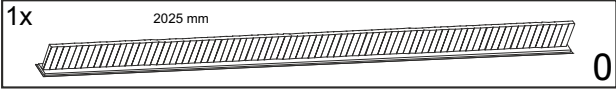
10



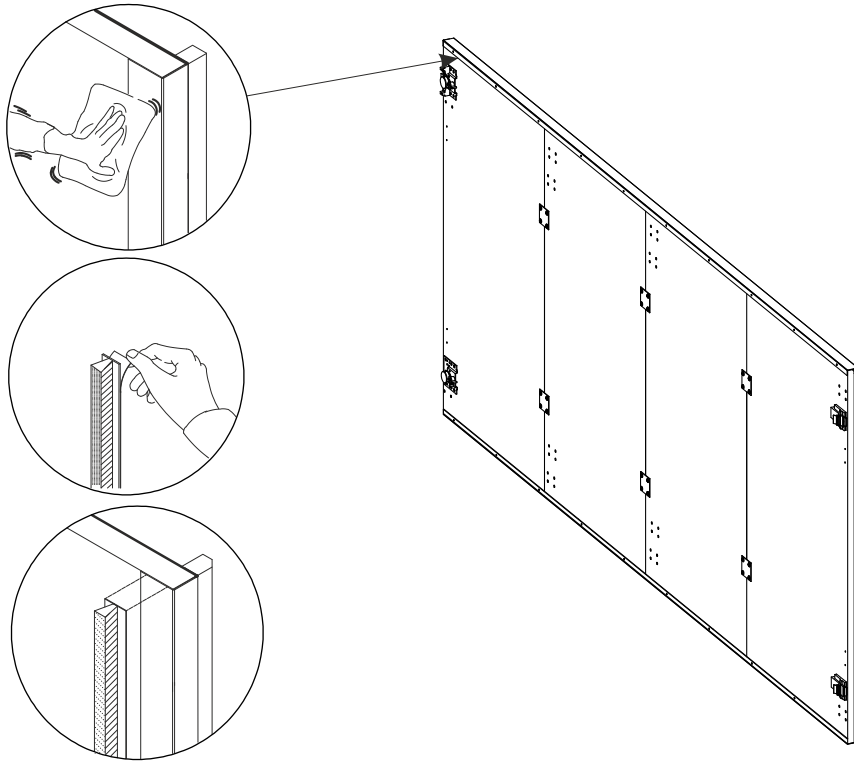
11



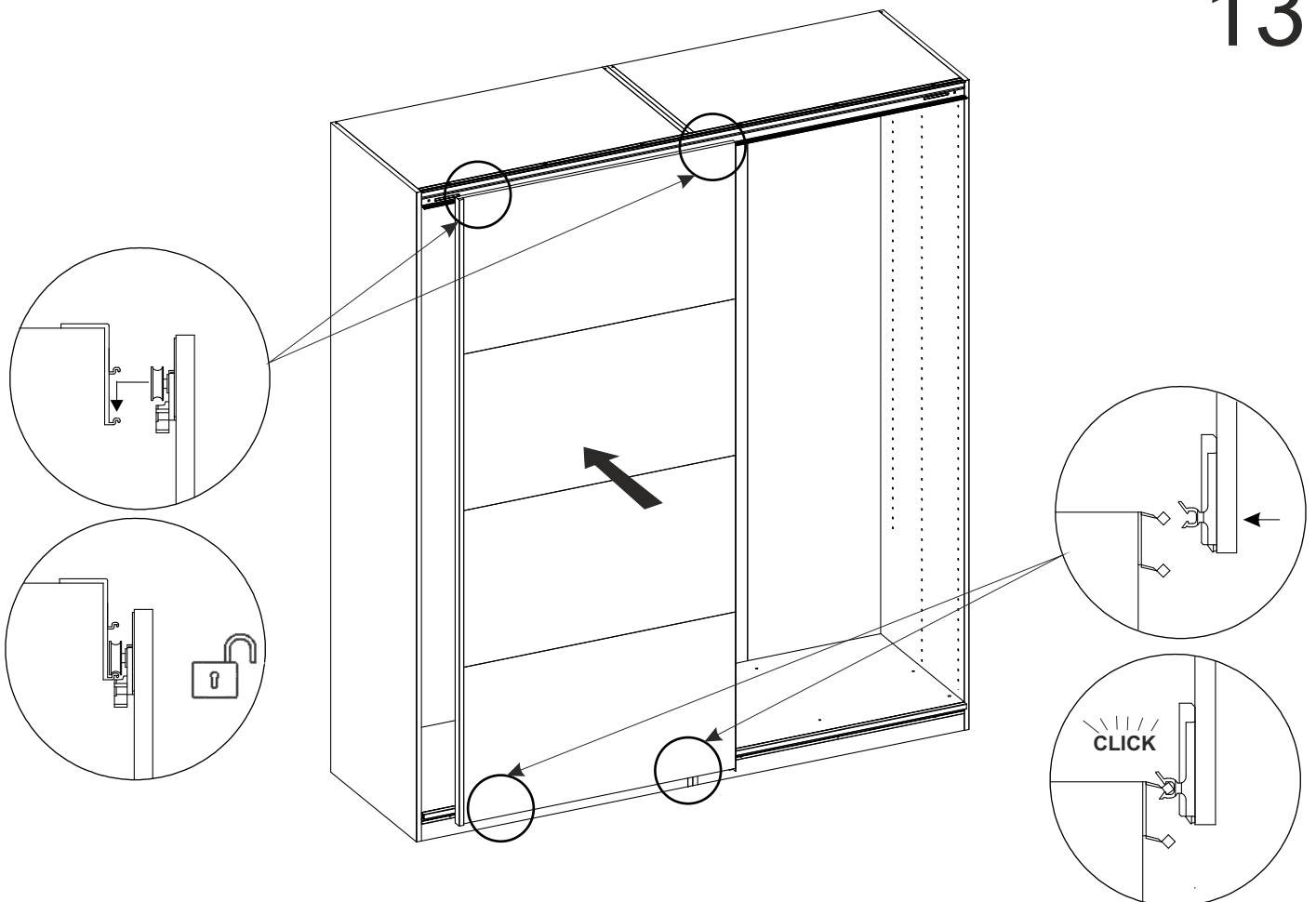
UNIT 1800/2024

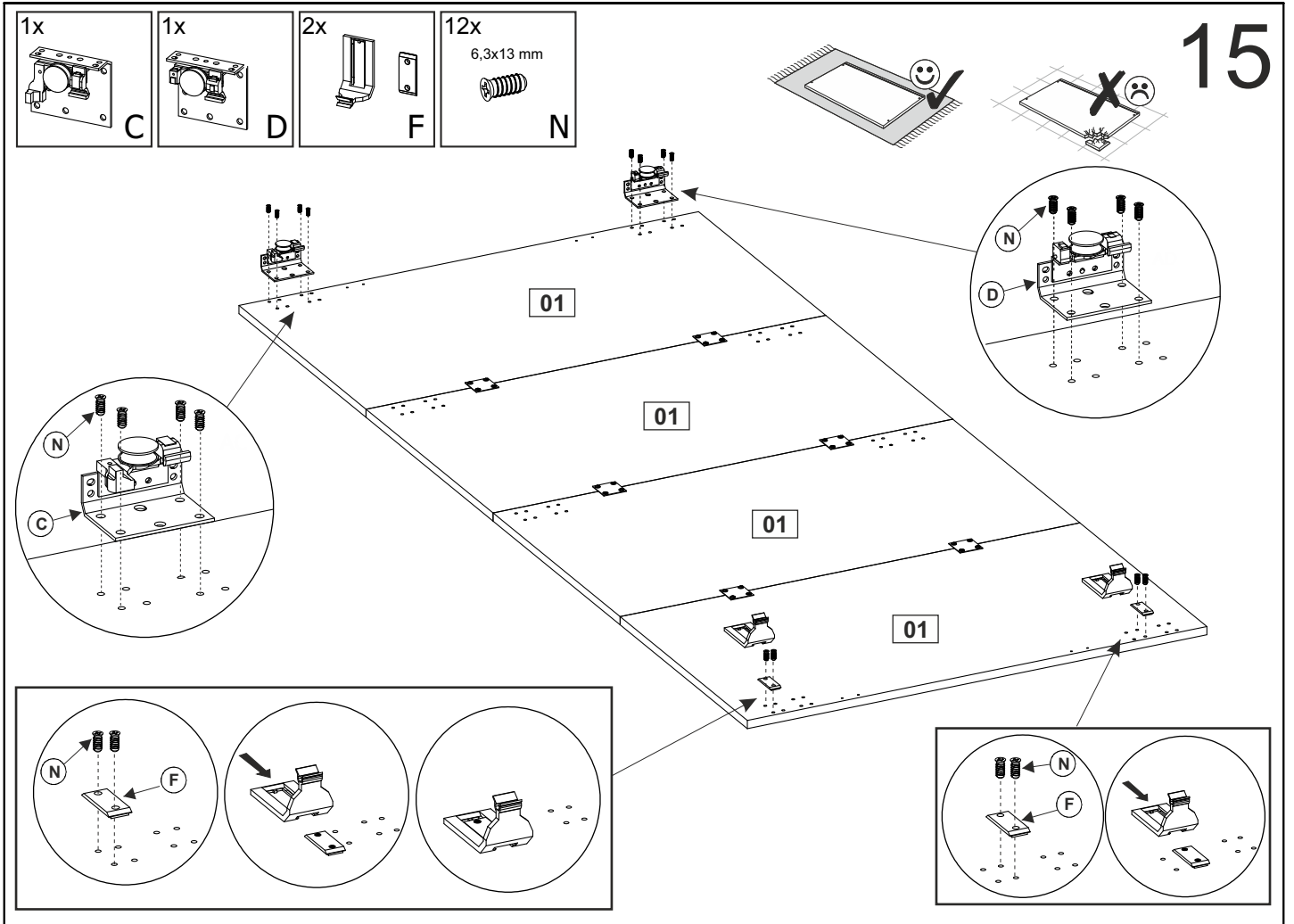
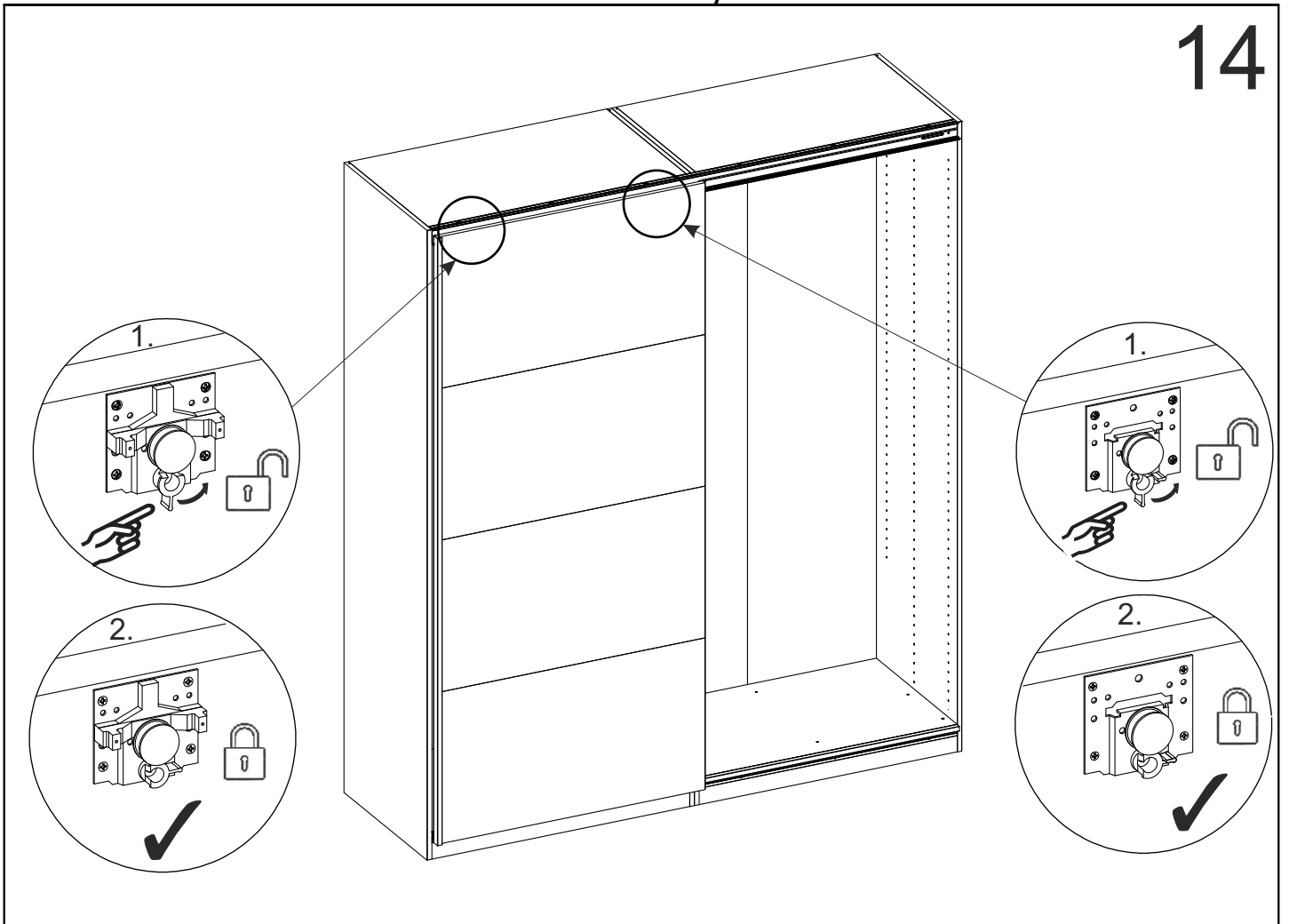


12

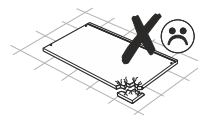
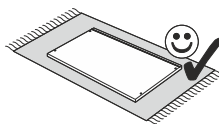
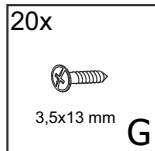
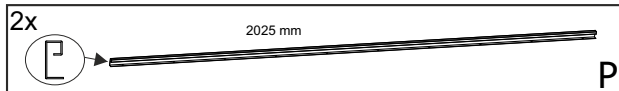


13

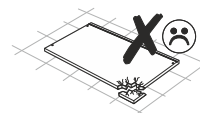
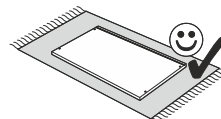
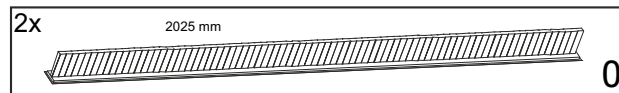
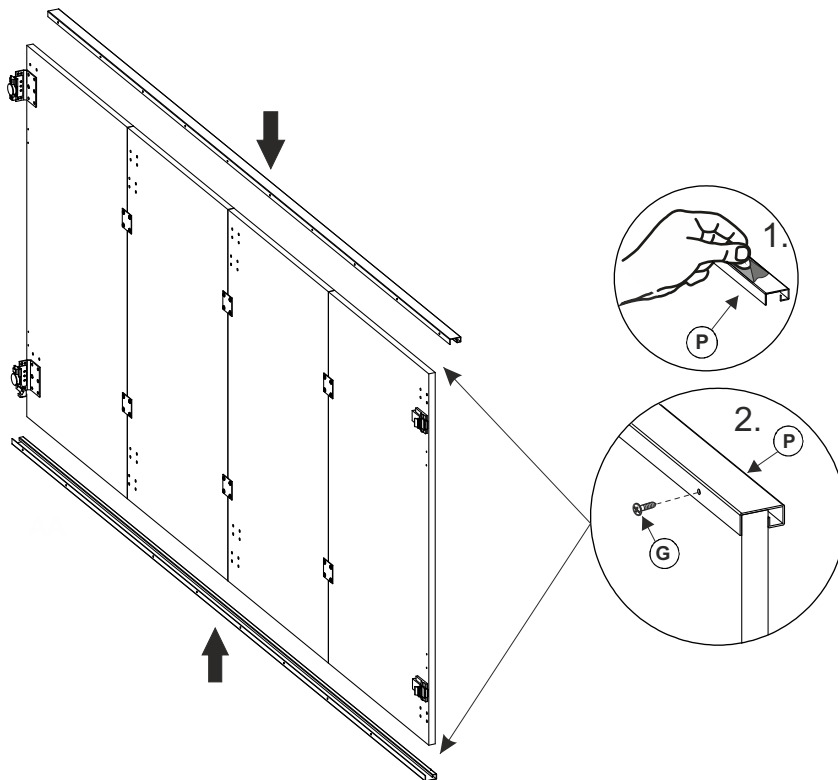




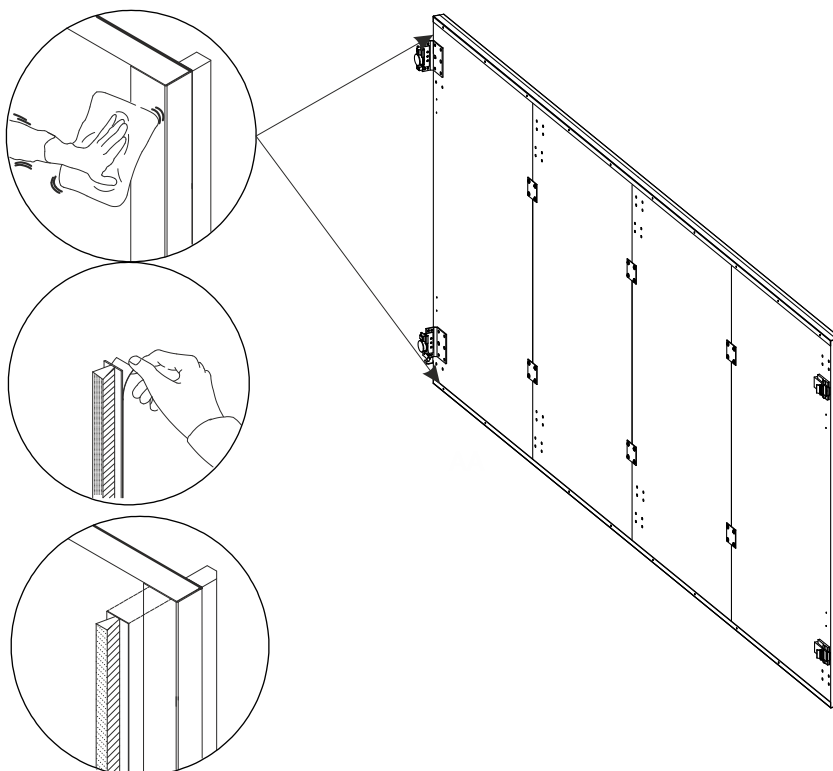
UNIT 1800/2024

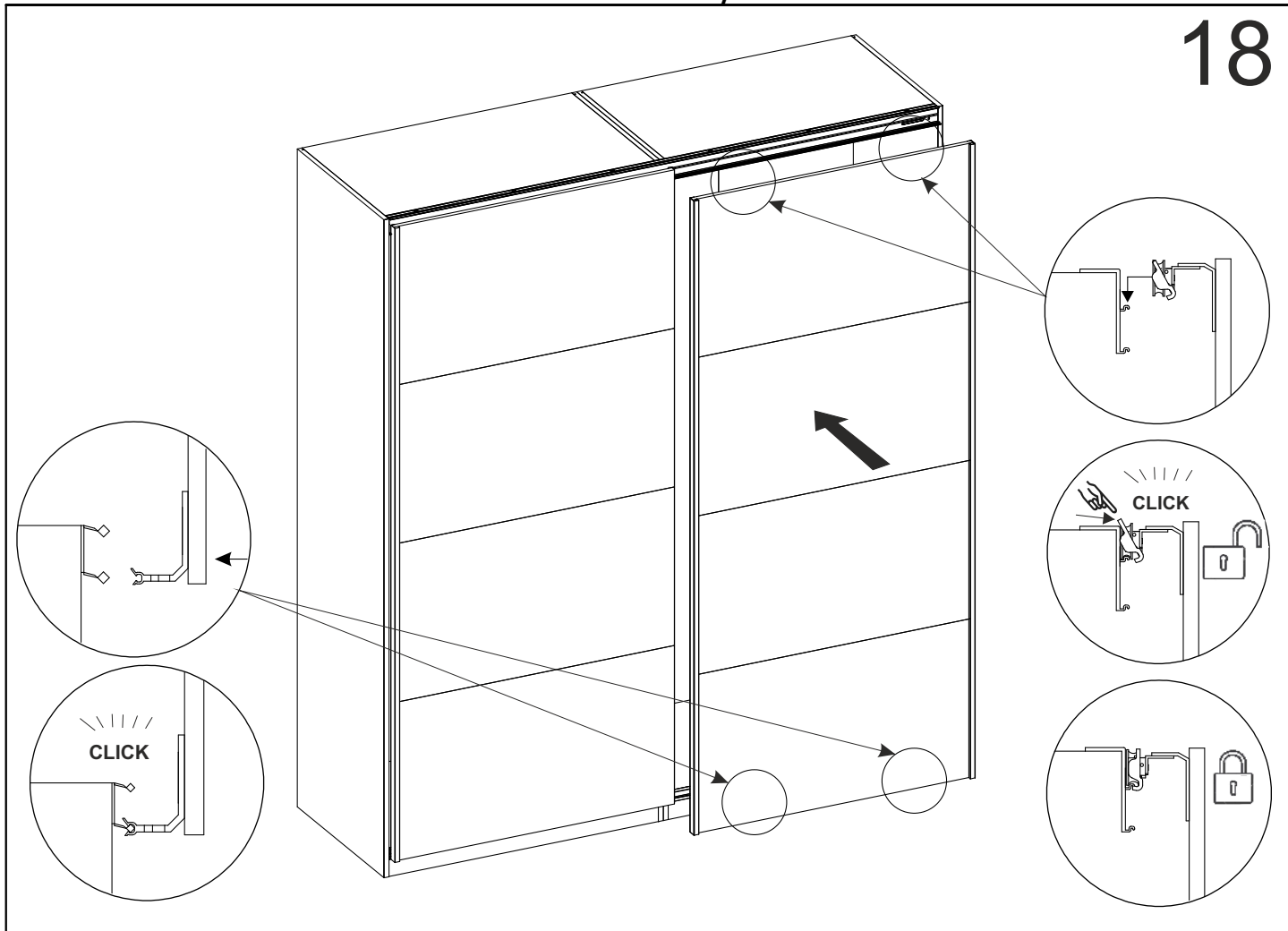


16



17





- 1x 2422 mm T
- 1x 2422 mm U

- 22x 3,5x13 mm G1

