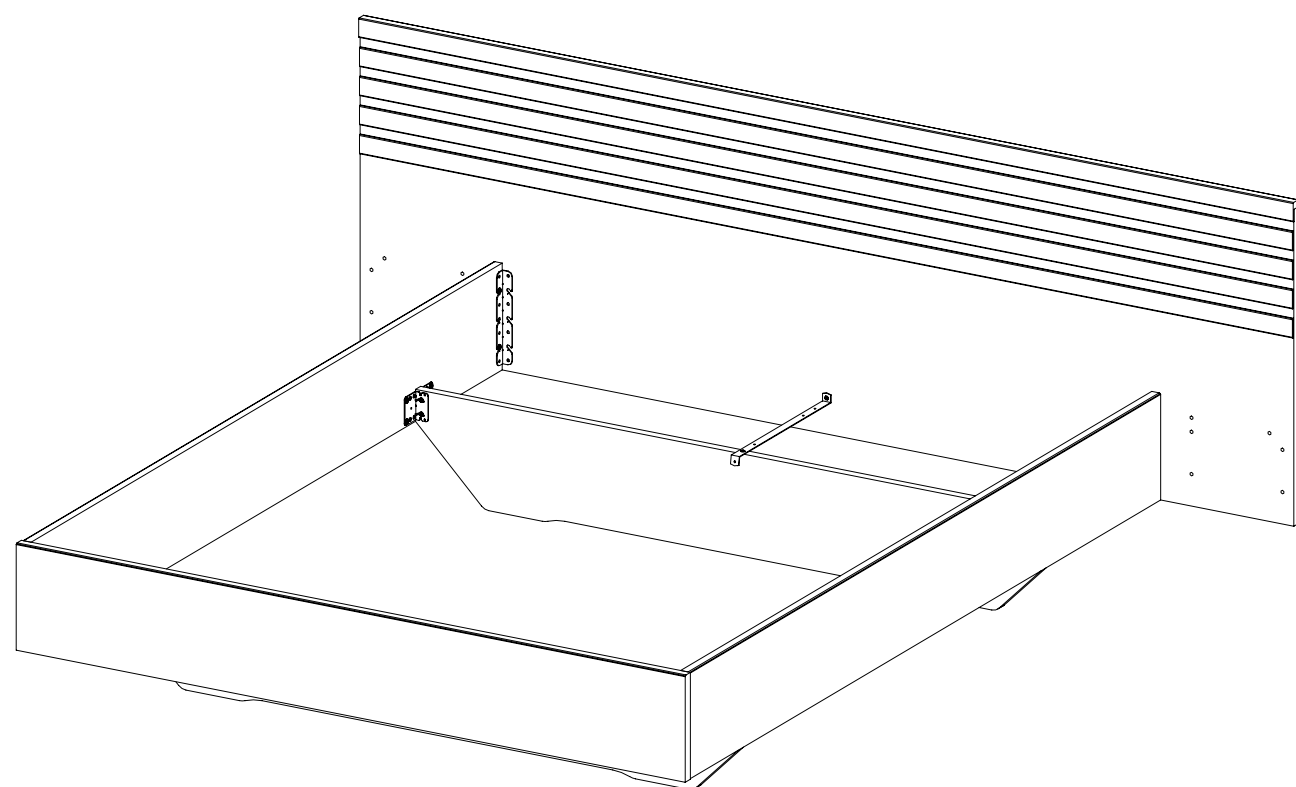
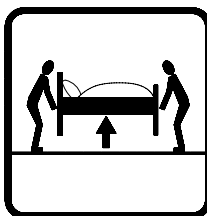
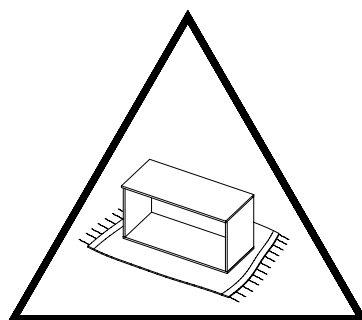
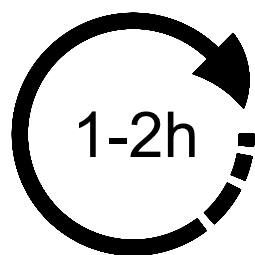
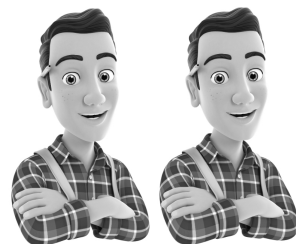
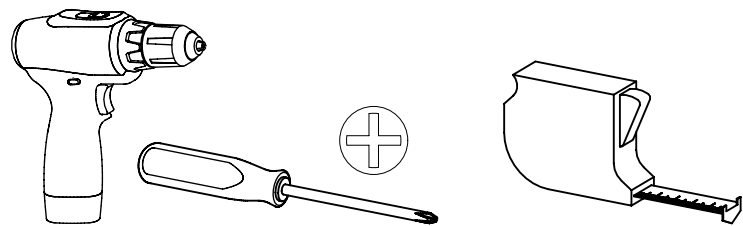


M2769\_01

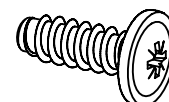
rauch



30x

6,3x18

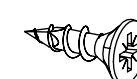
25



28x

4,5x16

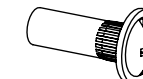
202



4x

M4

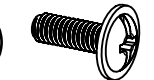
580



4x

M4x12

803



8x

M4

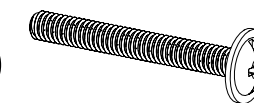
176



8x

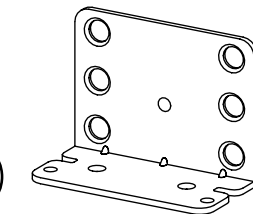
M4x32

56



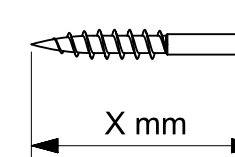
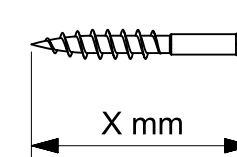
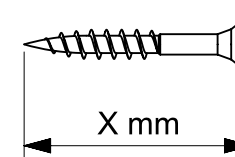
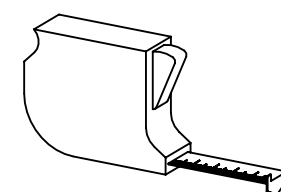
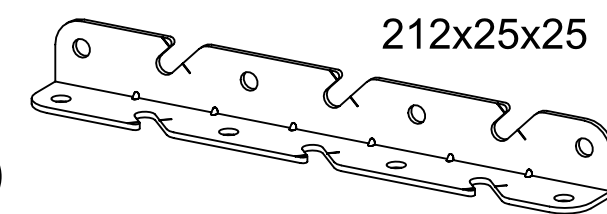
8x

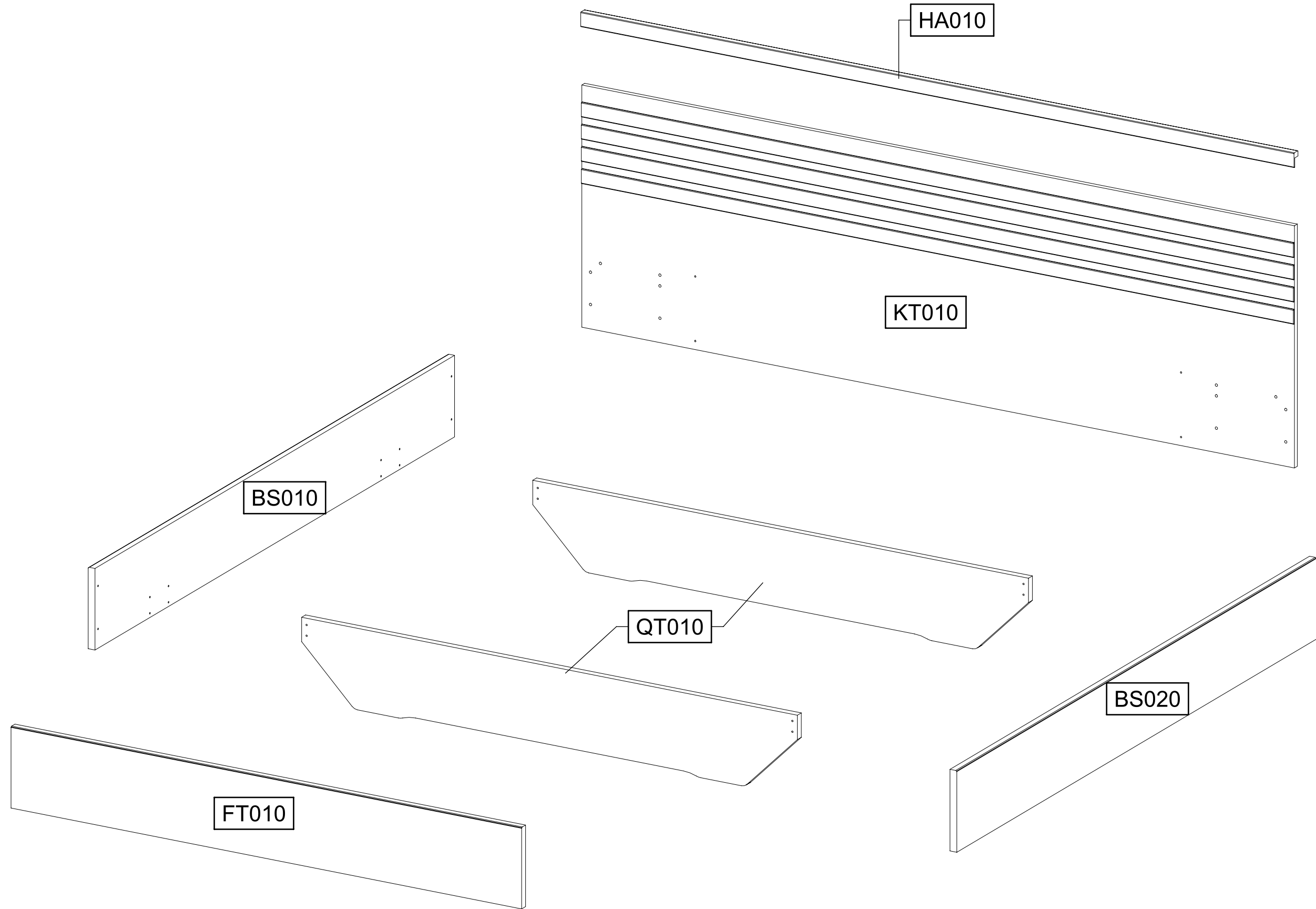
856



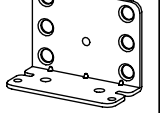
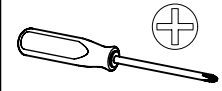


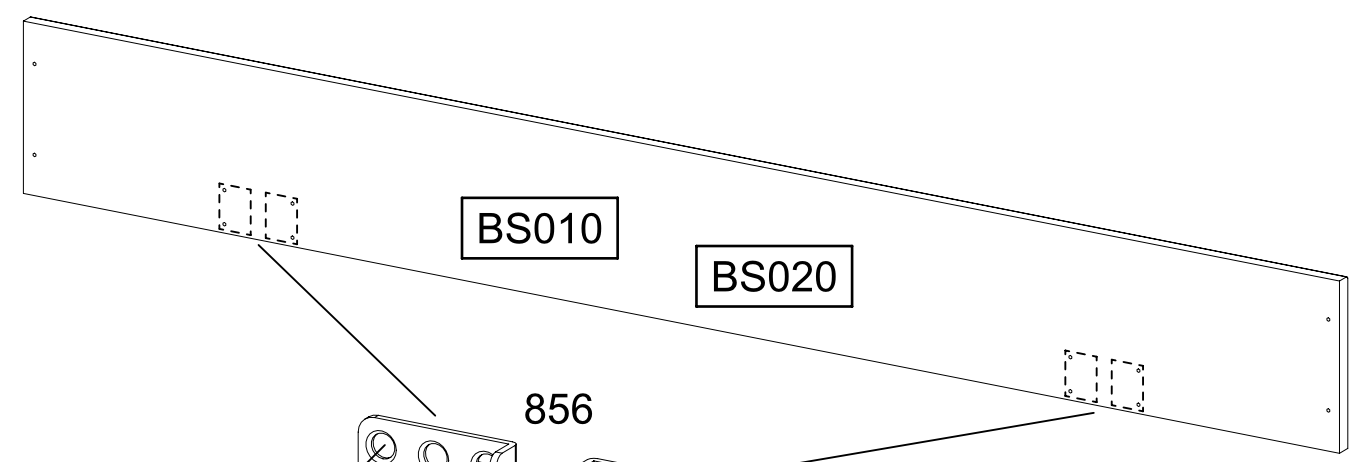
4x

456

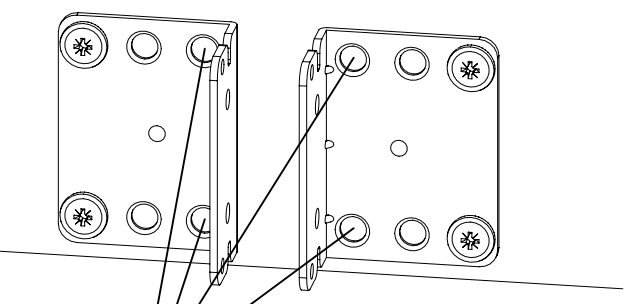





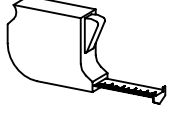
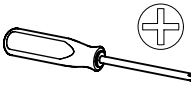
- 1
- 16x 25  6,3x18
- 16x 202  4,5x16
- 8x 856 
- 

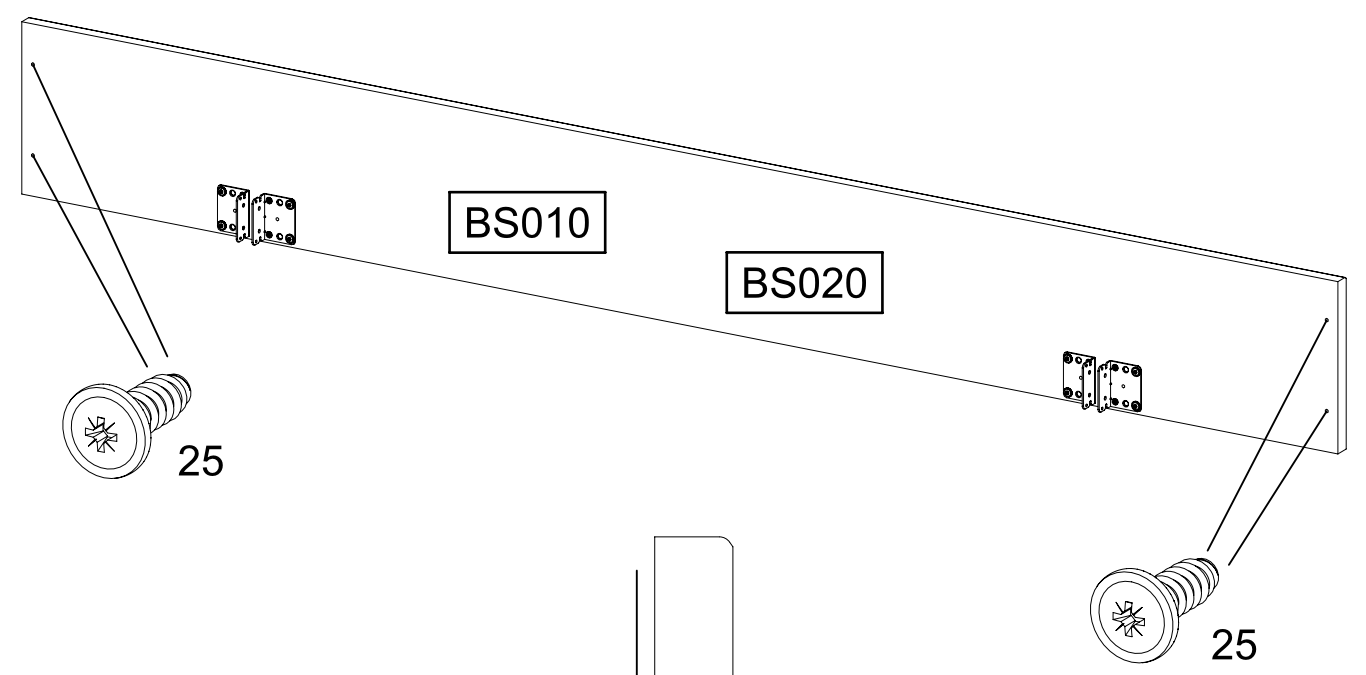


1.

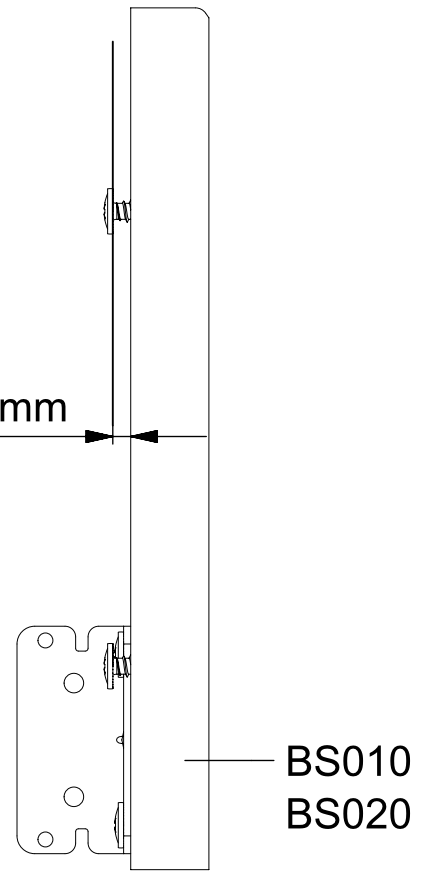


2.

- 2
- 8x 25  6,3x18
- 
- 



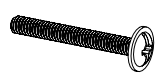
5mm



3

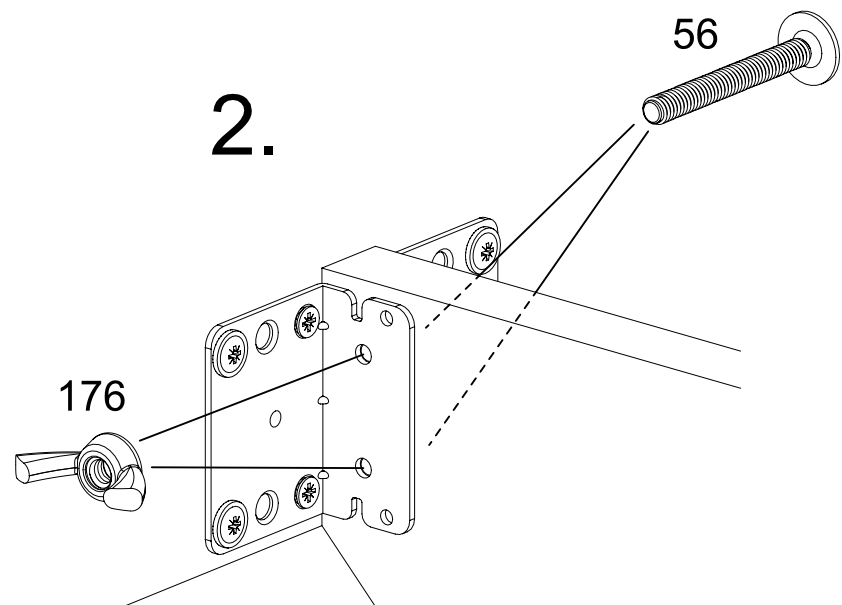
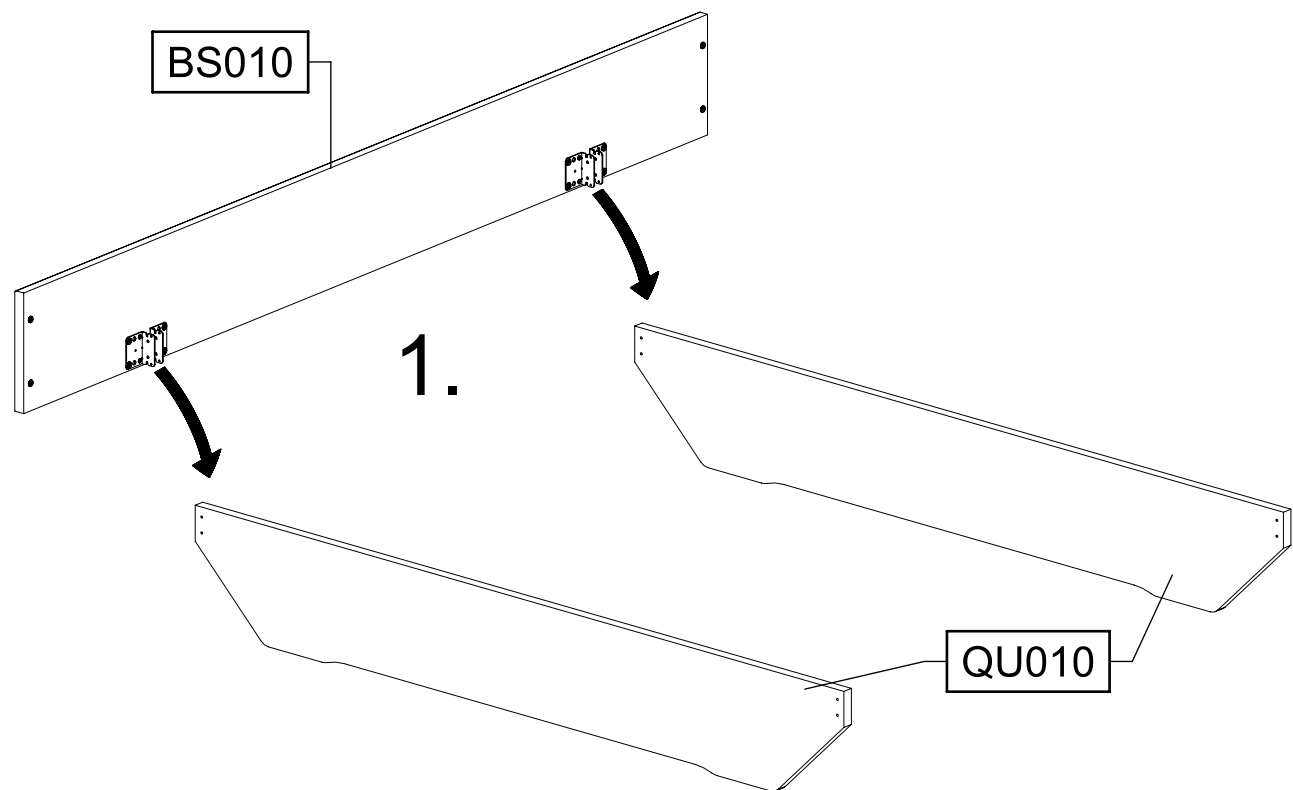
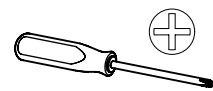
4x 56

M4x32



4x 176

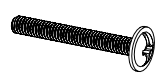
M4



4

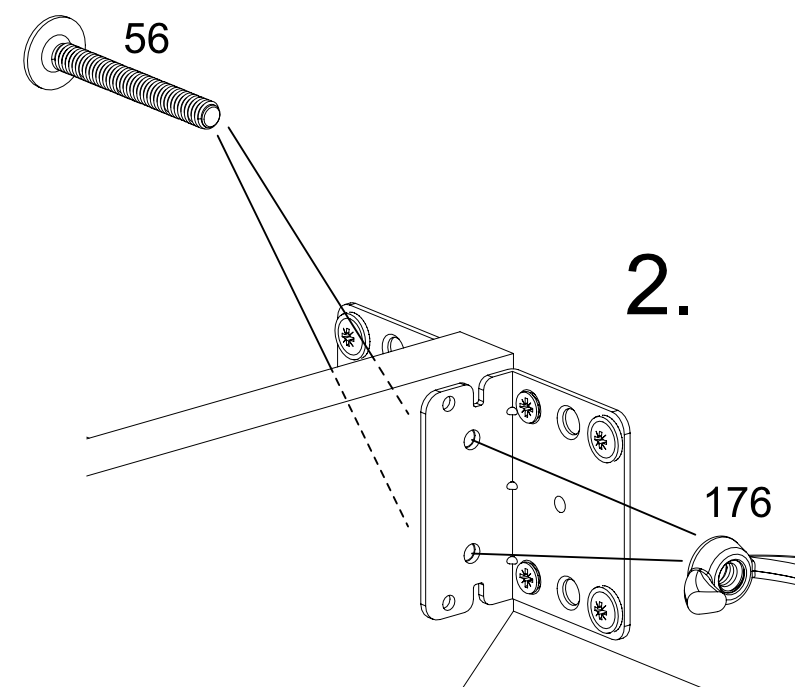
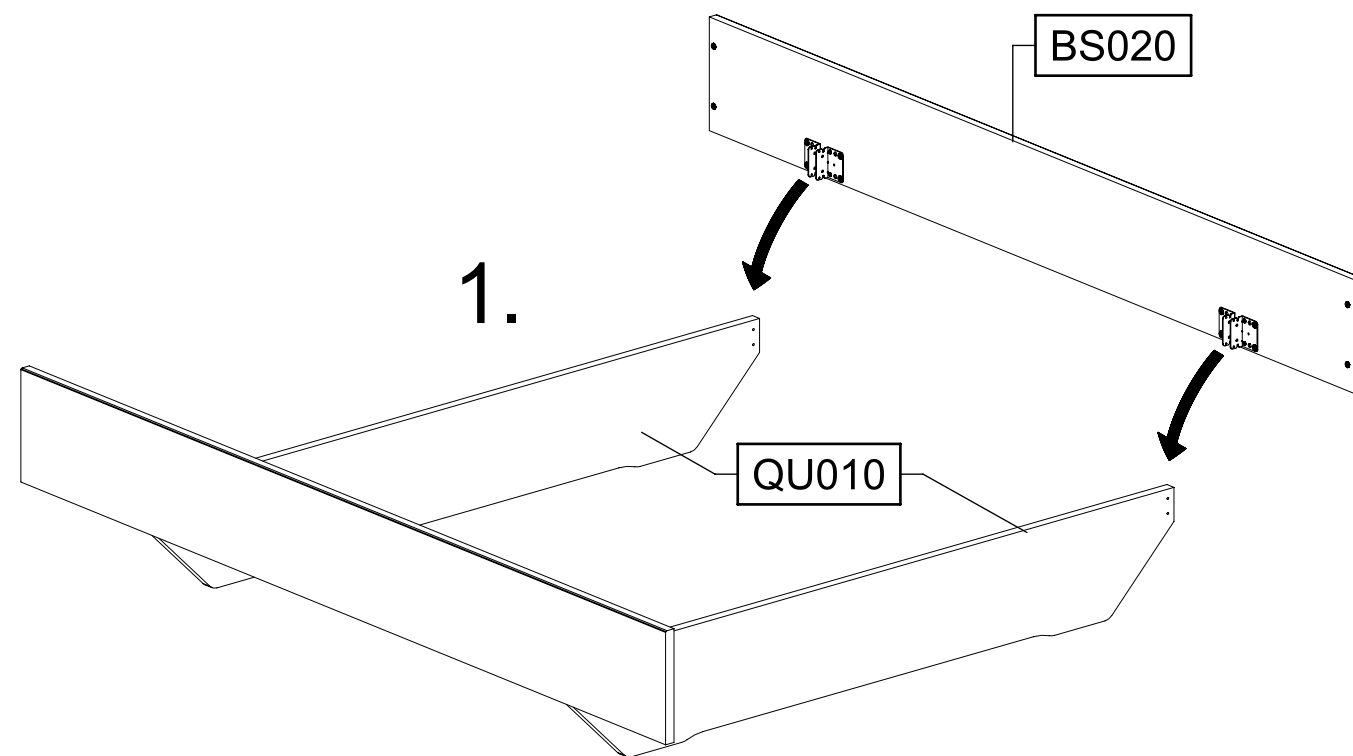
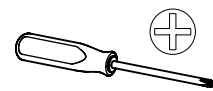
4x 56

M4x32



4x 176

M4



5

6x

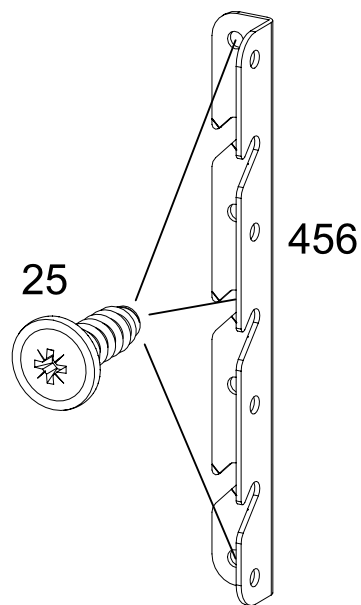
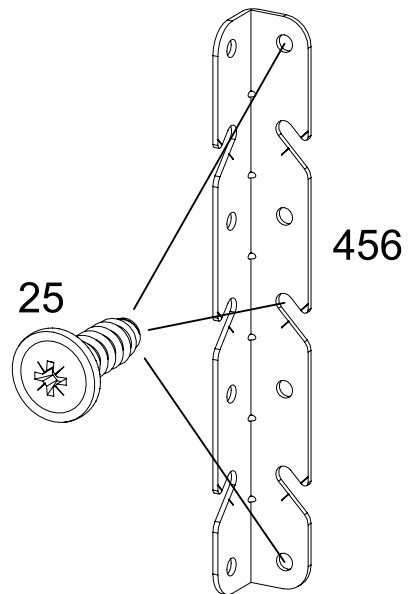
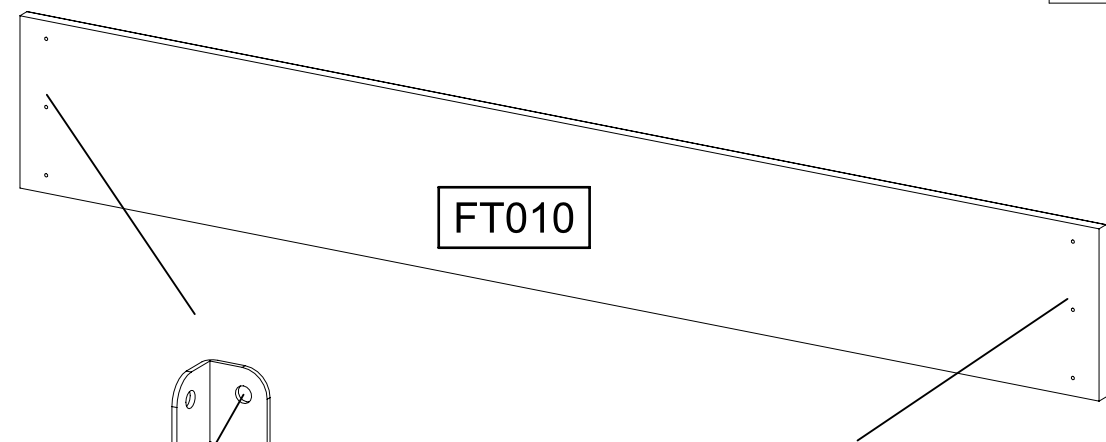
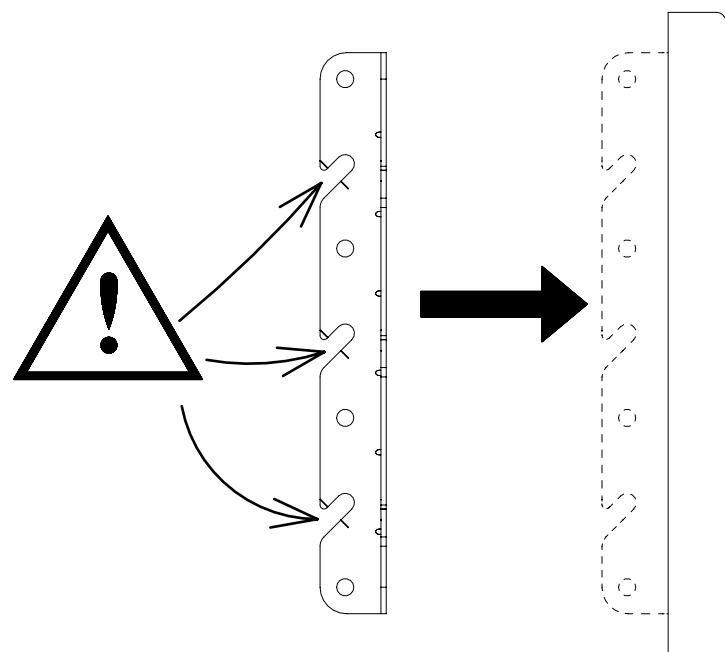
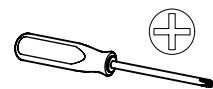
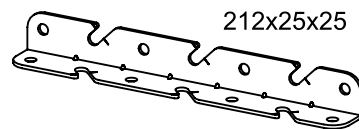
25

6,3x18

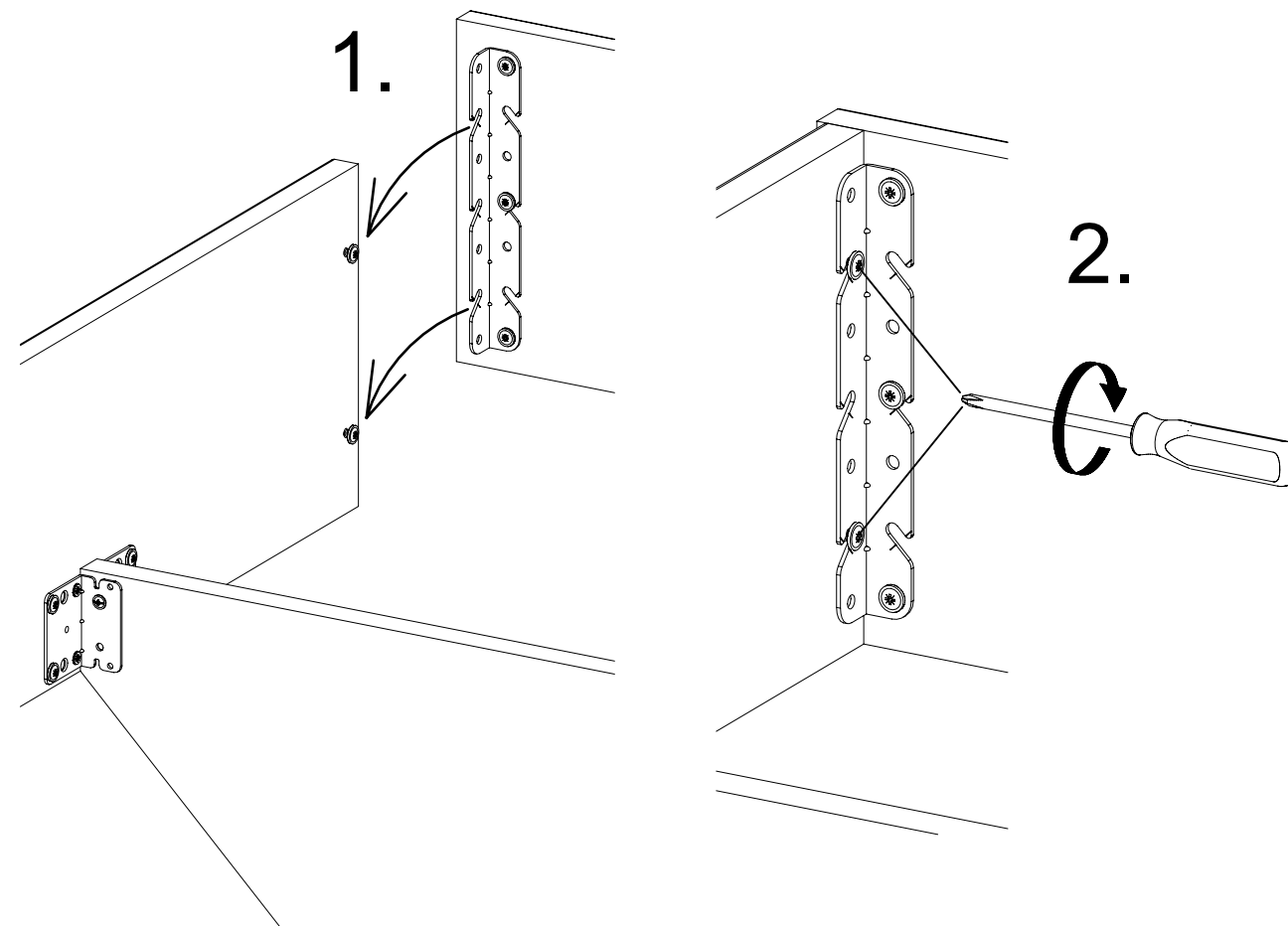
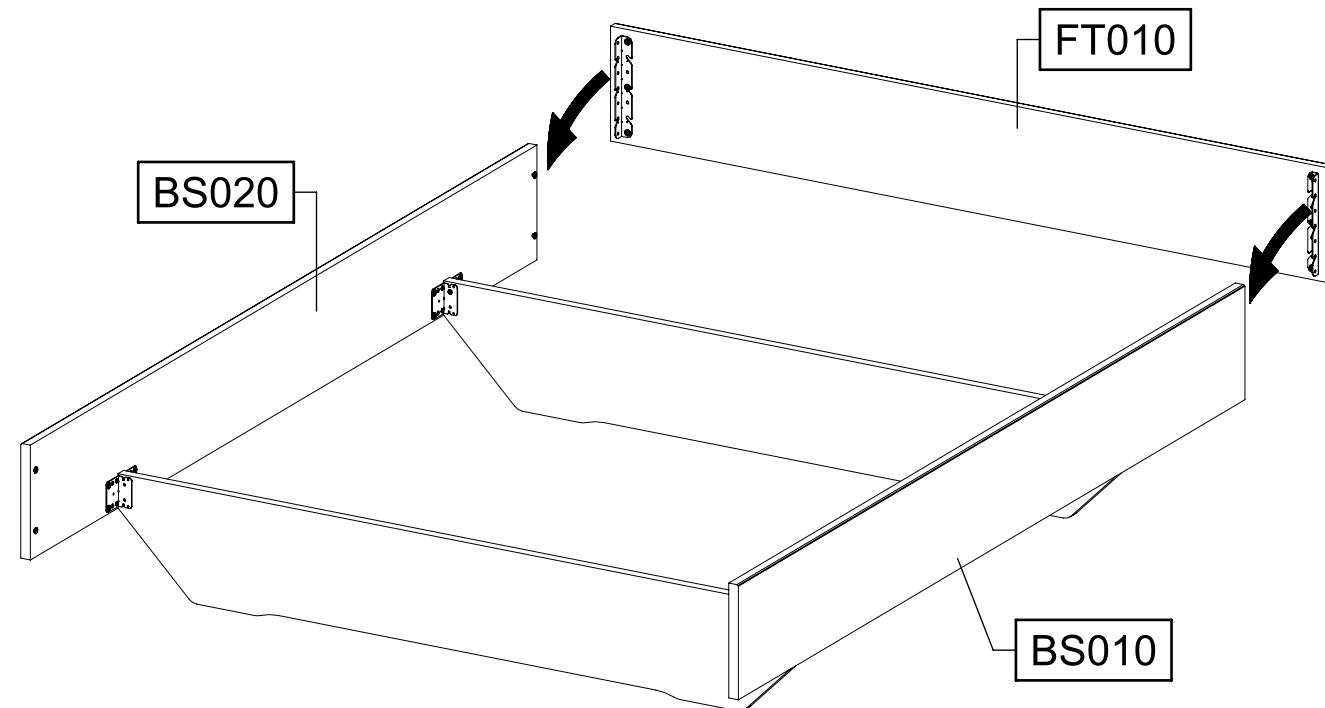
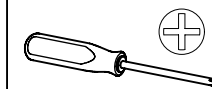


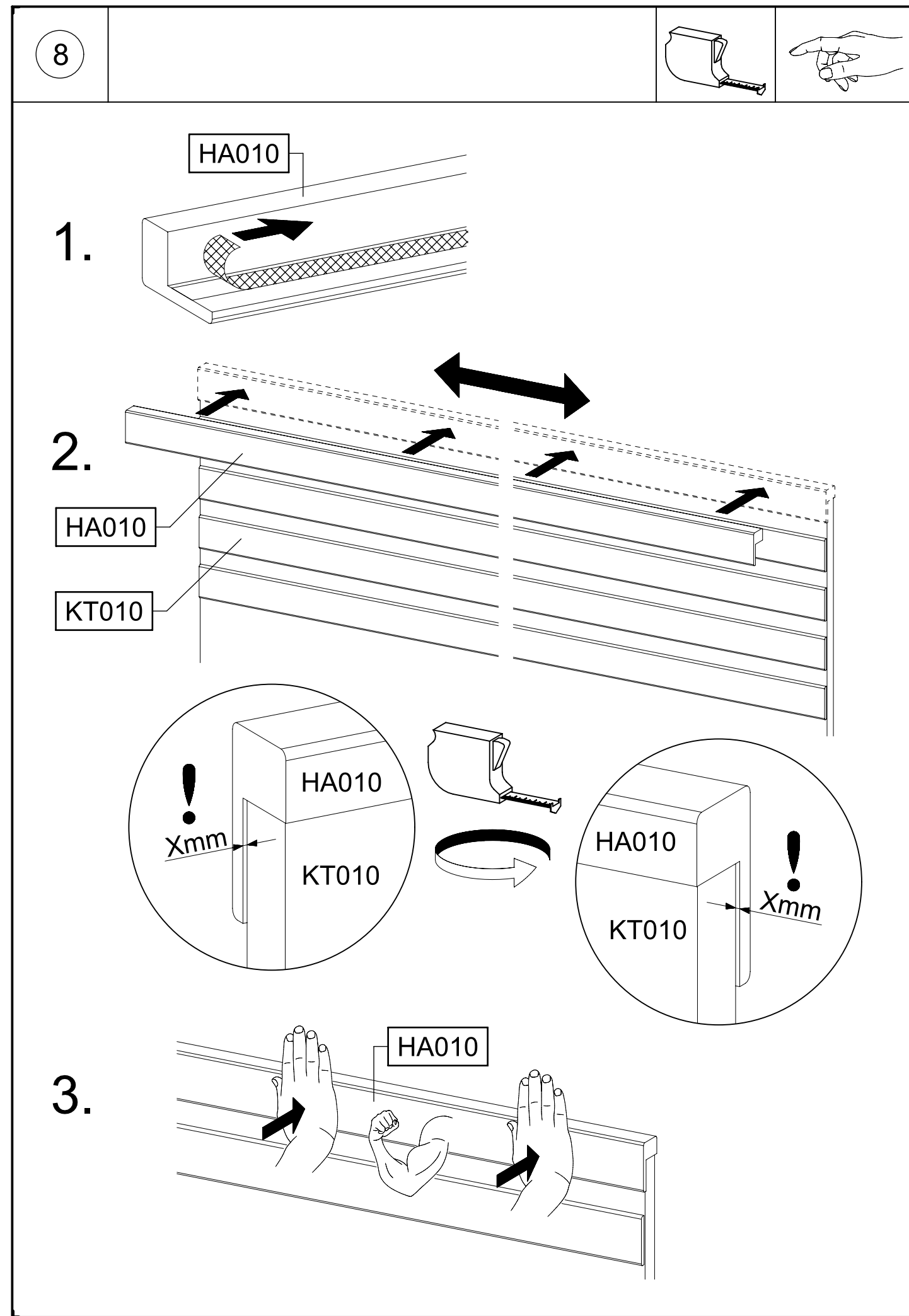
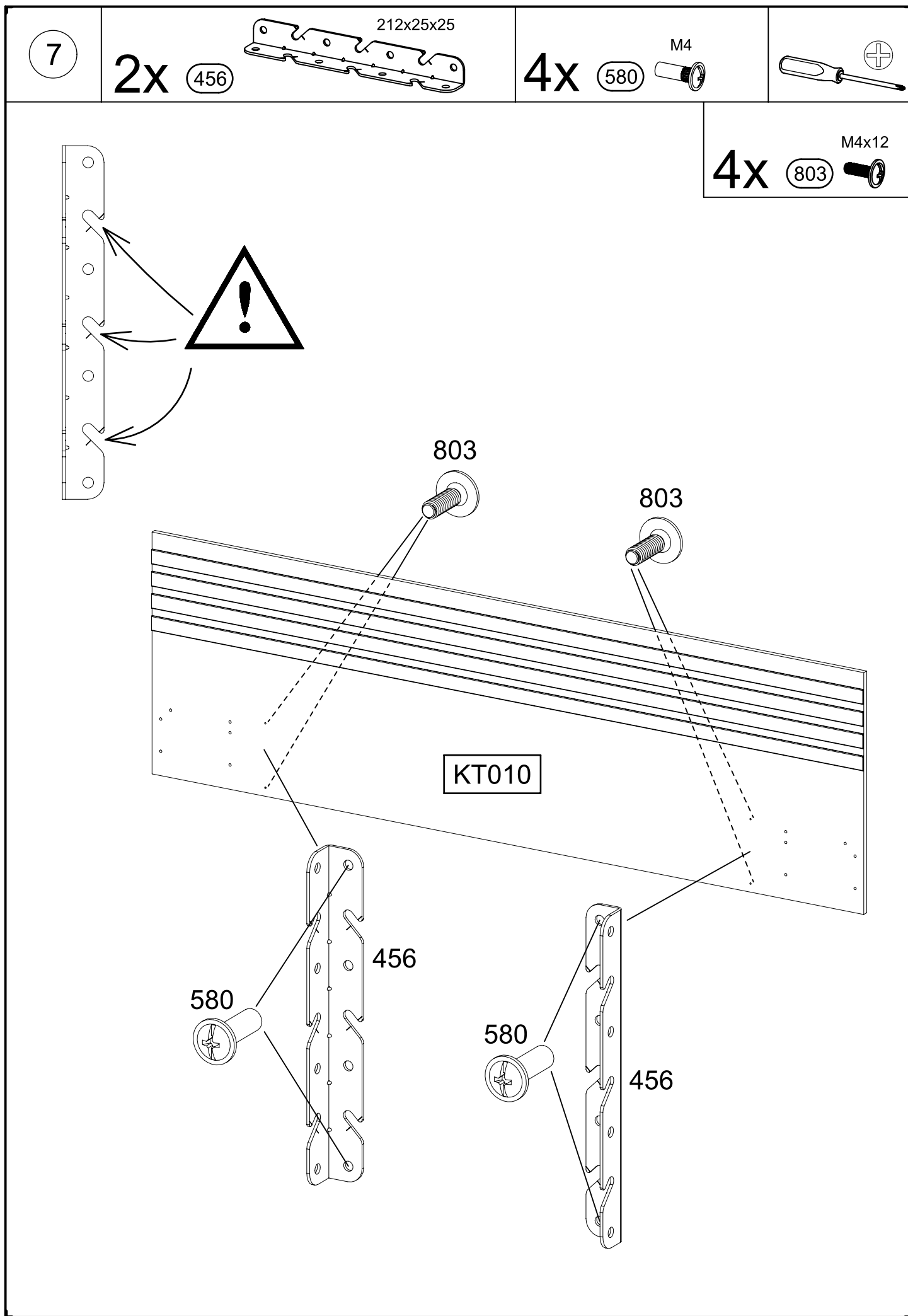
2x

456

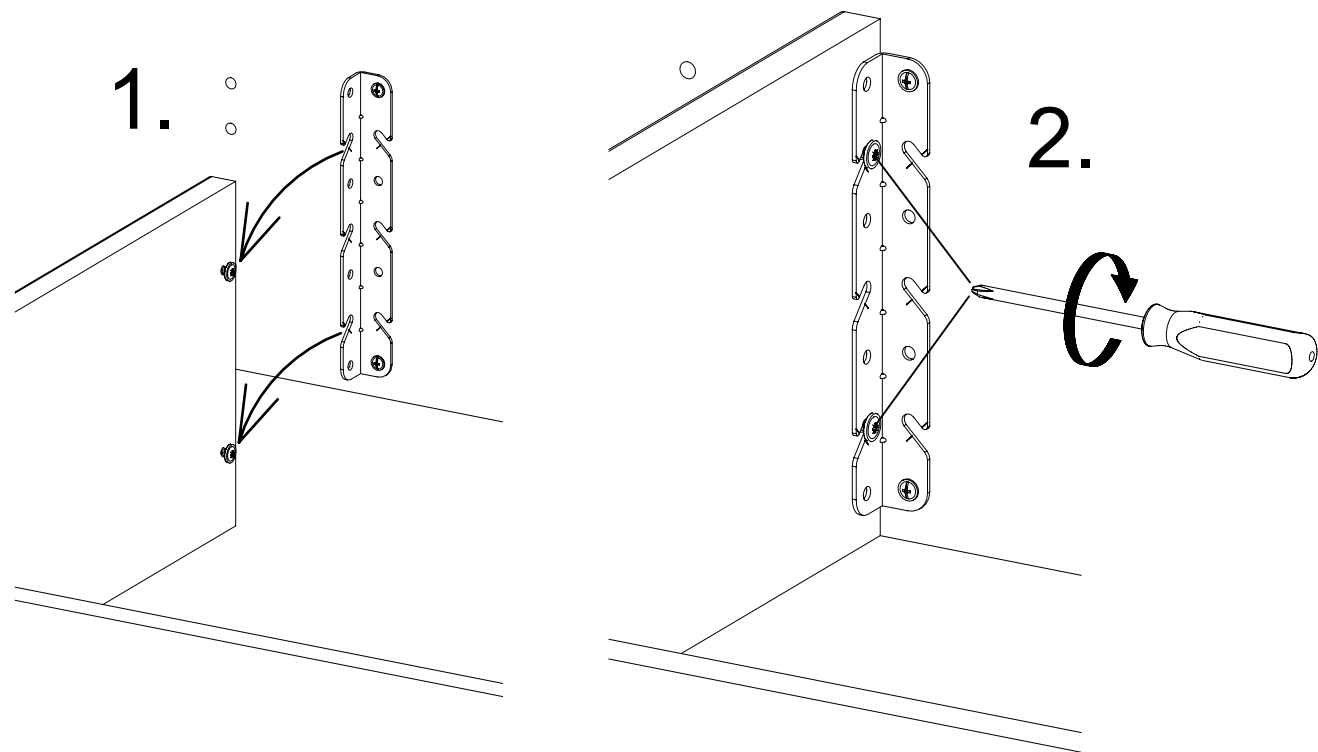
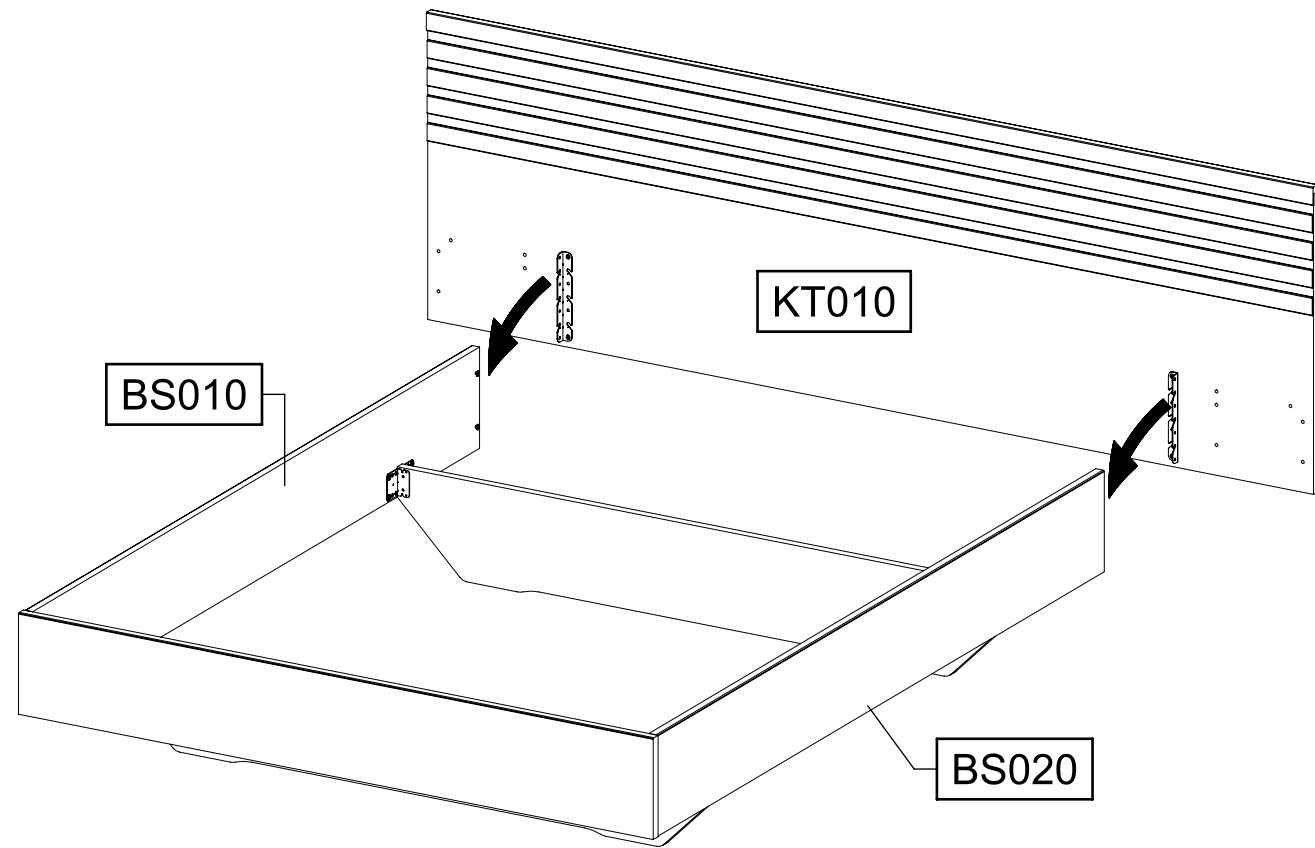
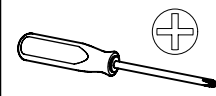


6





9

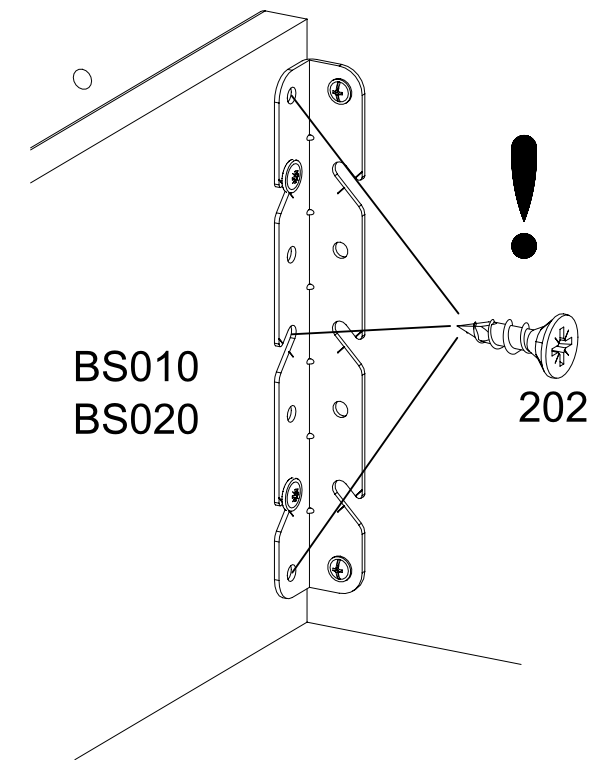
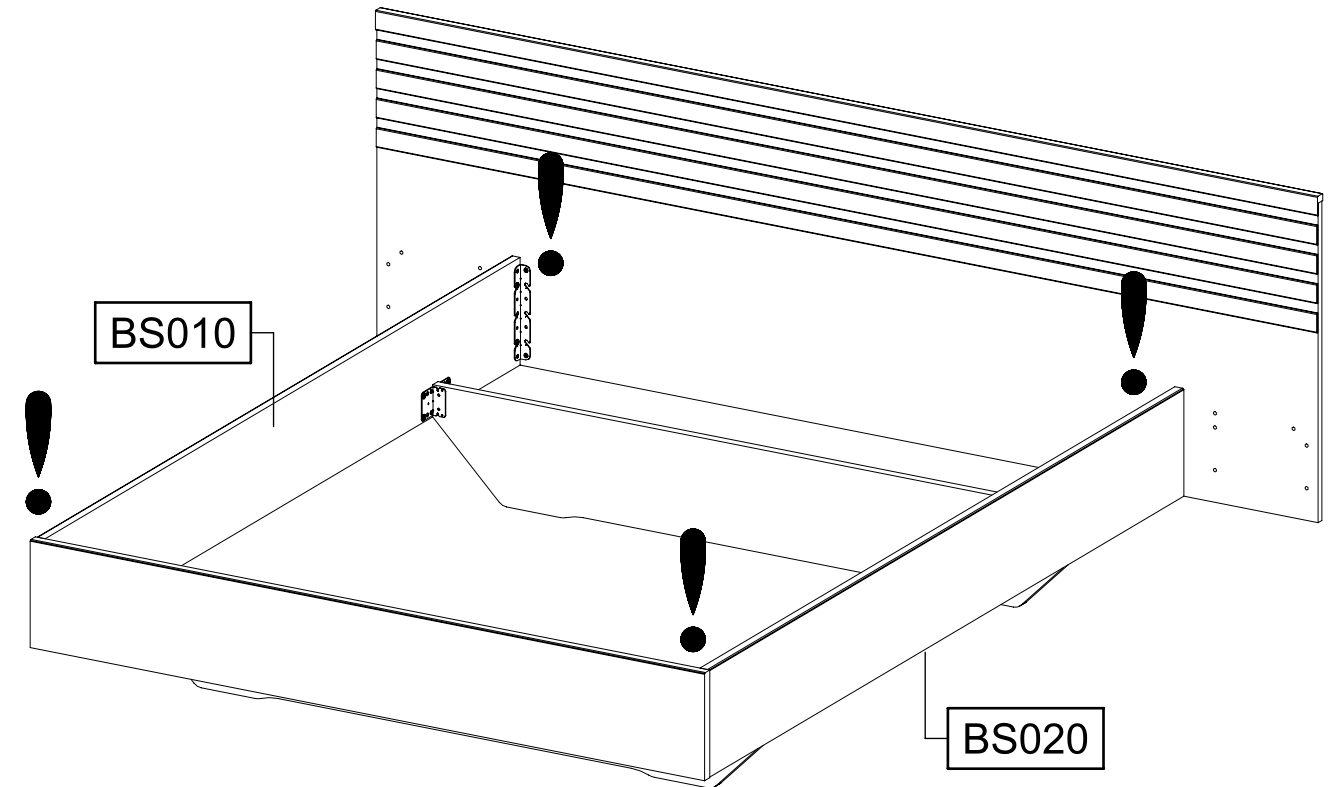
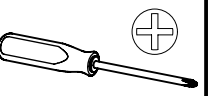


10

12x

202

4,5x16



11

