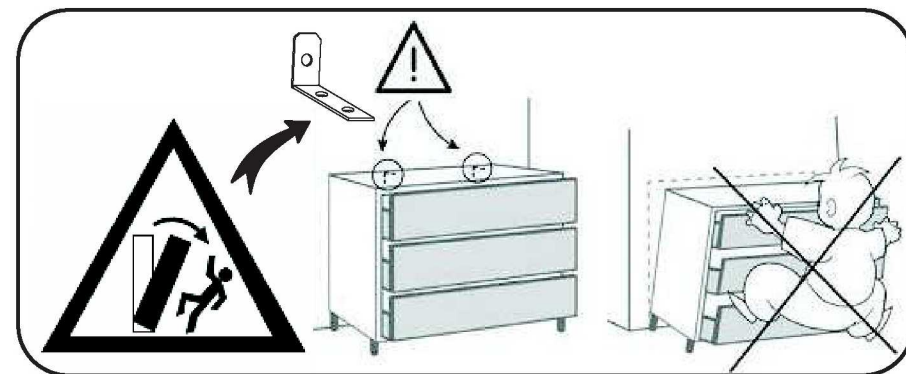
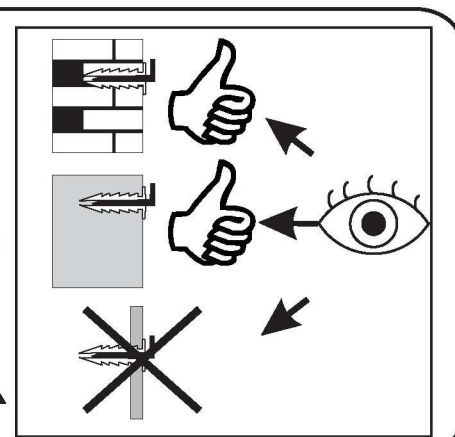
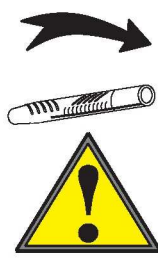
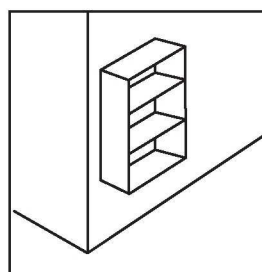
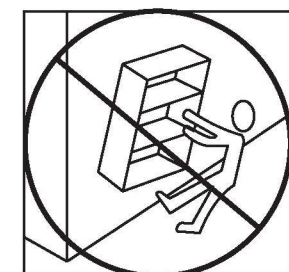
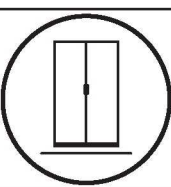
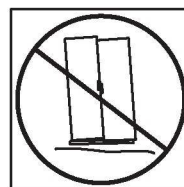
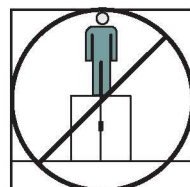
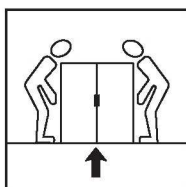
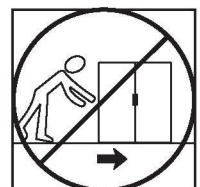
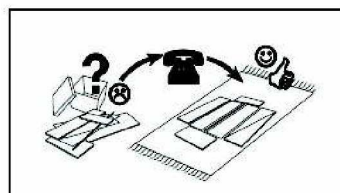
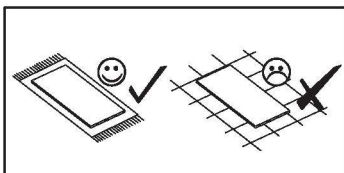
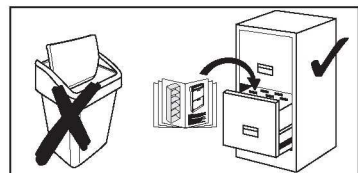
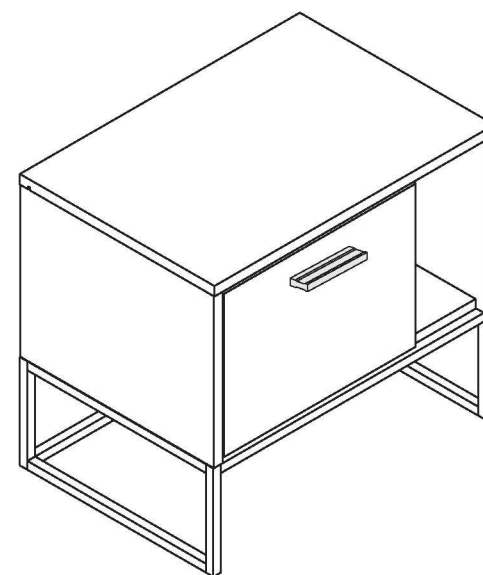
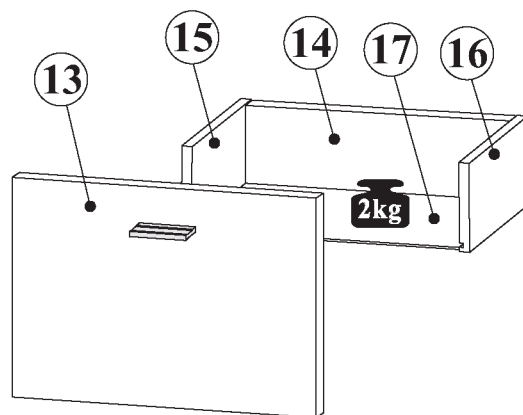
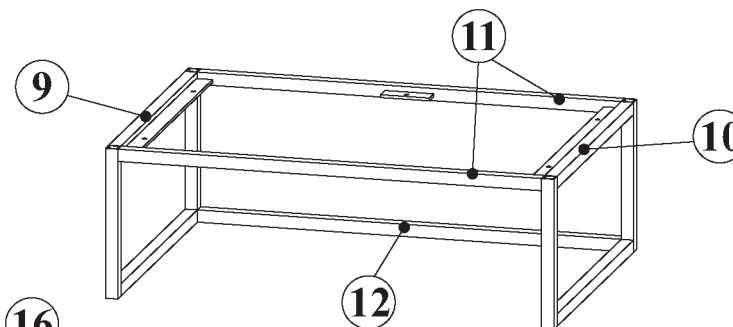
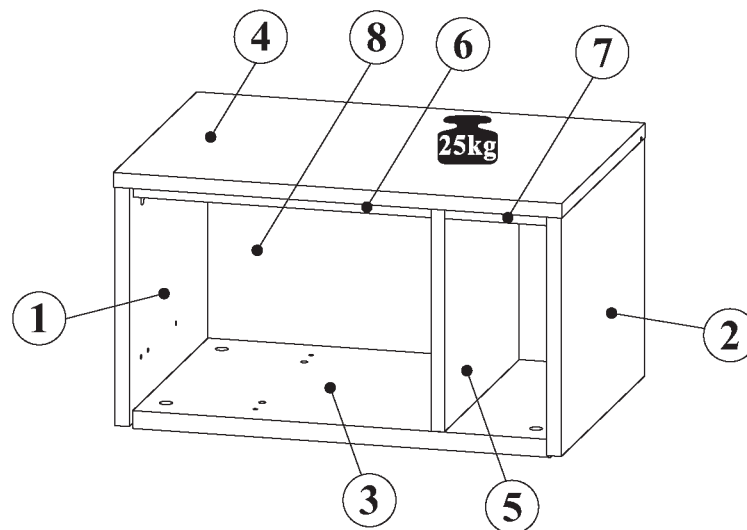
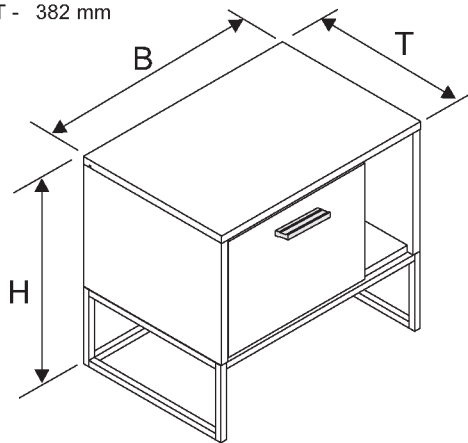


Links

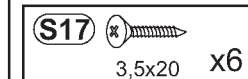
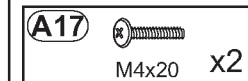
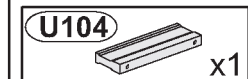
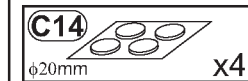


B - 550 mm
H - 474 mm
T - 382 mm

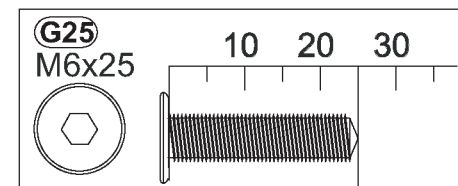
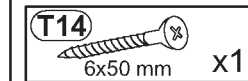
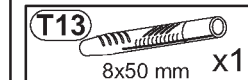
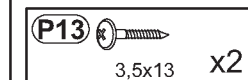
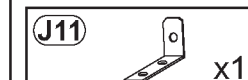


1,2	272x380x18	2	1/1
3	512x344x22	1	1/1
4	550x382x18	1	1/1
5	256,5x343x16	1	1/1
6	365x 30x16	1	1/1
7	129x 30x16	1	1/1
8	520x283x 3	1	1/1
9	380x184x15	1	1/1
10	380x184x15	1	1/1
11	520x 15x15	2	1/1
12	520x 15x15	1	1/1
13	377x256x15	1	1/1
14	326x140x12	1	1/1
15,16	302x140x12	2	1/1
17	337x300x 3	1	1/1

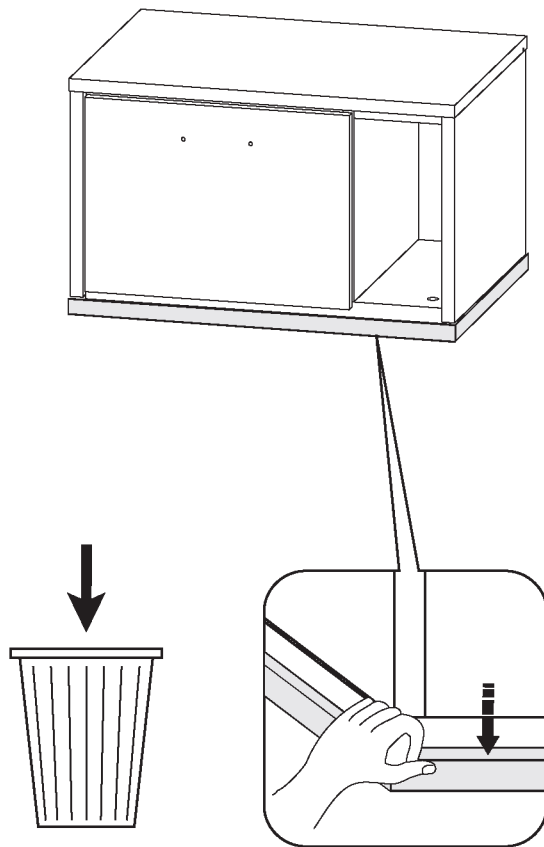
NR 1



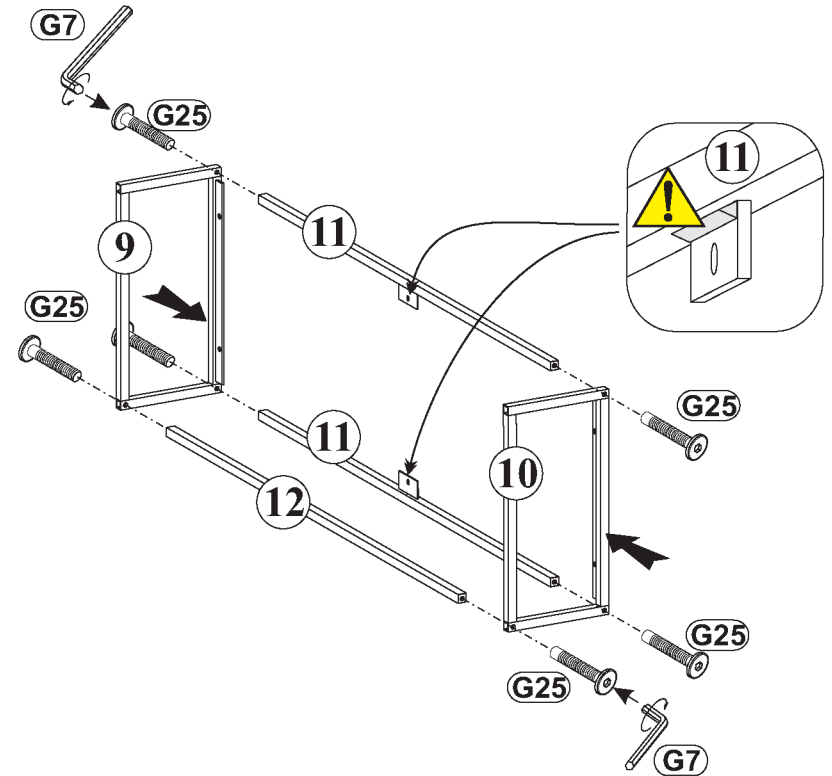
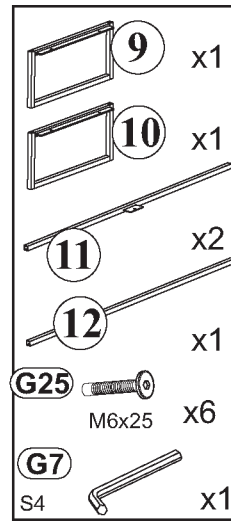
NR 2



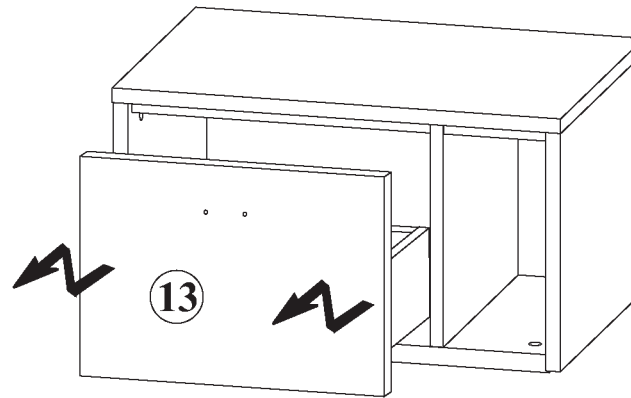
1




2

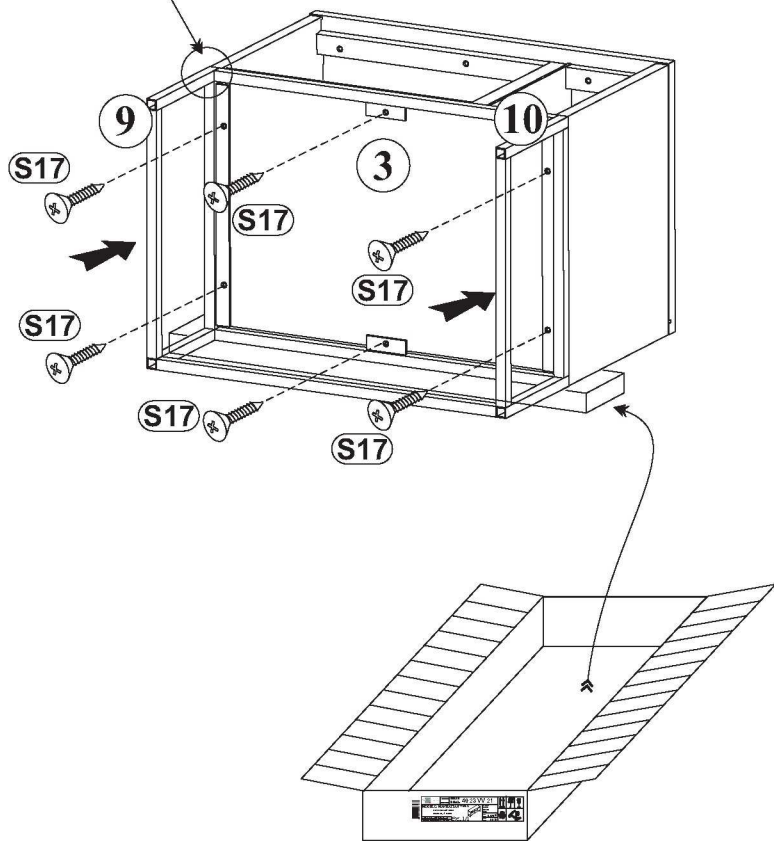
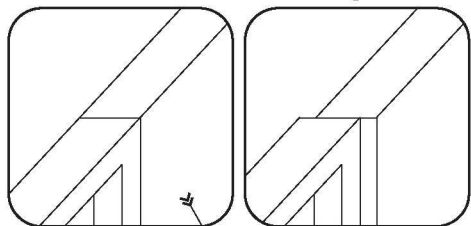


3




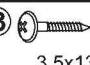
4

S17  3,5x20 x6



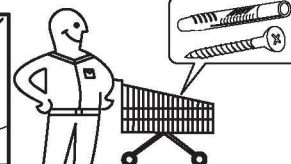
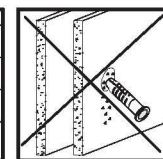
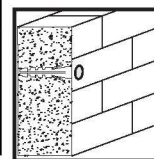
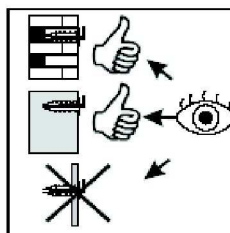
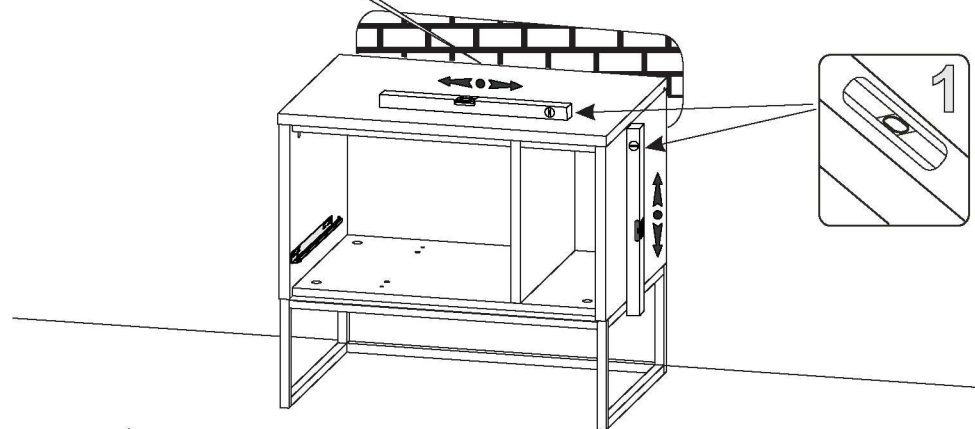
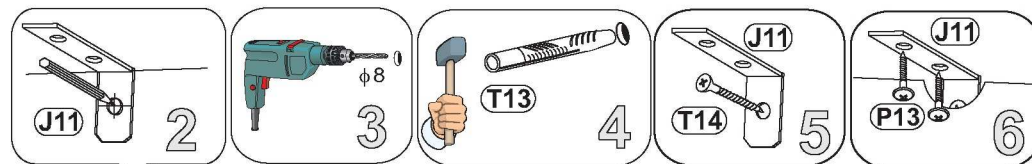
5




J11  x1

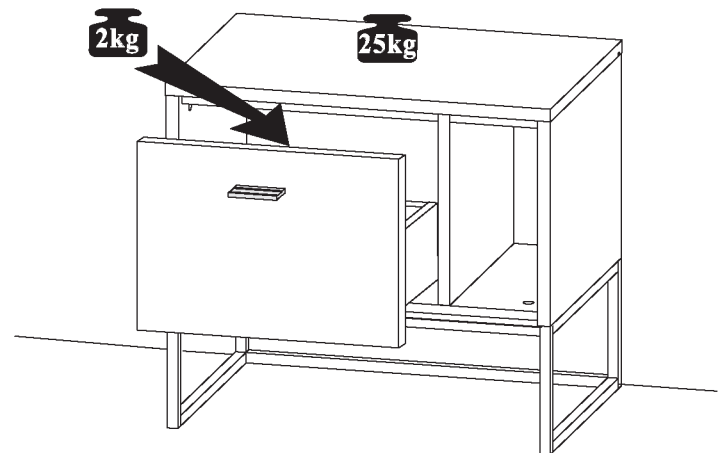
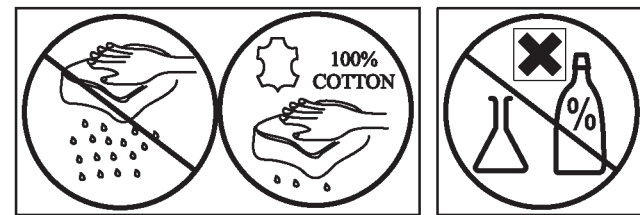
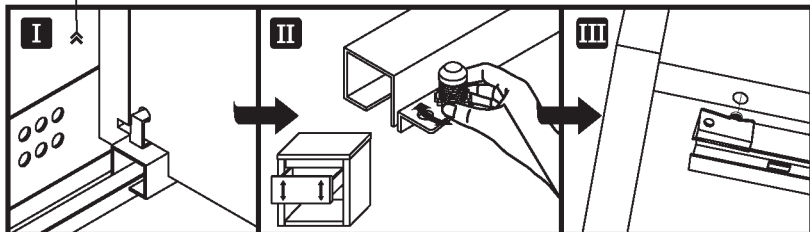
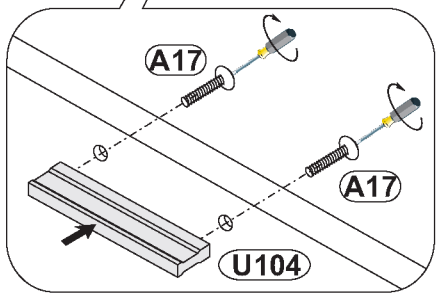
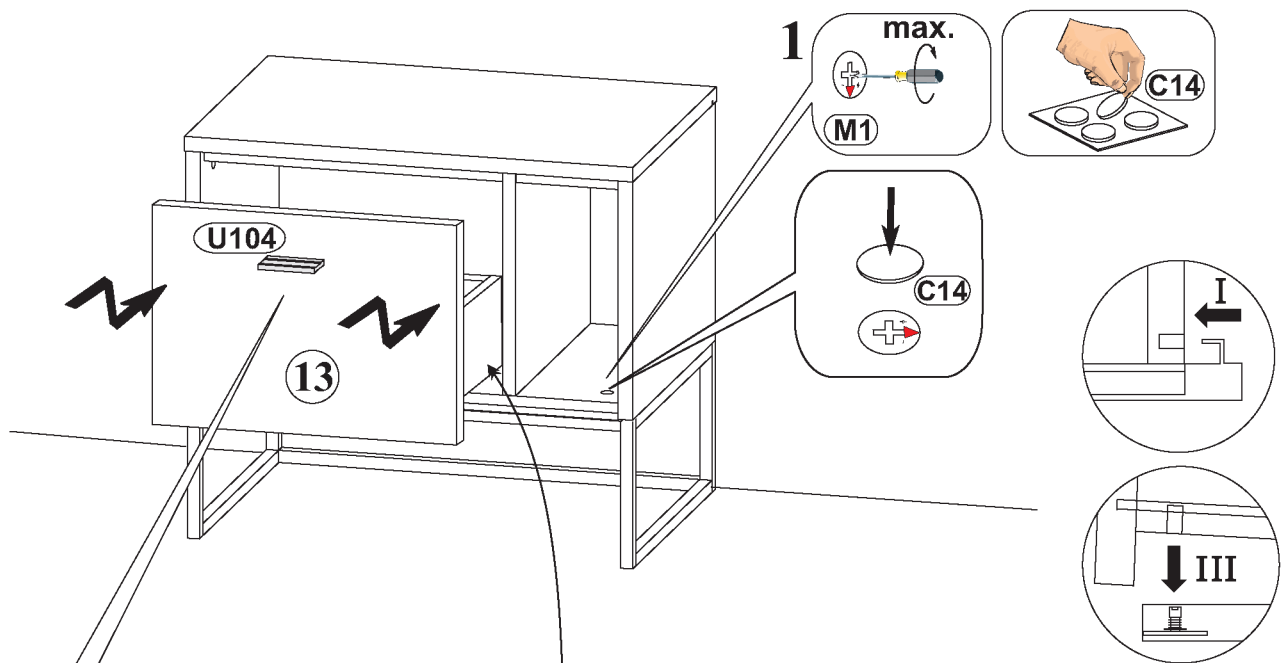
P13  3,5x13 x2

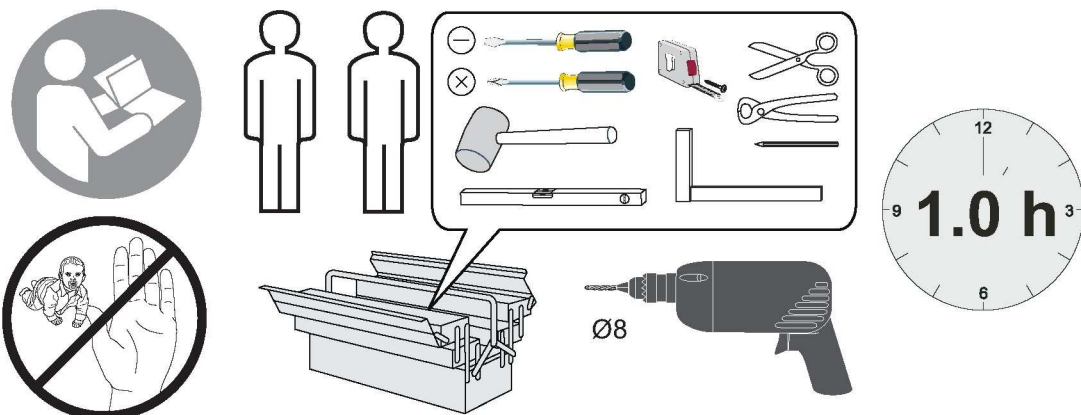
T13  8x50 mm x1

T14  6x50 mm x1

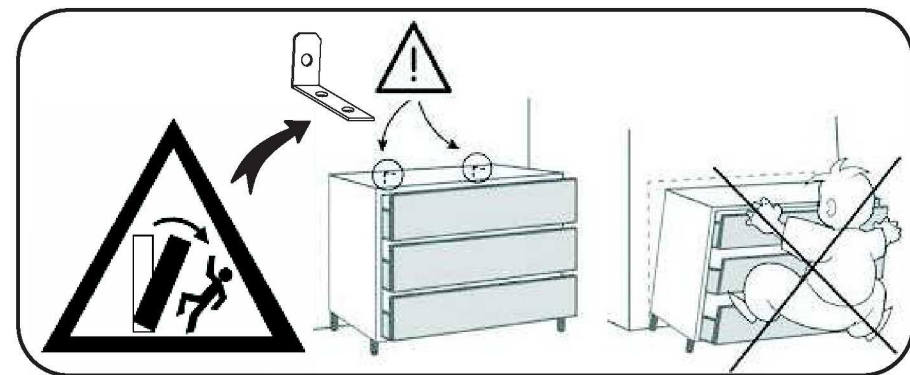
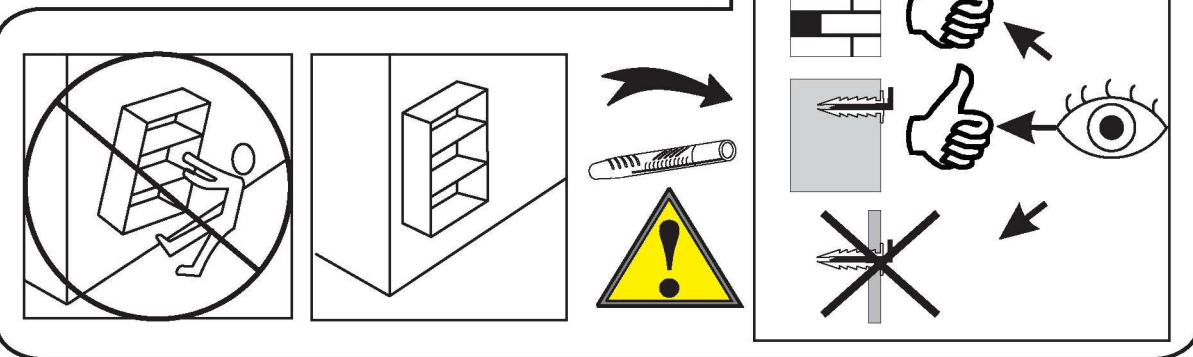
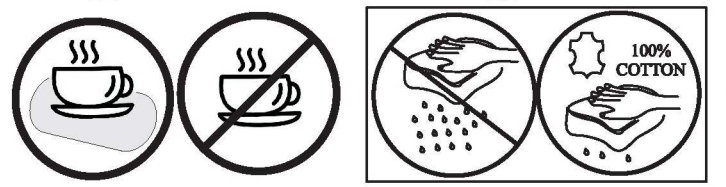
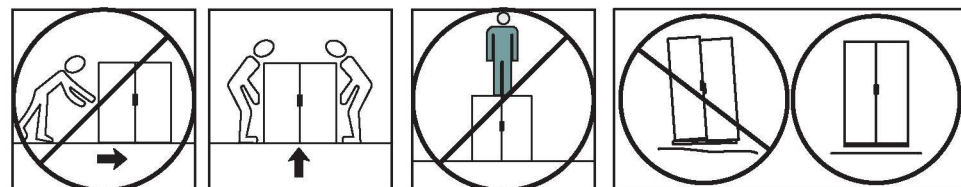
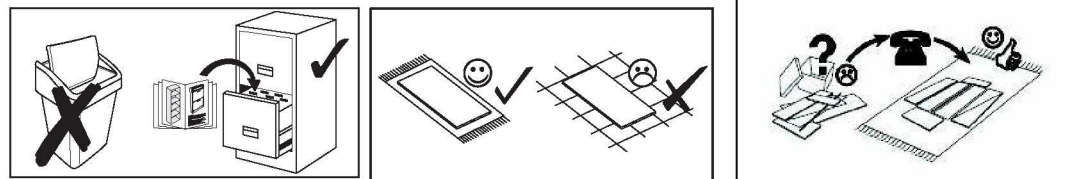
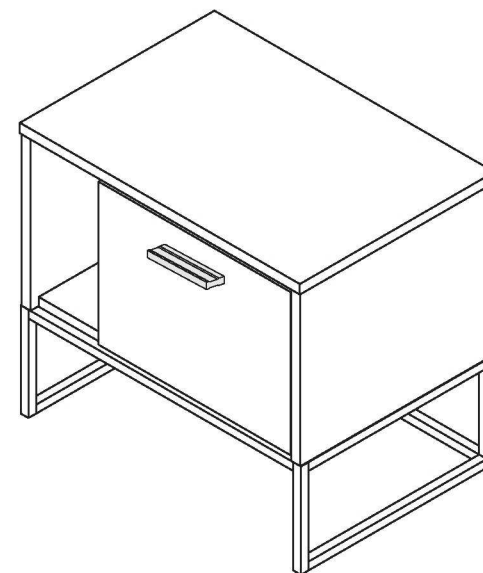


- 6** **C14**  x4
φ20mm
- U104**  x1
- A17**  x2
M4x20

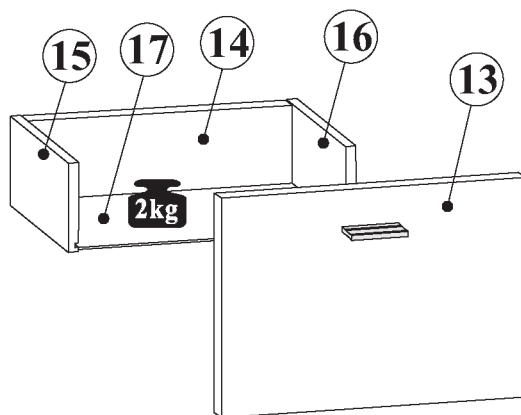
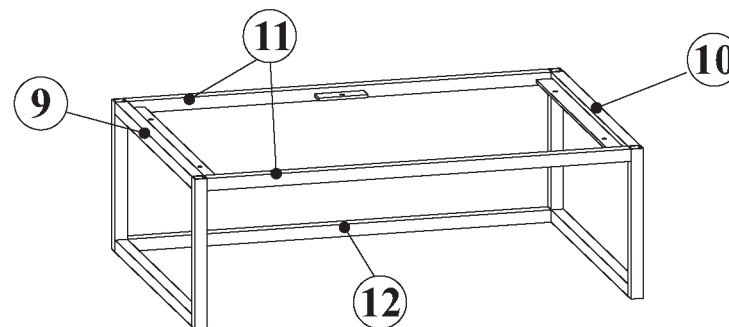
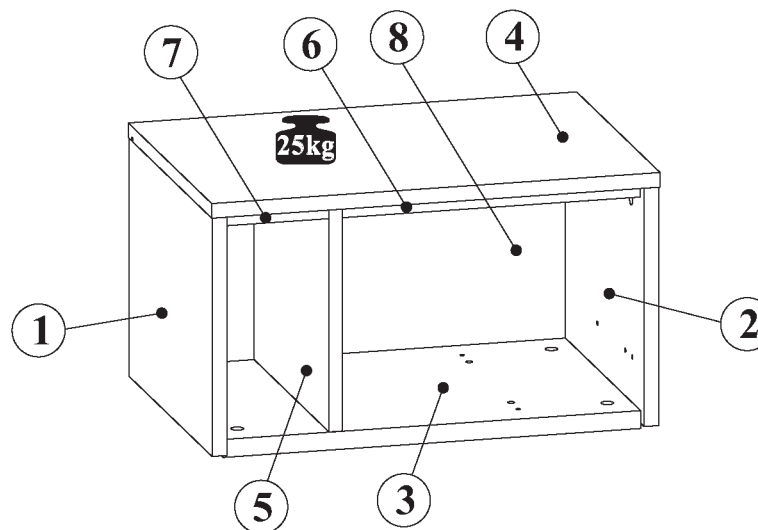
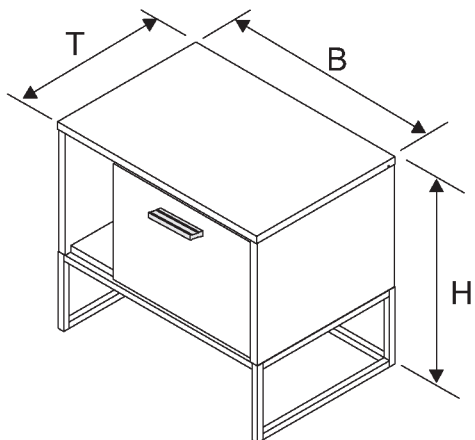




Rechts



B - 550 mm
H - 474 mm
T - 382 mm



1,2	272x380x18	2	1/1
3	512x344x22	1	1/1
4	550x382x18	1	1/1
5	256,5x343x16	1	1/1
6	365x 30x16	1	1/1
7	129x 30x16	1	1/1
8	520x283x 3	1	1/1
9	380x184x15	1	1/1
10	380x184x15	1	1/1
11	520x 15x15	2	1/1
12	520x 15x15	1	1/1
13	377x256x15	1	1/1
14	326x140x12	1	1/1
15,16	302x140x12	2	1/1
17	337x300x 3	1	1/1

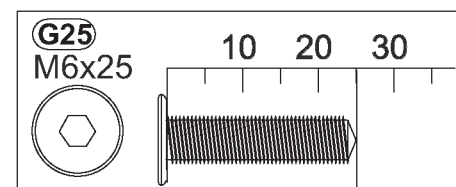
NR 1

- C14** x4
φ20mm
- U104** x1
- A17** x2
M4x20
- S17** x6
3,5x20

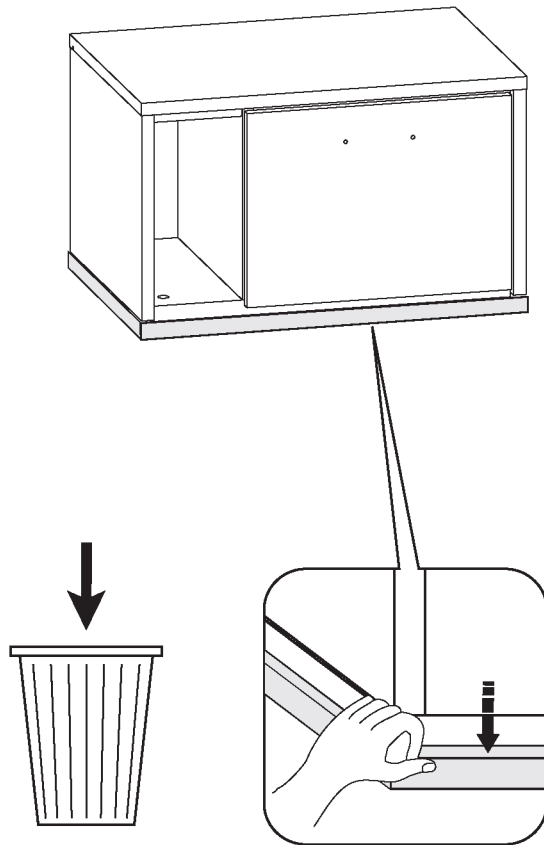
NR 2

- J11** x1
- P13** x2
3,5x13
- T13** x1
8x50 mm
- T14** x1
6x50 mm

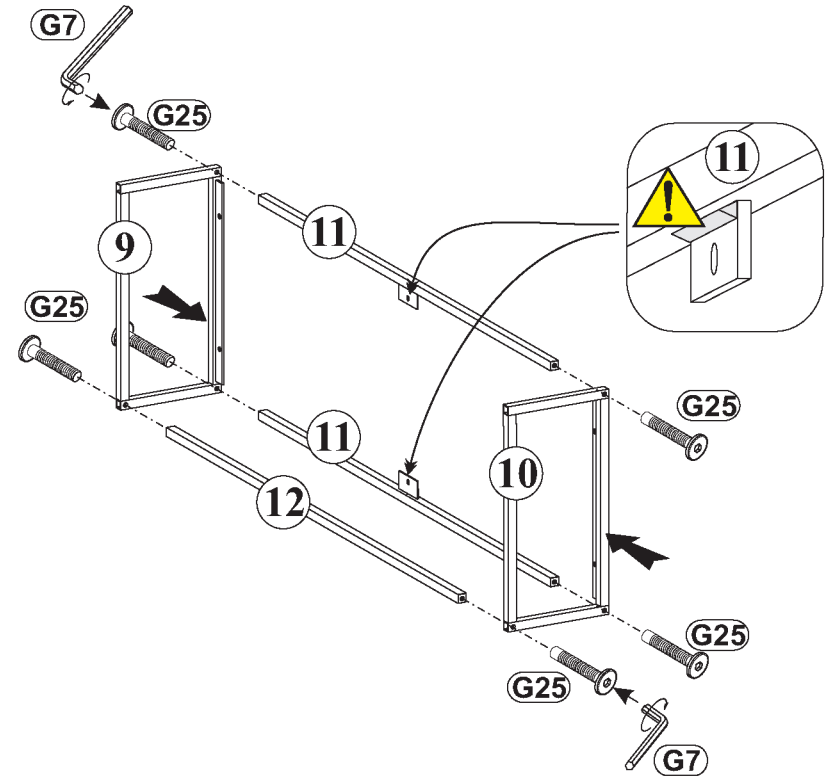
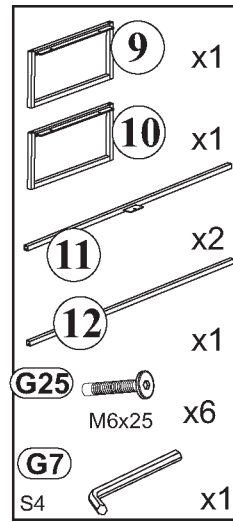
- 9** x1
- 10** x1
- 11** x2
- 12** x1
- G25** x6
M6x25
- G7** x1
S4



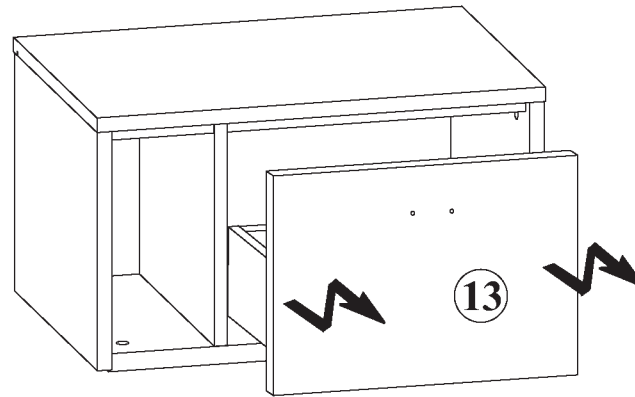
1



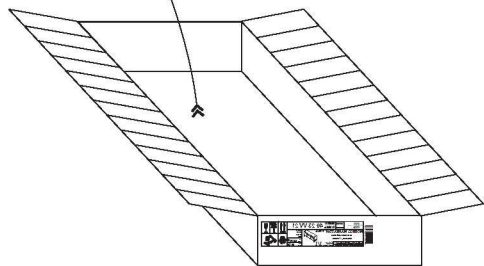
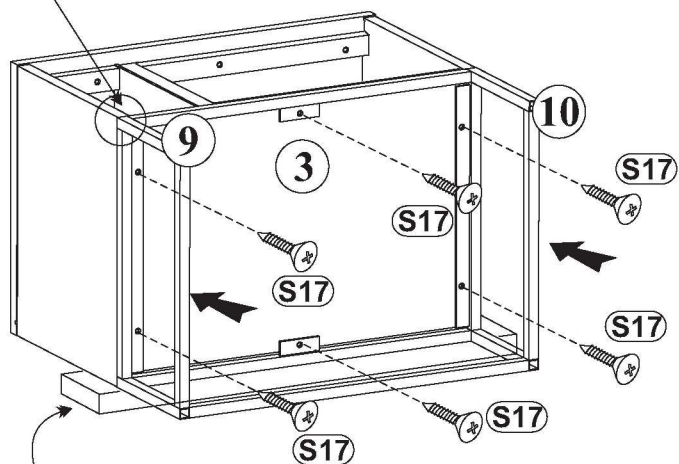
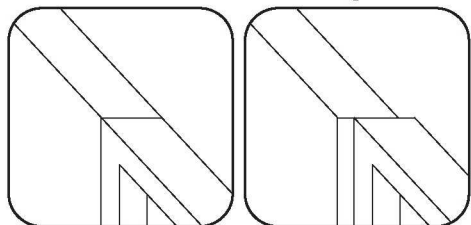
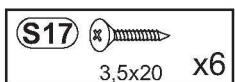
2



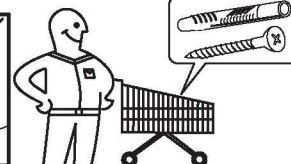
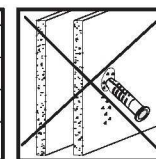
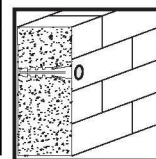
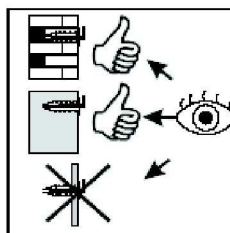
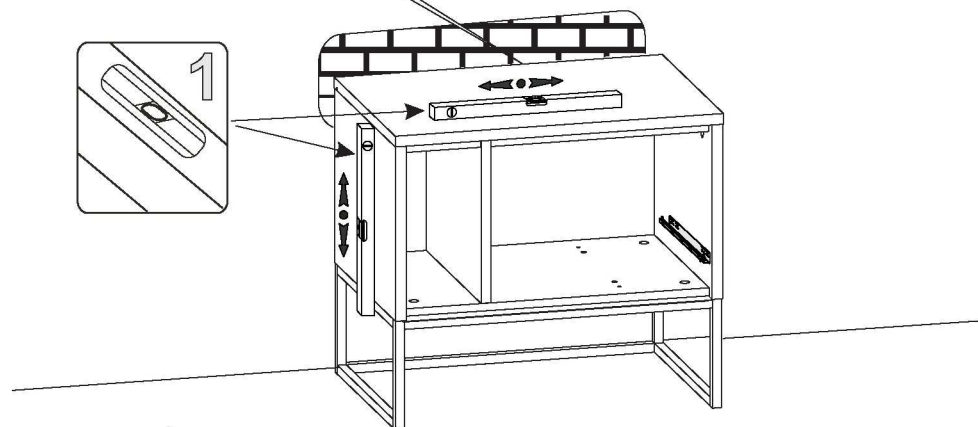
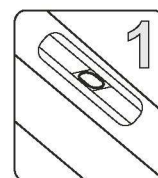
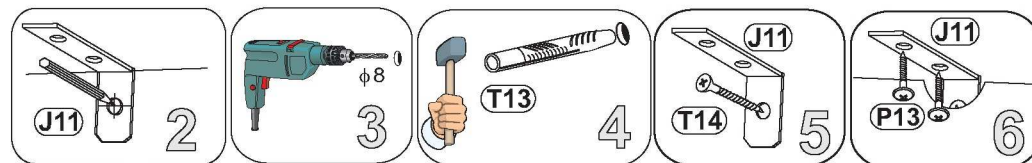
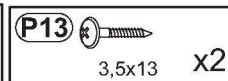
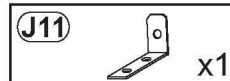
3

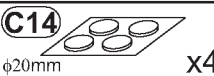
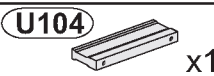



4



5



- 6** **C14**  $\phi 20\text{mm}$ x4
- U104**  x1
- A17**  M4x20 x2

