

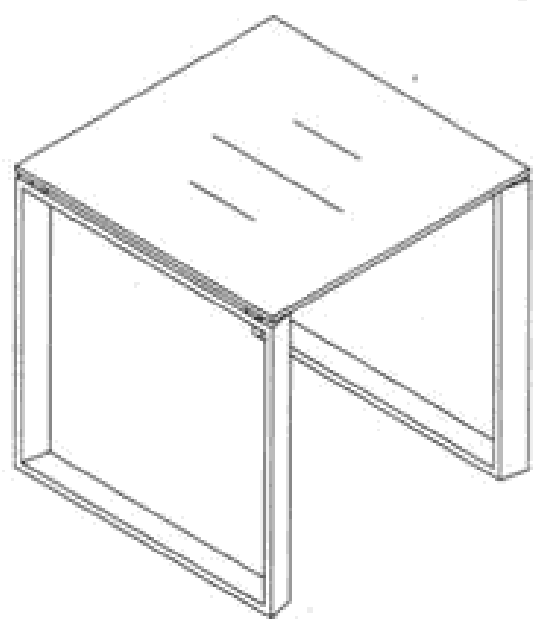

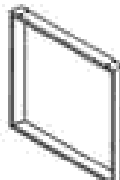

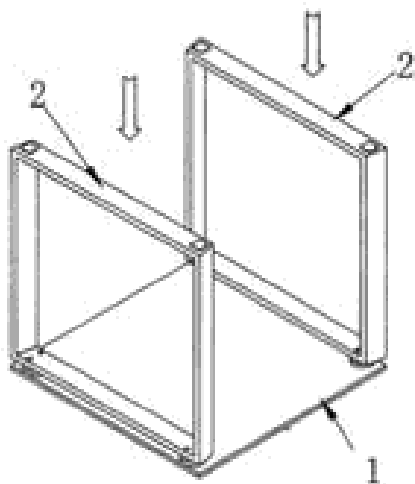


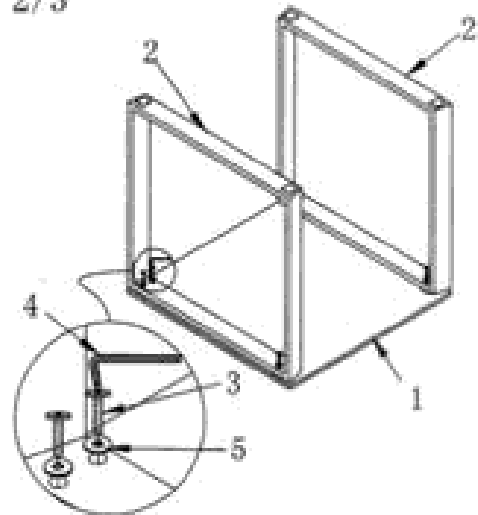
| PARTS LIST |   |      | HARDWEAR LIST |   |      | ASSEMBLED  |
|------------|---|------|---------------|---|------|--|
| 1          |  | 1pc  | 3             |  | 8pcs |  |
|            |   |      | 4             |  | 1pc  |  |
| 2          |  | 2pcs | 5             |  | 8pcs |  |
|            |   |      |               |   |      |  |
|            |   |      |               |   |      |  |
|            |   |      |               |   |      |  |

18780  
PoH 6382

Step 1/3



Step 2/3



Step 3/3

