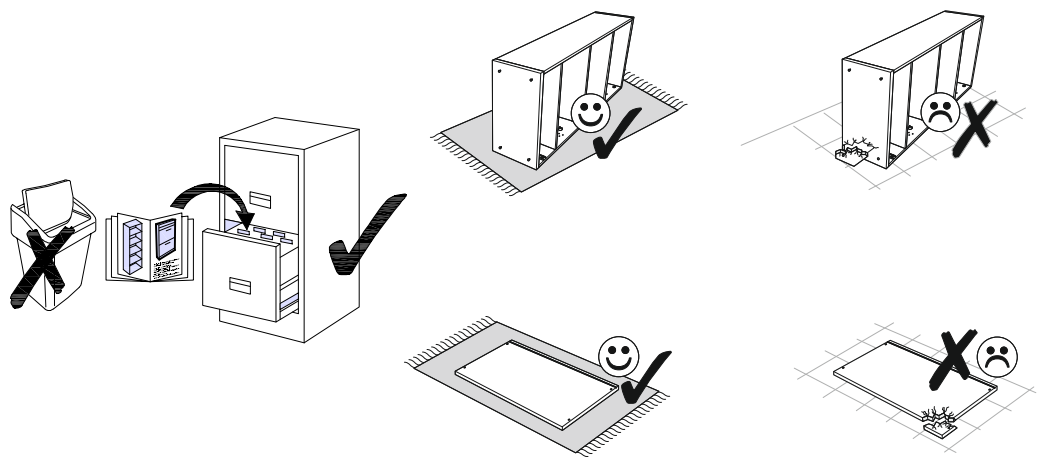
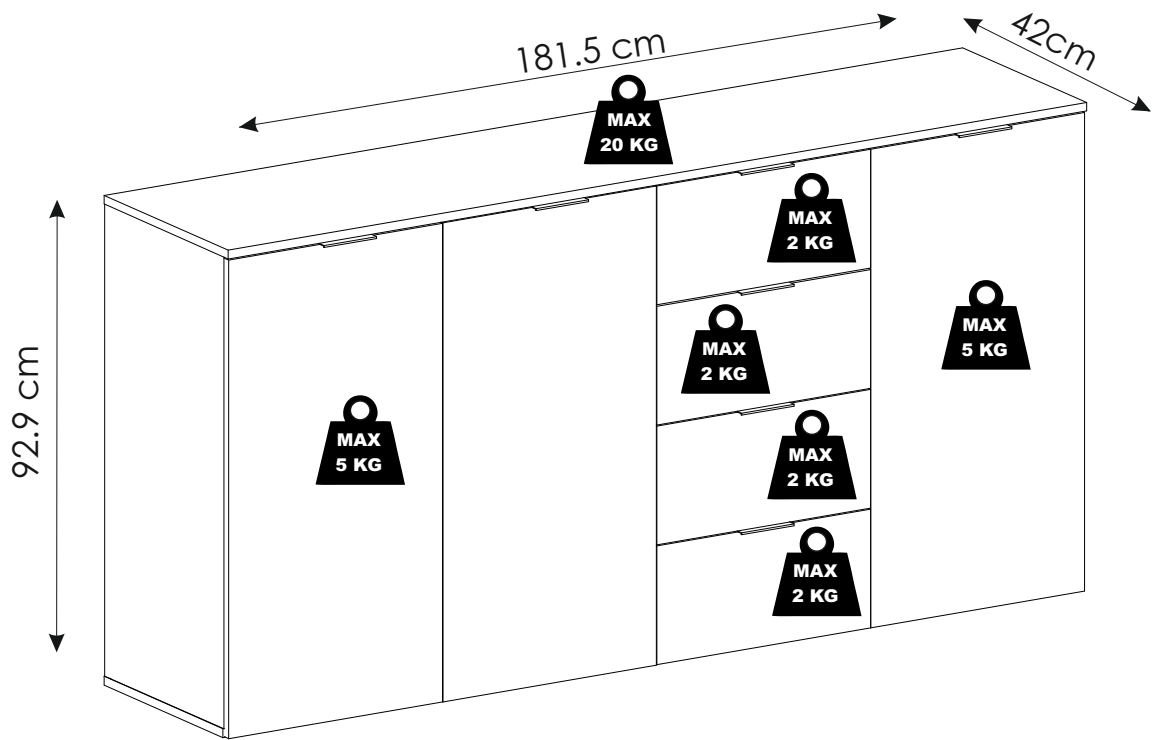
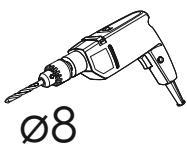
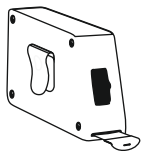
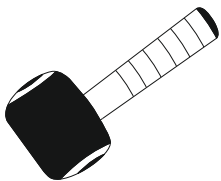
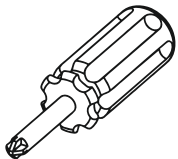
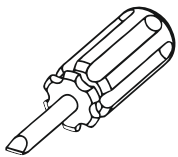
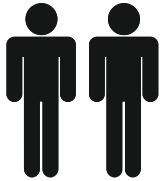
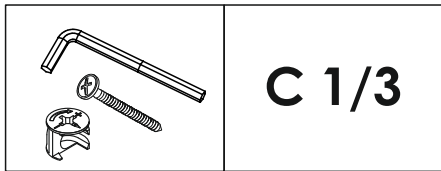
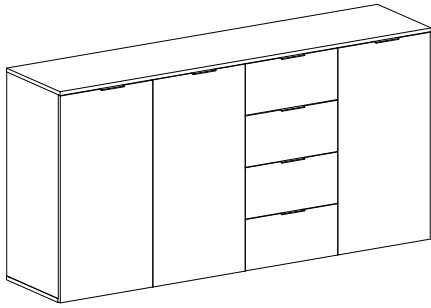




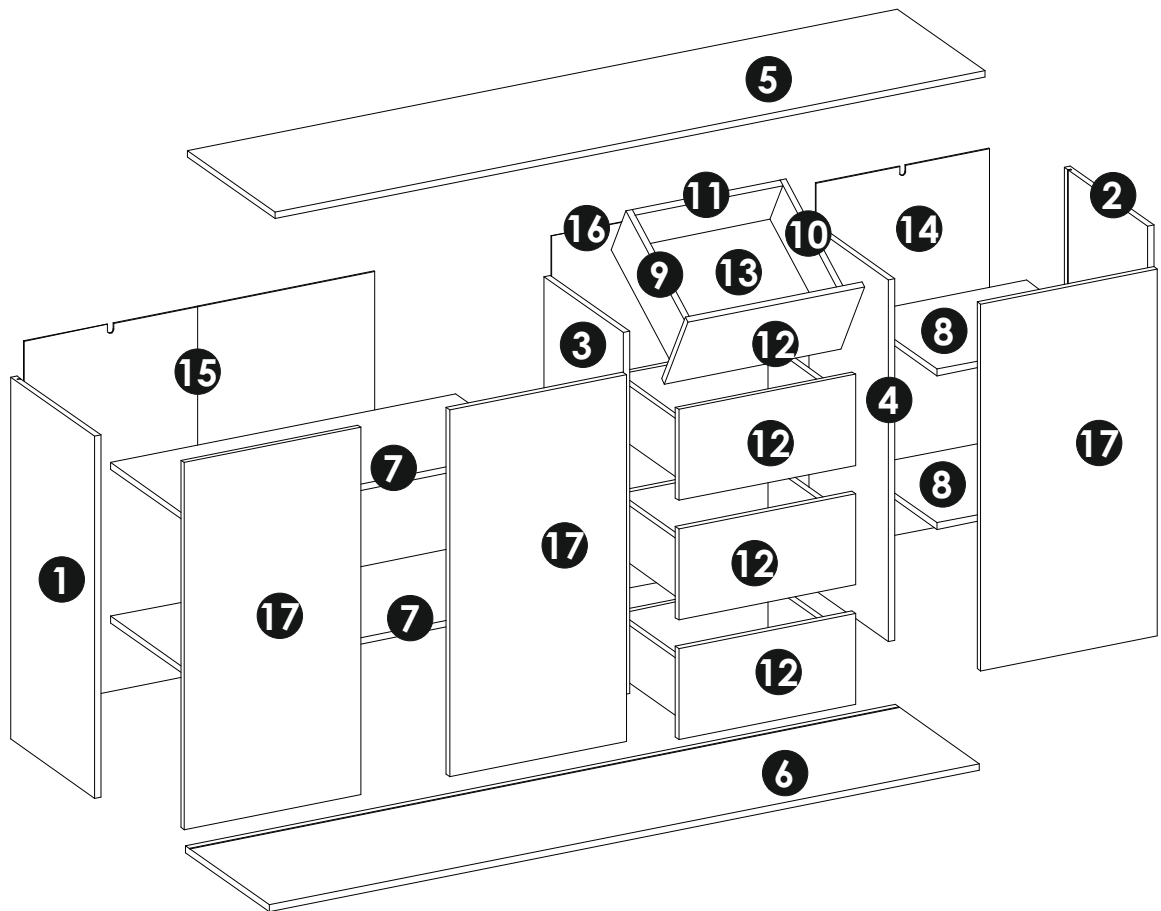
# Modell: KERA



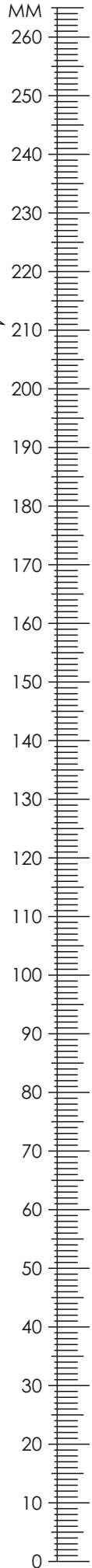
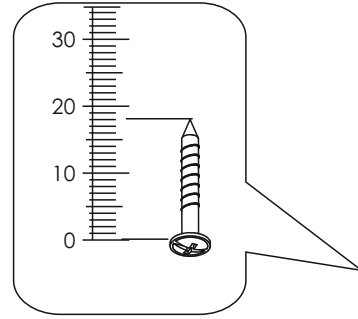
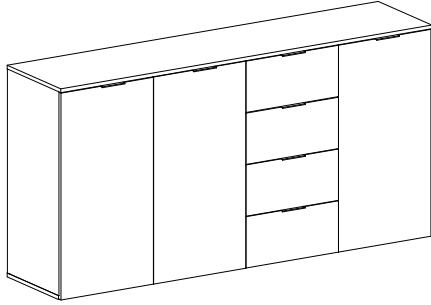


1	882	402	16	x1	1/3
2	882	402	16	x1	1/3
3	882	382	16	x1	1/3
4	882	382	16	x1	1/3
5	1815	420	16	x1	3/3
6	1815	420	16	x1	3/3
7	883	378	16	x2	1/3
8	430	378	16	x2	3/3
9	350	140	16	x4	3/3
10	350	140	16	x4	3/3
11	378	140	16	x4	3/3
12	450	220	16	x4	2/3

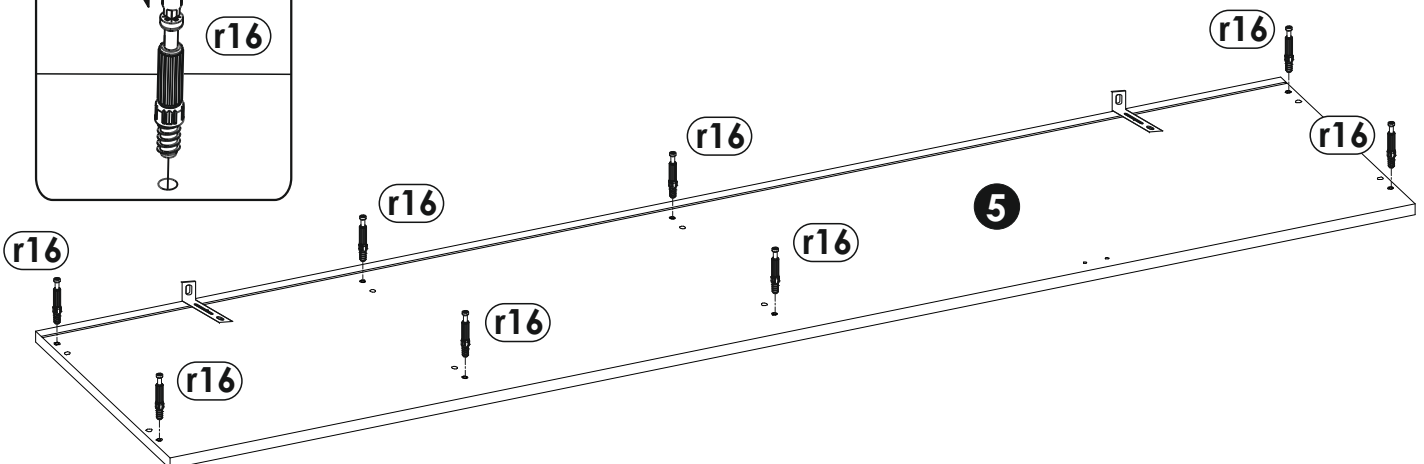
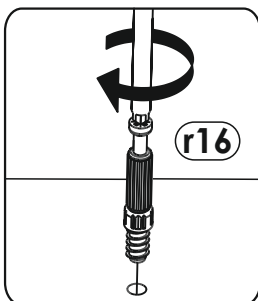
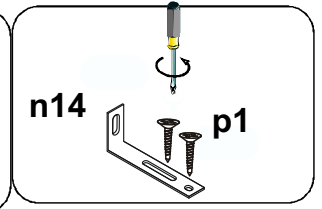
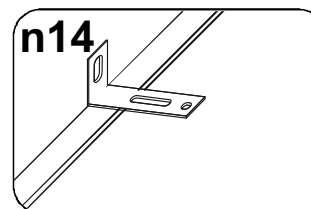
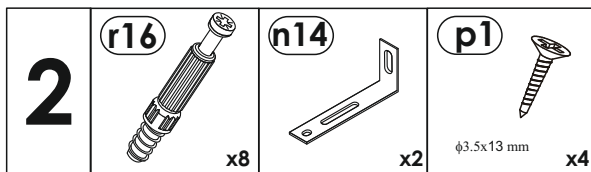
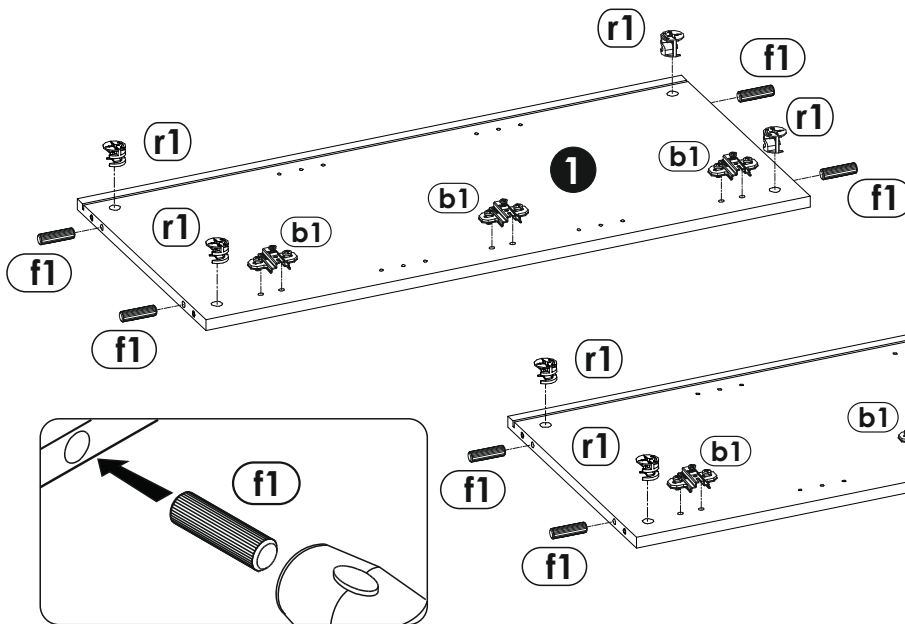
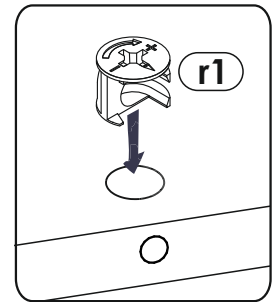
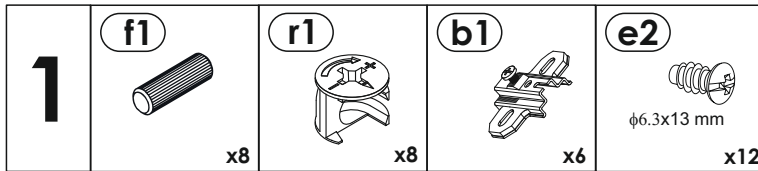
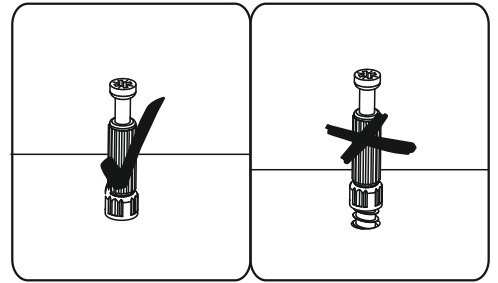
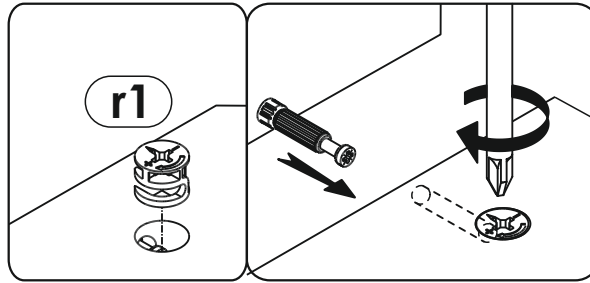
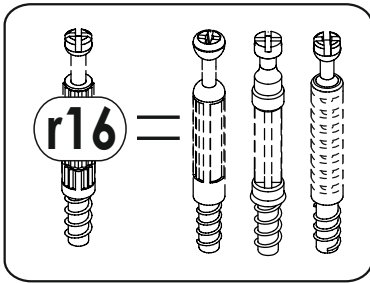
13	388	344	3	x4	2/3
14	896	444	3	x1	2/3
15	896	896	3	x1	2/3
16	896	450	3	x1	2/3
17	892	450	16	x3	2/3



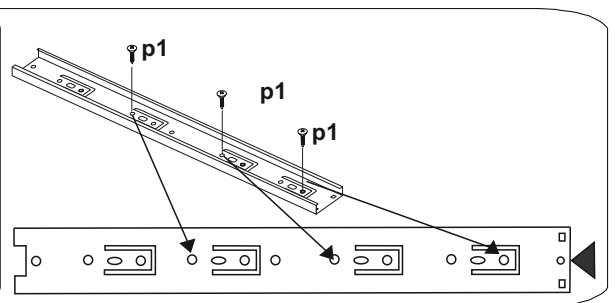
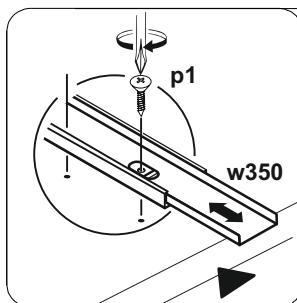
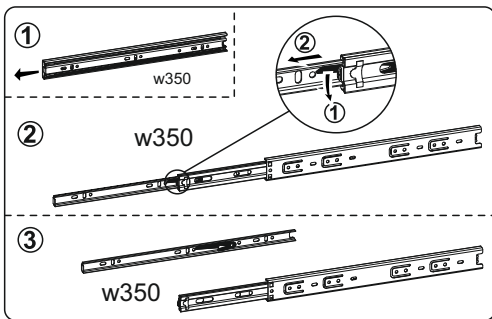
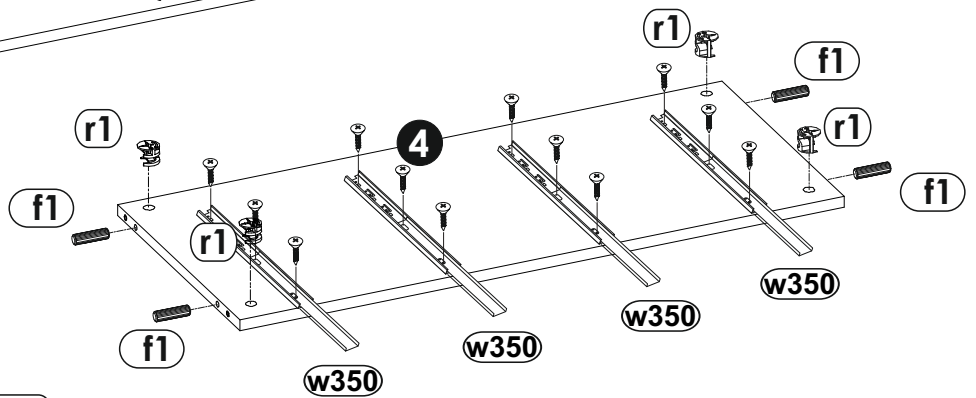
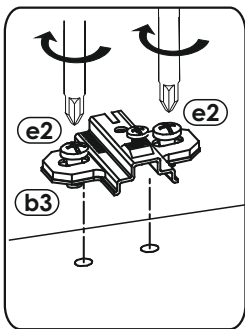
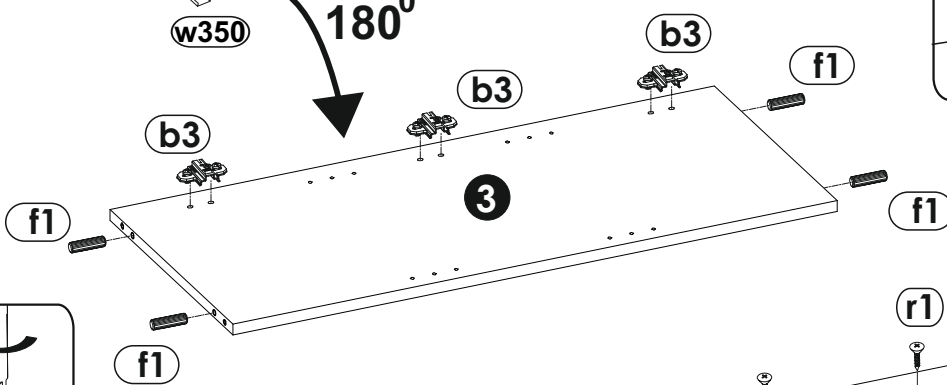
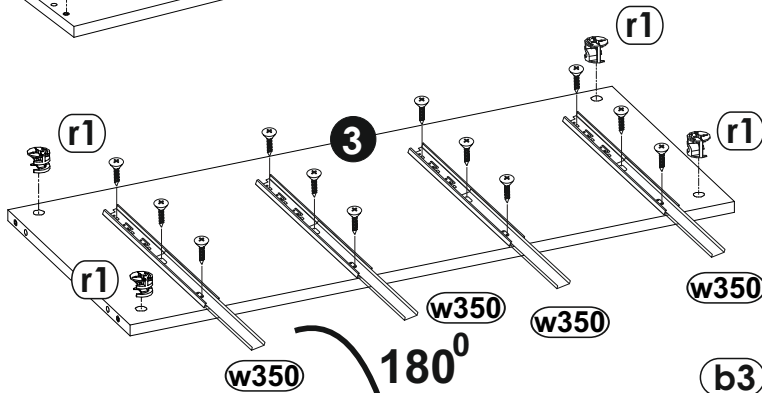
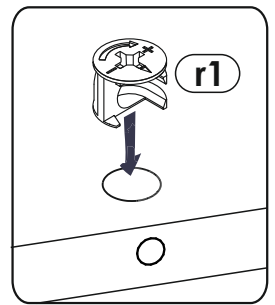
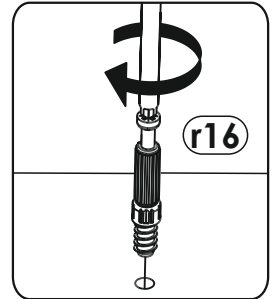
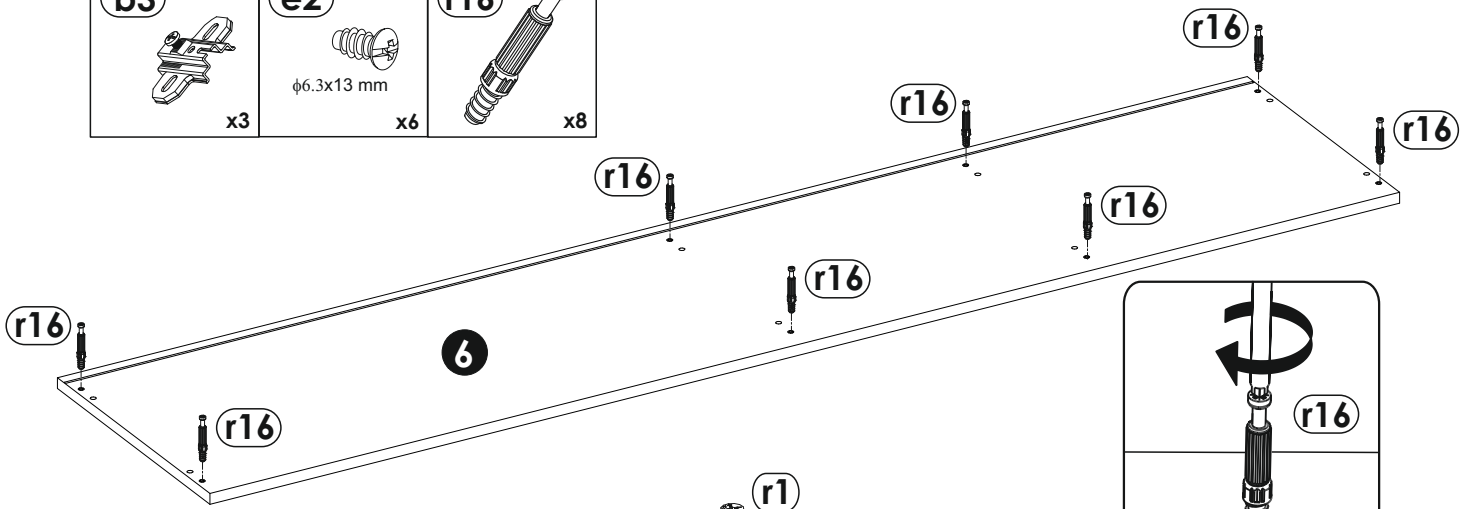
# KERA

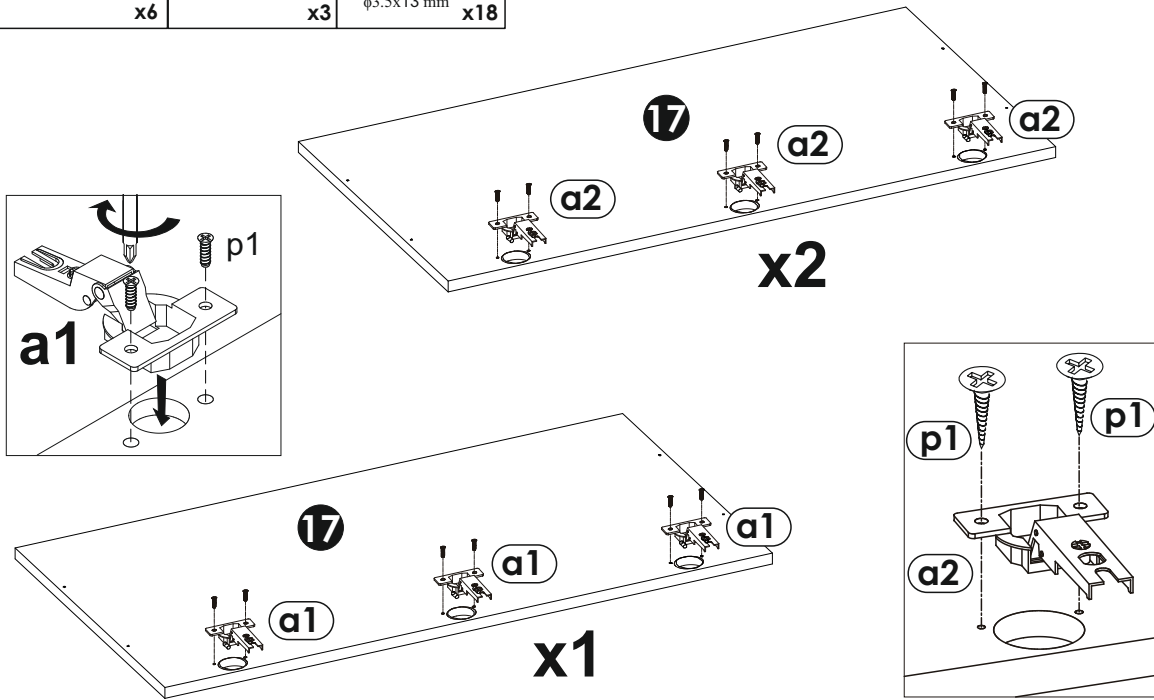
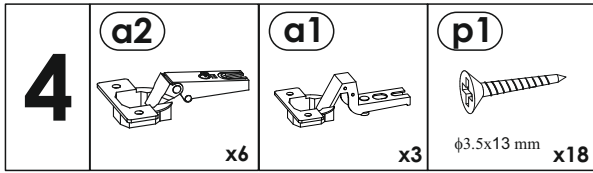


<b>A</b>	<b>d1</b>  φ5x17 mm x16	<b>r16</b>  6 x 34 mm x24	<b>r1</b>  15 x 12 mm x24
	<b>d3</b>  φ5x17 mm x2	<b>p4</b>  3.5 x 16 mm x12	<b>f1</b>  8 x 32 mm x48
<b>B</b>	<b>p70</b>  4 X 20 mm x5	<b>z1</b>  x1	<b>k33</b>  x5
	<b>e1</b>  6.3 x 50 mm x8	<b>p5</b>  4.2 x 13 mm x14	
<b>C</b>	<b>p1</b>  3.5 X 13 mm x70	<b>i9</b>  x12	<b>s2/a</b>  x16
	<b>s2/b</b>  x8	<b>i2</b>  x30	<b>s1</b>  x8
<b>D</b>	<b>n14</b>  x2	<b>f17</b>  φ8x50 mm x2	<b>o21</b>  x12
	<b>w350</b>  L350 mm x4	<b>b1 + a2 + e2</b>  x6  x6  x12	<b>b1 + a1 + e2</b>  x3  x3  x6
	<b>c32</b>  250 mm x7		

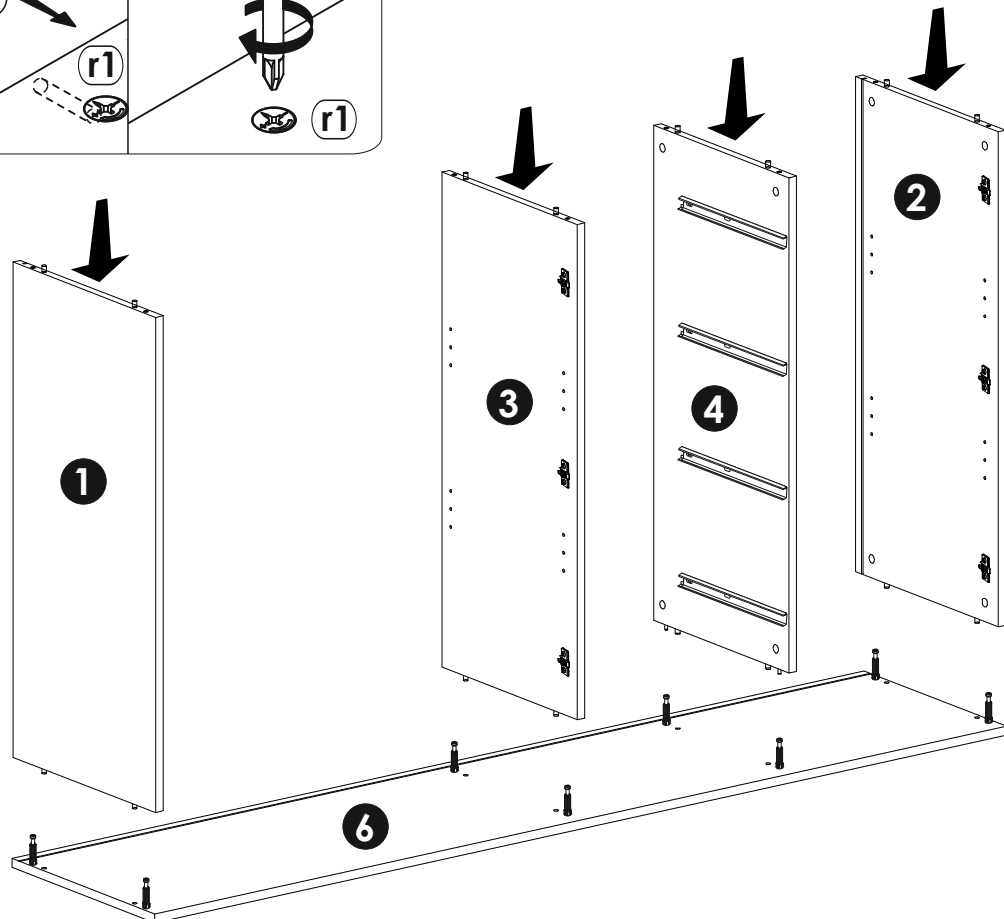
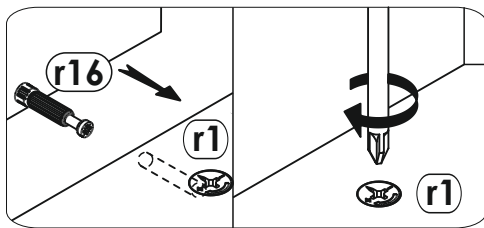


<b>3</b>	<b>w350</b> L350 mm x8	<b>p1</b> φ3.5x13 mm x24	<b>f1</b> x8	<b>r1</b> x8
	<b>b3</b> x3	<b>e2</b> φ6.3x13 mm x6	<b>r16</b> x8	

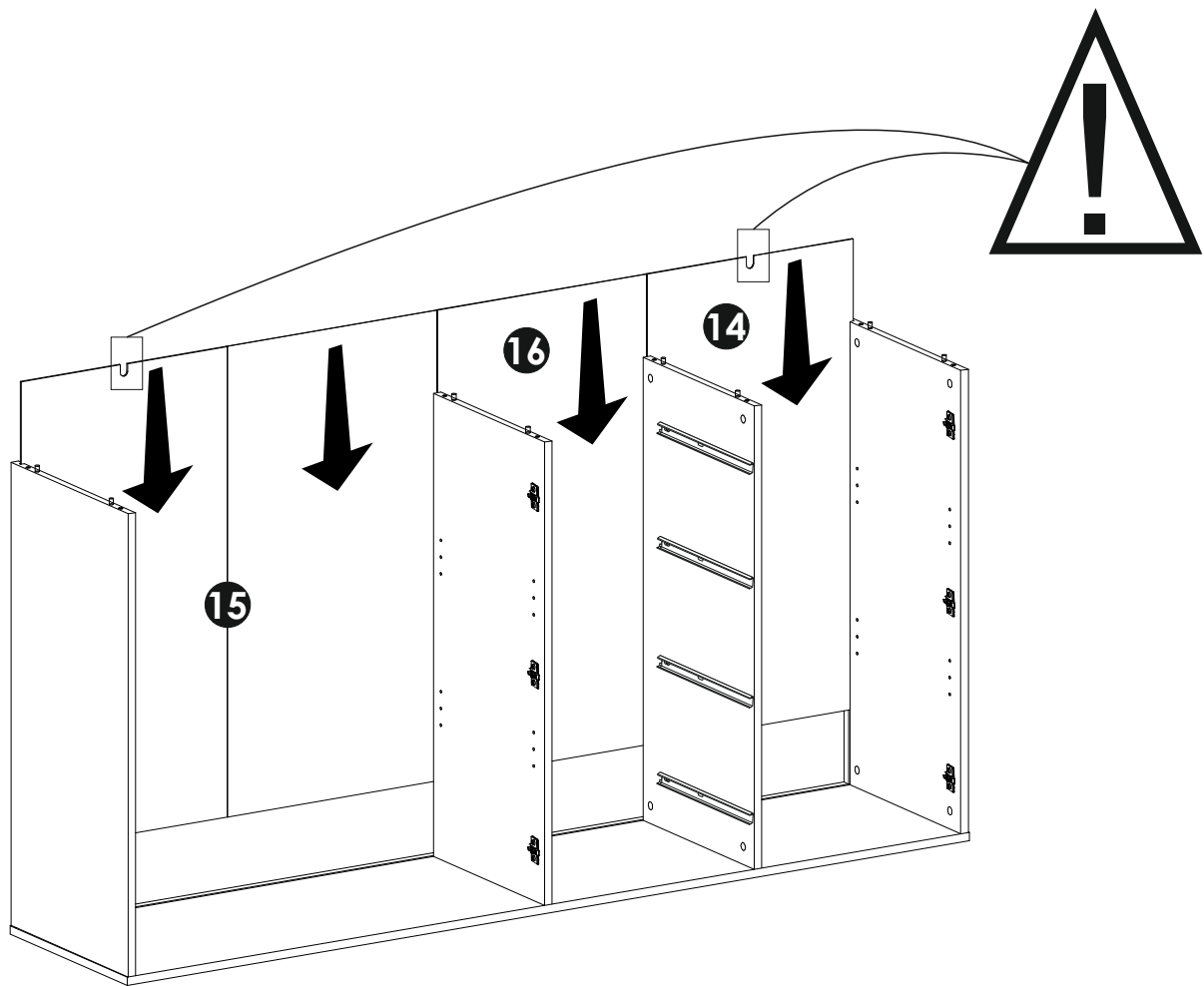




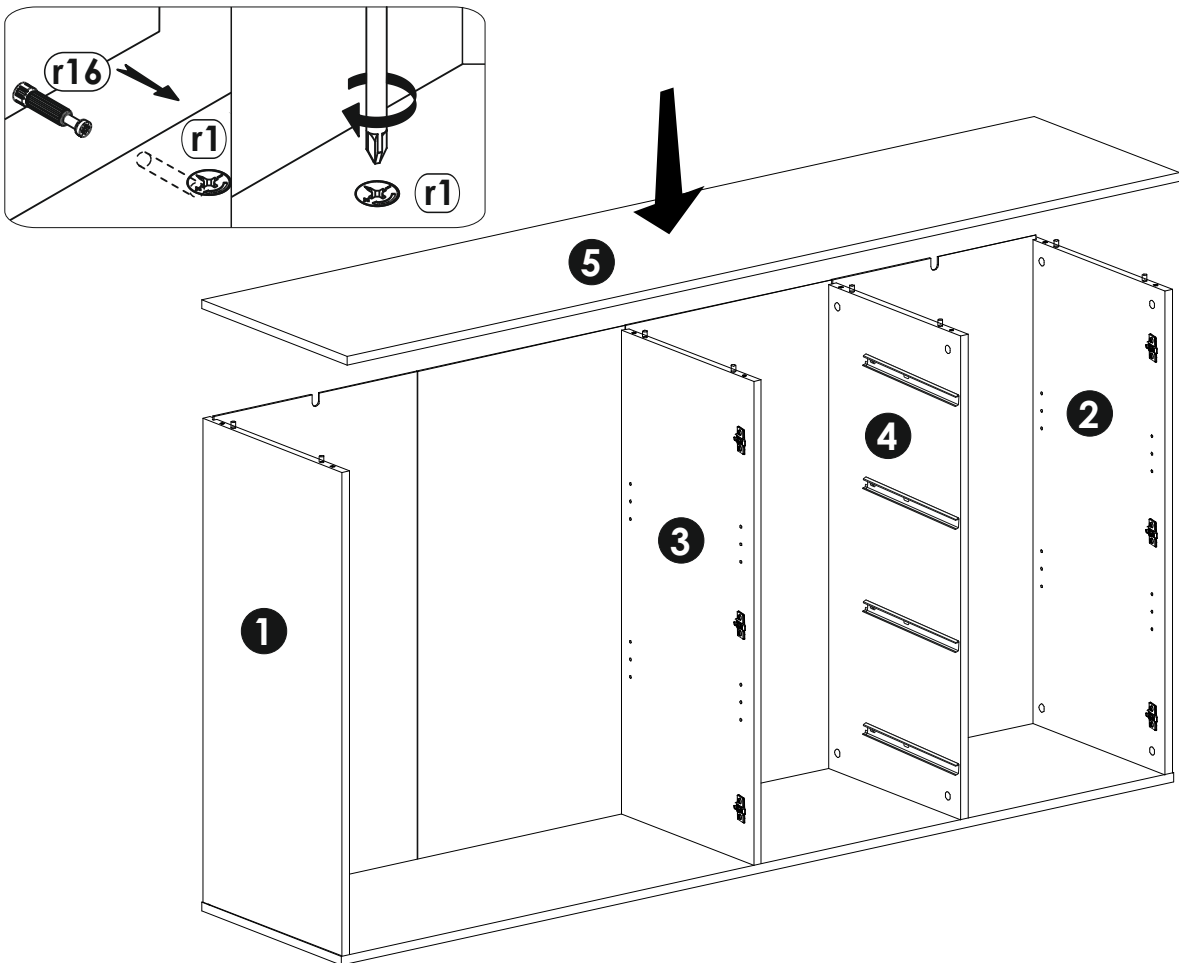
**5**

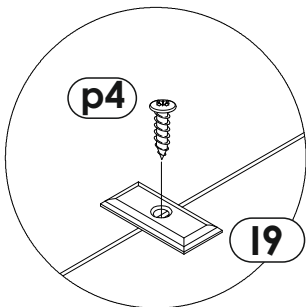
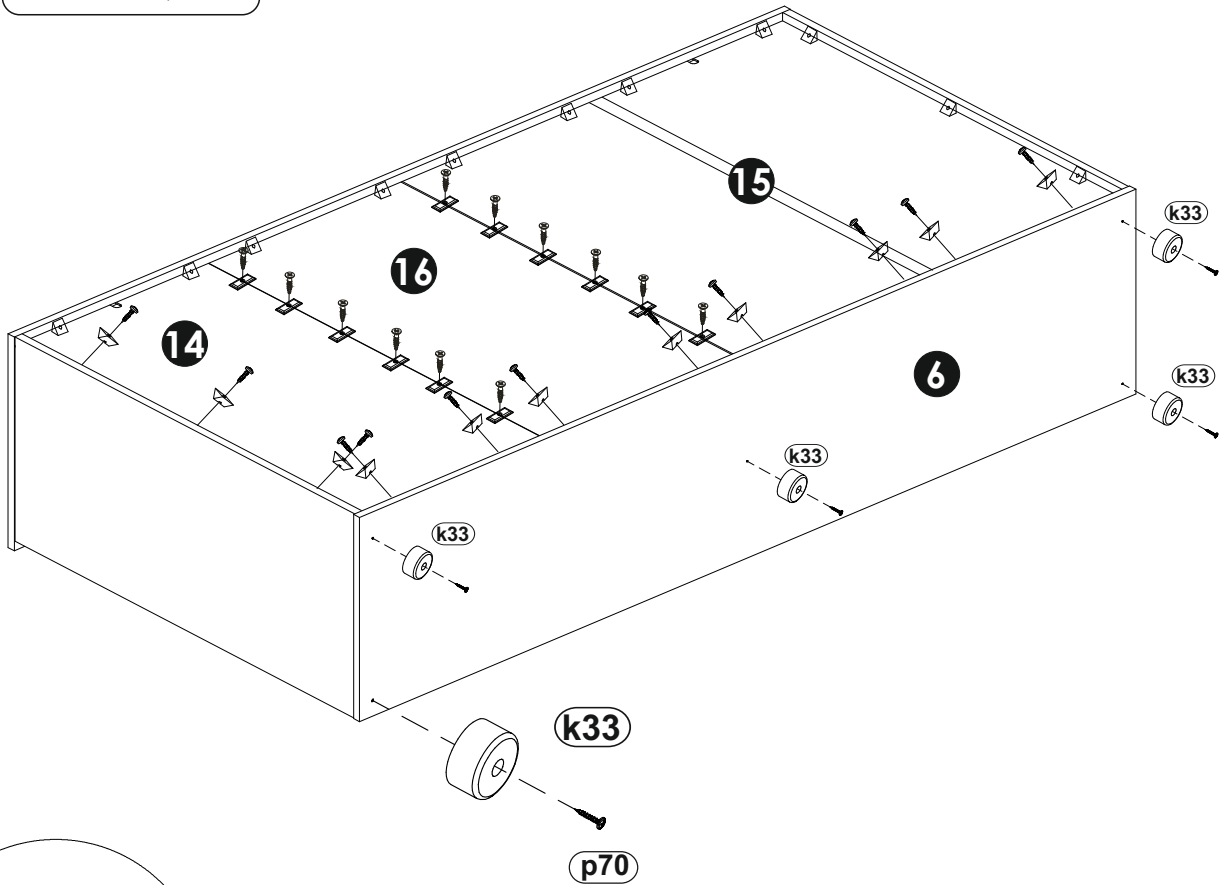
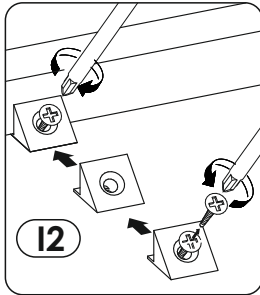
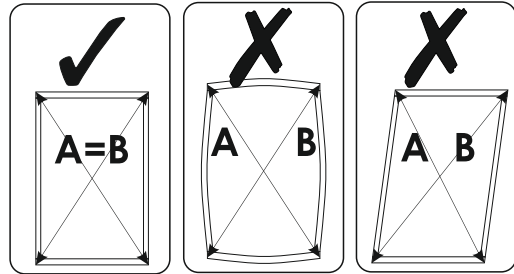
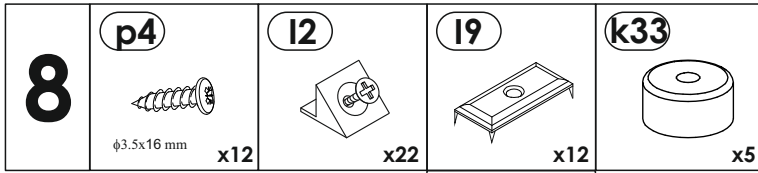


6

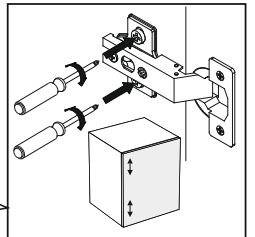
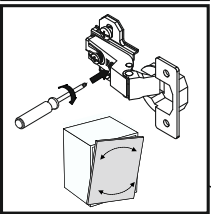
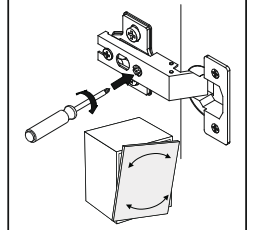
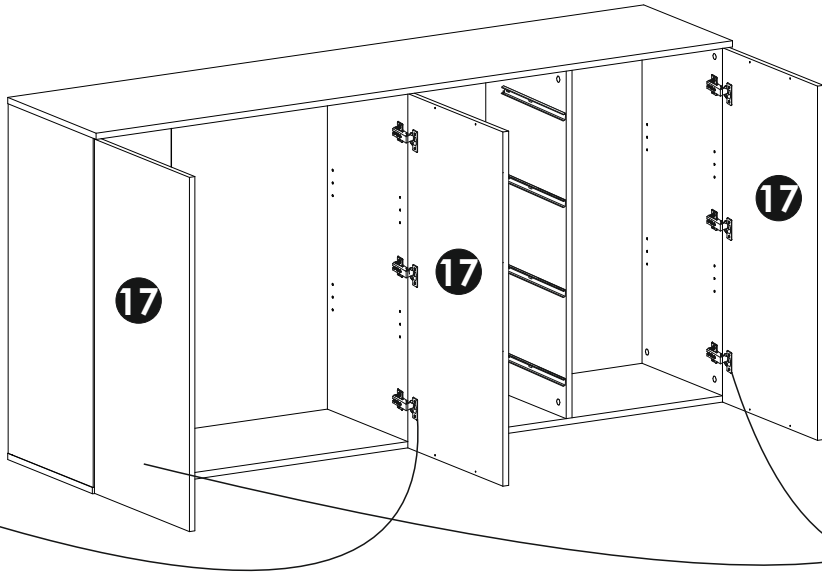
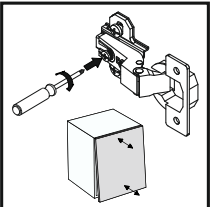
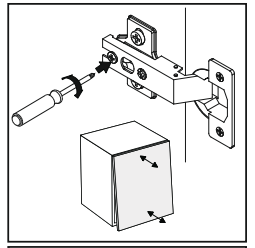
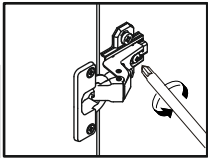
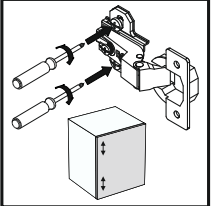
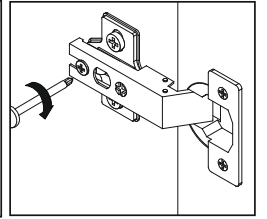
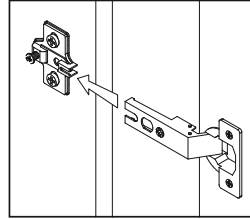
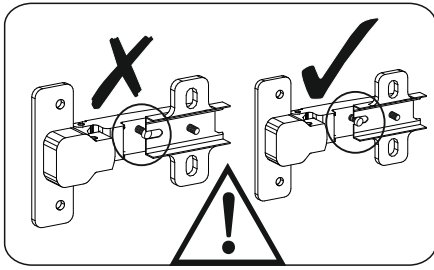
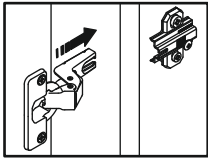


7

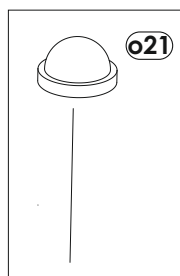
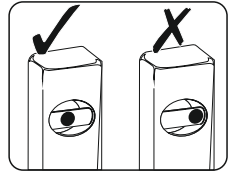
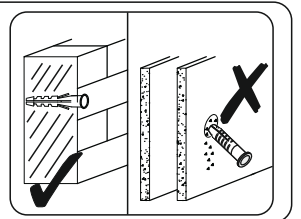
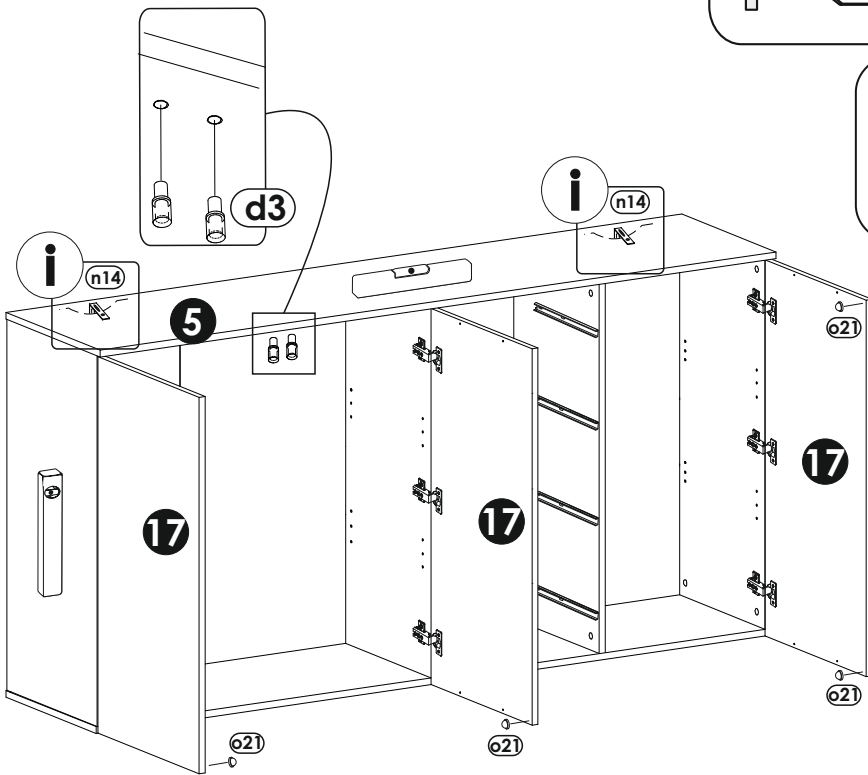
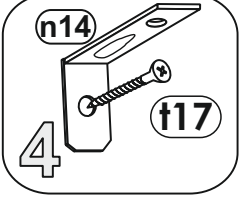
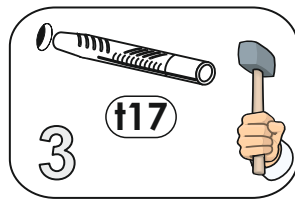
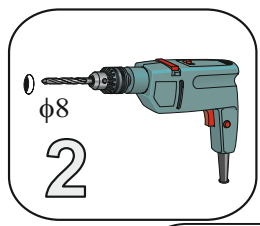
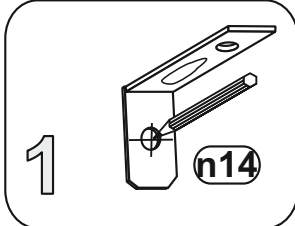
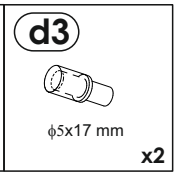
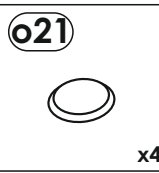


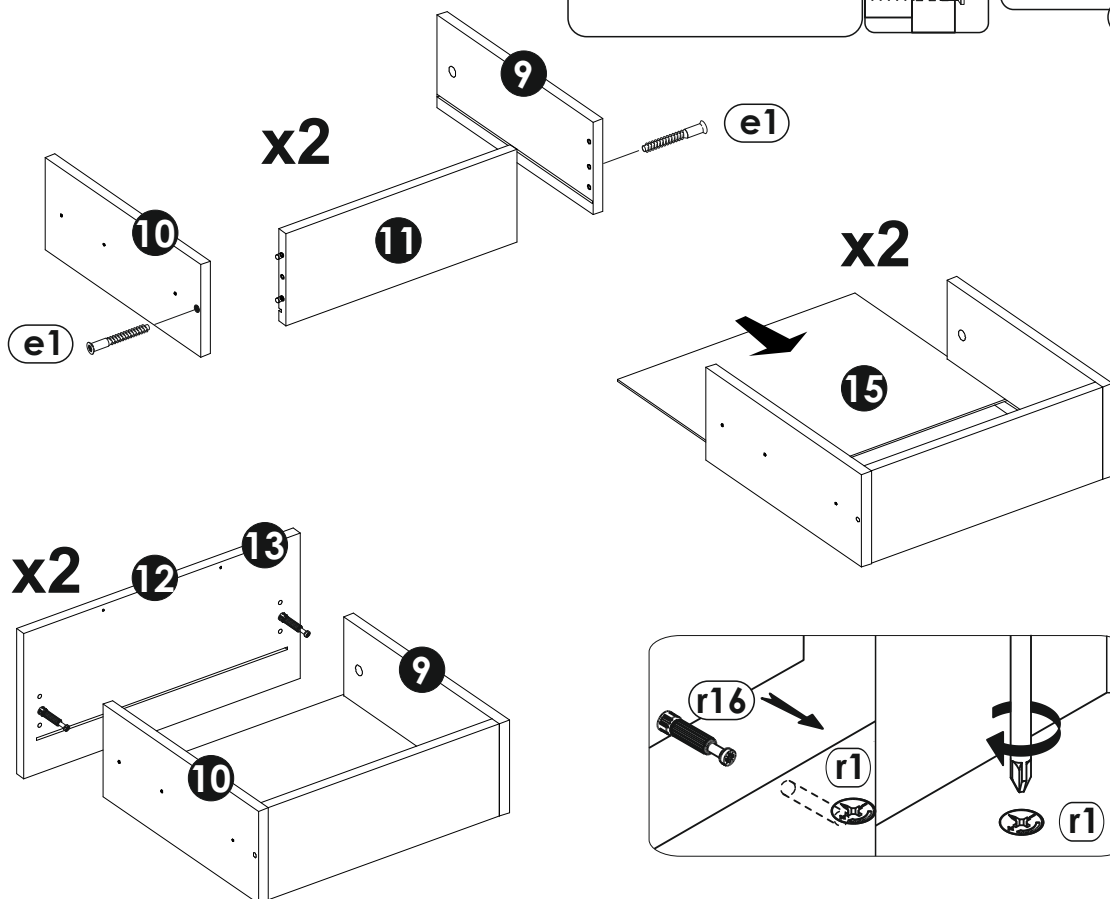
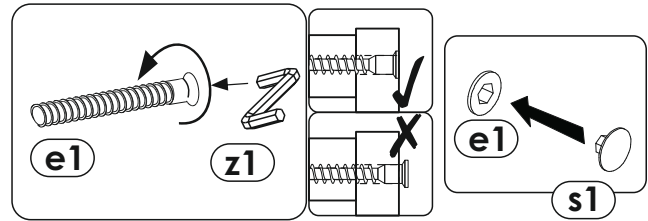
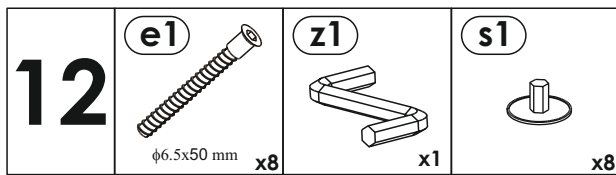
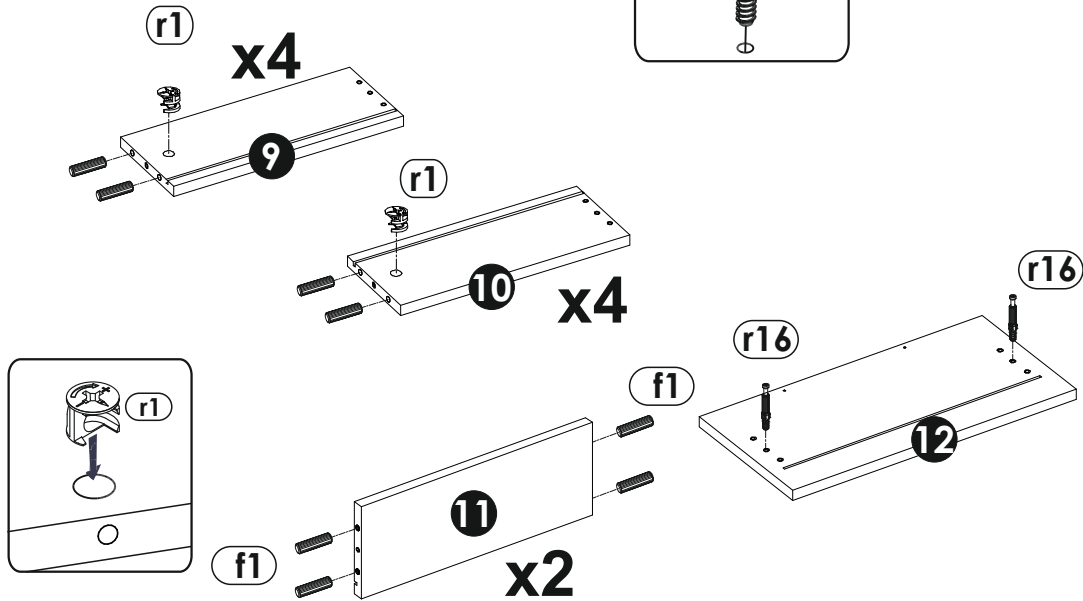
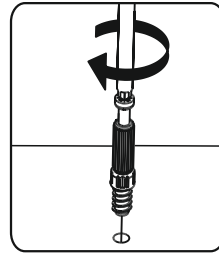
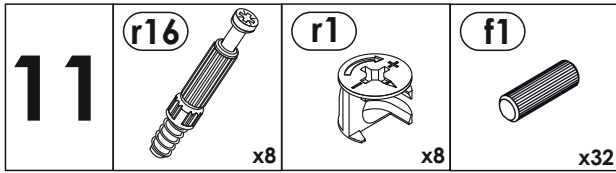


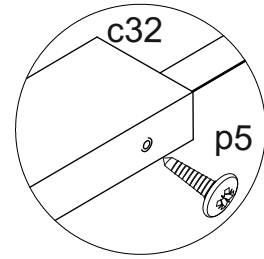
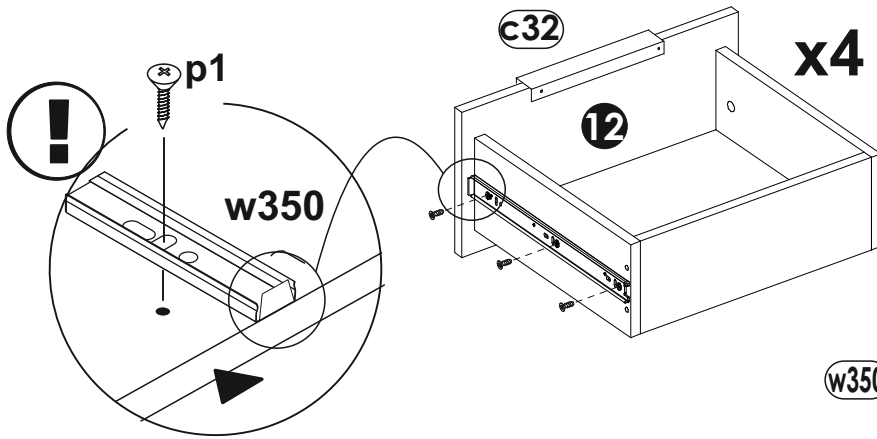
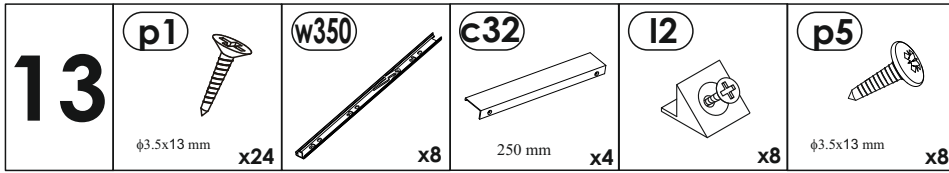
9



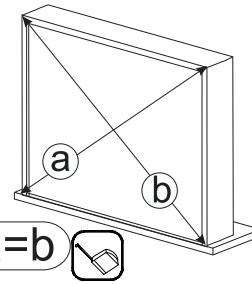
10



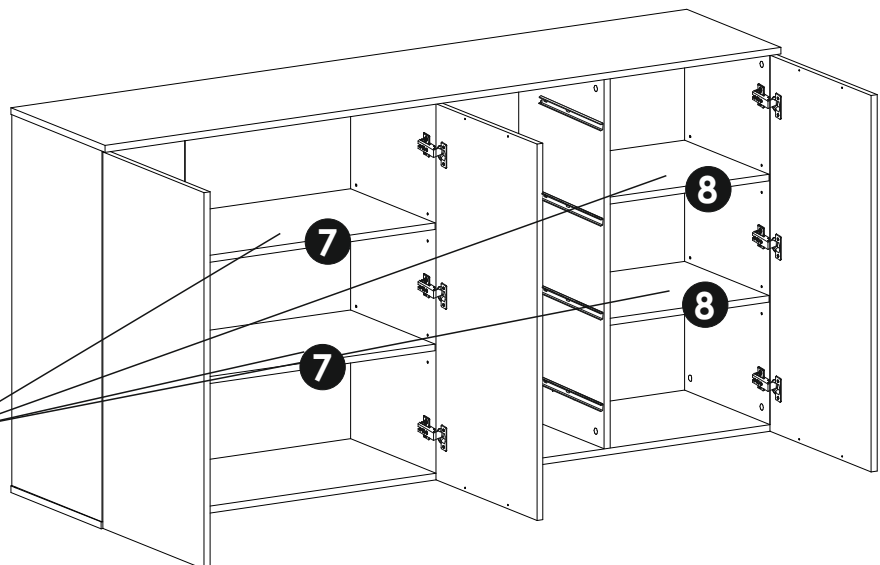
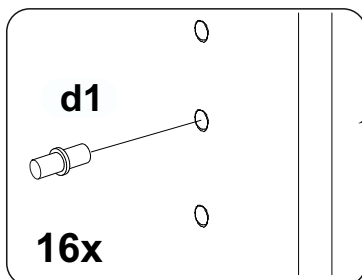
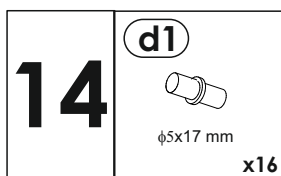
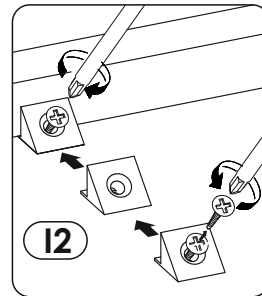
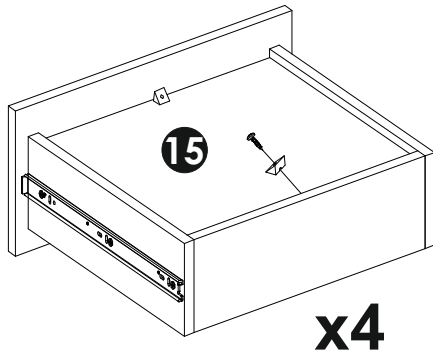
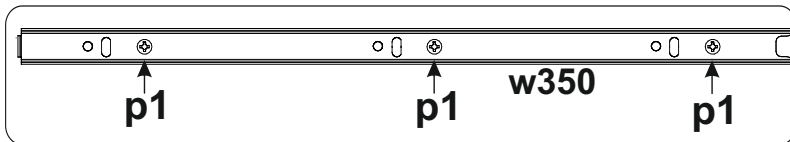









**w350**



**a=b**



<b>15</b>	<b>o21</b>	<b>s2/a</b>	<b>s2/b</b>	<b>c32</b>	<b>p5</b>
					
	x8	x16	x8	250 mm x3	φ3.5x13 mm x6

