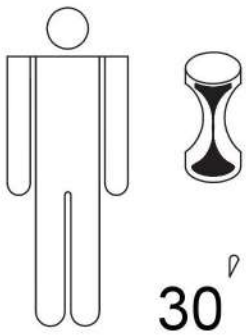
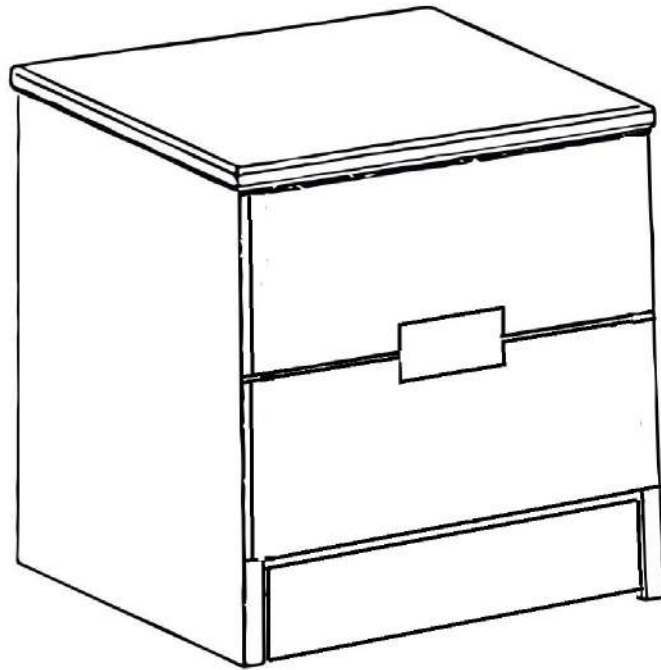
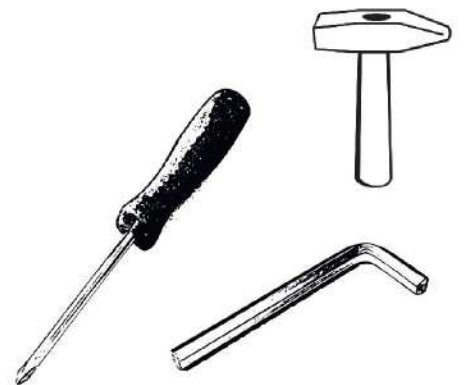
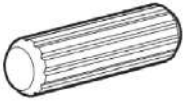

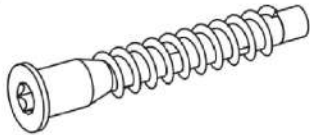


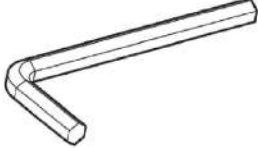



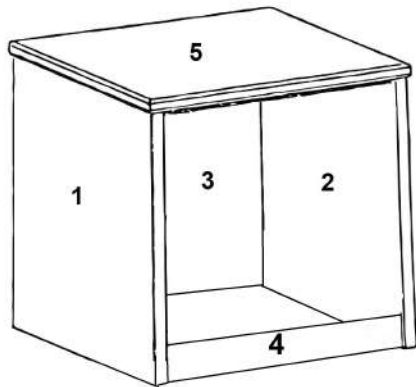
ELSA



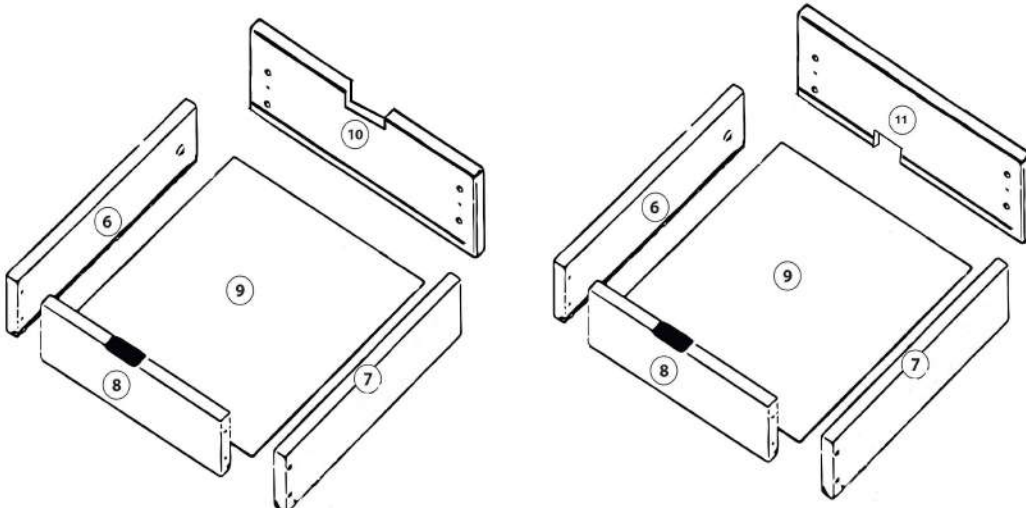
30^P

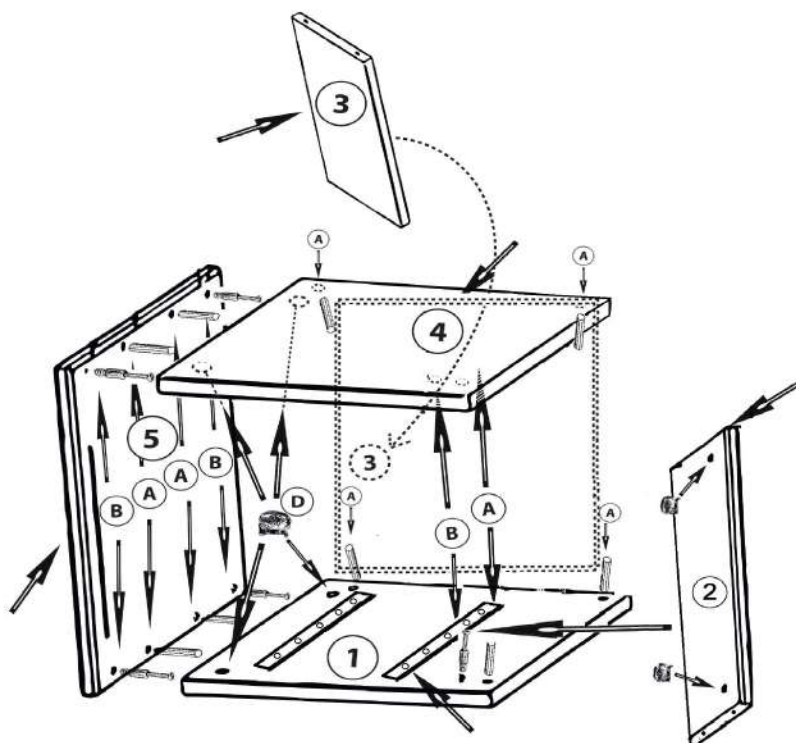
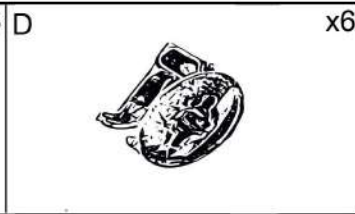
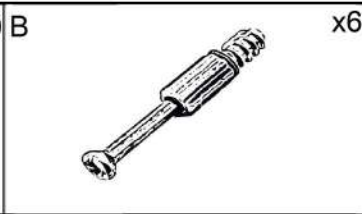
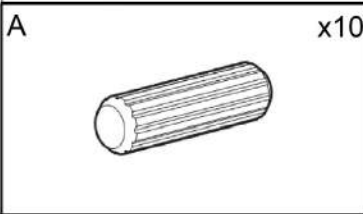
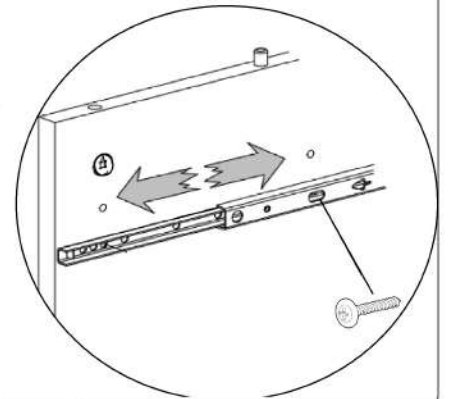
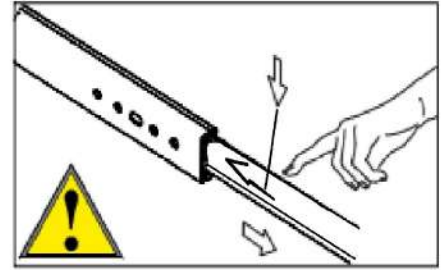
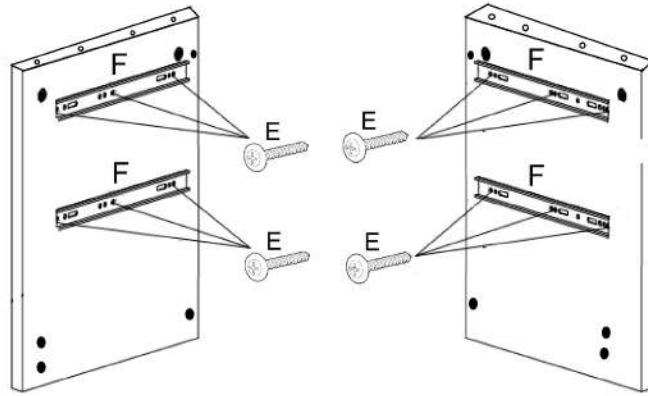
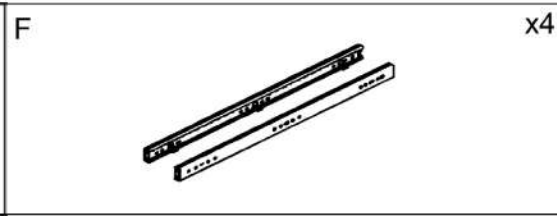
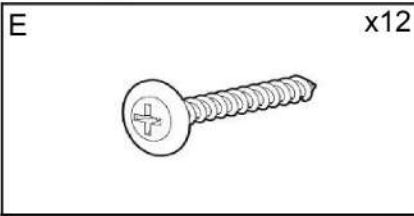


<p>A</p>  <p>x18</p> <p>B</p> <p>Ø10*35</p>	<p>x10</p>  <p>C</p> <p>Ø 6.4*50</p>	<p>x8</p> 
<p>D</p>  <p>x10</p>	<p>E</p>  <p>x24</p>	
<p>F</p>  <p>x4</p> <p>L=350</p>		



No		Sizes	Coll
1	x1	375x375x25	1/1
2	x1	375x375x25	1/1
3	x1	342x275x16	1/1
4	x1	342x70x20	1/1
5	x1	400x400x25	1/1
6	x2	350x100x16	1/1
7	x2	350x100x16	1/1
8	x2	284x100x16	1/1
9	x2	295x275x3	1/1
10	x1	390x150x20	1/1
11	x1	390x150x20	1/1

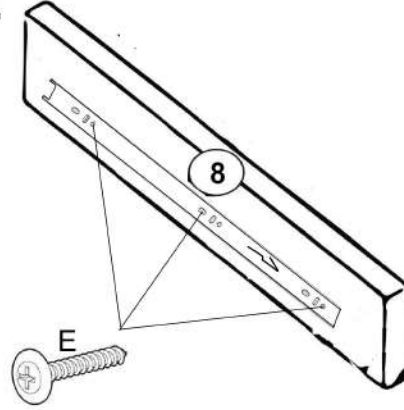
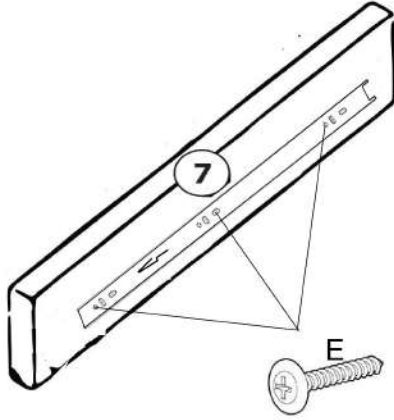




E x12	F x4		
----------	---------	--	--



x2



A x8	B x4	C x8	D x4
---------	---------	---------	---------

