
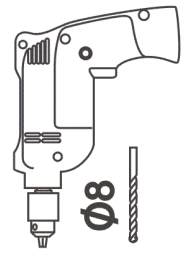
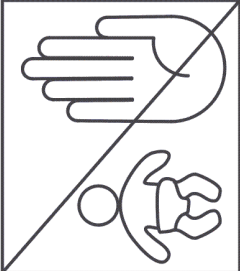
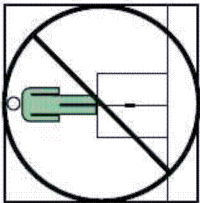
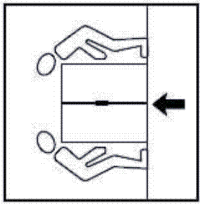
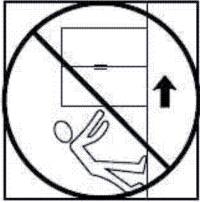
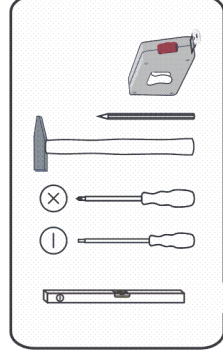
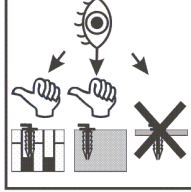
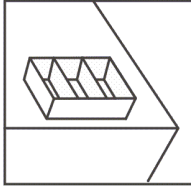
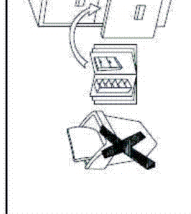
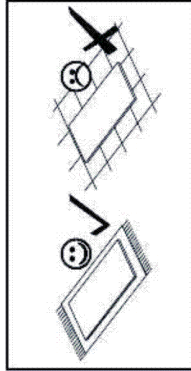
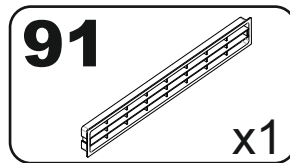
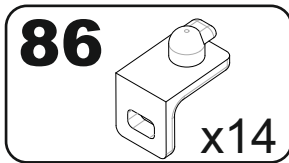
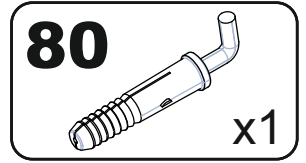
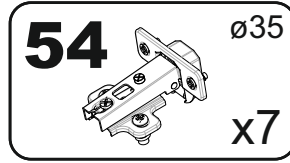
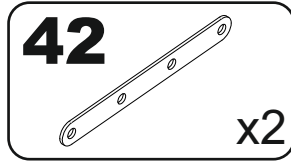
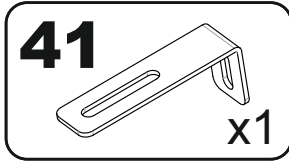
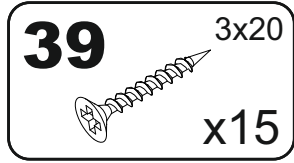
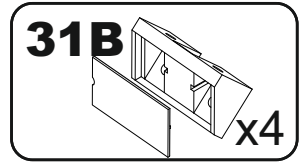
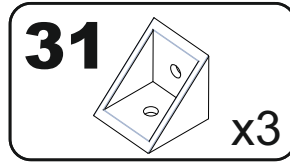
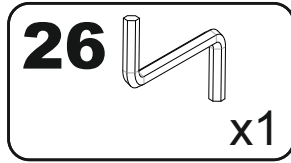
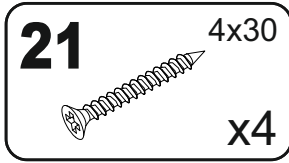
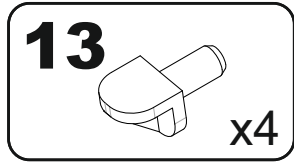
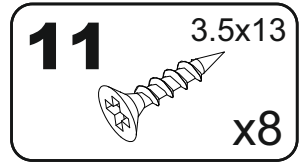
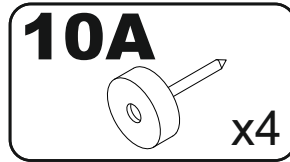
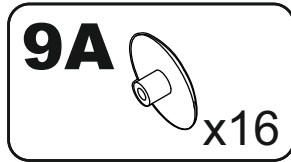
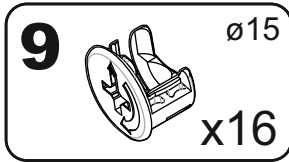
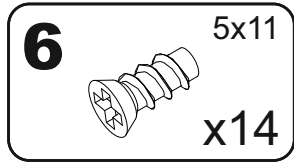
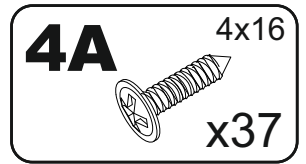
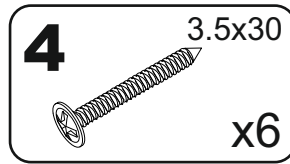
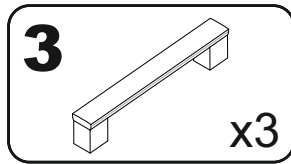
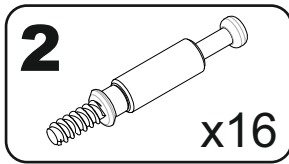
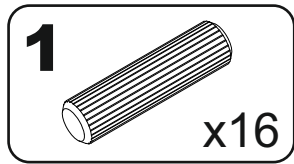
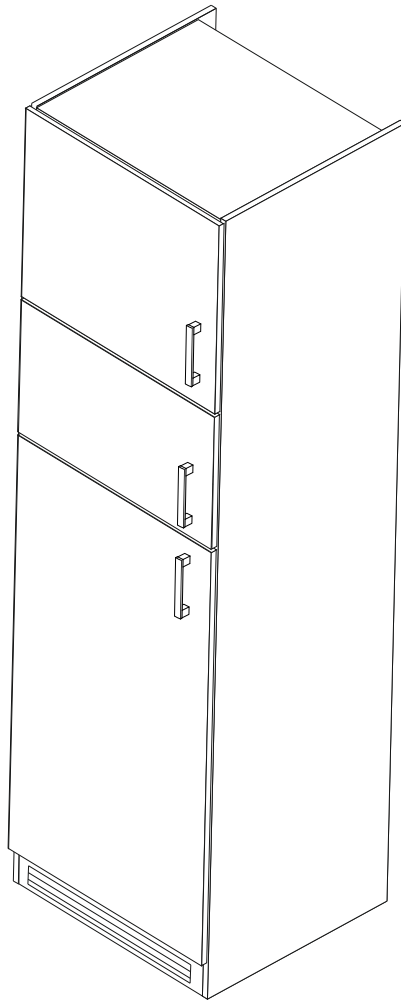
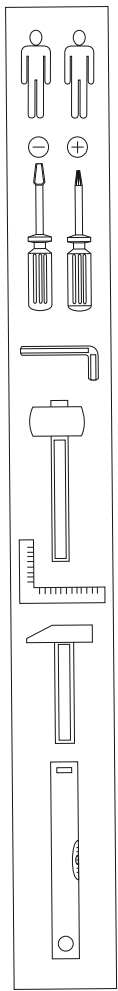
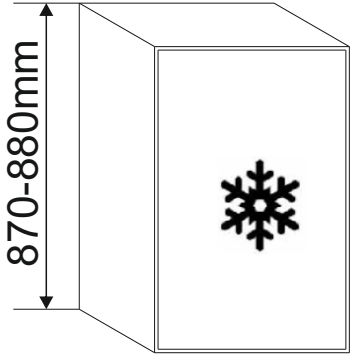


60 min 

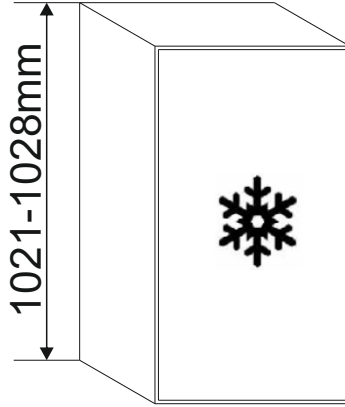




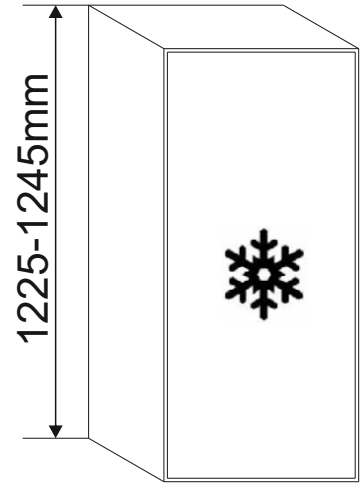
**OPTION 1**



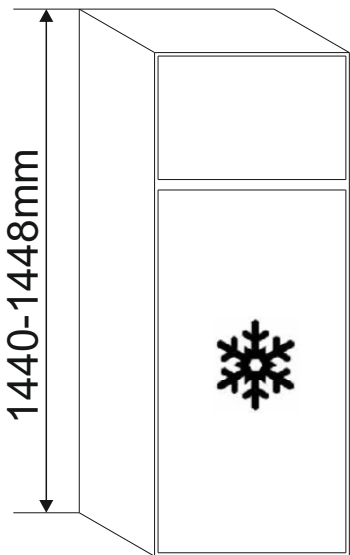
**OPTION 2**



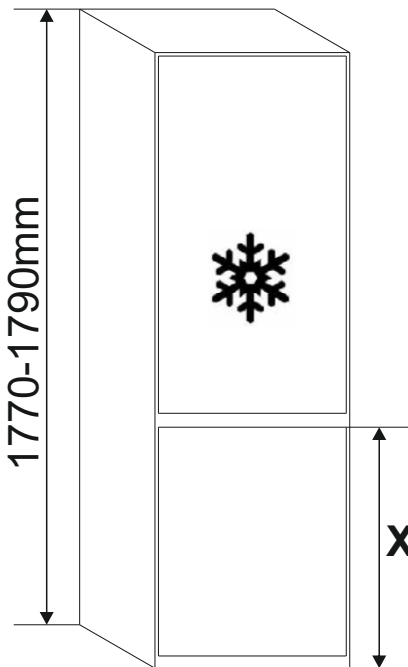
**OPTION 3**



**OPTION 4**

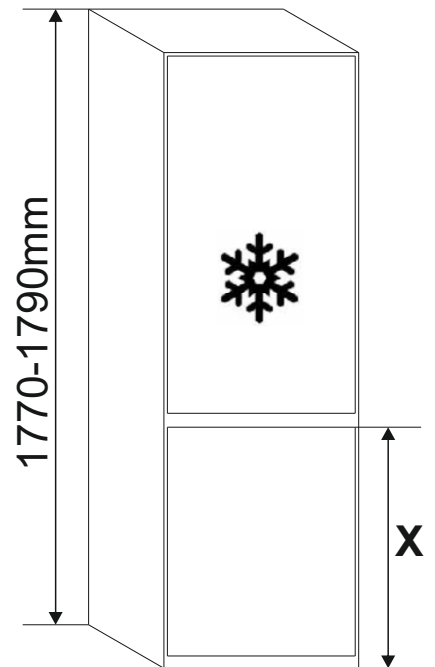


**OPTION 5**



**$X \leq 718\text{mm}$**

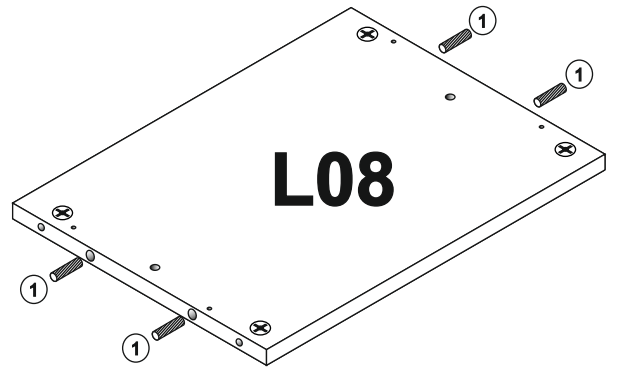
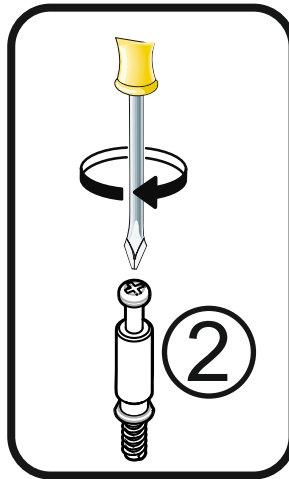
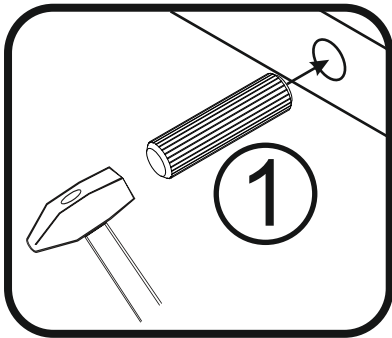
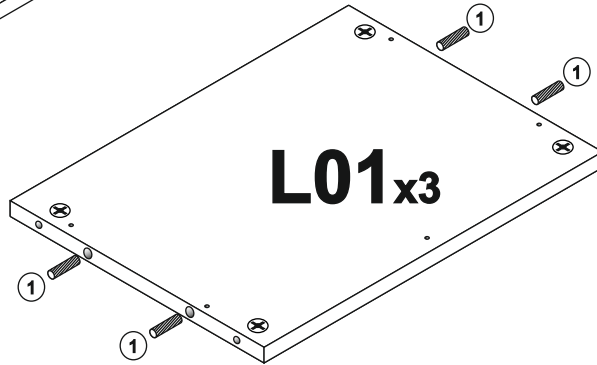
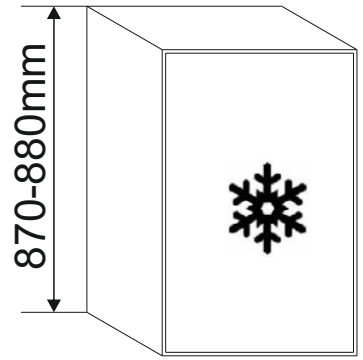
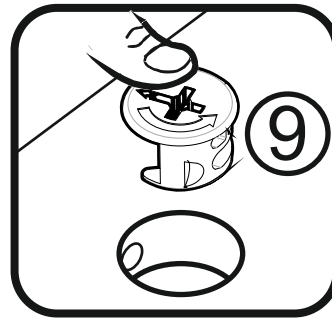
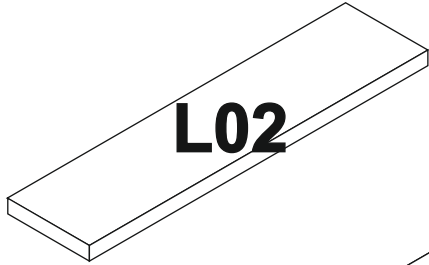
**OPTION 6**



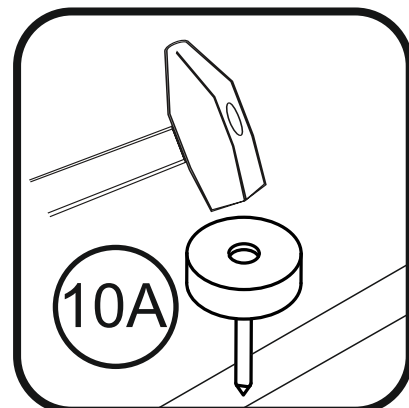
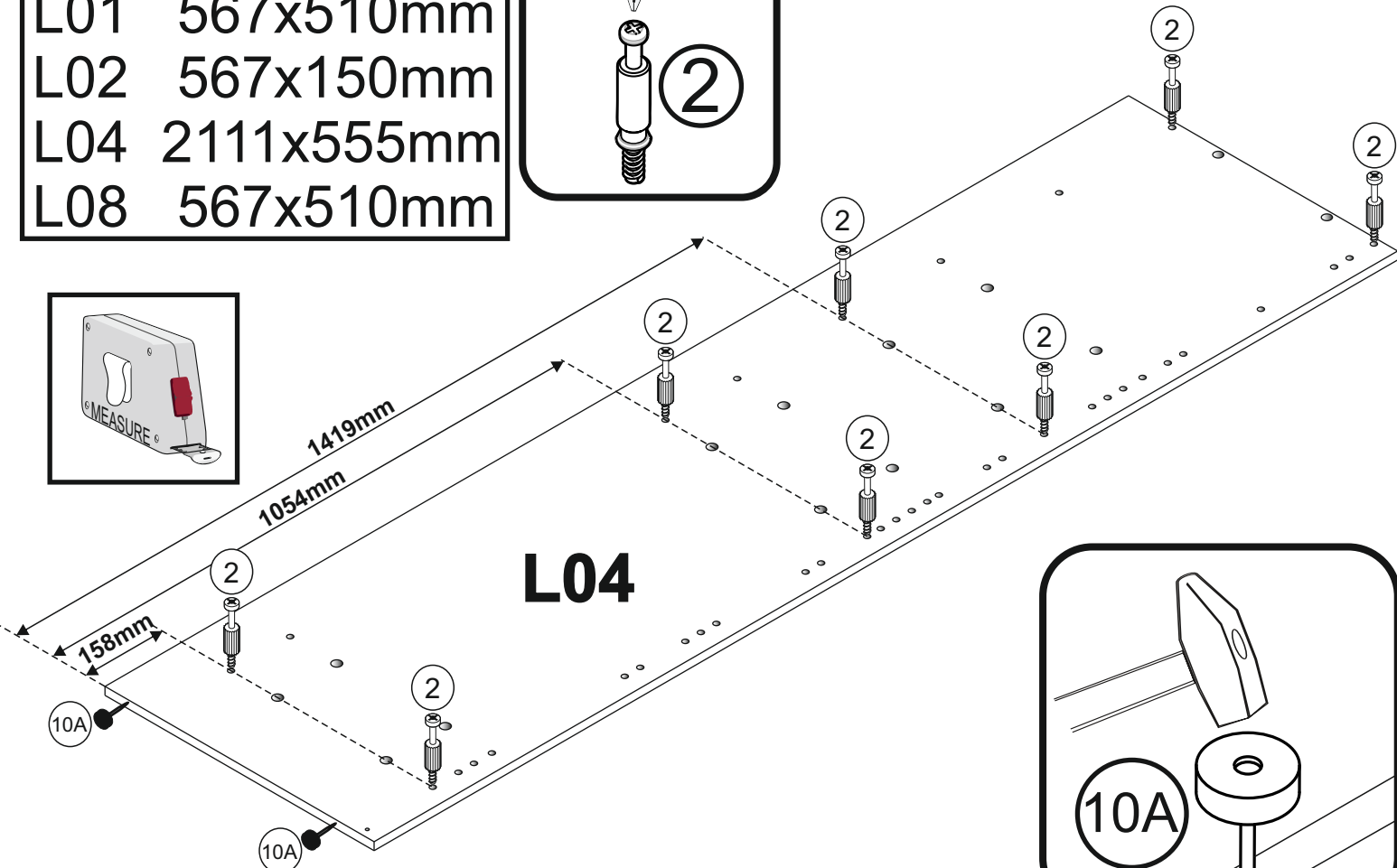
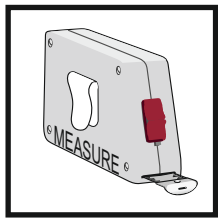
**$X > 718\text{mm}$**

# 1

# OPTION 1

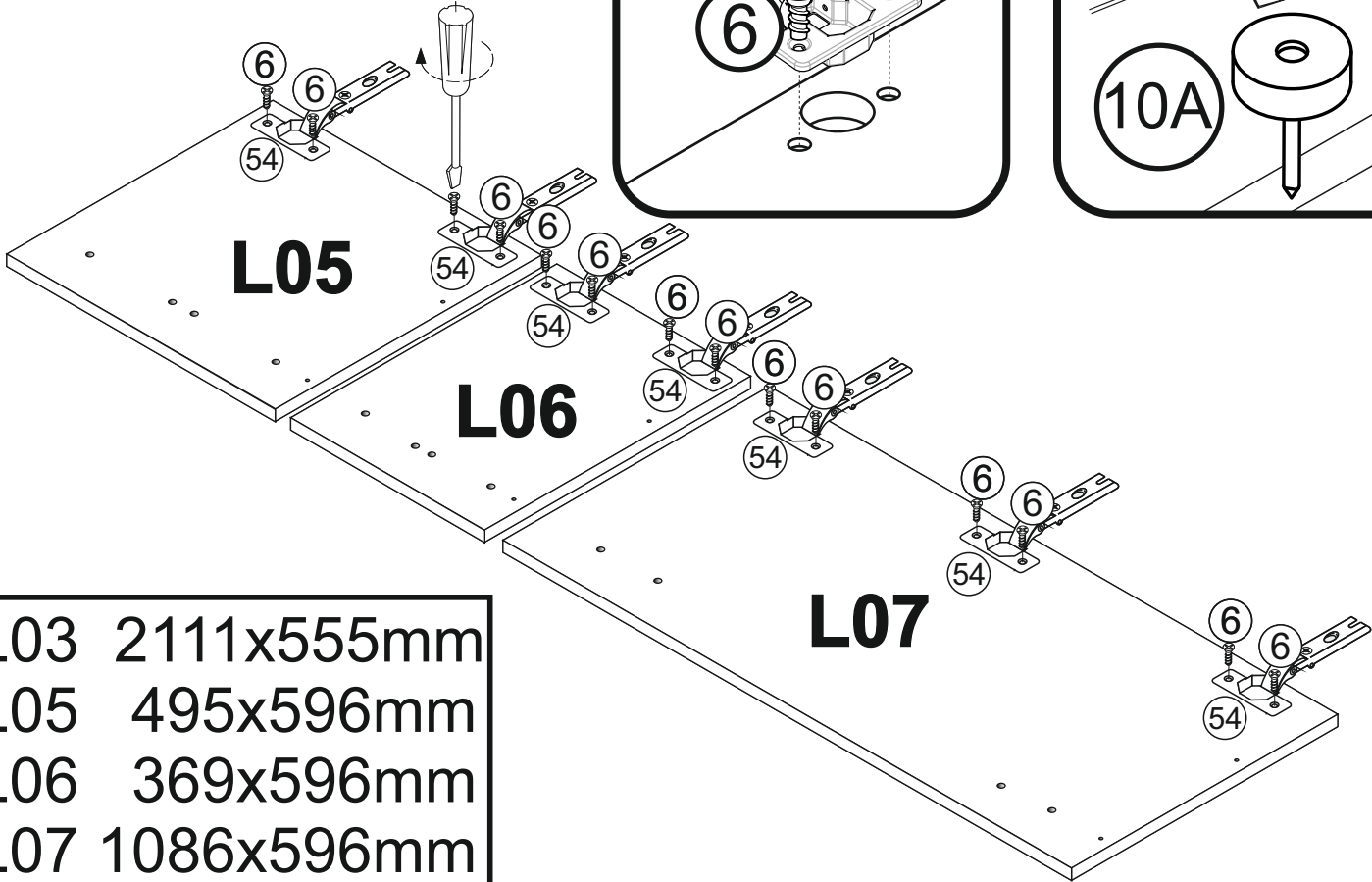
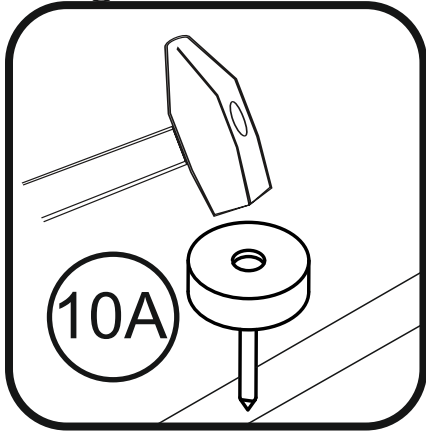
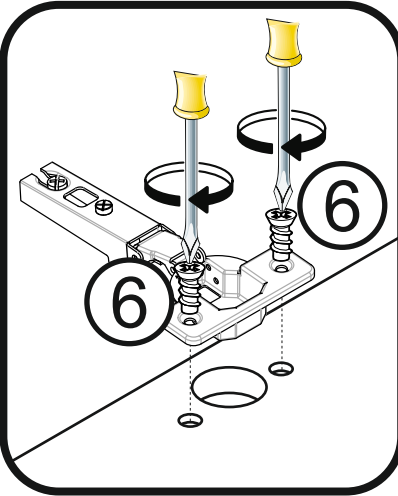
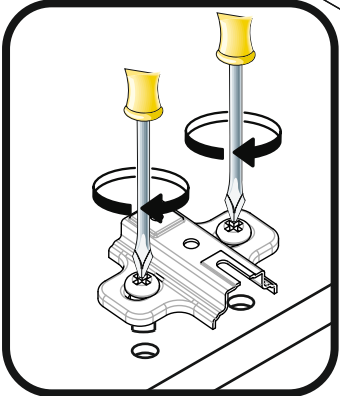
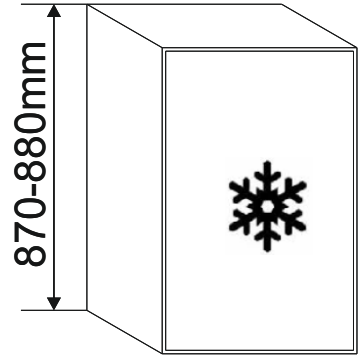
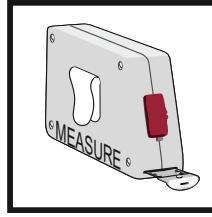
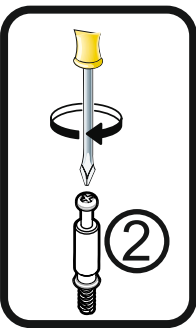
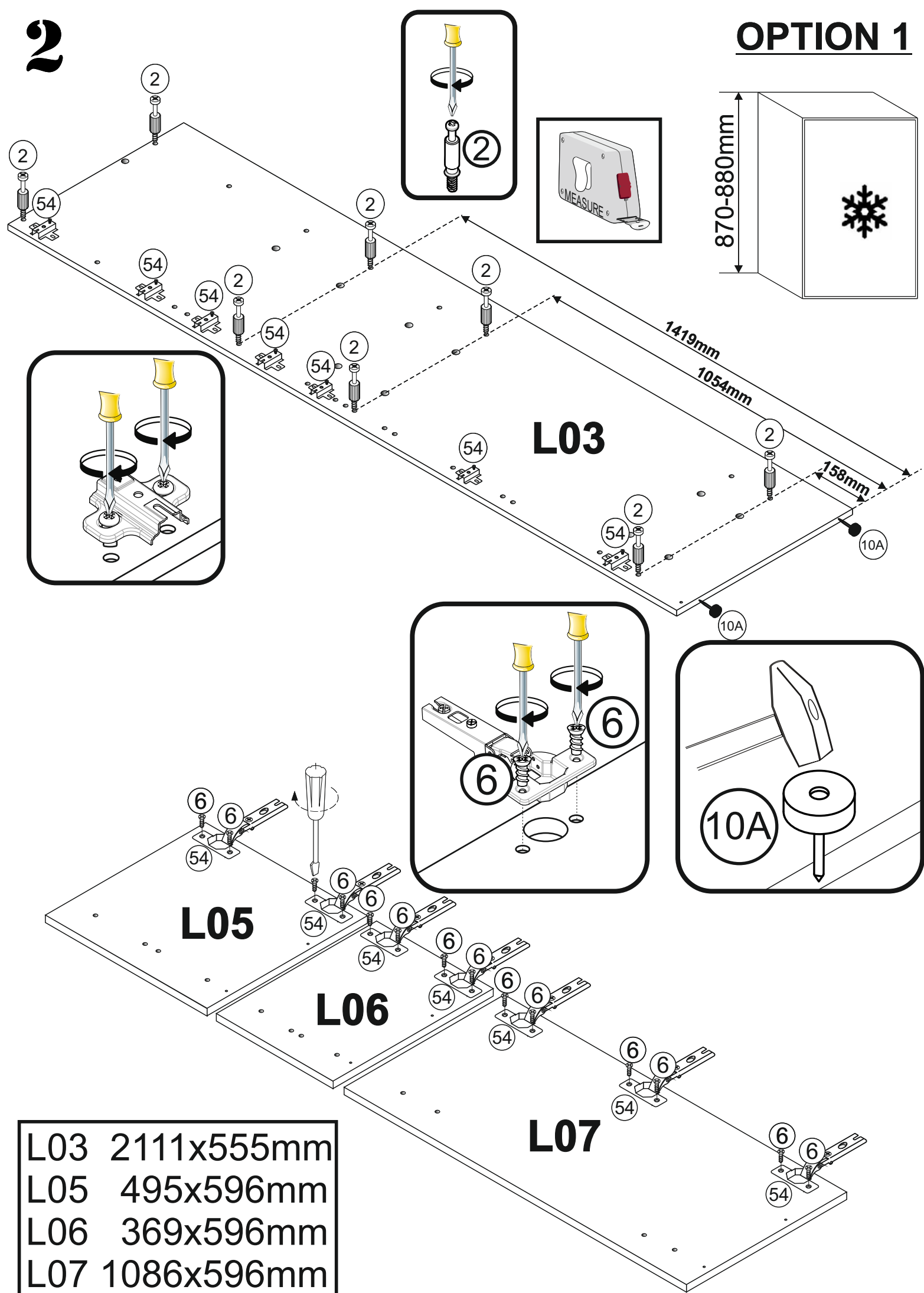


L01	567x510mm
L02	567x150mm
L04	2111x555mm
L08	567x510mm



# 2

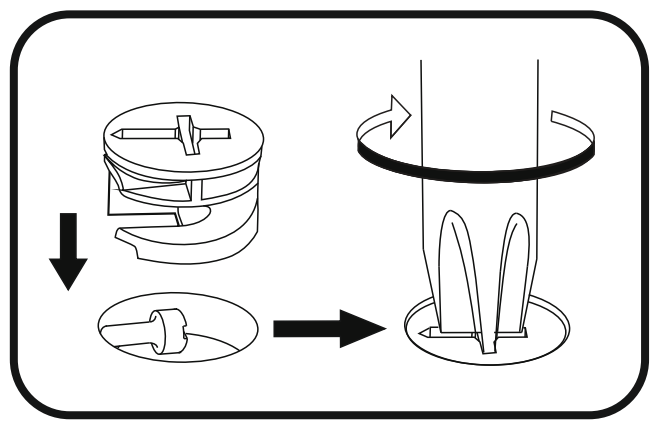
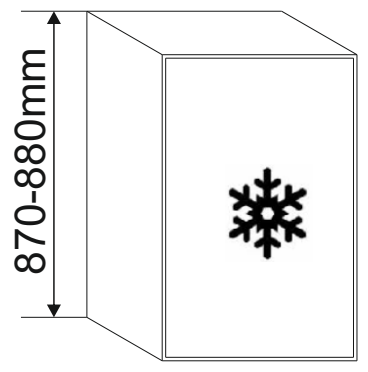
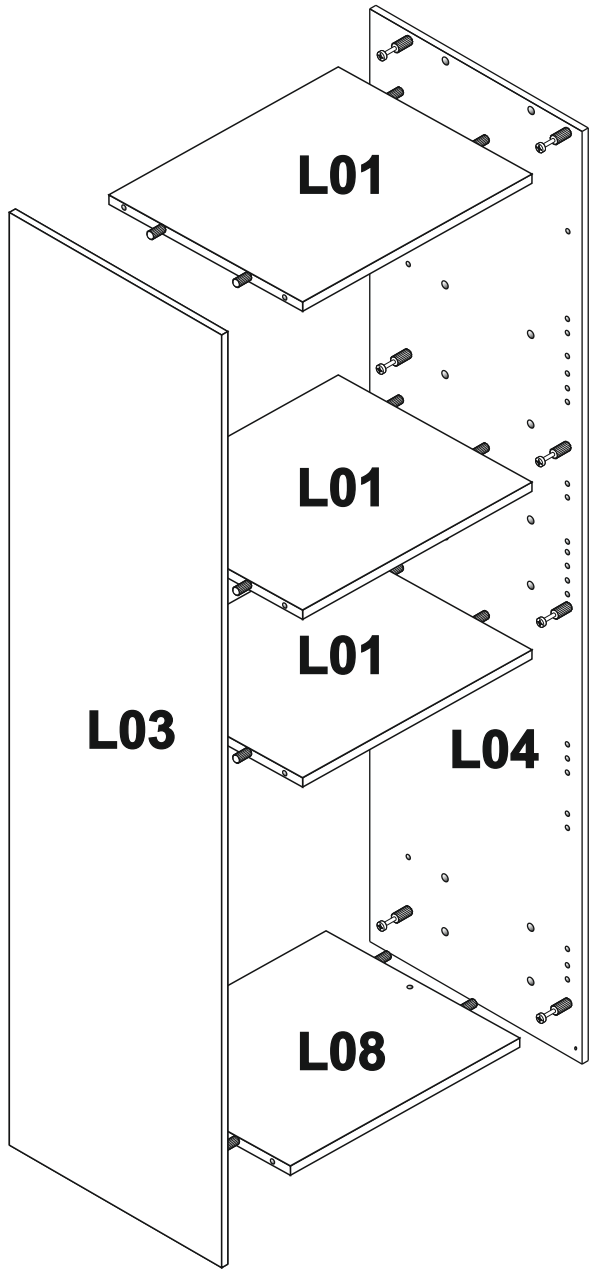
## OPTION 1



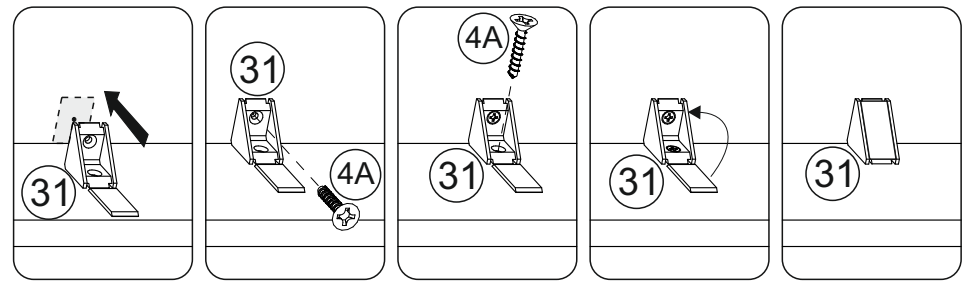
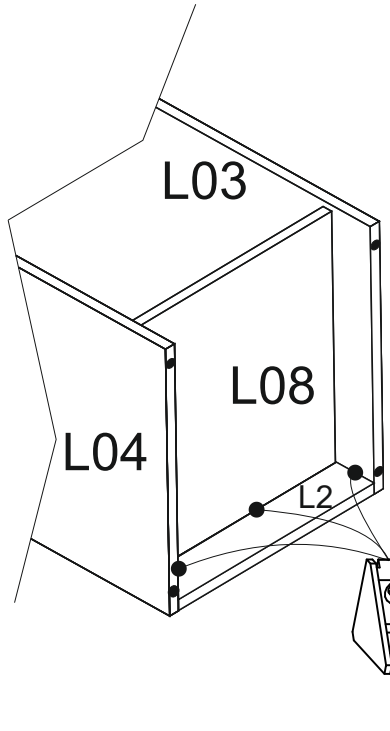
L03	2111x555mm
L05	495x596mm
L06	369x596mm
L07	1086x596mm

# 3

# OPTION 1



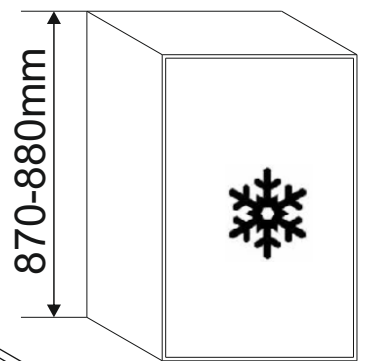
# 4



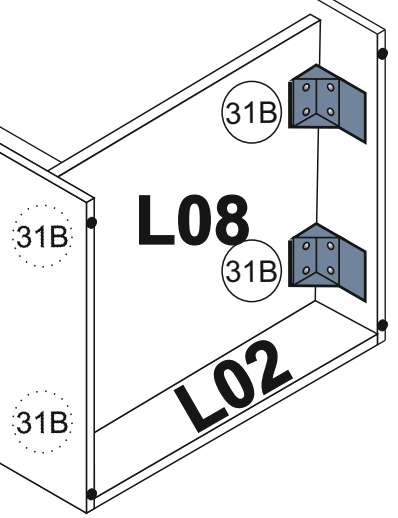
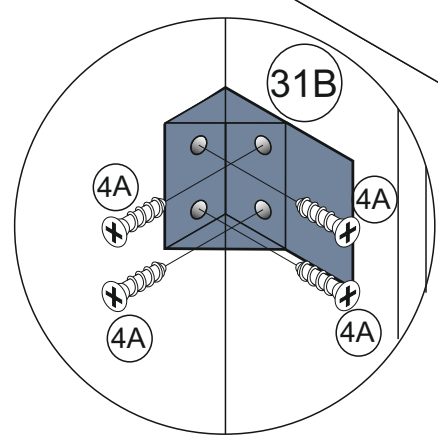
31 x3

5

OPTION 1

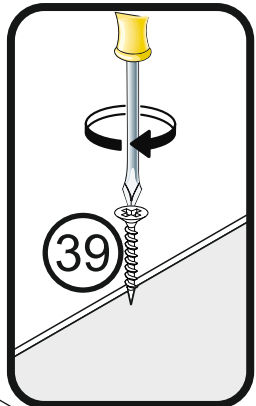
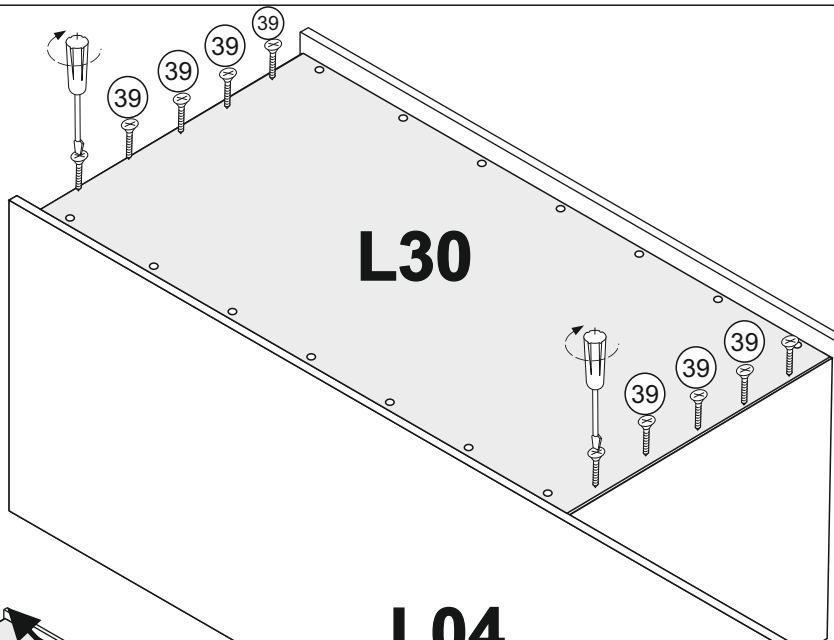


**L04**

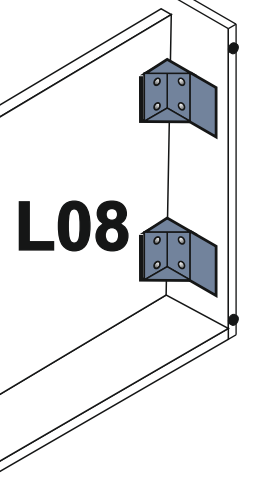
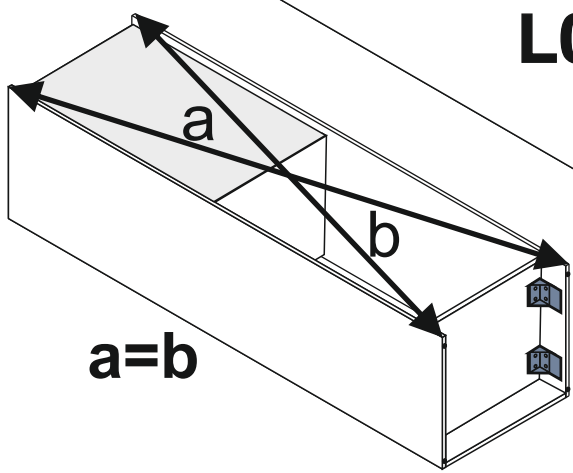


6

**L30** 1060x566mm

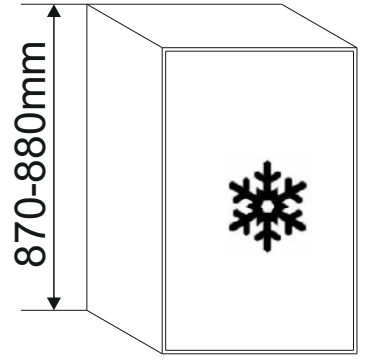
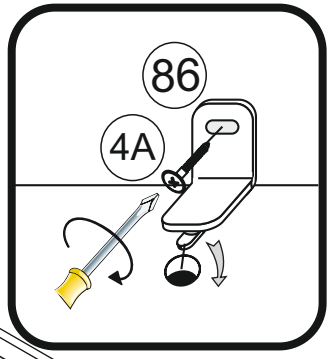
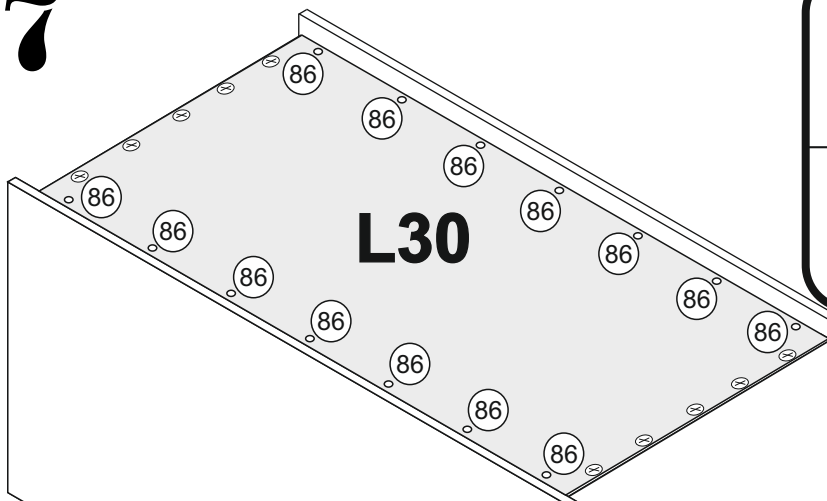


**L04**



7

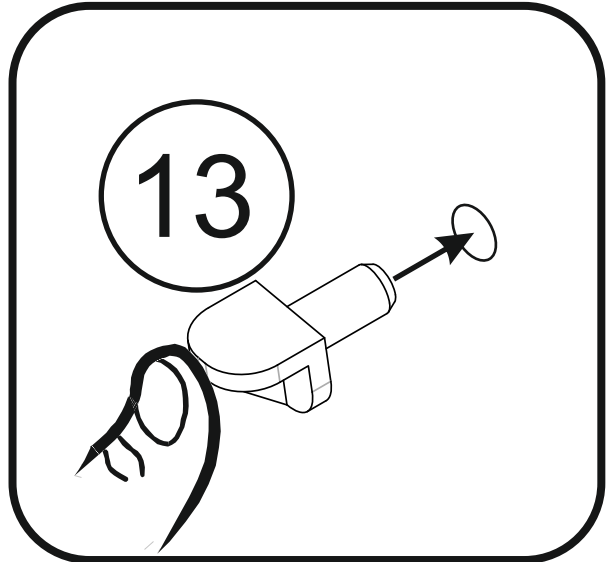
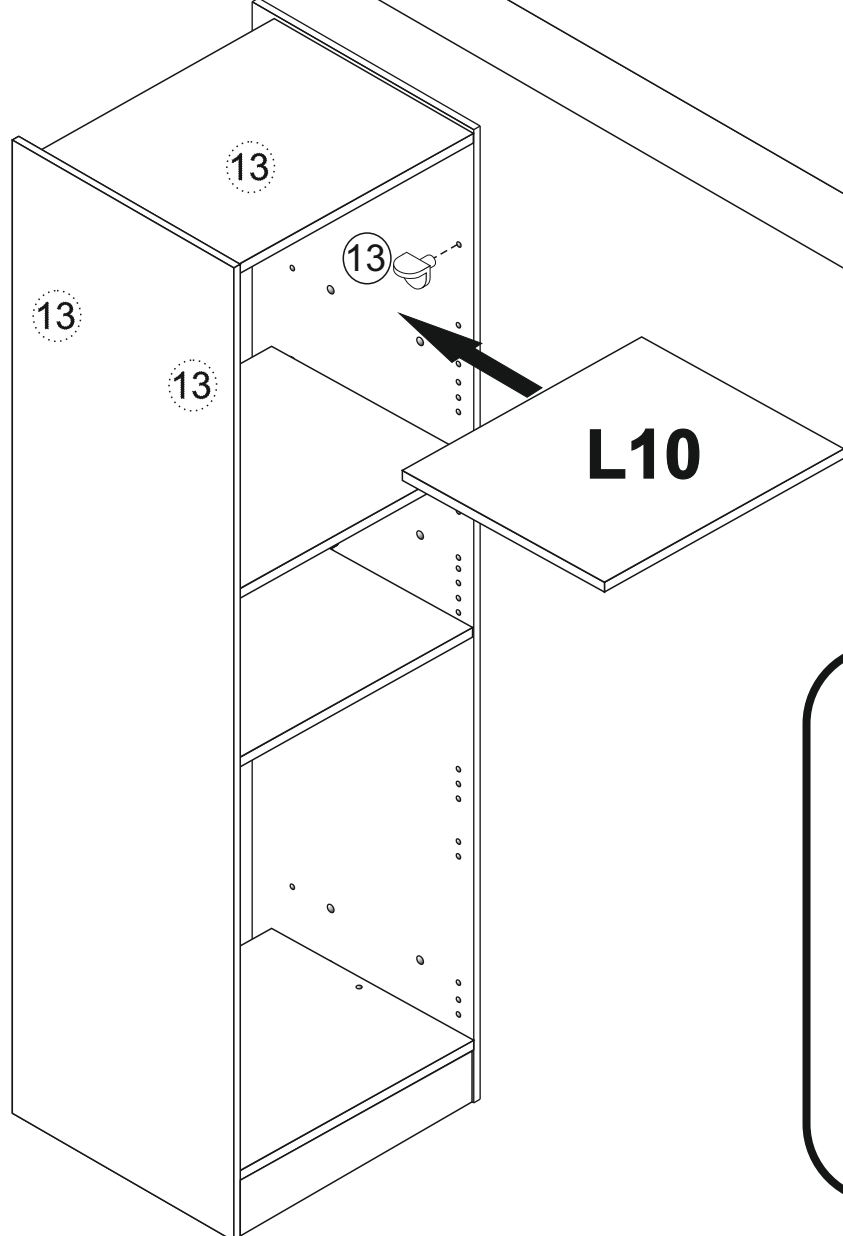
**OPTION 1**



8

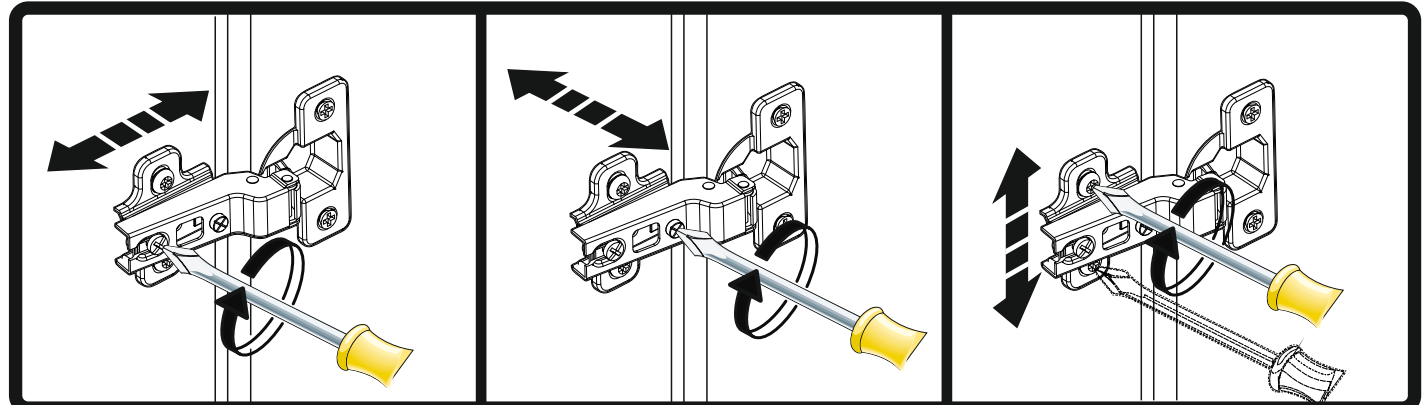
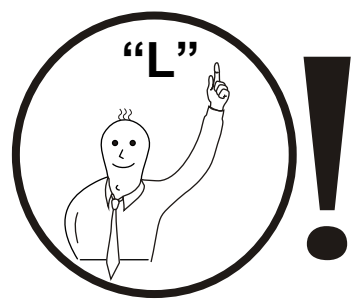
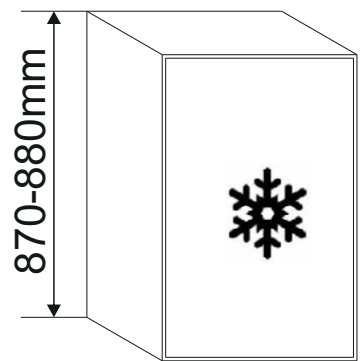
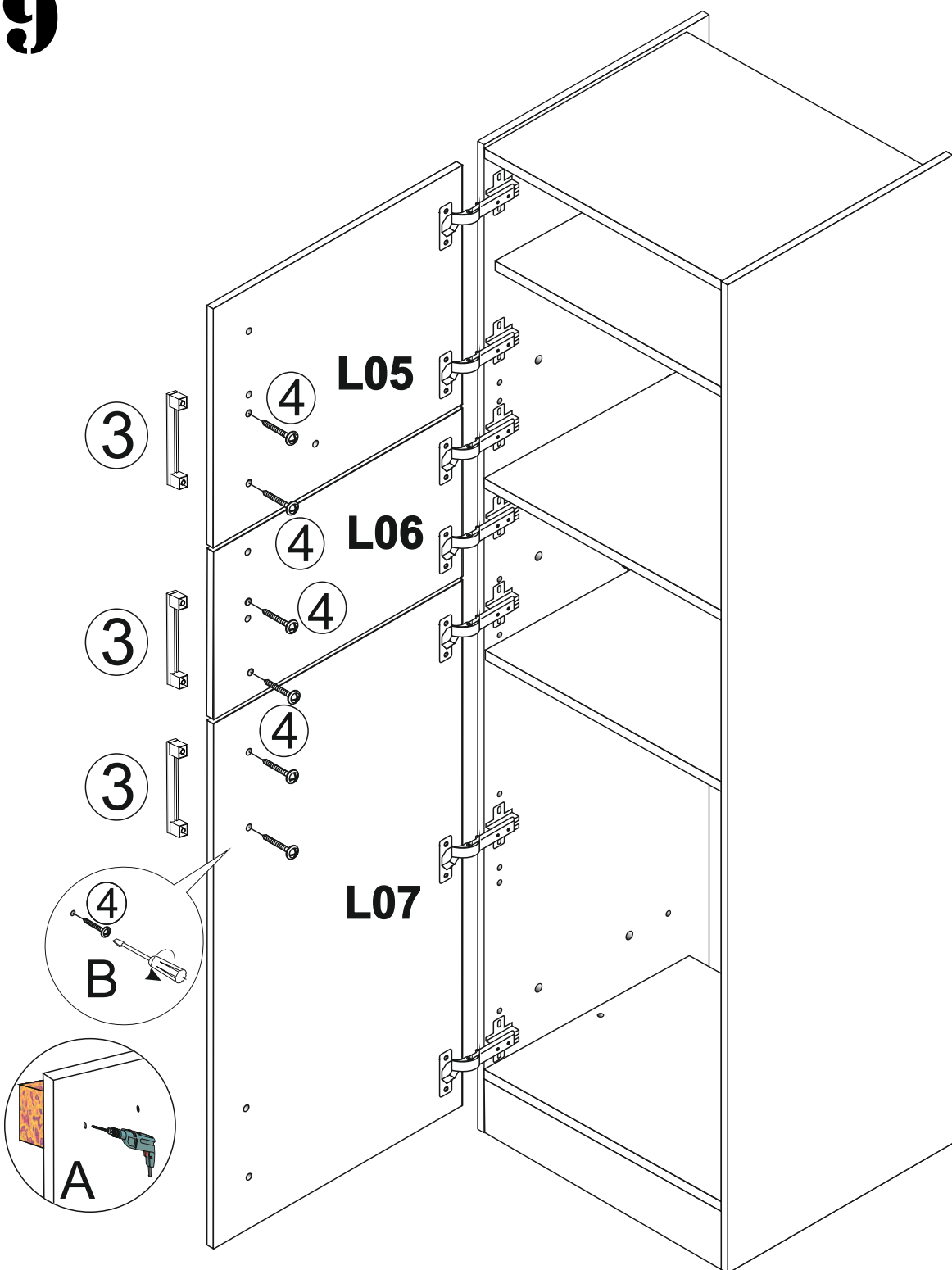
**L04**

**L08**



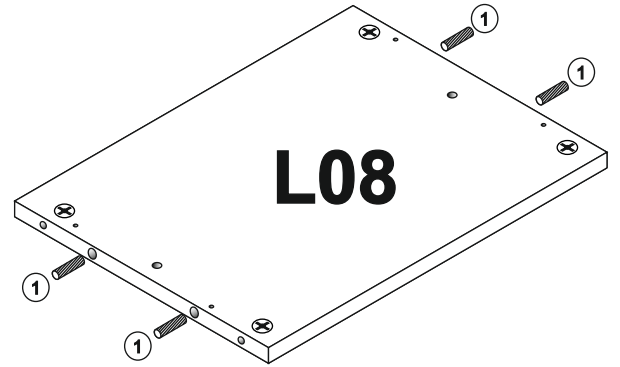
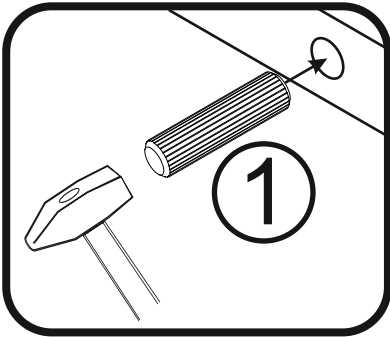
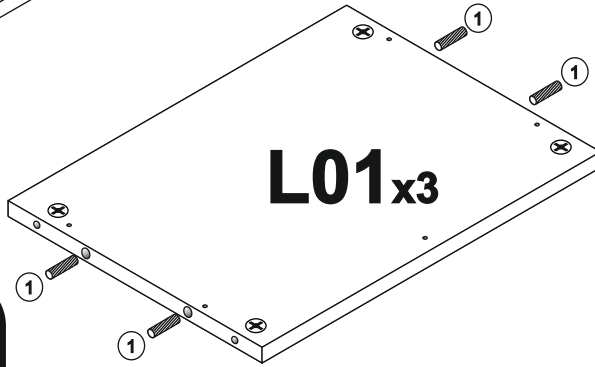
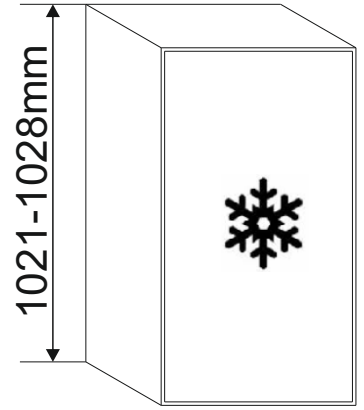
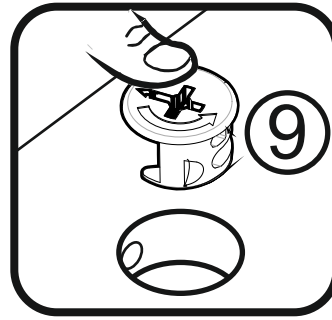
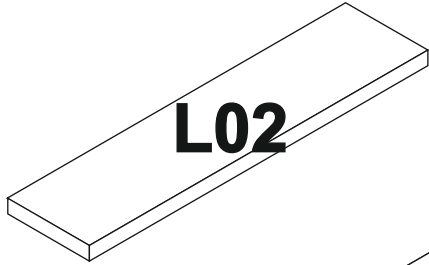
**L10 567x500mm**



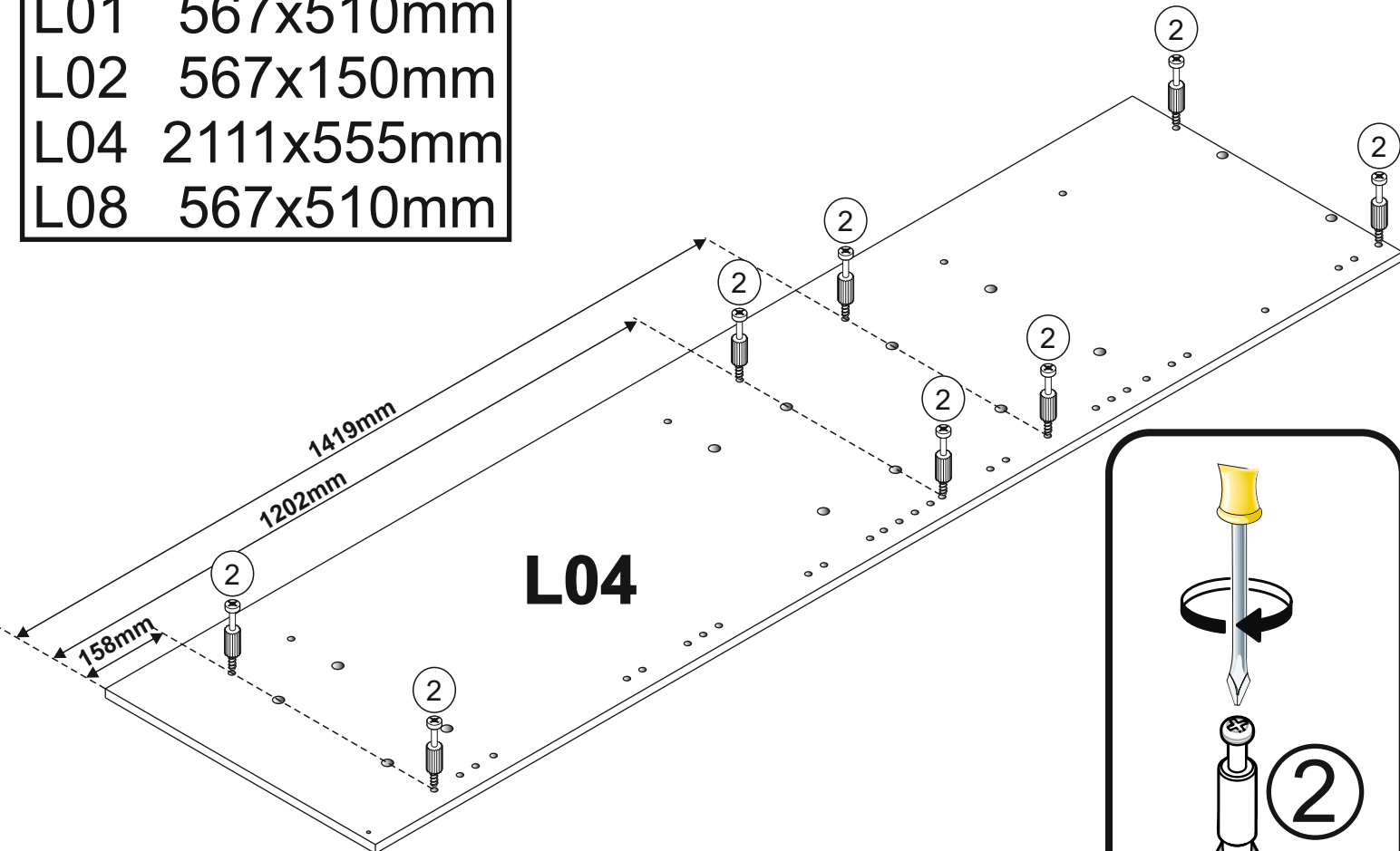


# 1

## OPTION 2

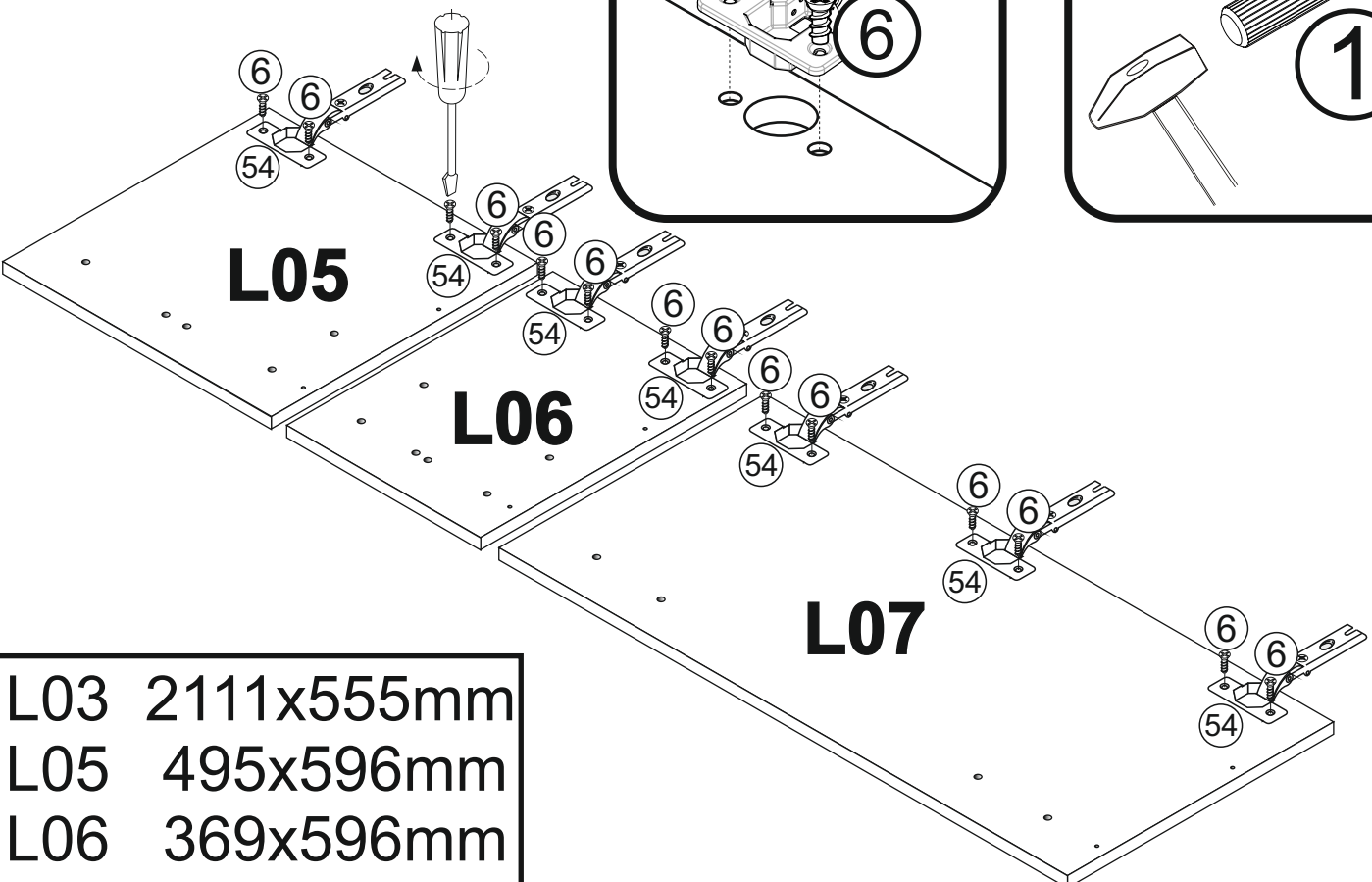
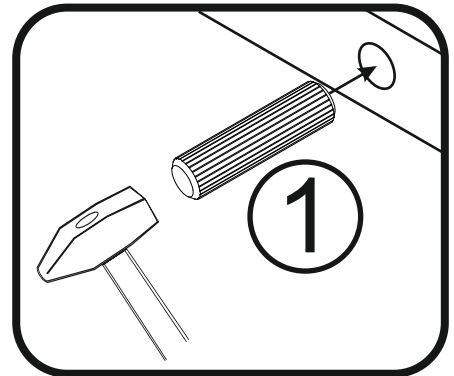
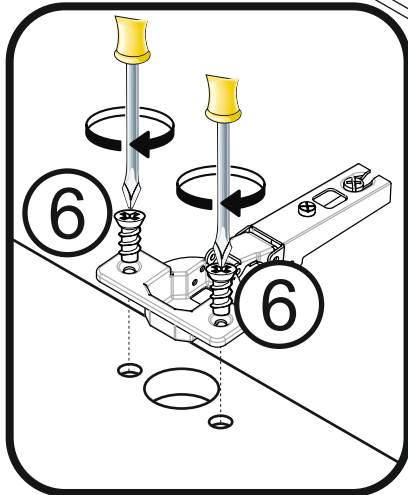
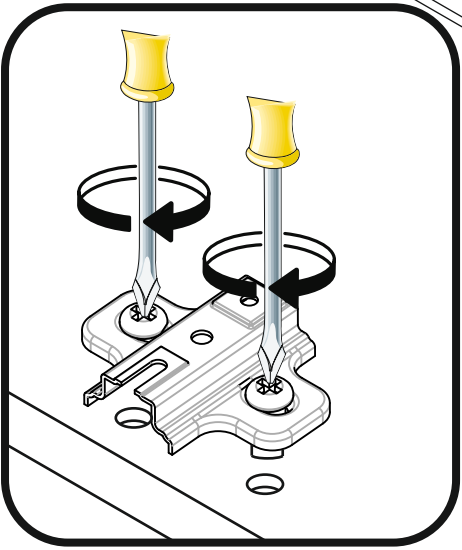
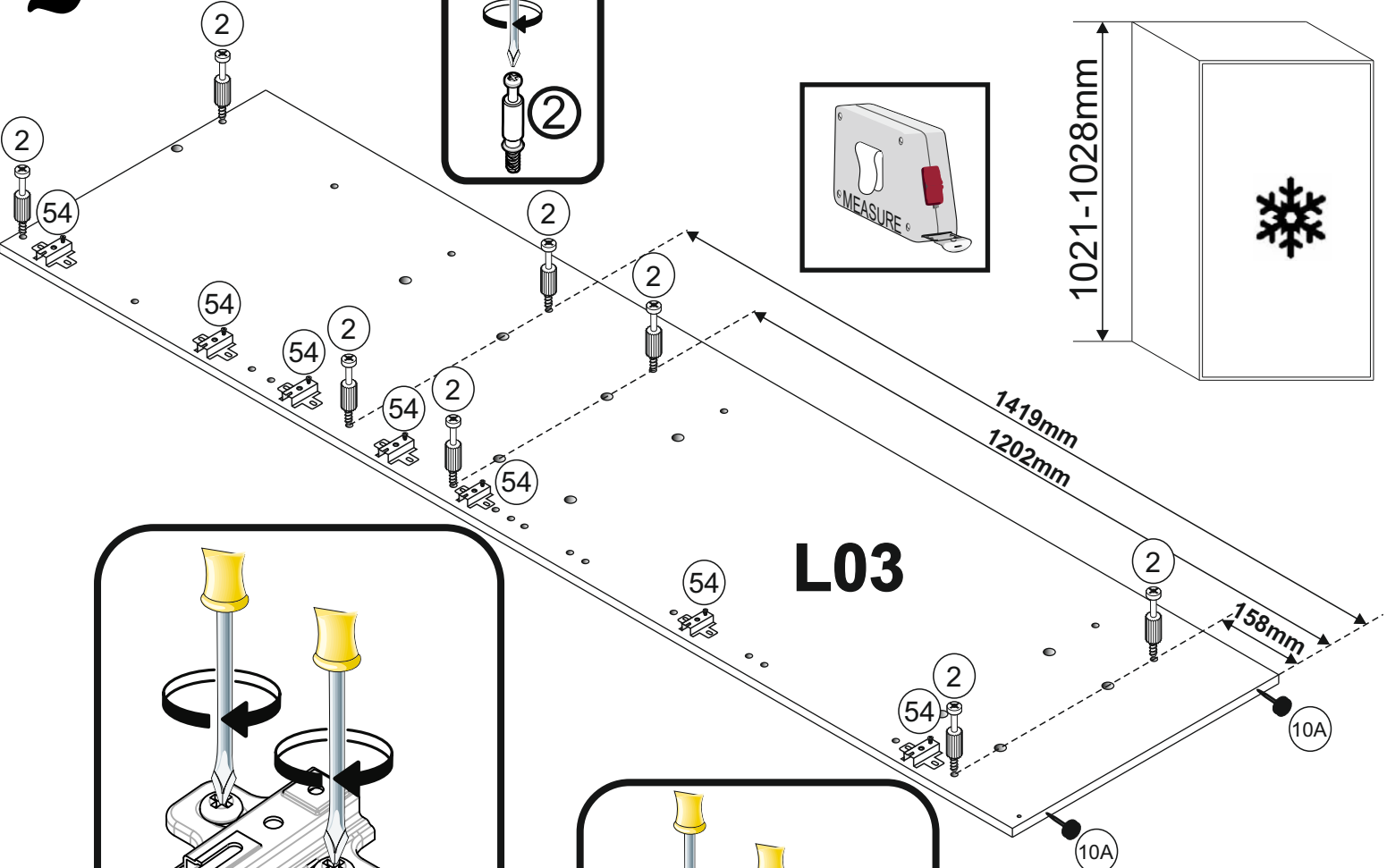
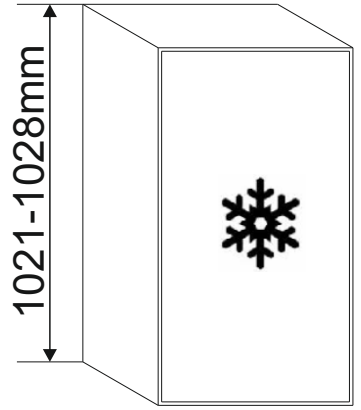


L01	567x510mm
L02	567x150mm
L04	2111x555mm
L08	567x510mm



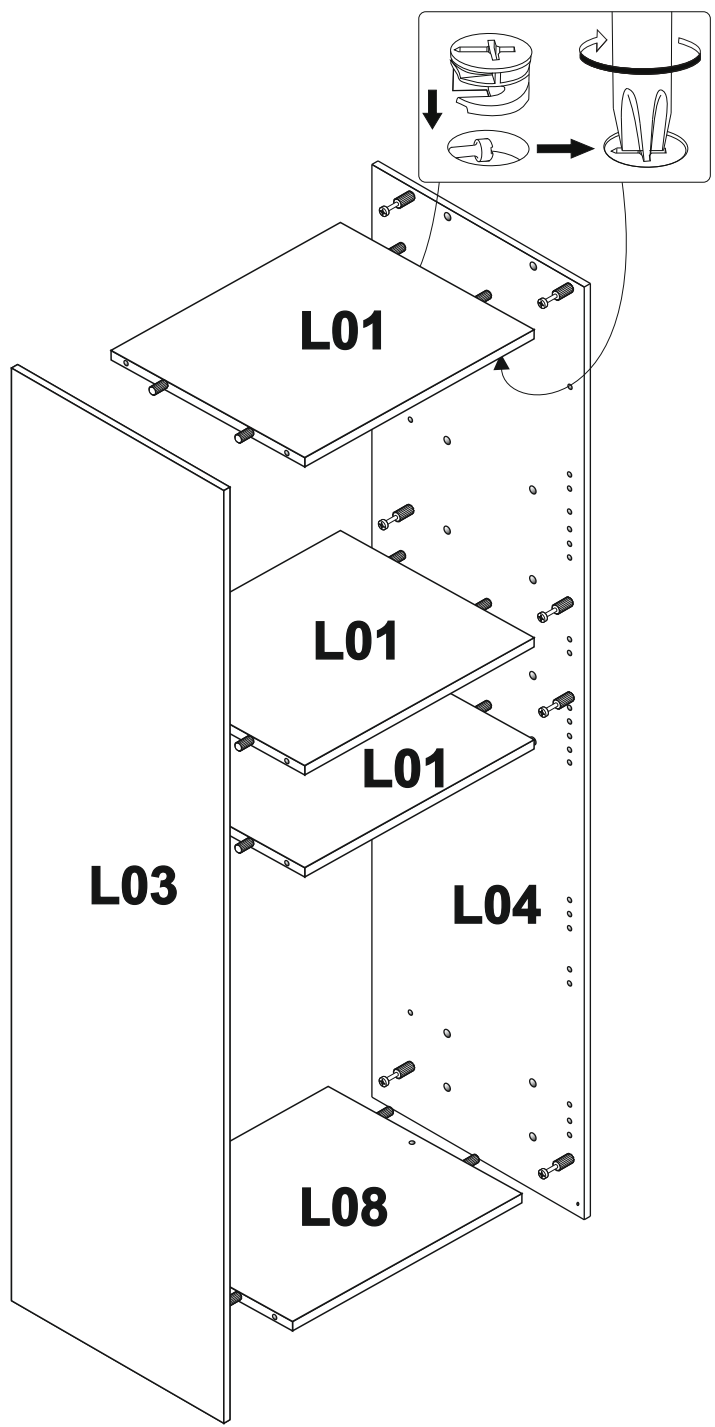
# 2

## OPTION 2

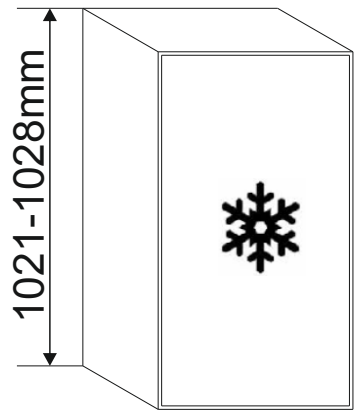


L03	2111x555mm
L05	495x596mm
L06	369x596mm
L07	1086x596mm

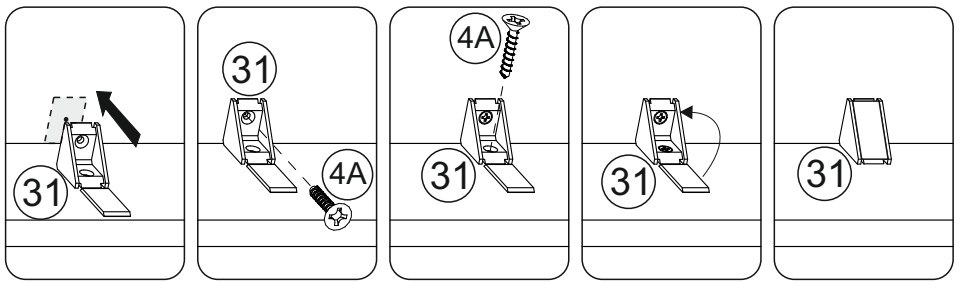
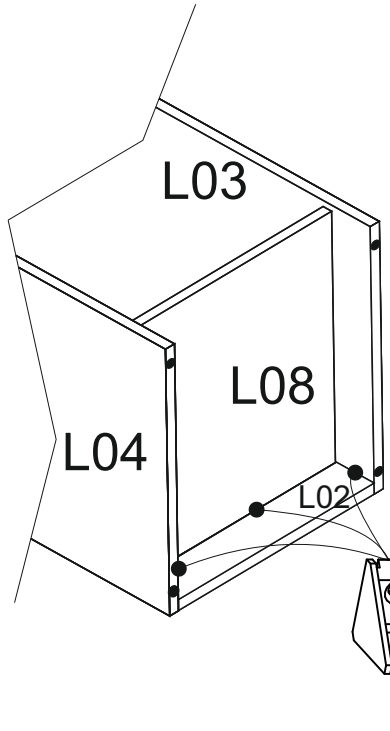
# 3



## OPTION 2



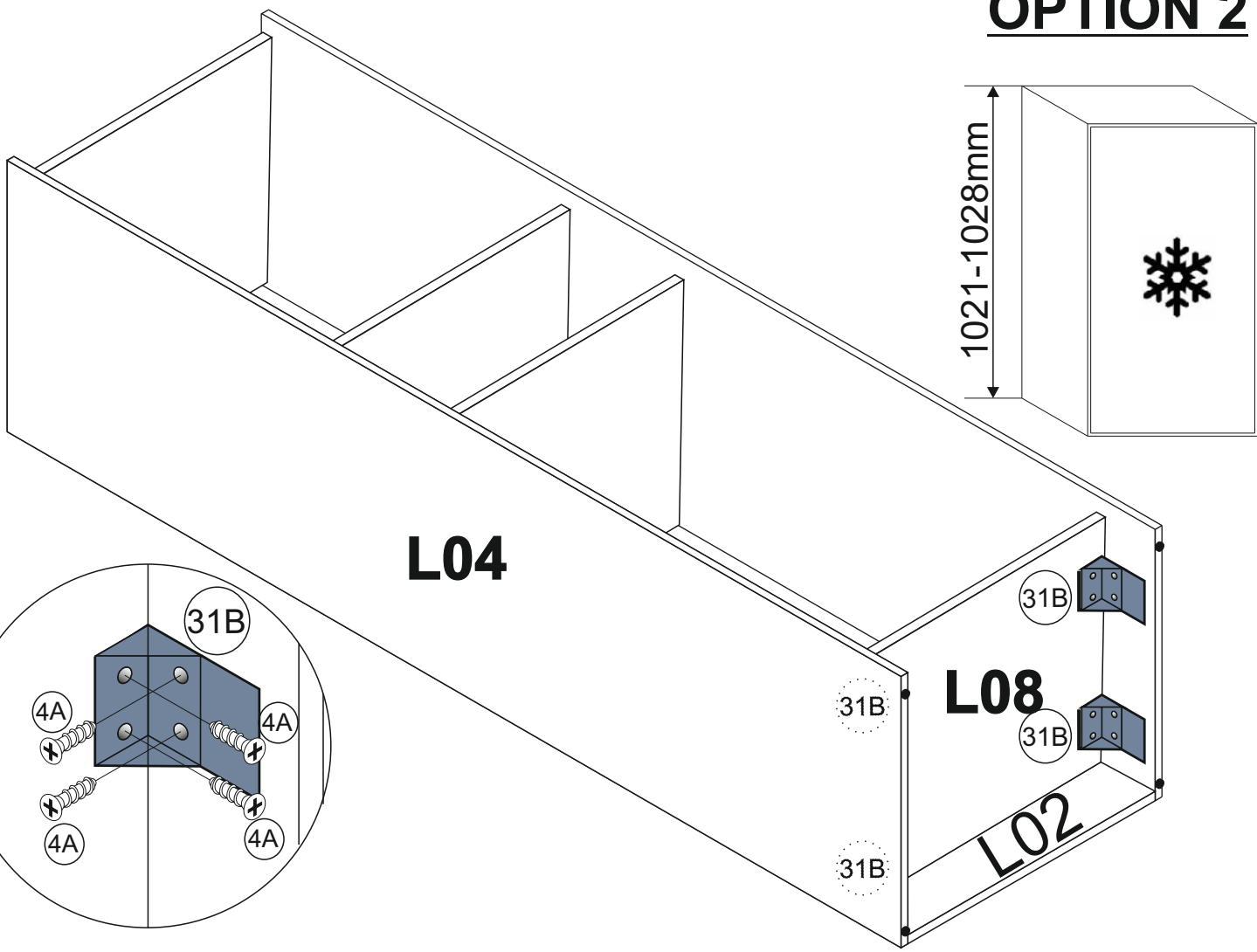
# 4



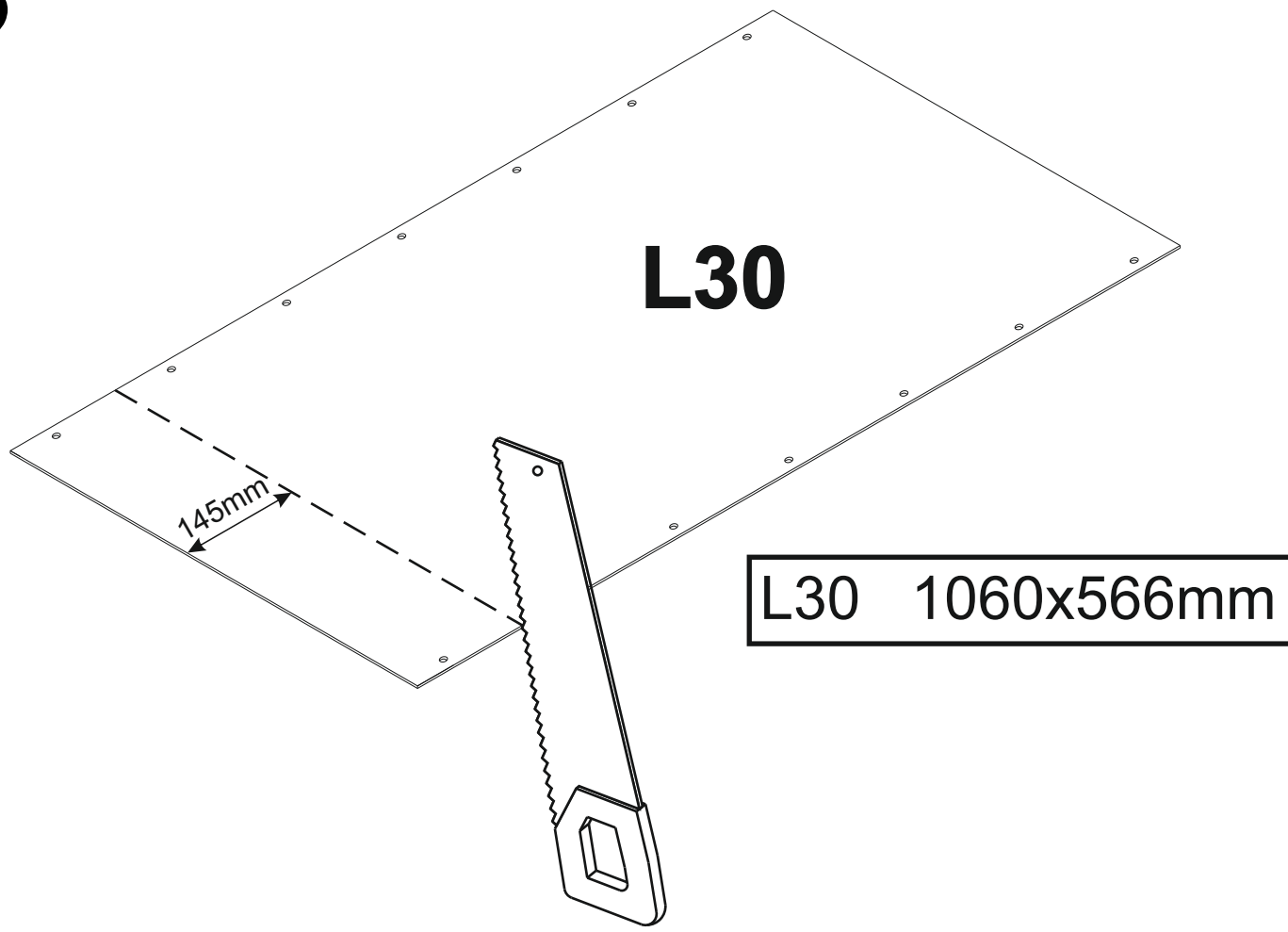
**31** x3

5

**OPTION 2**

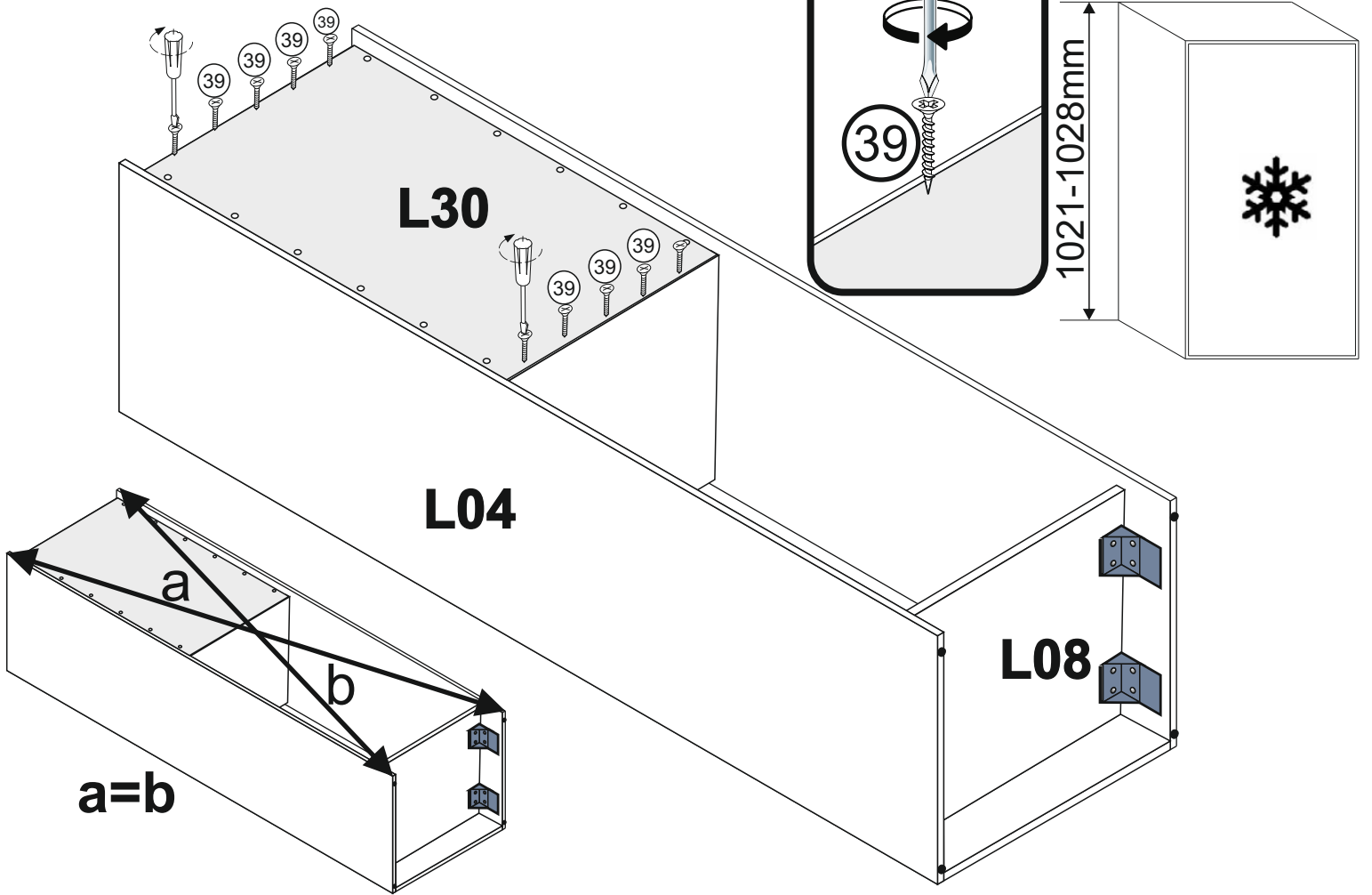


6

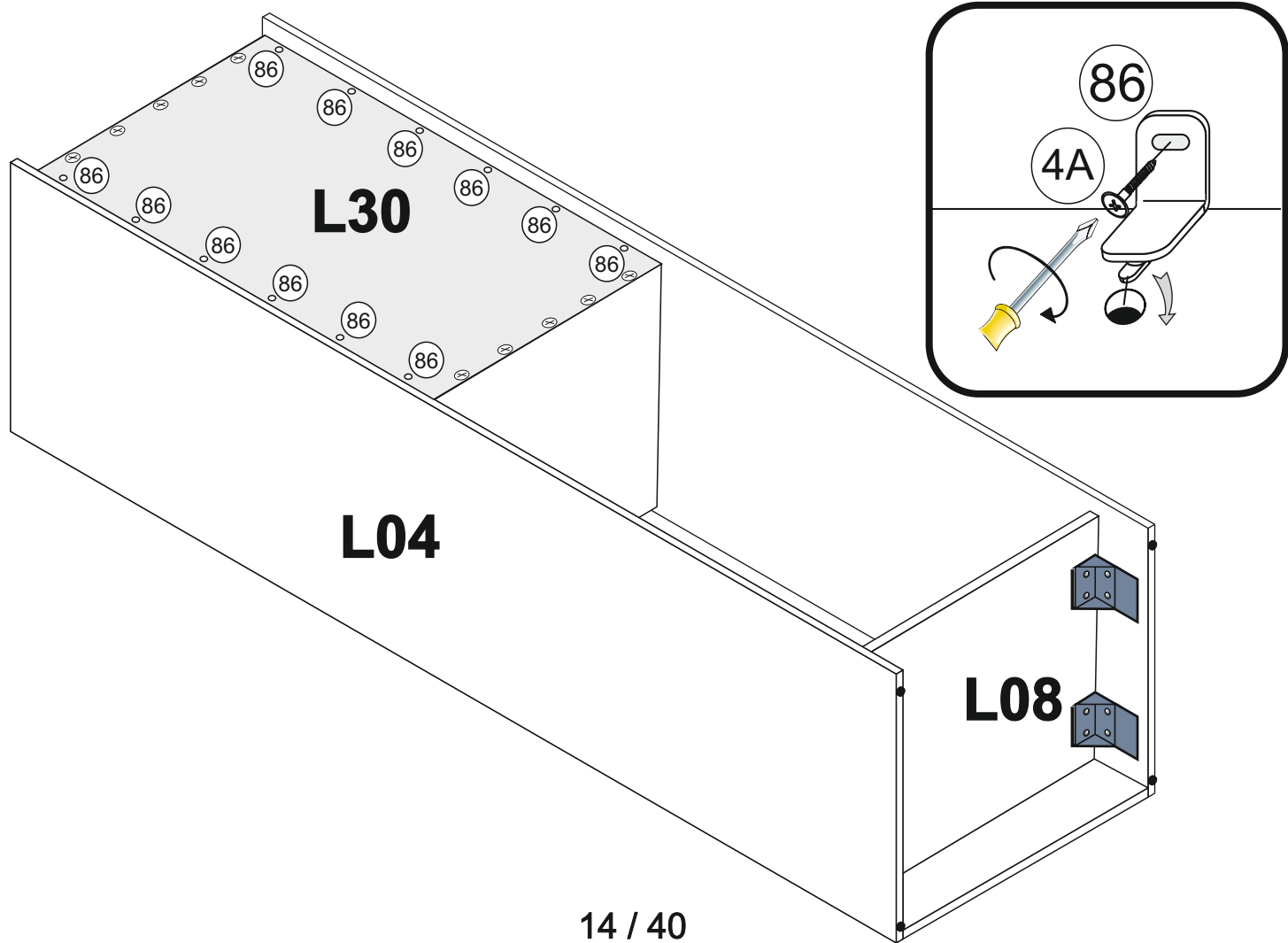


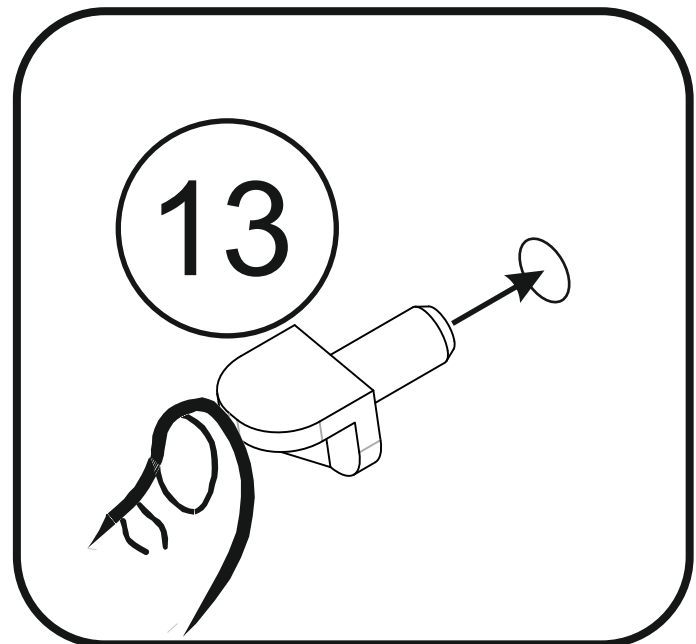
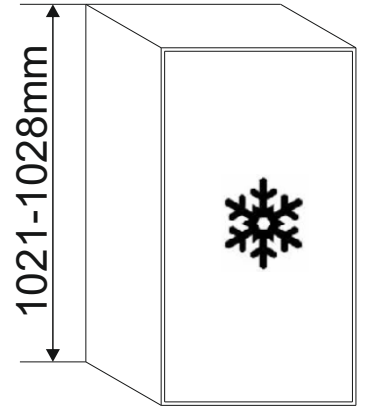
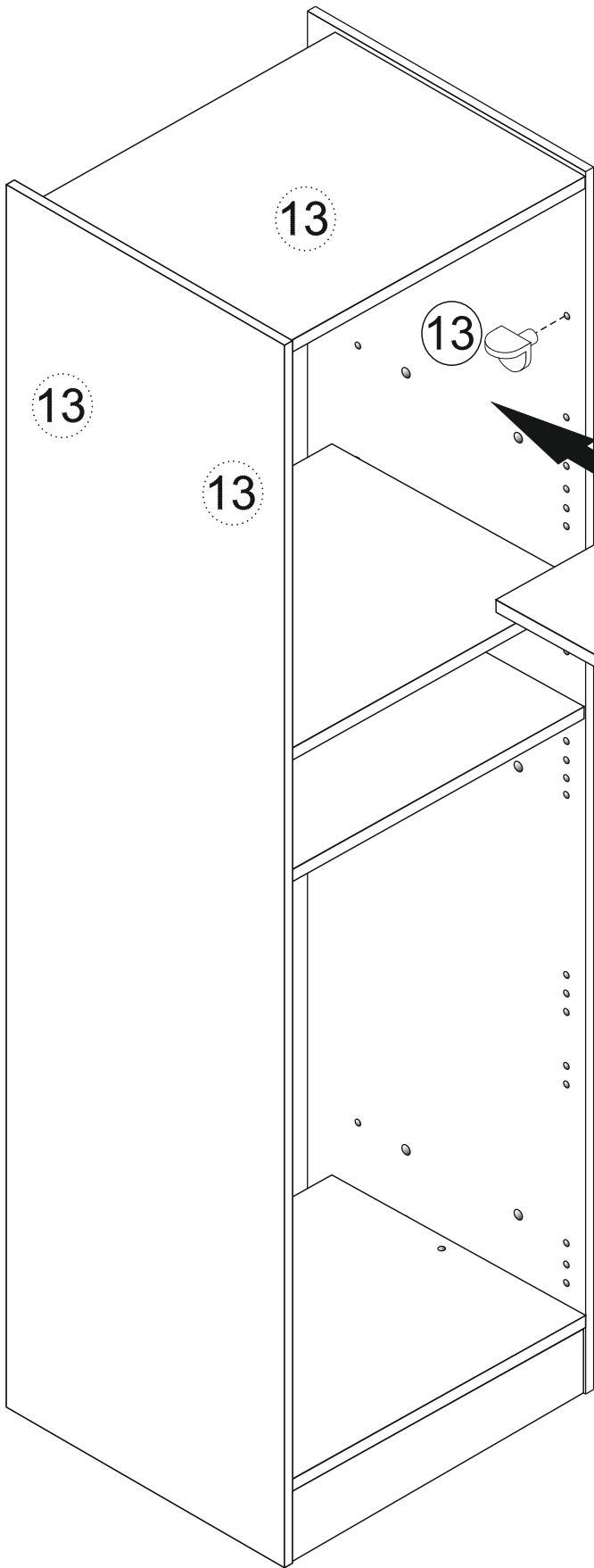
7

**OPTION 2**

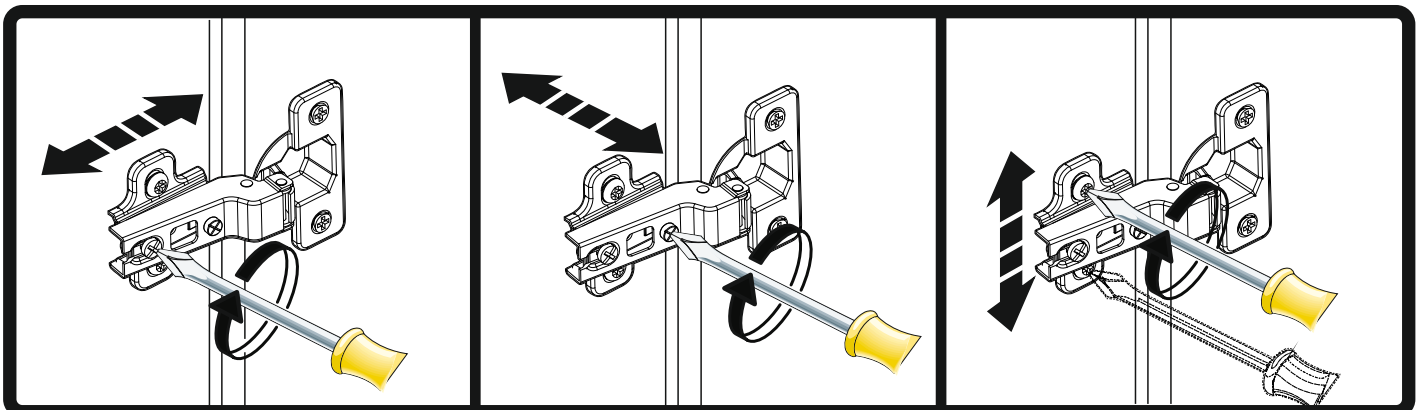
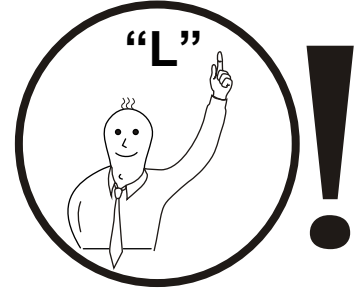
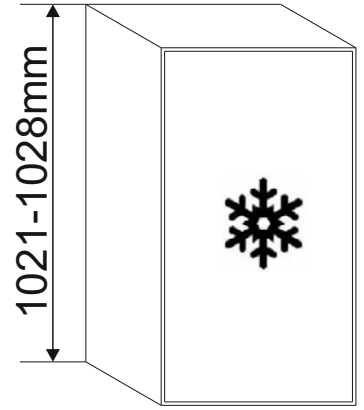
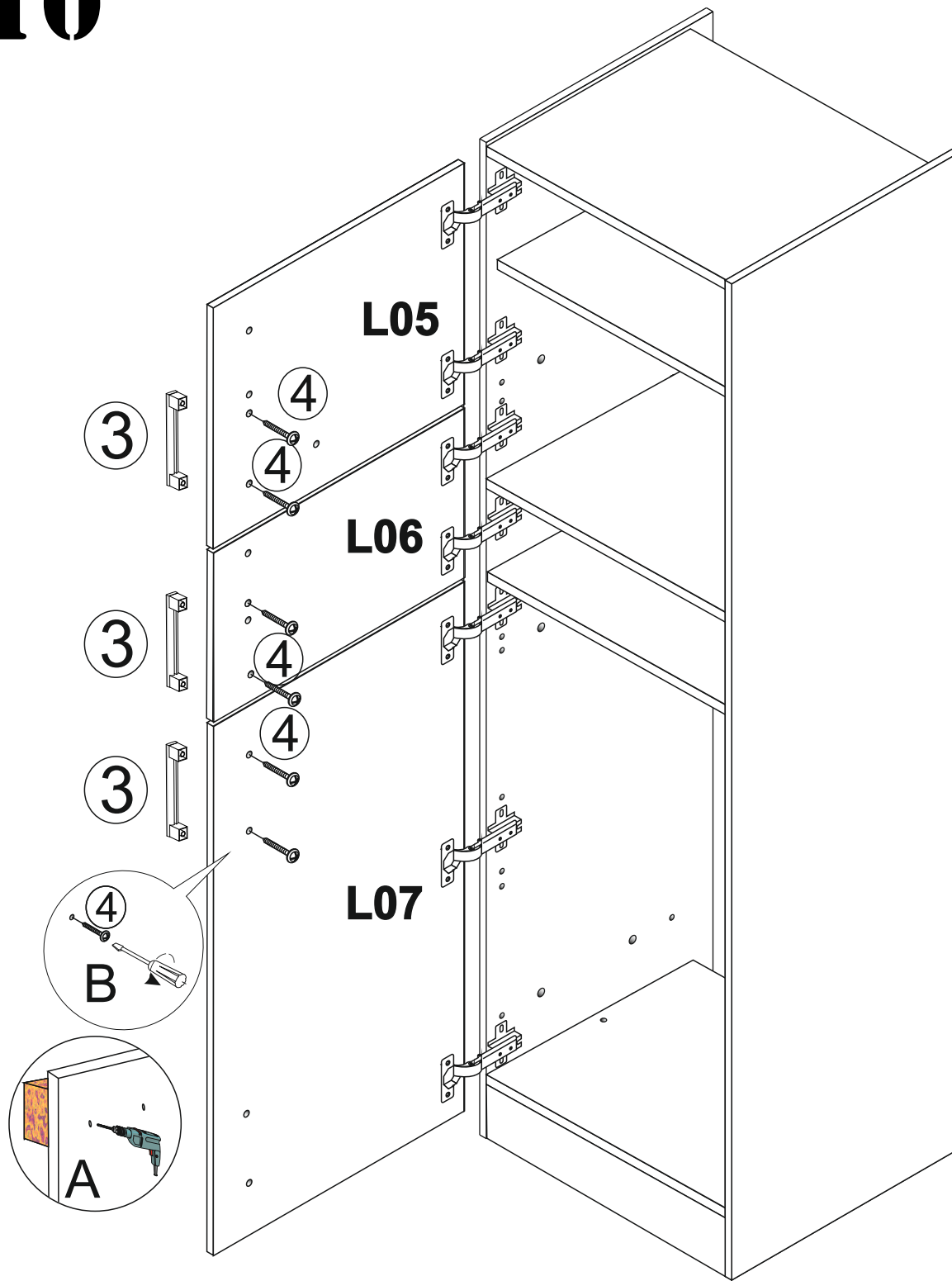


8





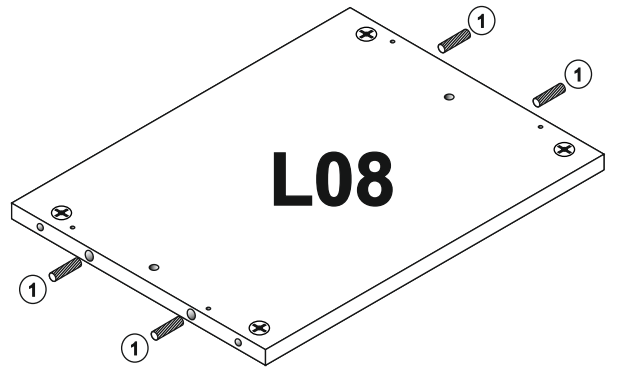
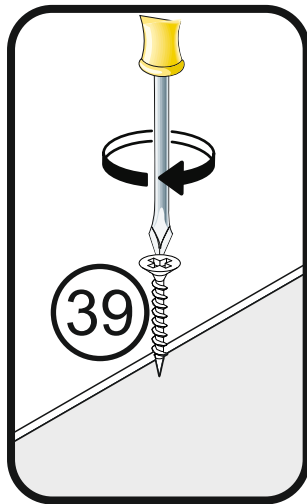
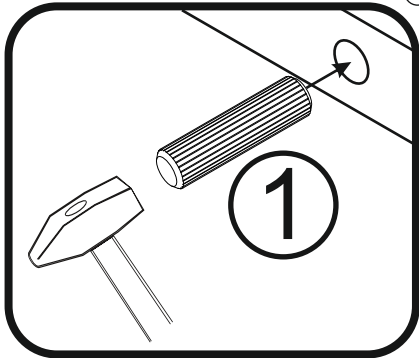
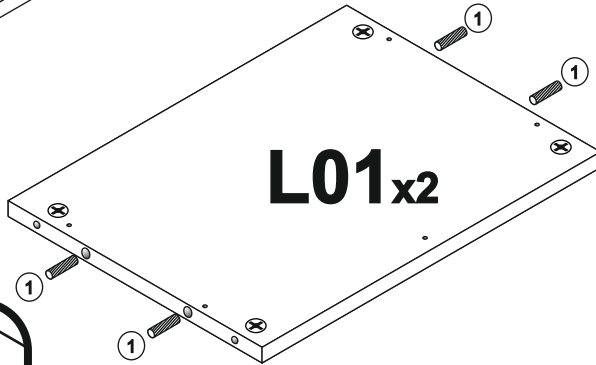
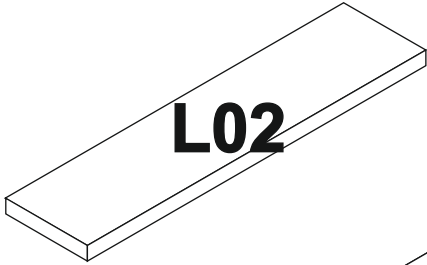
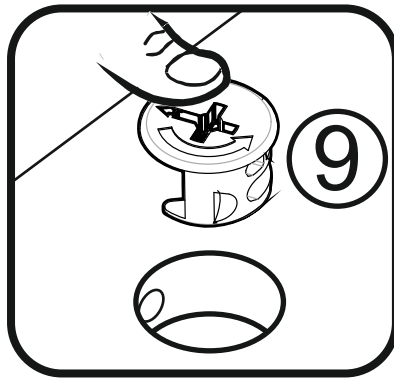
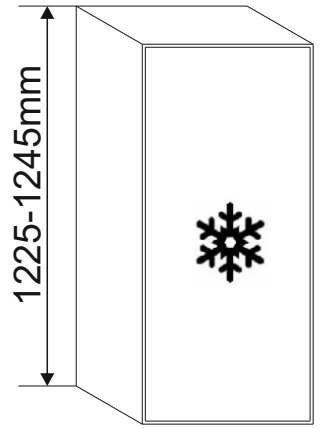
L10 567x500mm



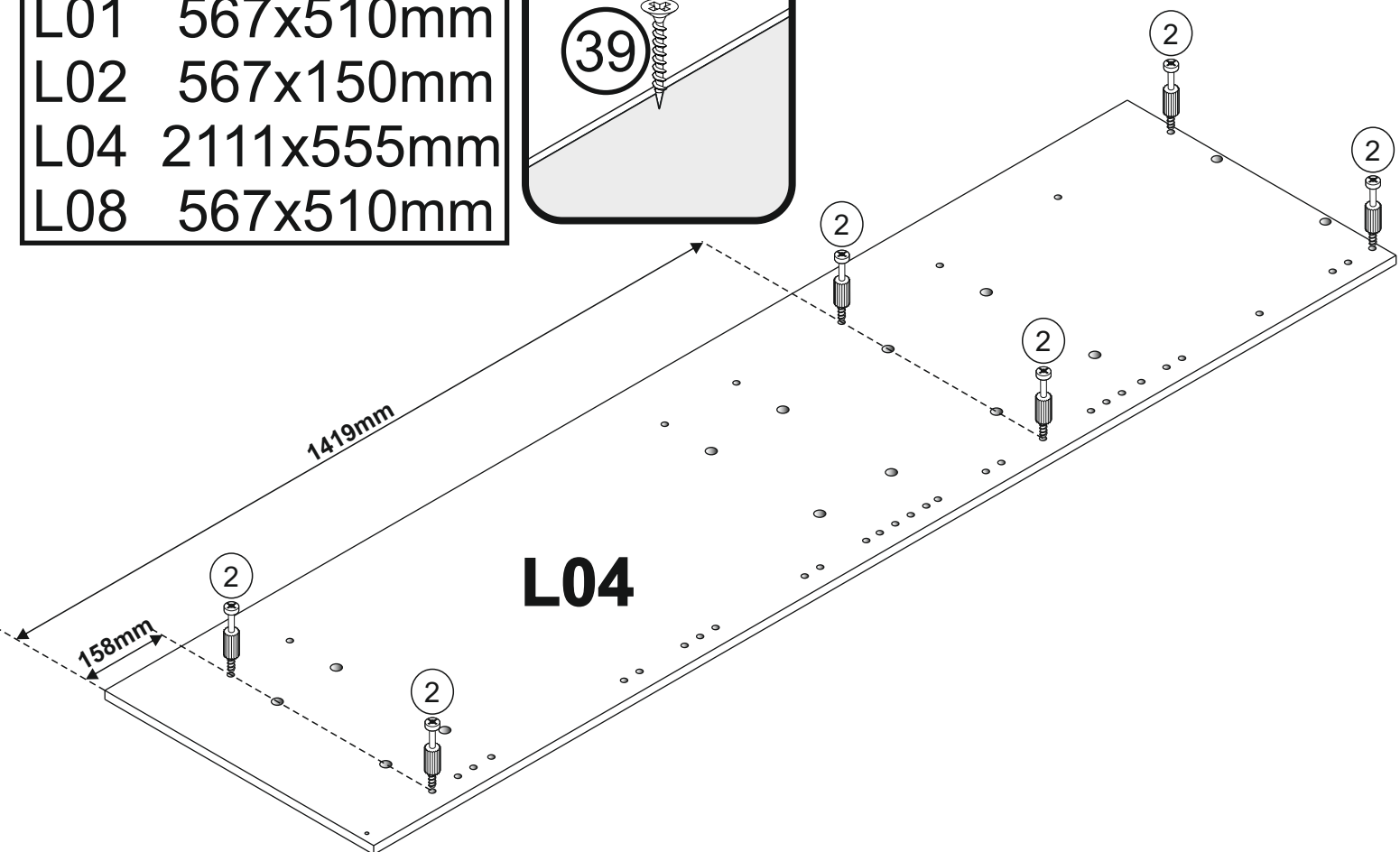


# 1

## OPTION 3

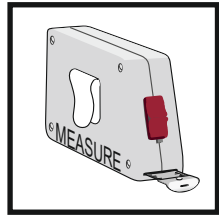
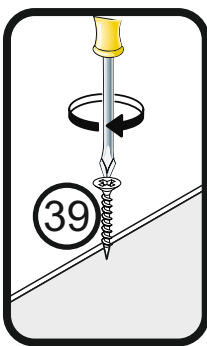
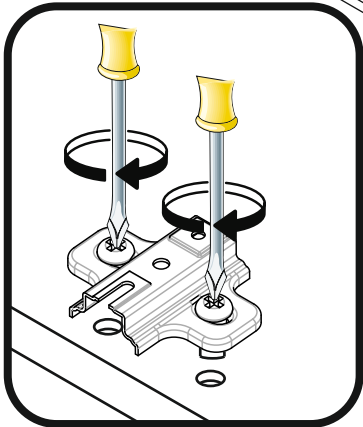
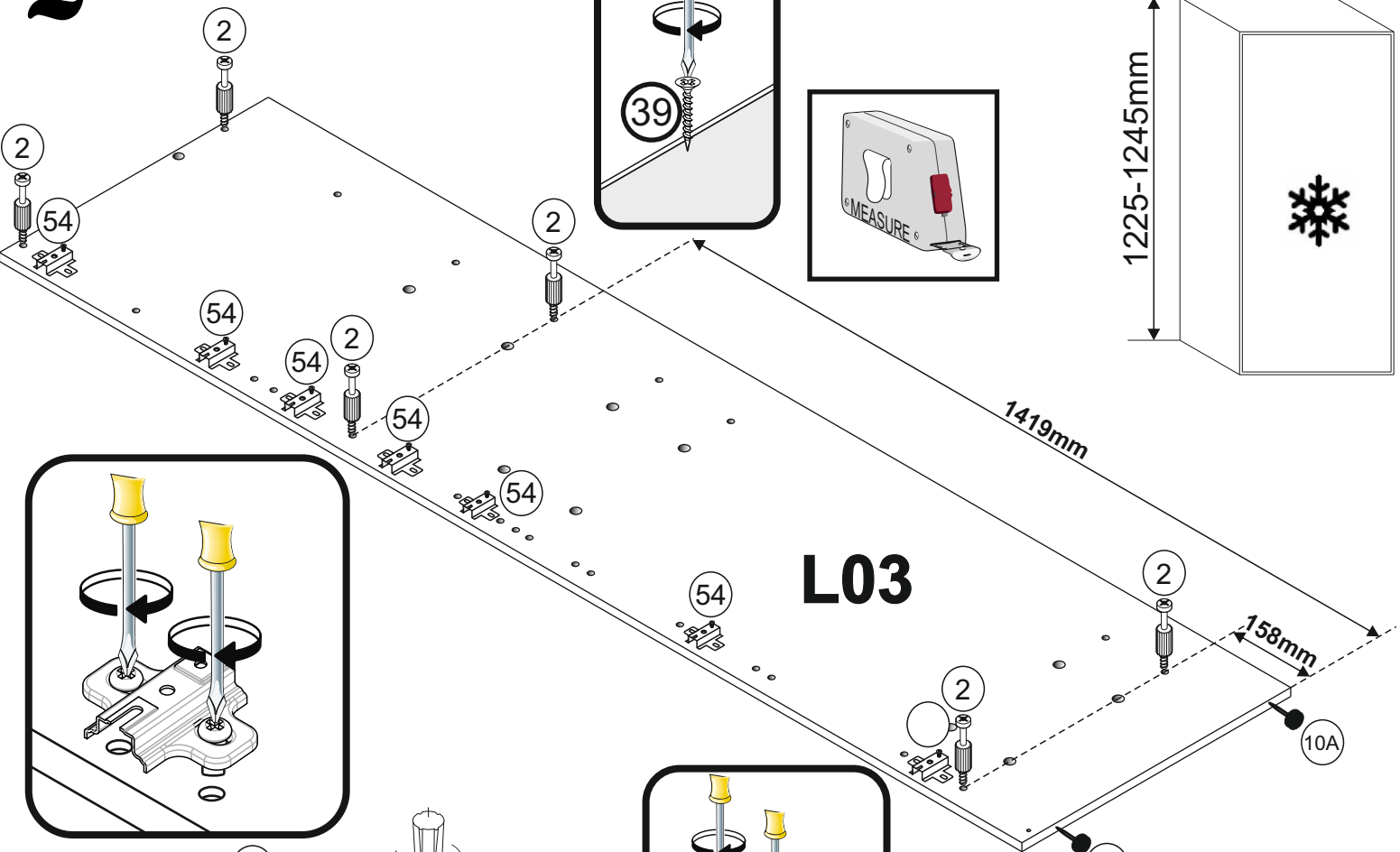
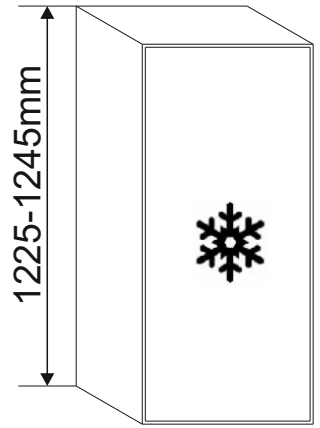


L01	567x510mm
L02	567x150mm
L04	2111x555mm
L08	567x510mm

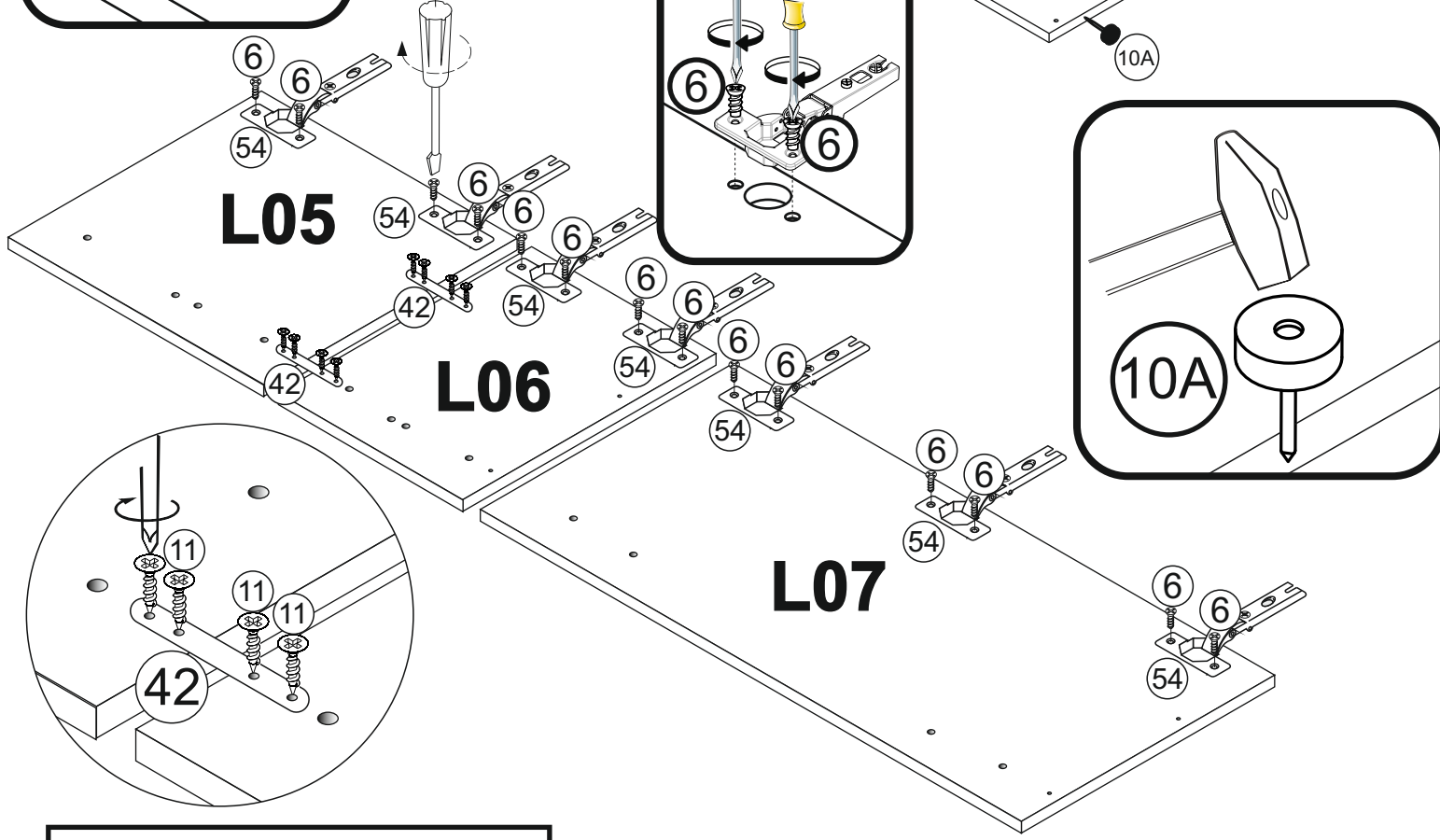


# 2

## OPTION 3



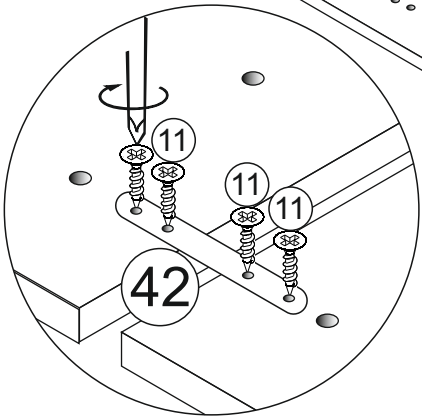
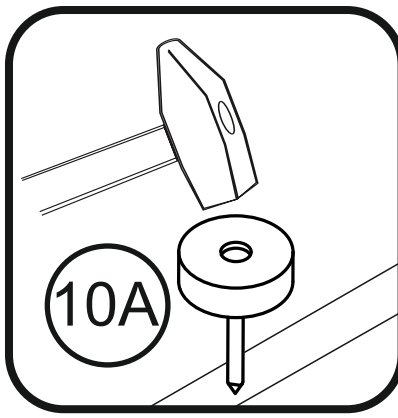
### L03



### L05

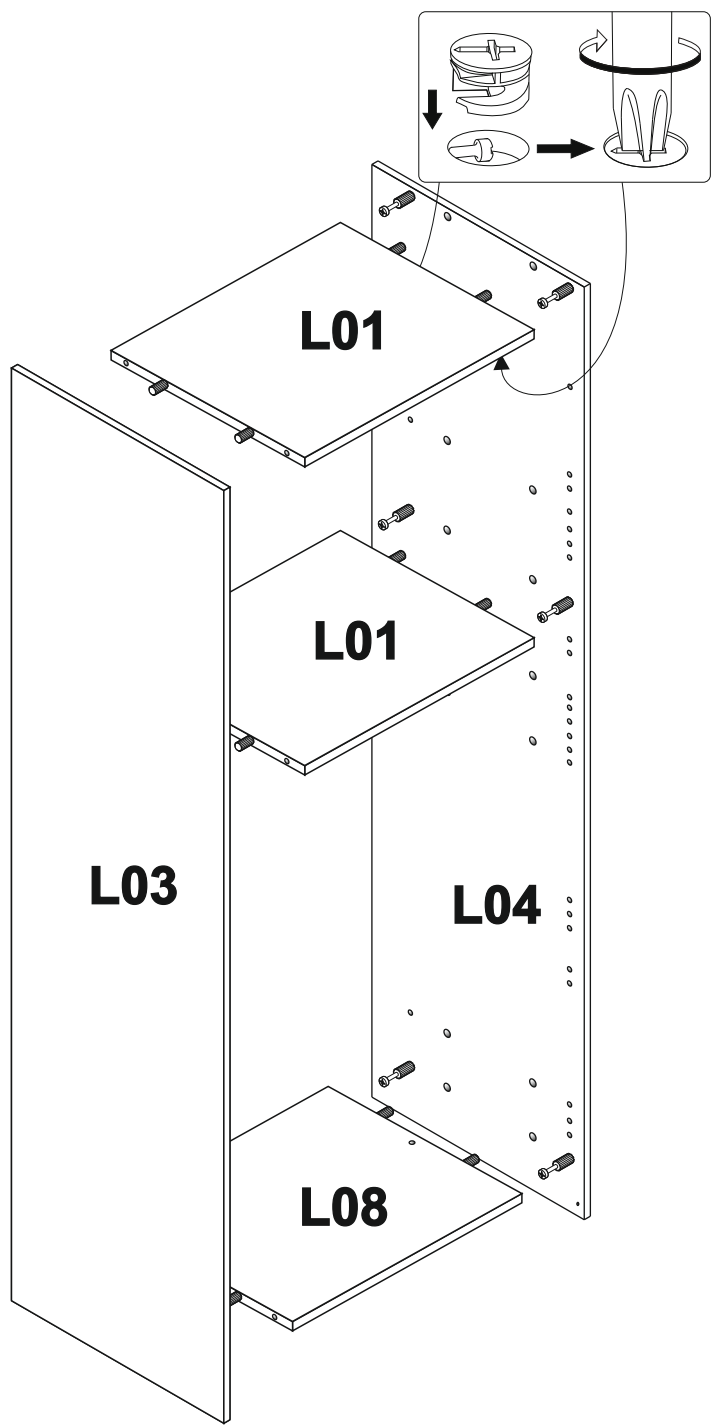
### L06

### L07

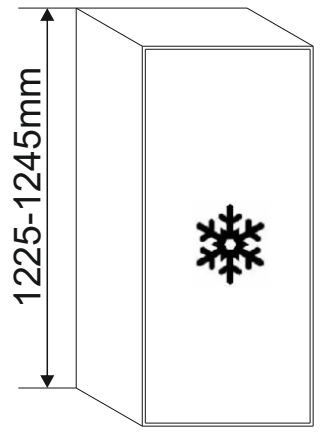


L03	2111x555mm
L05	495x596mm
L06	369x596mm
L07	1086x596mm

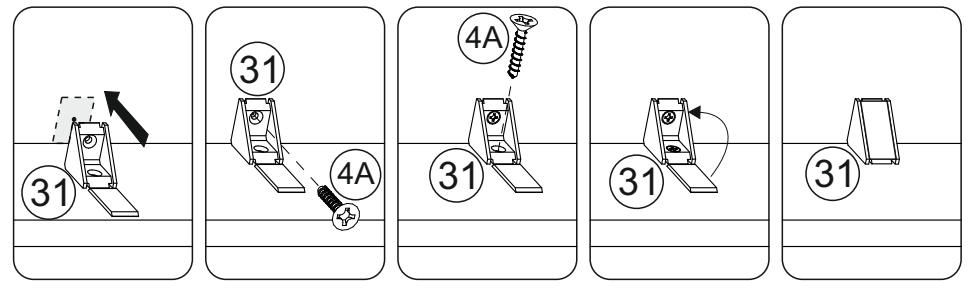
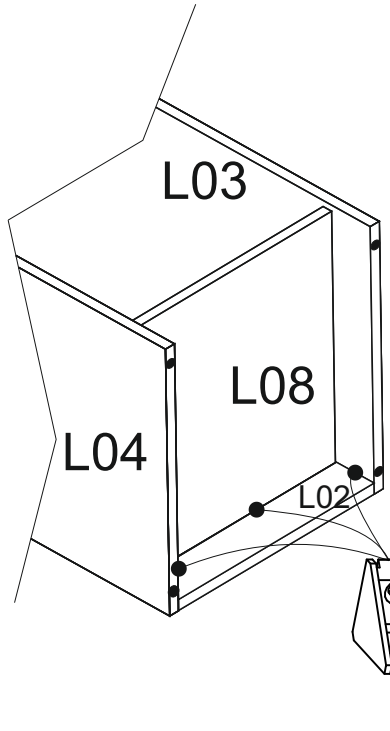
# 3



## OPTION 3



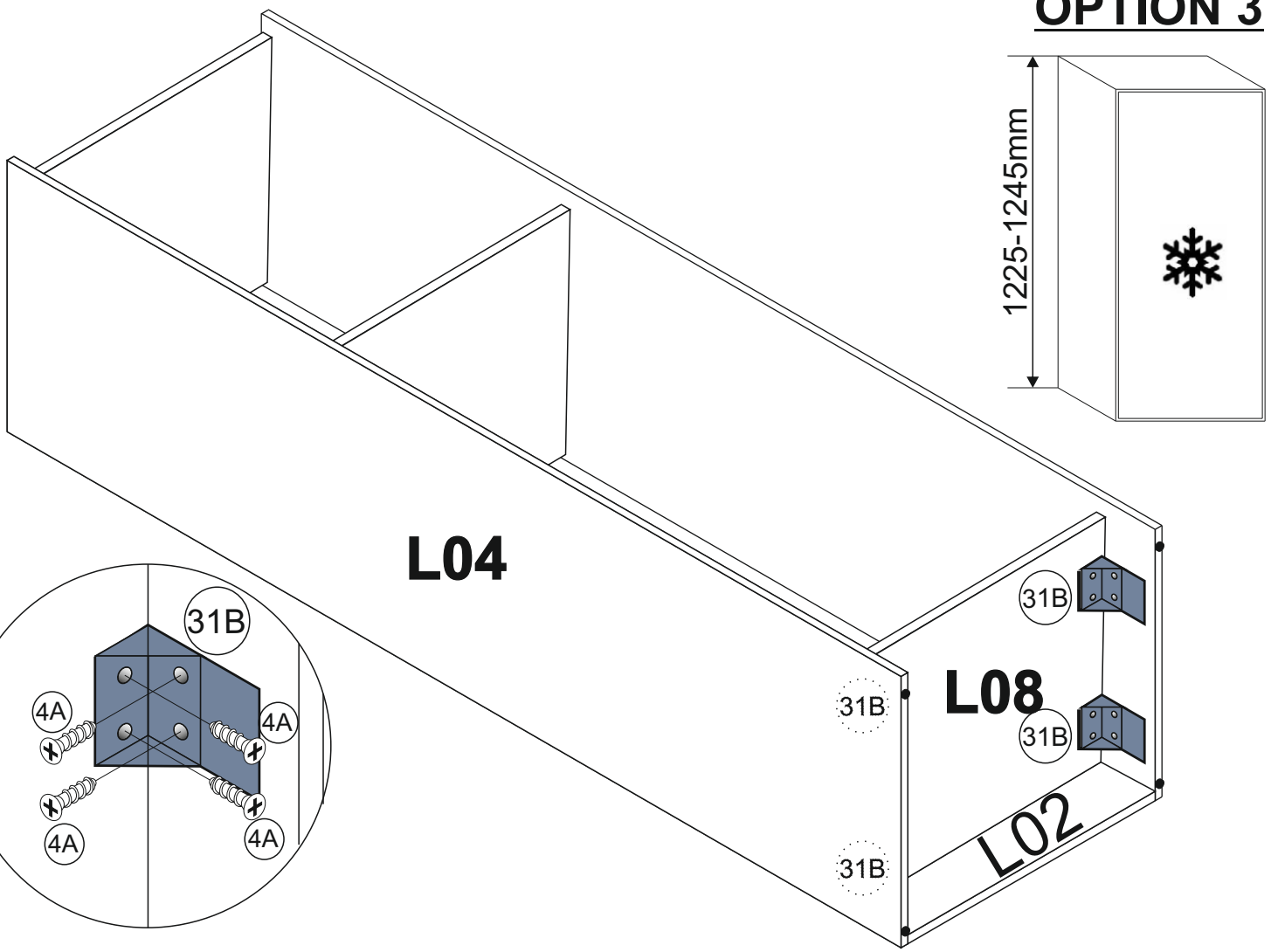
# 4



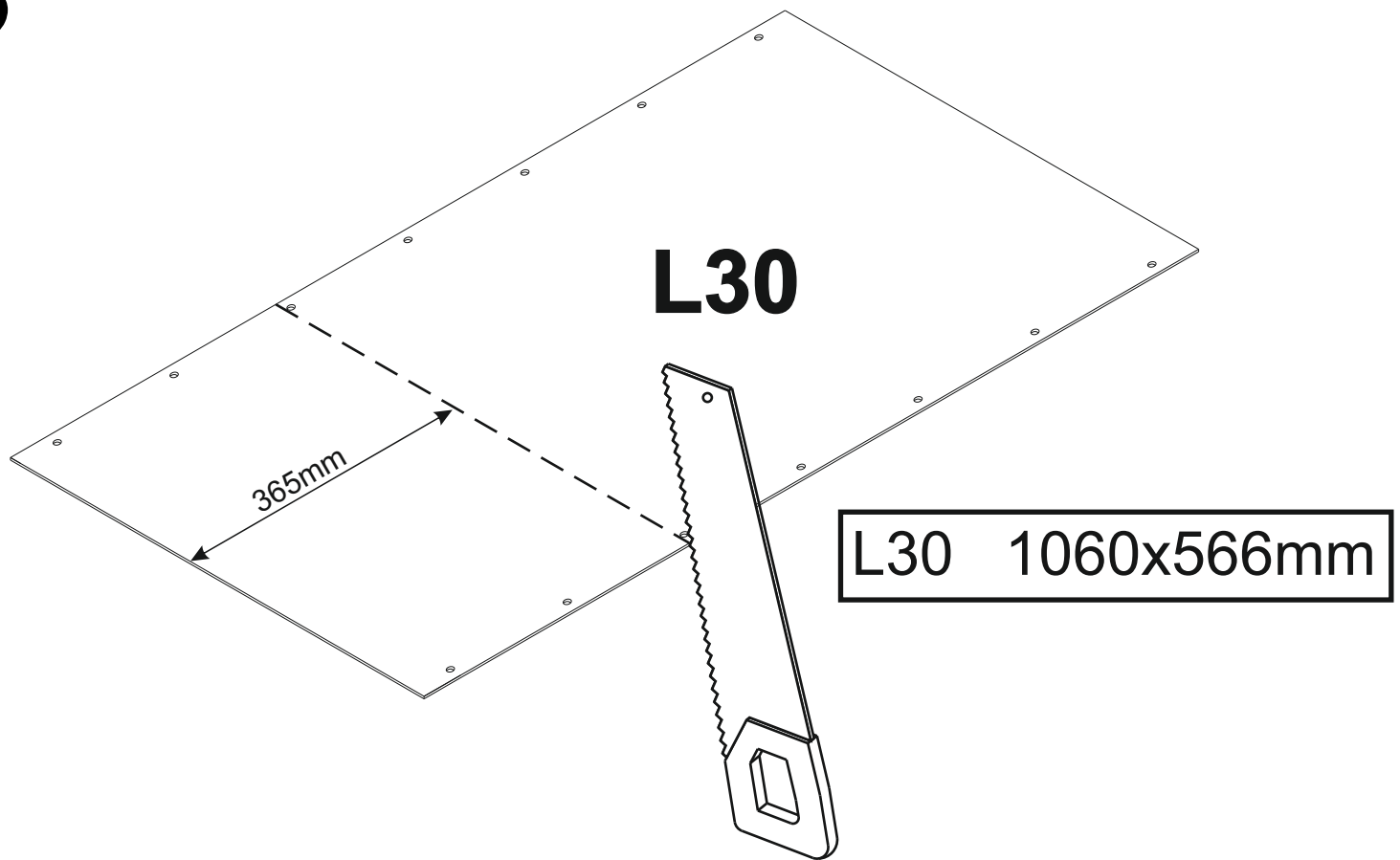
31 x3

5

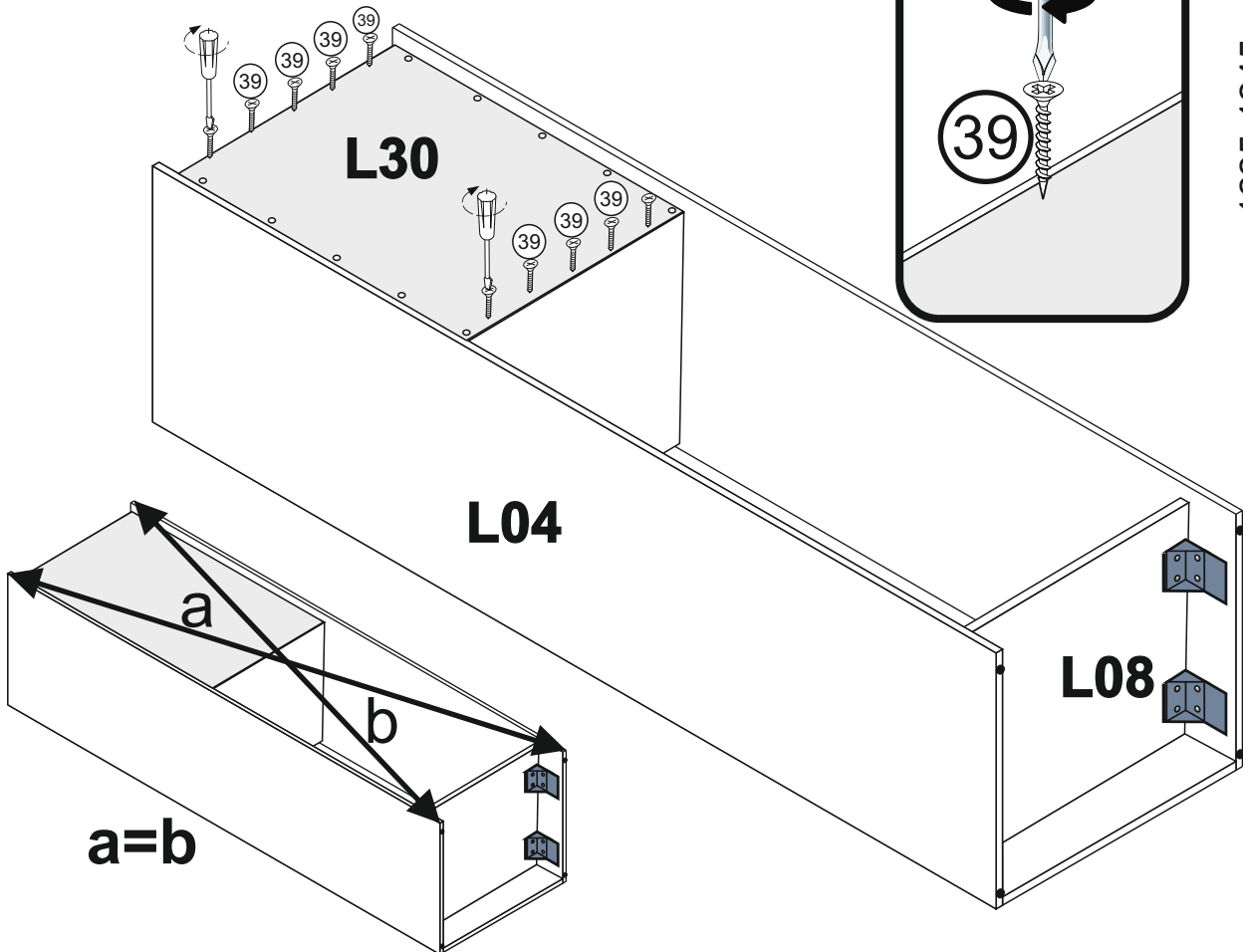
**OPTION 3**



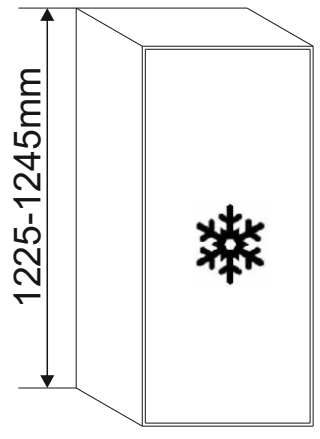
6



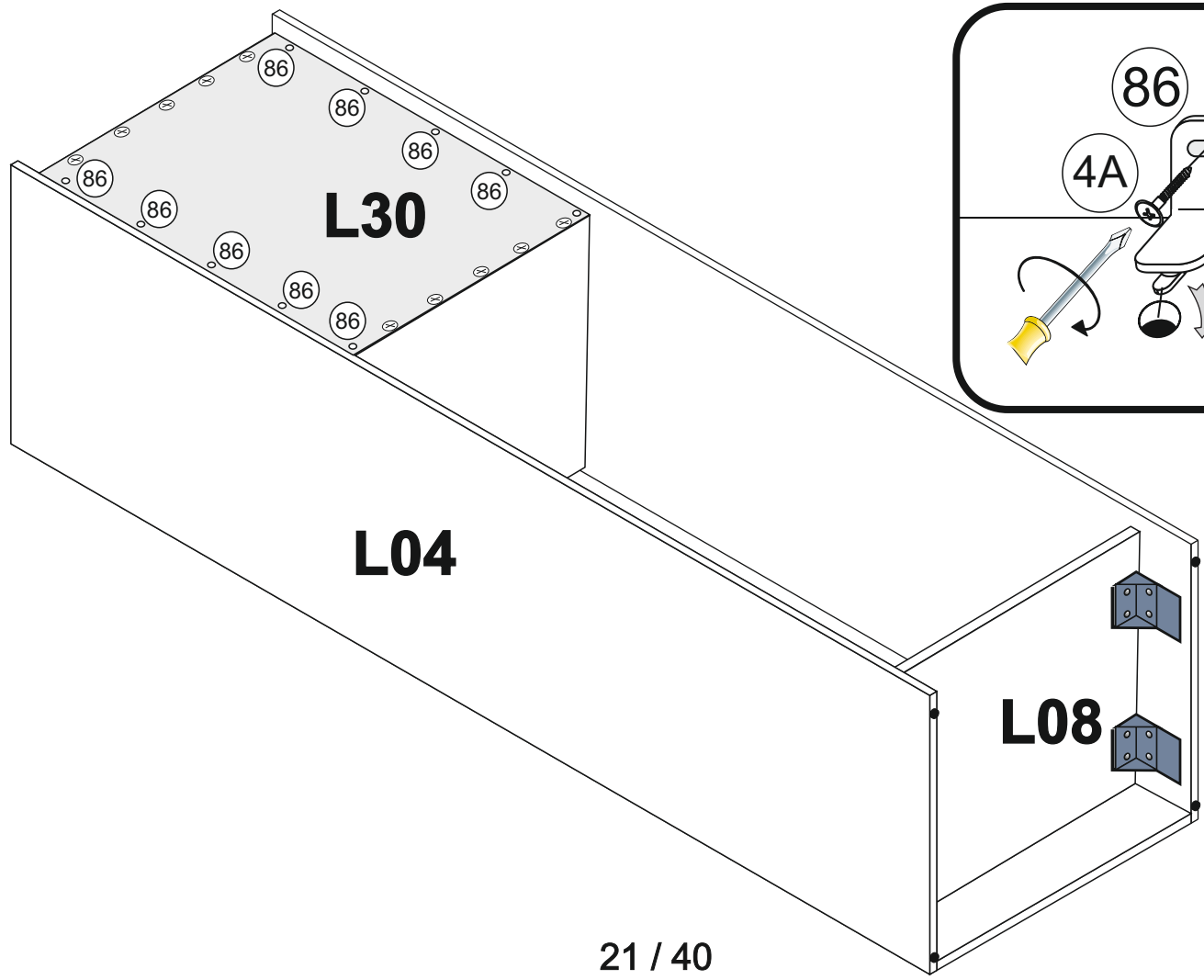
7

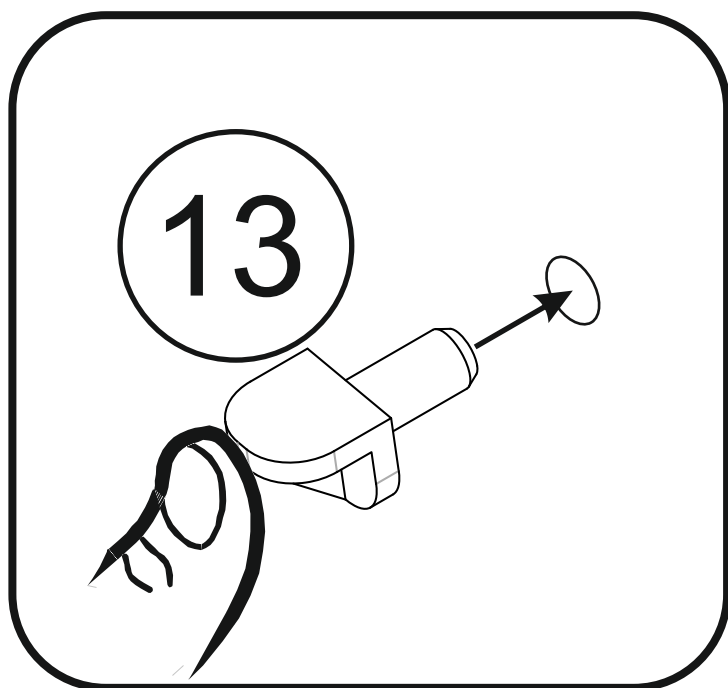
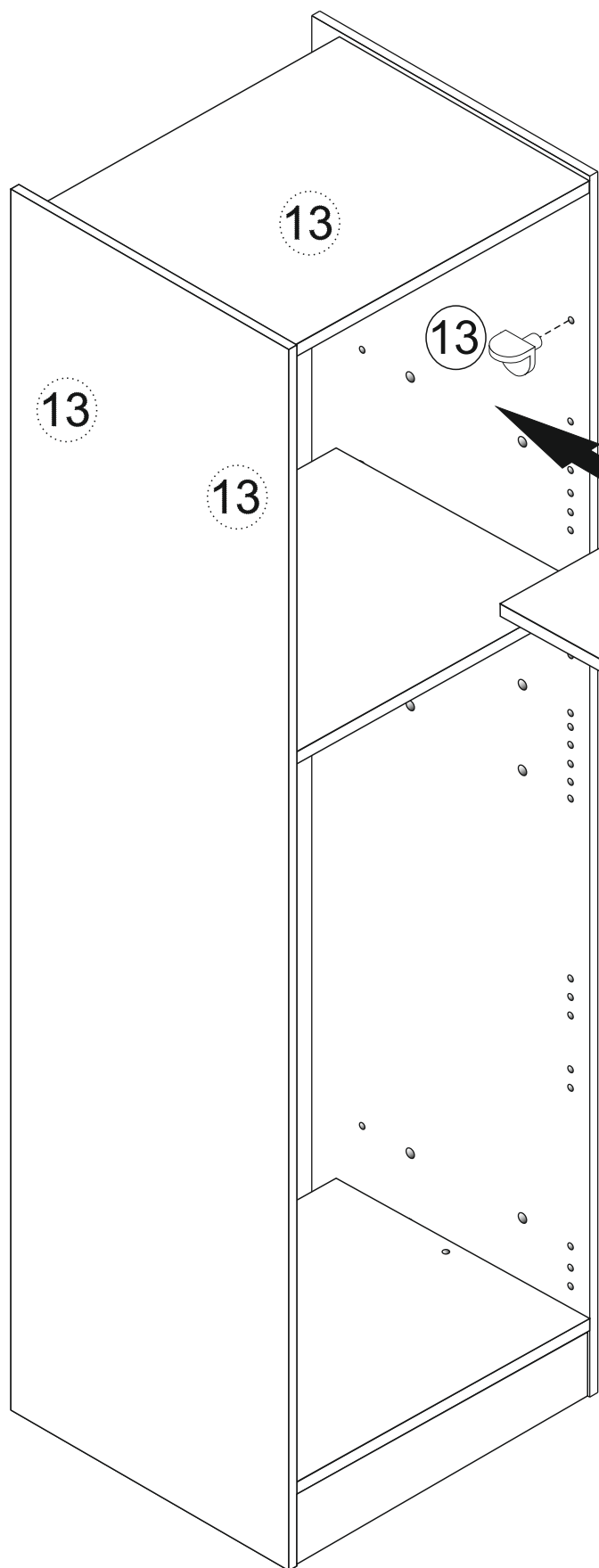
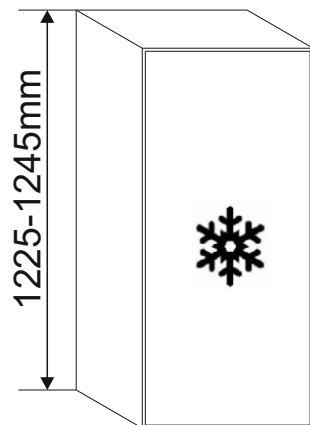


**OPTION 3**

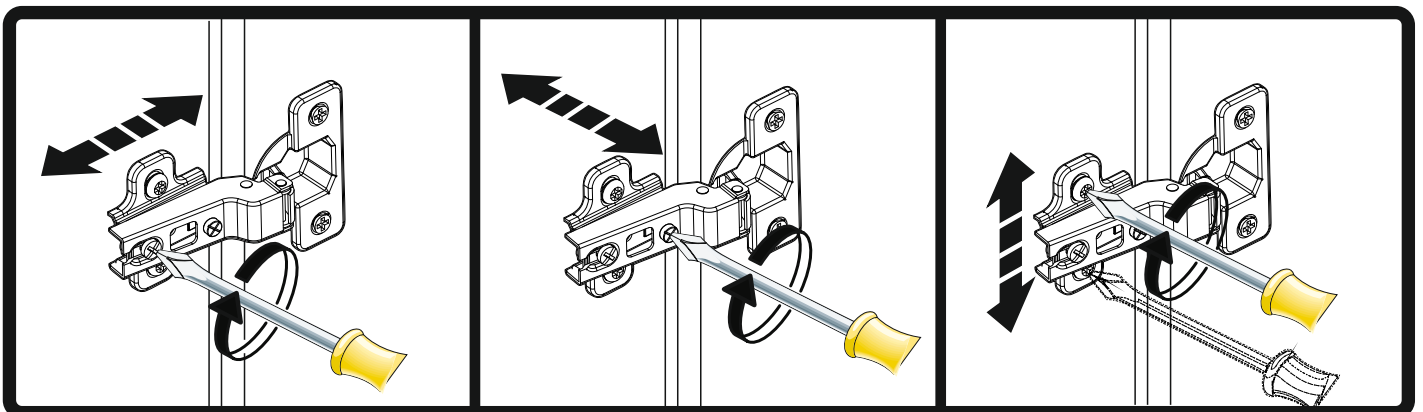
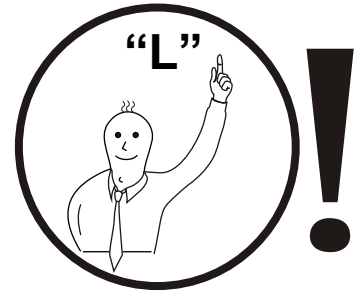
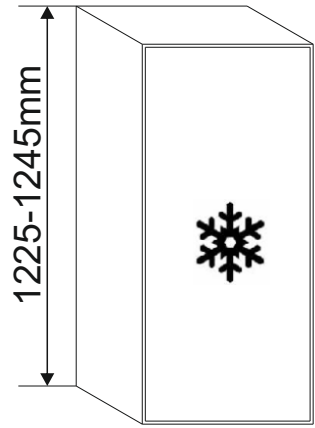
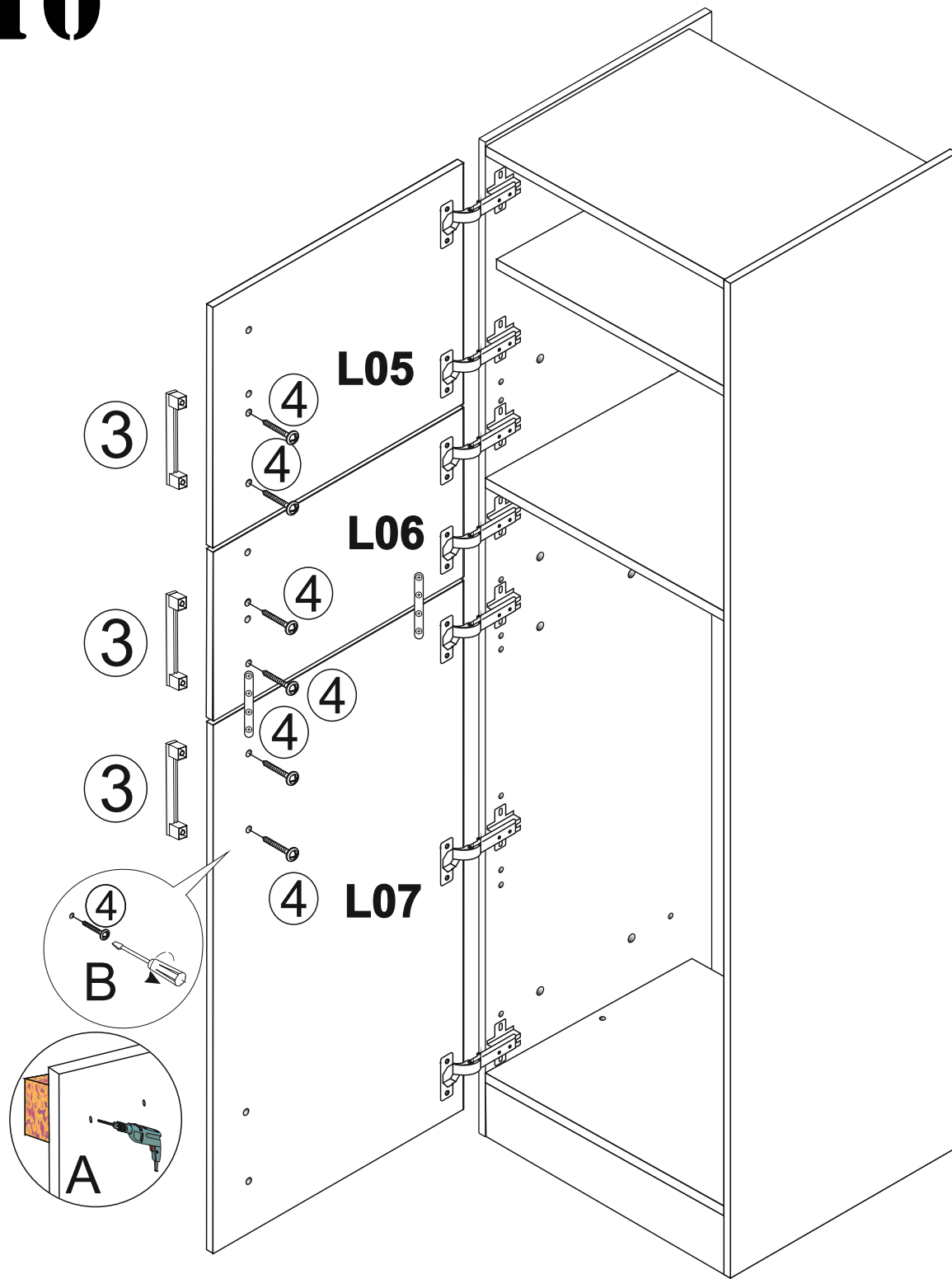


8



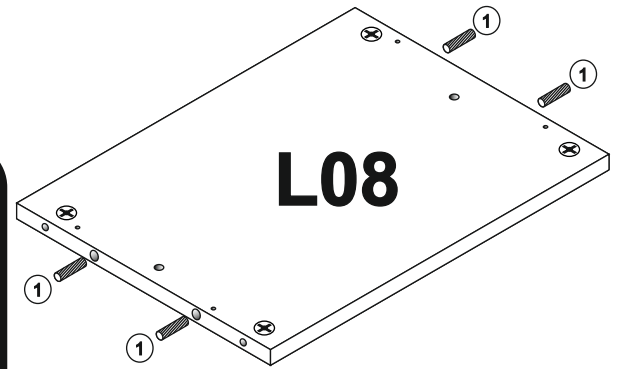
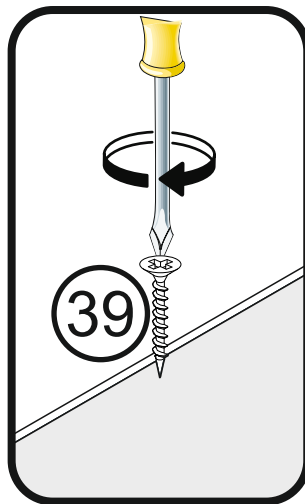
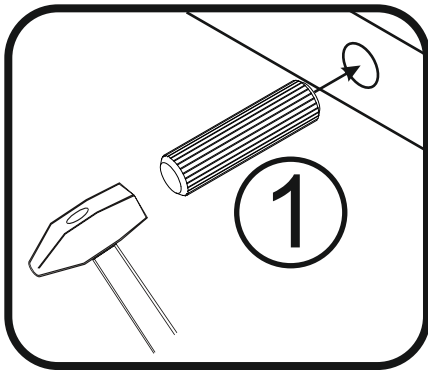
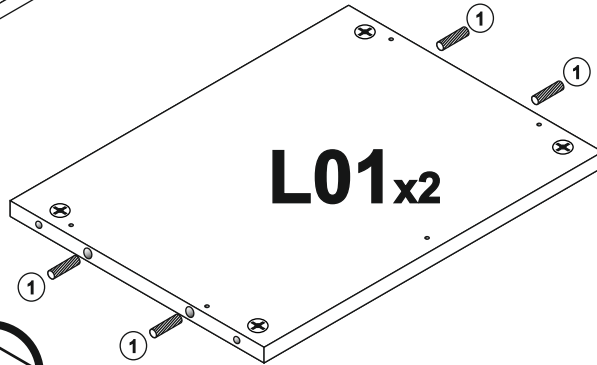
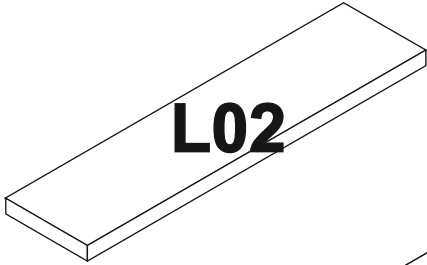
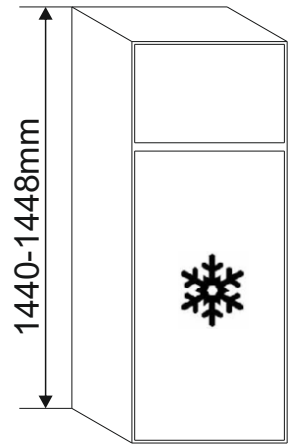
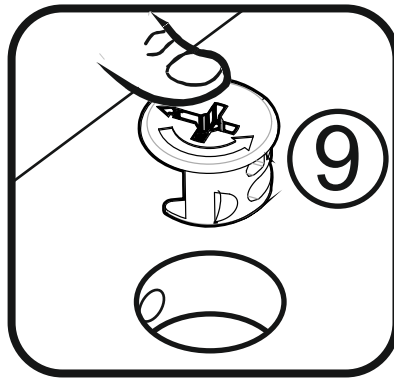


L10 567x500mm

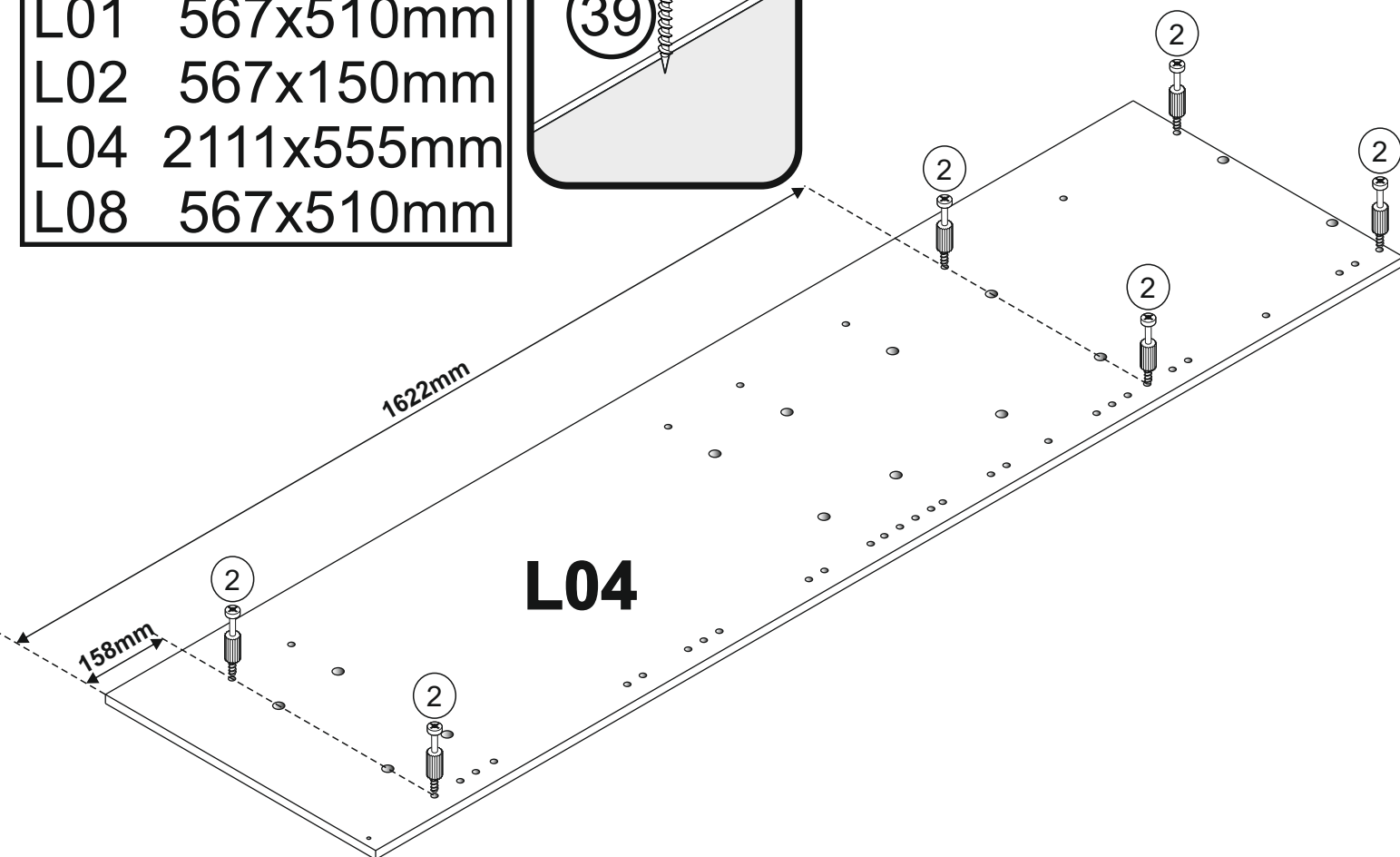


# 1

## OPTION 4



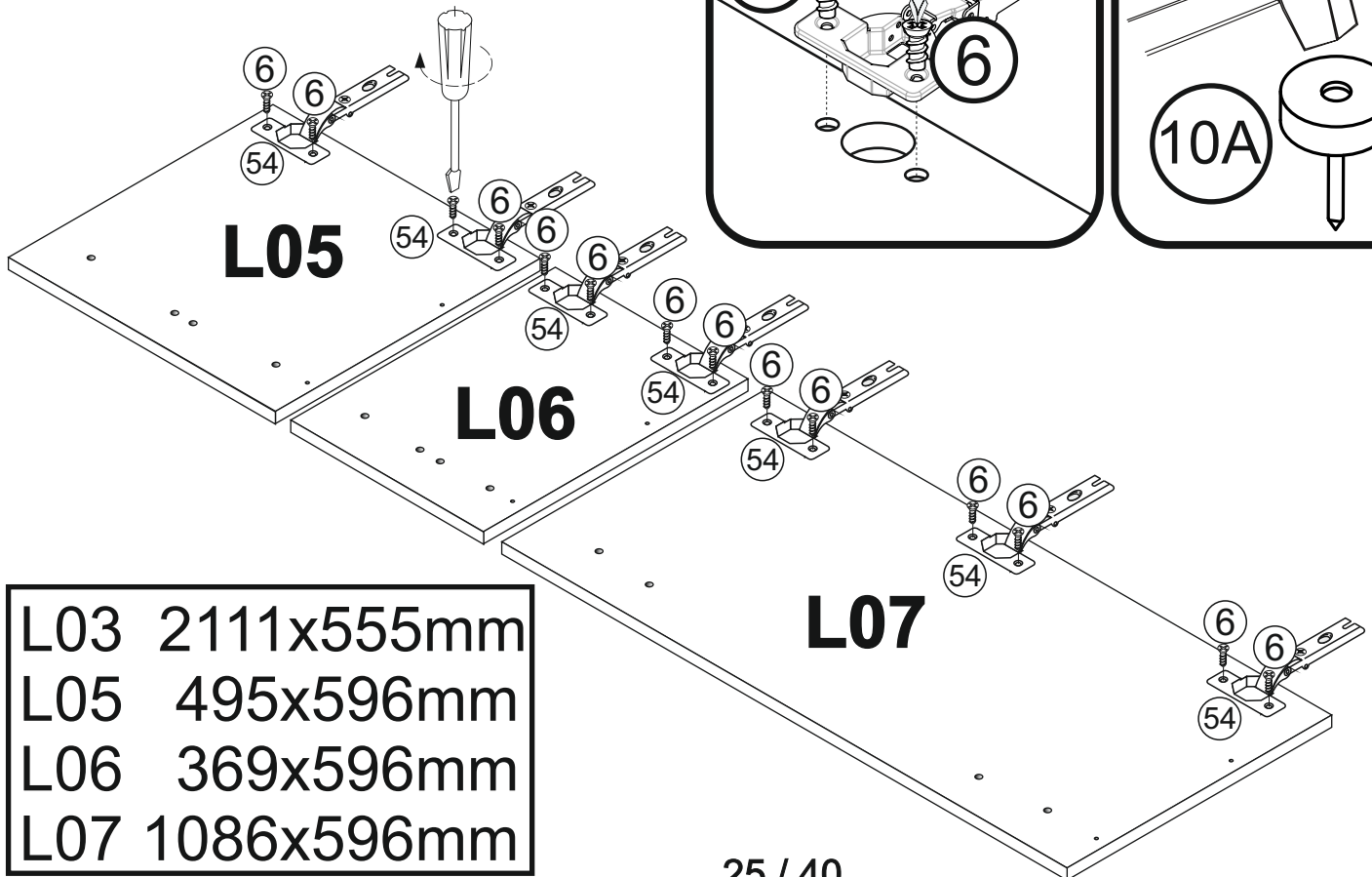
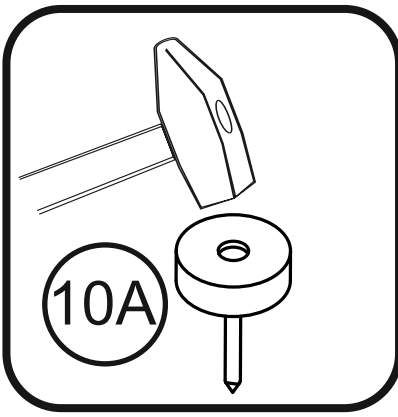
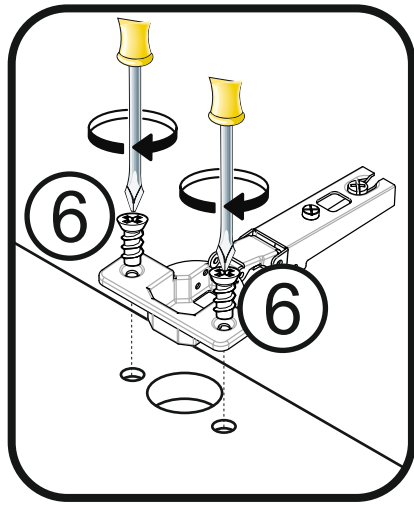
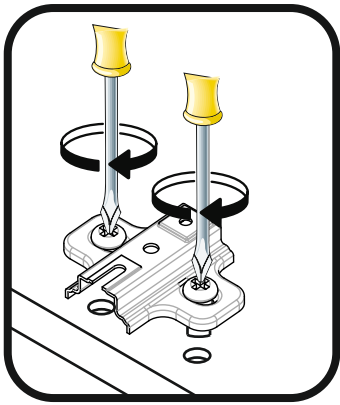
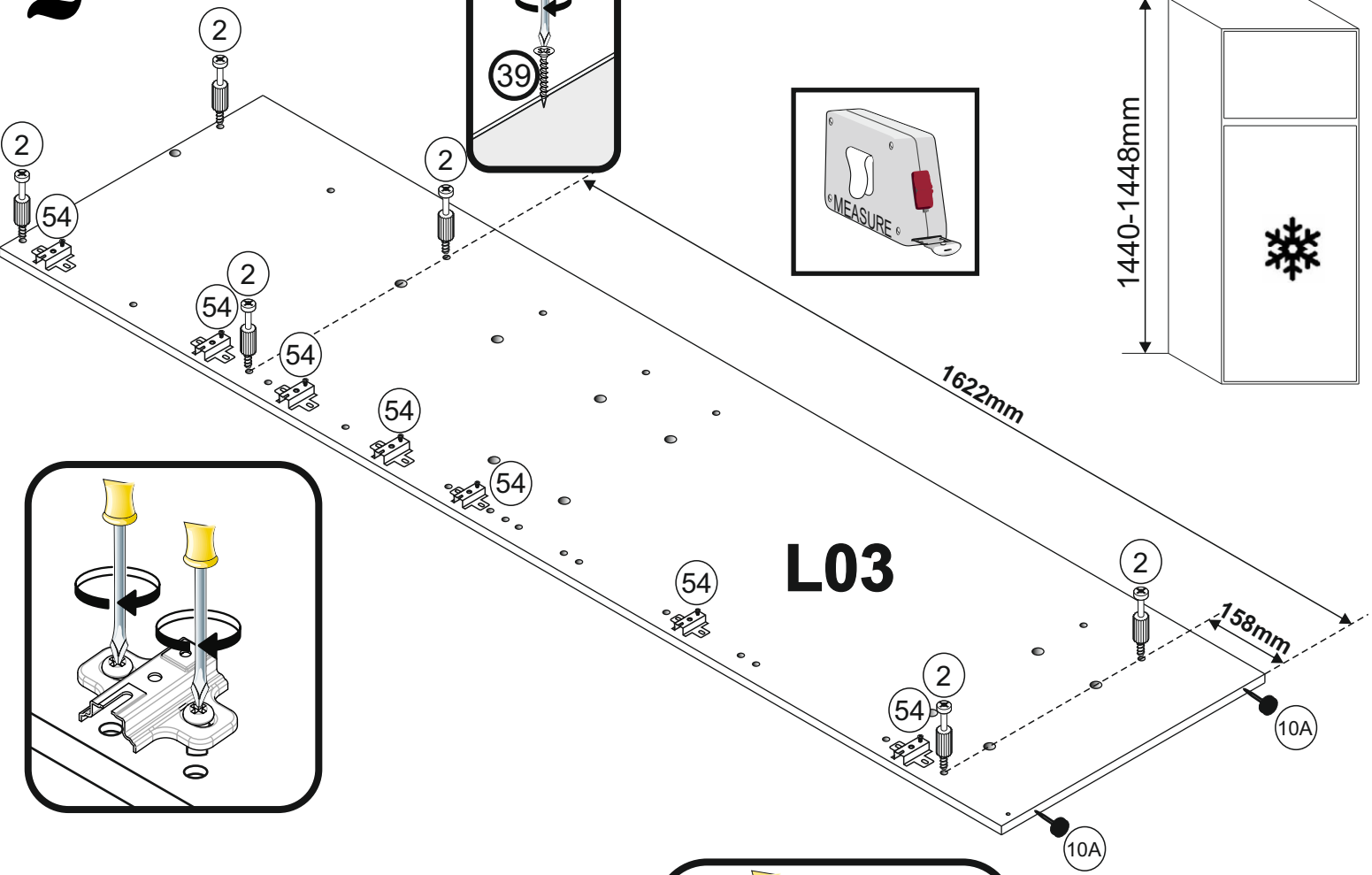
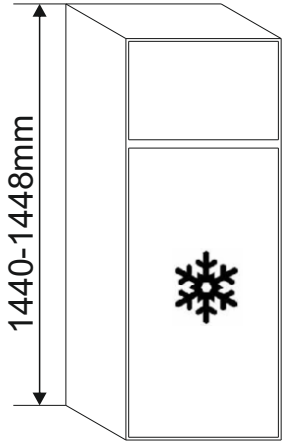
L01	567x510mm
L02	567x150mm
L04	2111x555mm
L08	567x510mm





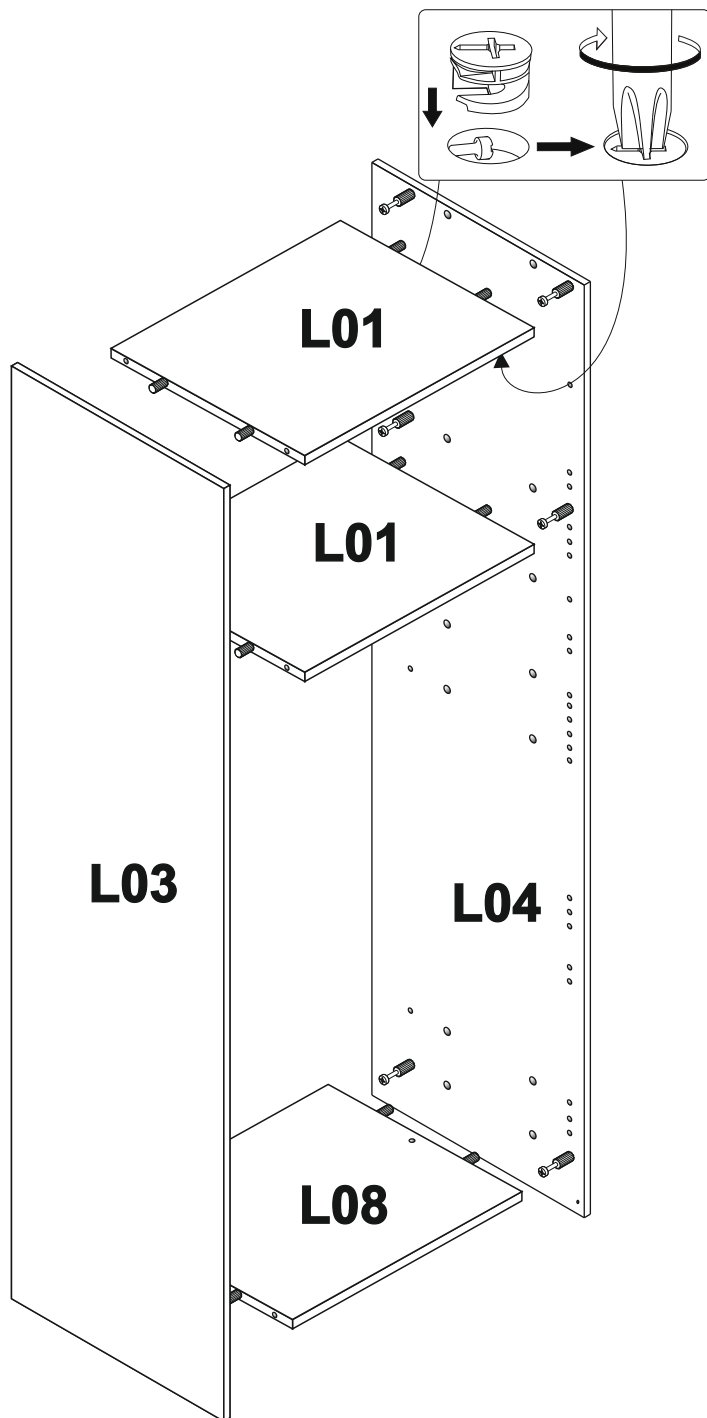
# 2

## OPTION 4

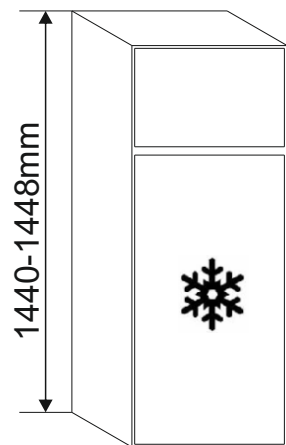


- L03 2111x555mm
- L05 495x596mm
- L06 369x596mm
- L07 1086x596mm

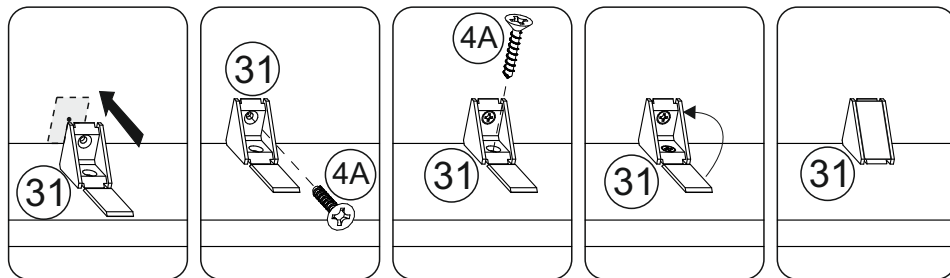
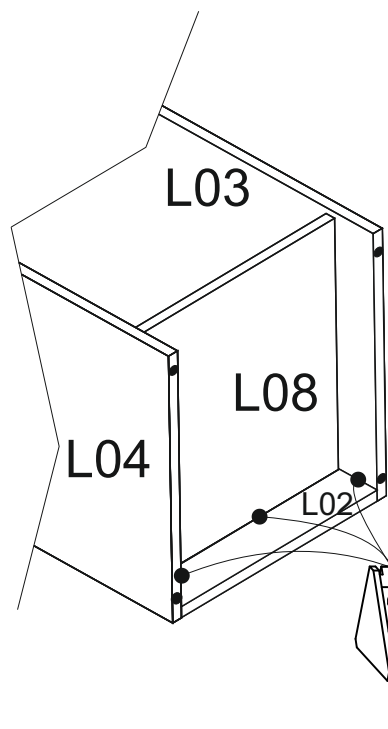
# 3



## OPTION 4



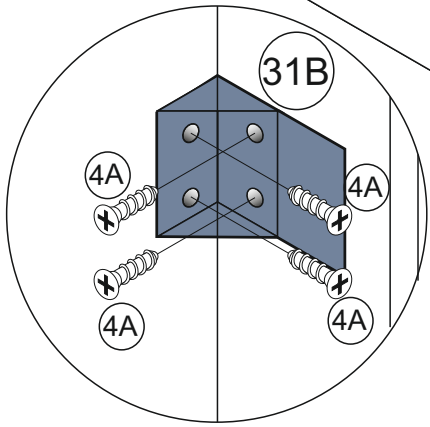
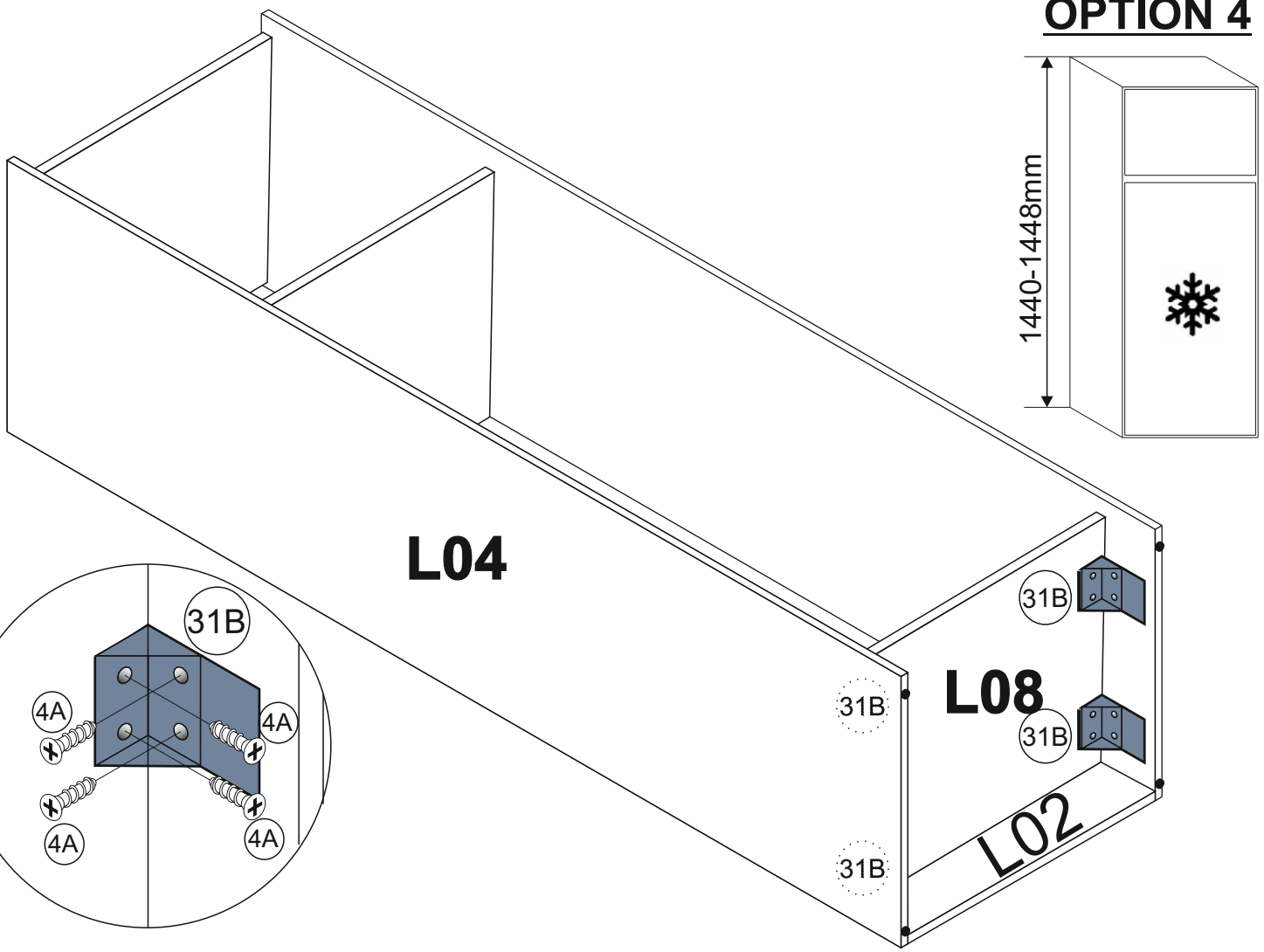
# 4



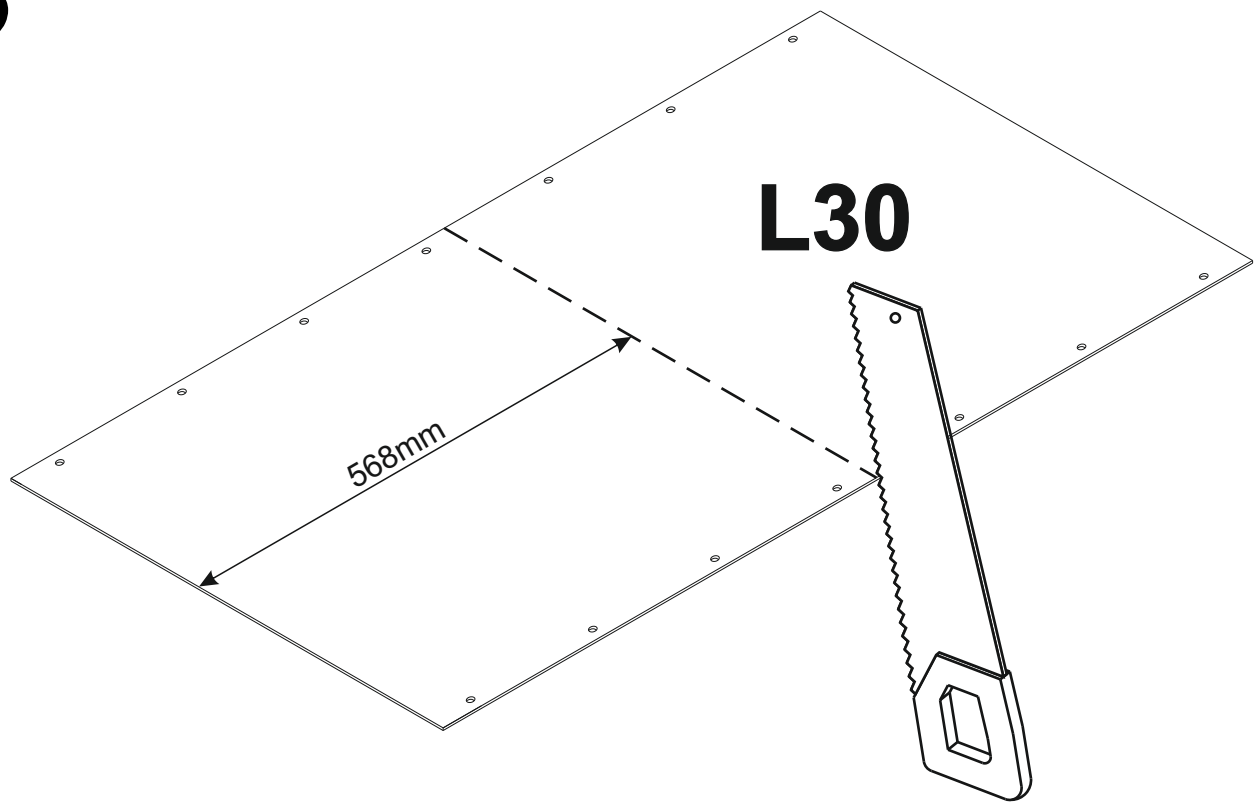
31 x3

5

OPTION 4



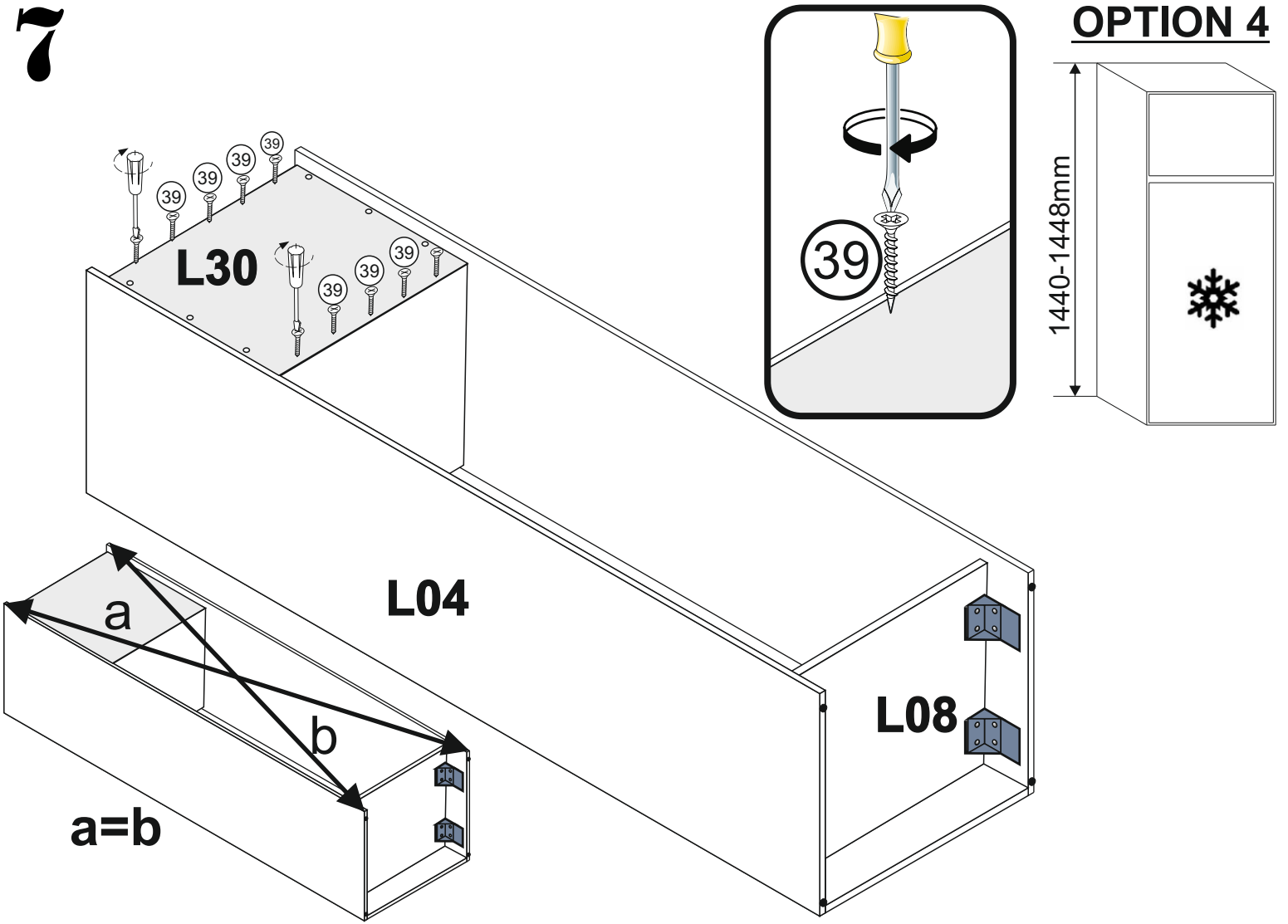
6



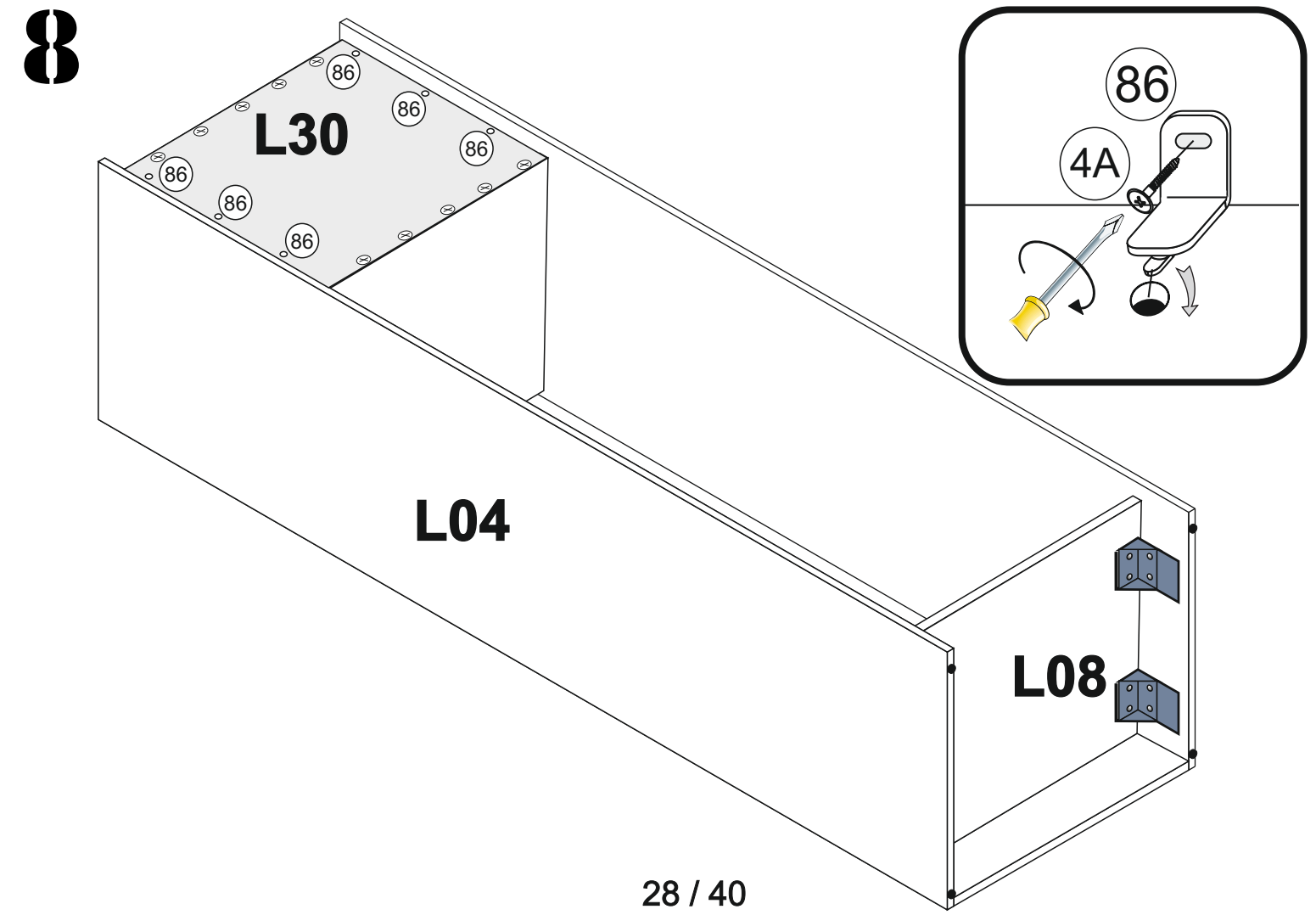
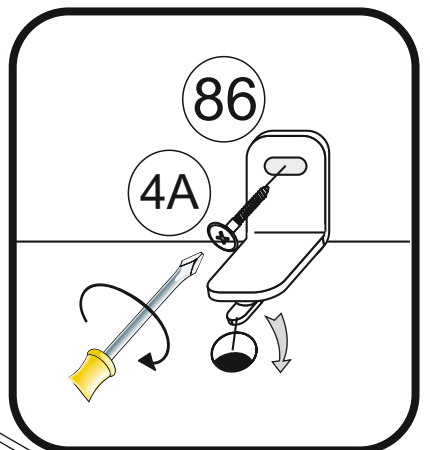
L30 1060x566mm

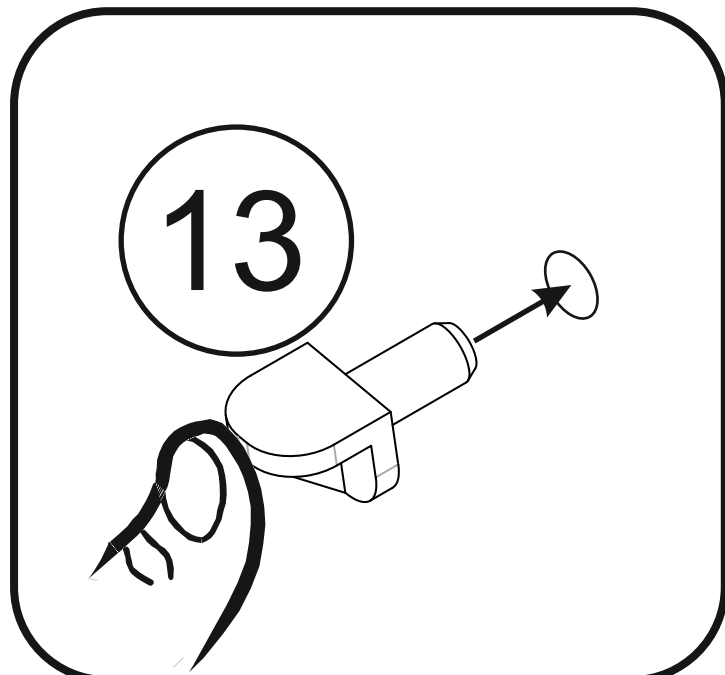
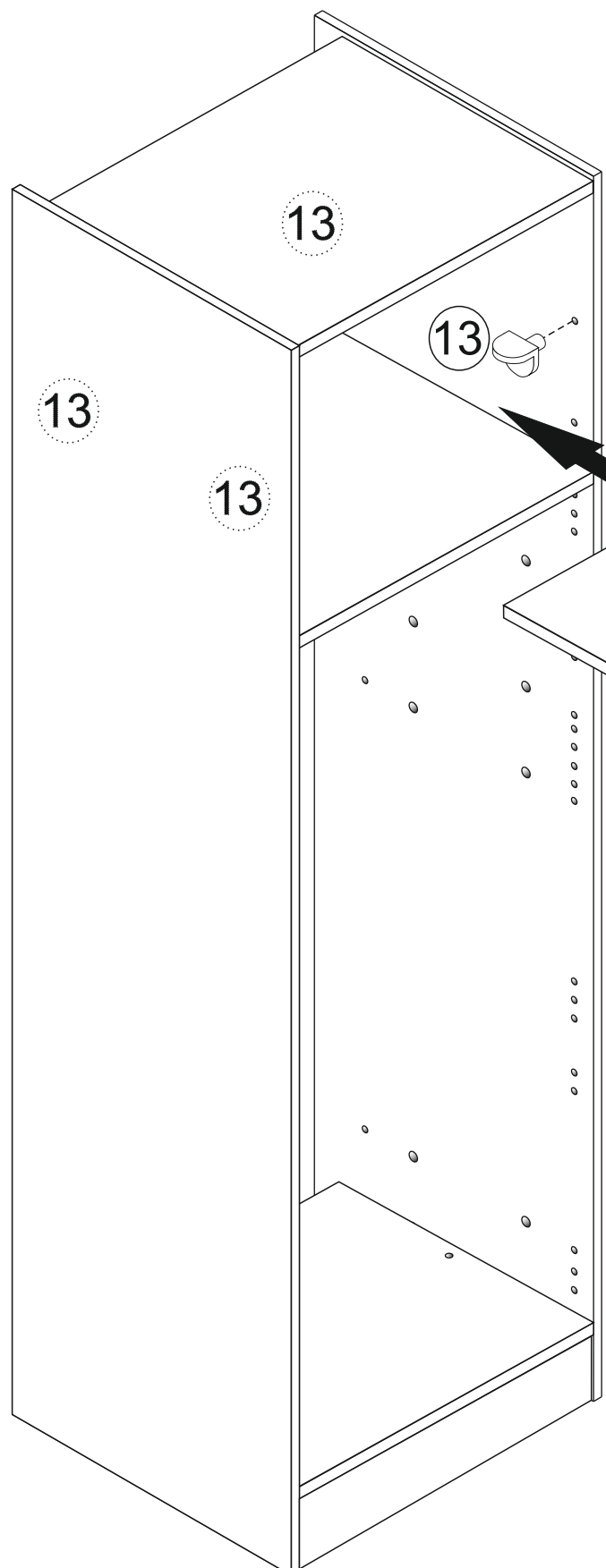
7

**OPTION 4**

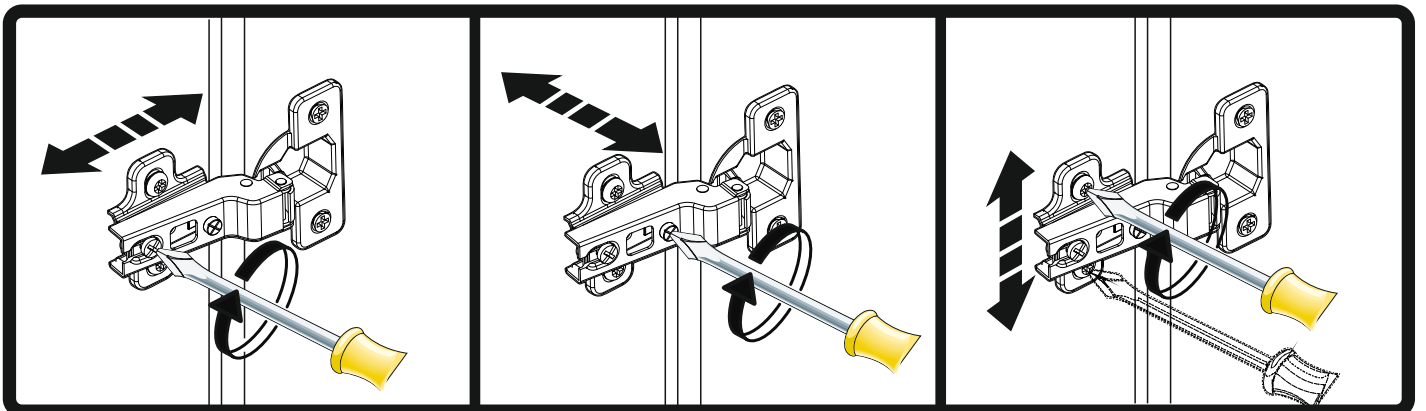
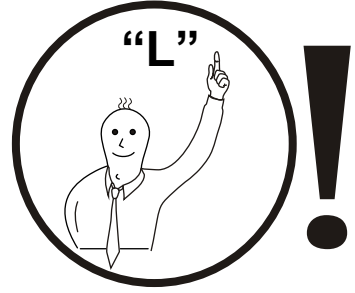
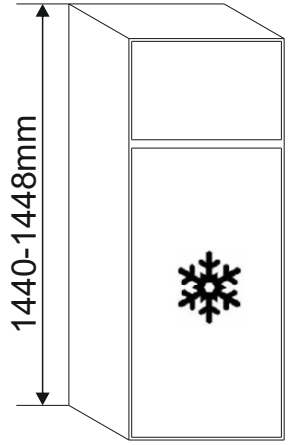
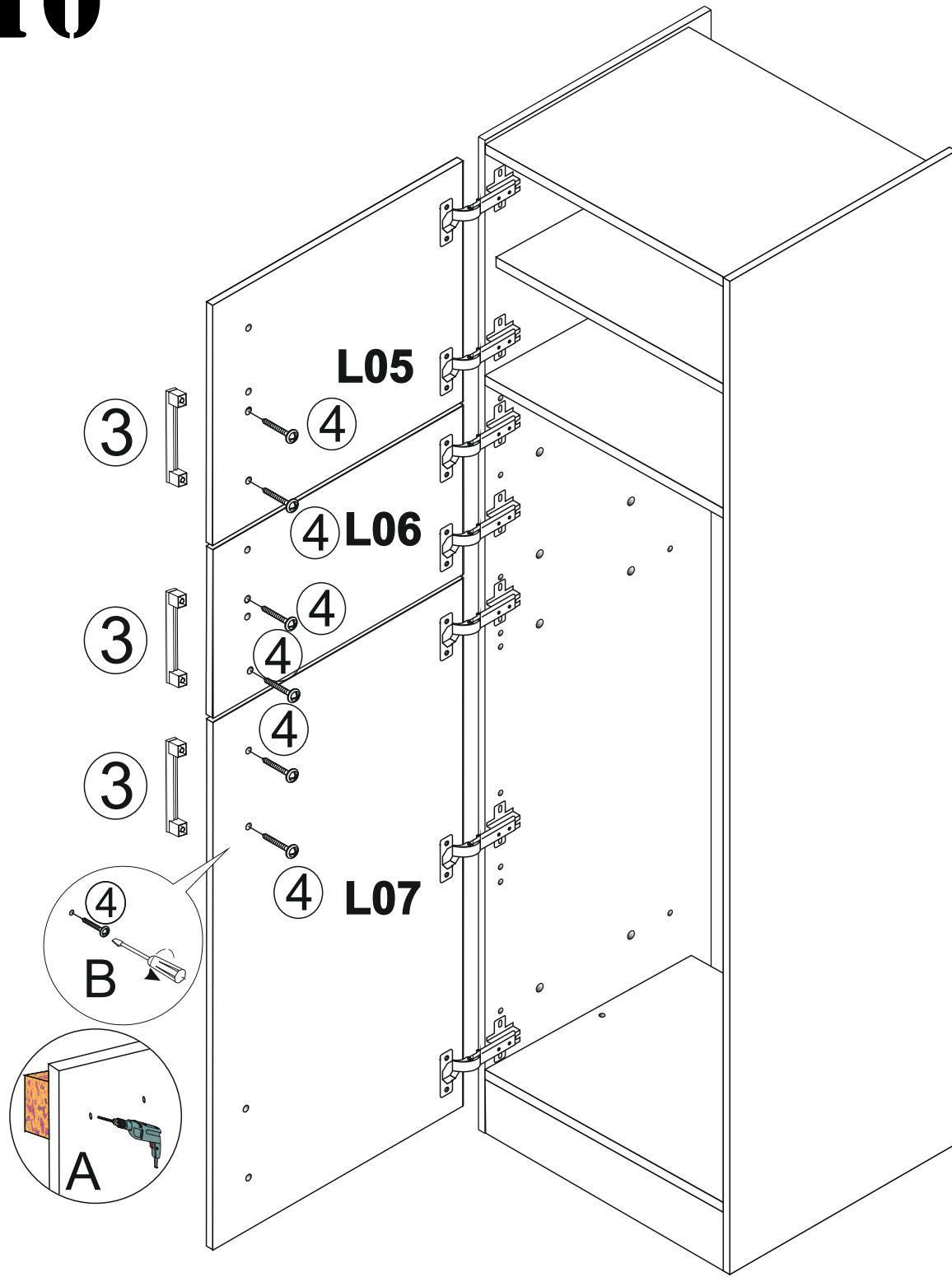


8



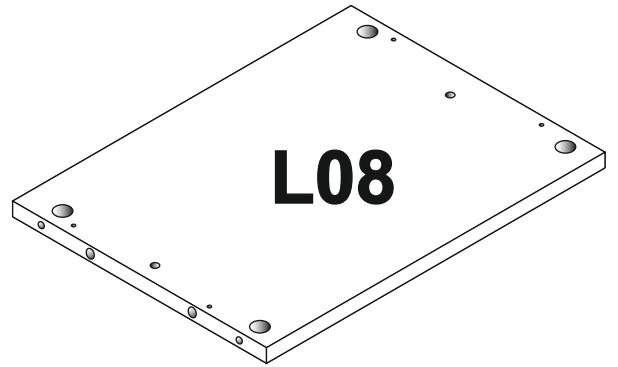
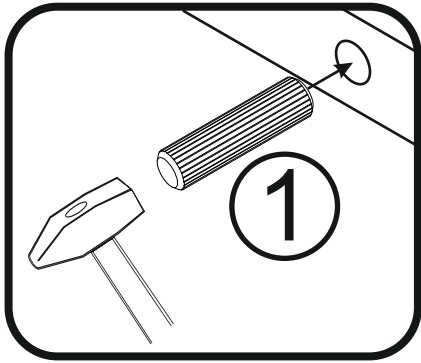
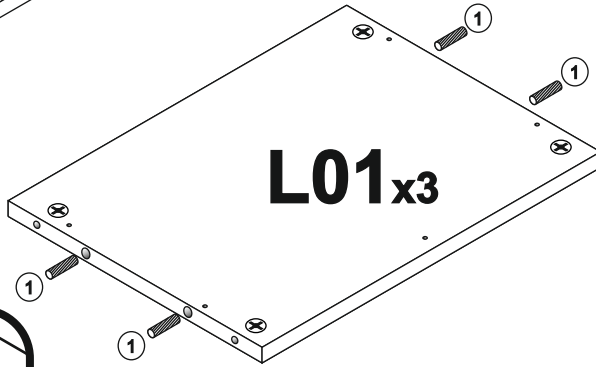
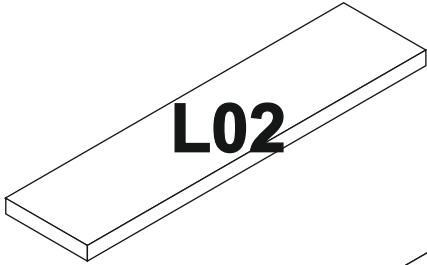
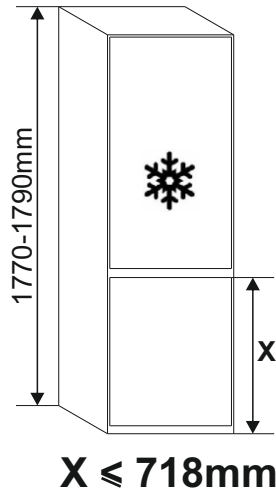
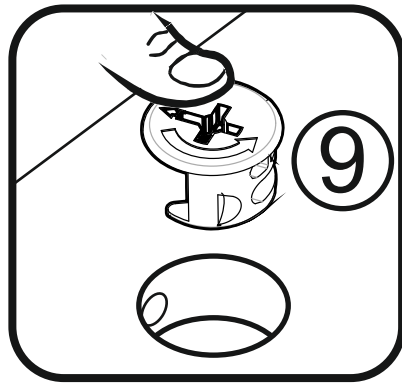


L10 567x500mm

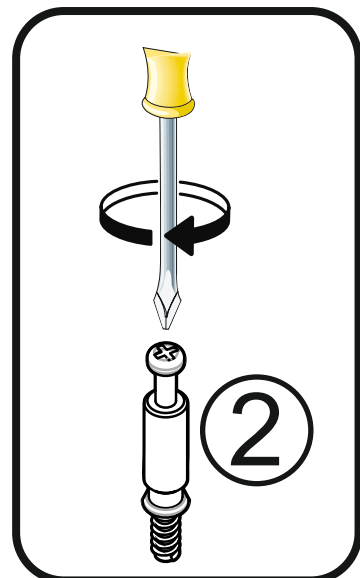
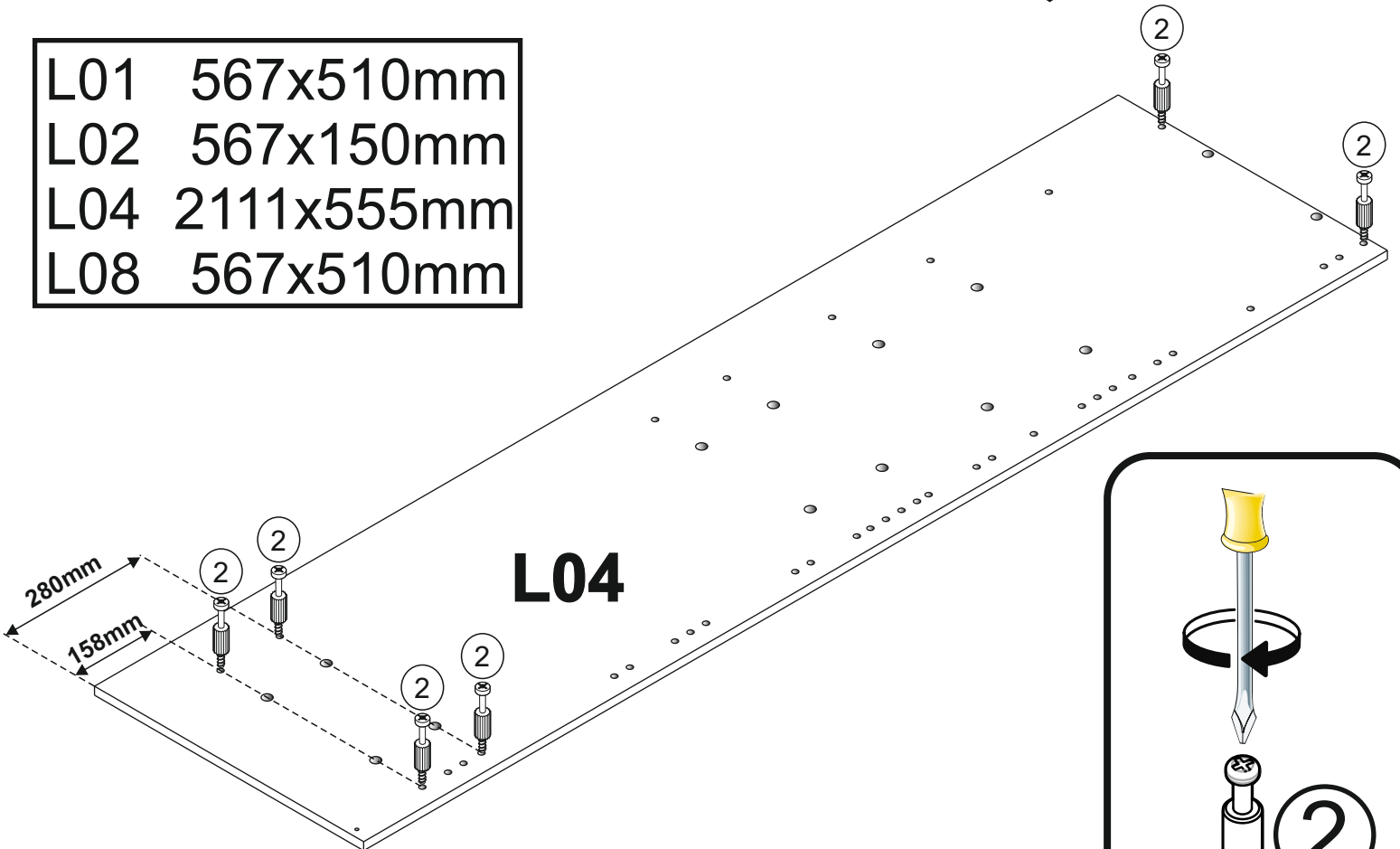


# 1

**OPTION 5**

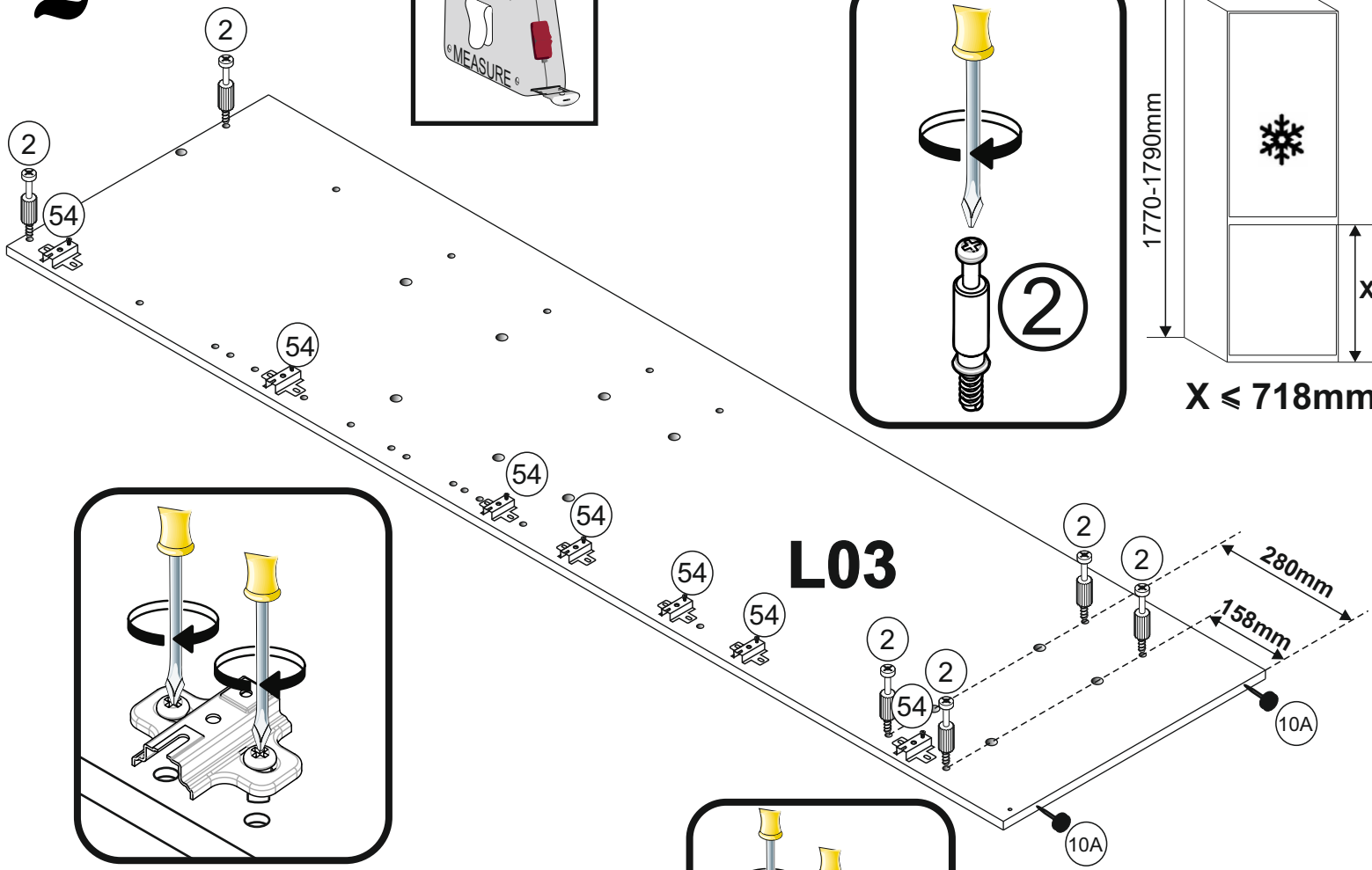
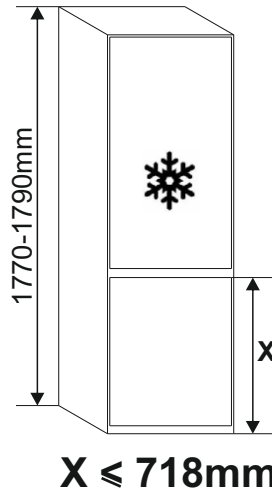
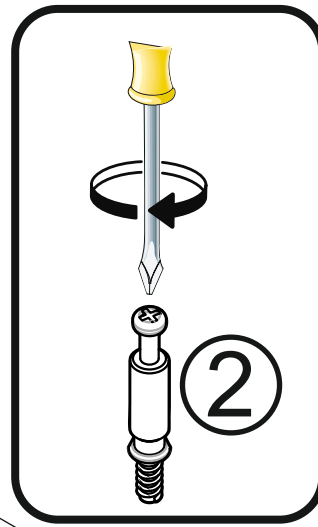
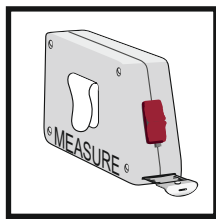


L01	567x510mm
L02	567x150mm
L04	2111x555mm
L08	567x510mm

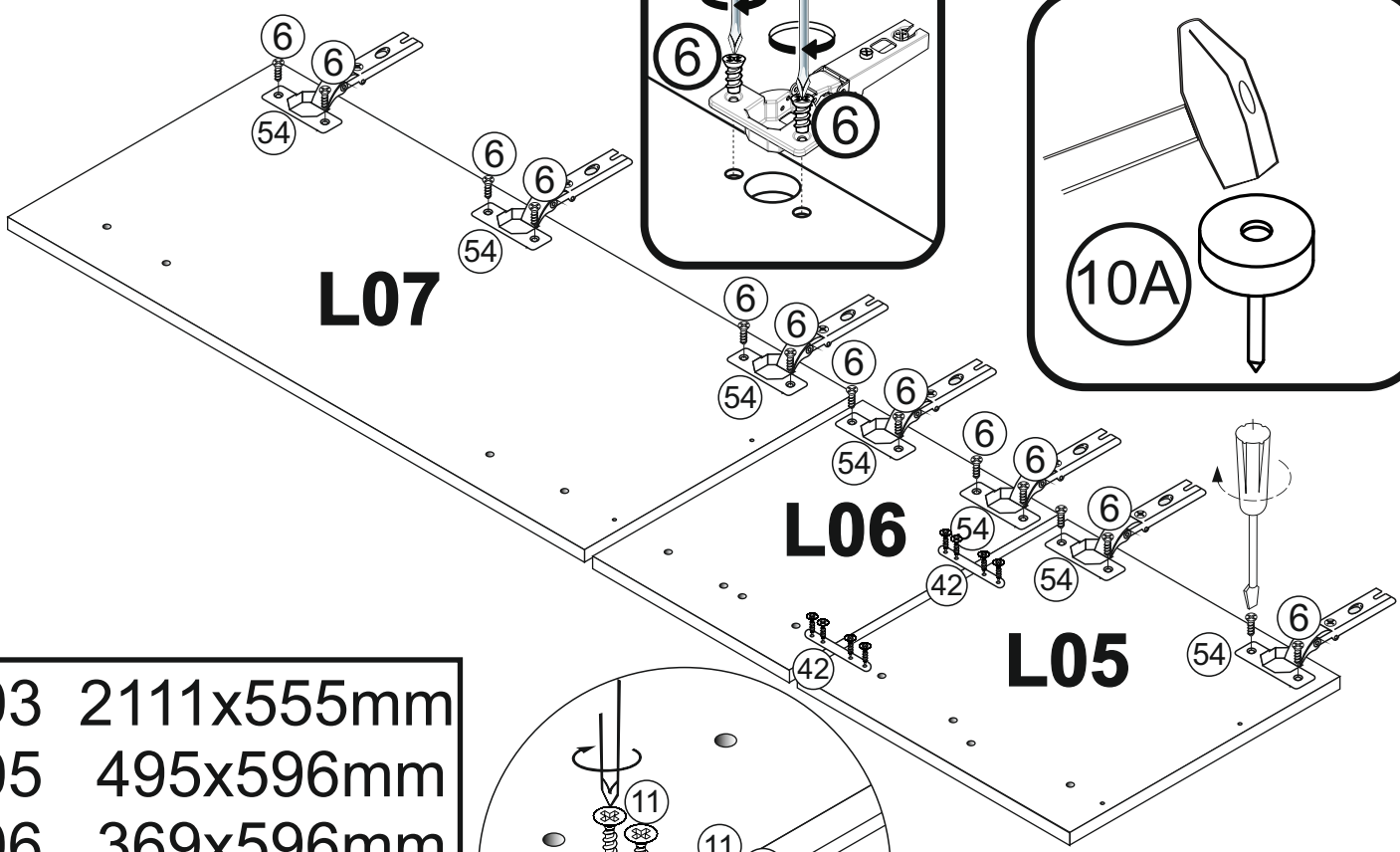
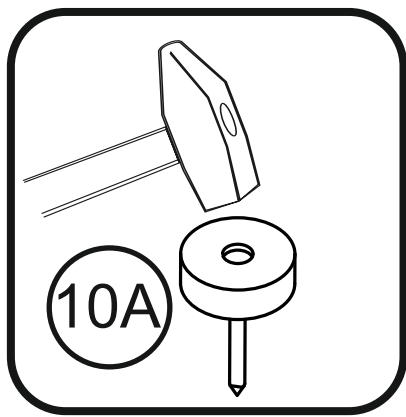
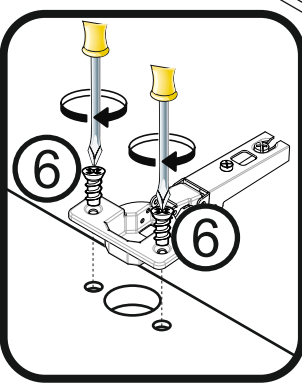
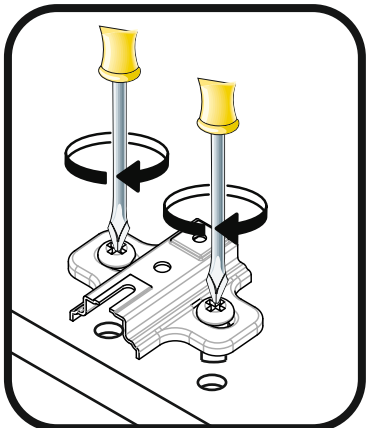


# 2

### OPTION 5



## L03

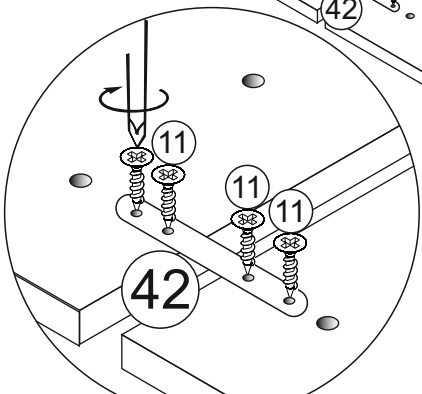


## L07

## L06

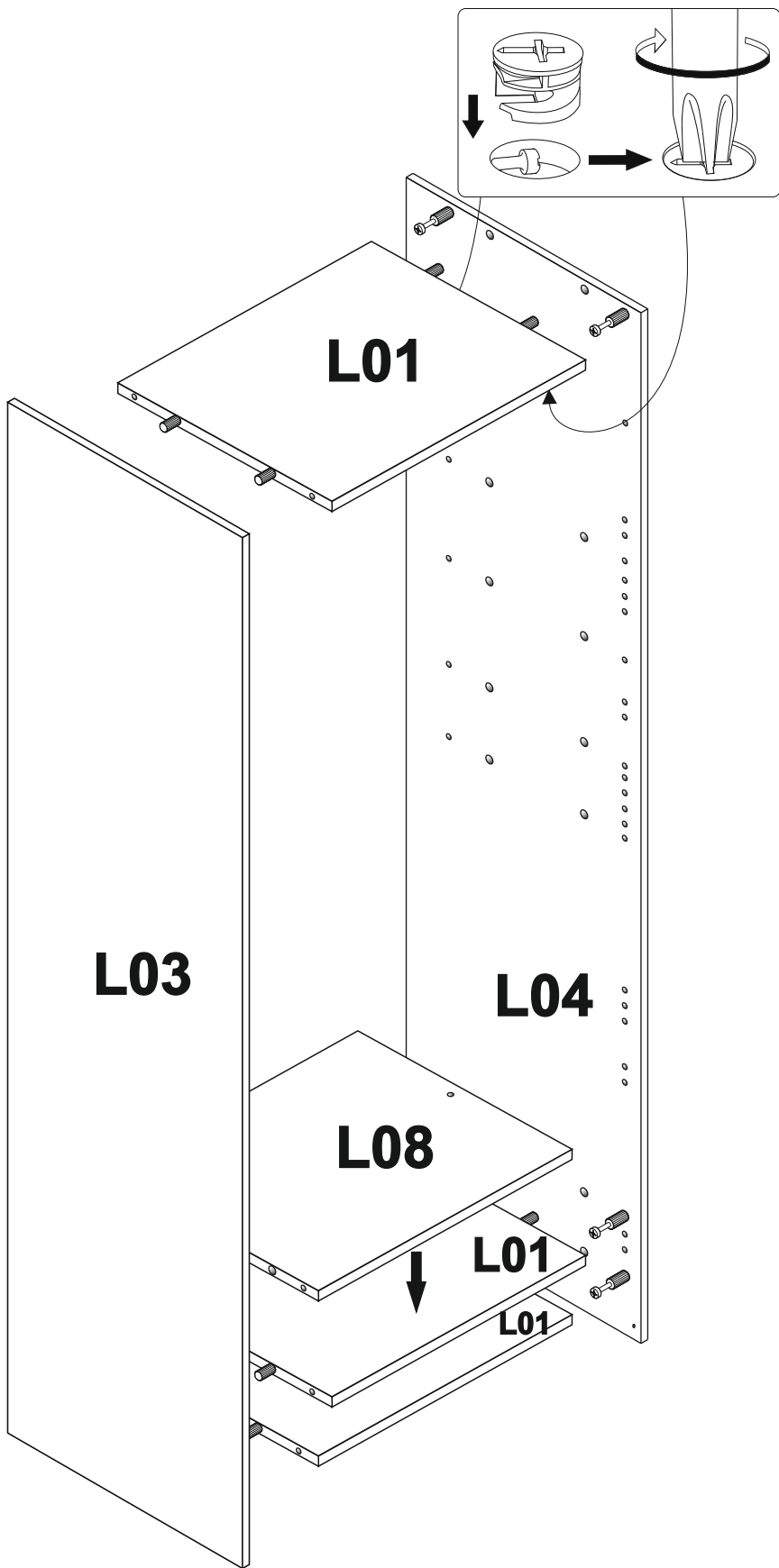
## L05

L03	2111x555mm
L05	495x596mm
L06	369x596mm
L07	1086x596mm

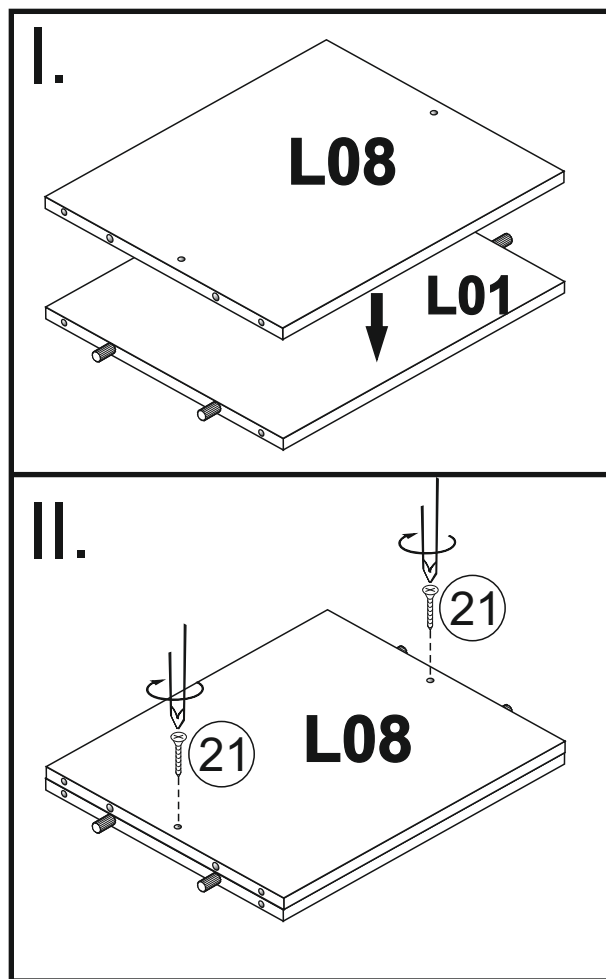
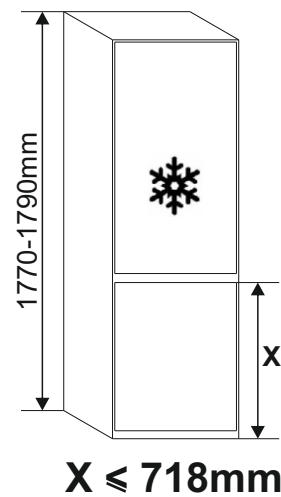




# 3



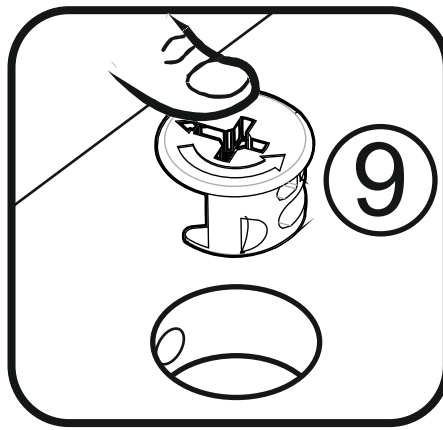
## OPTION 5



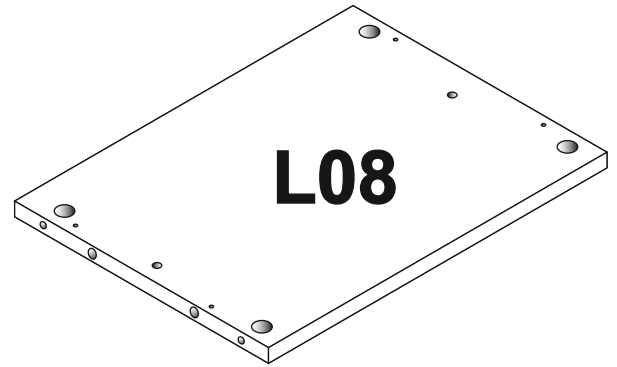
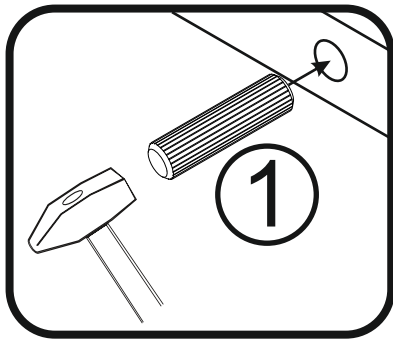
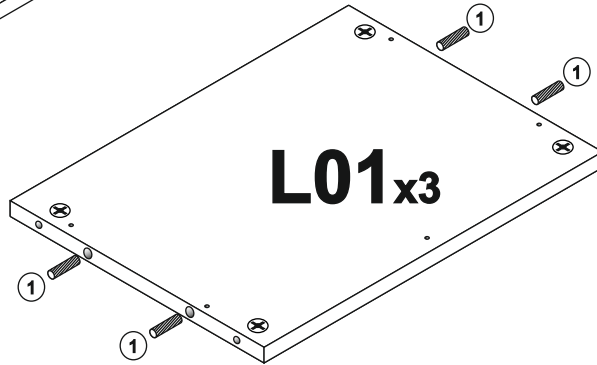
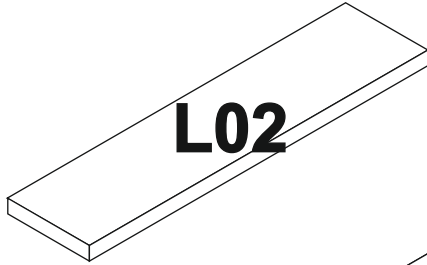
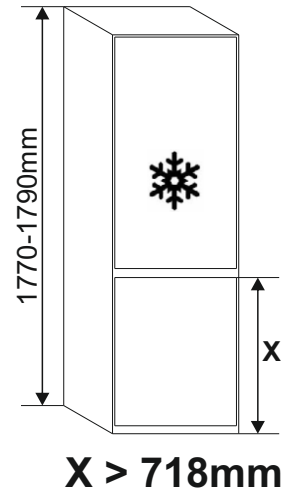




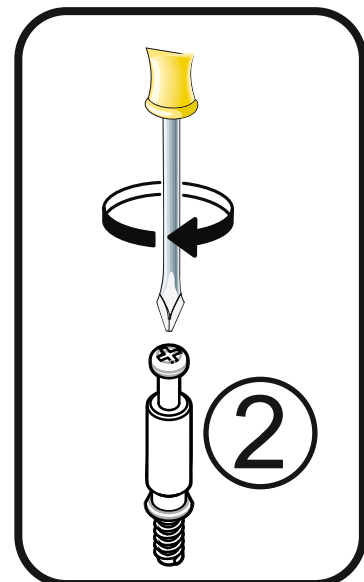
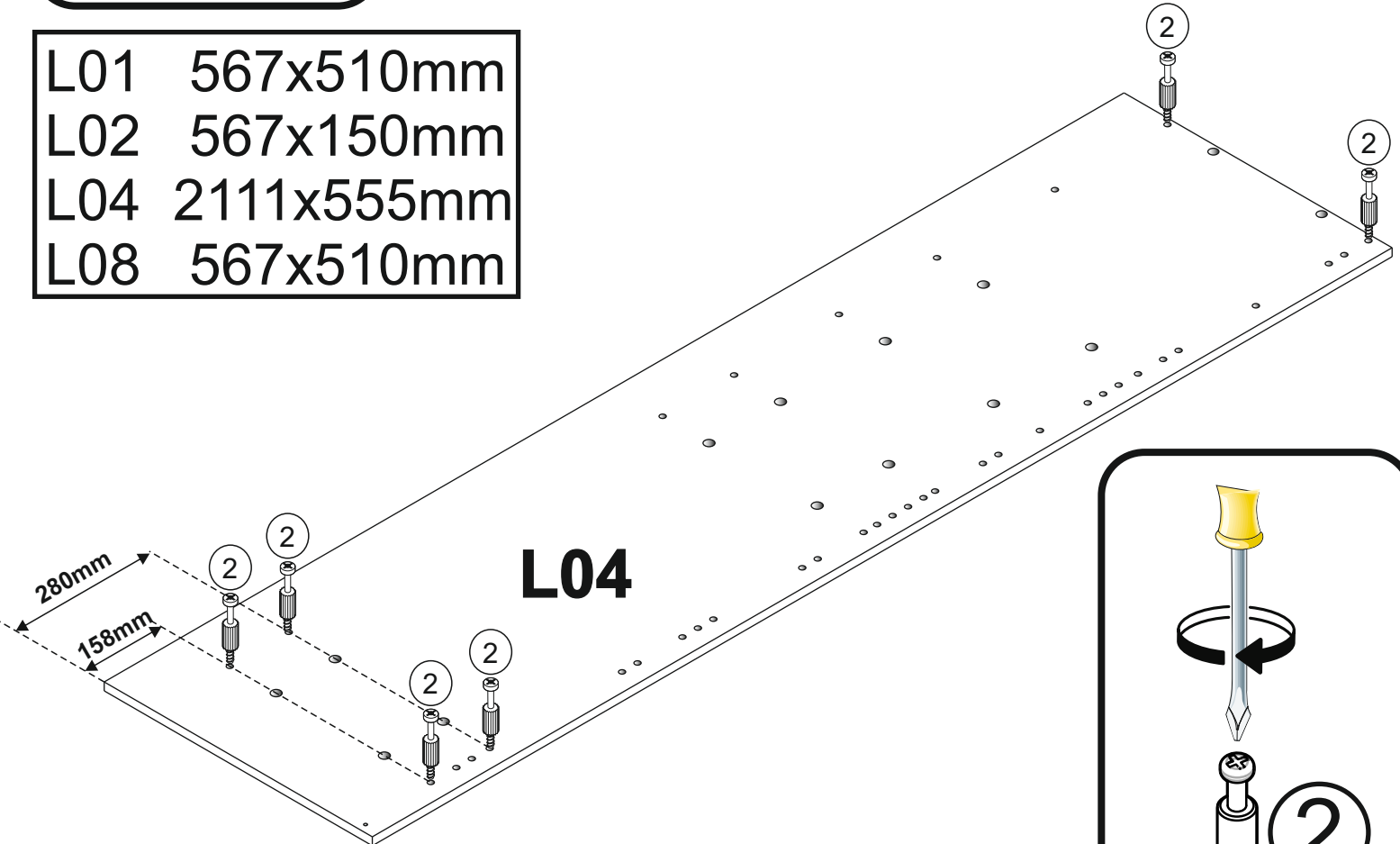
# 1



**OPTION 6**

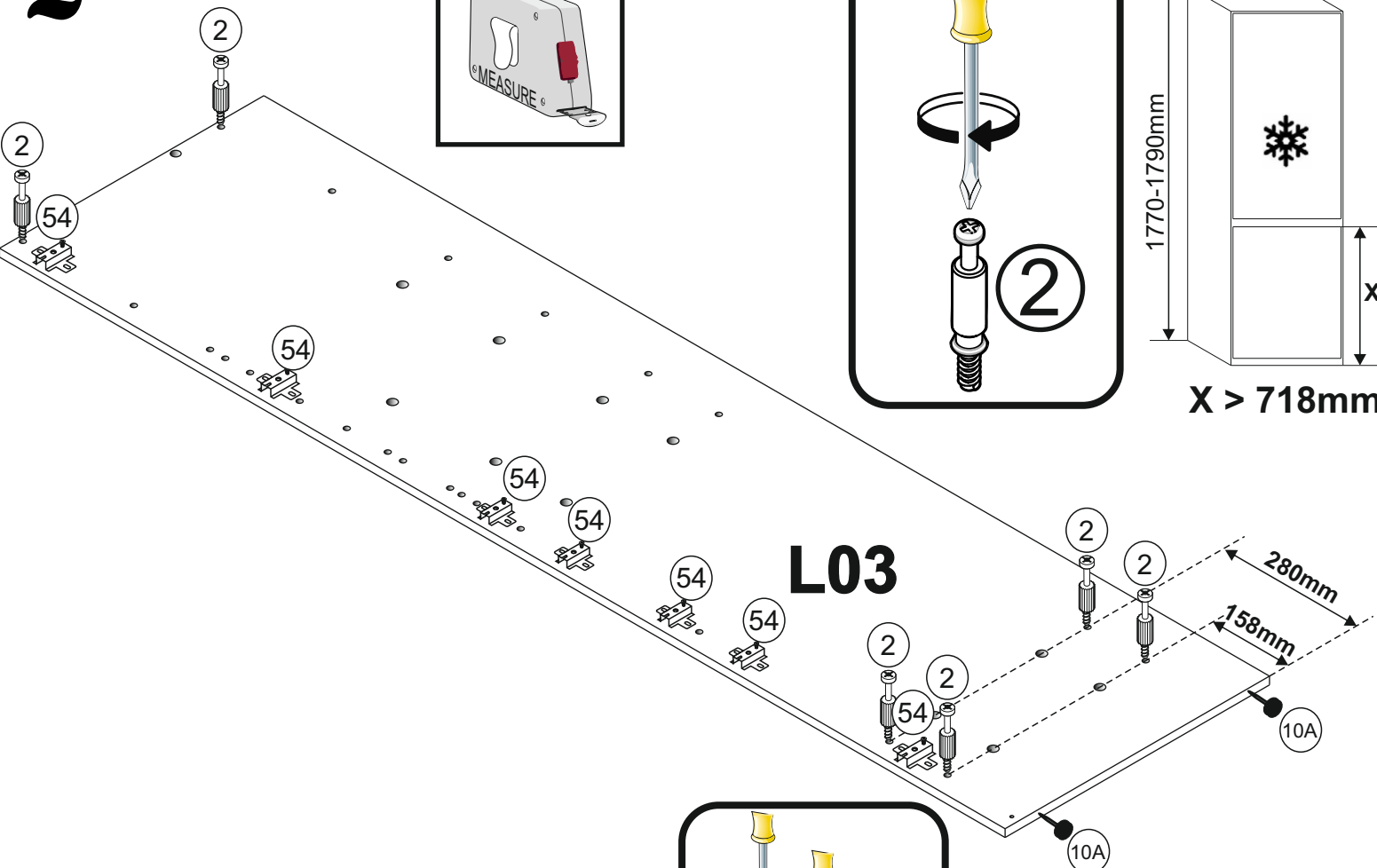
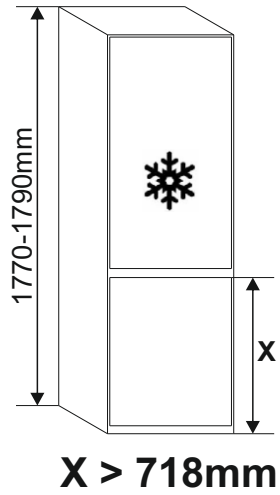
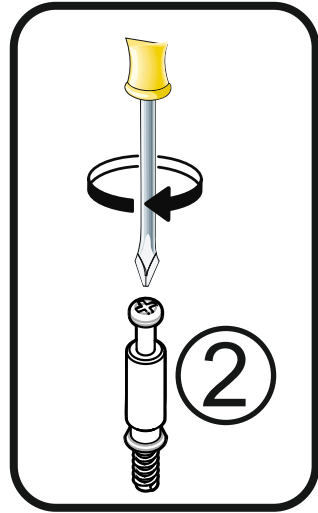
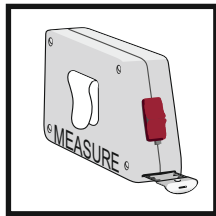


L01	567x510mm
L02	567x150mm
L04	2111x555mm
L08	567x510mm

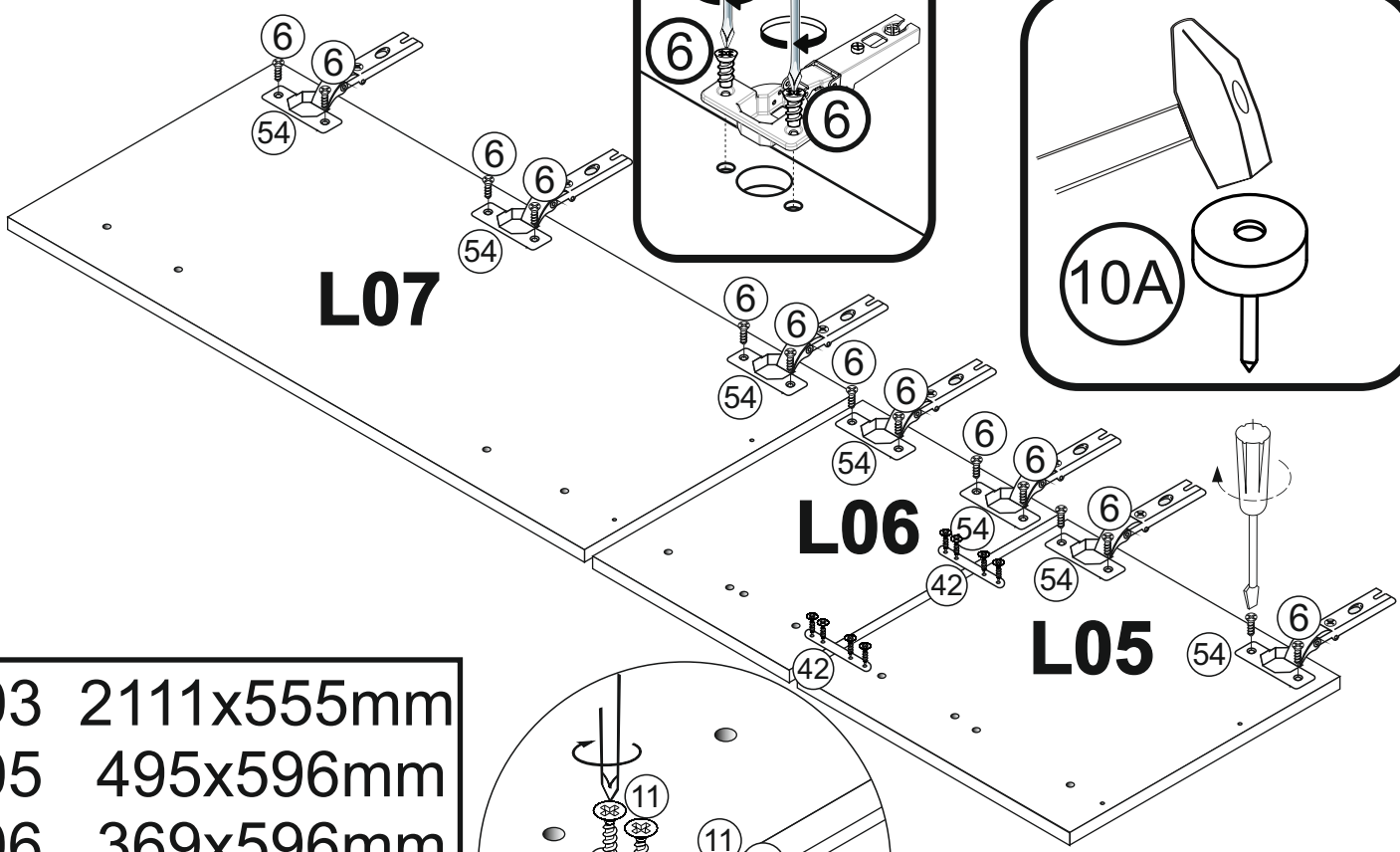
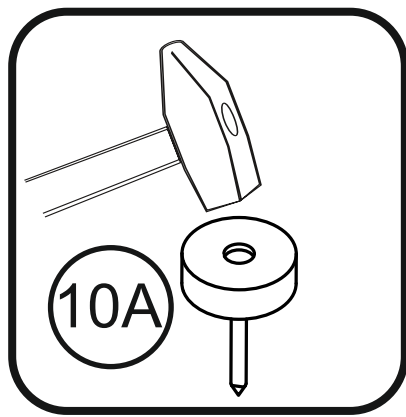
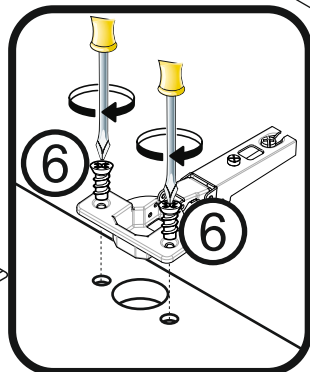


# 2

## OPTION 6



### L03

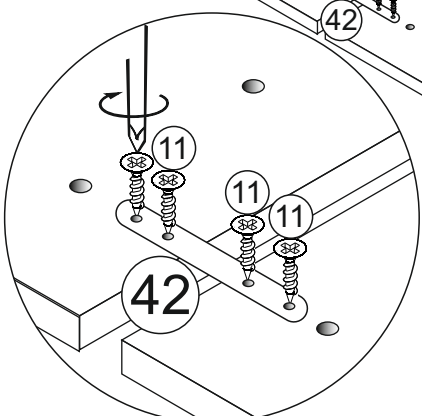


### L07

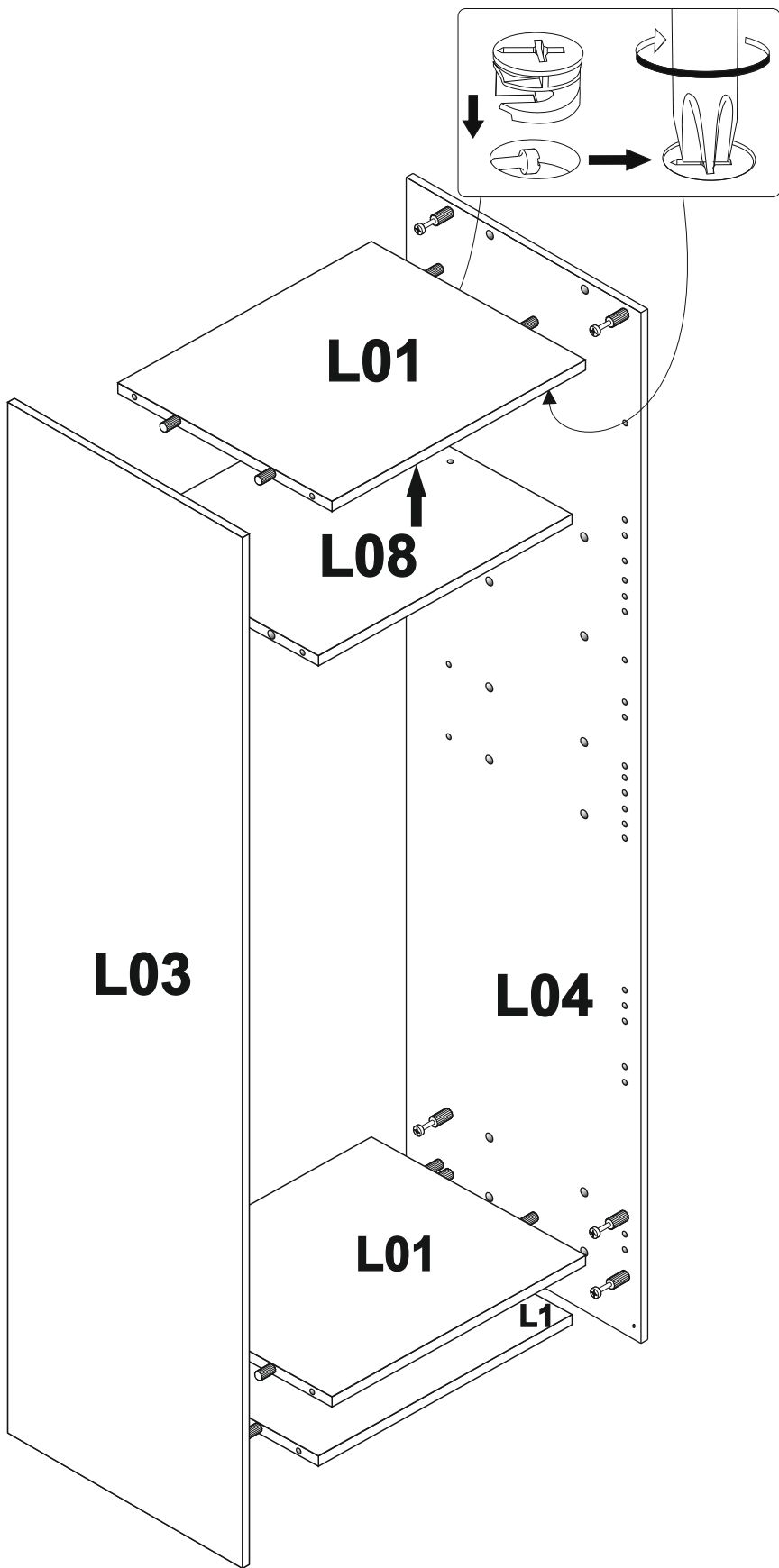
### L06

### L05

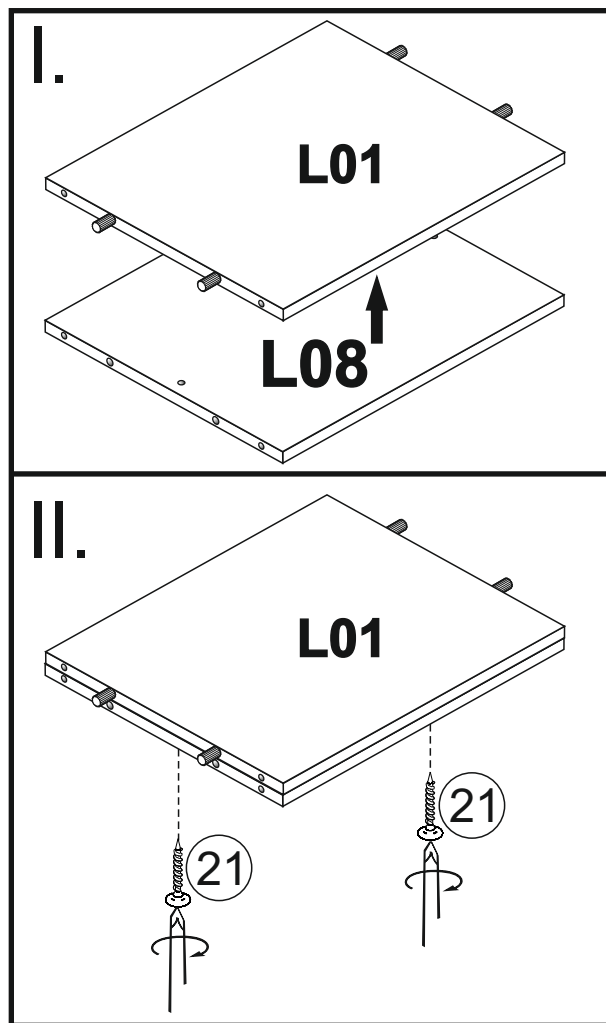
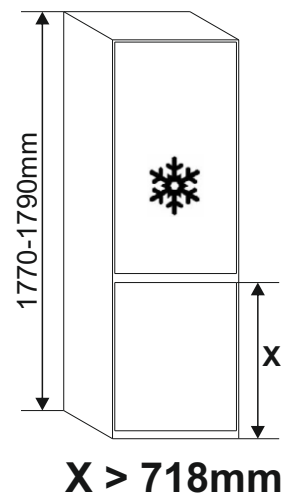
L03	2111x555mm
L05	495x596mm
L06	369x596mm
L07	1086x596mm



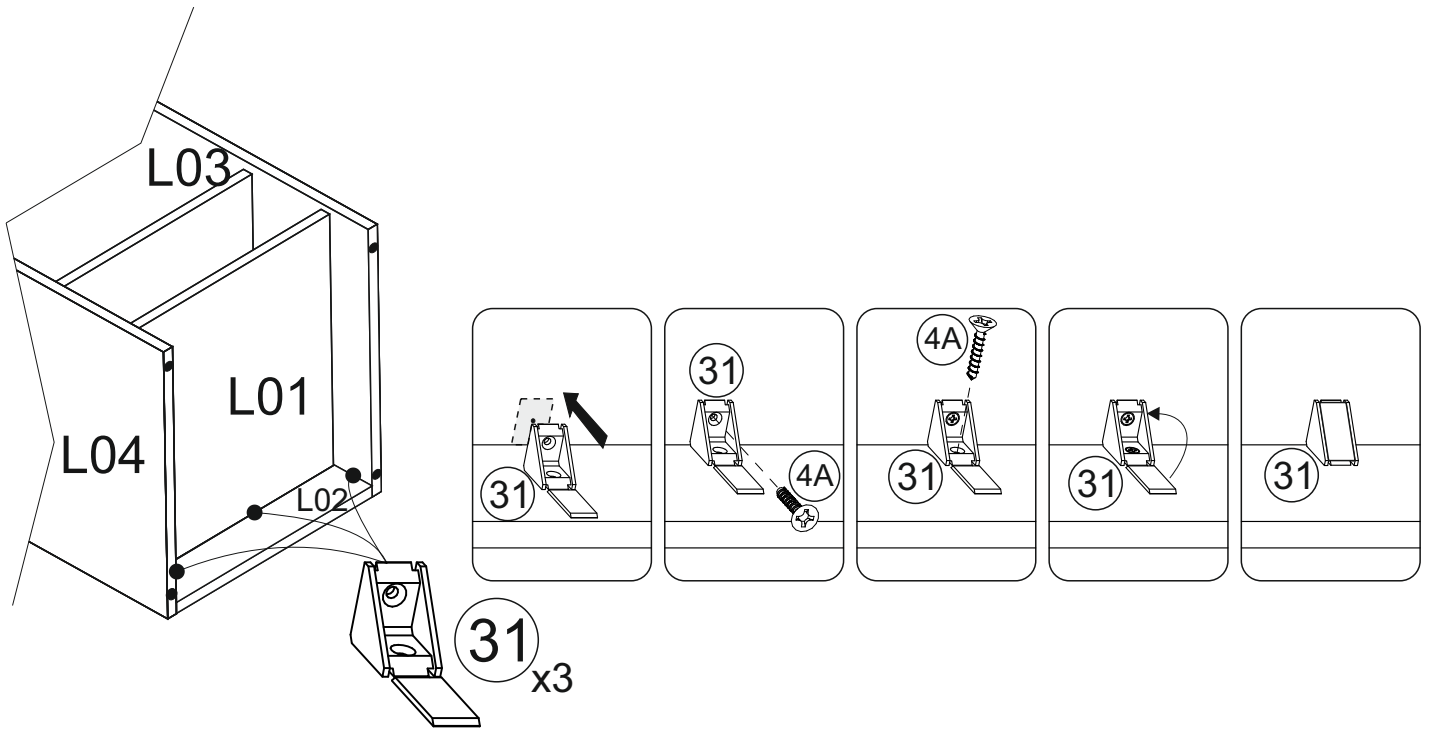
# 3



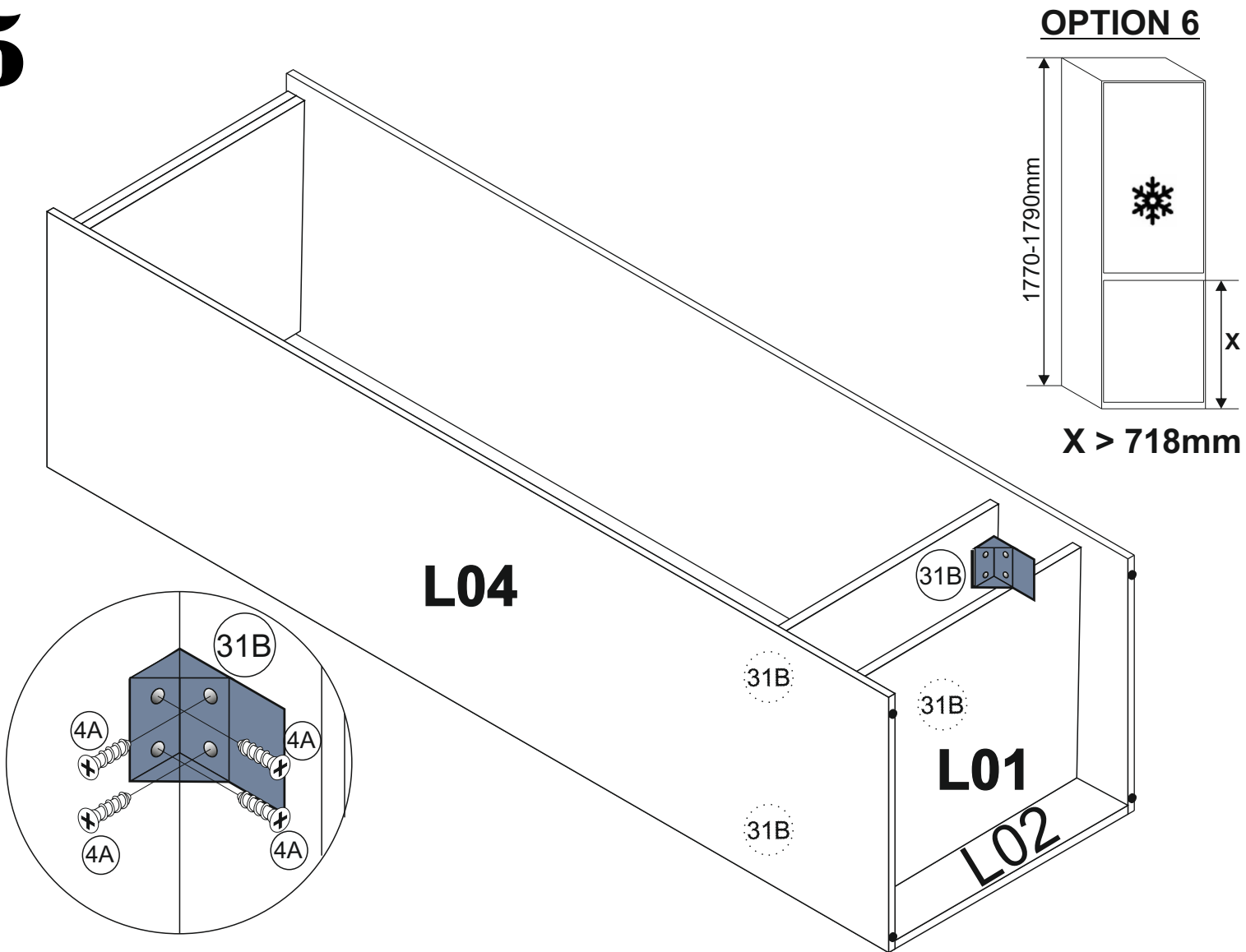
## OPTION 6



4



5



# 6

## OPTION 6

