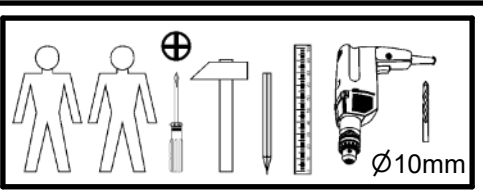
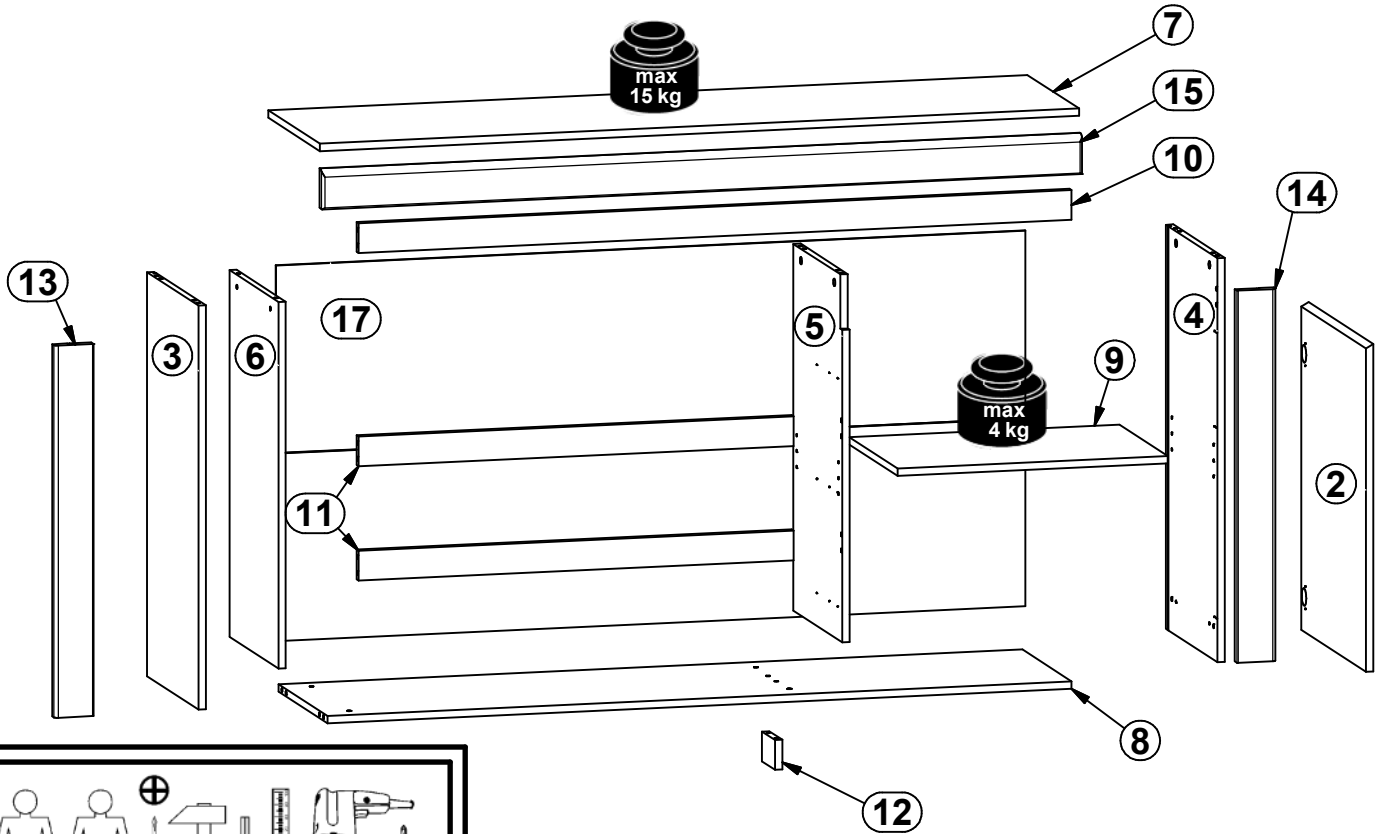
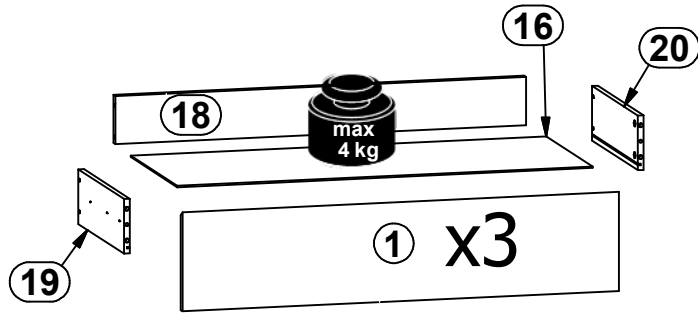
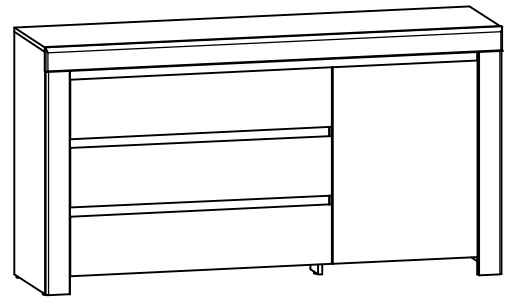
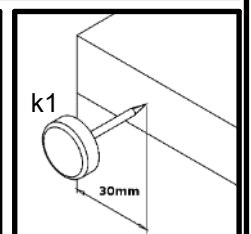
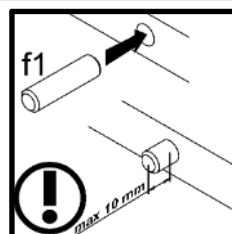
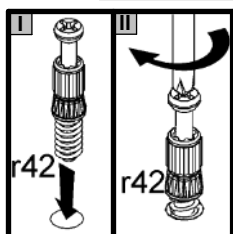
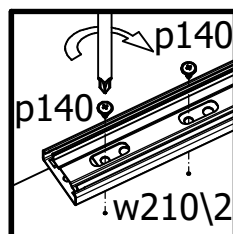
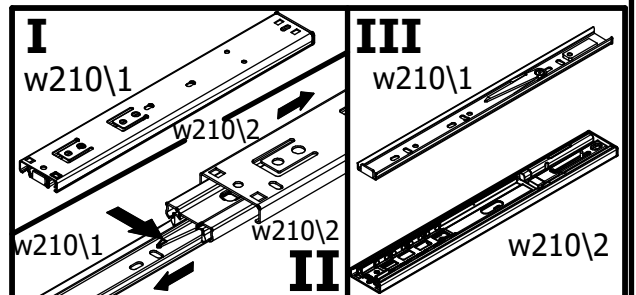
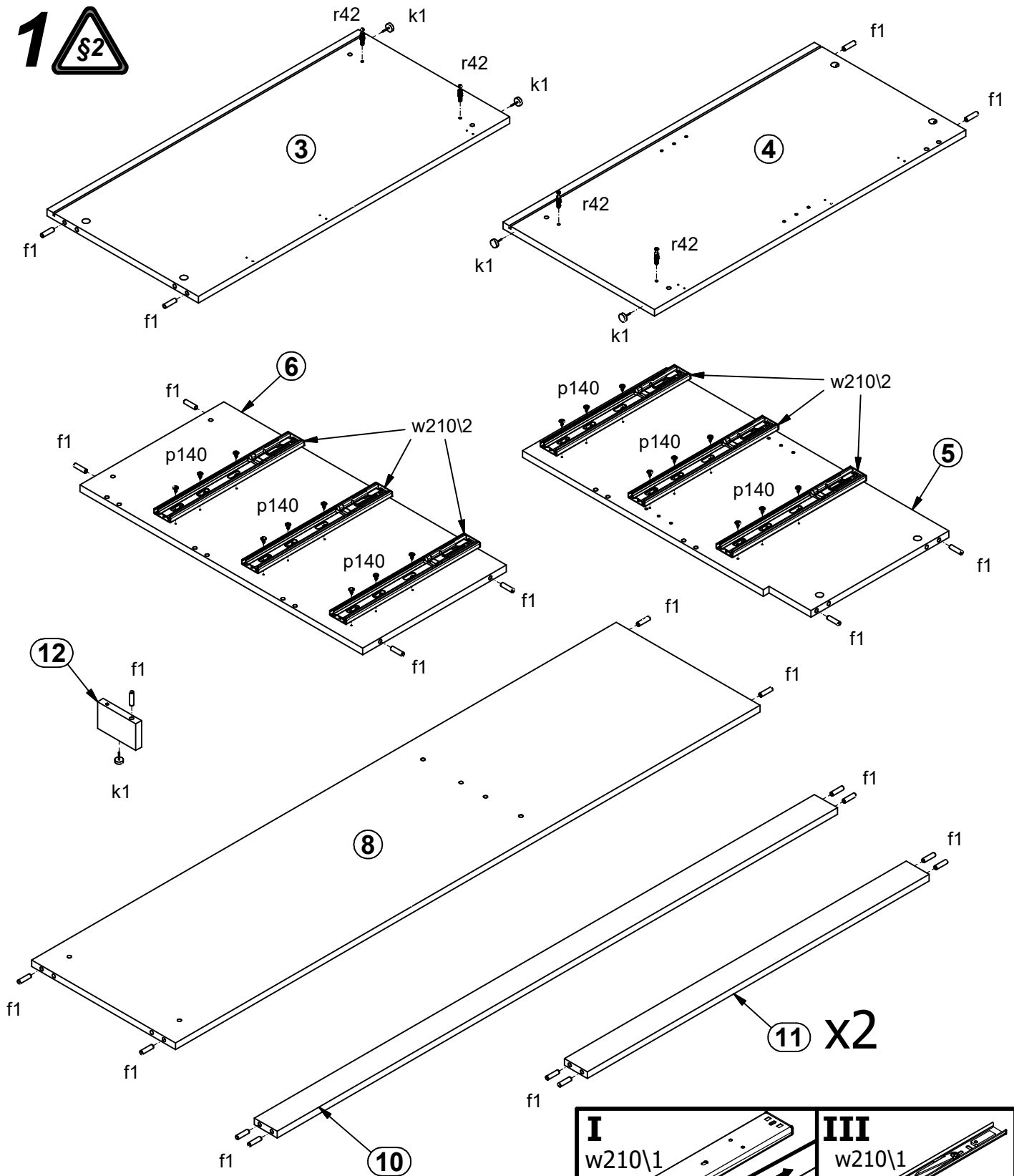


A	B	C	D	
1	S440-0014	896	200	2/2
2	S440-0015	660	496	2/2
3	S440-1027	814	396	1/2
4	S440-1028	814	396	1/2
5	S440-1029	739	376	1/2
6	S440-1030	739	376	1/2
7	S440-2007	1560	396	2/2
8	S440-3018	1529	376	2/2
9	S440-3019	555	370	1/2
10	S440-4023	1465	60	2/2
11	S440-4024	894	60	2/2
12	S440-5015	100	60	2/2
13	S440-5033	750	80	1/2
14	S440-5034	750	80	1/2
15	S440-5035	1562	80	2/2
16	S440-9010	854	357	1/2
17	S440-9305	1540	757	2/2
18	ZK3-5064	844	97	2/2
19	ZK4-523	350	110	1/2
20	ZK4-524	350	110	1/2

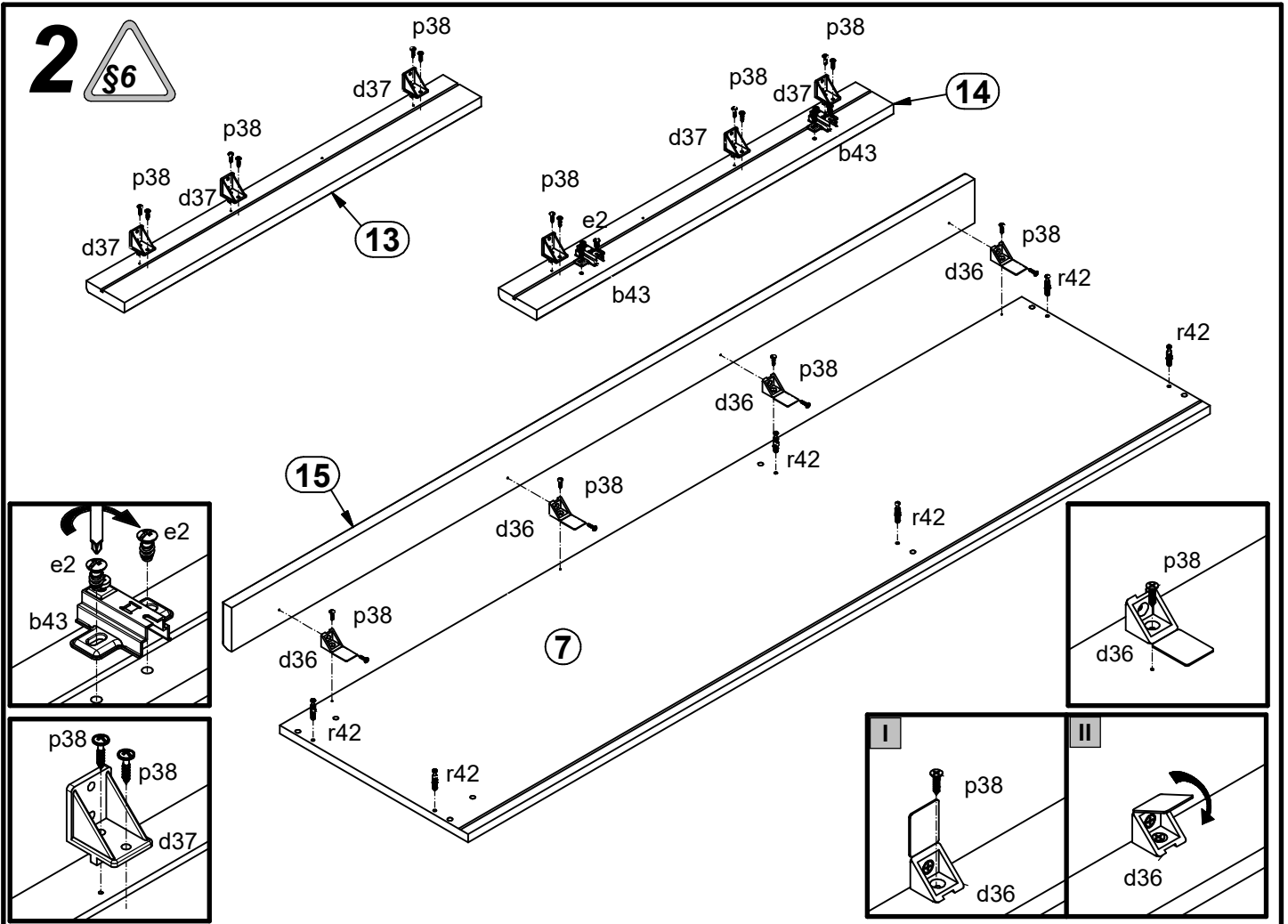


2x a132	1x a133	2x b43	4x Ø5x17 mm d1	4x d36	6x d37	3x Ø7x50 mm e1	4x Ø6.3x13 mm e2	27x Ø8x30 mm f1
12x Ø6.5x40 mm f25	6x Ø6x30 mm f9	5x k1	25x 1.4x20 mm l1	8x l2	36x Ø3.5x12 mm p140	3x Ø3.5x16 mm p25	3x Ø3.5x10 mm p35	50x Ø3.5x16 mm p38
4x Ø3.5x15 mm p51	10x Ø15x12 mm #16 r1	12x Ø12x10.5 mm #12 r15	22x 20/11 r42	3x 350 mm t35	6x L-350 mm w210/1	6x L-350 mm w210/2	2x 4 mm s2	1x 4 mm z1
							1x n26/1	1x Ø3.5x16 mm p38

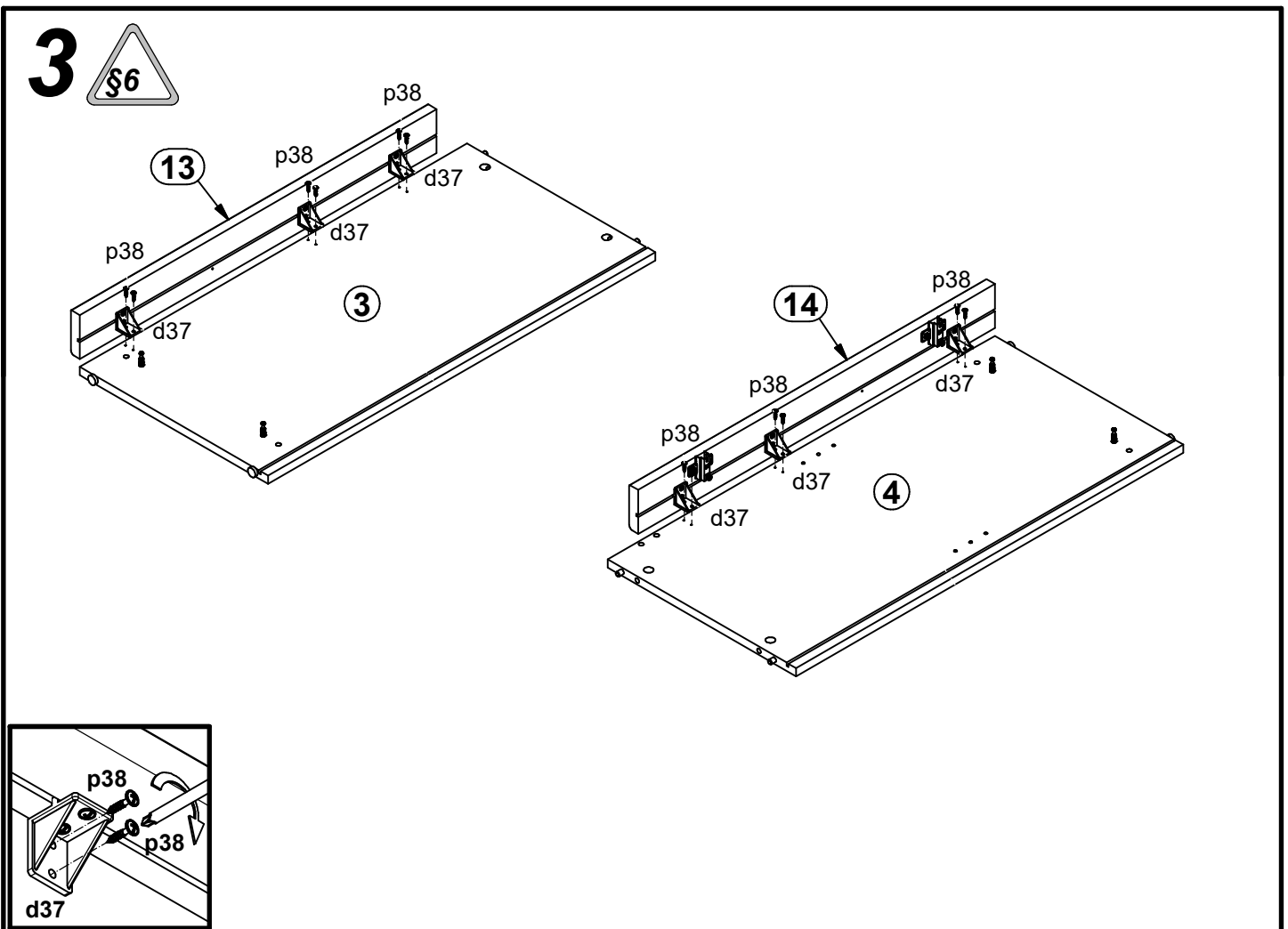
1 



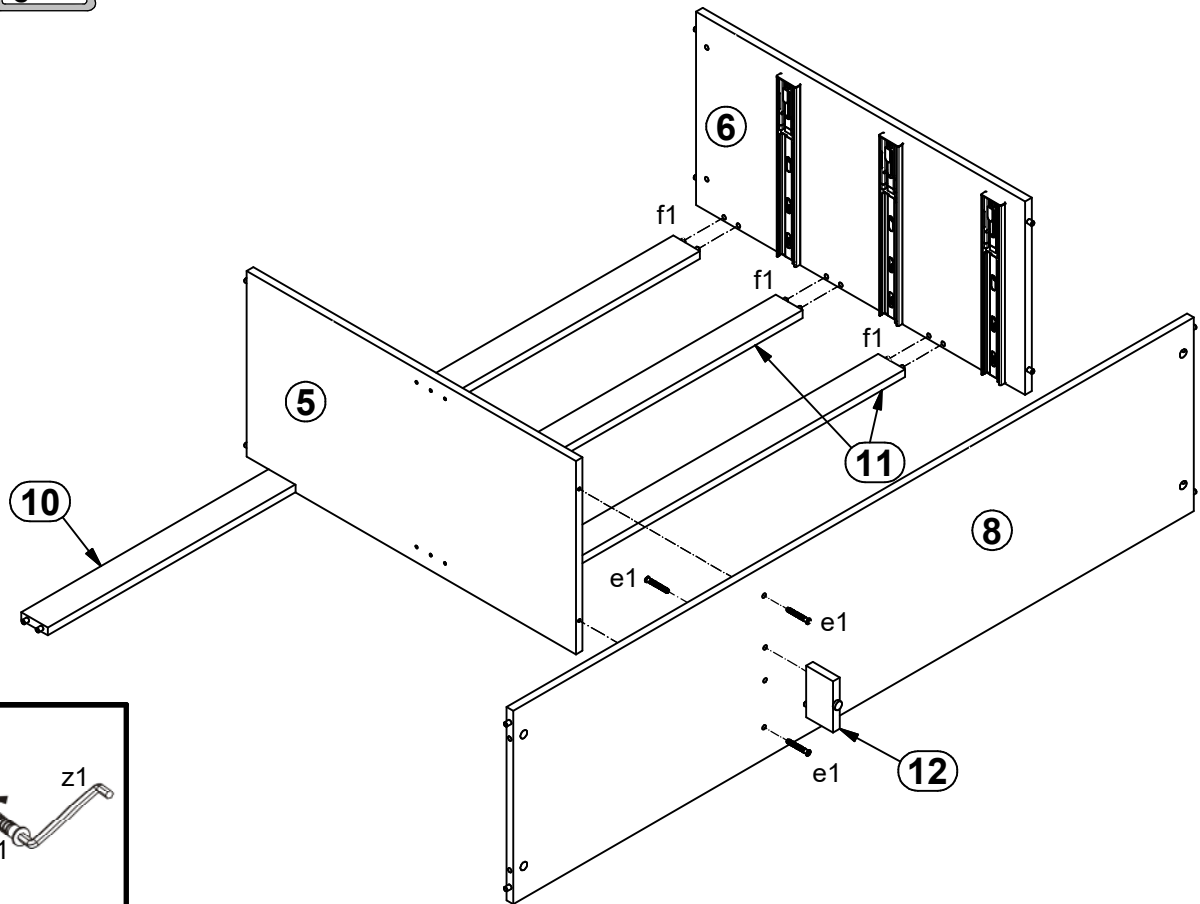
2



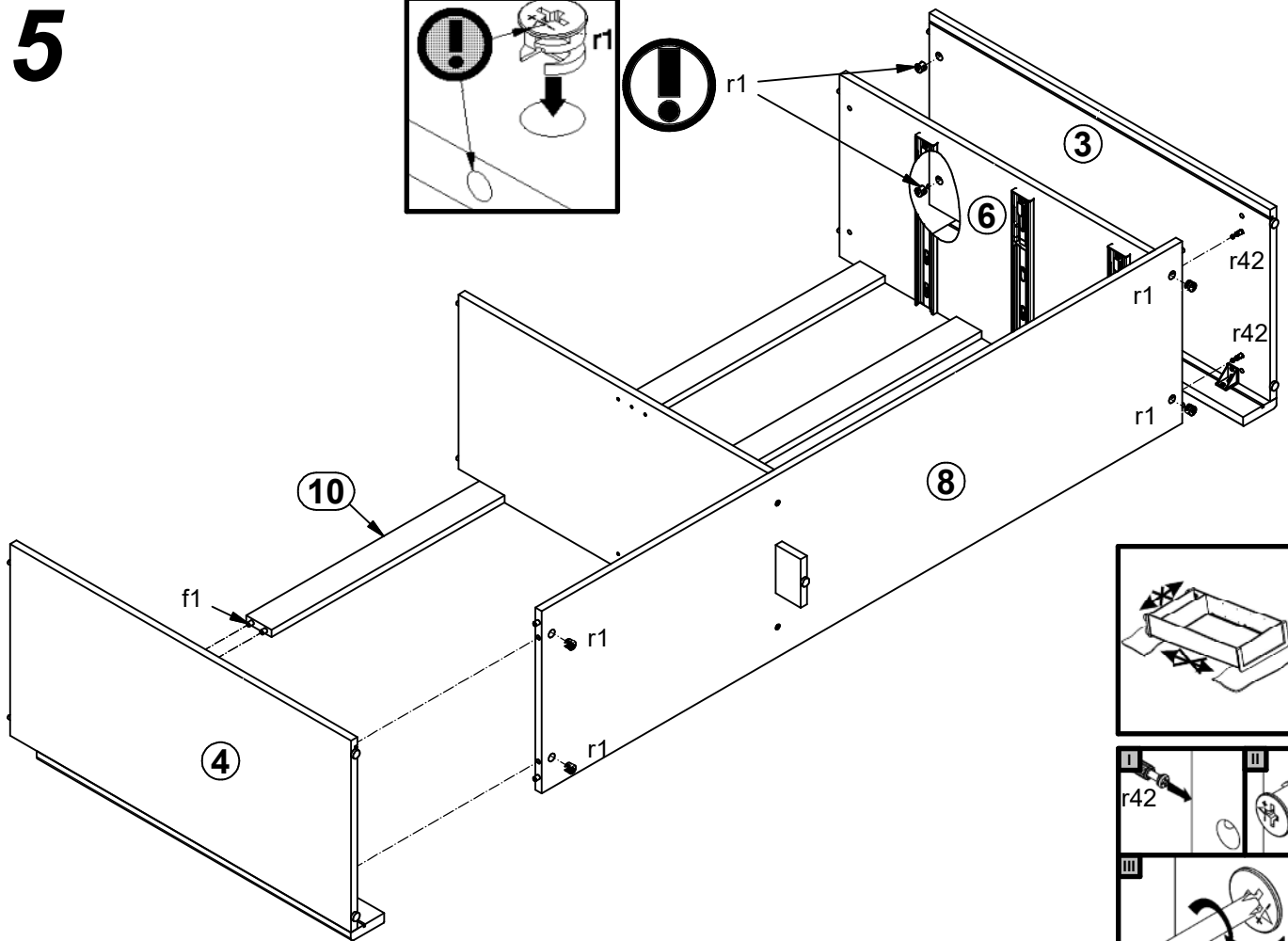
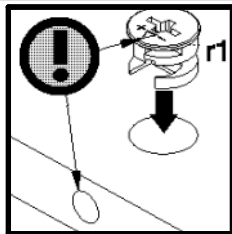
3



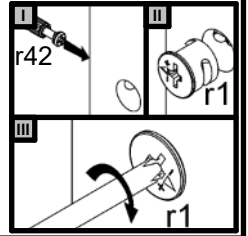
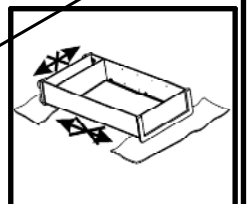
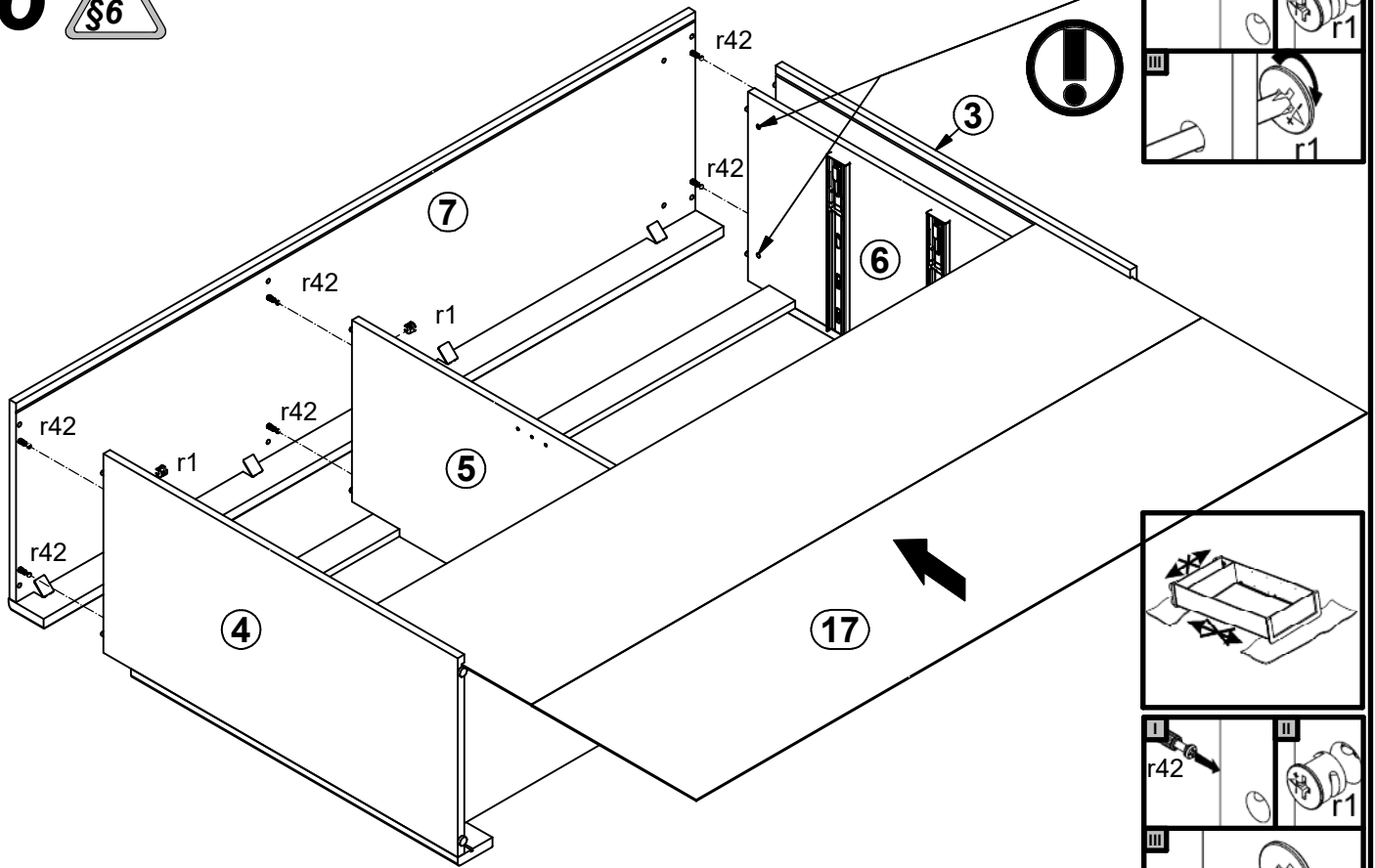
4



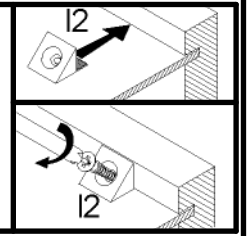
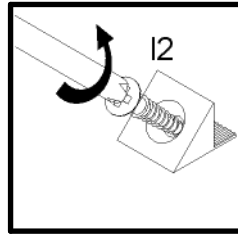
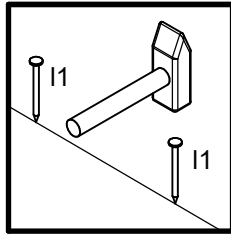
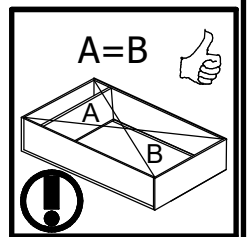
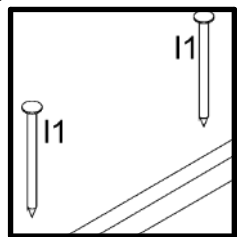
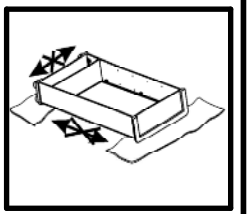
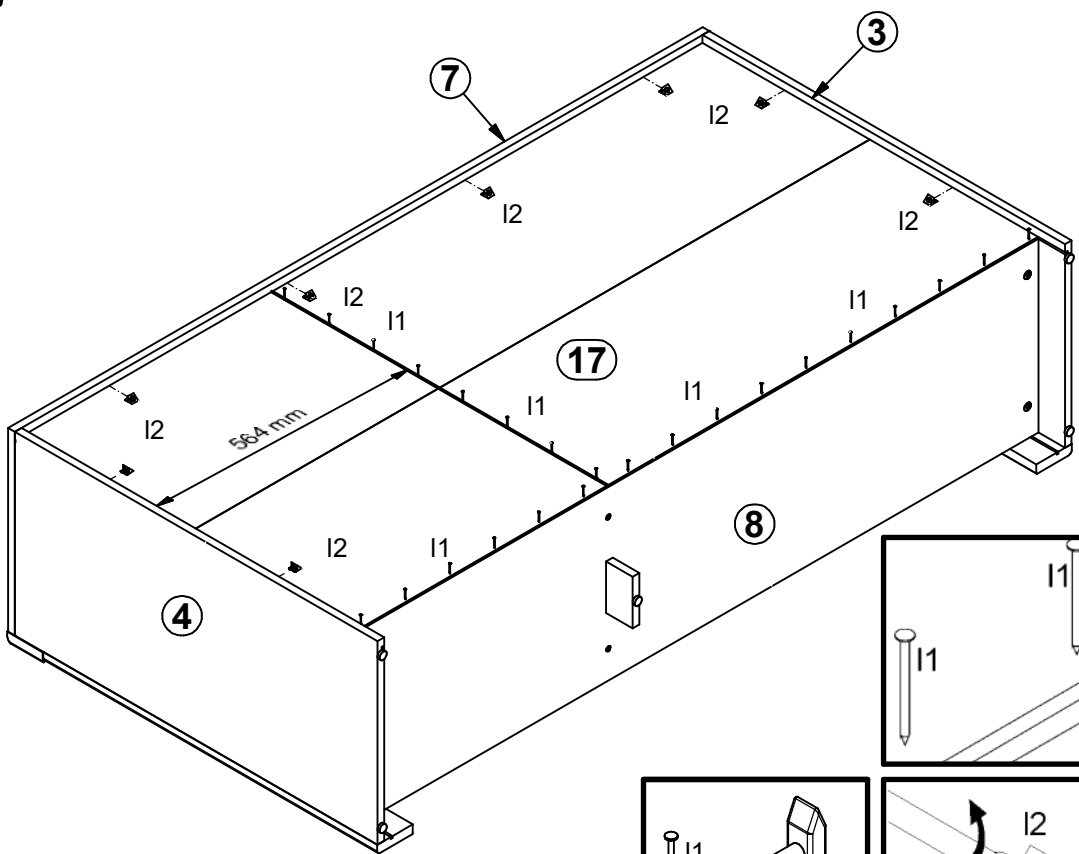
5

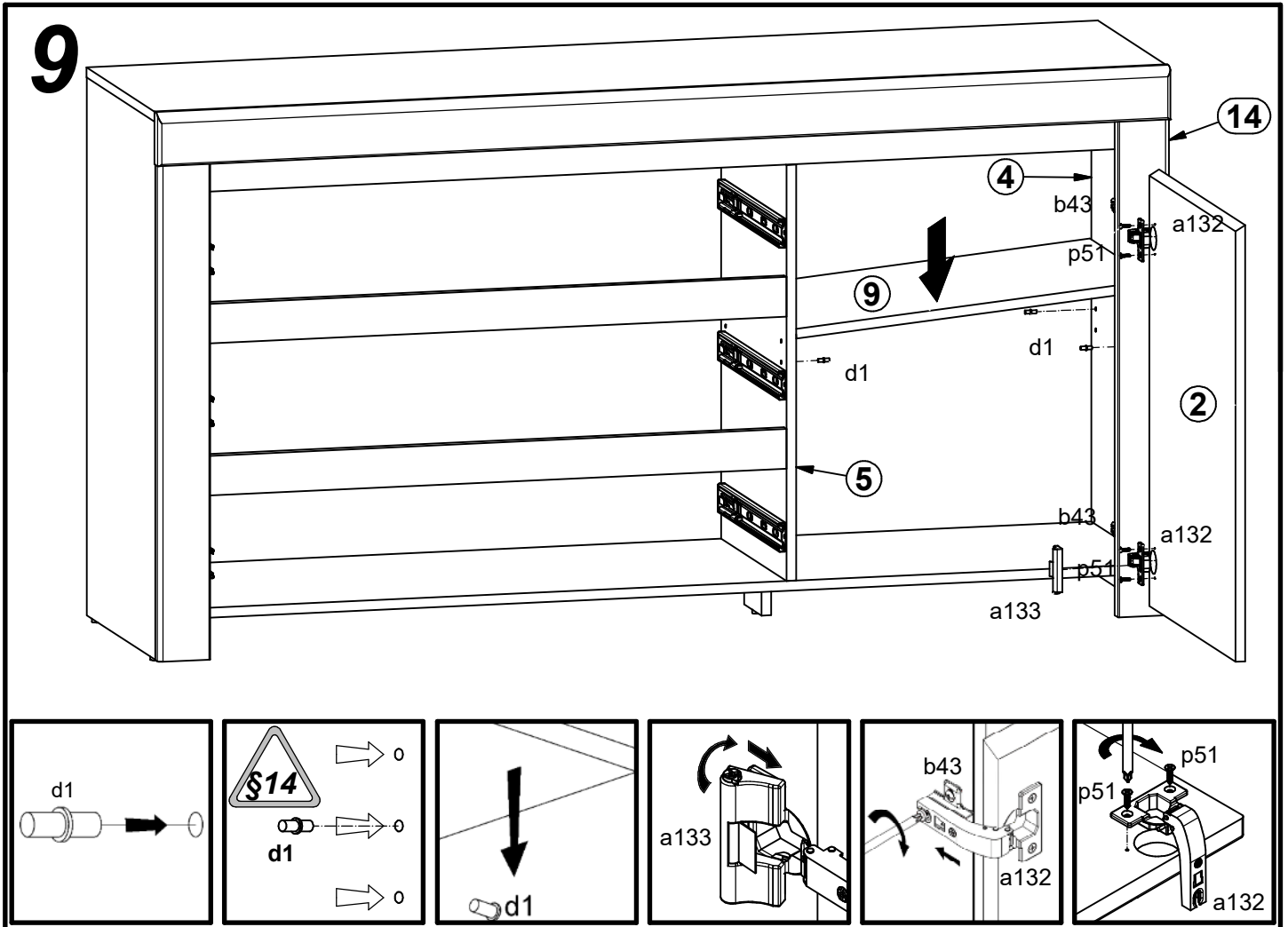
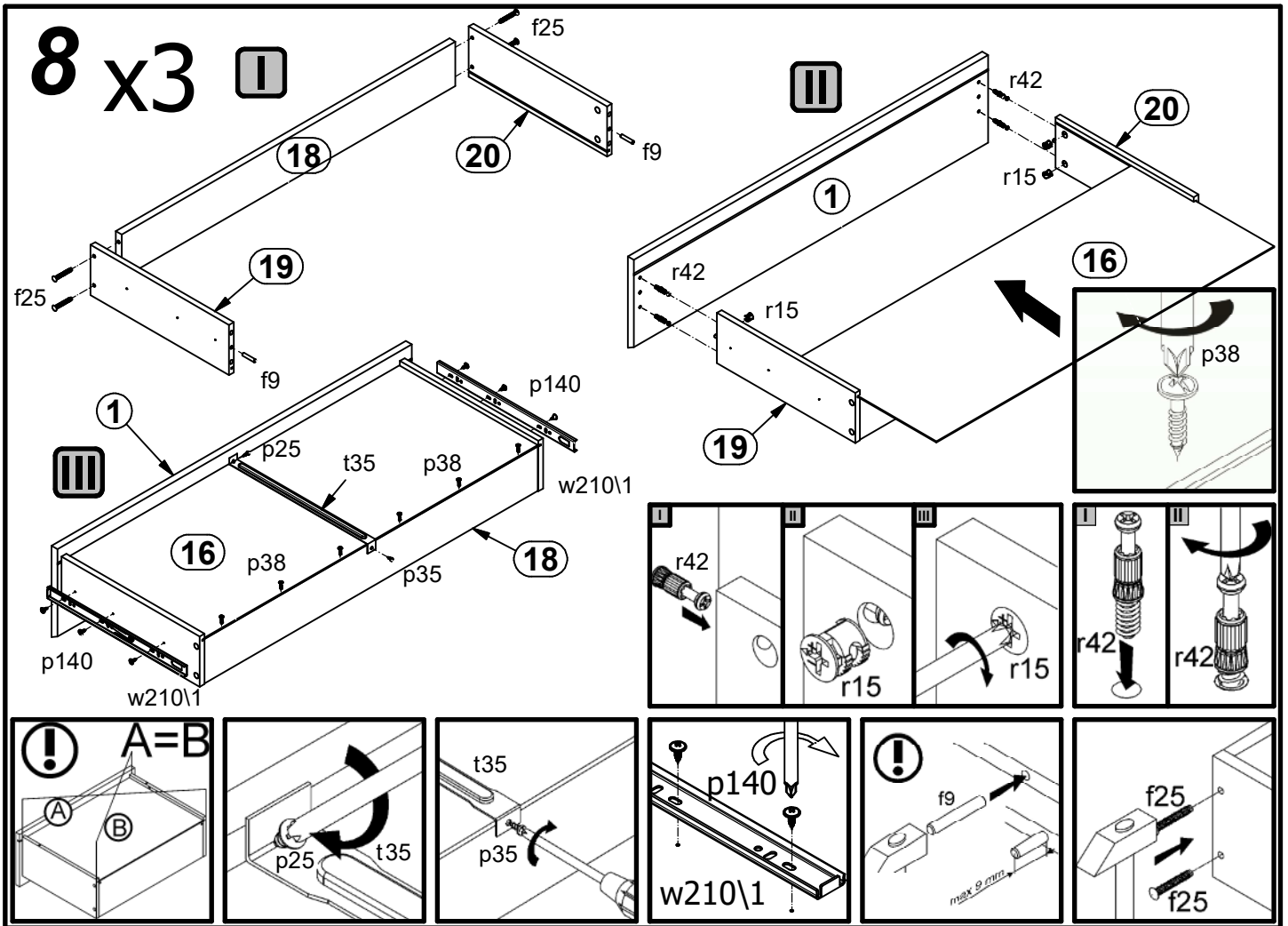


6



7





10

