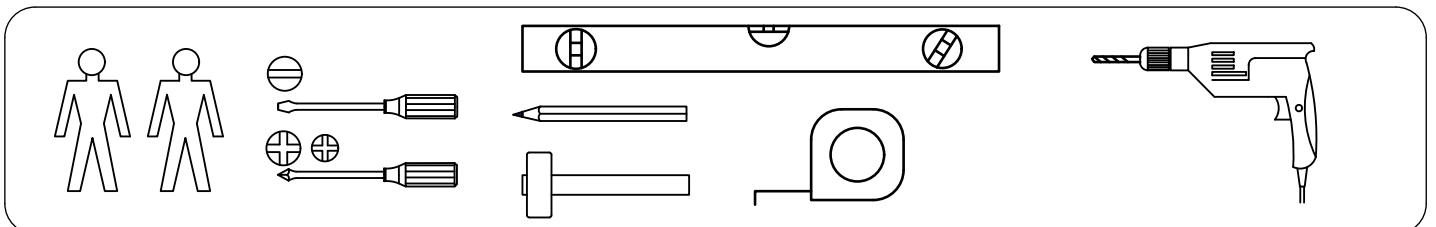
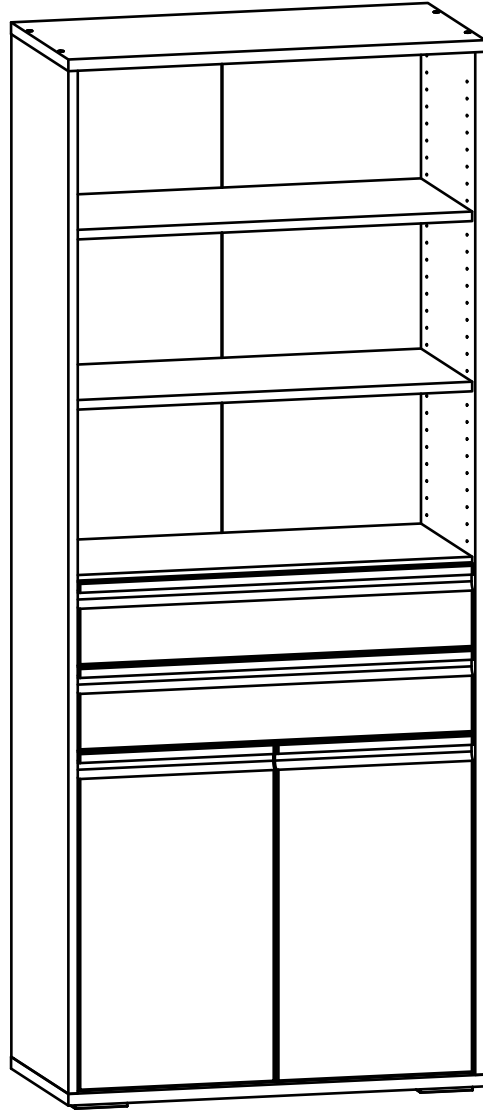
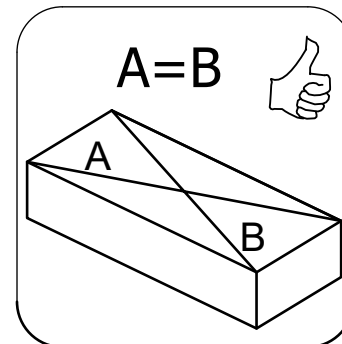
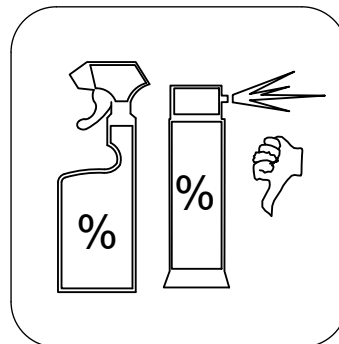
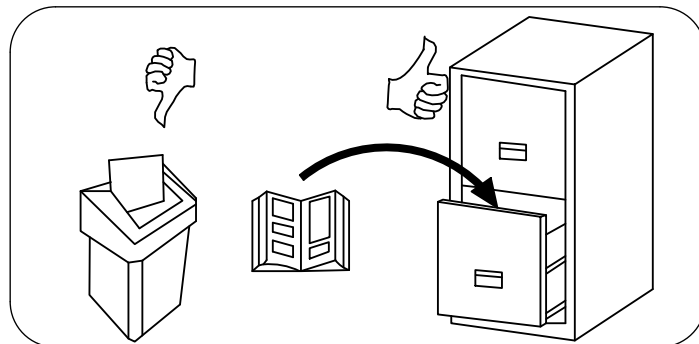
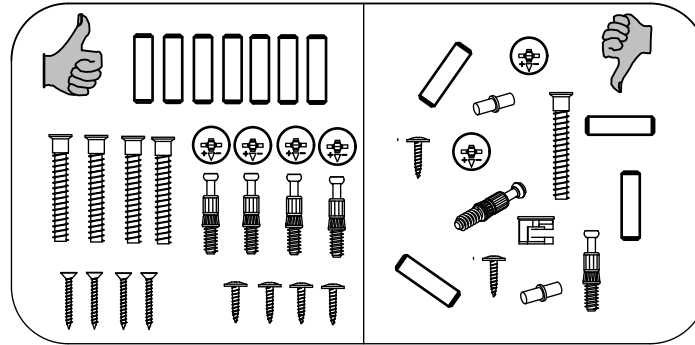
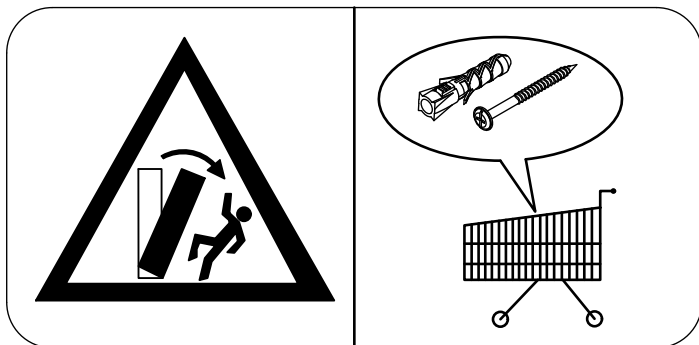
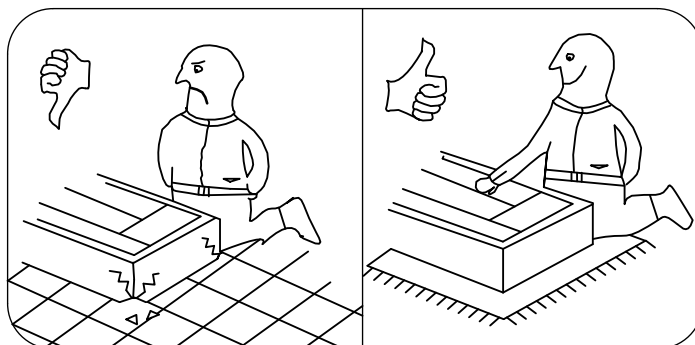
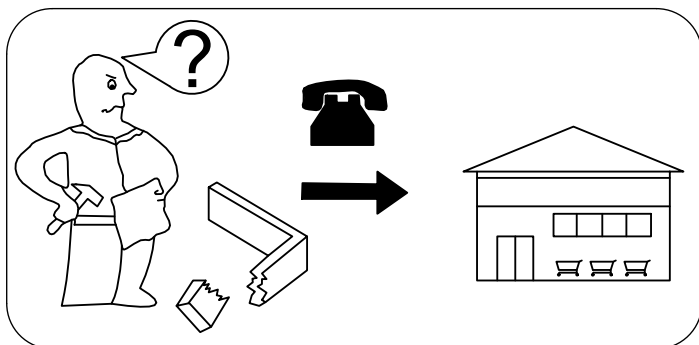
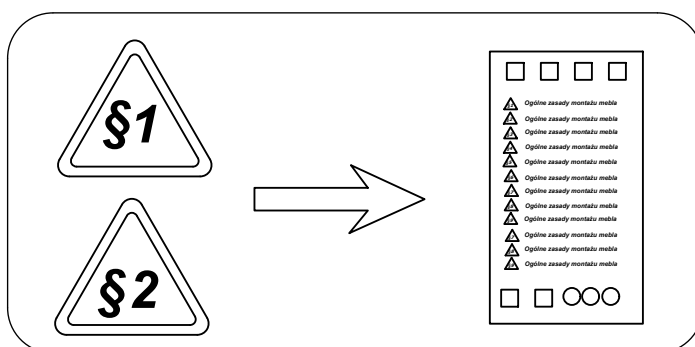
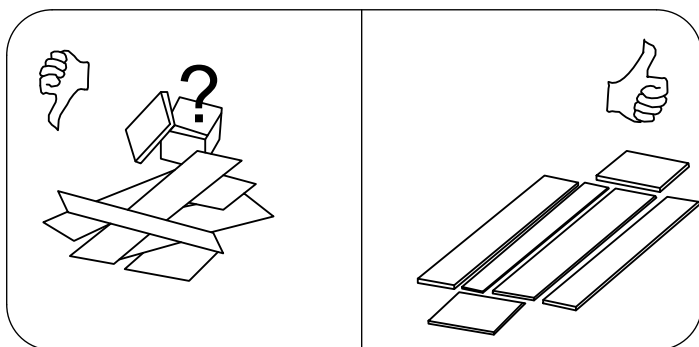
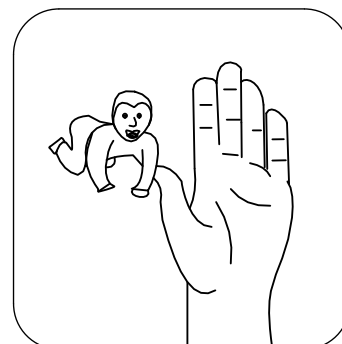
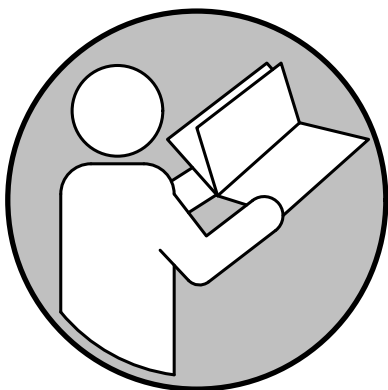
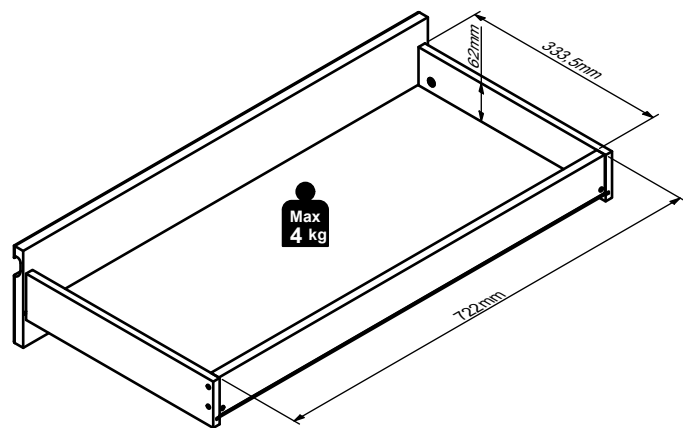
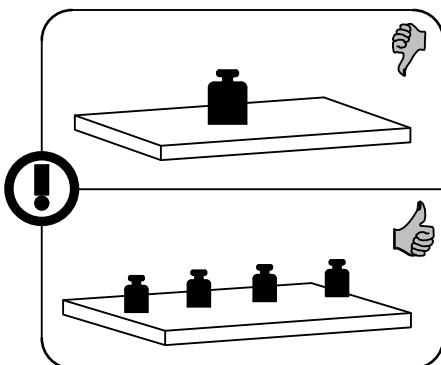
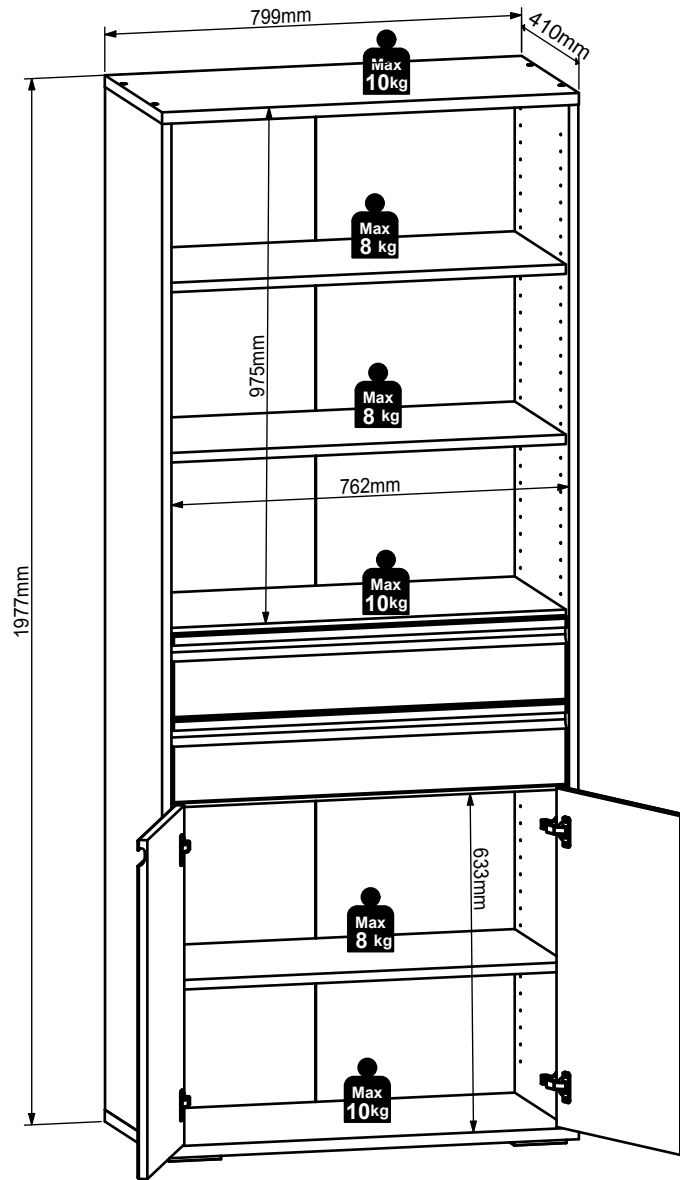
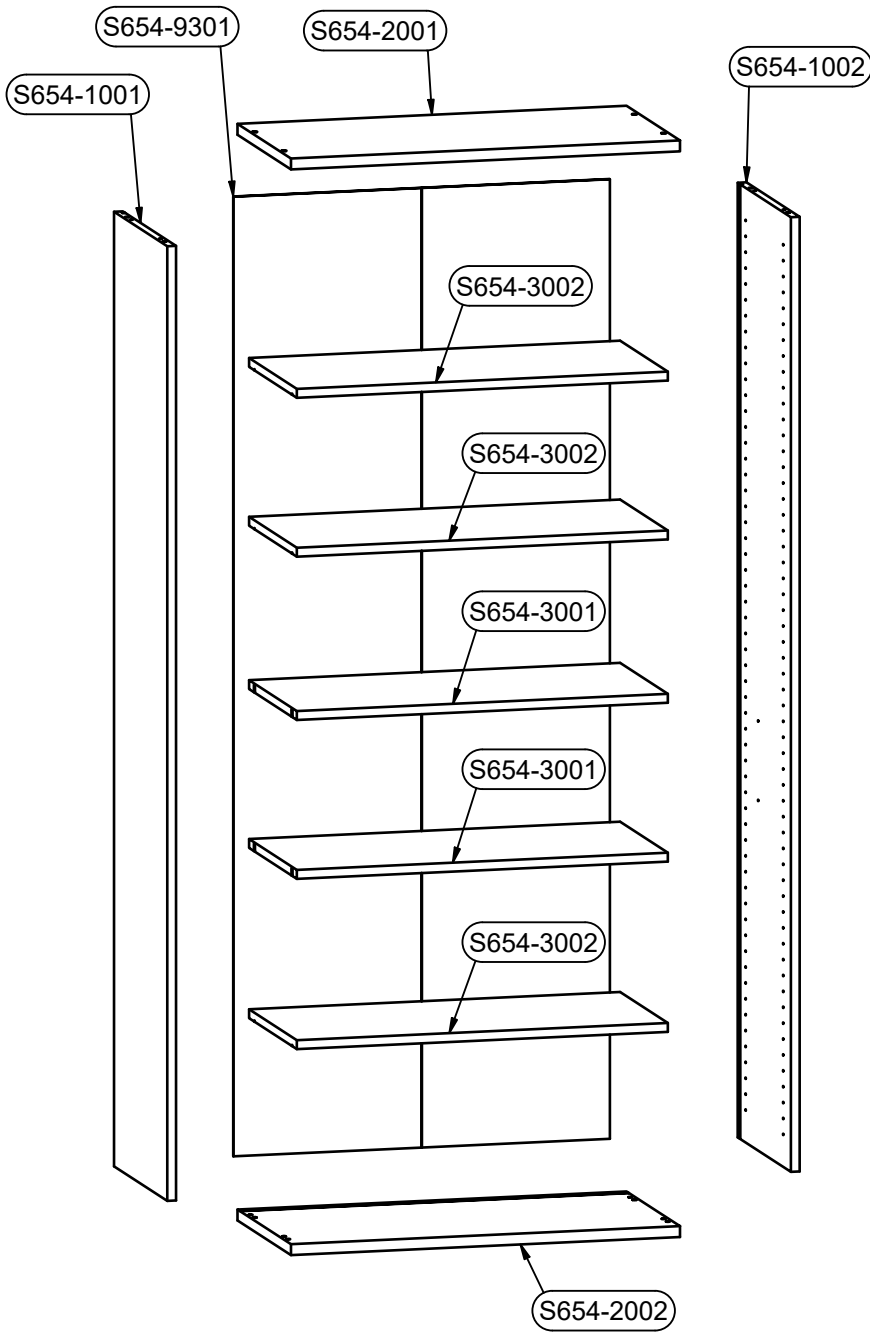


24270316/05

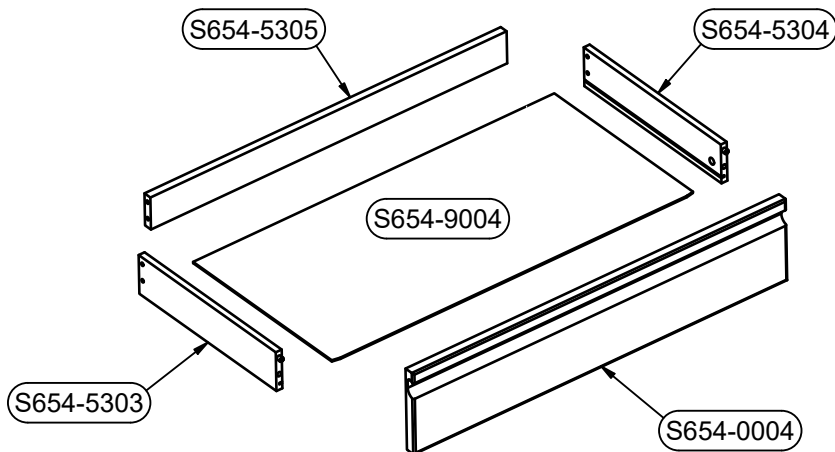
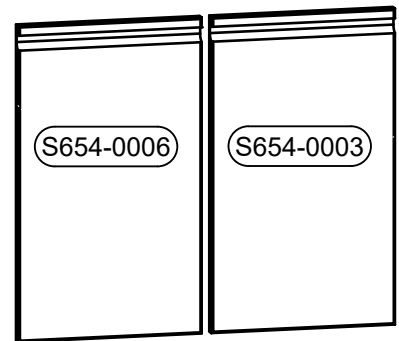




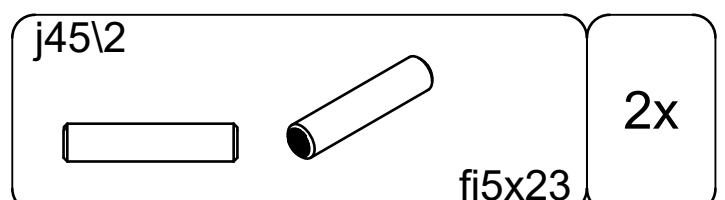
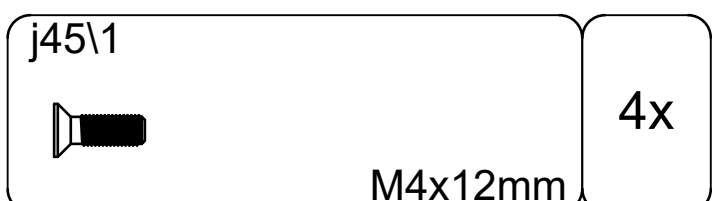
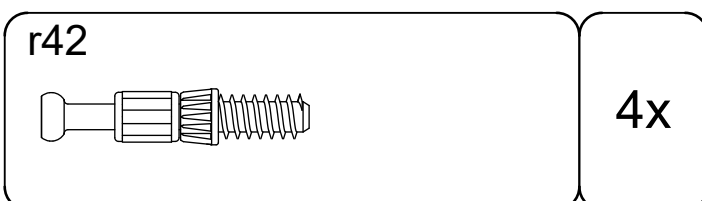
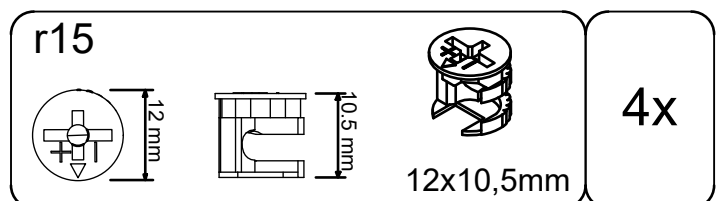
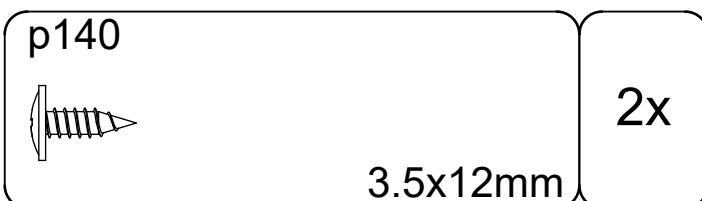
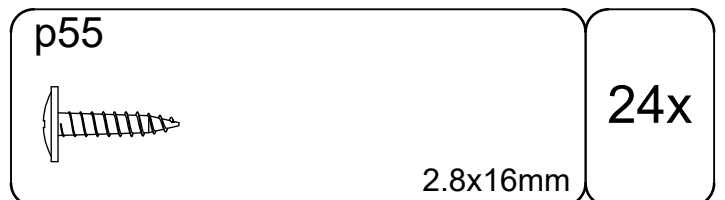
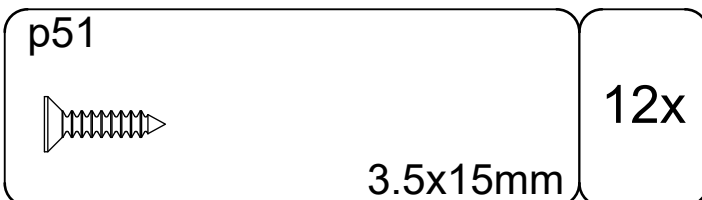
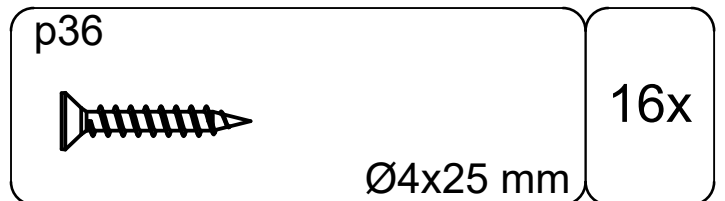
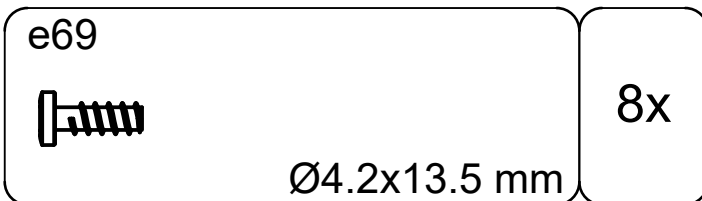
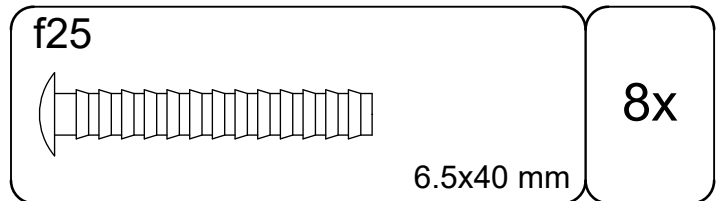
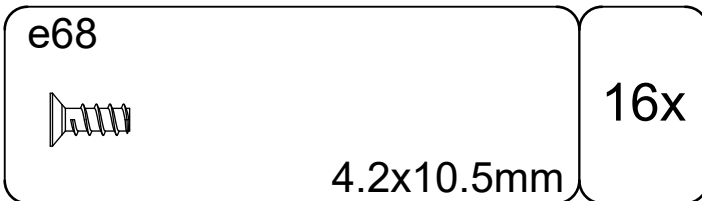
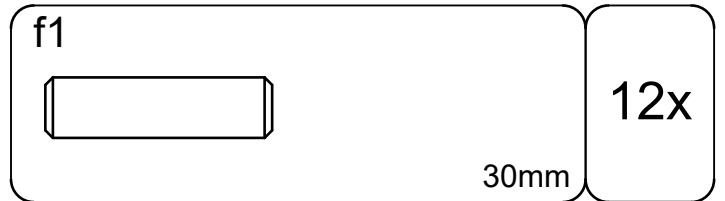
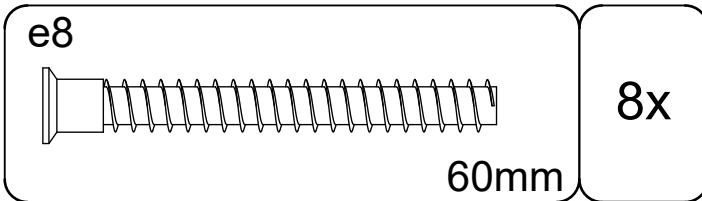
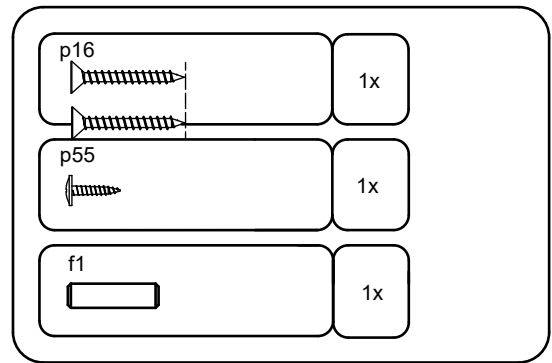
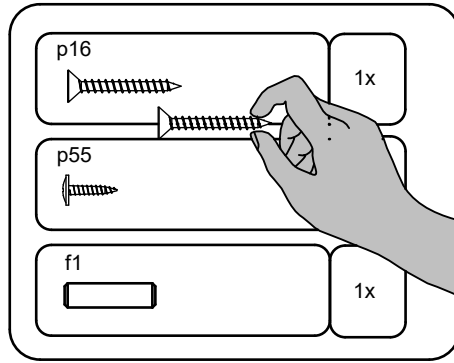




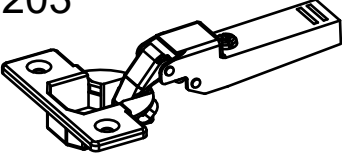
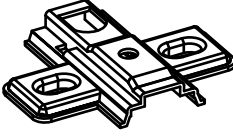
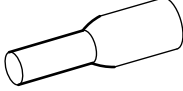
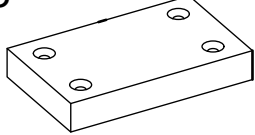
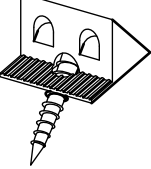
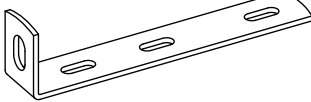
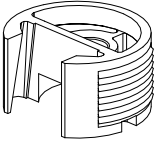

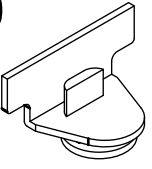
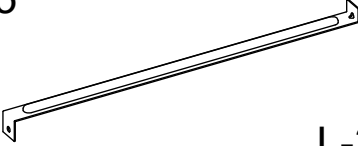
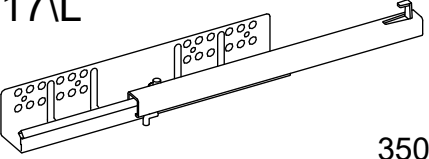
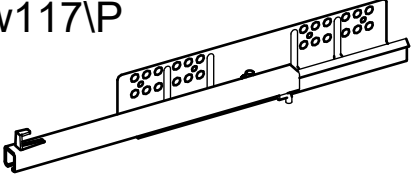
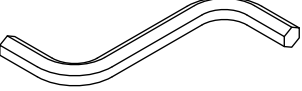

B1	B2	C1	C2	C3	C4	D
S654-0003	-	637	377	19	1	2/3
S654-0004	-	757	157	19	2	2/3
S654-0006	-	637	377	19	1	2/3
S654-1001	-	1923	408	18	1	3/3
S654-1002	-	1923	408	18	1	3/3
S654-2001	-	799	410	22	1	2/3
S654-2002	-	799	410	22	1	2/3
S654-3001	-	762	366	18	2	1/3
S654-3002	-	762	366	18	3	1/3
S654-5303	-	350	75	12	2	1/3
S654-5304	-	350	75	12	2	1/3
S654-5305	-	722	62	15	2	1/3
S654-9004	-	732	357	2,5	2	1/3
S654-9301	-	1933	773	2,5	1	3/3


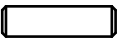
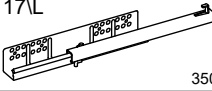





1:1

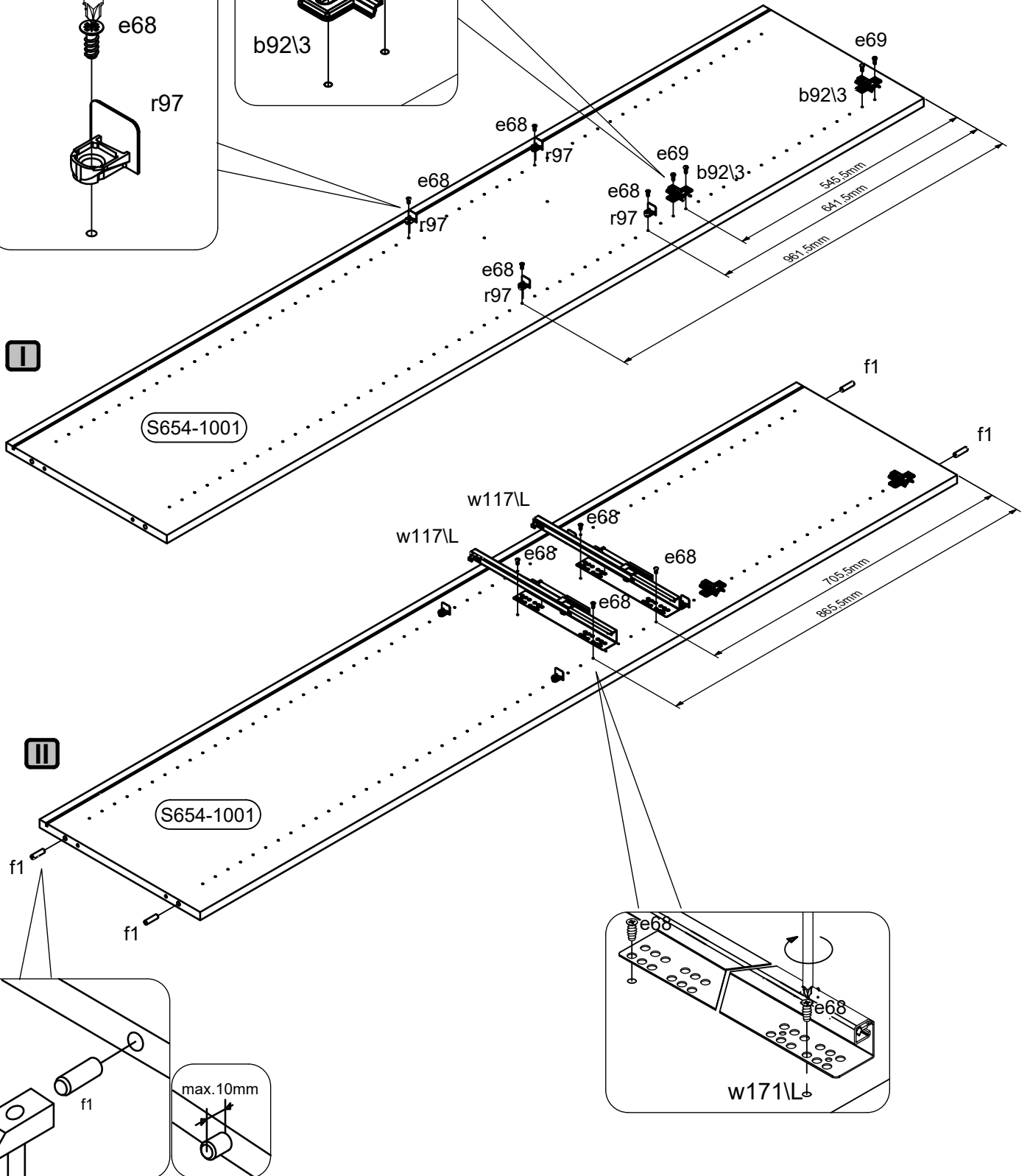
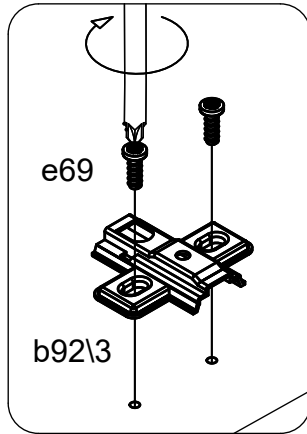
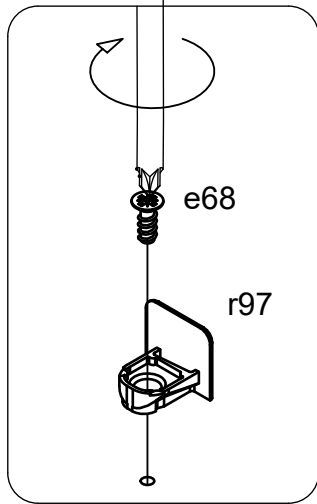




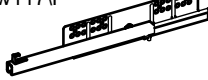

~~1:1~~


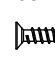
<p>a203</p> 	<p>4x</p>	<p>b92\3</p> 	<p>4x</p>
<p>d47</p> 	<p>12x</p>	<p>k178</p> 	<p>4x</p>
<p>l2</p> 	<p>14x</p>	<p>n14\2</p> 	<p>1x</p>
<p>r99</p> 	<p>8x</p>	<p>r97</p> 	<p>8x</p>
<p>r100</p> 	<p>1x</p>	<p>t35</p>  <p>L-350mm</p>	<p>2x</p>
<p>w117\L</p>  <p>350mm</p>	<p>2x</p>	<p>w117\P</p>  <p>350mm</p>	<p>2x</p>
<p>z1</p>  <p> 4mm</p>	<p>1x</p>		

r97 	4x	f1 	4x	w117/L 	2x	b92\3 	2x
		30mm			350mm		
				e69 	4x	e68 	8x
				Ø4.2x13.5 mm		4.2x10.5mm	

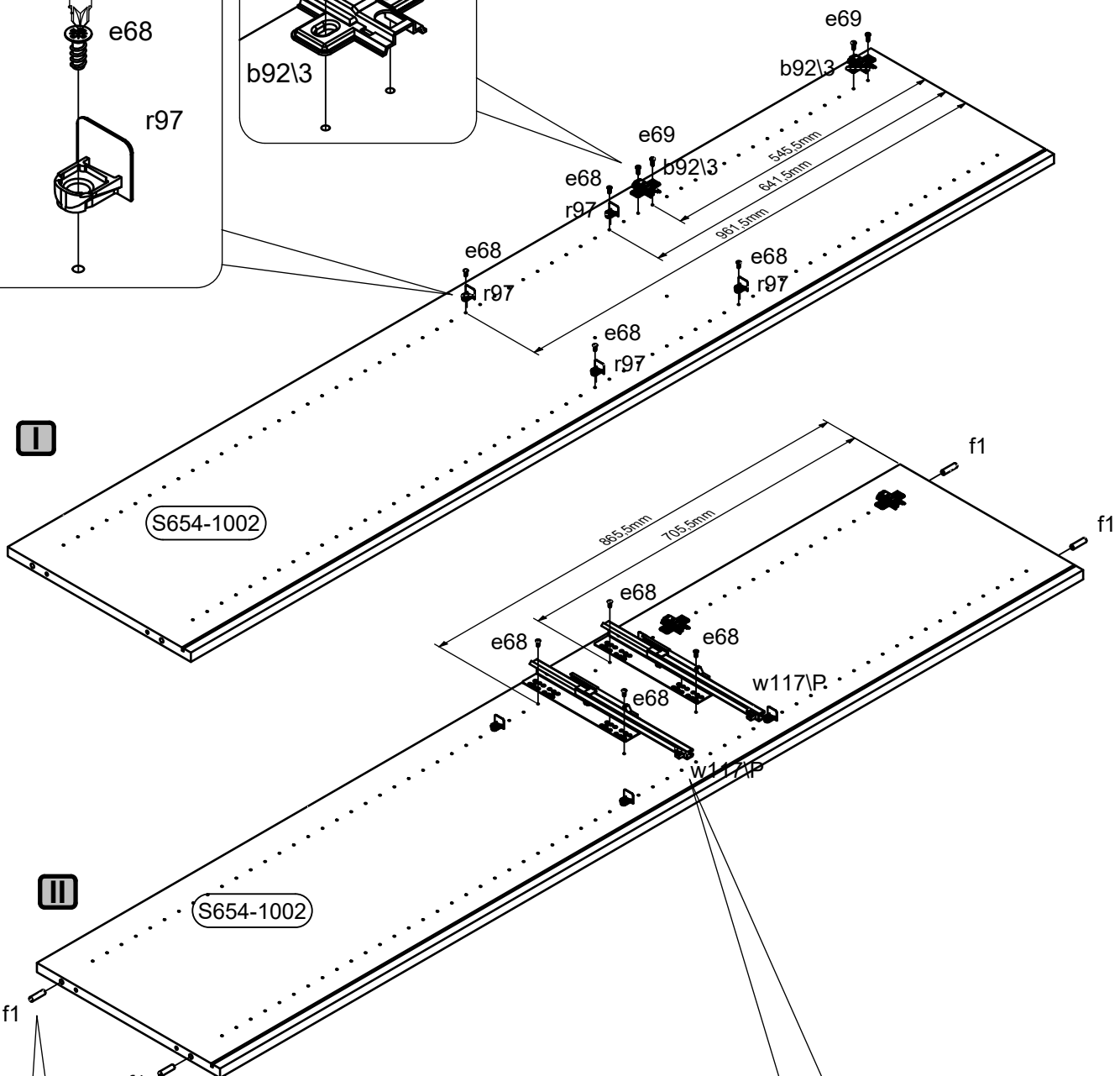
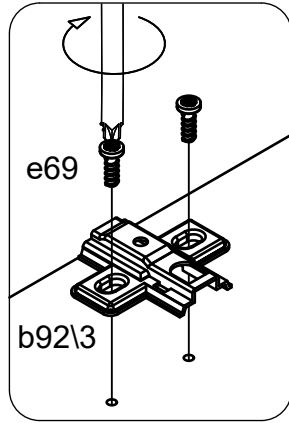
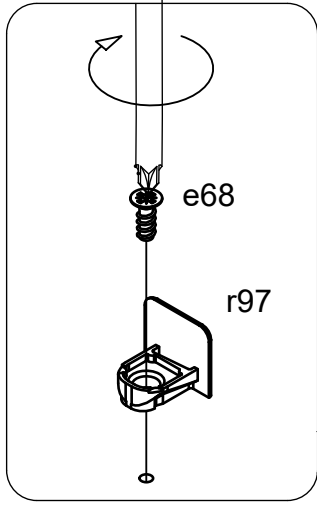
1 



r97 	4x	f1 	4x	w117/P 	2x	b92\3 	2x
		30mm		350mm			

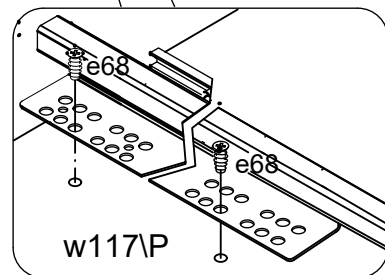
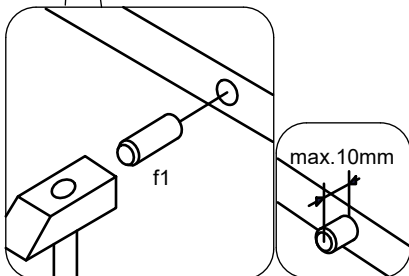
e69 	4x	e68 	8x
Ø4.2x13.5 mm		4.2x10.5mm	

2

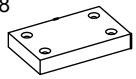


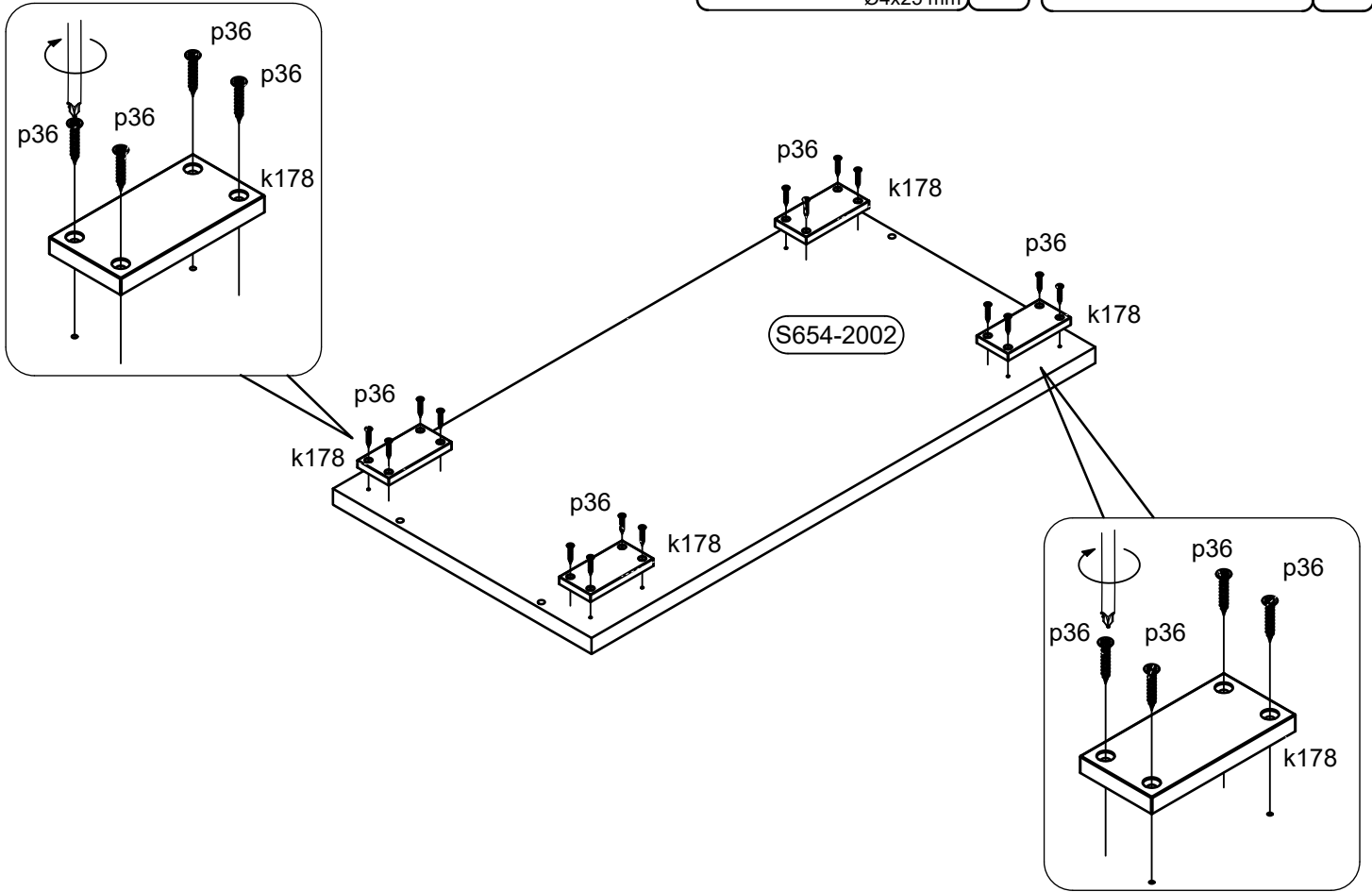
I

III

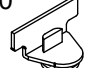
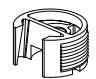


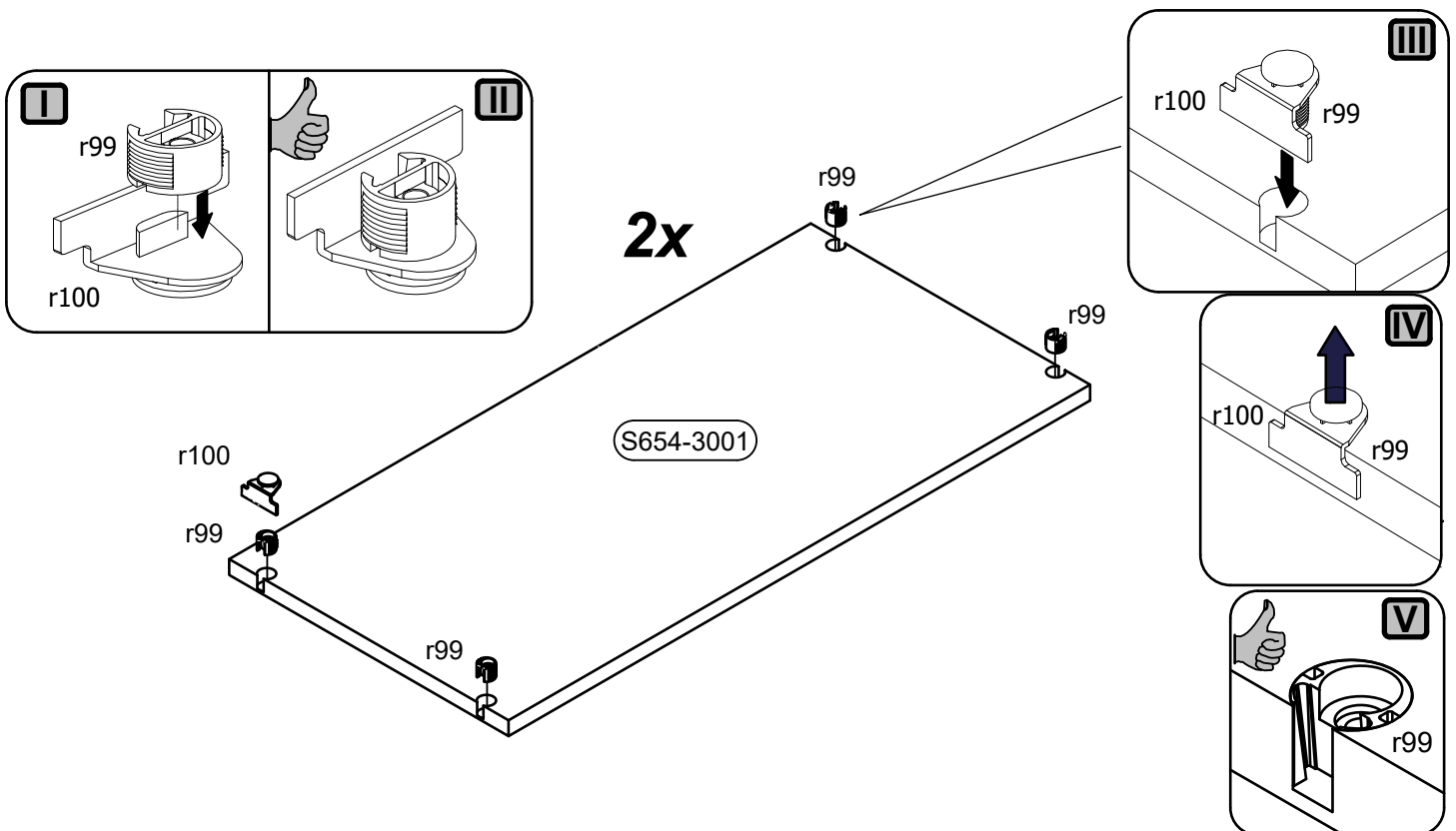
3 §2

p36  Ø4x25 mm	16x	k178 	4x
--	-----	---	----


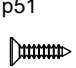


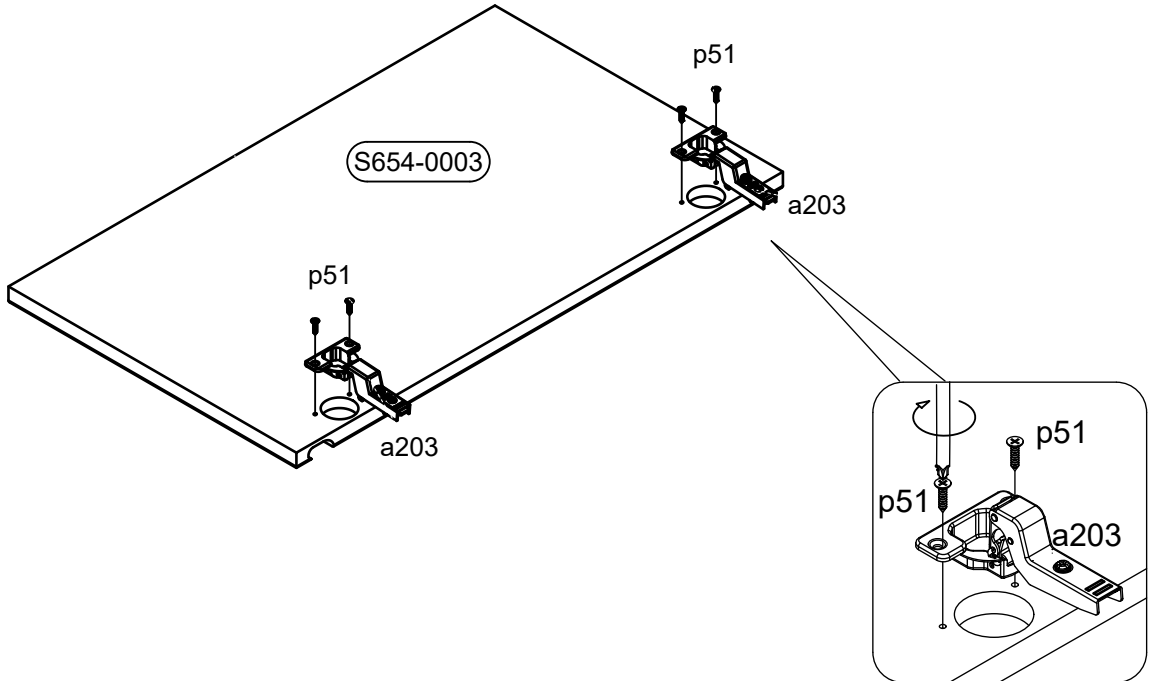
4 §2

r100 	1x	r99 	8x
---	----	--	----


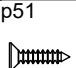


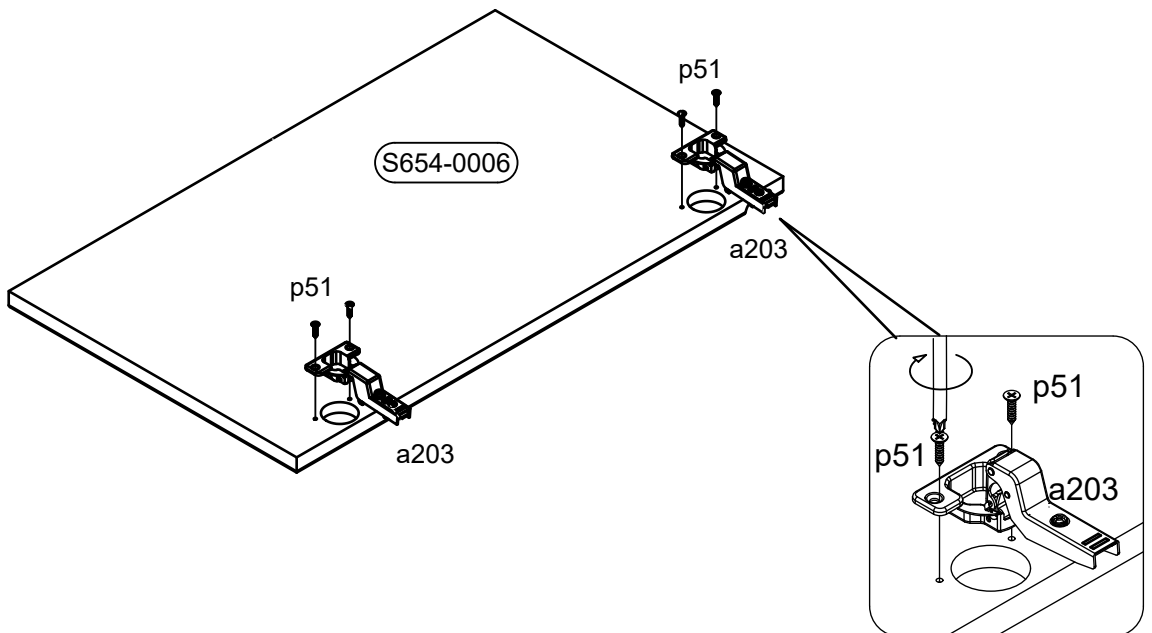
5 

 a203	2x	 p51	4x
		3.5x15mm	

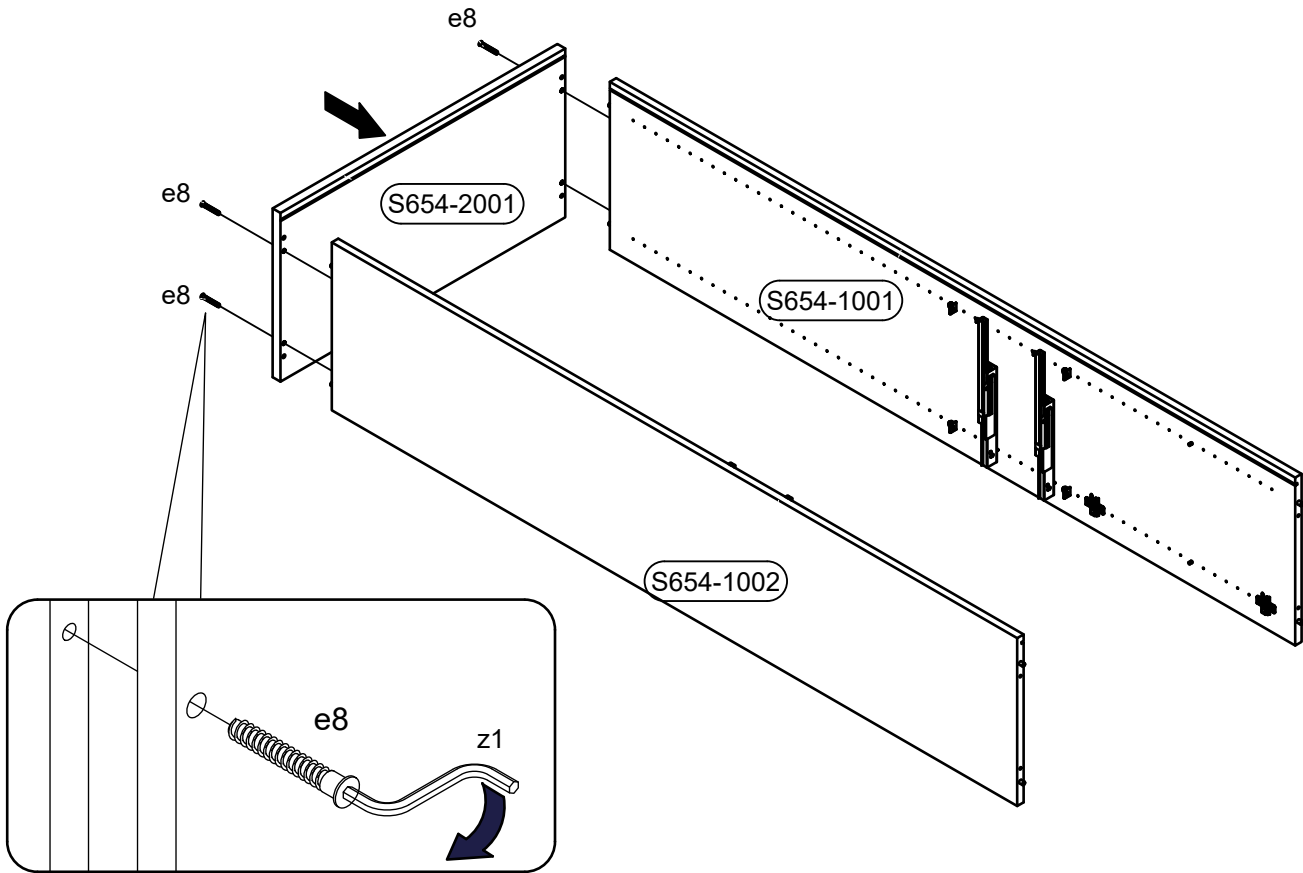
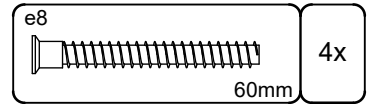


6 

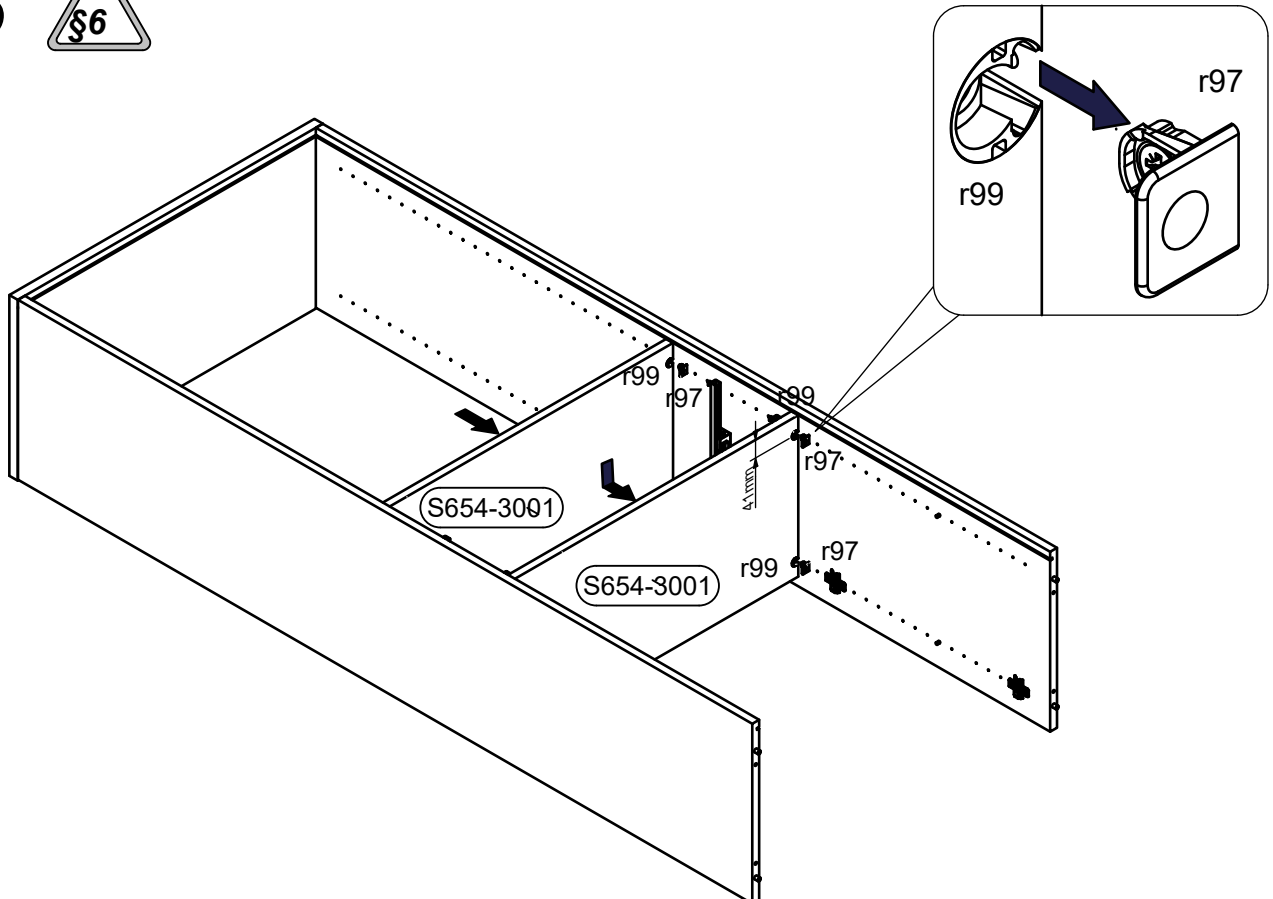
 a203	2x	 p51	4x
		3.5x15mm	



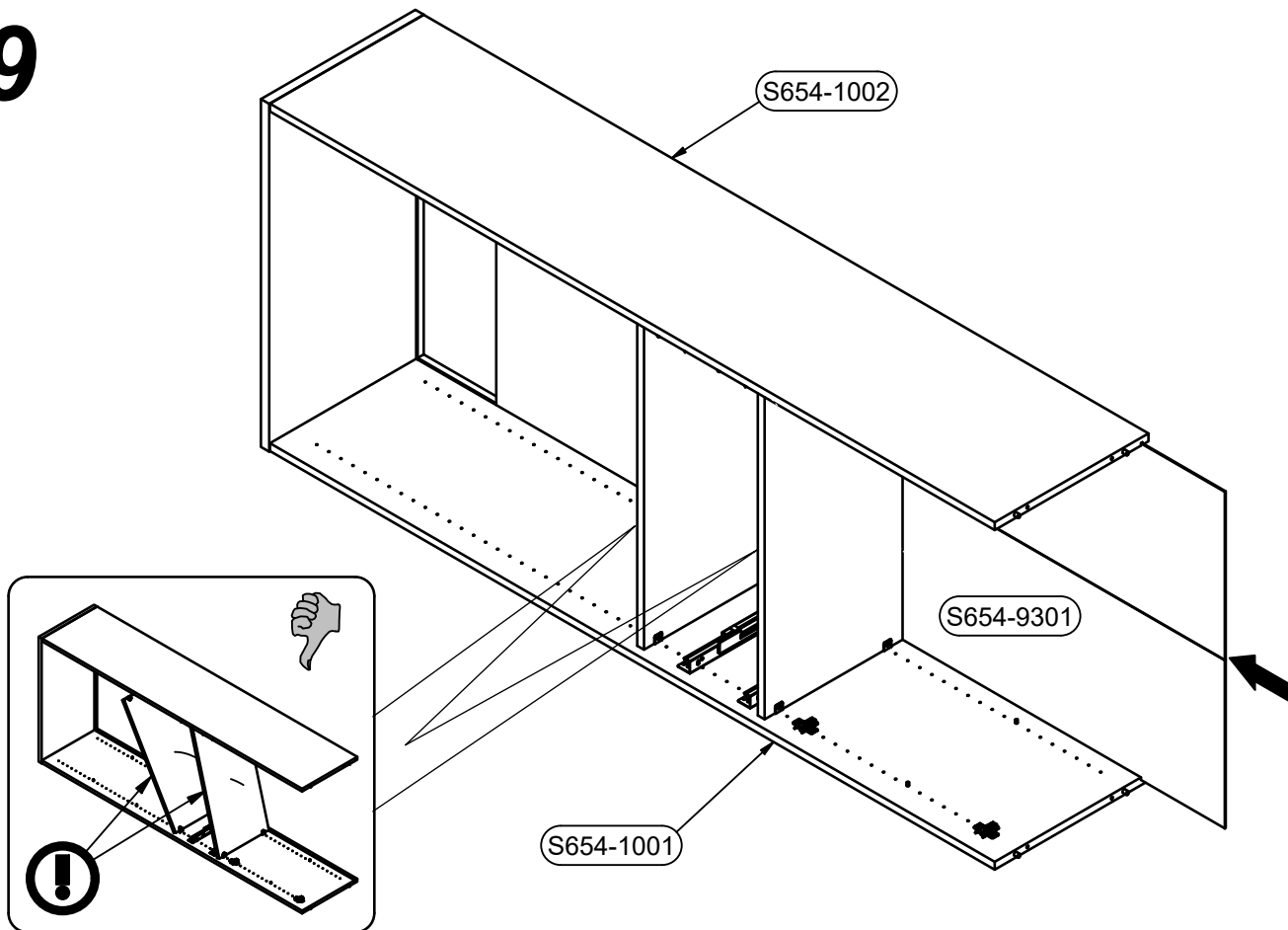
7



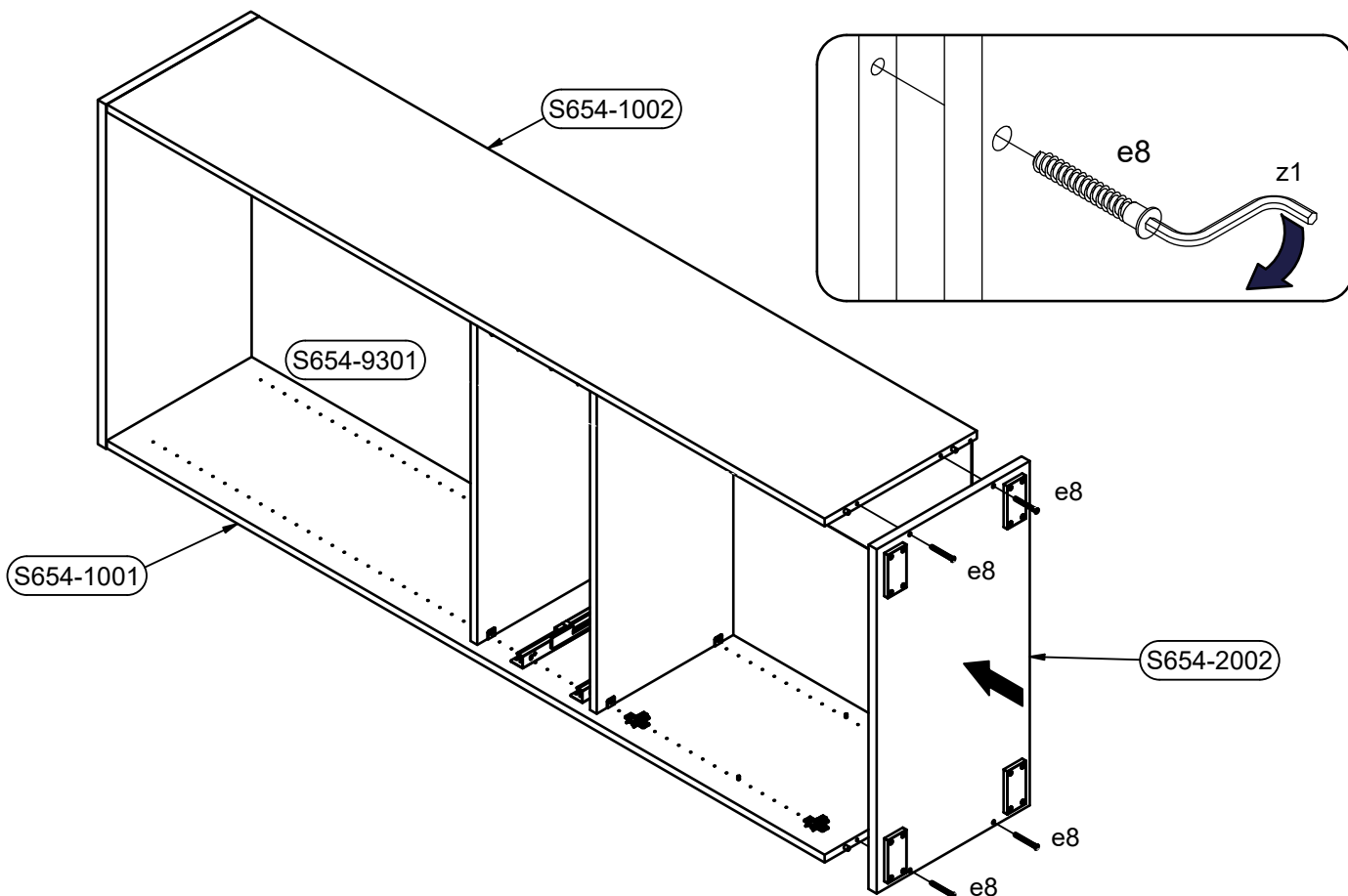
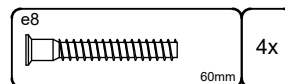
8



9

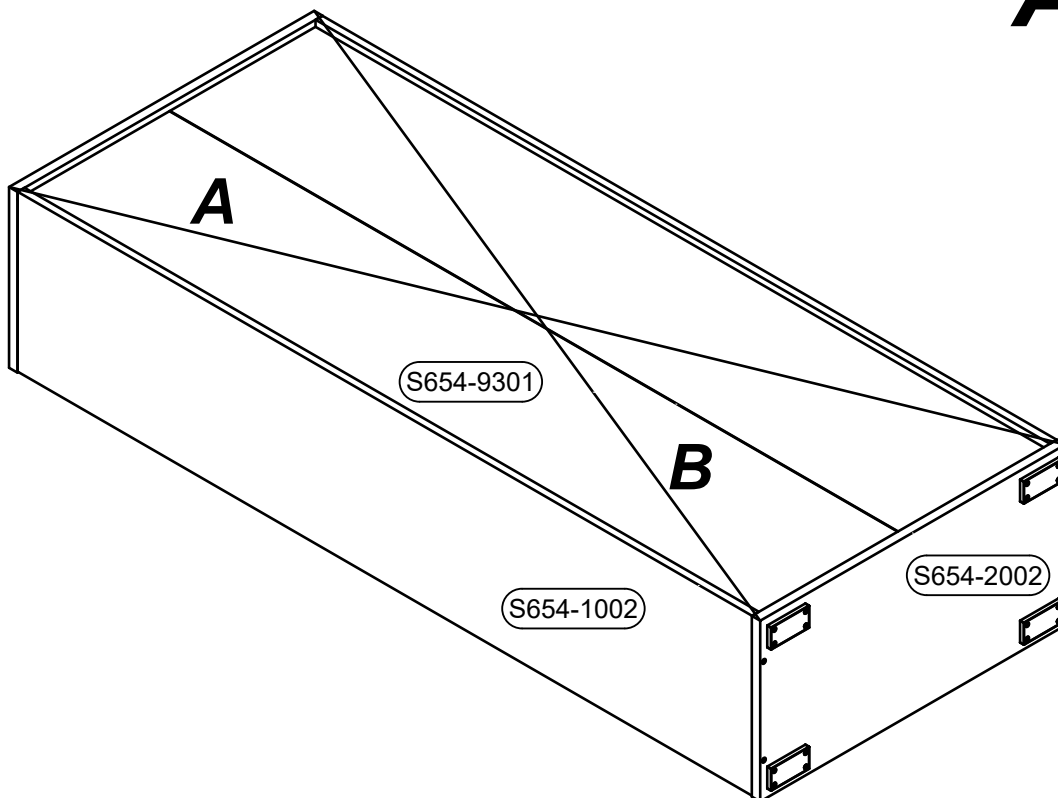


10

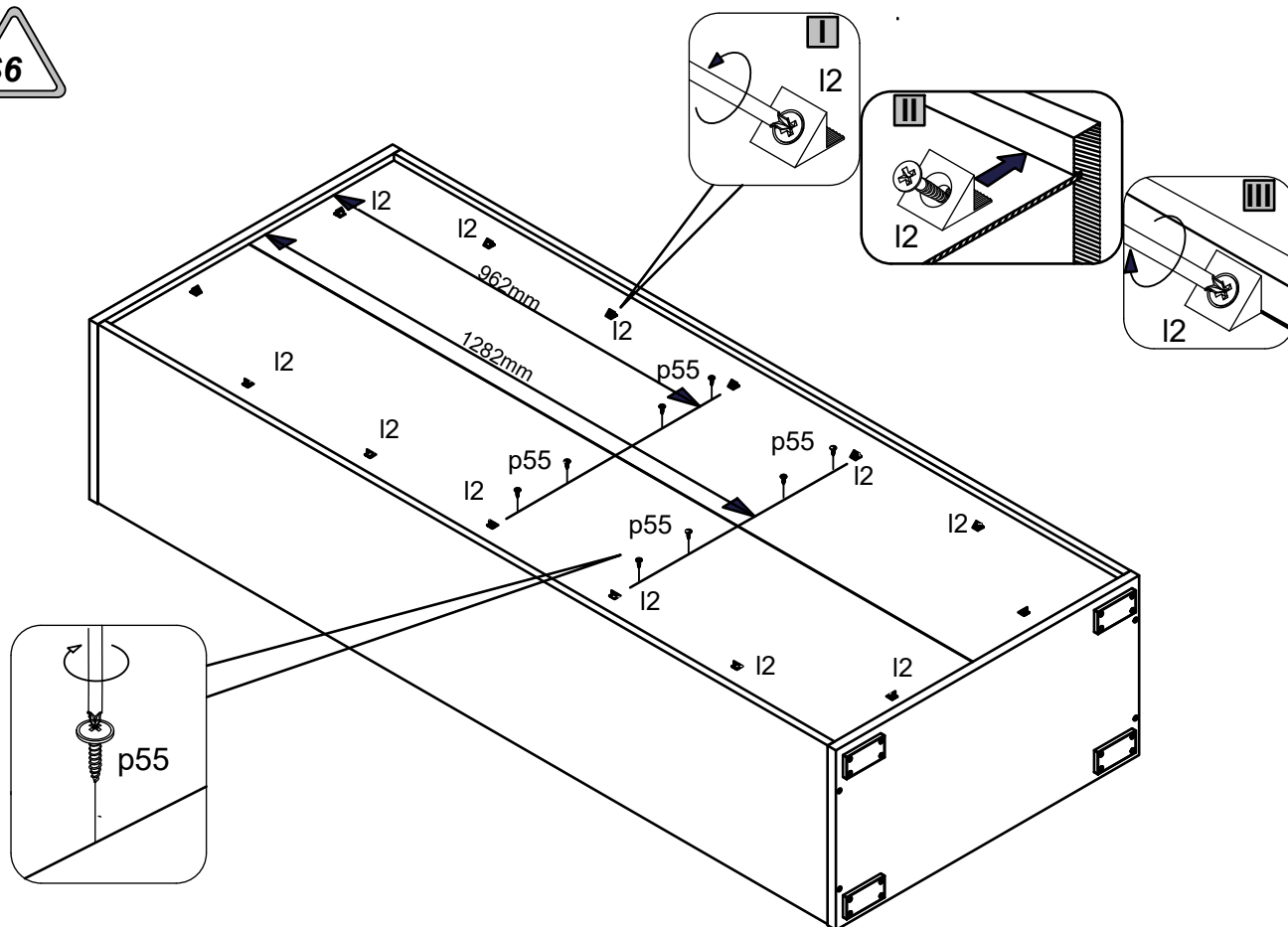
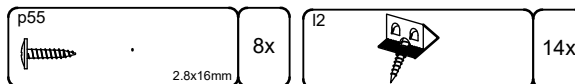


11

A=B



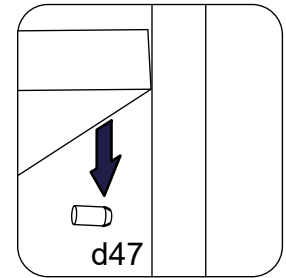
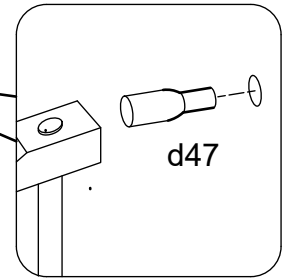
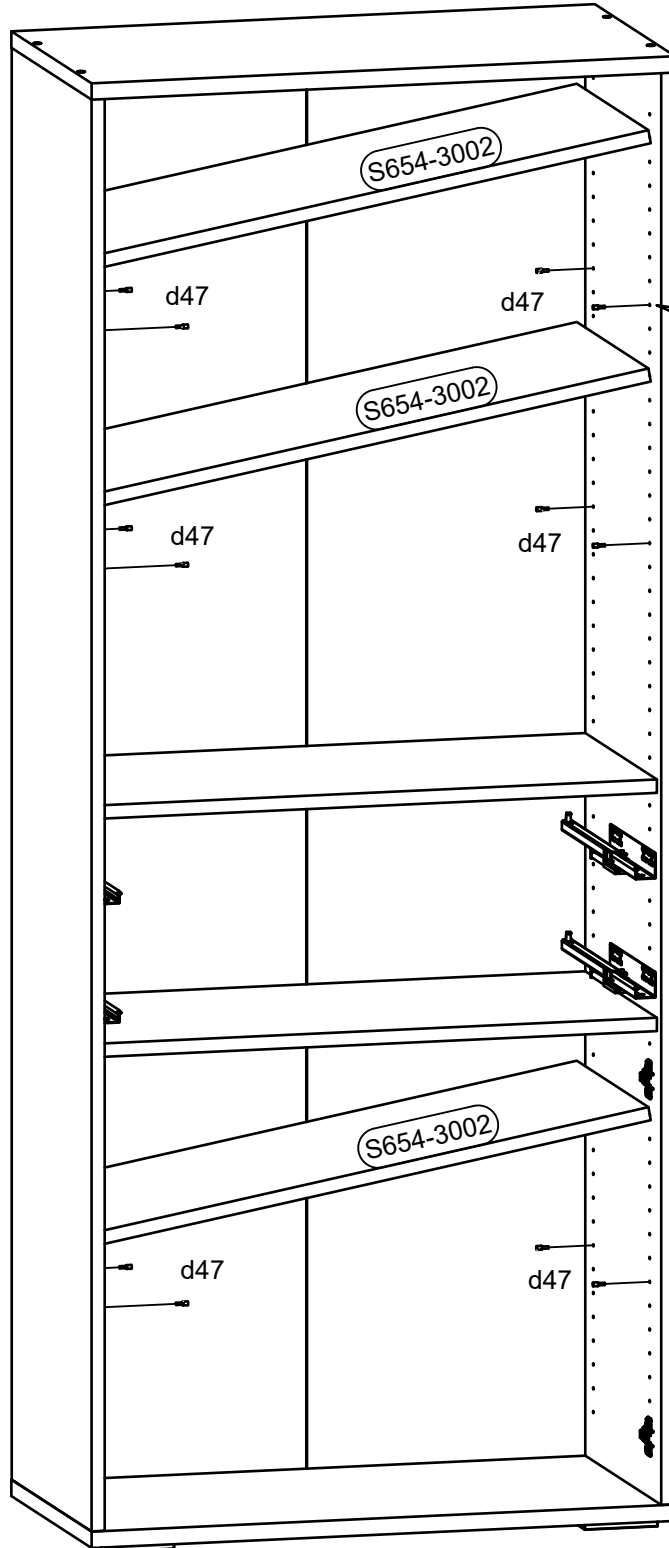
12

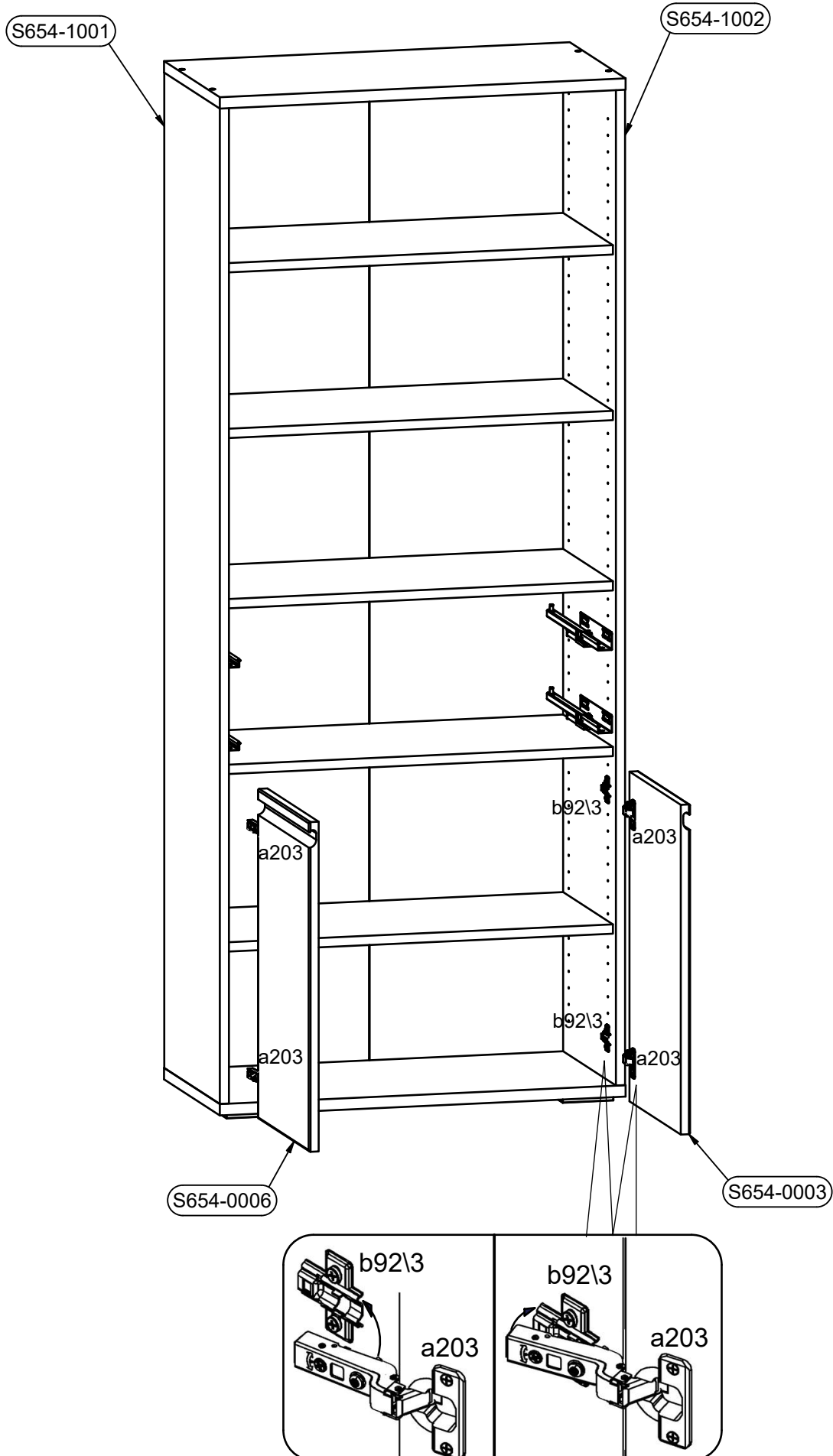


13

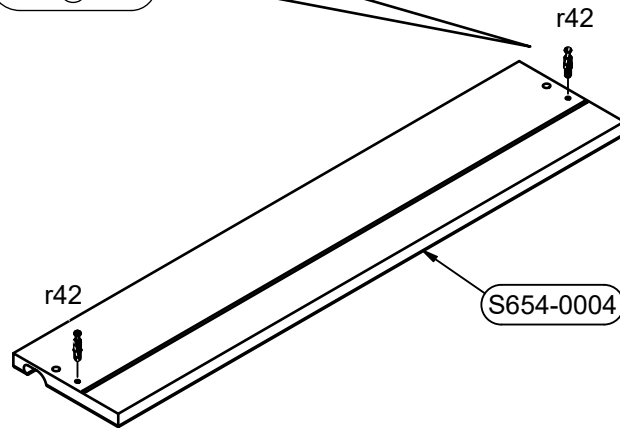
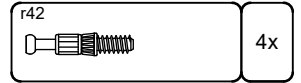
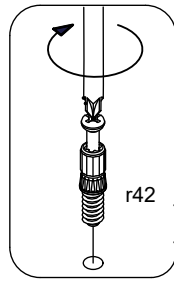


d47		12x
-----	--	-----

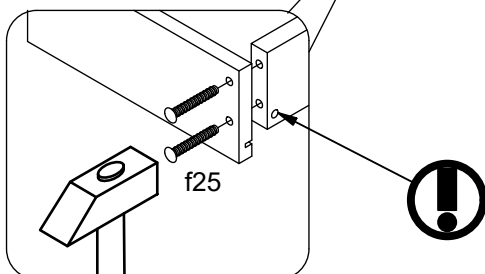
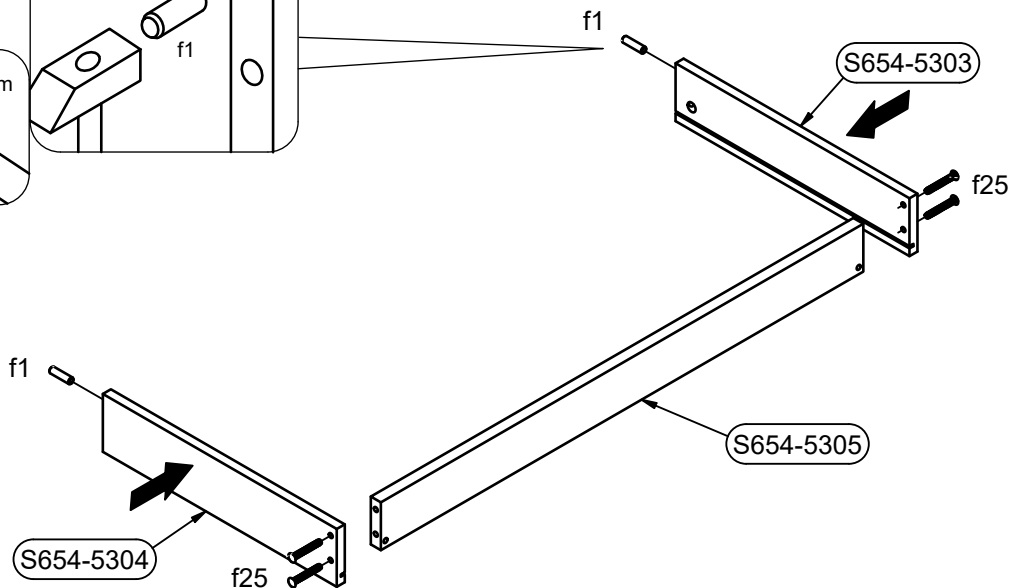
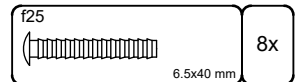
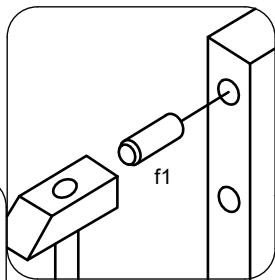
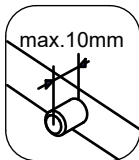




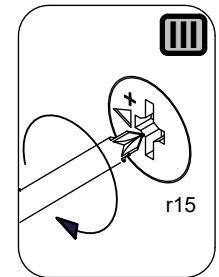
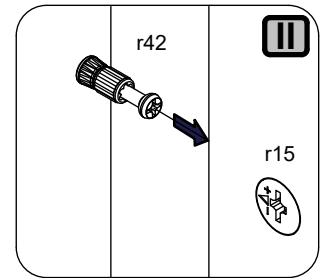
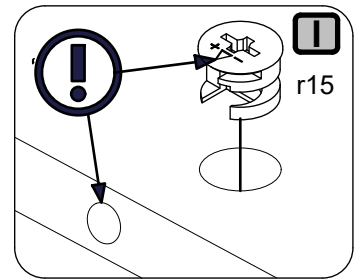
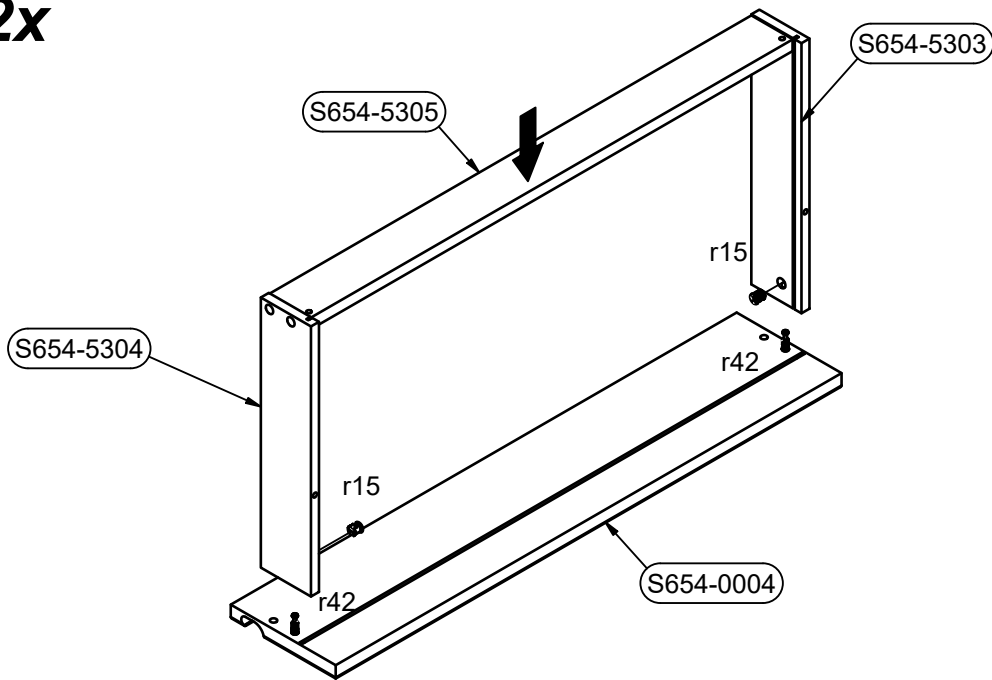
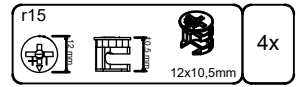
15
2x




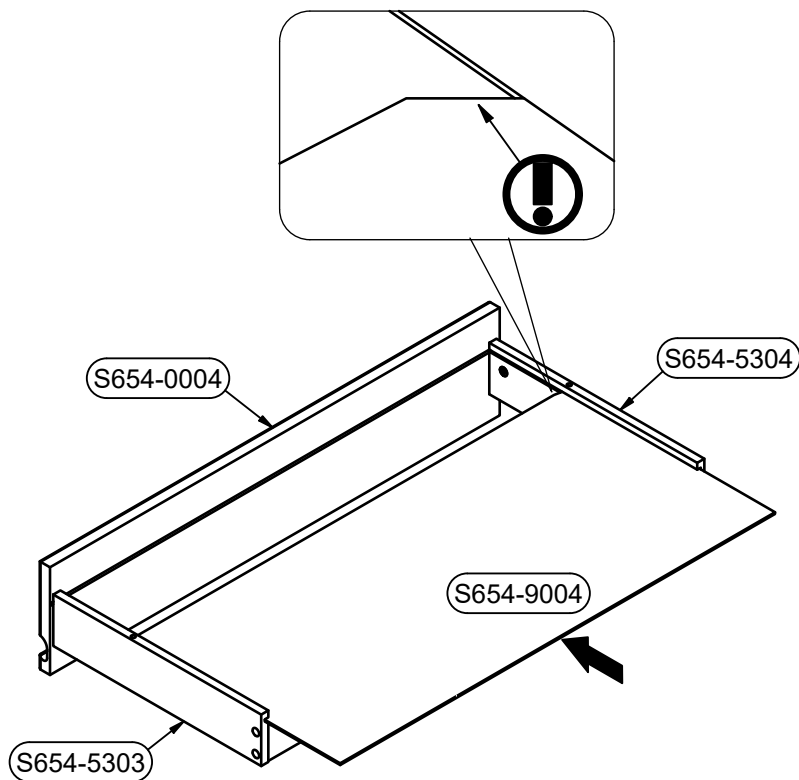
16
2x



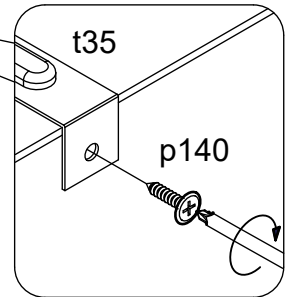
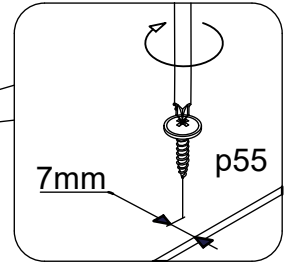
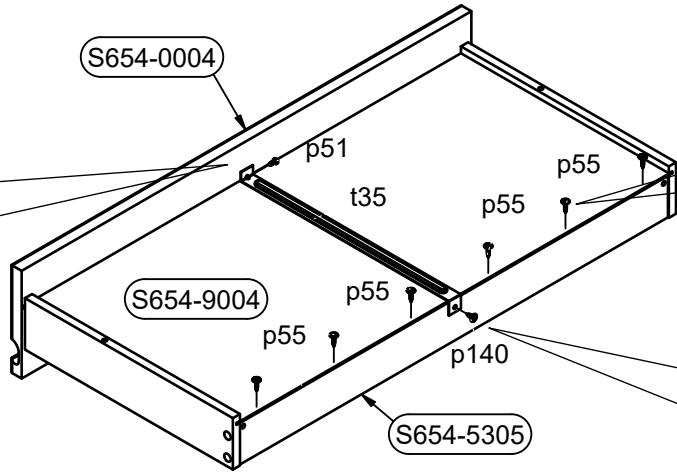
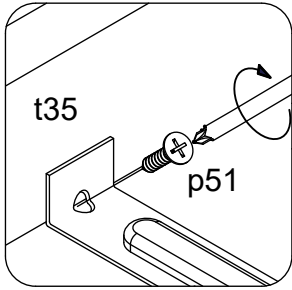
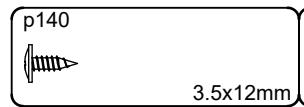
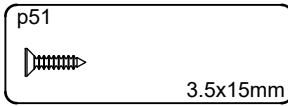
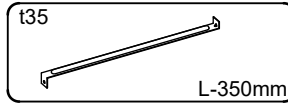
17 
2x



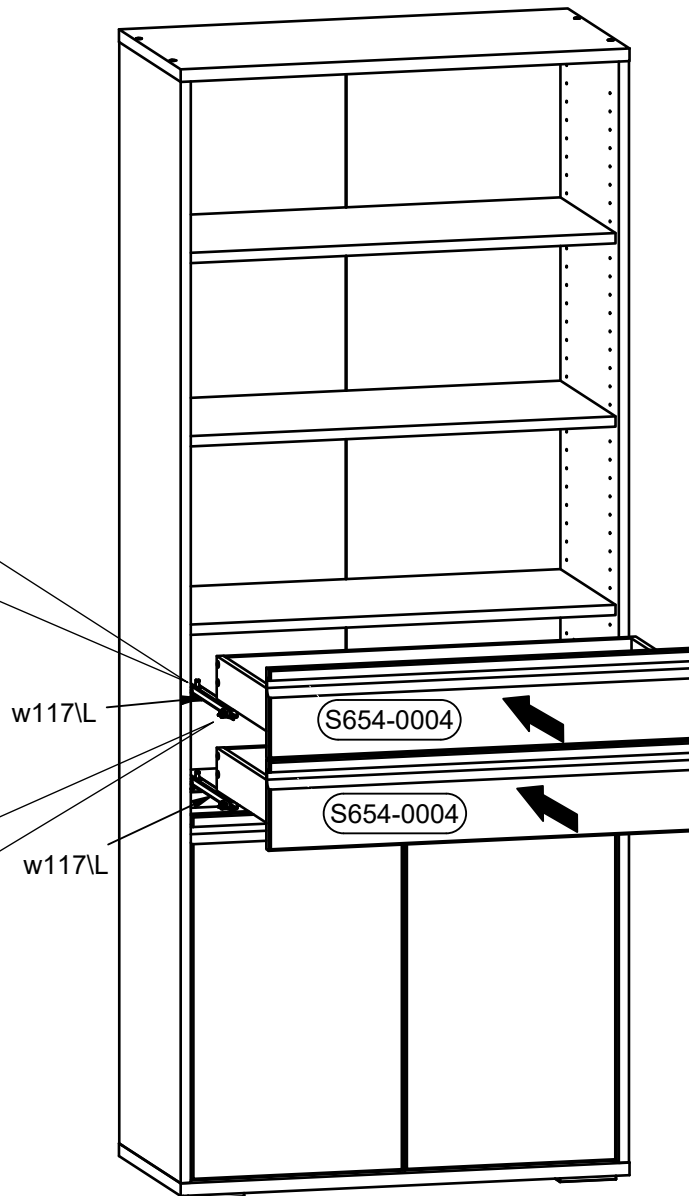
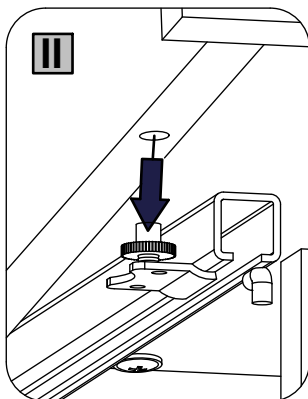
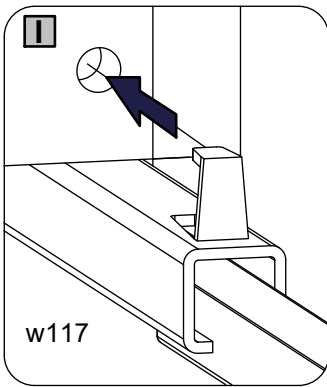
18 
2x



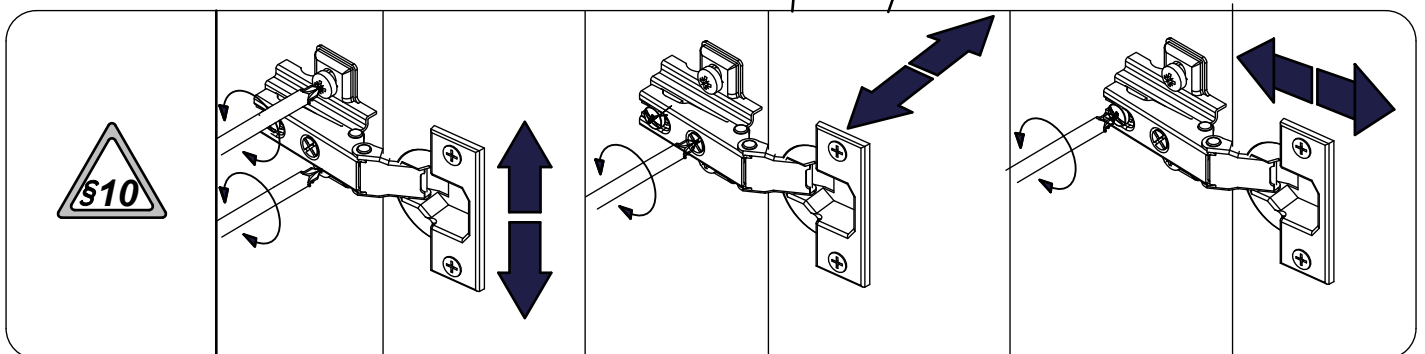
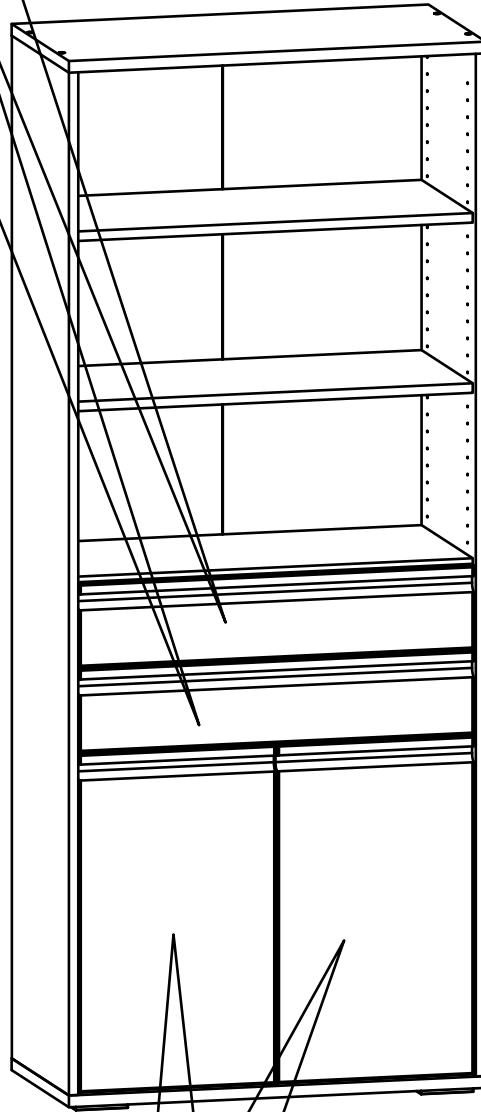
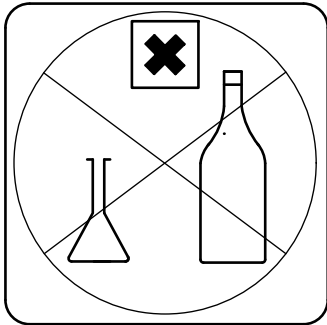
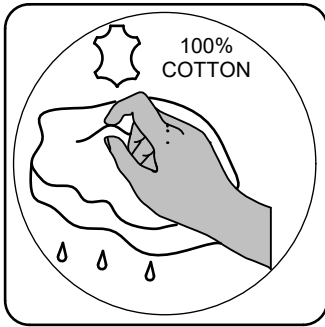
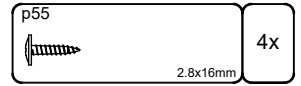
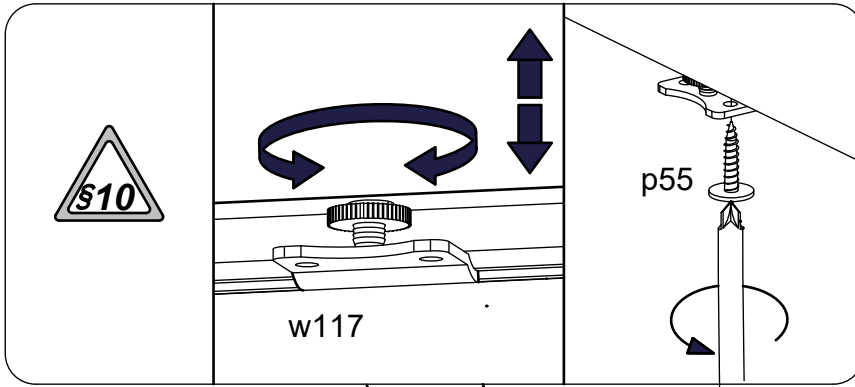
19
2x



20



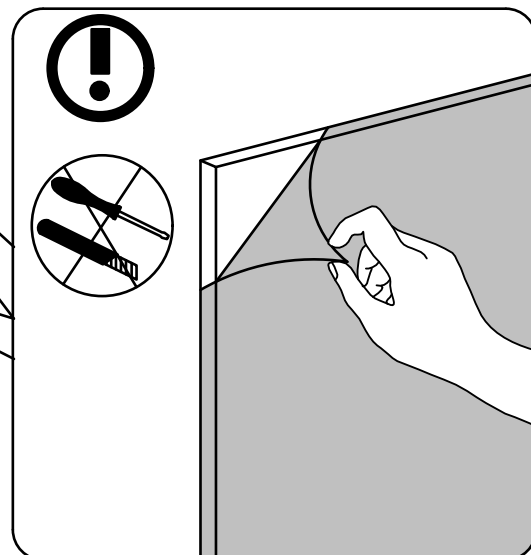
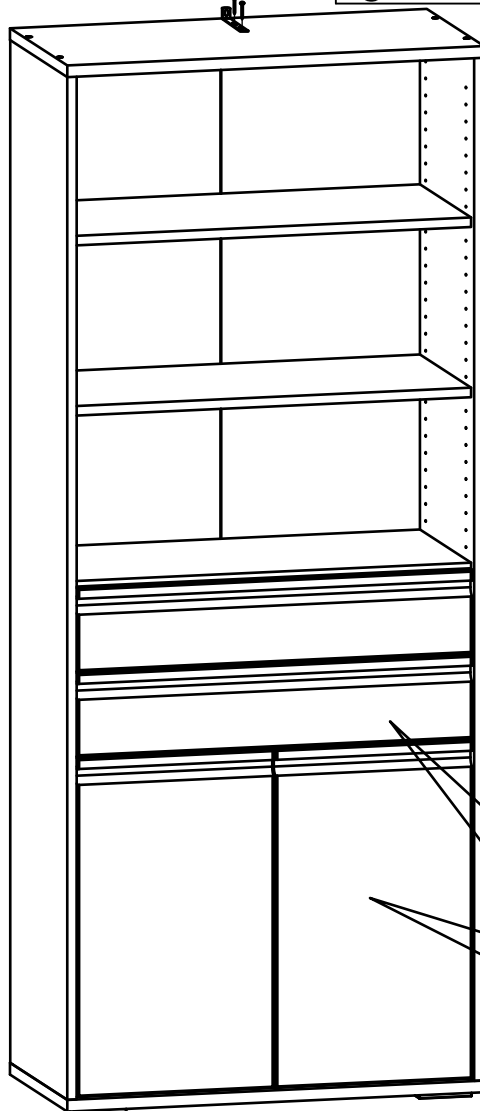
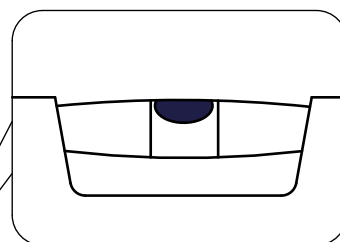
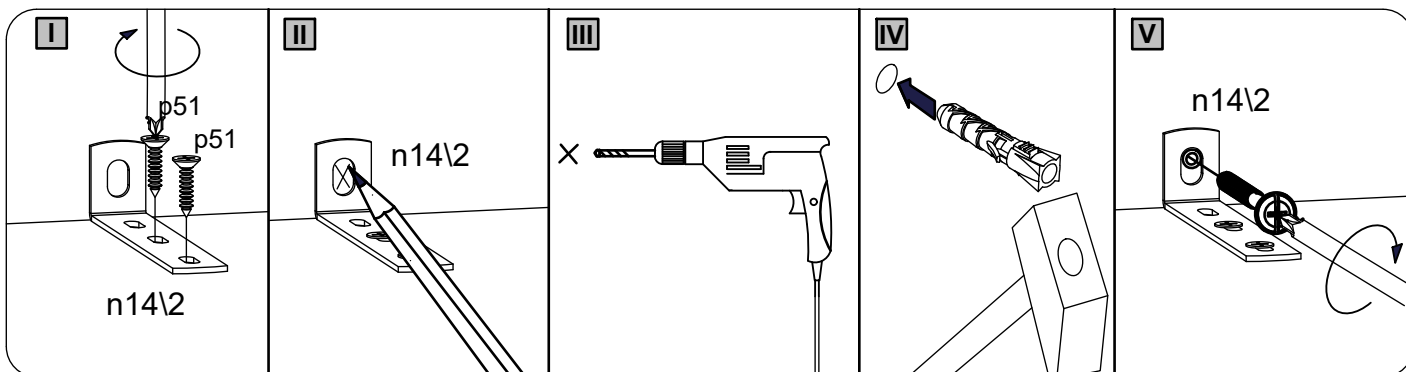
21





22



n14\2 	1x	p51 	2x 3.5x15mm
-----------	----	---------	----------------



<p>j45\1</p>  <p>M4x12mm</p>	<p>4x</p>	<p>j45\2</p>  <p>f15x23</p>	<p>2x</p>
---	-----------	--	-----------

