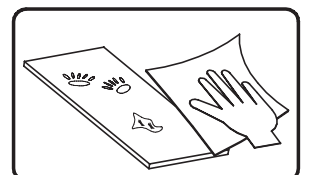
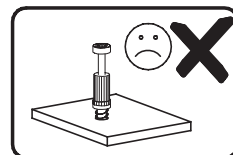
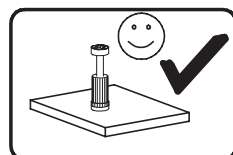
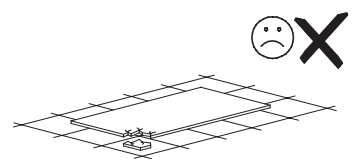
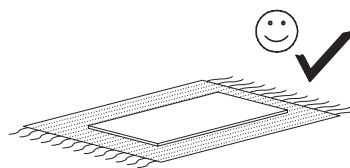
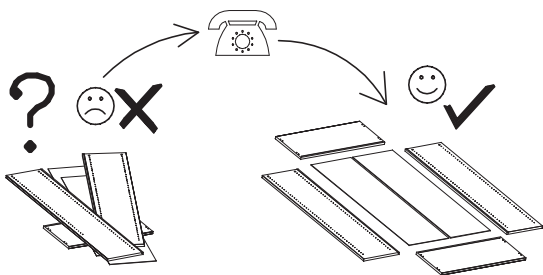
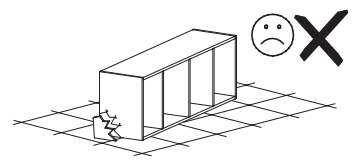
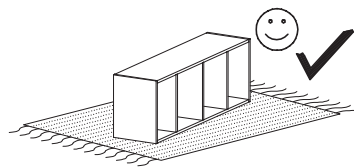
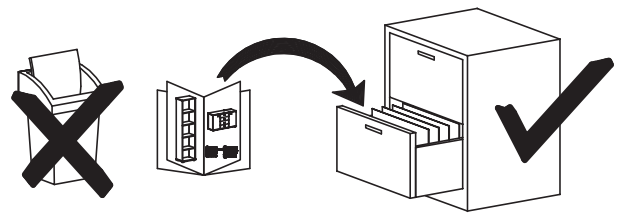
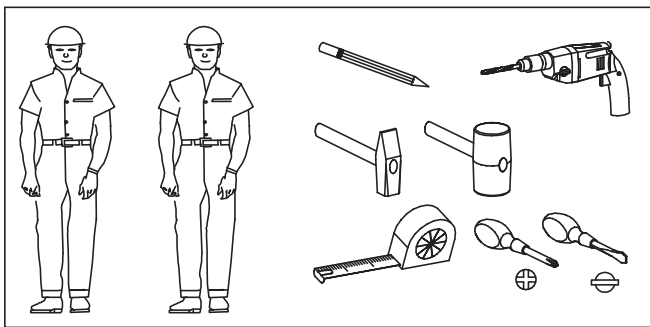
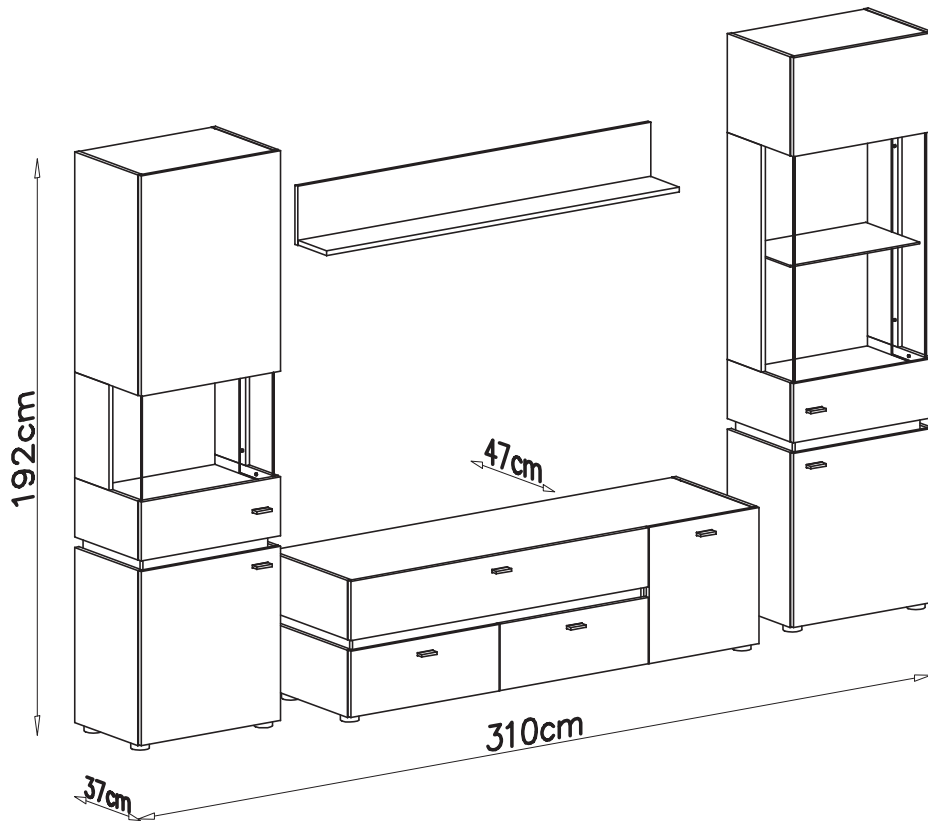


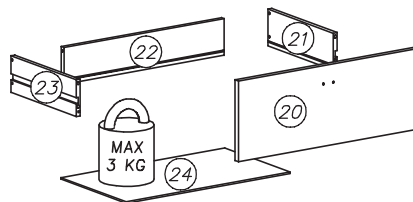
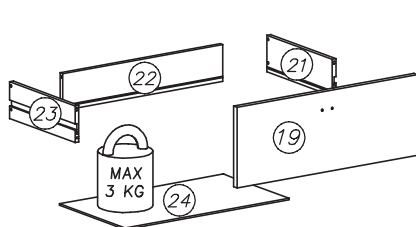
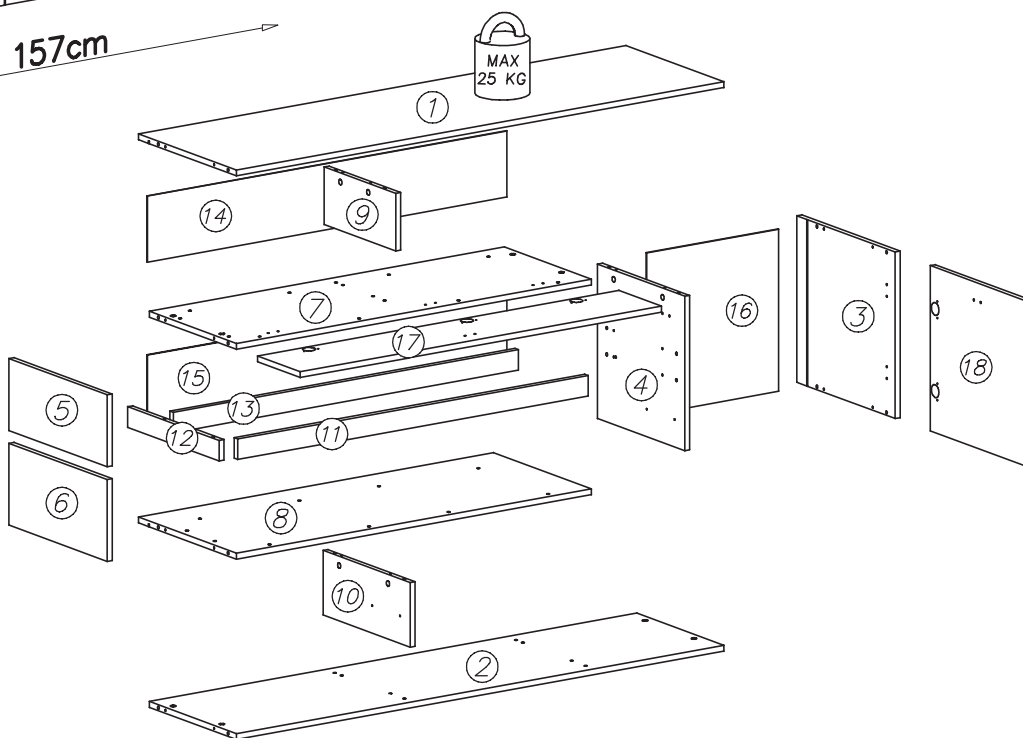
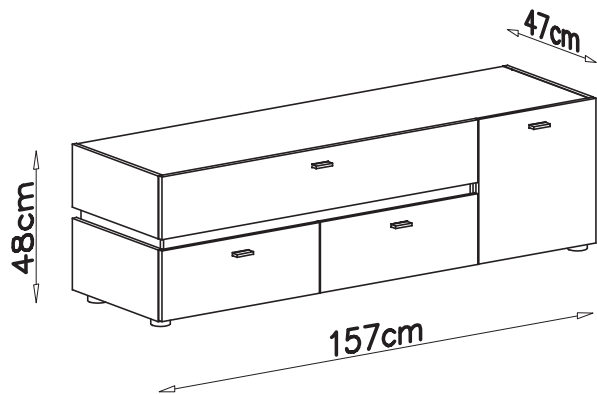
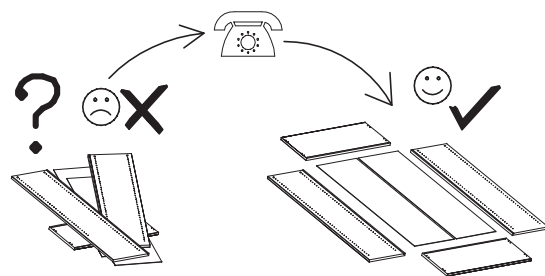
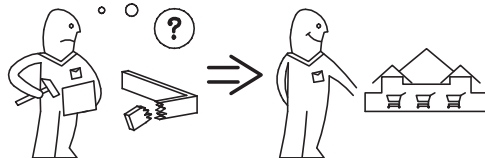
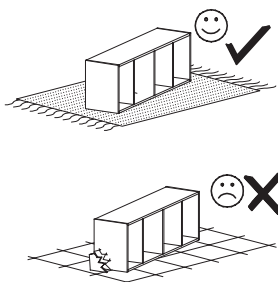
MARCUS WW

time

NR ART. 07780063/01

your style

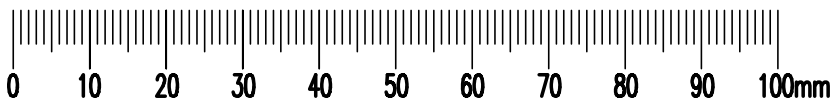
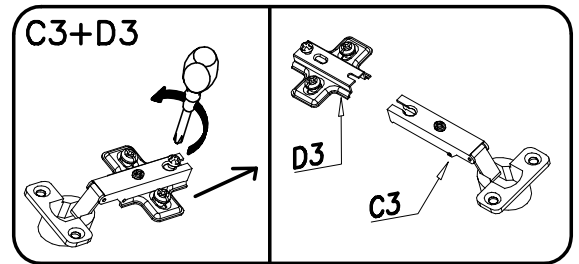
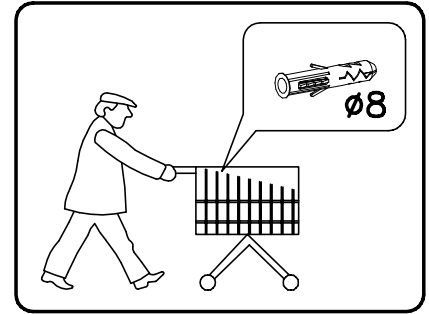
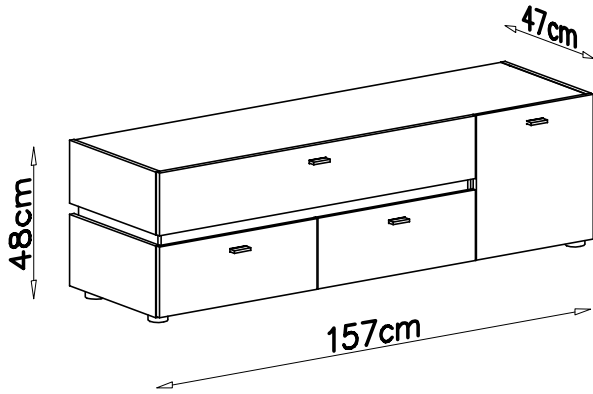
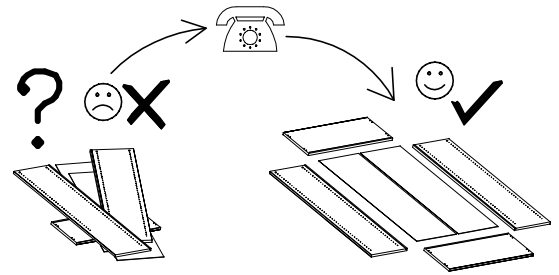
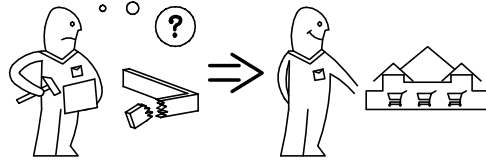
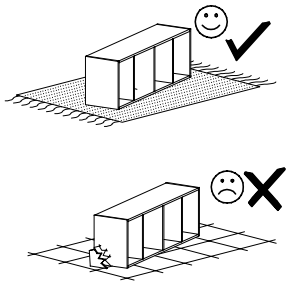



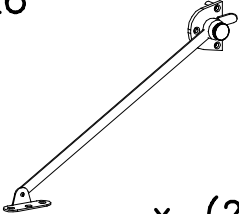


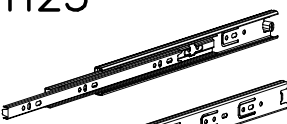
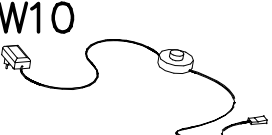


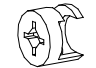

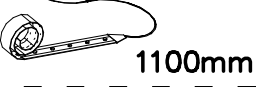


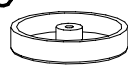

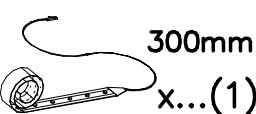
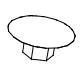
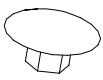
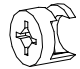


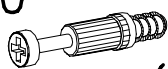
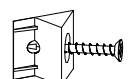
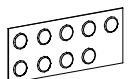
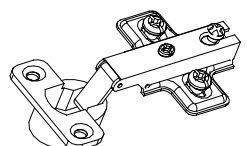
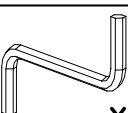


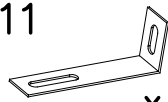


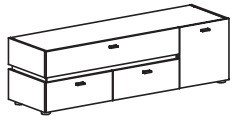
nr	L[mm]	B[mm]	T[mm]	Menge	Colli
1	1568	450	16	1	4/7
2	1568	400	16	1	4/7
3	454	451	16	1	3/7
4	421	400	16	1	3/7
5	196	451	16	1	3/7
6	223	451	16	1	3/7
7	1142	400	16	1	3/7
8	1142	450	16	1	3/7
9	157	328	16	1	3/7

nr	L[mm]	B[mm]	T[mm]	Menge	Colli
10	176	400	16	1	3/7
11	1126	56	16	1	3/7
12	419	56	16	1	3/7
13	1109	56	16	1	3/7
14	1156	179	3	1	4/7
15	1156	198	3	1	4/7
16	443	424	3	1	3/7
17	1161	196	16	1	4/7
18	430	451	16	1	3/7

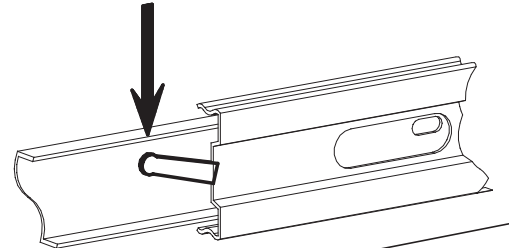
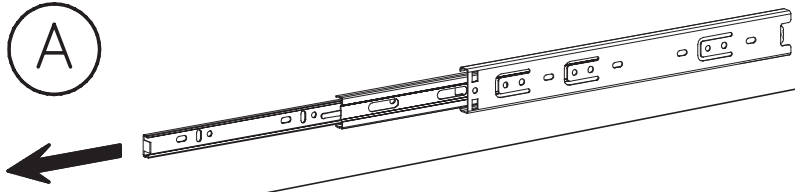
nr	L[mm]	B[mm]	T[mm]	Menge	Colli
19	579	220	16	1	3/7
20	579	220	16	1	3/7
21	300	100	12	2	4/7
22	515	100	12	2	4/7
23	300	100	12	2	4/7
24	525	301	3	2	3/7
BESCHLAGE					1/7
LED					7/7



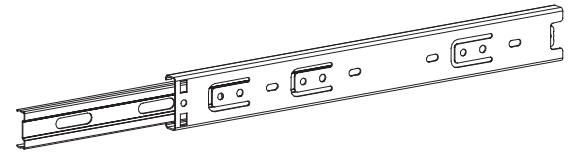
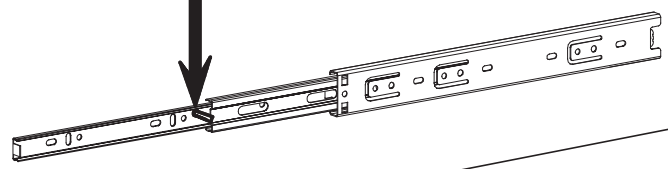
S2  x...(3)	L6  x...(2)	G28  4x100 x...(1)	A6  Ø7x40 x...(8)	H23  H30-300mm x...(2)
W10 	G20  5x13 x...(16)	W1  x...(1)	K4  Ø12x10 x...(4)	G12  4x25 x...(6)
W10-1100  1100mm	E87  32mm x...(4)	G8  4x30 x...(8)	P20  x...(6)	G12  4x25 x...(6)
W10-300  300mm x...(1)	I9  Ø12 x...(26)	I7  Ø18 x...(22)	K1  Ø15x12 x...(22)	I18  time your style x...(1)
A1  Ø7x50 x...(26)	K10  25mm x...(26)	I1  x...(9)	W3  x...(9)	C3+D3 
W2  x...(1)	B1  Ø8x35 x...(36)	G34  3,5x16 x...(52)	M11  x...(1)	Z35PR x...(5)



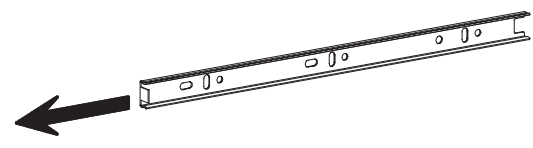
A



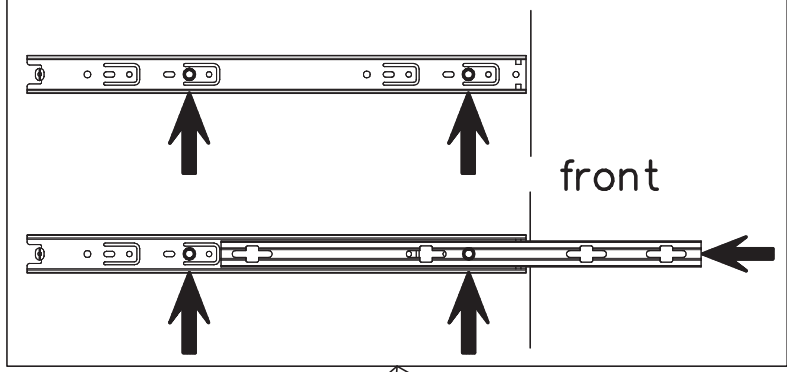
B



C



I

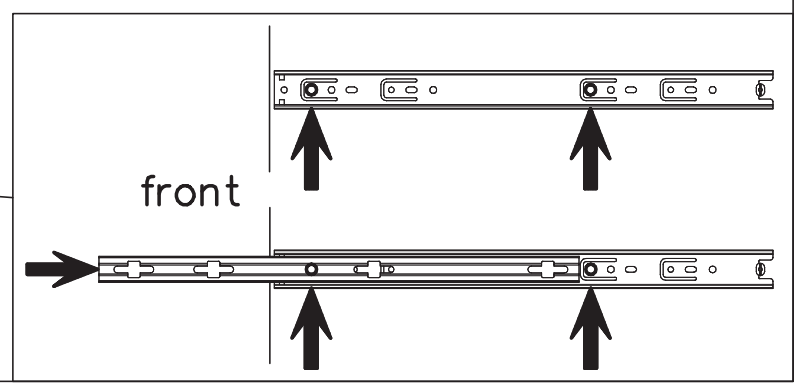
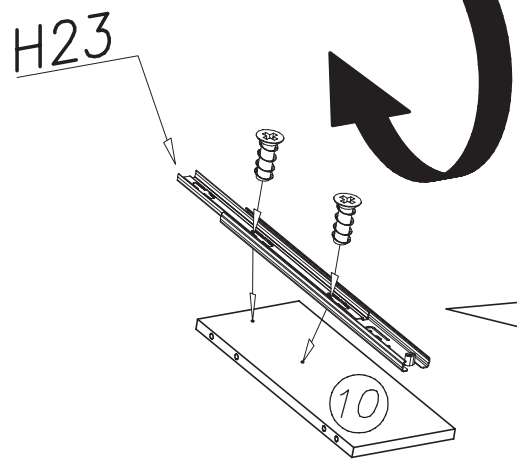
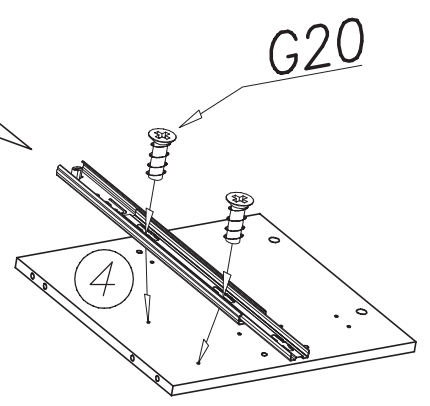
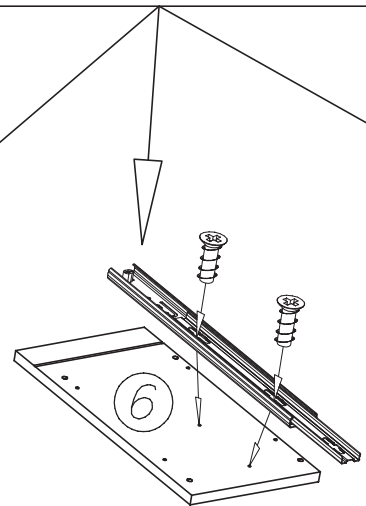
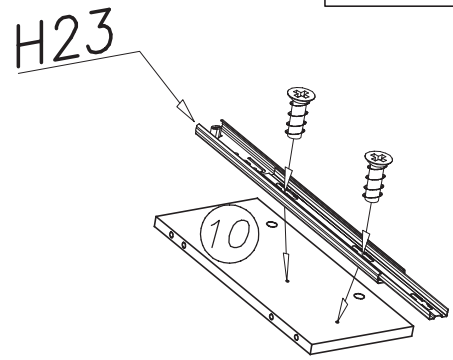


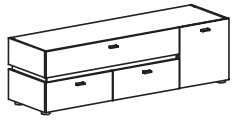
H23

H30-300mm x...(2)

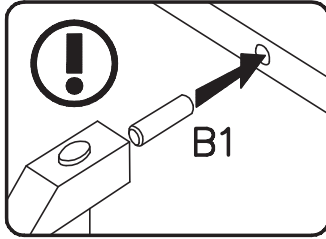
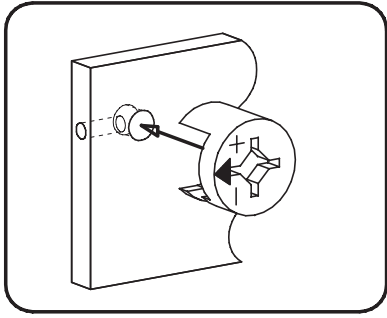
G20

5x13 x...(8)





II

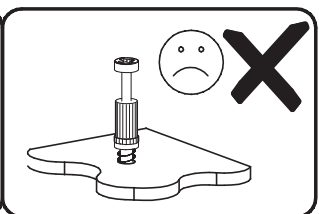
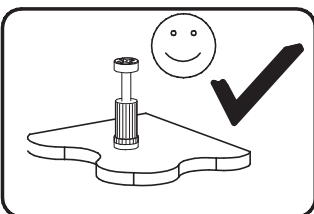
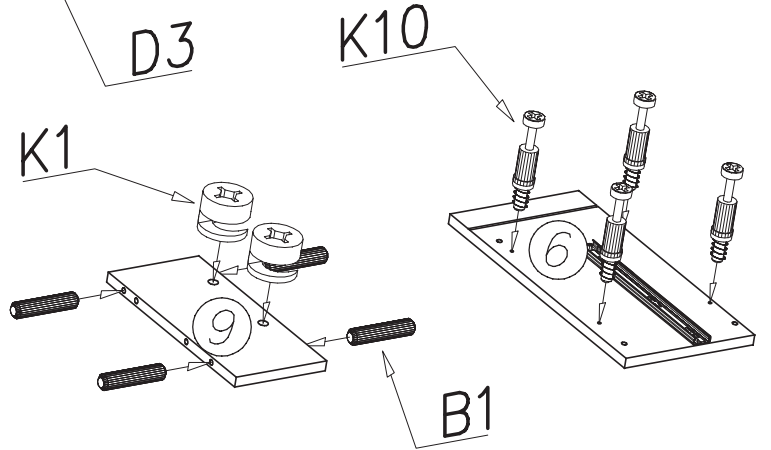
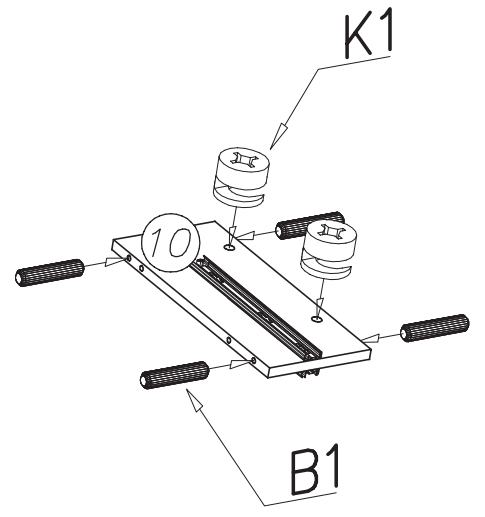
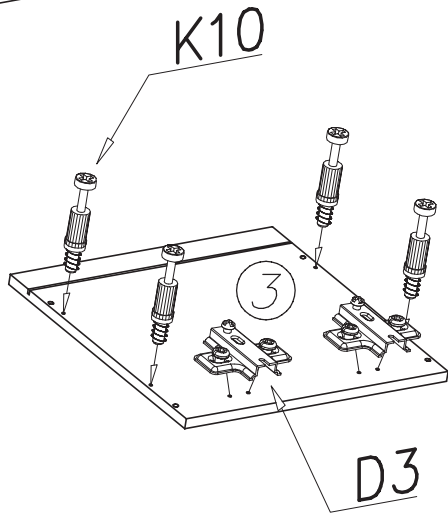
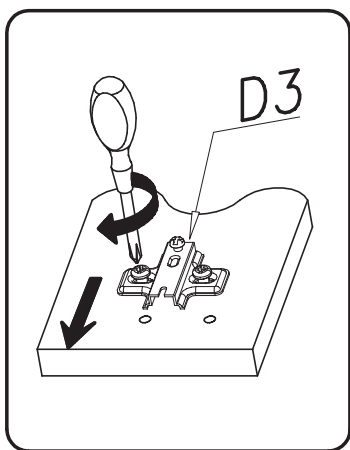
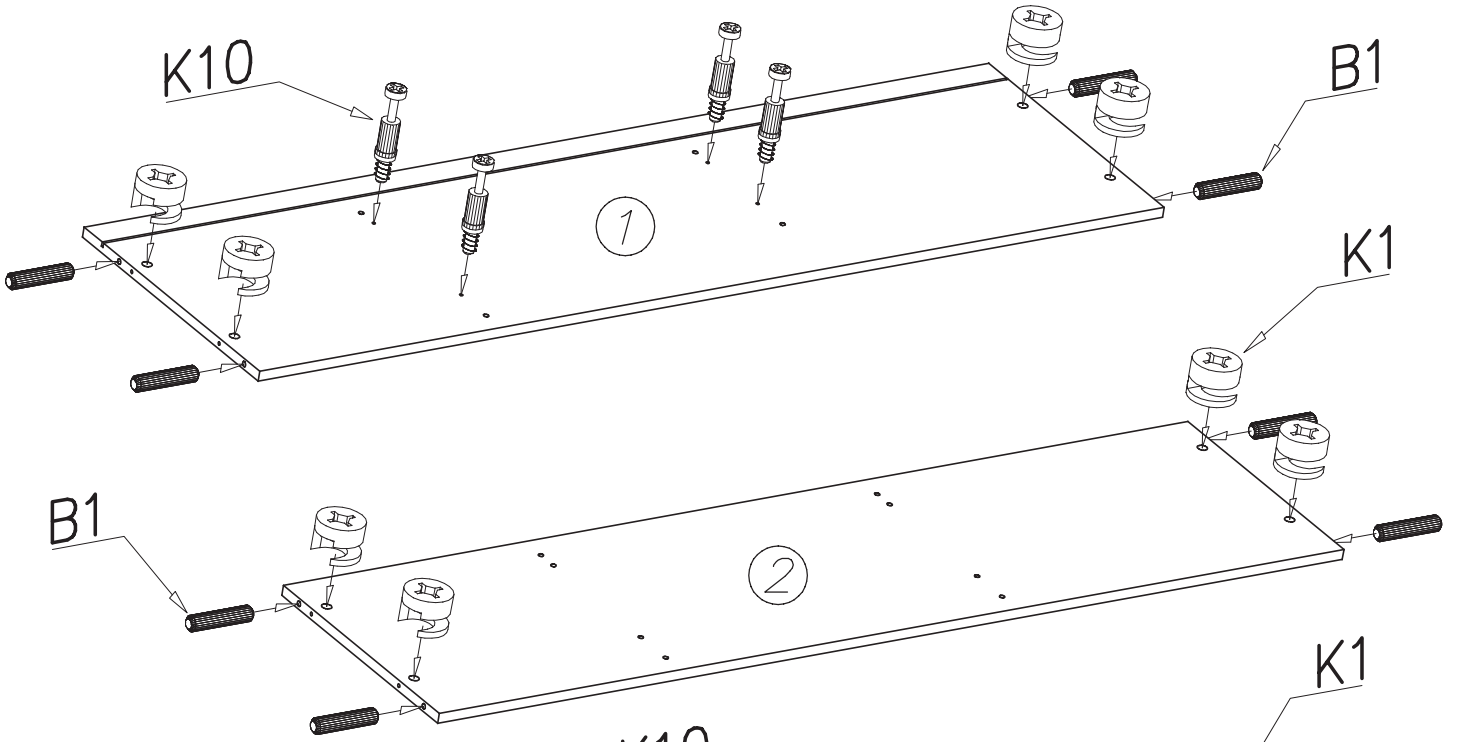


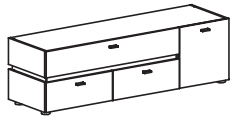
K10
25mm x...(12)

D3
x...(2)

K1
Ø15x12 x...(12)

B1
Ø8x35 x...(16)





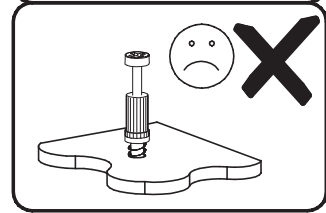
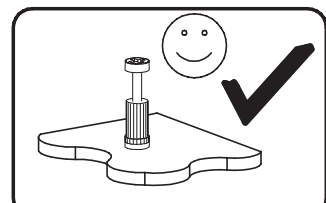
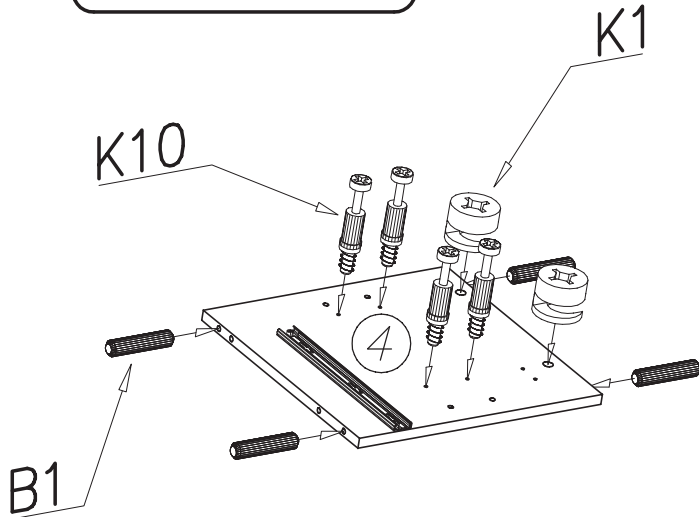
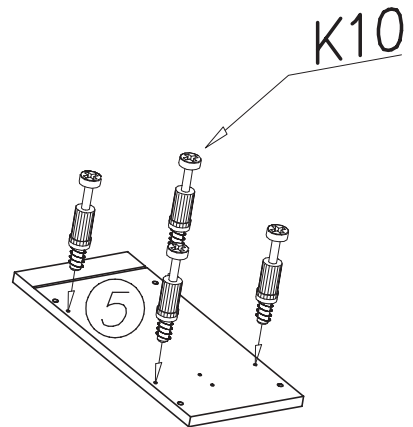
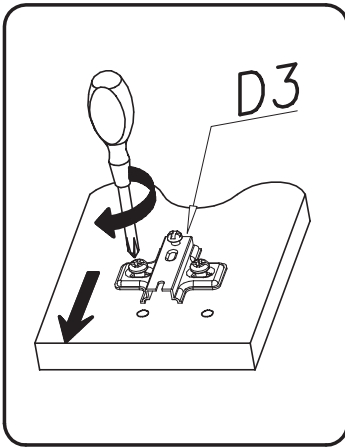
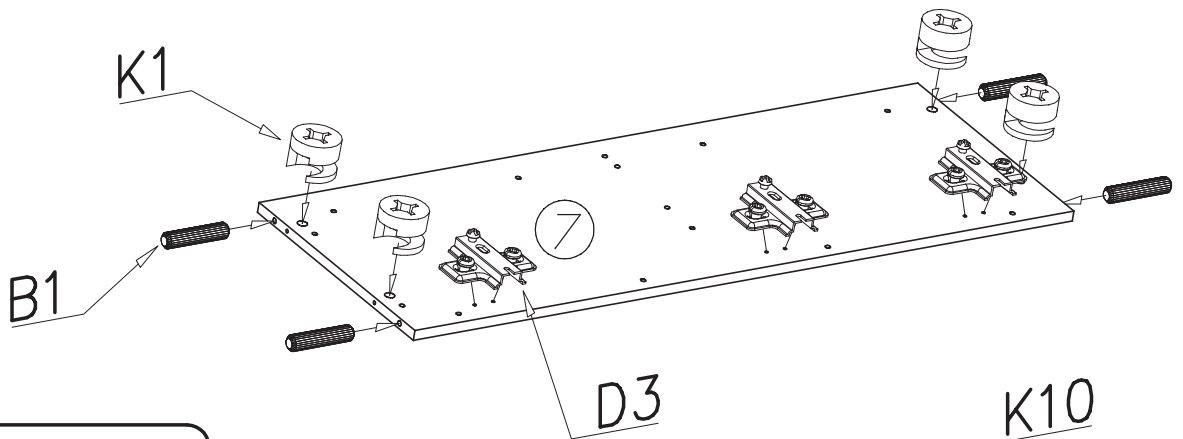
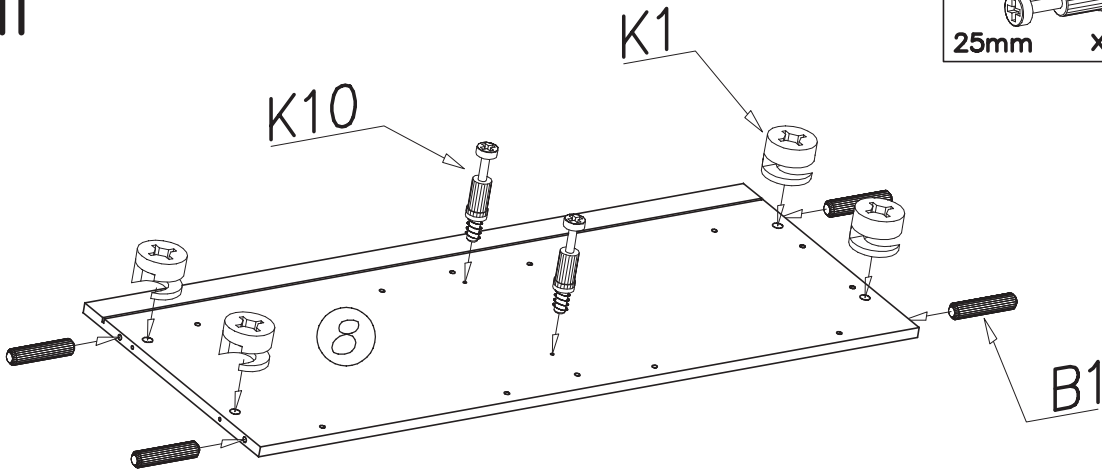
III

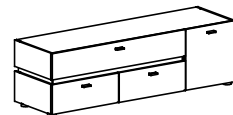
K10
25mm x...(10)

D3
x...(3)

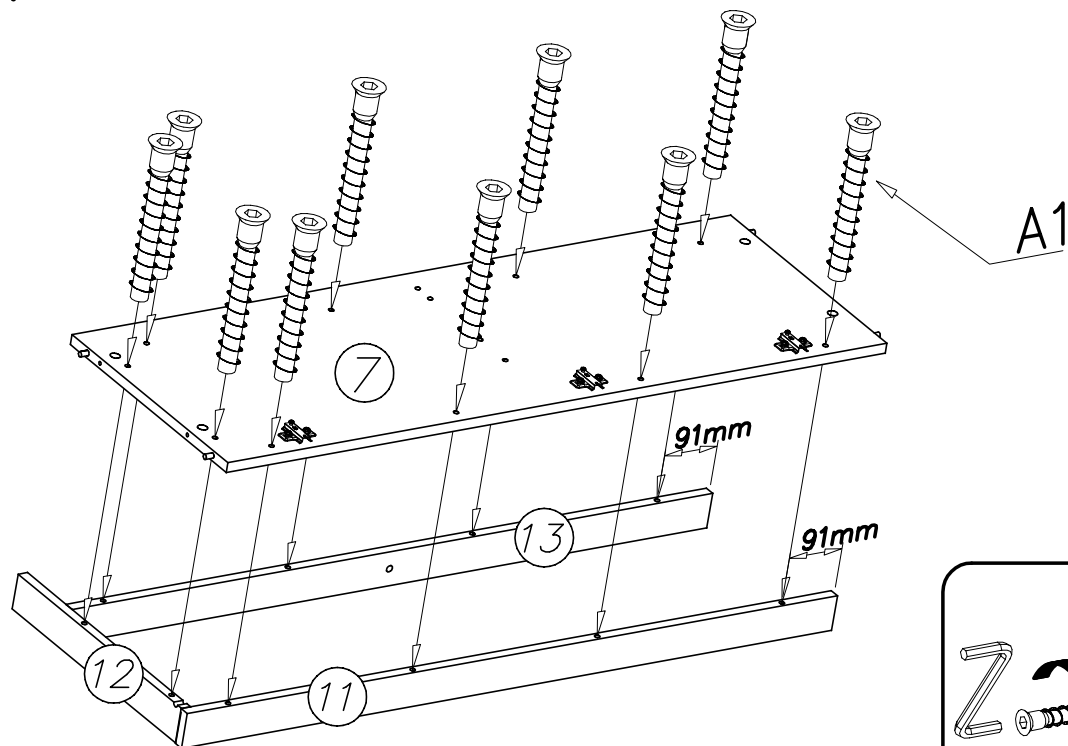
K1
Ø15x12 x...(10)


B1
Ø8x35 x...(12)

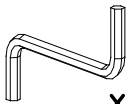


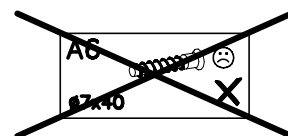


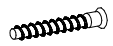
IV

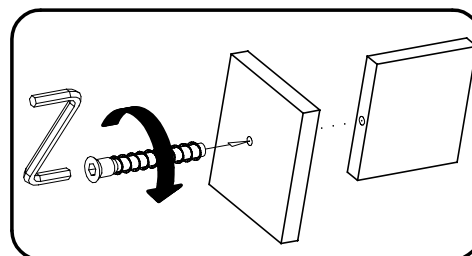


A1 
 ø7x50 x...(10)

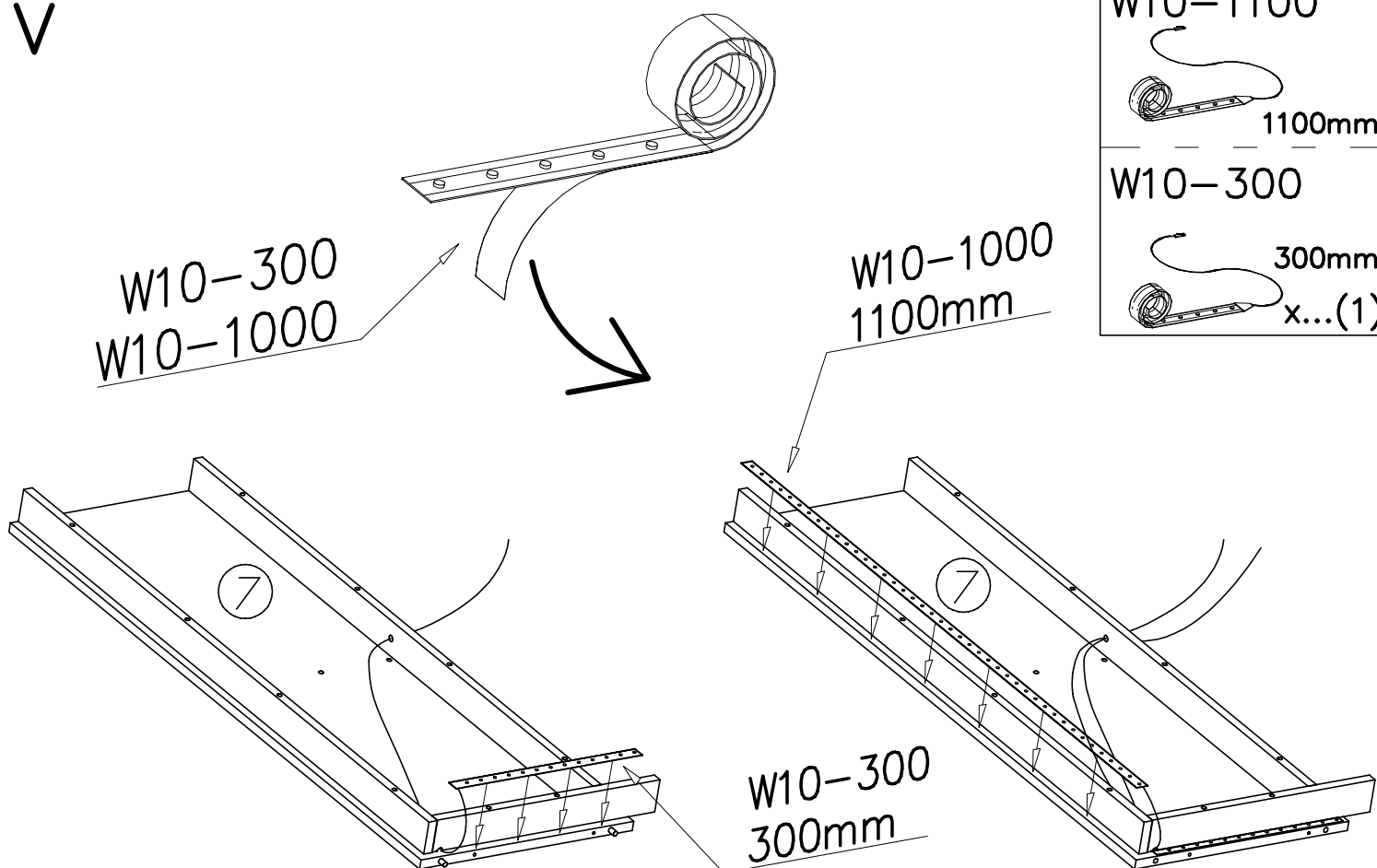
W2 
 x...(1)

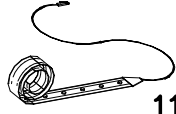


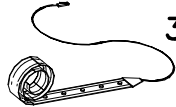
A1 
 ø7x50 ✓



V



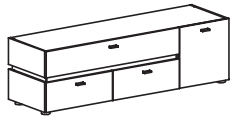
W10-1100

 1100mm

W10-300

 300mm
 x...(1)

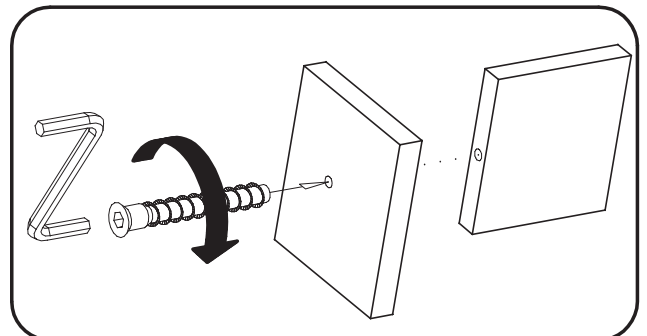
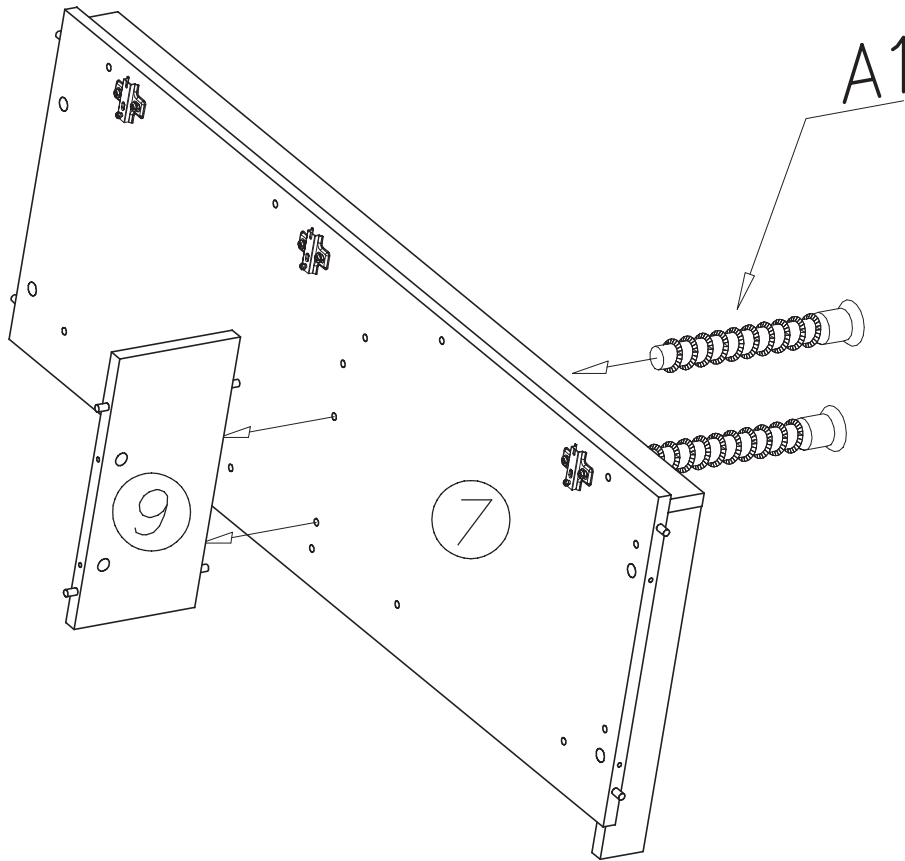
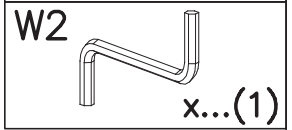
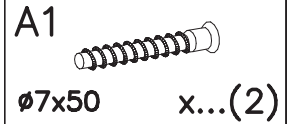
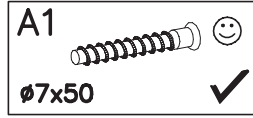
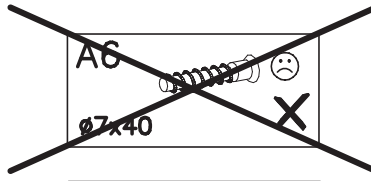
W10-300
 W10-1000

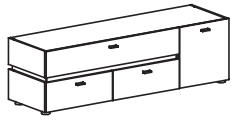
W10-1000
 1100mm

W10-300
 300mm

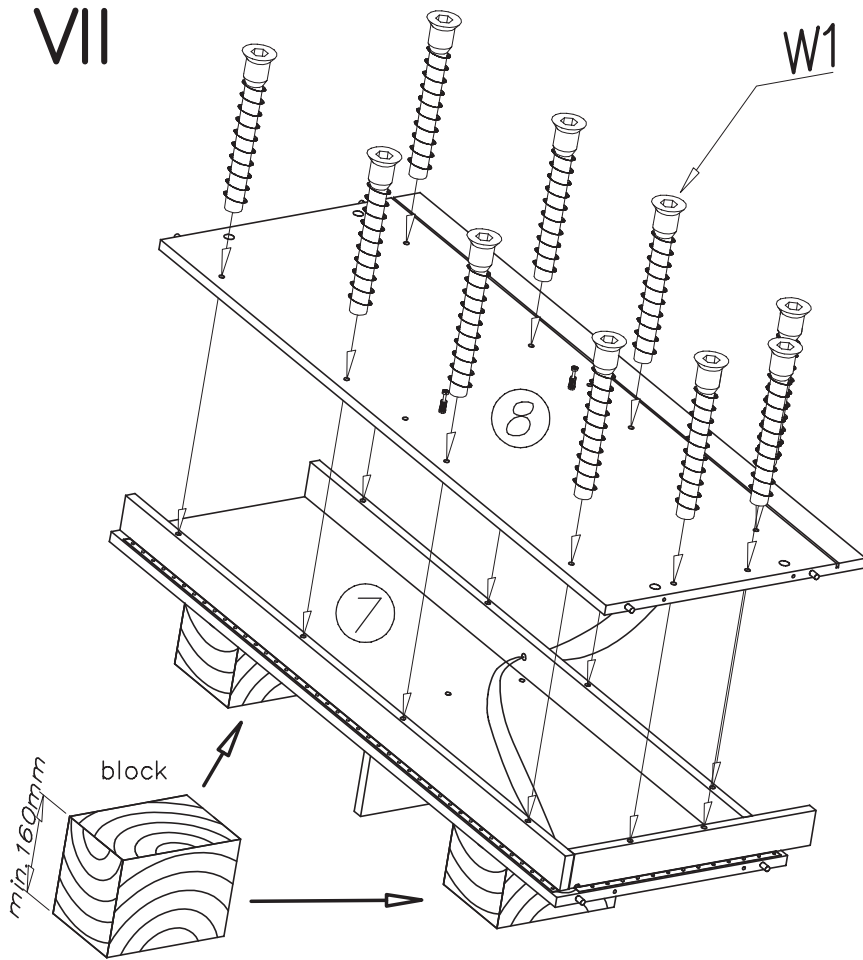


VI



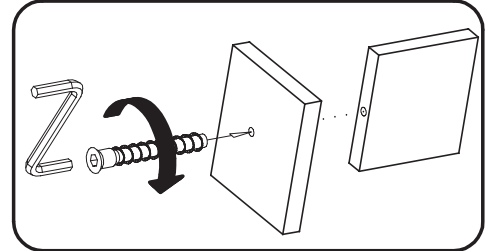
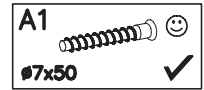
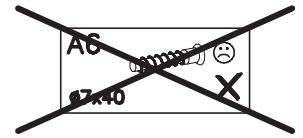


VII

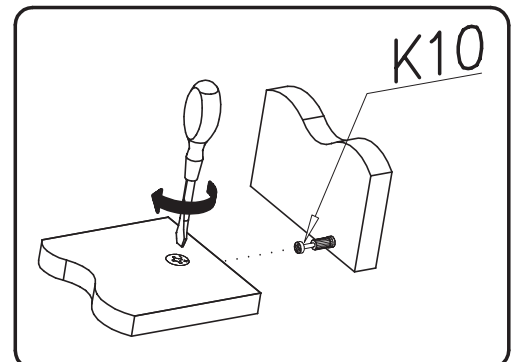
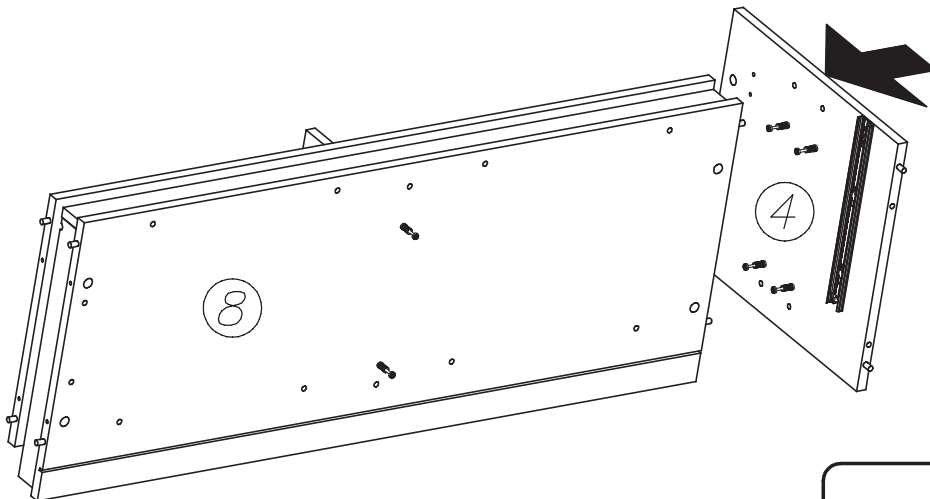


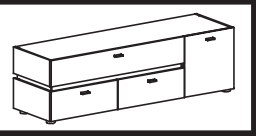
A1 $\phi 7 \times 50$ x...(10)

W2 x...(1)

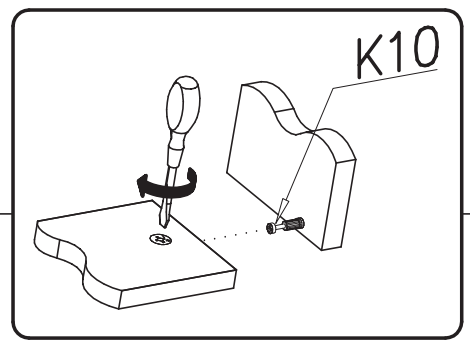
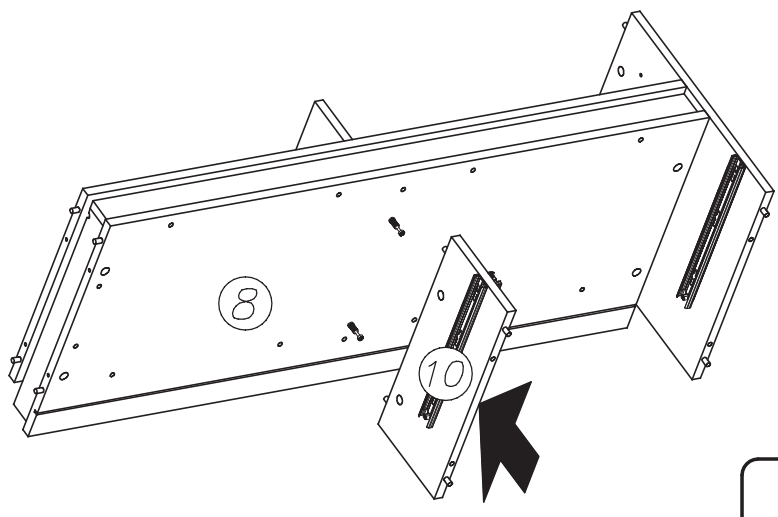


VIII

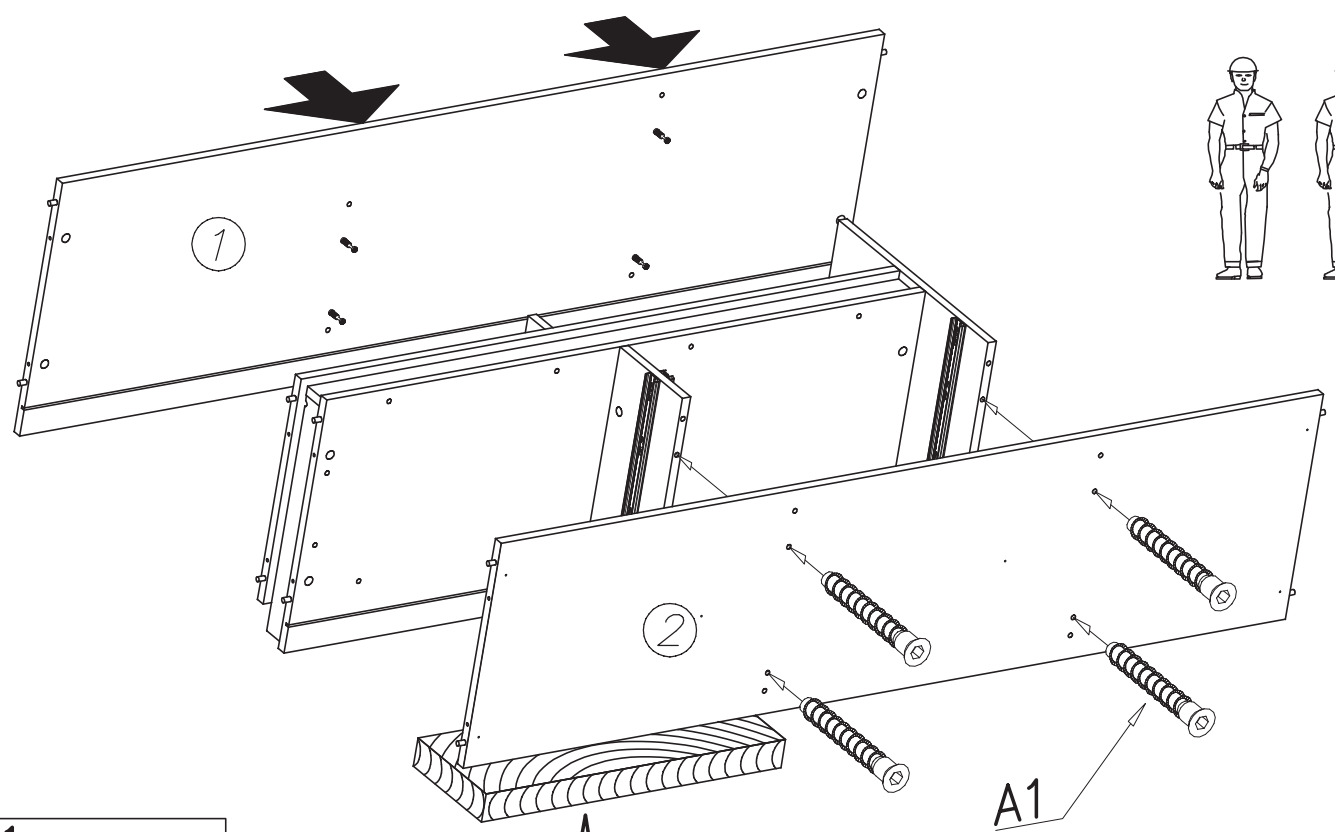



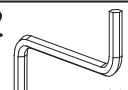


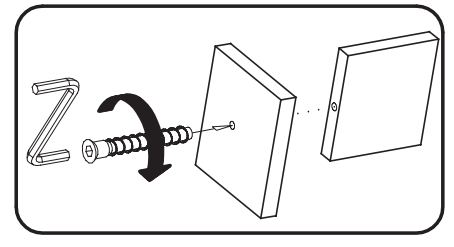
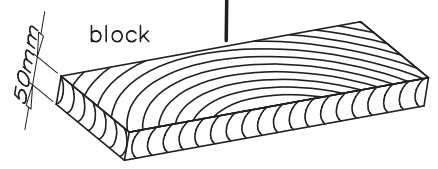
IX

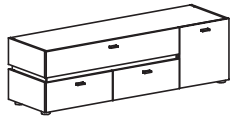


X

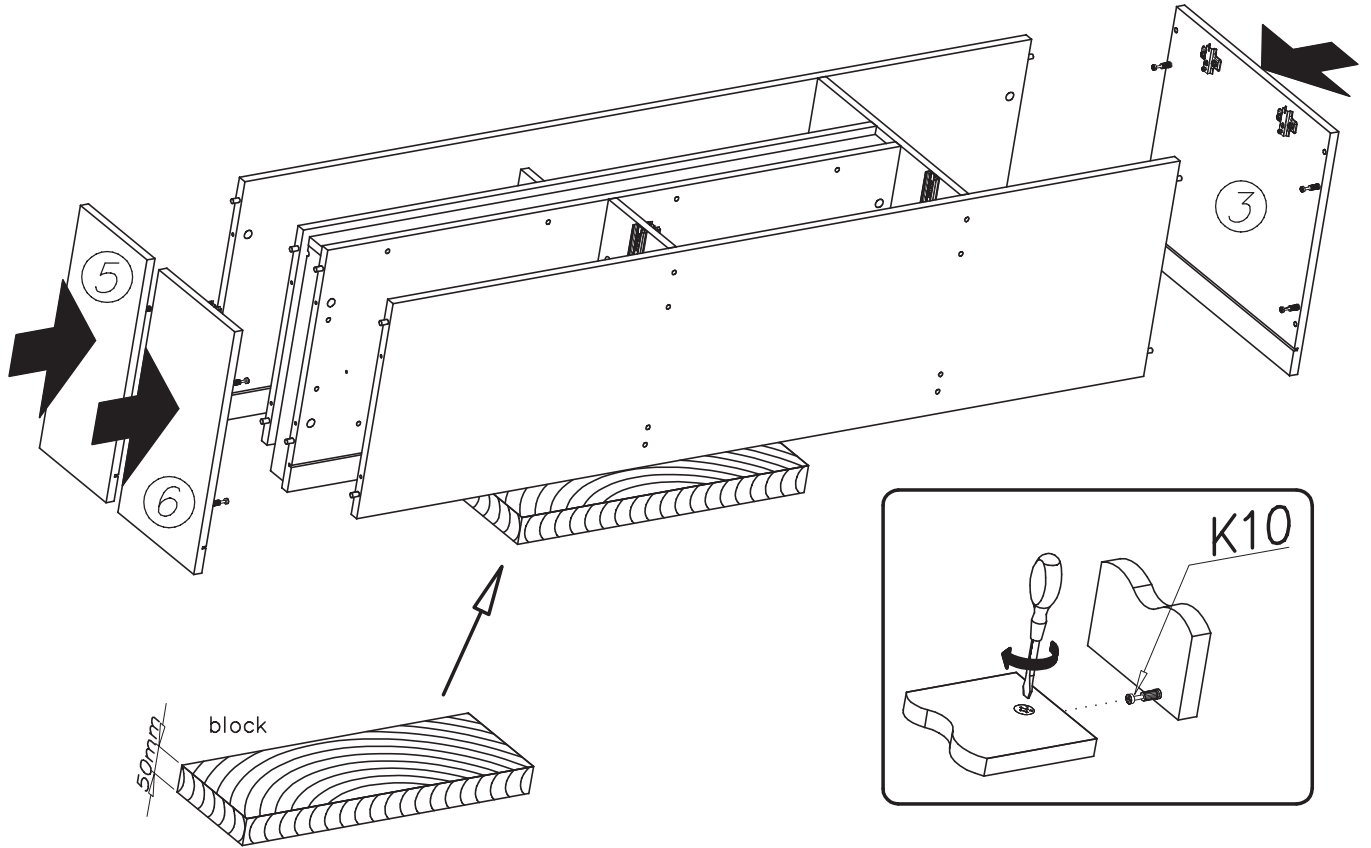


- A1  $\varnothing 7 \times 50$ x...(4)
- W2  x...(1)

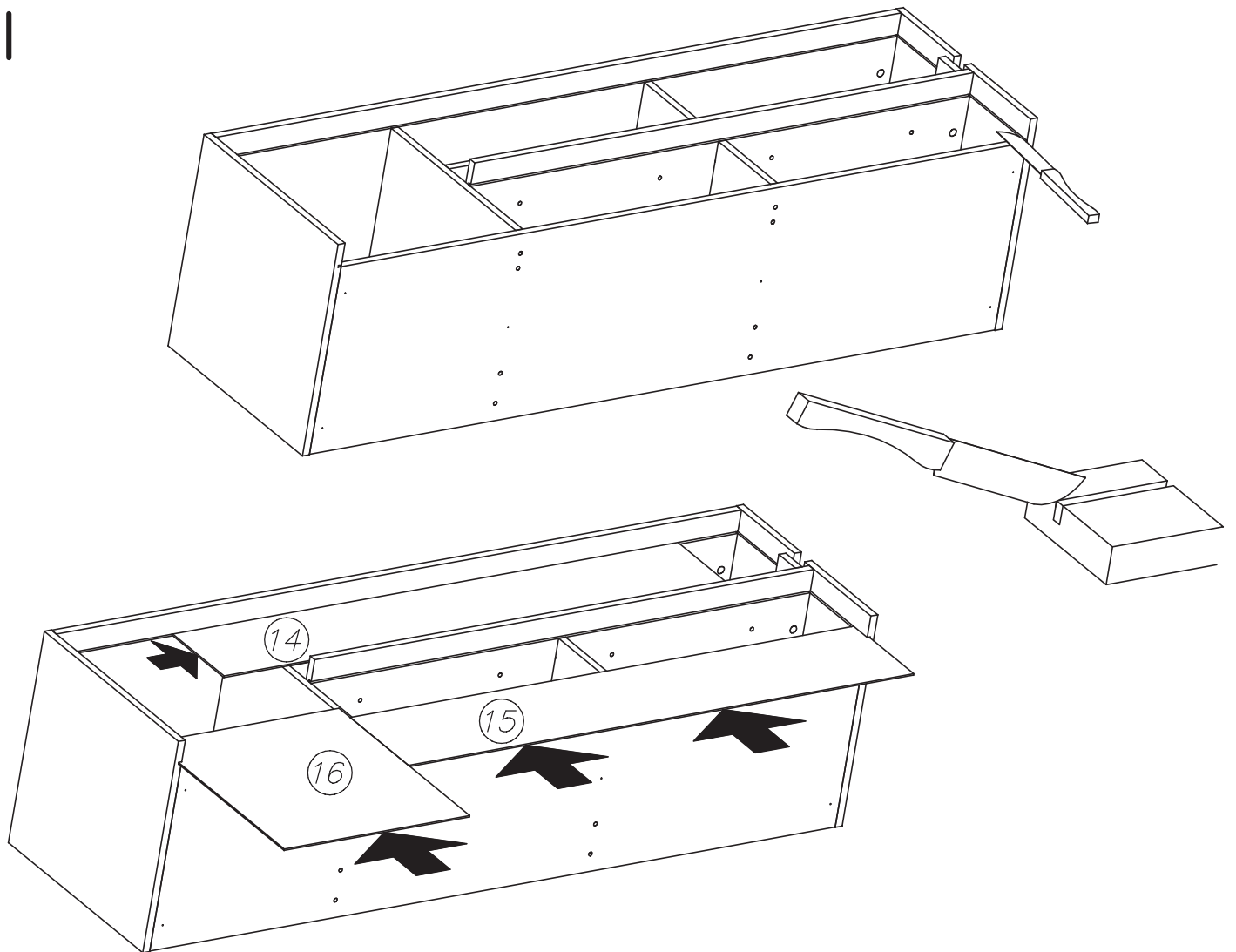


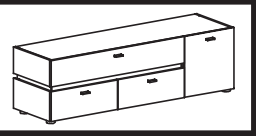


XI

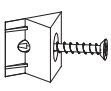



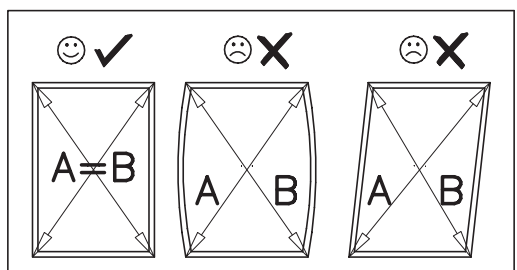
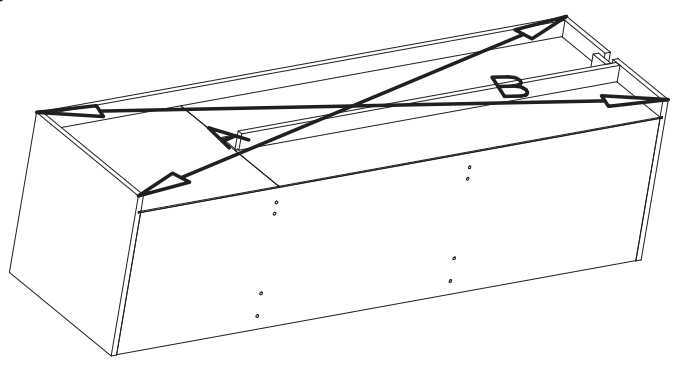
XII



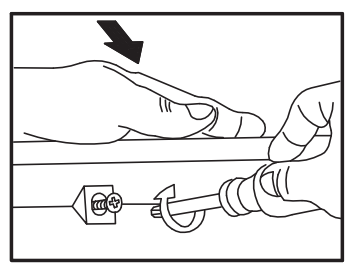
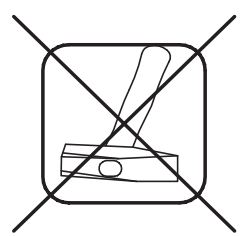
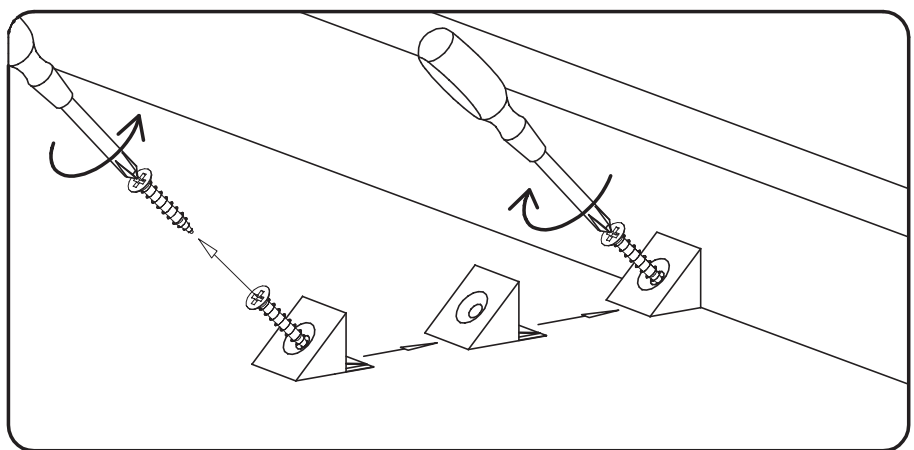
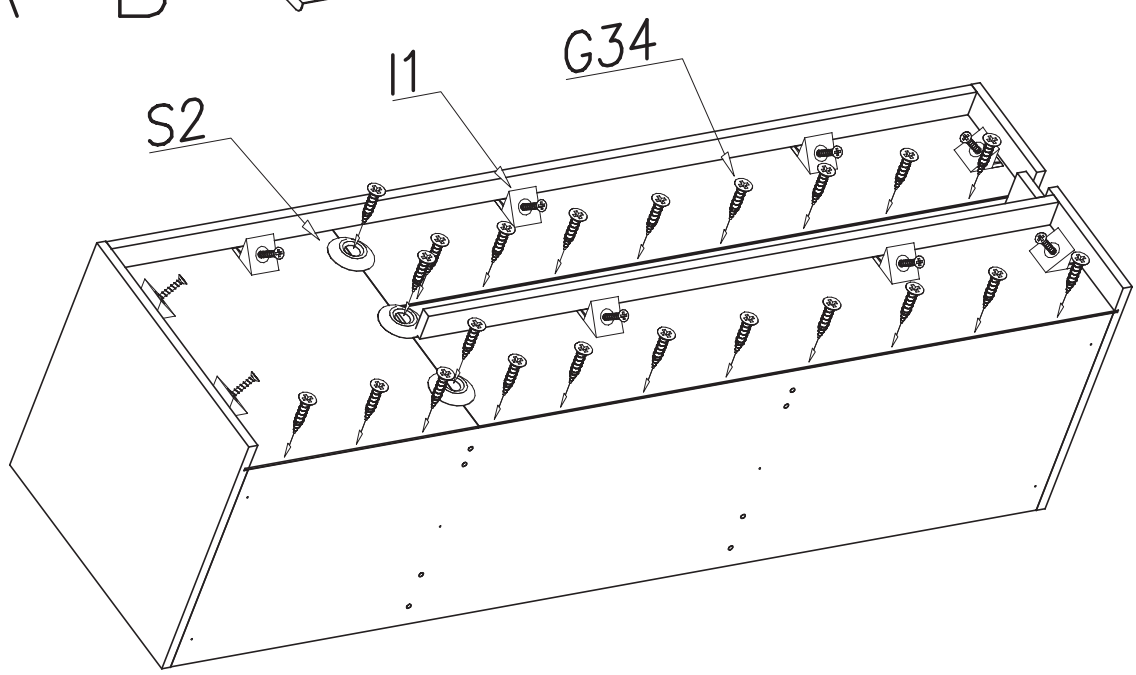
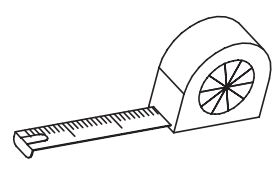


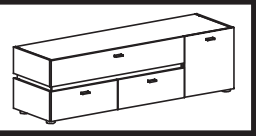
XIII

- I1  x...(9)
- G34  3,5x16 x...(26)

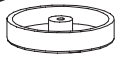



A=B

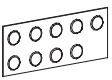


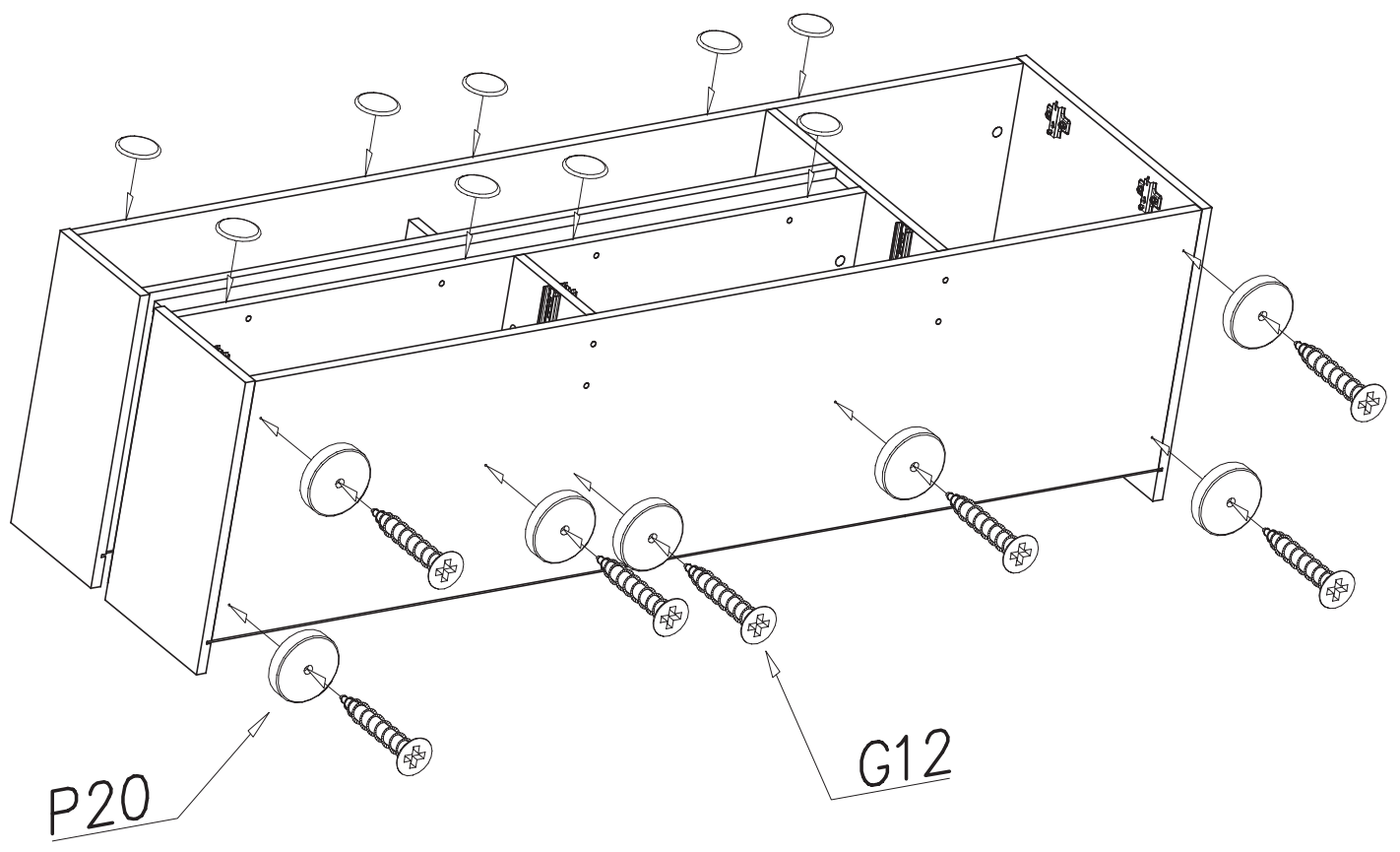


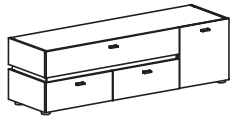
XIV

P20

x...(6)

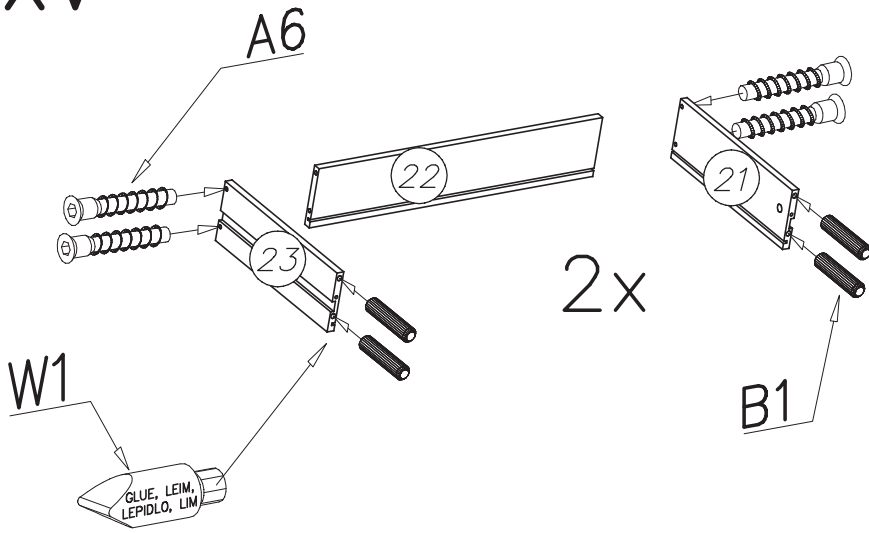
G12

4x25 x...(6)

W3

x...(9)





XV



2x

G20		5x13	x...(8)	W1		GLUE, LEIM, LEPIDLO, LIM	x...(1)
E87		32mm	x...(2)	G8		4x30	x...(4)
B1		∅8x35	x...(8)	H23		H30-300mm	x...(2)
K4		∅12x10	x...(4)	A6		∅7x40	x...(8)

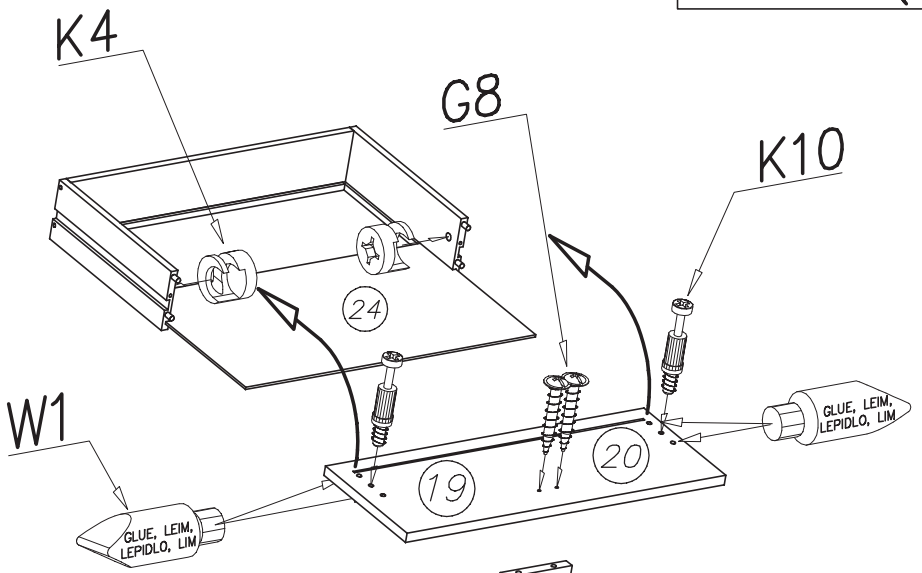
K4

∅12x10 ✓

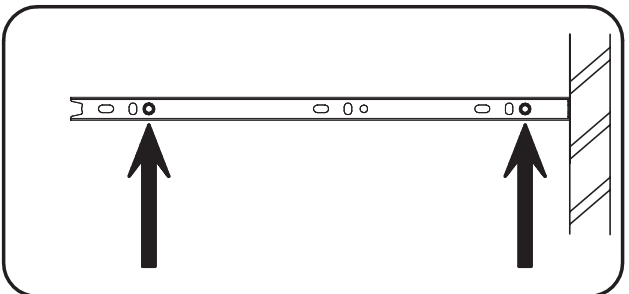
~~K1~~

~~∅15x12 X~~

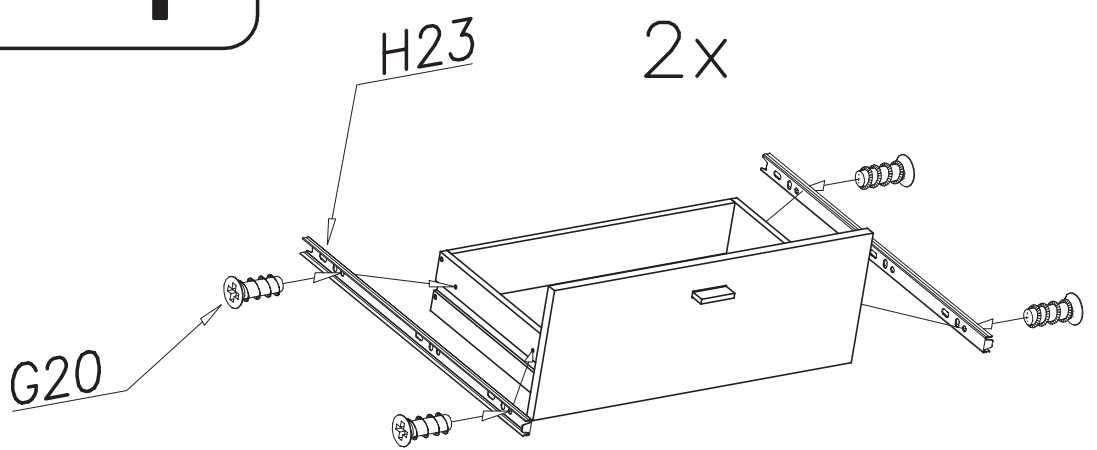
2x

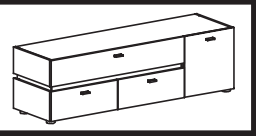


⚠ 2x
19 + 20

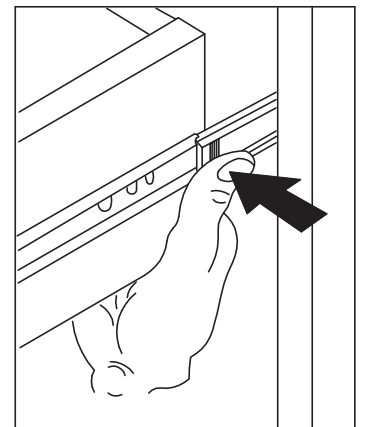
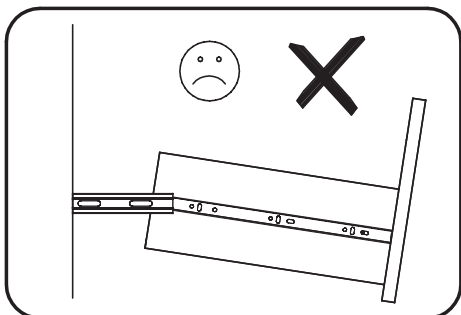
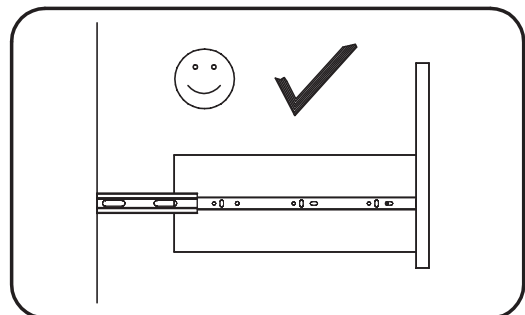
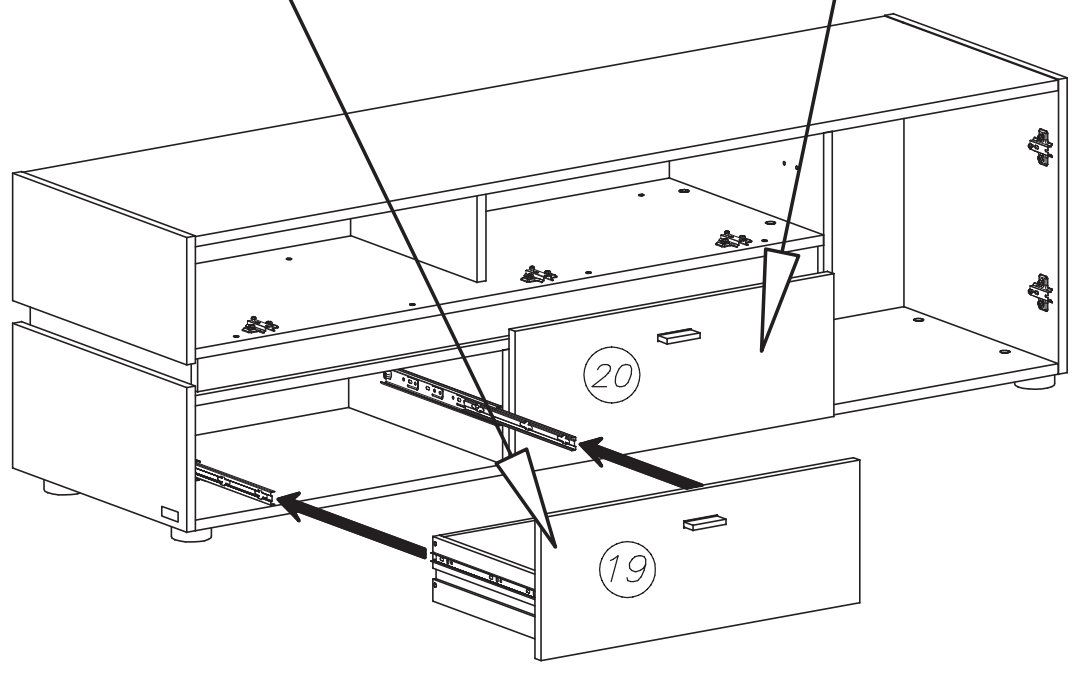
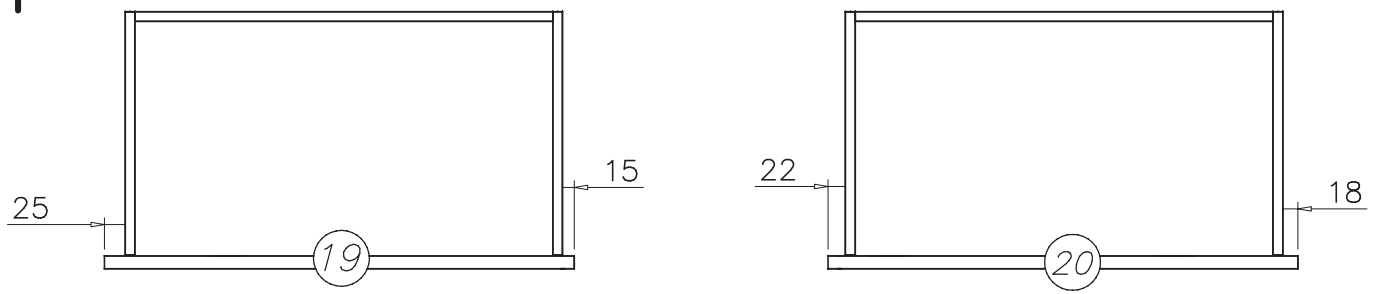


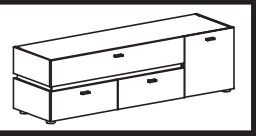
2x



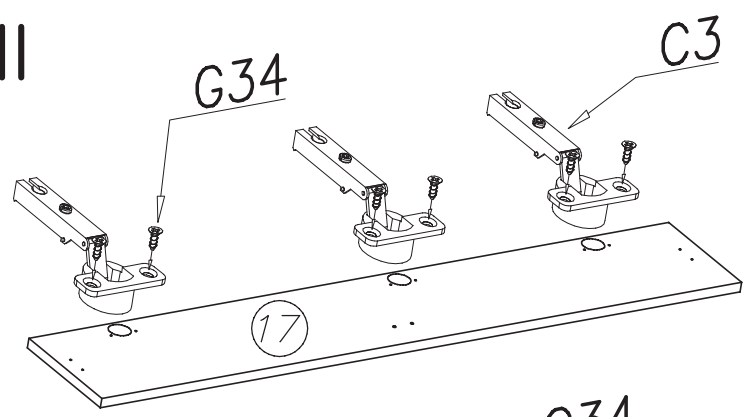



XVI

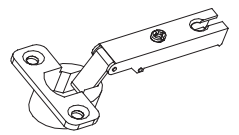


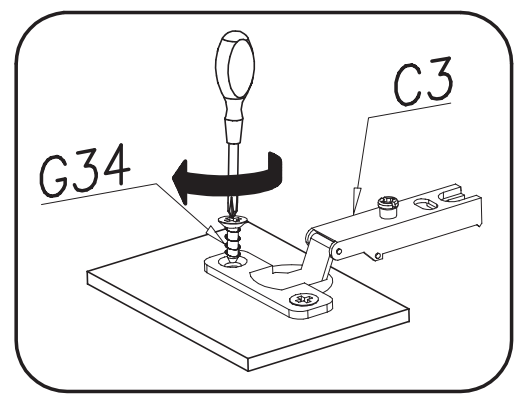
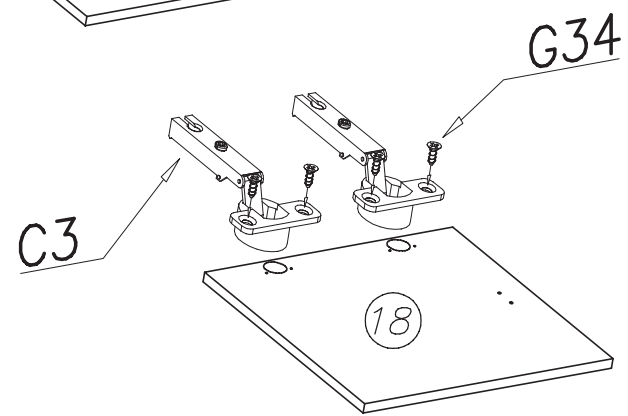


XVII

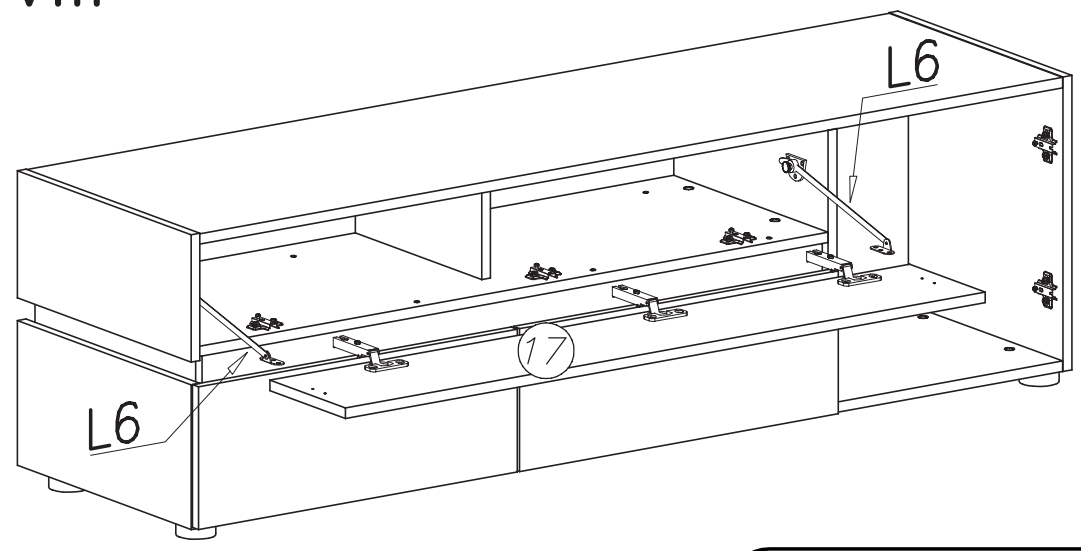


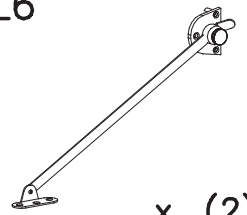
G34 
 3,5x16 x...(10)


C3 
 Z35PR x...(5)

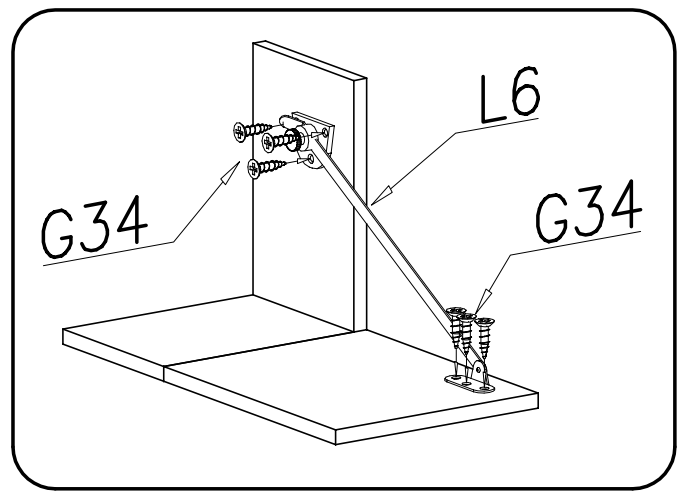
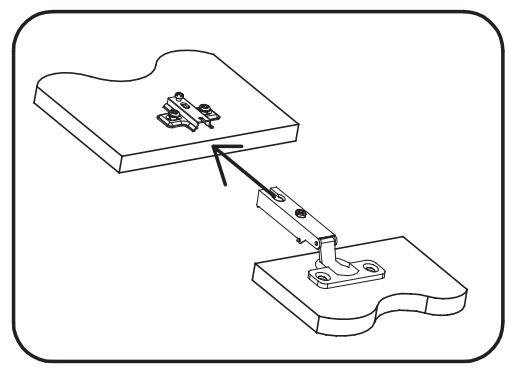


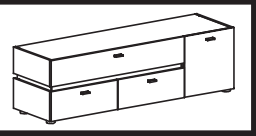
XVIII



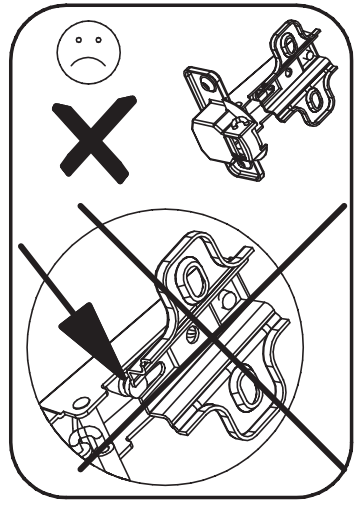
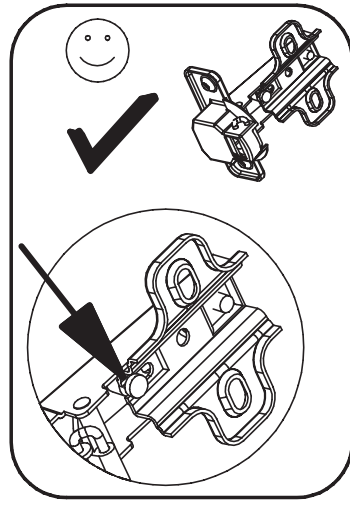
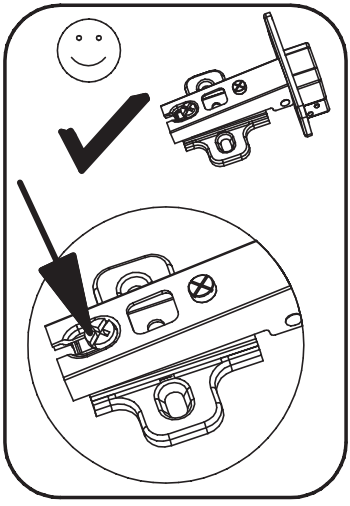
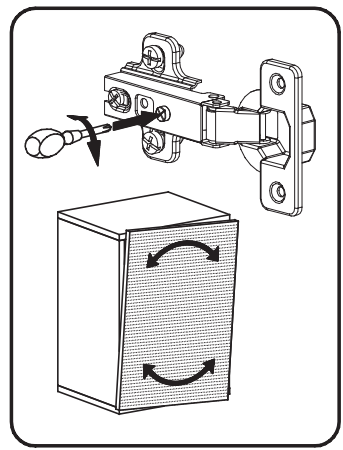
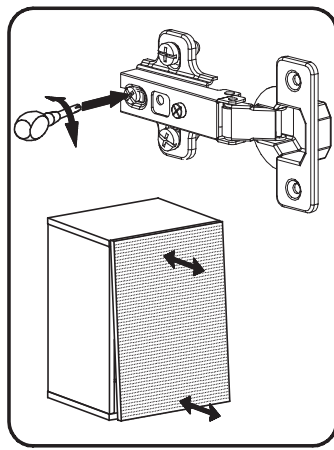
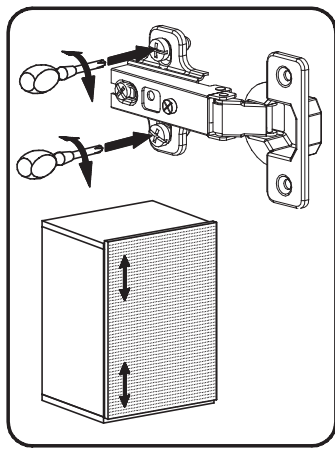
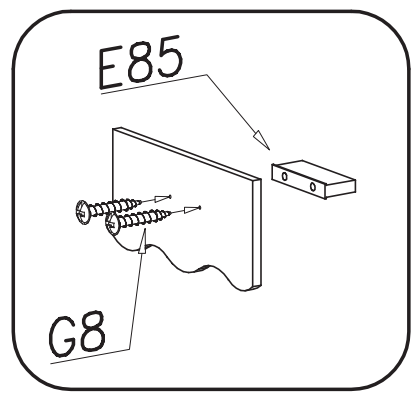
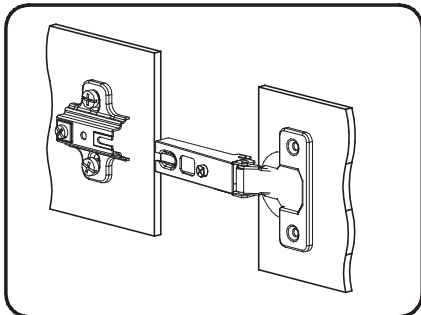
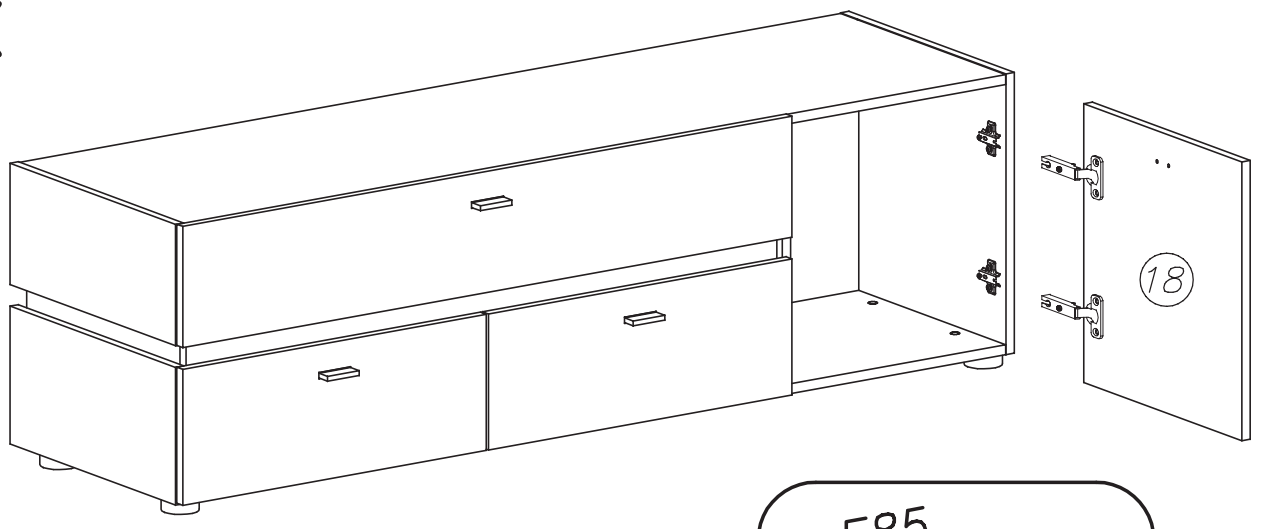
L6 
 x...(2)

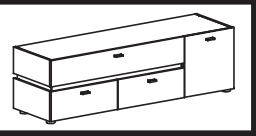
G34 
 3,5x16 x...(12)



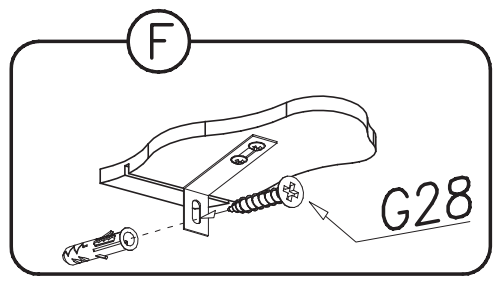
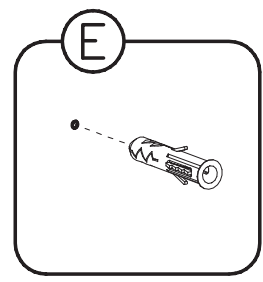
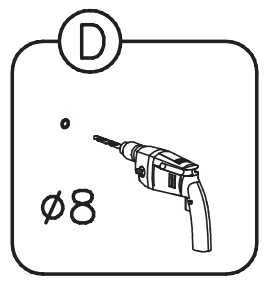
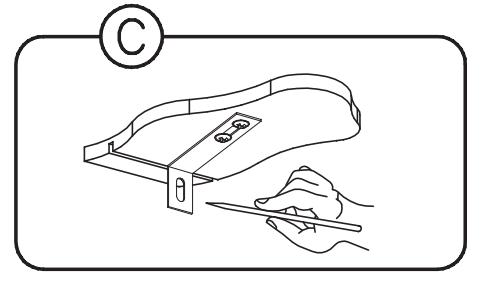
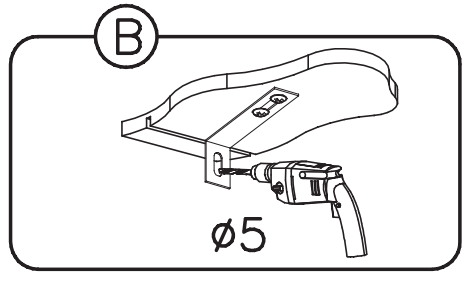
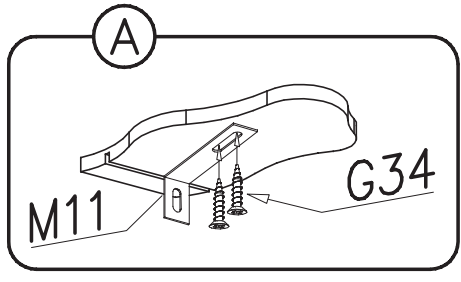


XIX

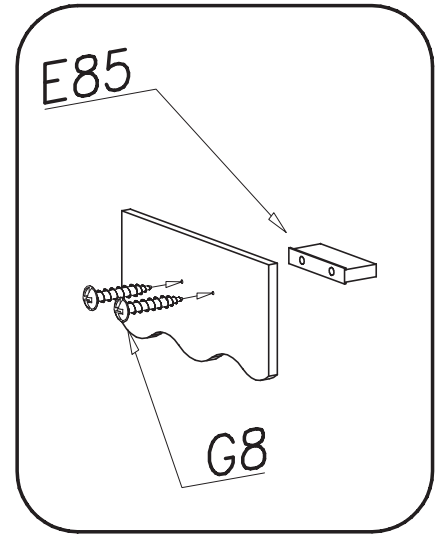
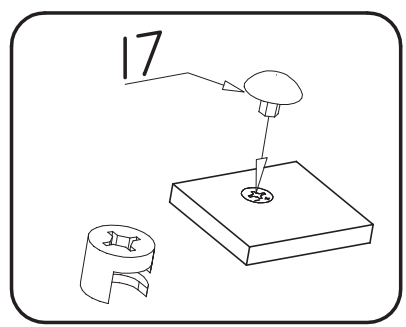
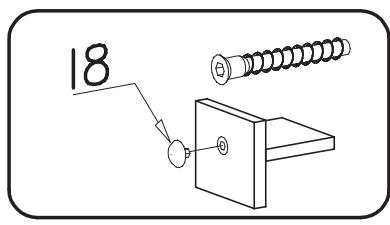
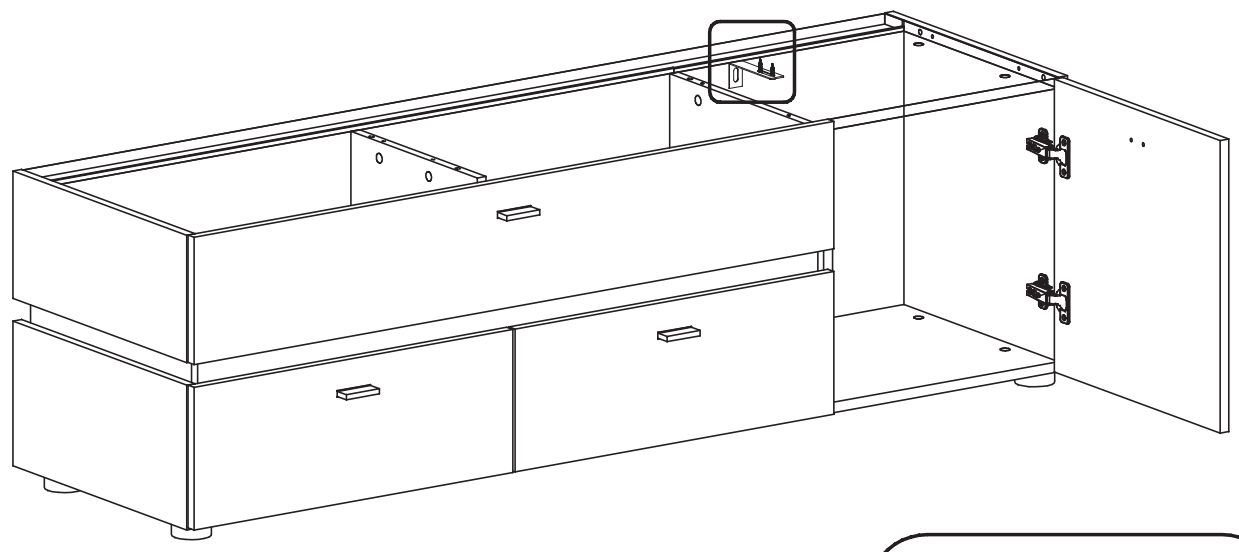


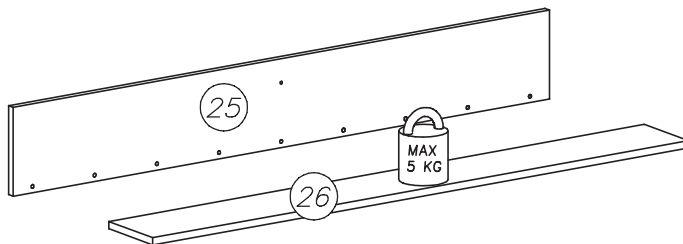
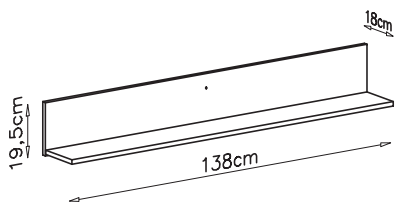
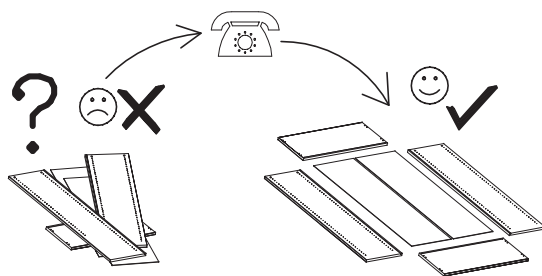
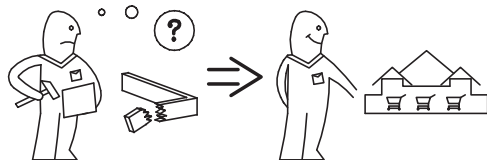
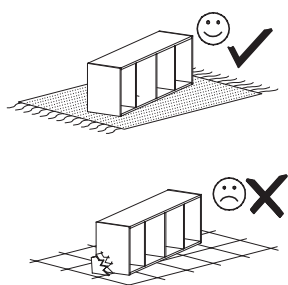


G34 3,5x16 x...(2)	E87 32mm x...(2)	G8 4x30 x...(4)	G28 4x100 x...(1)	I9 ø12 x...(26)	I7 ø18 x...(22)
--------------------------	------------------------	-----------------------	-------------------------	-----------------------	-----------------------

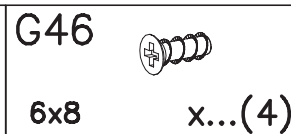
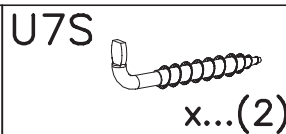
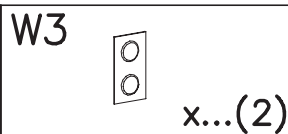
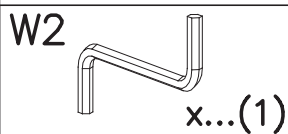
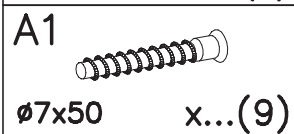
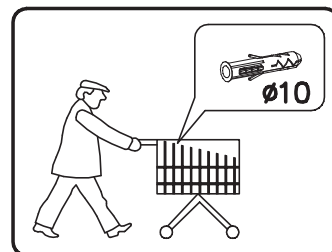
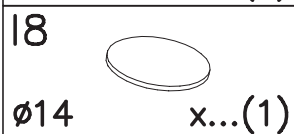
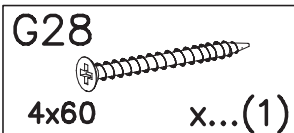


XX

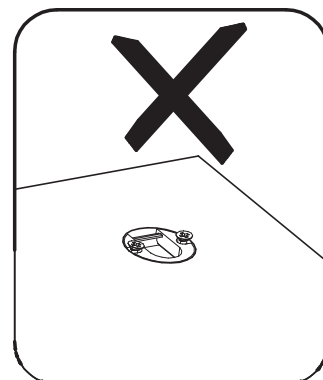
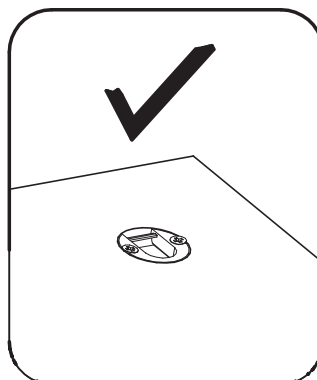
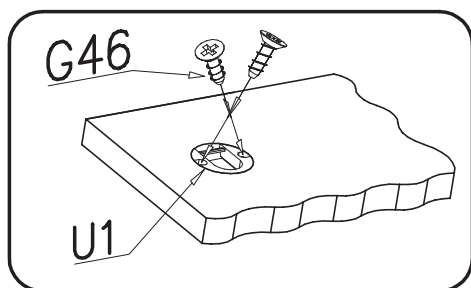
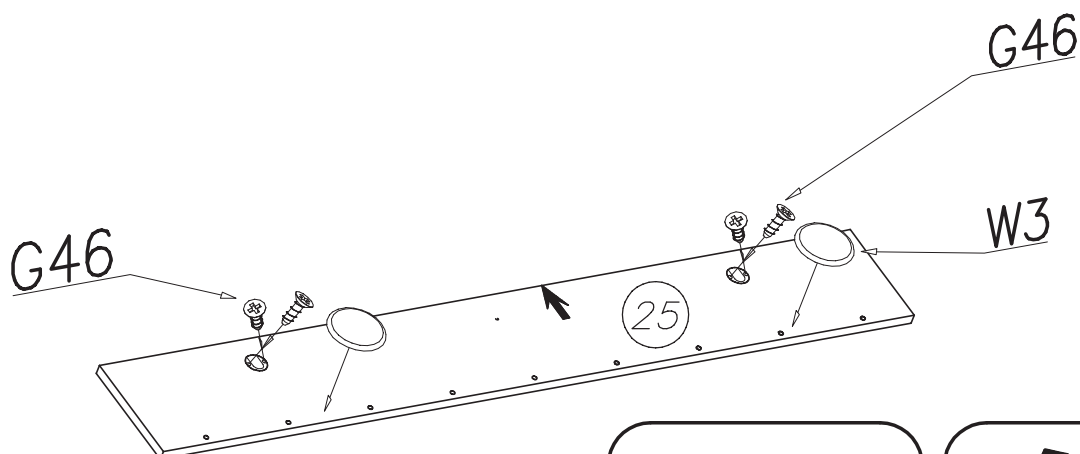


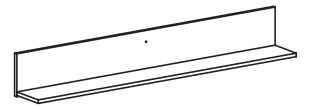


nr	L[mm]	B[mm]	T[mm]	Menge	Colli
25	1380	194	16	1	4/7
26	1374	162	16	1	4/7
BESCHLAGE					1/7

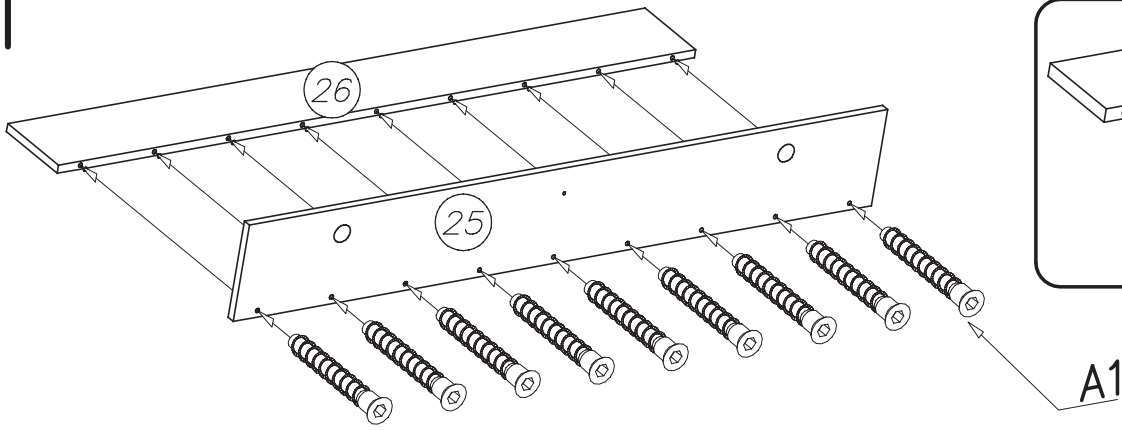


I

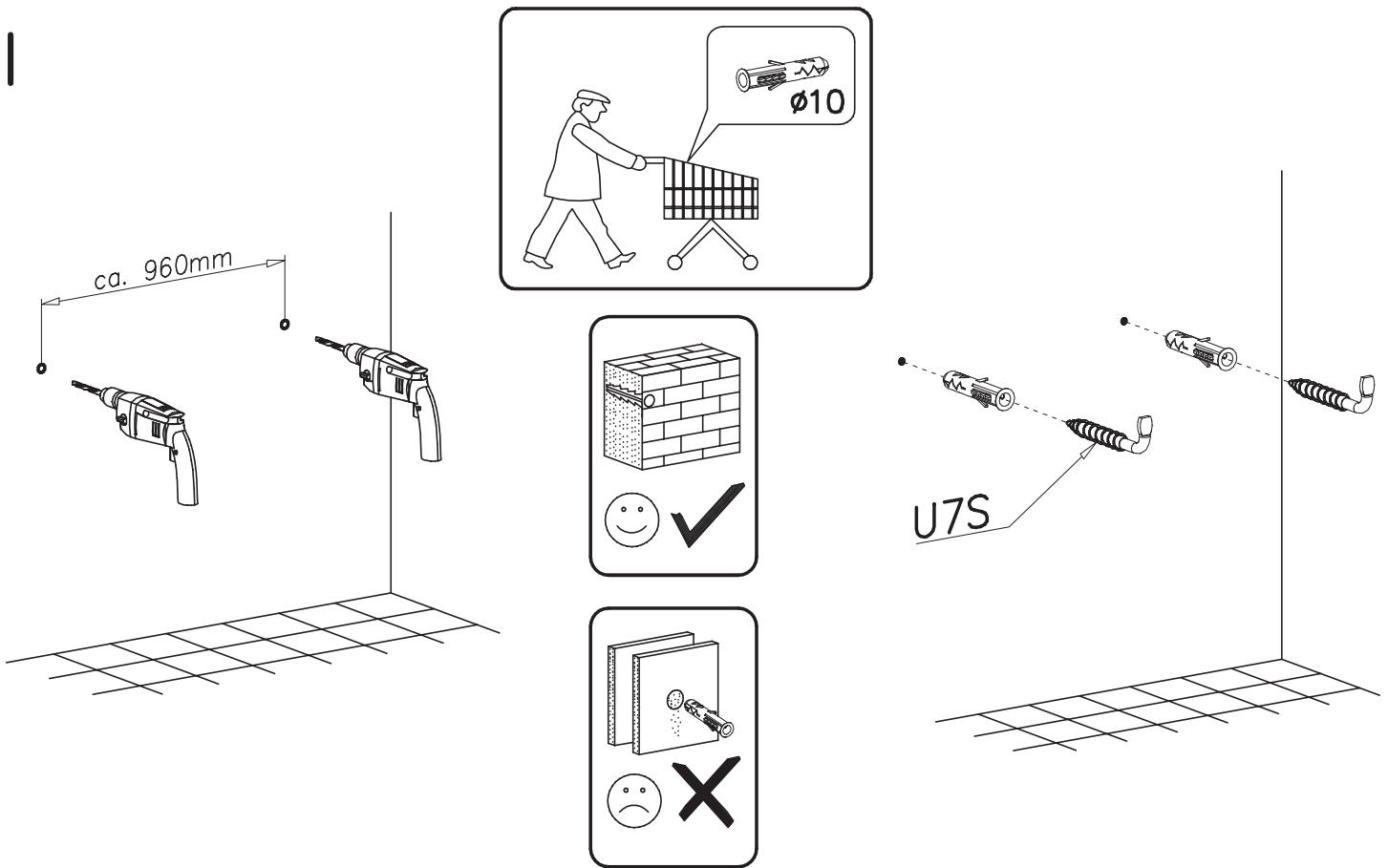




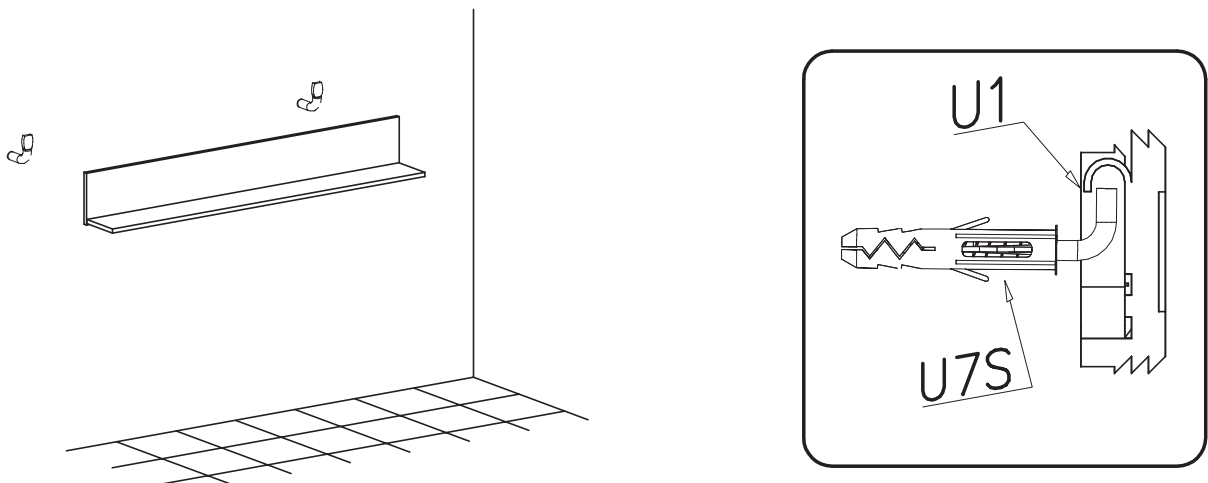
II

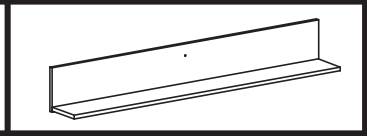


III



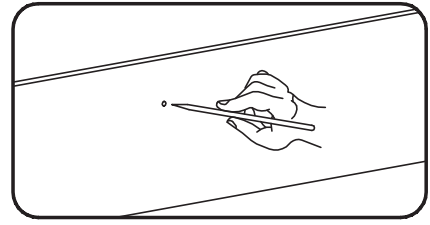
IV



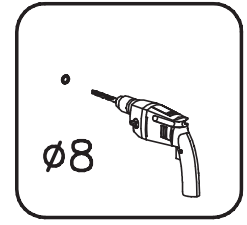


V

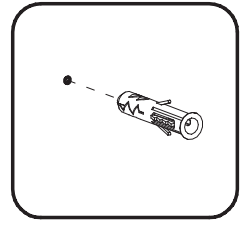
1



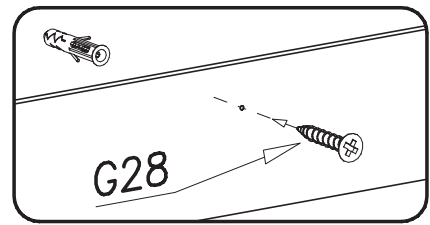
2



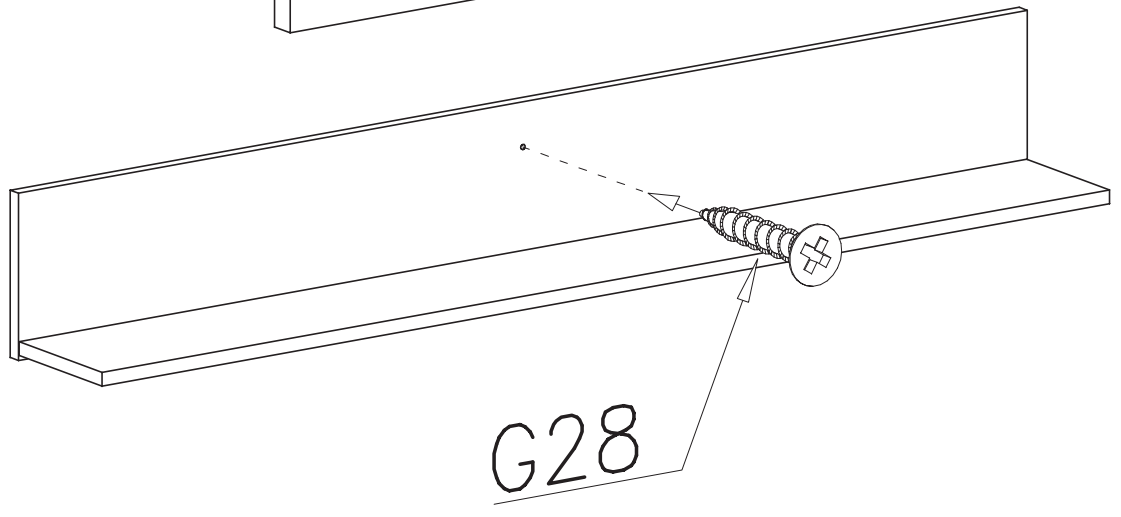
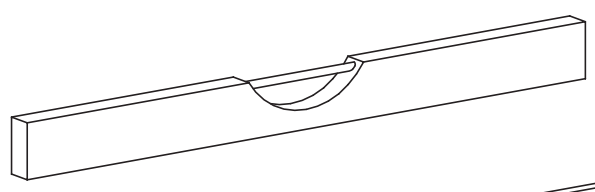
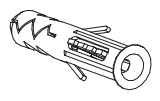
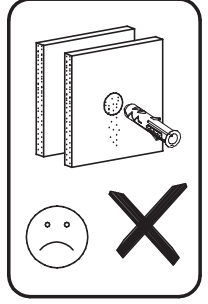
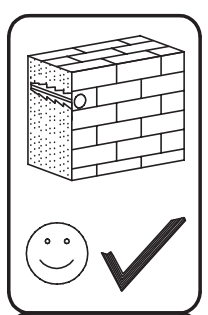
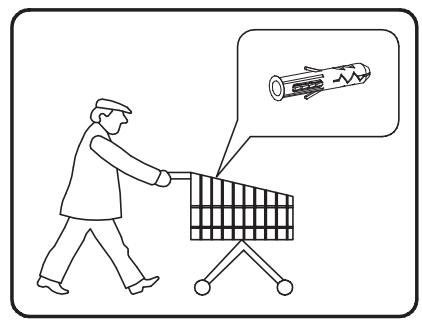
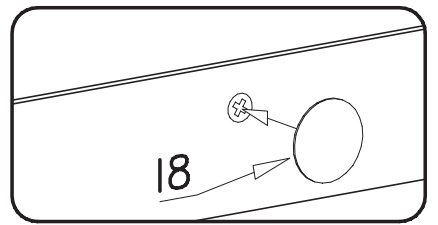
3

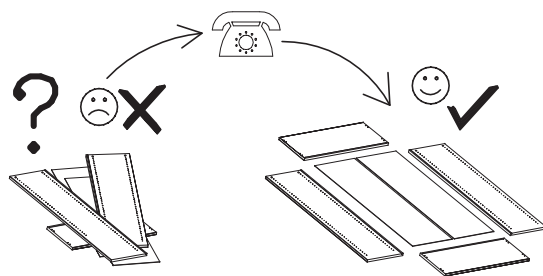
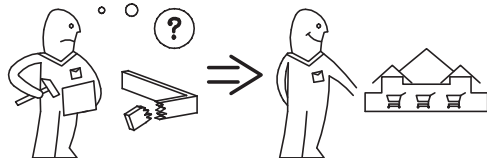
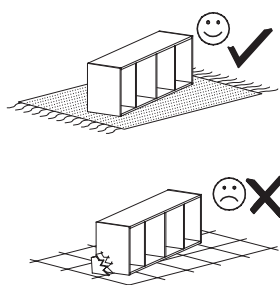


4



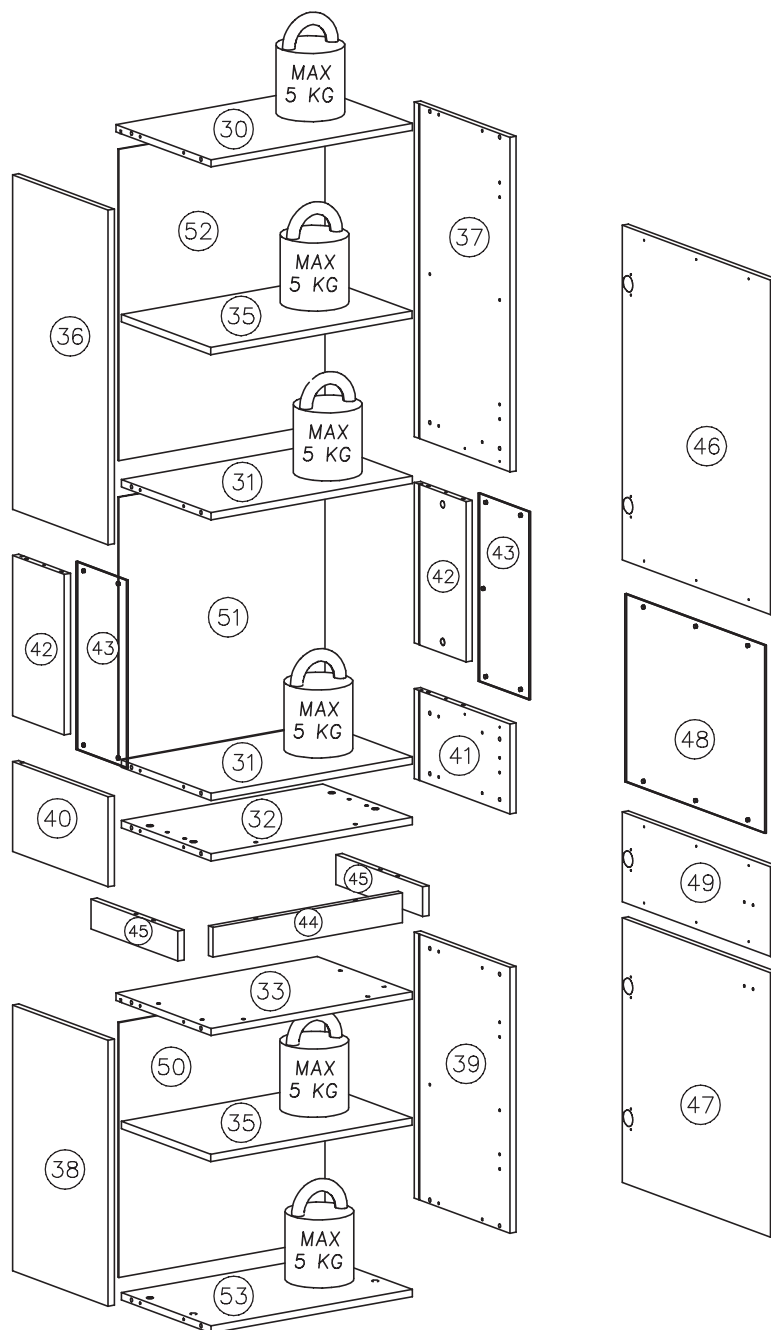
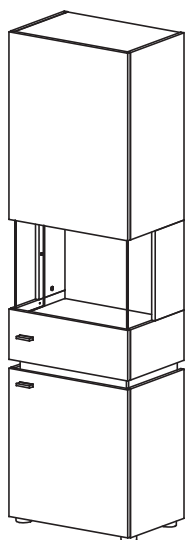
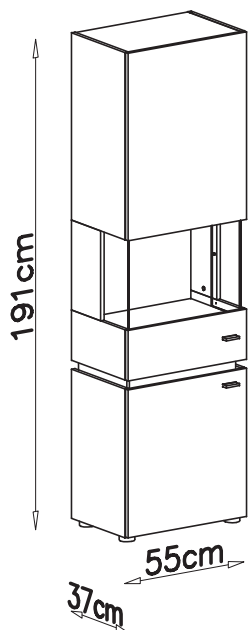
5



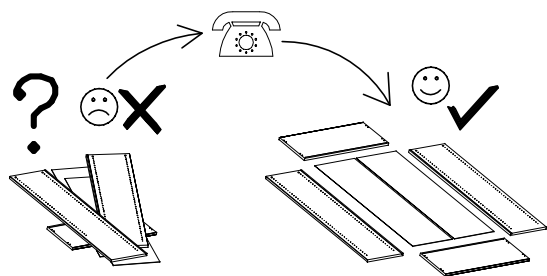
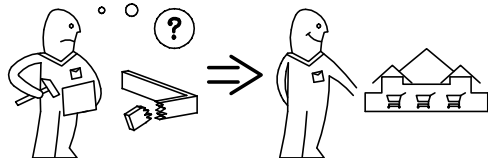
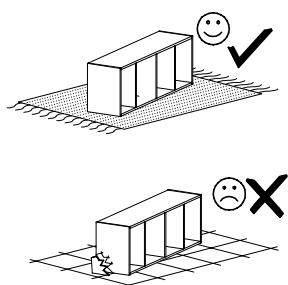


L

R

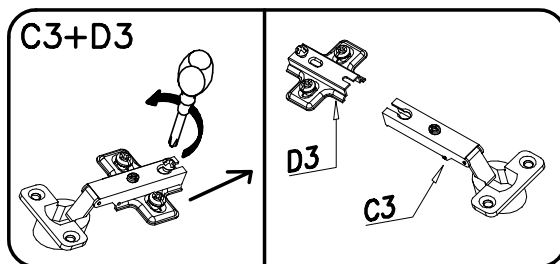
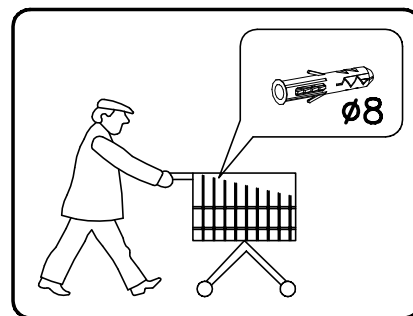
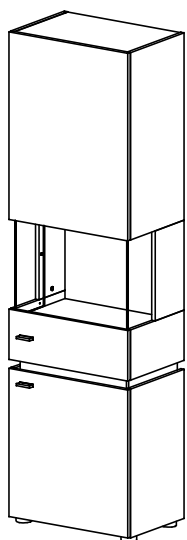
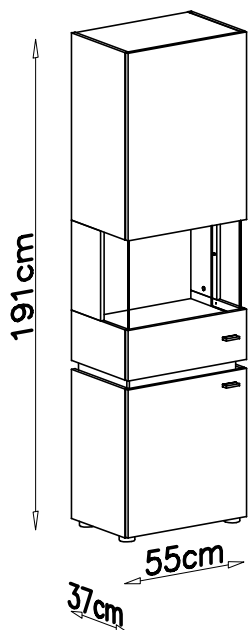





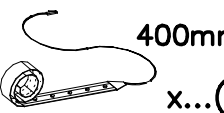
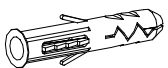


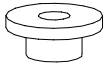
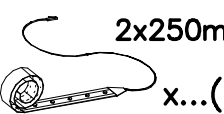

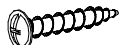
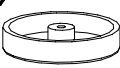


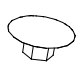

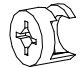

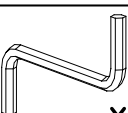
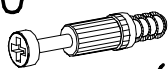
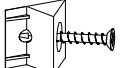
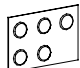
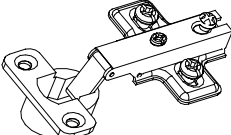

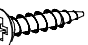
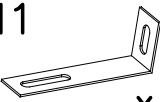
nr	L[mm]	B[mm]	T[mm]	Menge	Colli
30	518	350	16	1	1/7
31	518	330	16	1	1/7
32	518	330	16	1	1/7
33	518	350	16	1	1/7
35	518	330	16	2	1/7
36	730	351	16	1	2/7
37	730	351	16	1	2/7
38	580	351	16	1	1/7
39	580	351	16	1	1/7
40	196	351	16	1	2/7
41	196	351	16	1	2/7
42	350	190	16	2	2/7
43	186	410	4	2	2/7
44	486	65	16	1	2/7
45	319	65	16	2	2/7
46	545	730	16	1	2/7
47	545	577	16	1	2/7
48	514	410	4	1	2/7
49	545	196	16	1	2/7
50	530	555	3	1	2/7
51	530	574	3	1	2/7
52	530	677	3	1	2/7
53	518	330	16	1	1/7
BESCHLAGE					1/7
LED					7/7

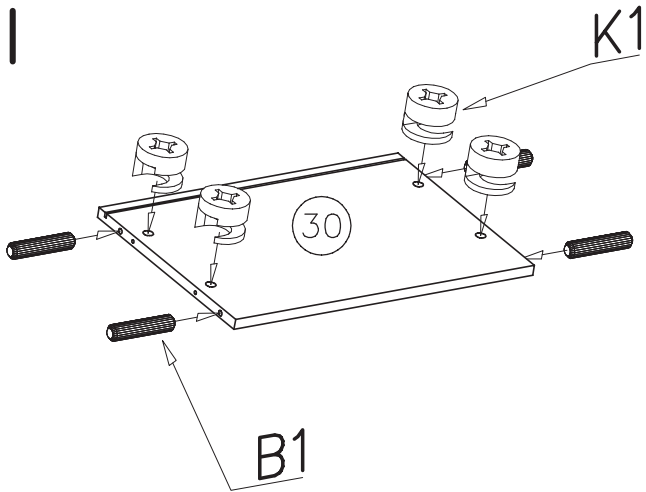


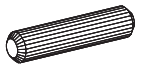

L

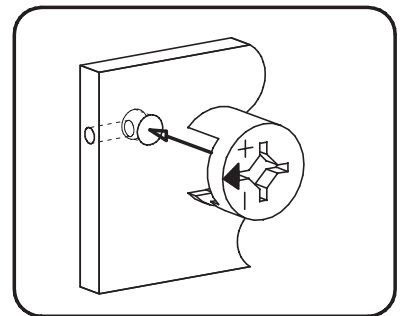
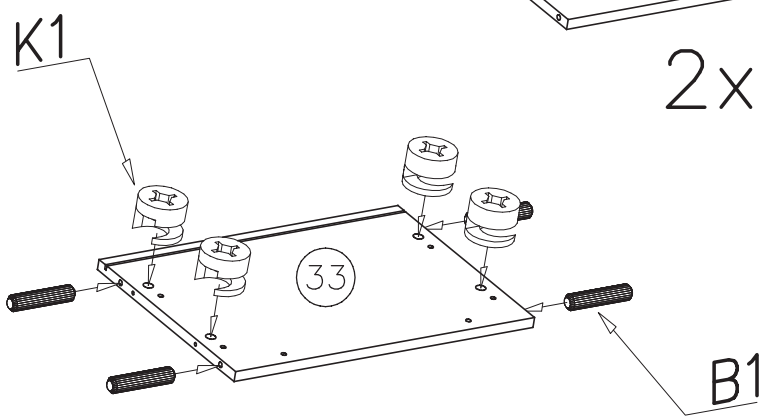
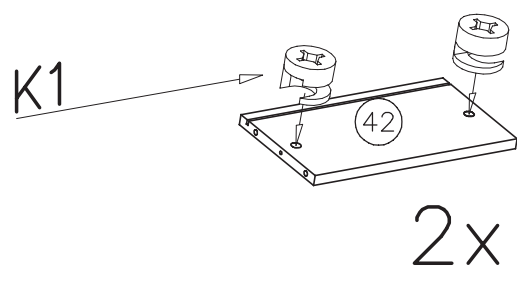
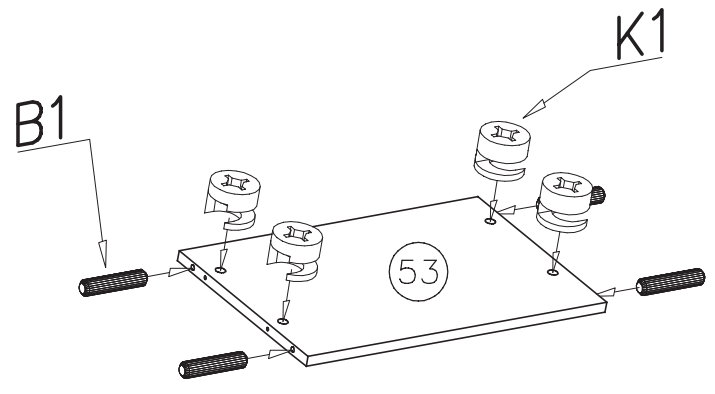
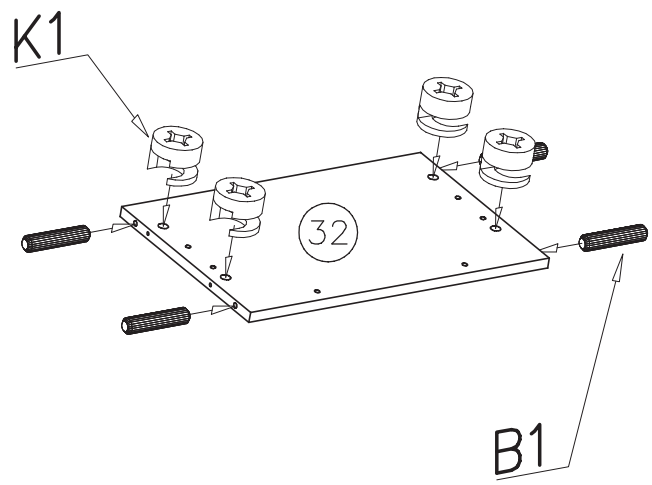
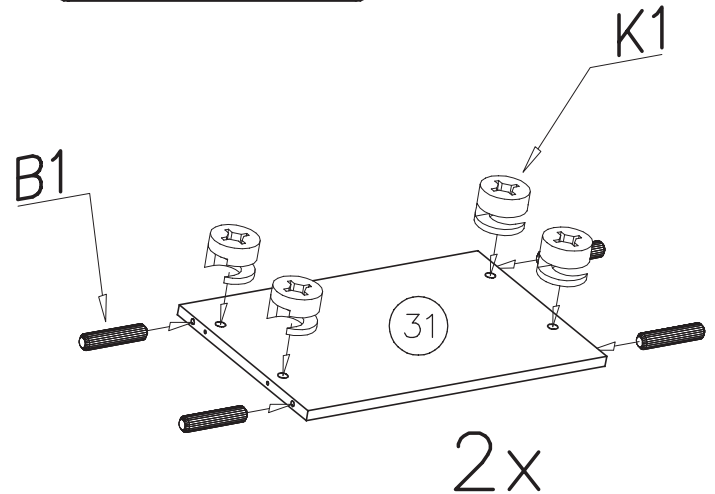
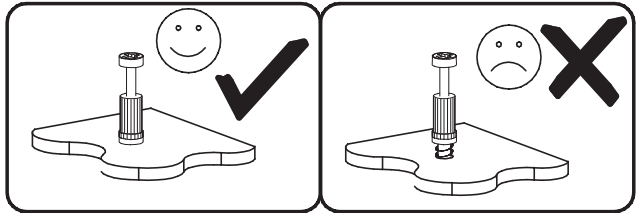
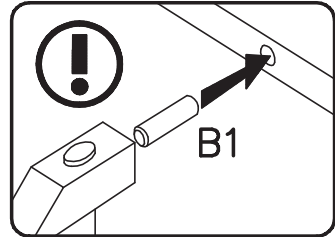
R



W10-P  x...(1)	W1  GLUE, LEIM, LEPIDLO, LIM x...(1)	F2  x...(8)		
W10-400  400mm x...(1)	U6  ø8x50 x...(1)	G28  4x60 x...(1)	G56  4x16 x...(16)	I3  x...(16)
W10-250  2x250mm x...(2)	E87  32mm x...(2)	G8  4x30 x...(4)	P20  x...(4)	G12  4x25 x...(4)
A1  ø7x50 x...(12)	I9  ø12 x...(12)	I7  ø18 x...(28)	K1  ø15x12 x...(28)	S2  x...(4)
W2  x...(1)	K10  25mm x...(28)	I1  x...(10)	W3  x...(5)	C3+D3  x...(5)
	B1  ø8x35 x...(32)	G34  3,5x16 x...(24)	M11  x...(1)	Z35PR x...(5)



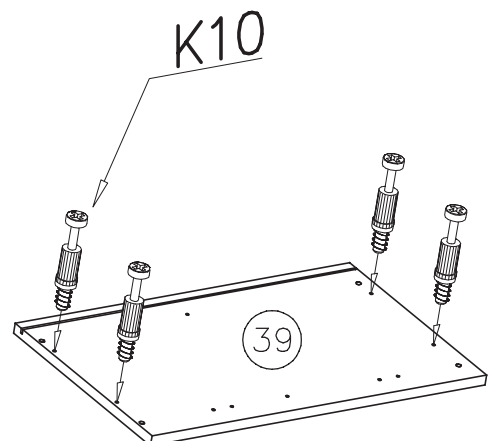
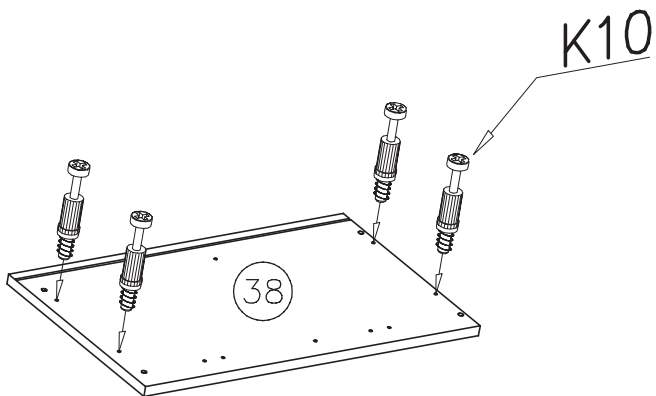
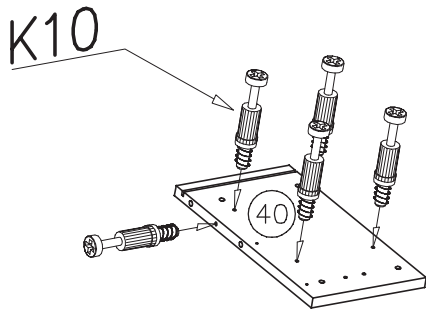
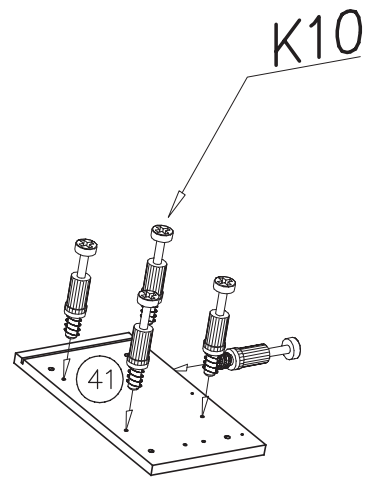
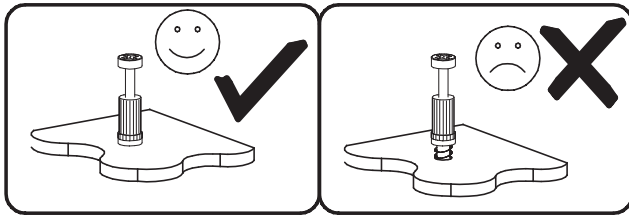
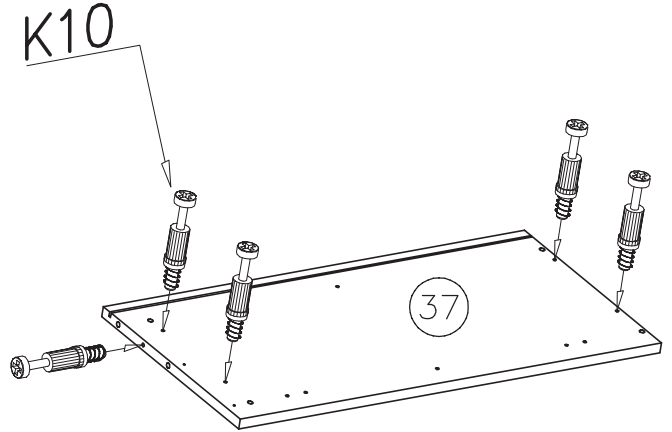
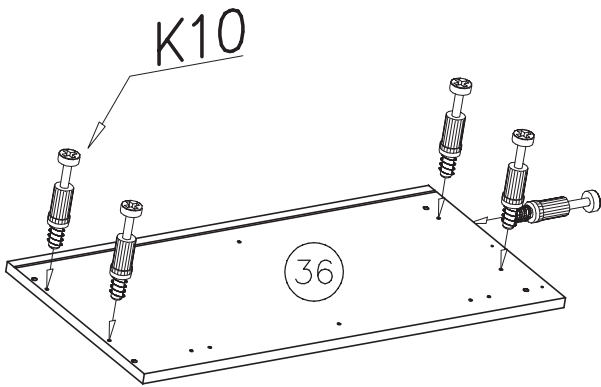
- B1  $\varnothing 8 \times 35$ x...(24)
- K1  $\varnothing 15 \times 12$ x...(28)






II


K10
25mm x...(28)

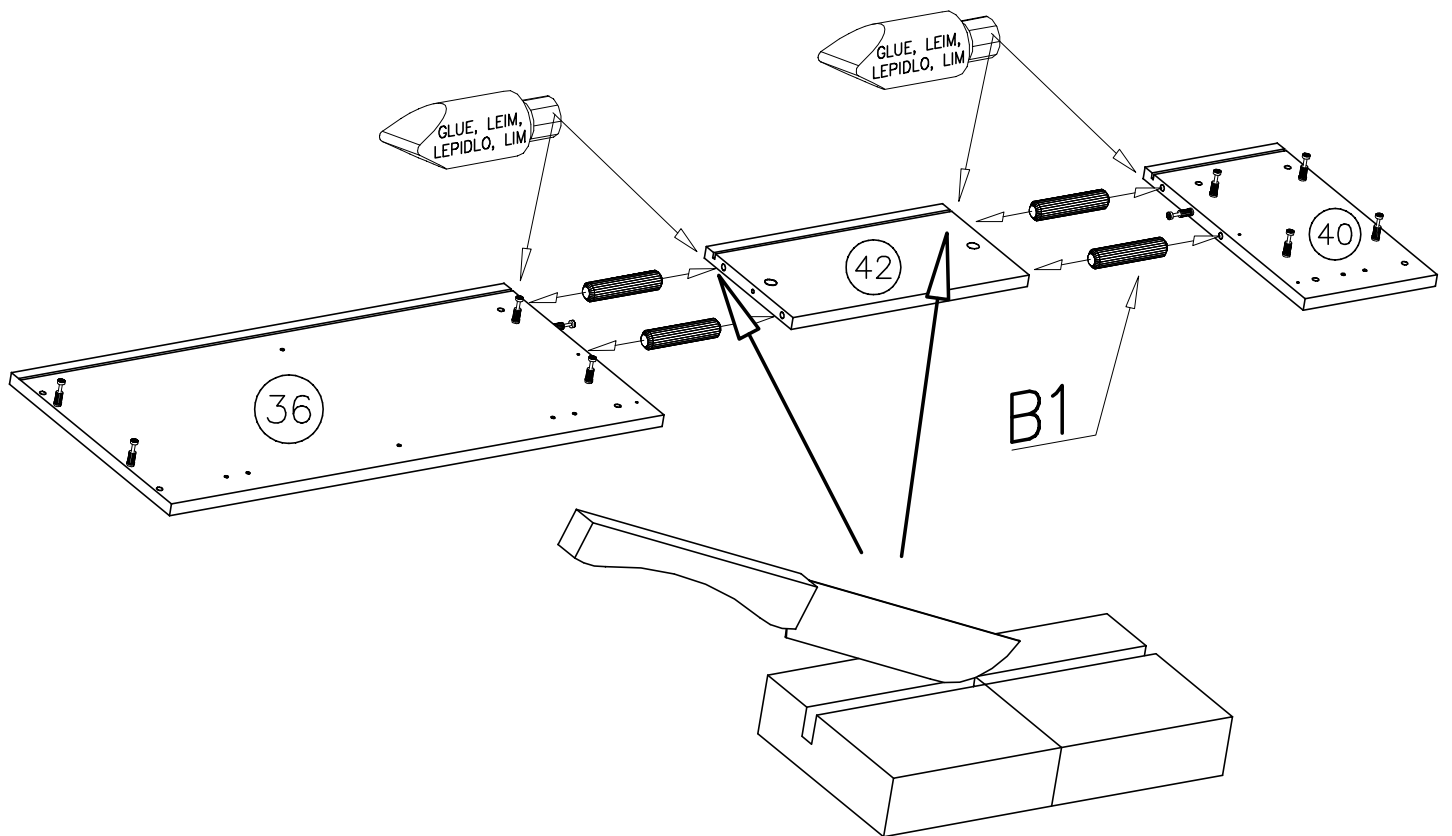
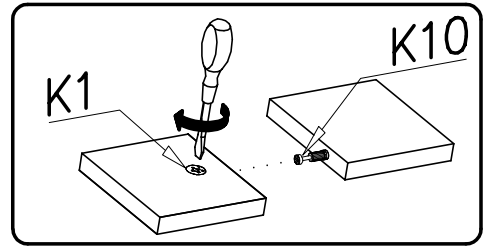
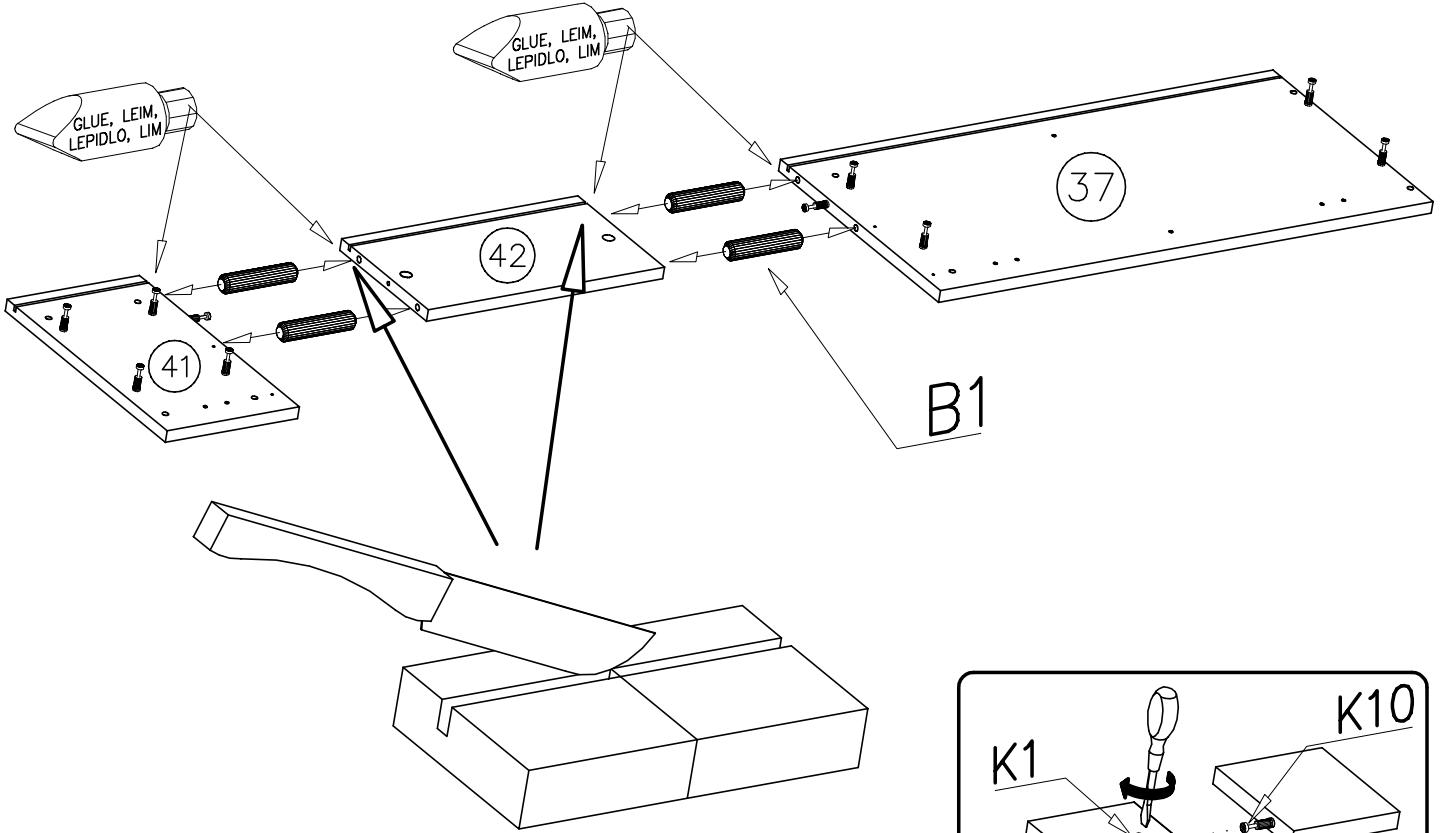




III

B1 
ø8x35 x...(8)

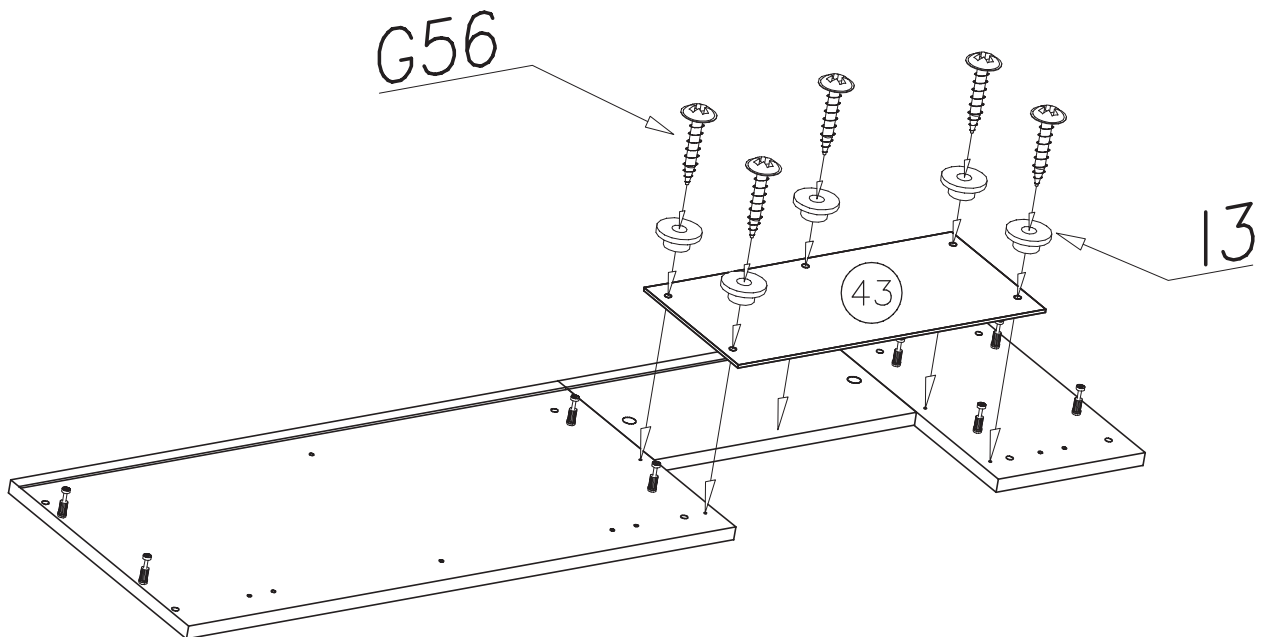
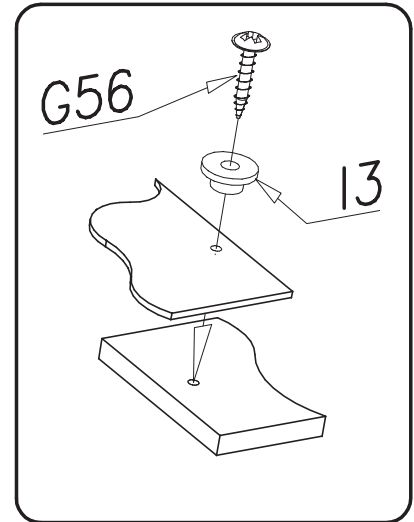
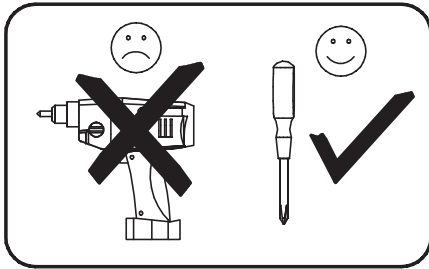
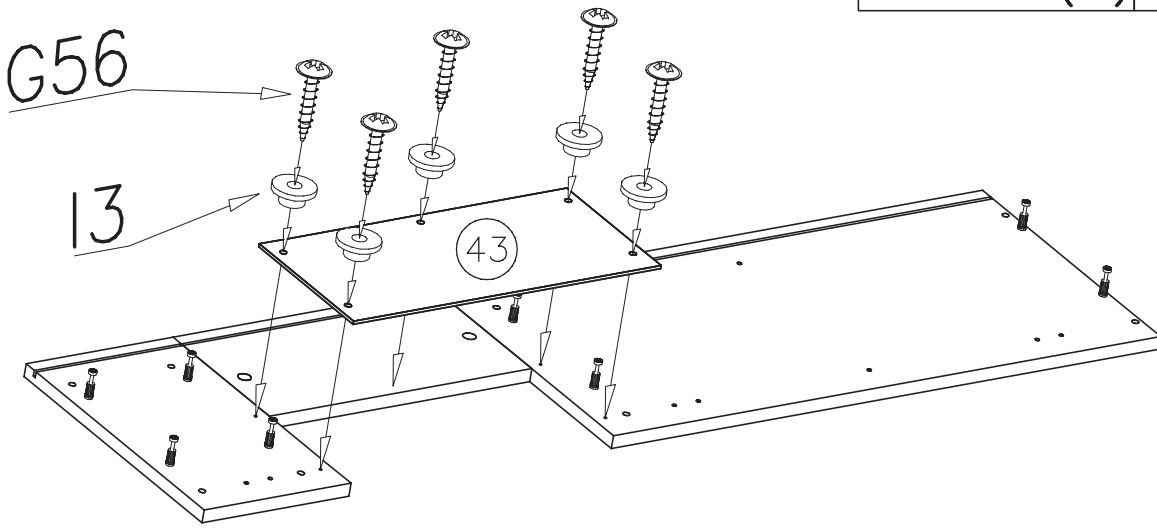
W1 
GLUE, LEIM, LEPIDLO, LIM x...(1)





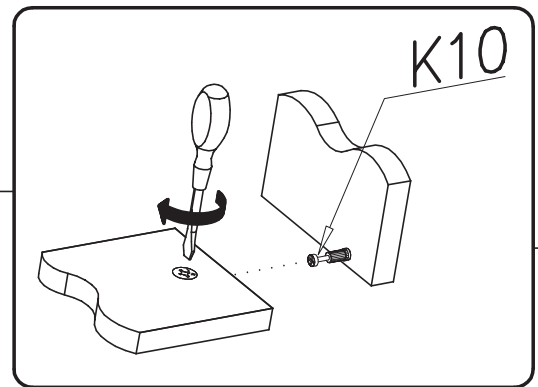
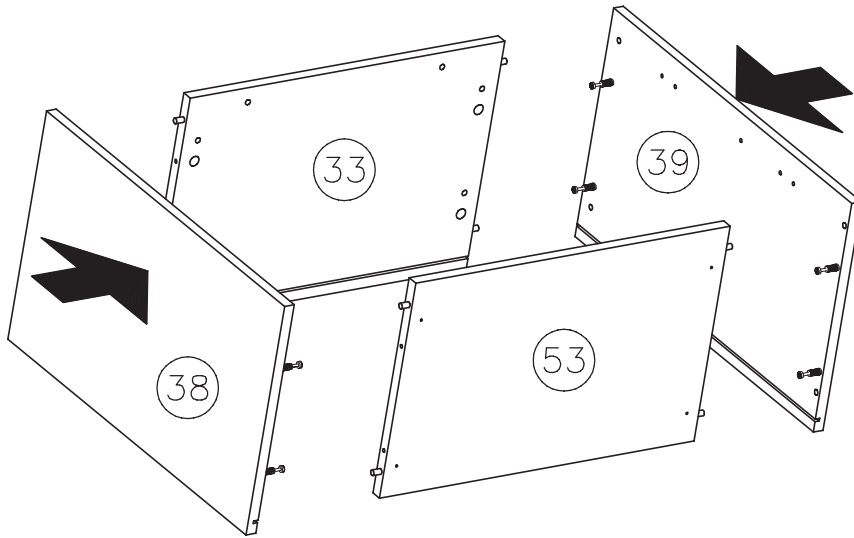
IV

G56		13	
4x16	x...(10)		x...(10)

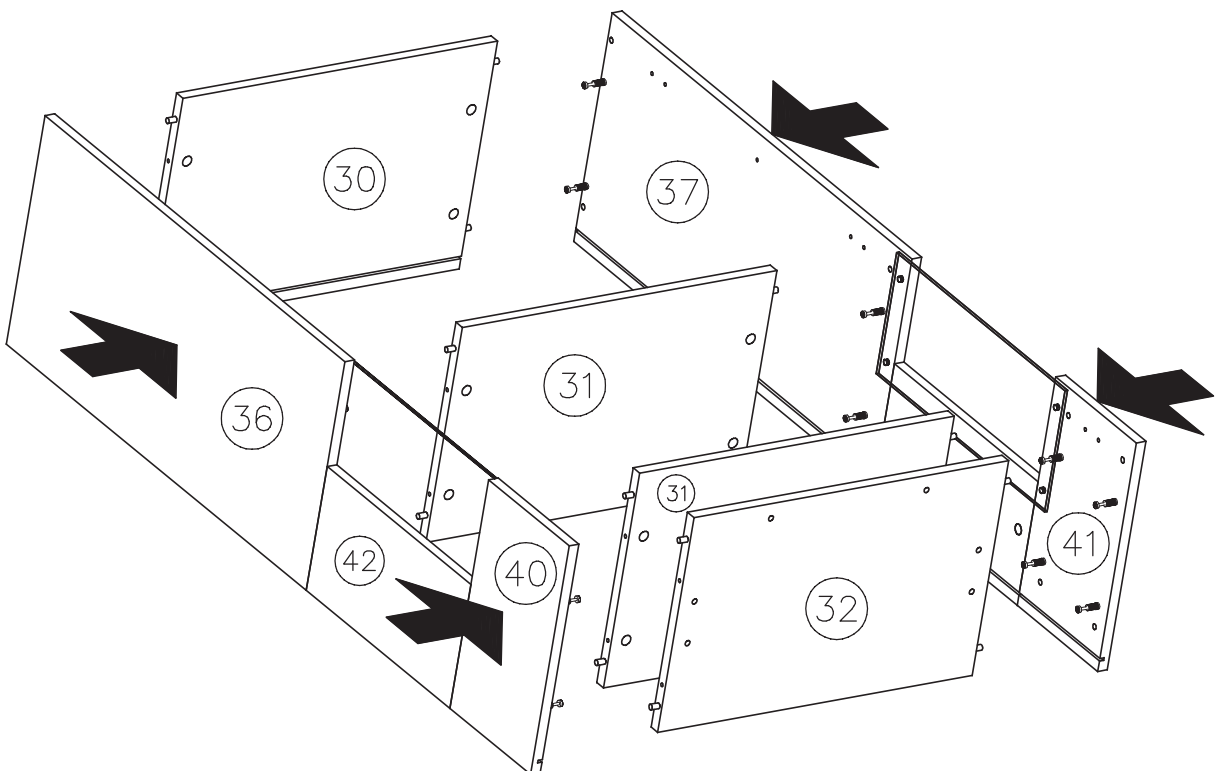




V



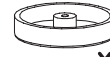
VI





VII

P20



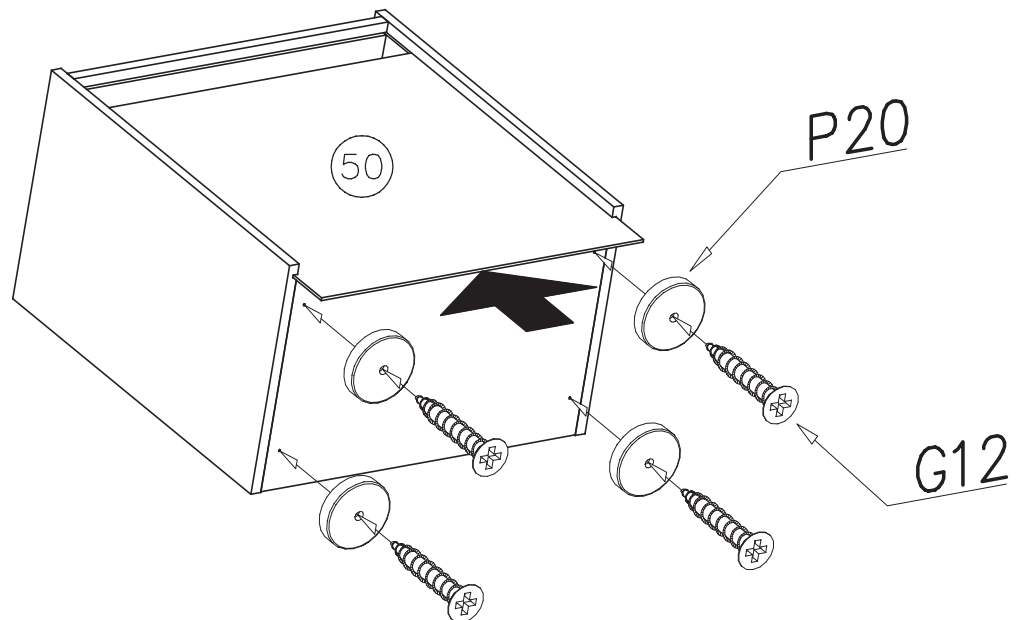
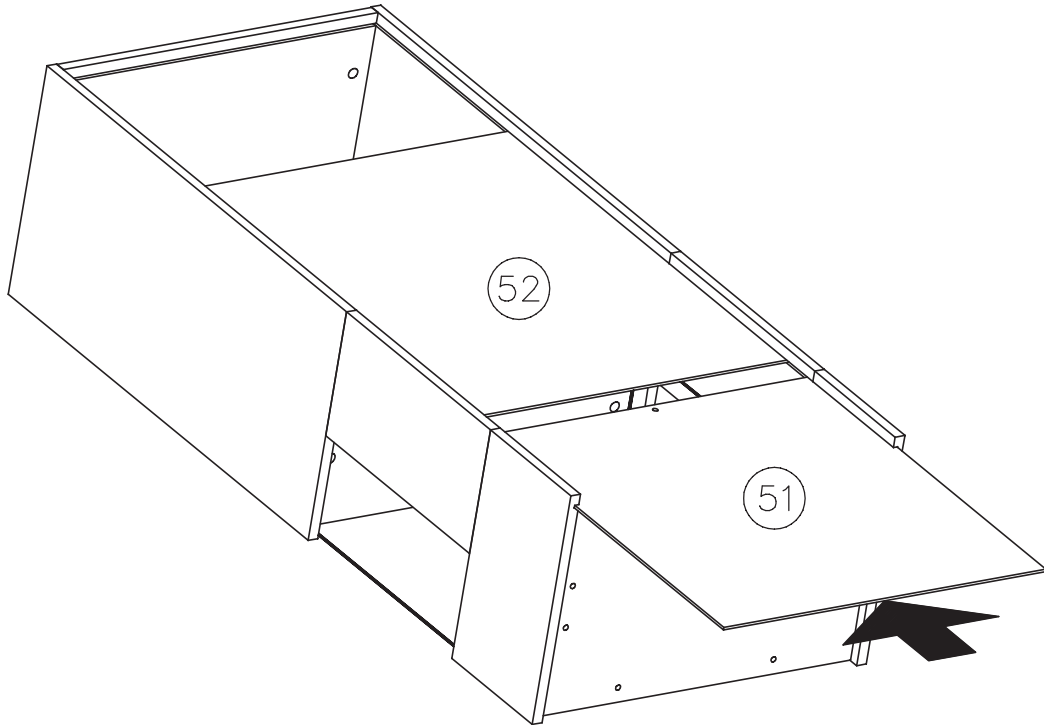
x...(4)

G12



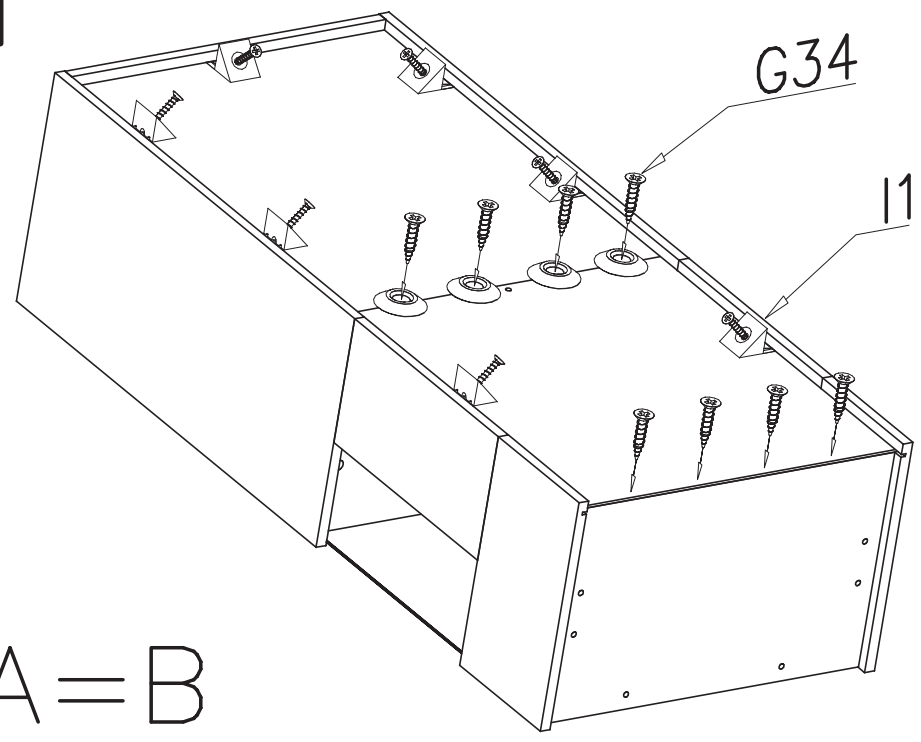
4x25


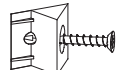

x...(4)



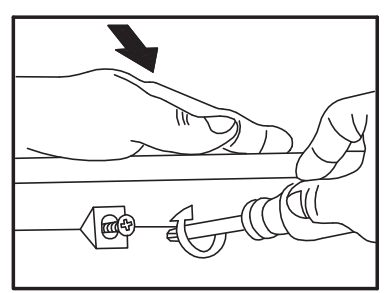
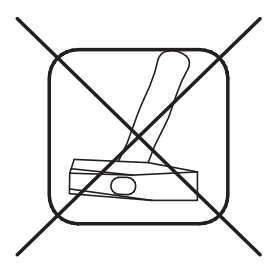
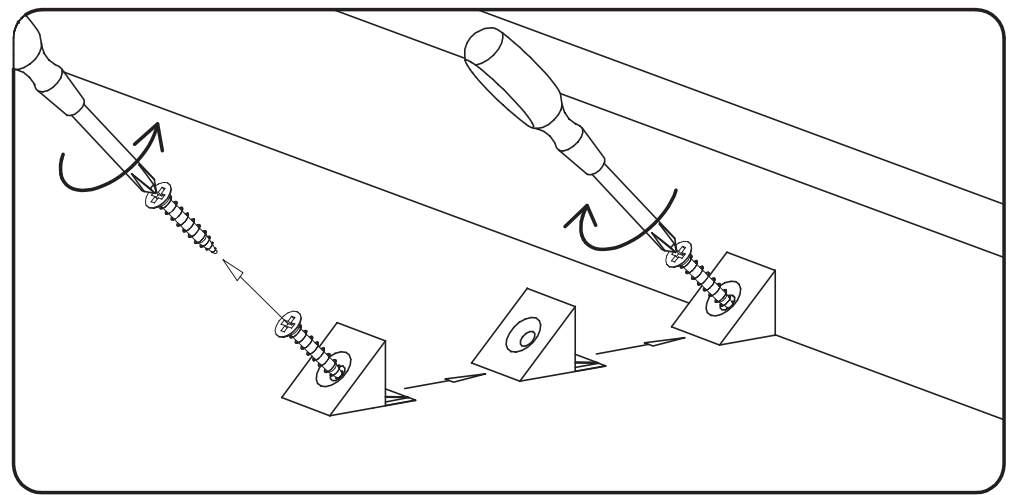
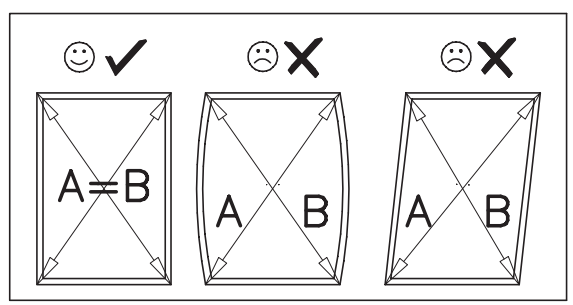
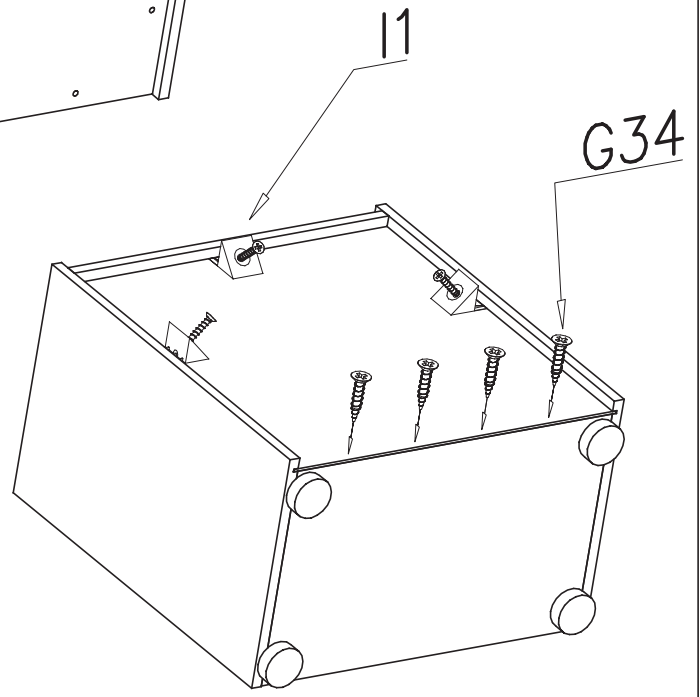
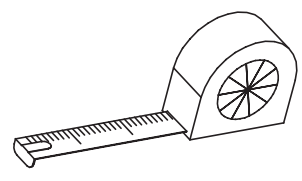


VIII



- G34  3,5x16 x...(12)
- I1  x...(10)
- S2  x...(4)

A = B

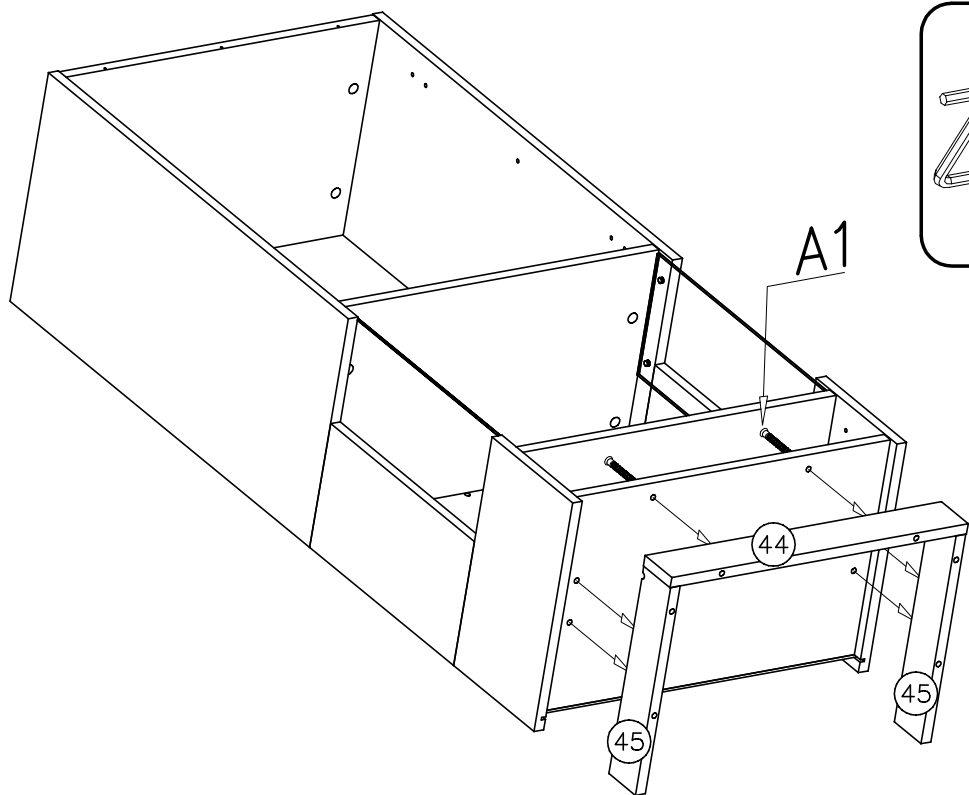
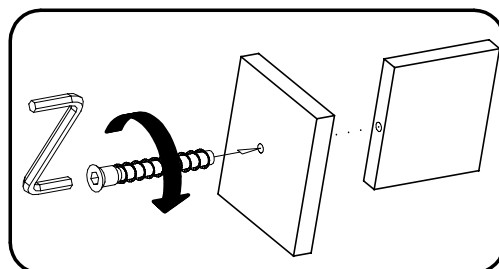




IX

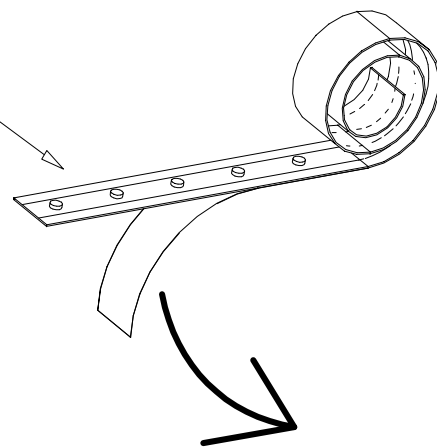
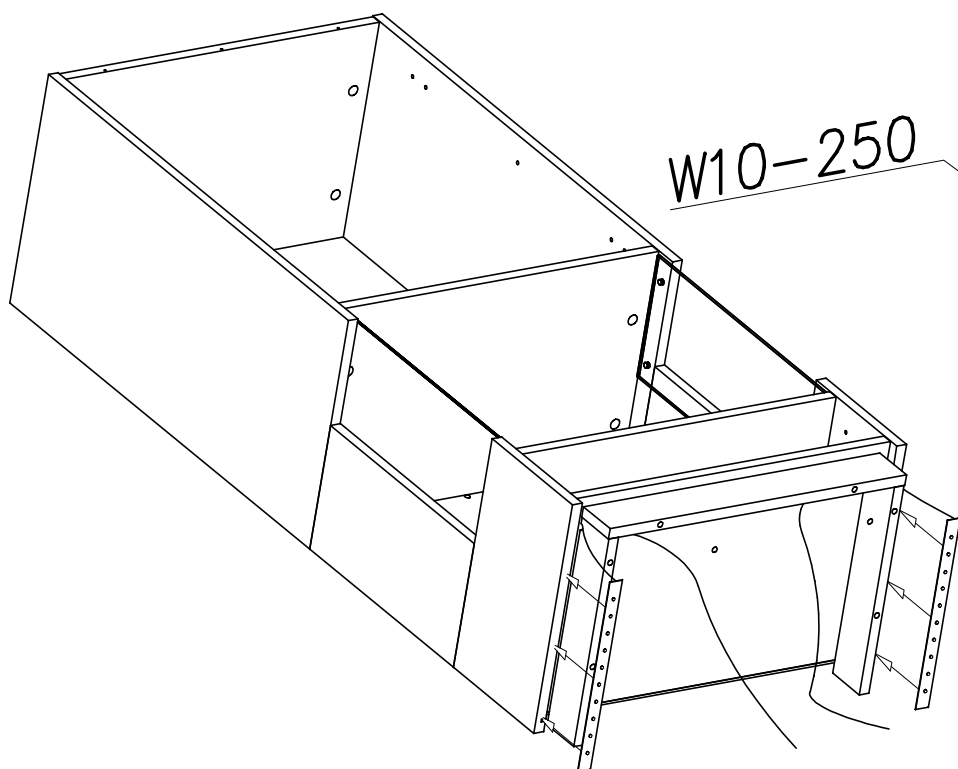
A1
ø7x50 x...(6)

W2
x...(1)



W10-250
2x250mm
x...(2)

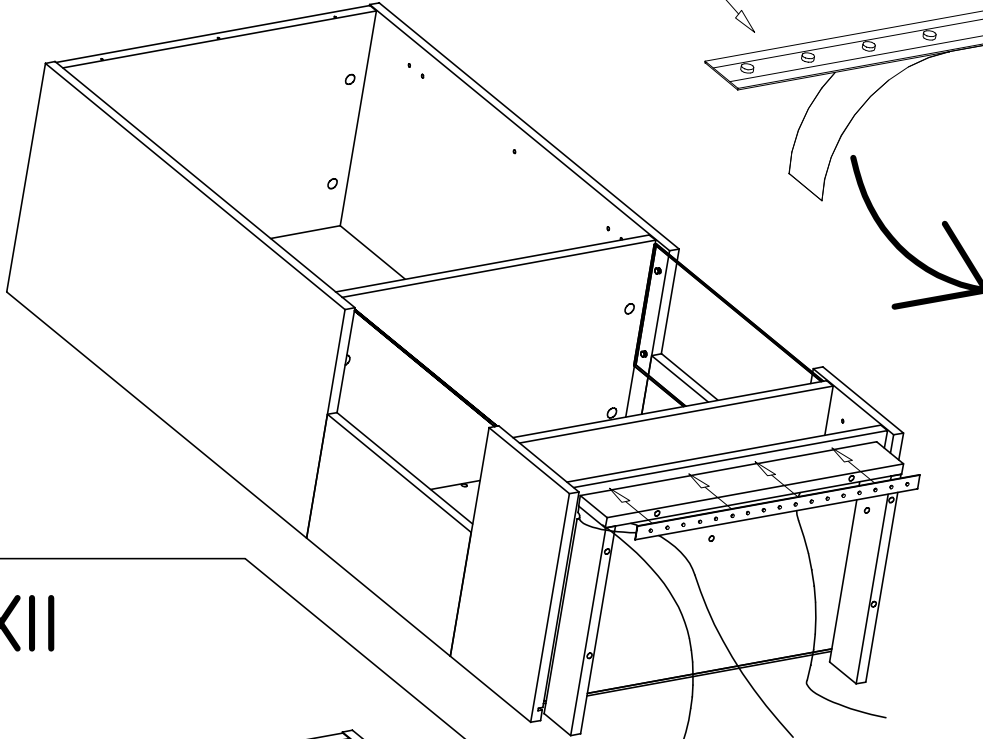
X





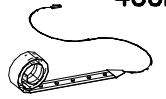
XI

W10-400



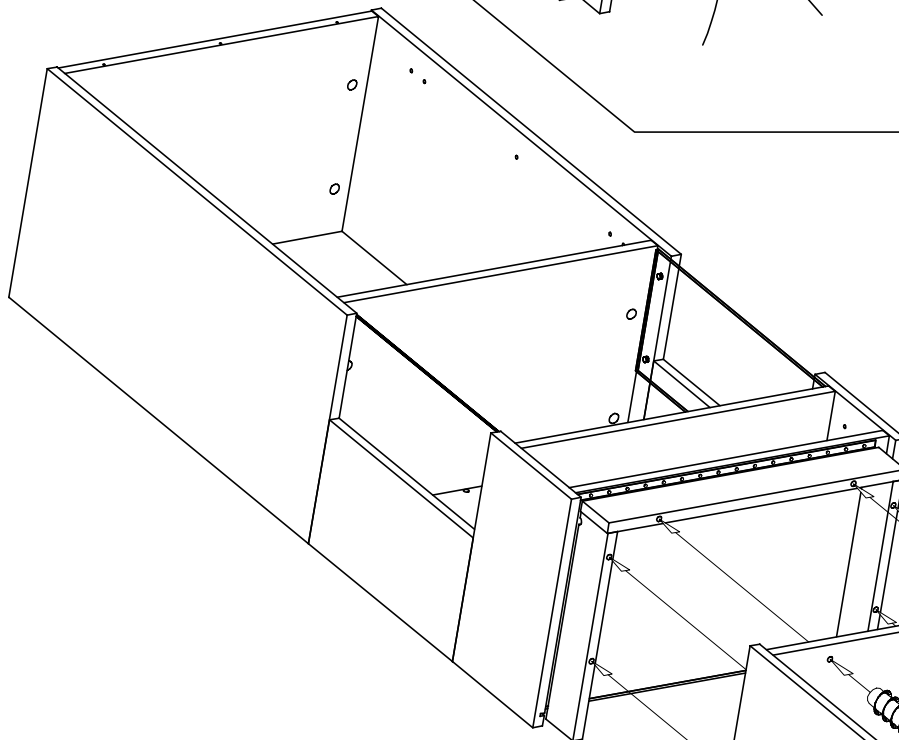
W10-400

400mm

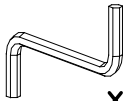


x...(1)

XII



W2



x...(1)

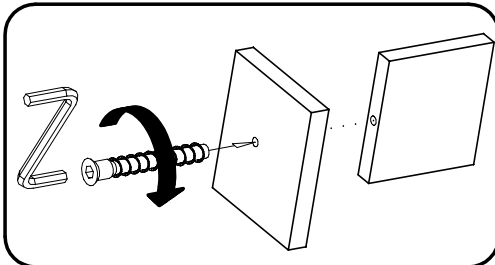
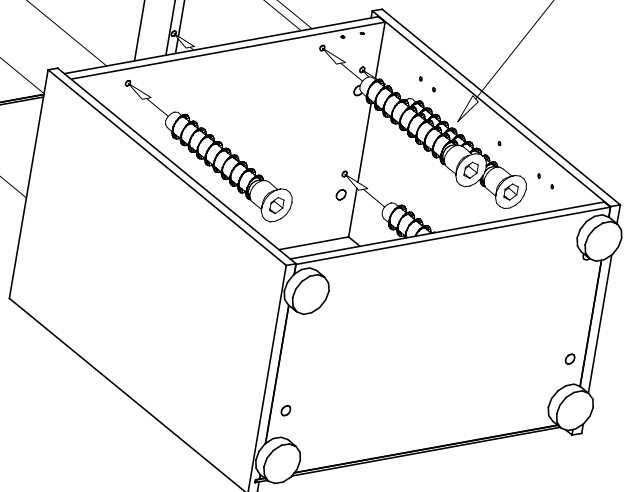
A1

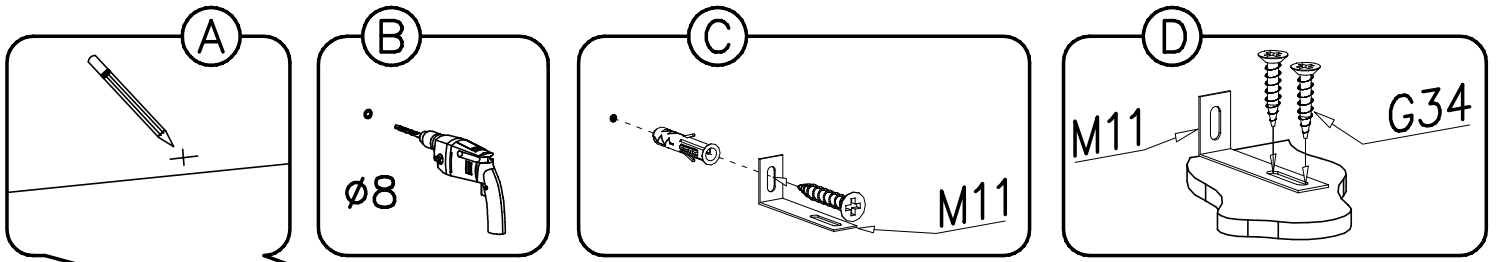


Ø7x50

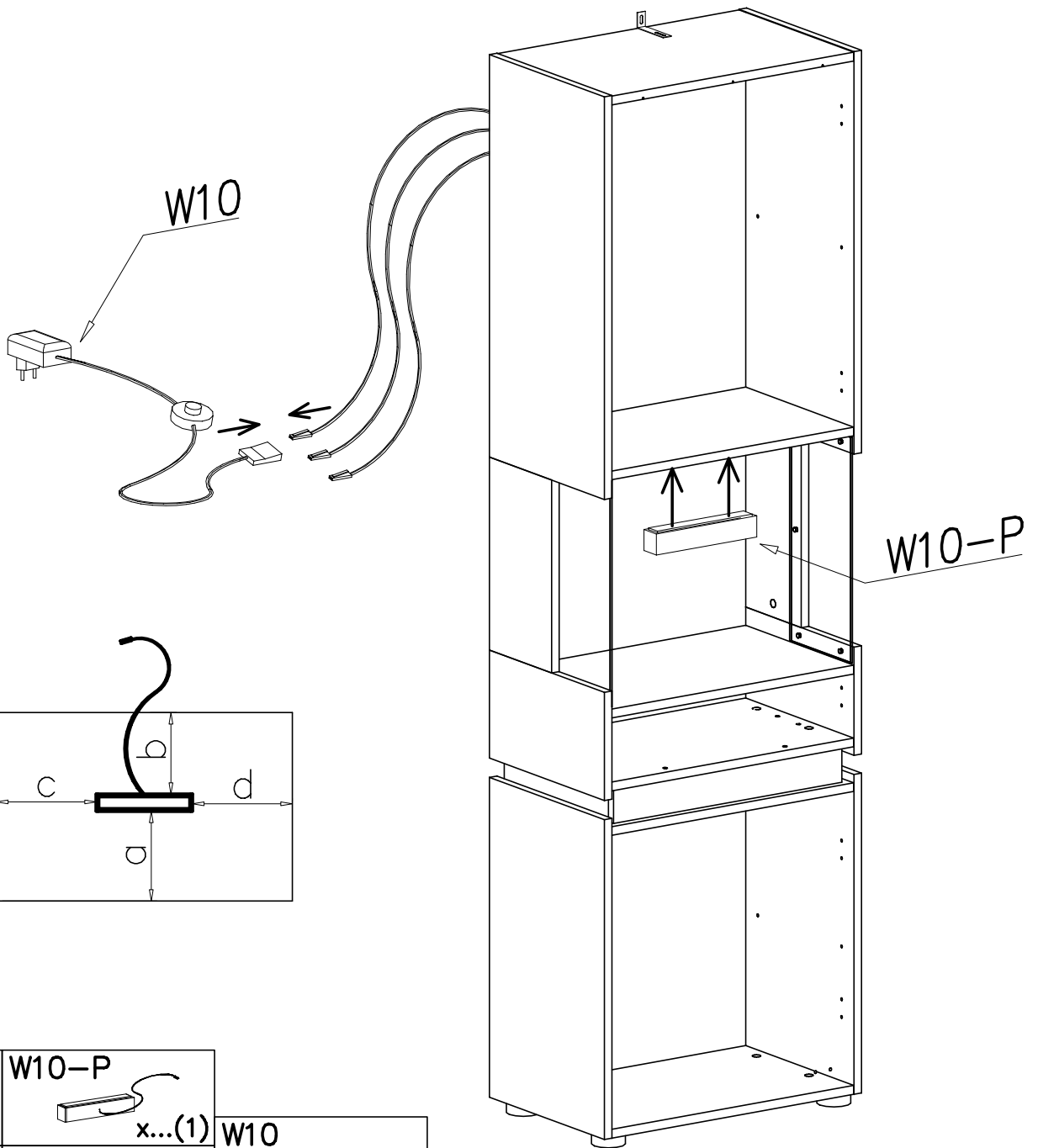
x...(6)

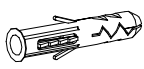




A1





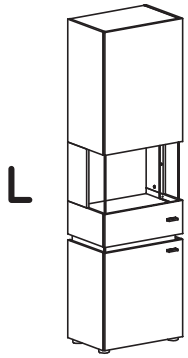
XIII



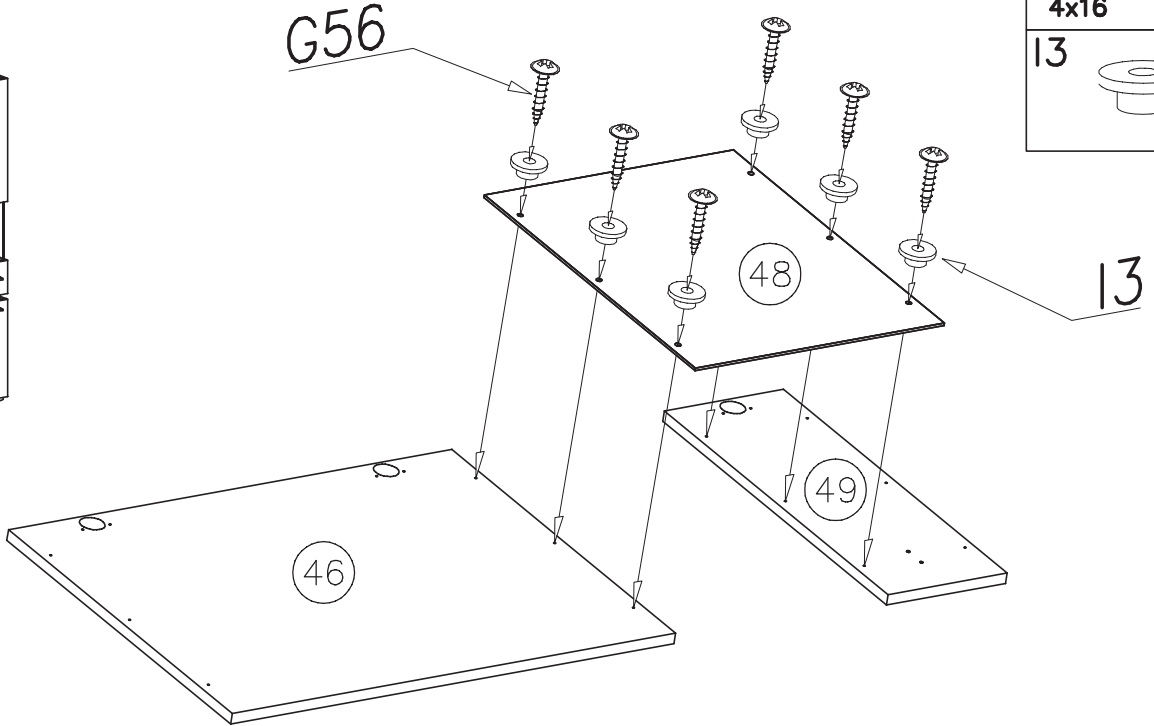
U6  ø8x50 x...(1)	W10-P  x...(1)	W10  x...(1)
G28  4x60 x...(1)	G34  3,5x16 x...(2)	


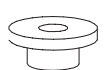


XIV



L

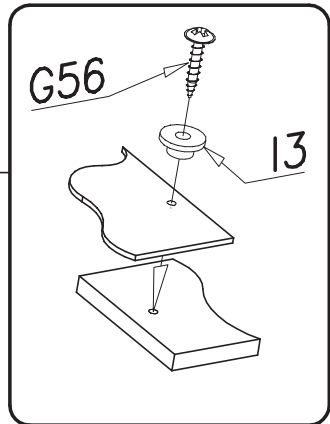
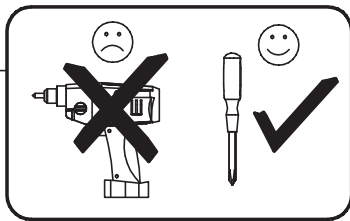
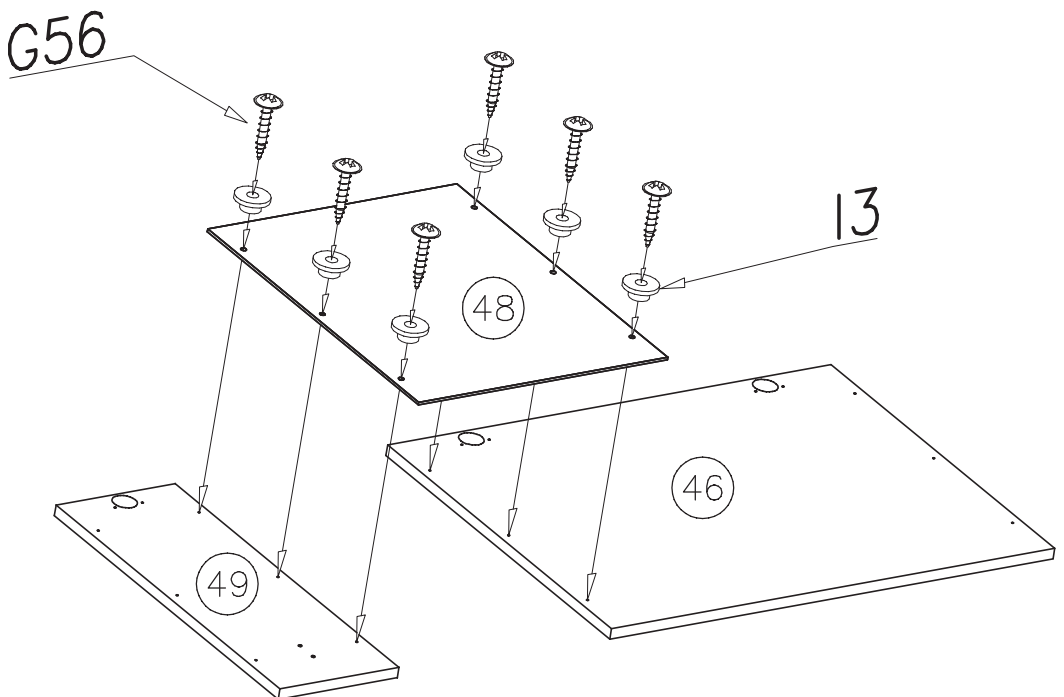




- G56  4x16 x...(6)
- 13  x...(6)

XIV




R

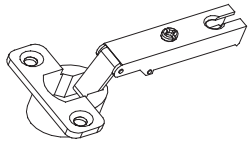


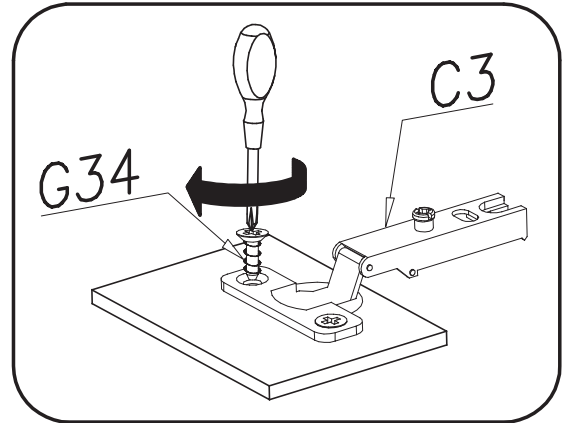
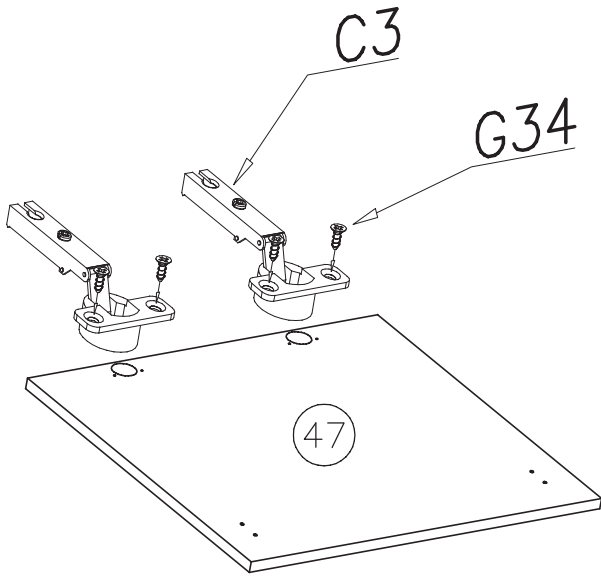
- G56  4x16 x...(6)
- 13  x...(6)



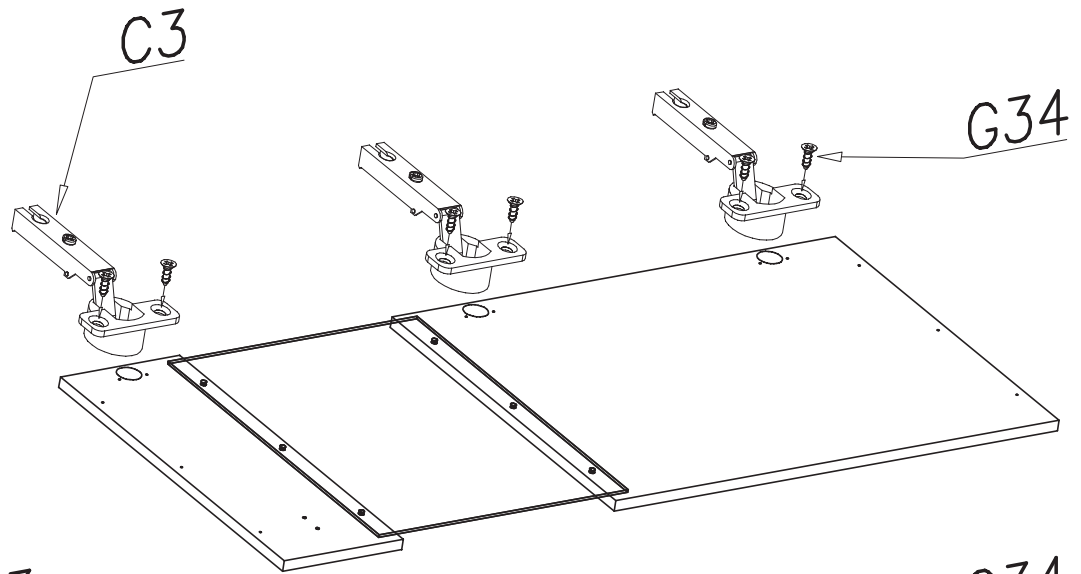
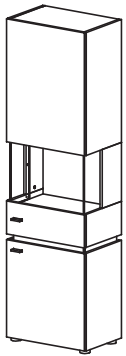
XV

G34 
3,5x16 x...(10)

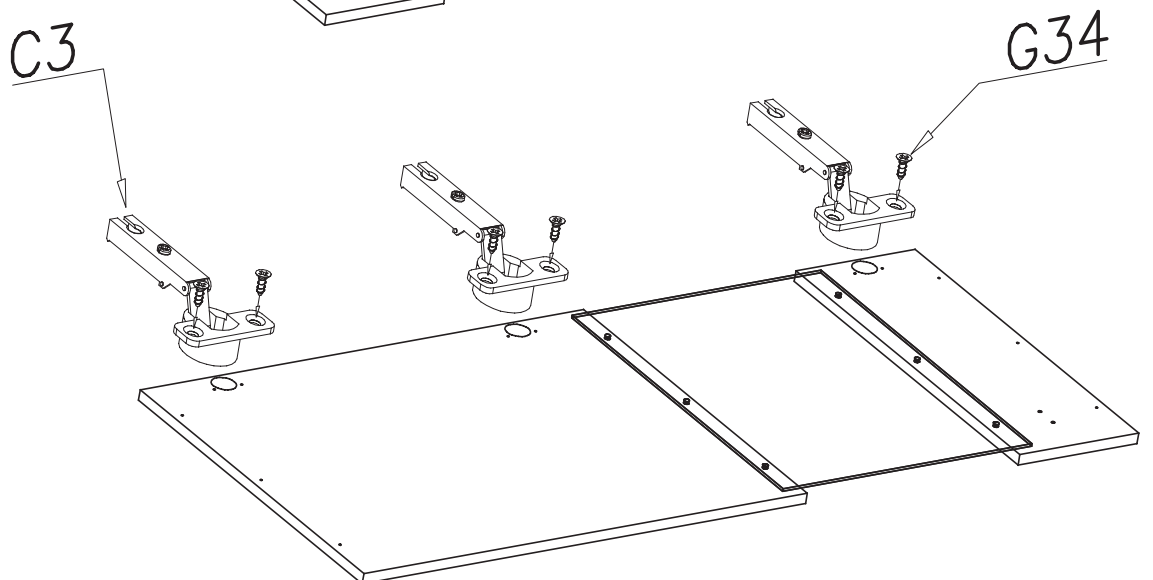
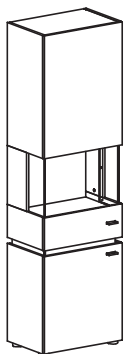
C3 
Z35PR x...(5)



R



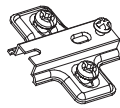
L





XVI

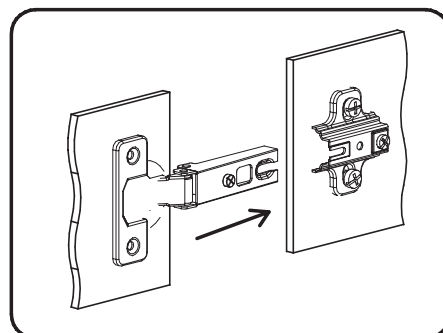
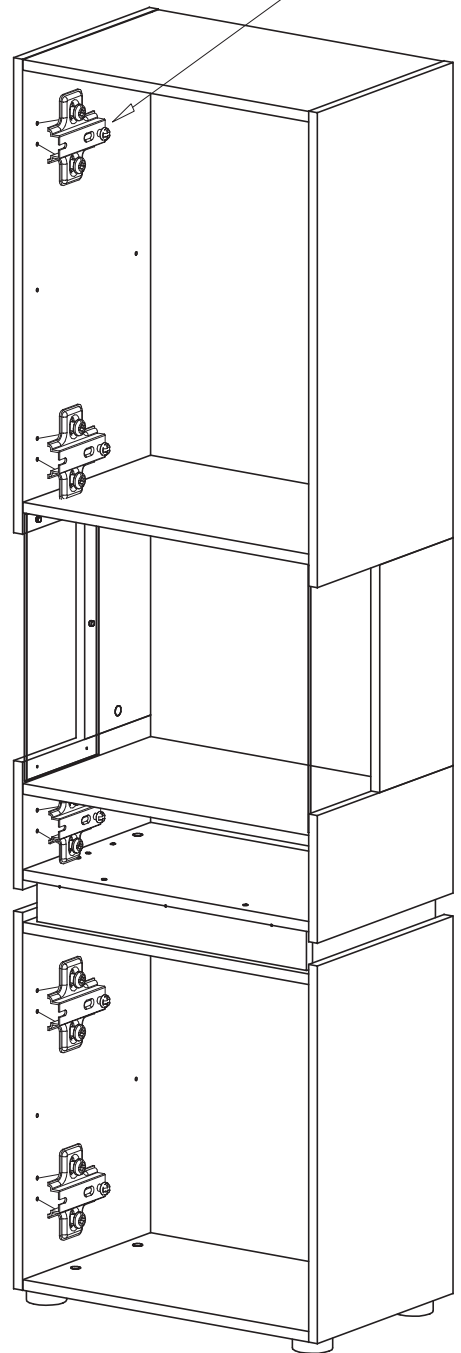
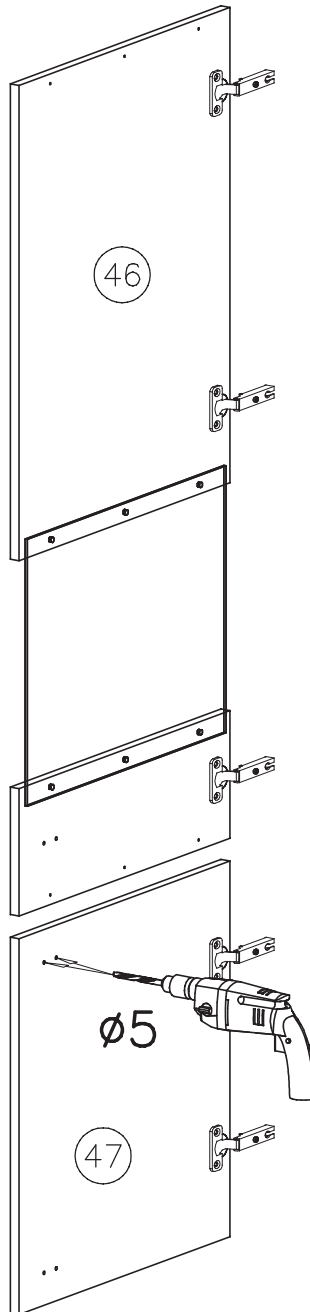
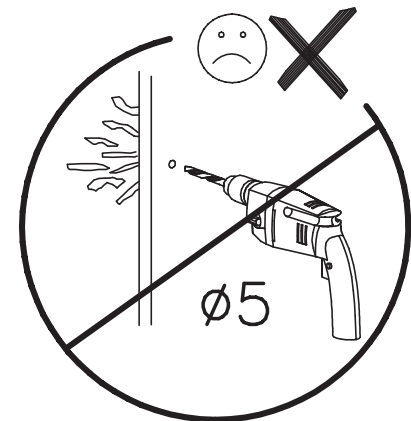
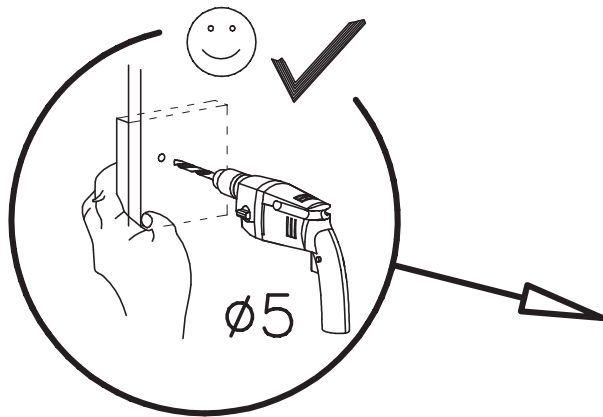
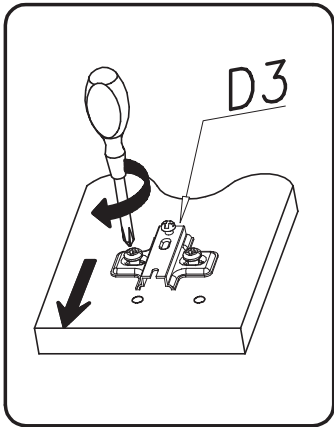
D3



x...(5)

L

D3



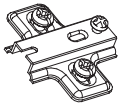


XVII

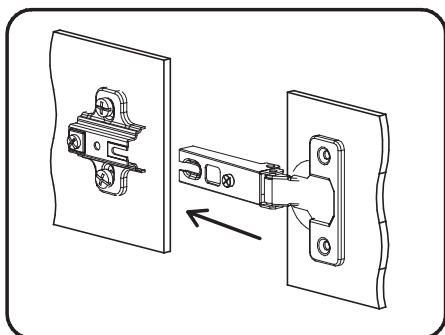
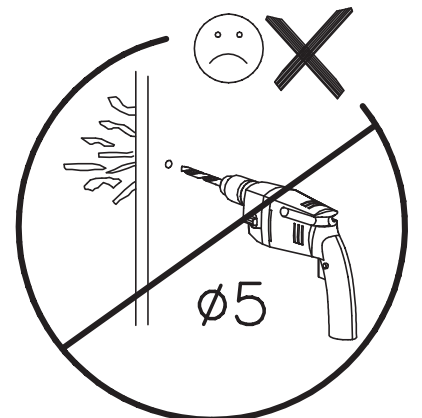
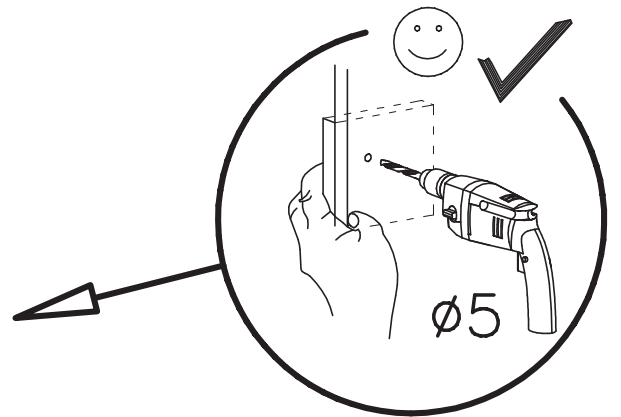
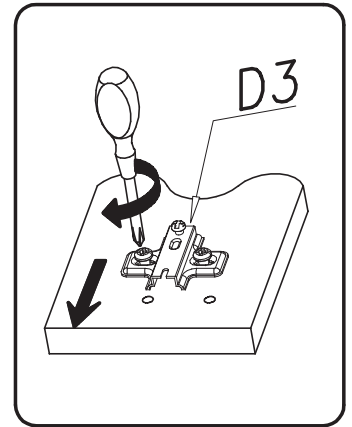
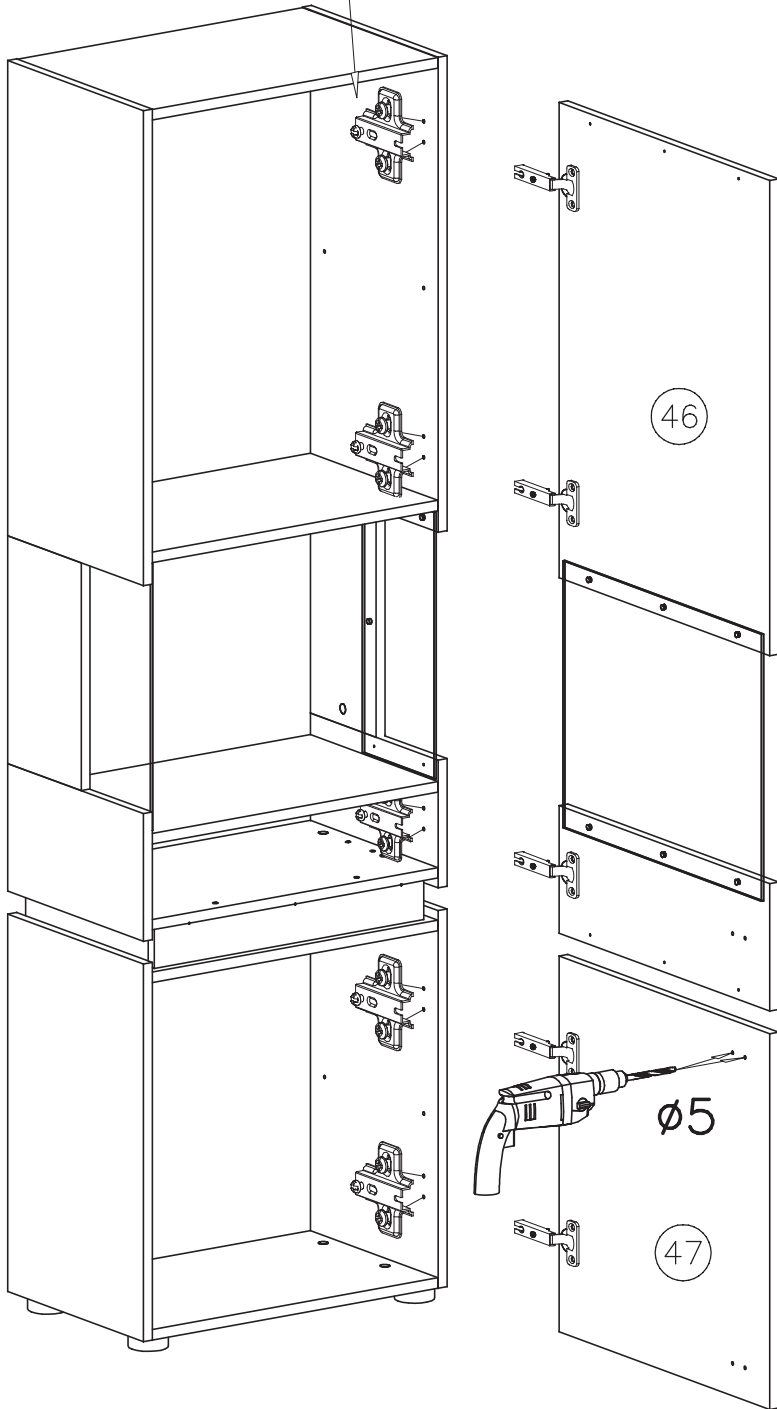
D3

R

D3

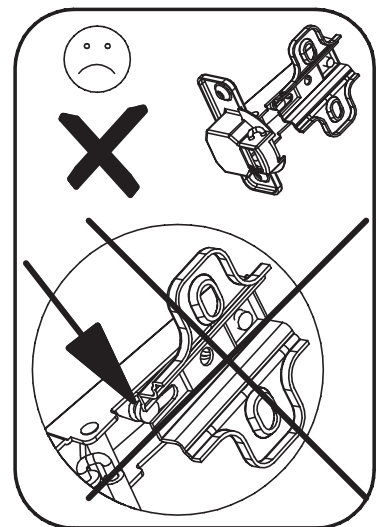
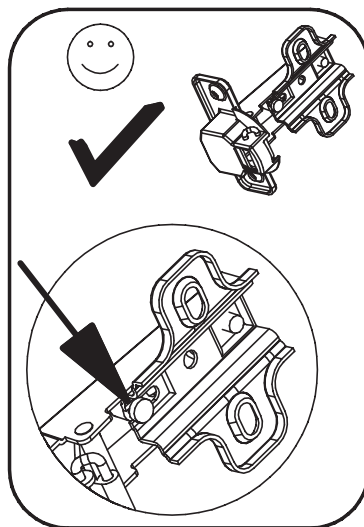
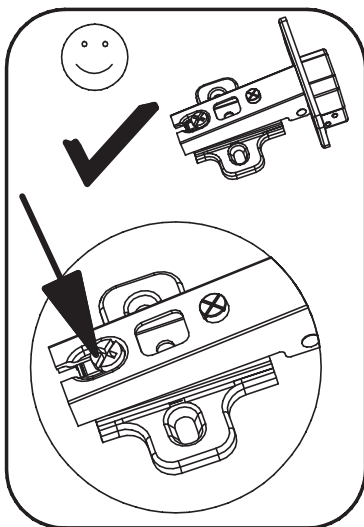
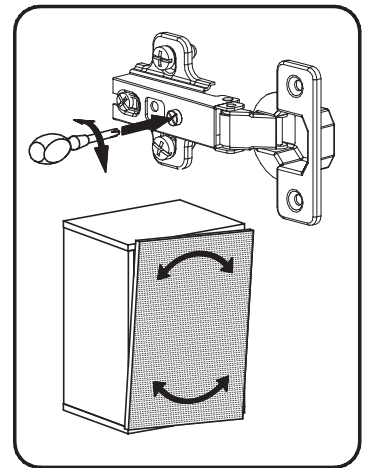
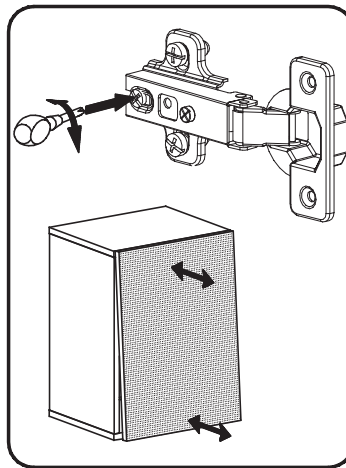
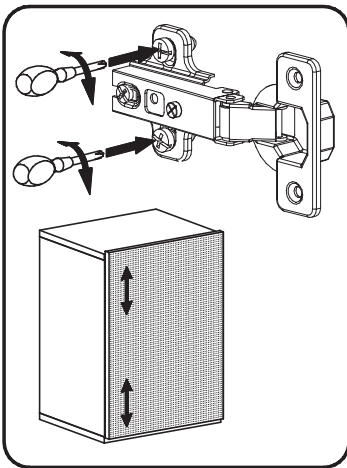
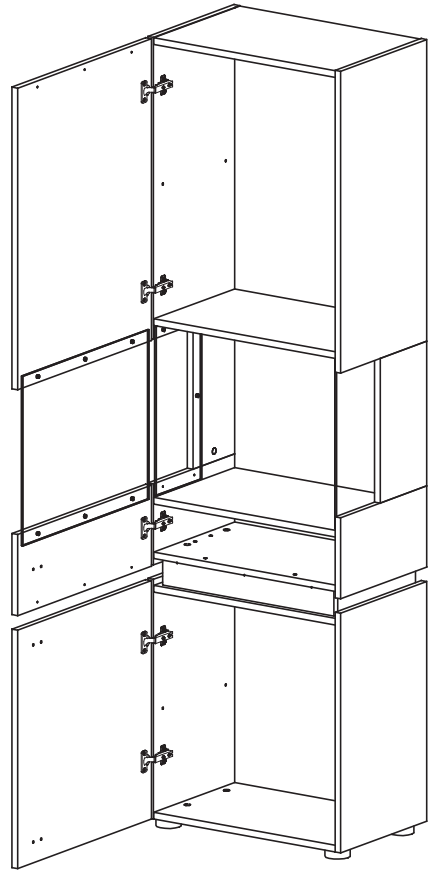
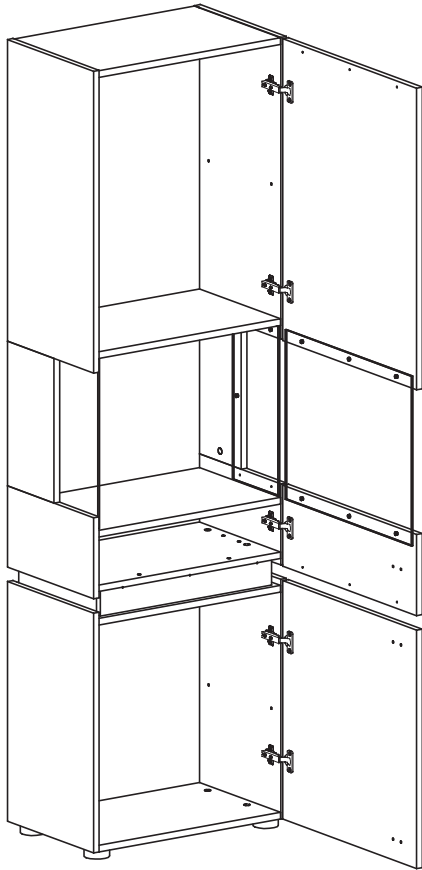


x...(5)





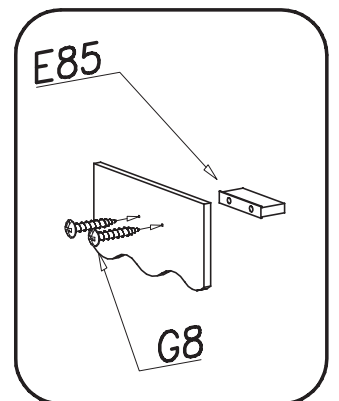
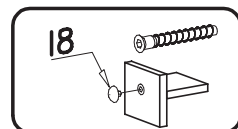
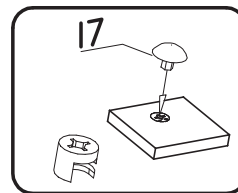
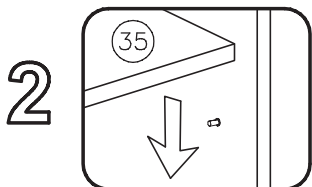
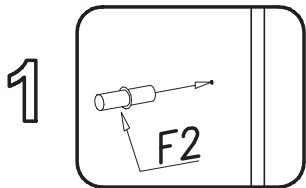
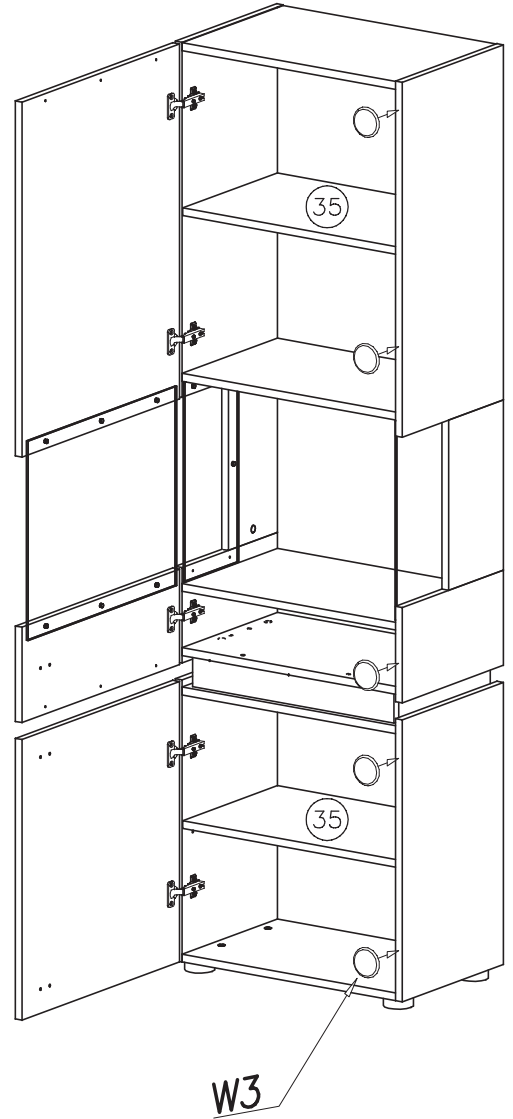
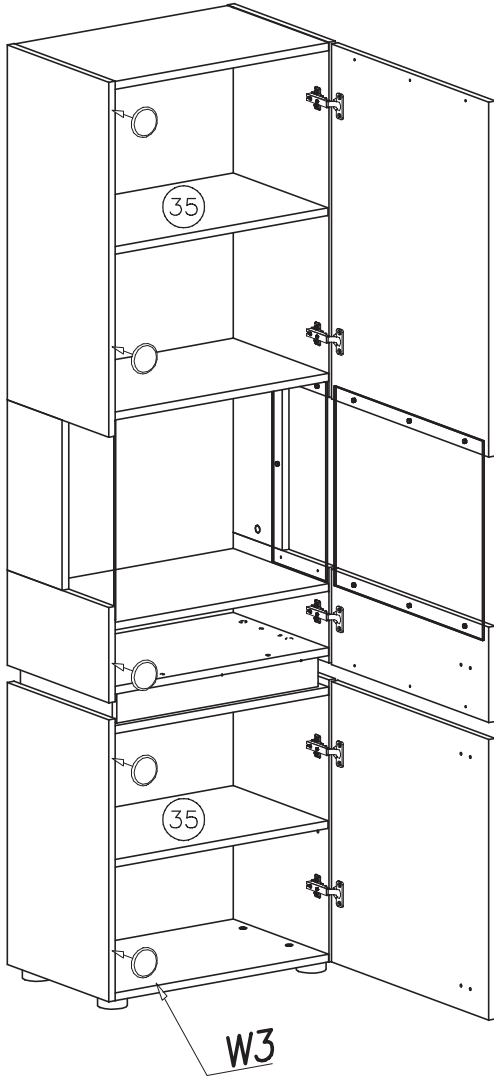
XVIII

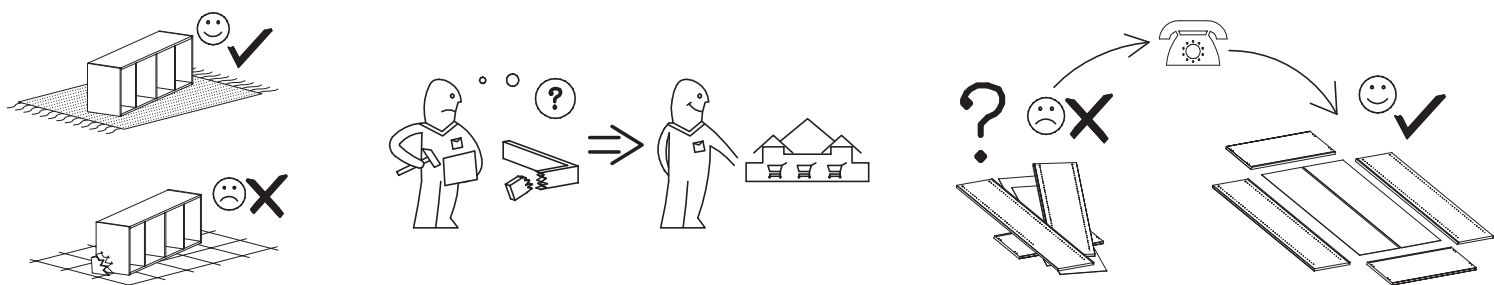




XIX

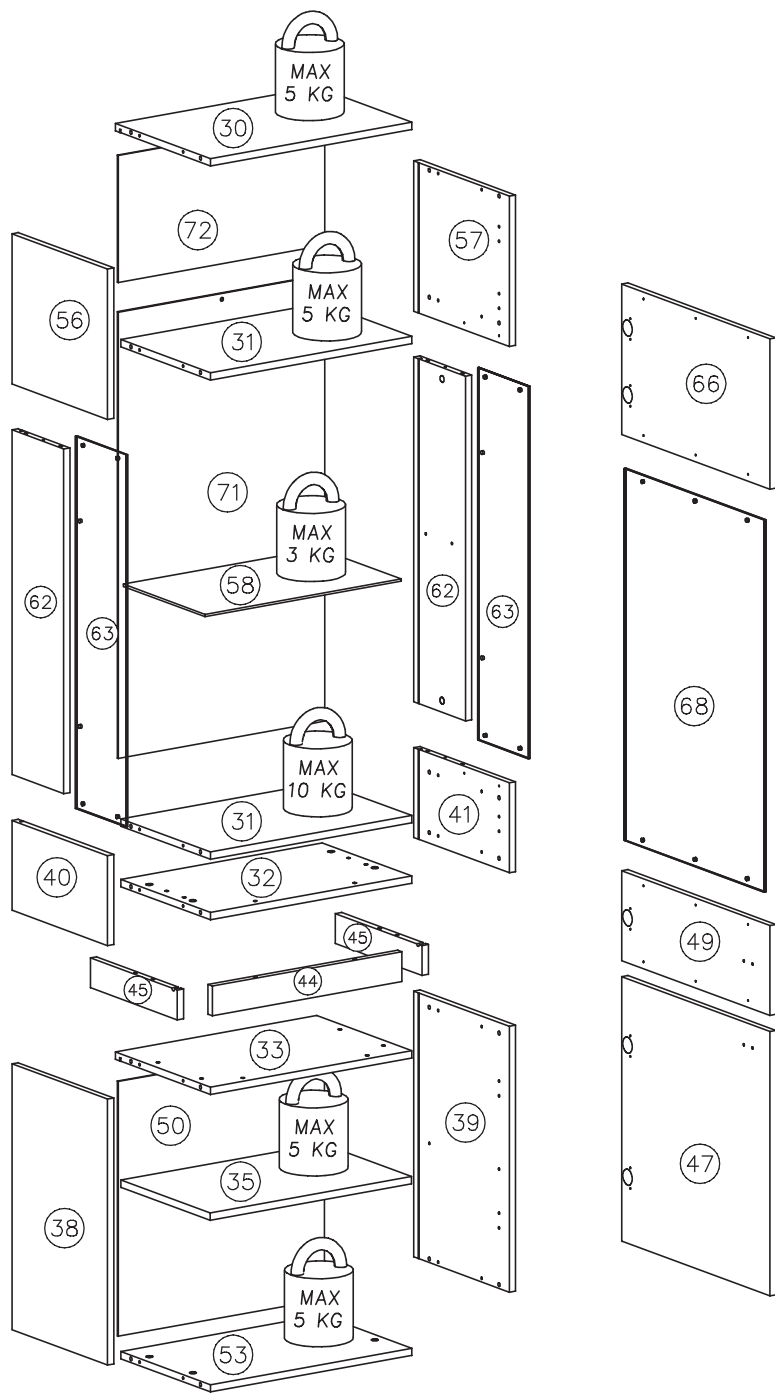
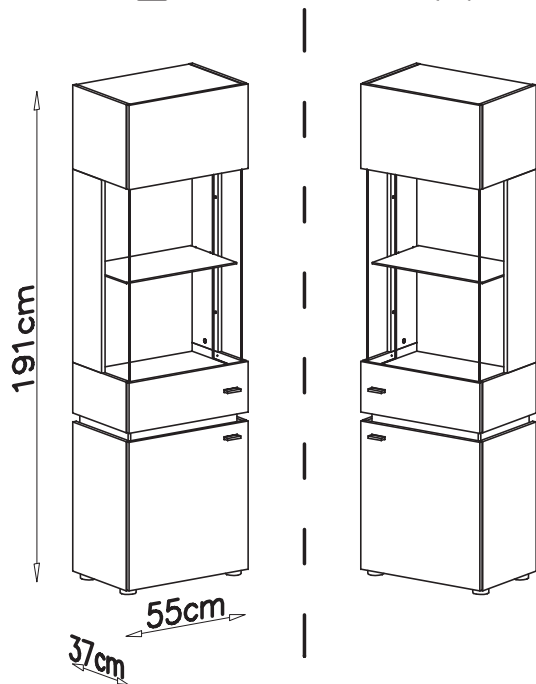
E87 32mm x...(2)		G8 4x30 x...(4)		W3 x...(5)	
I9 ø12 x...(26)		I7 ø18 x...(22)		F2 x...(8)	



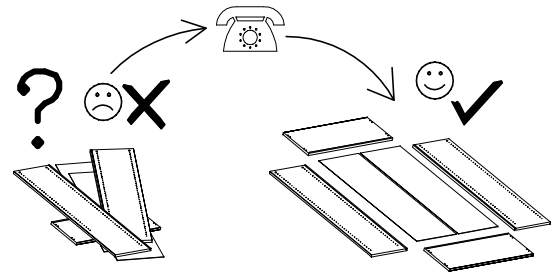
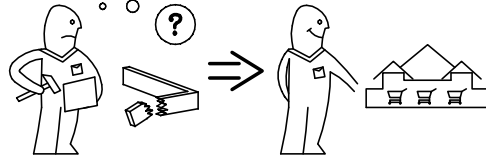
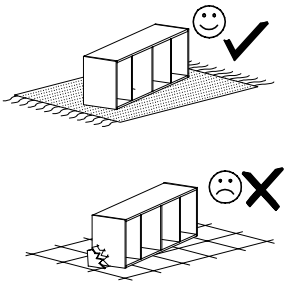


L

R

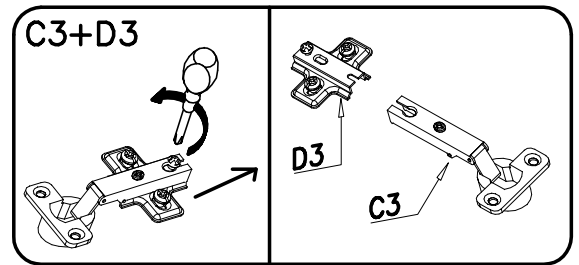
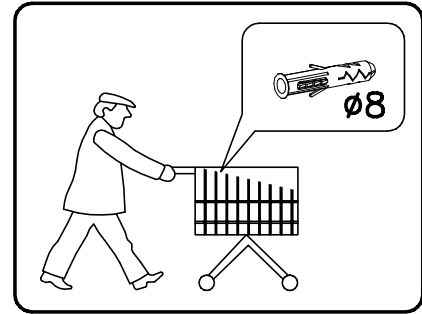
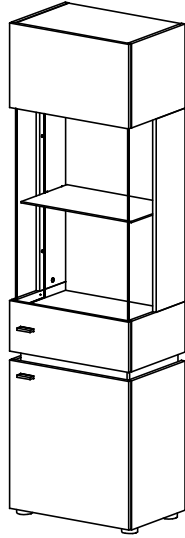
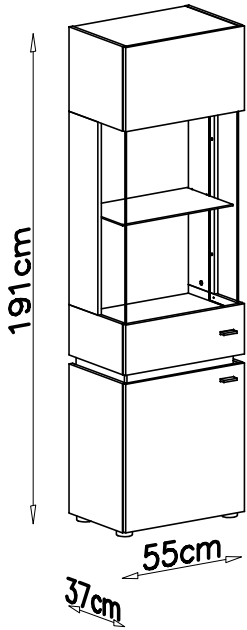


nr	L[mm]	B[mm]	T[mm]	Menge	Coll
30	518	350	16	1	5/7
31	518	330	16	2	5/7
32	518	330	16	1	5/7
33	518	350	16	1	5/7
35	518	330	16	1	5/7
38	580	351	16	1	5/7
39	580	351	16	1	5/7
40	196	351	16	1	5/7
41	196	351	16	1	6/7
44	486	65	16	1	6/7
45	319	65	16	2	6/7
47	545	577	16	1	6/7
49	545	196	16	1	6/7
50	530	555	3	1	6/7
53	518	330	16	1	5/7
56	328	351	16	1	5/7
57	328	351	16	1	6/7
58	506	300	5	1	6/7
62	752	190	16	2	6/7
63	186	812	4	2	6/7
66	545	328	16	1	6/7
68	514	812	4	1	6/7
71	530	976	3	1	6/7
72	530	275	3	1	6/7
BESCHLAGE					1/7
LED					7/7

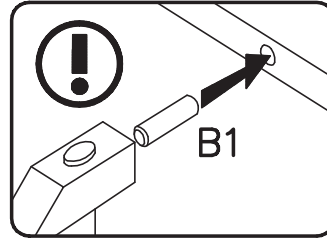
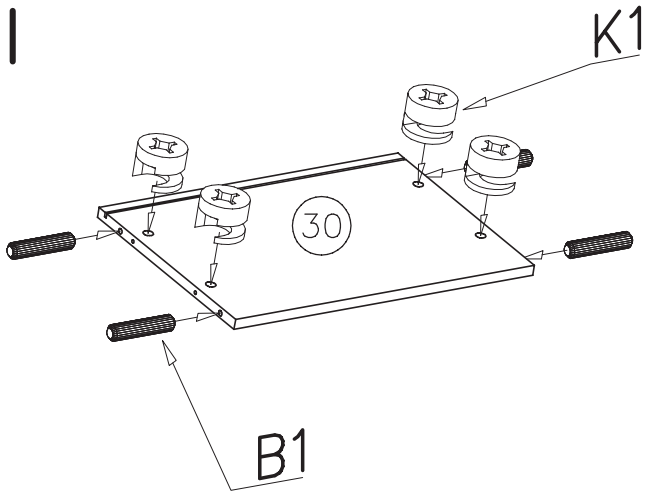




L

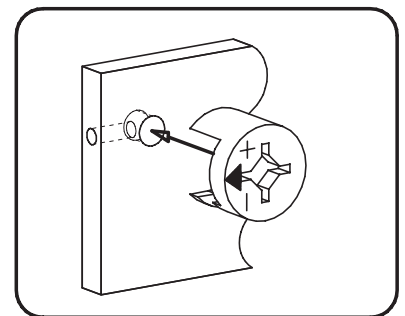
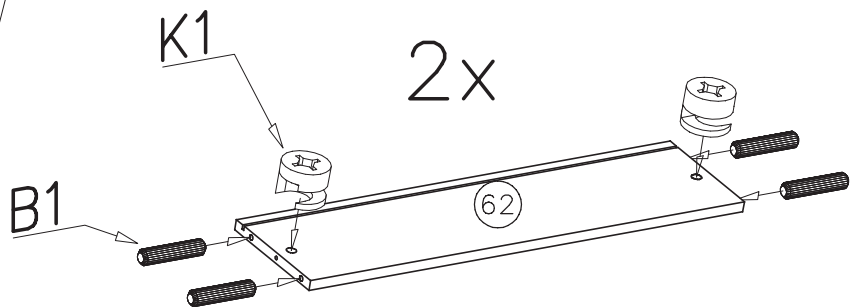
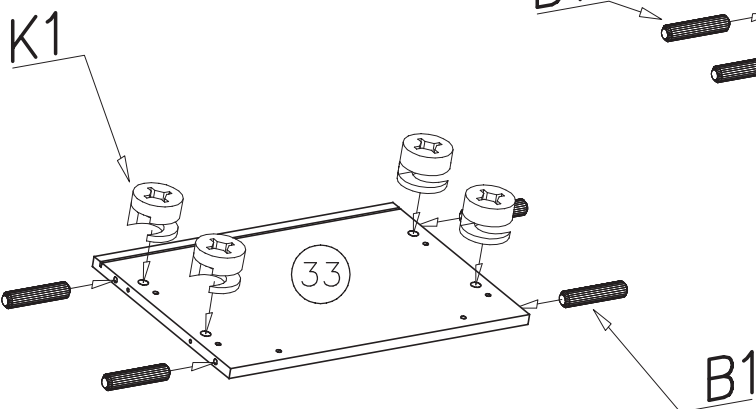
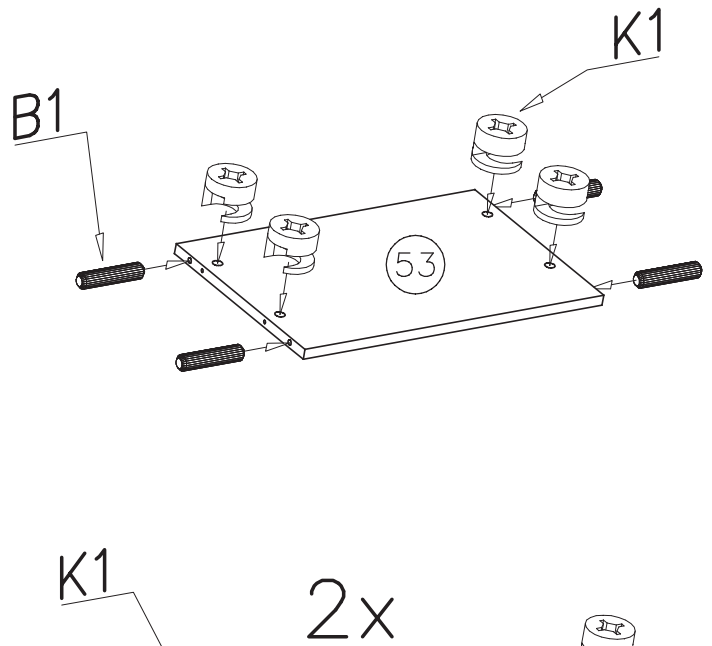
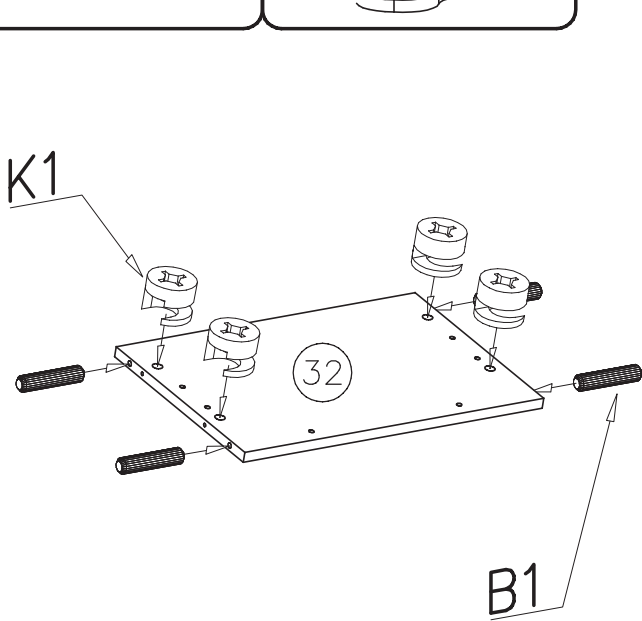
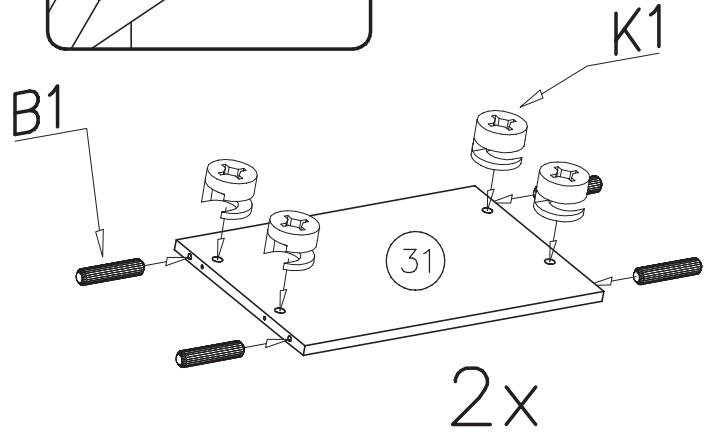
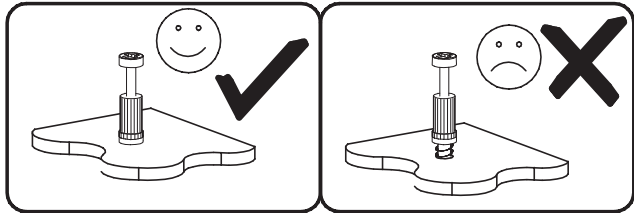
R



W10-P x...(1)	F6 x...(4)	G10 6x13 x...(4)	F2 x...(4)	
W10-400 400mm x...(1)	W1 x...(1)	G28 4x60 x...(1)	G56 4x16 x...(18)	I3 x...(18)
W10-250 2x250mm x...(2)	E87 32mm x...(2)	G8 4x30 x...(4)	P20 x...(4)	G12 4x25 x...(4)
A1 Ø7x50 x...(12)	K10 25mm x...(28)	I1 x...(10)	K1 Ø15x12 x...(28)	S2 x...(4)
W2 x...(1)	B1 Ø8x35 x...(32)	G34 3,5x16 x...(24)	W3 x...(5)	C3+D3 x...(5)
			M11 x...(1)	Z35PR x...(5)

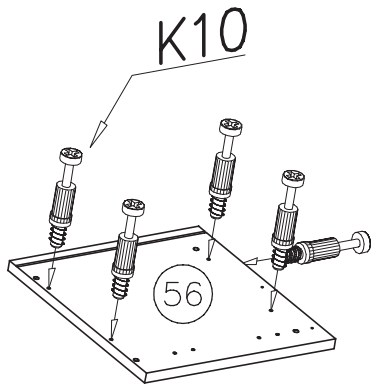


- B1 
 $\varnothing 8 \times 35$ x...(32)
- K1 
 $\varnothing 15 \times 12$ x...(28)

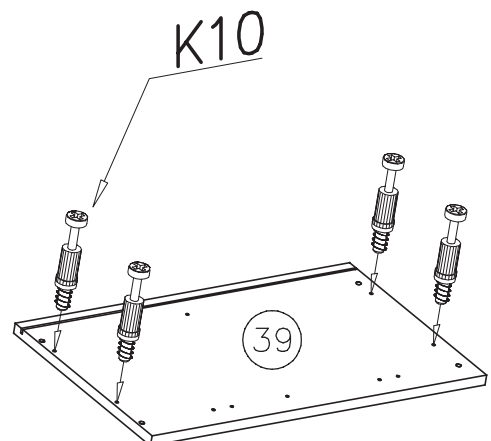
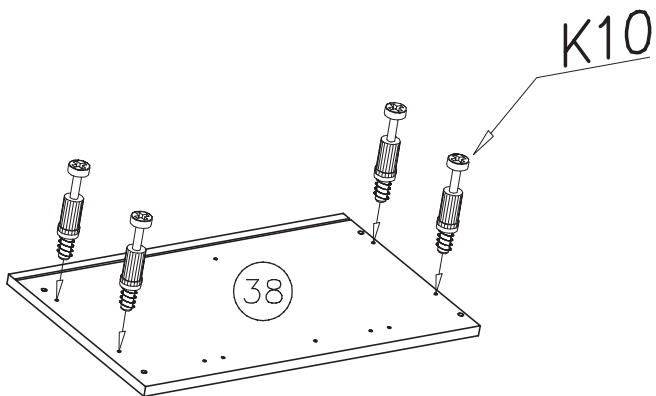
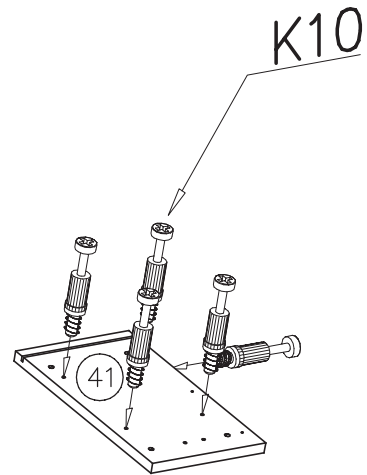
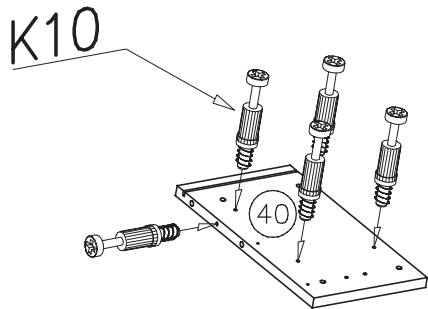
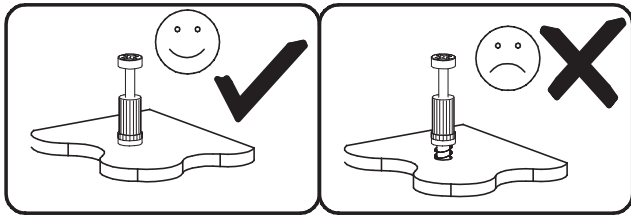
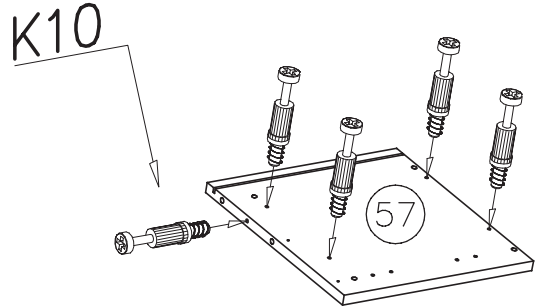


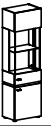


II



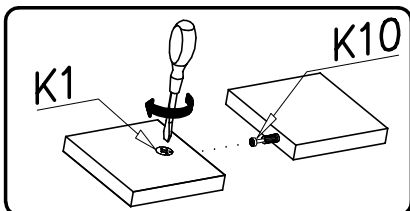
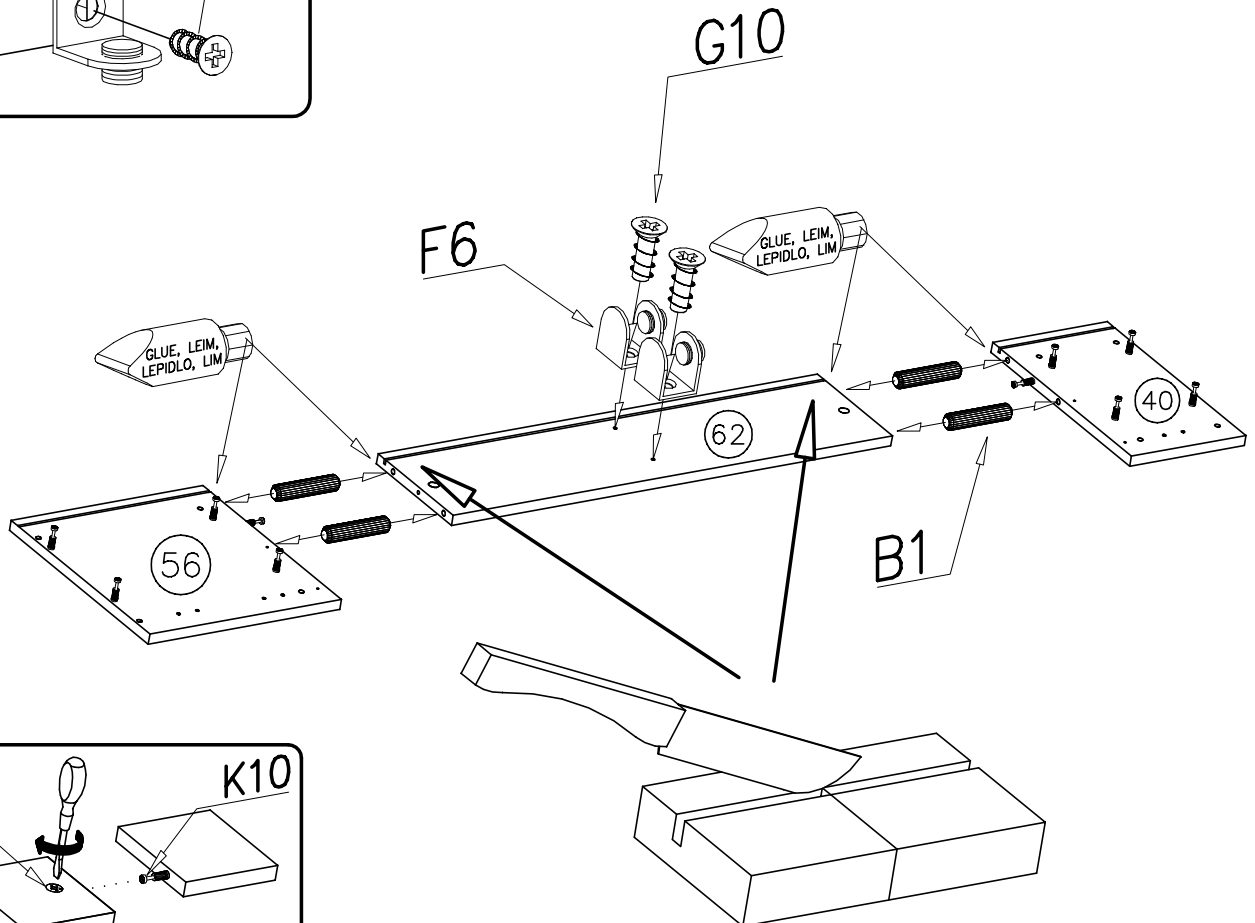
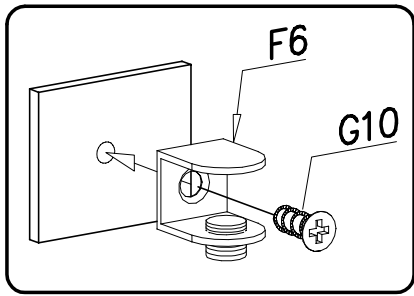
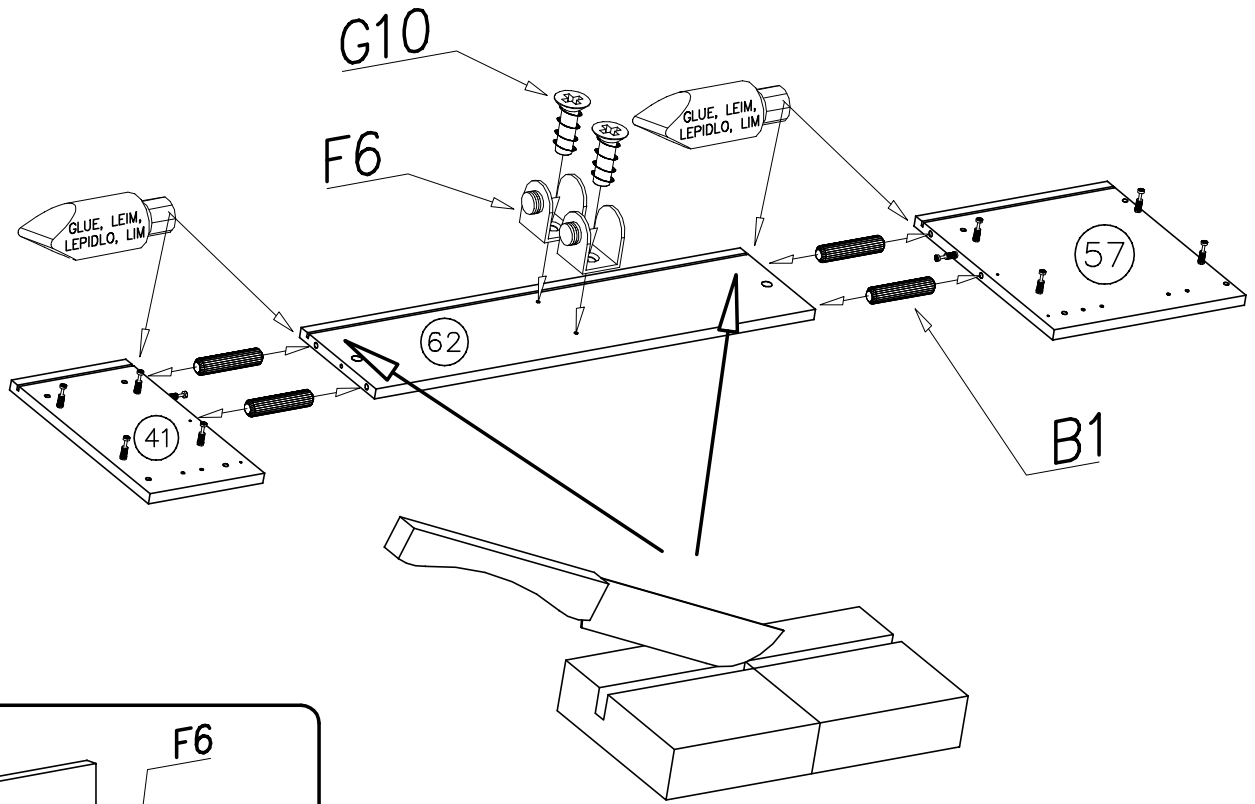
K10
25mm x...(28)





III

F6		G10		B1		W1	
	x...(4)	6x13	x...(4)	ø8x35	x...(8)		x...(1)

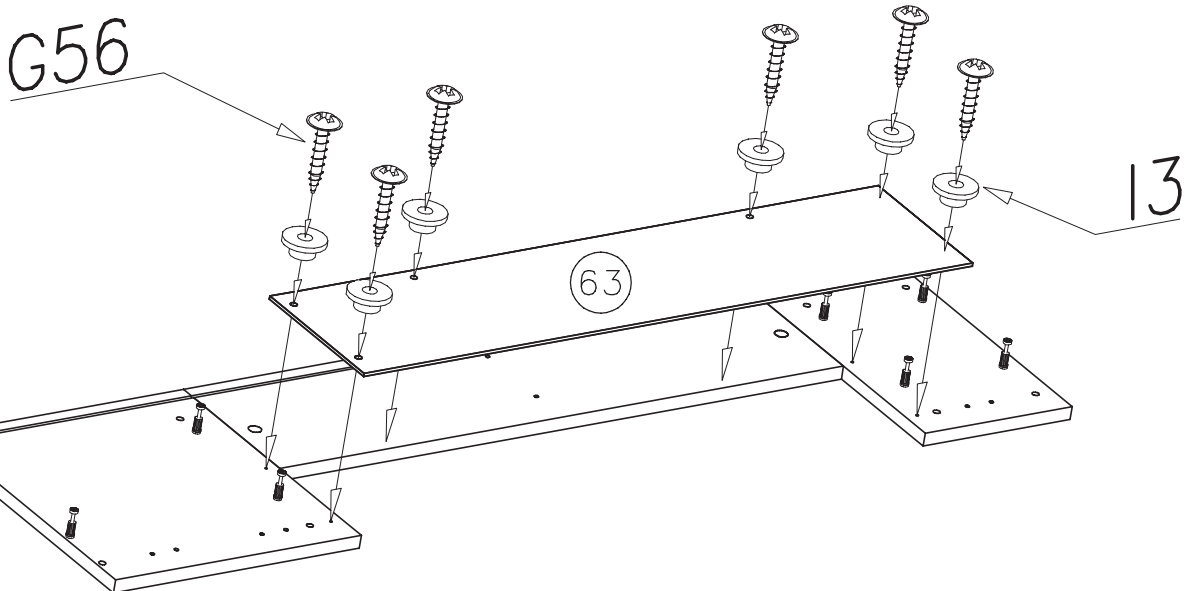
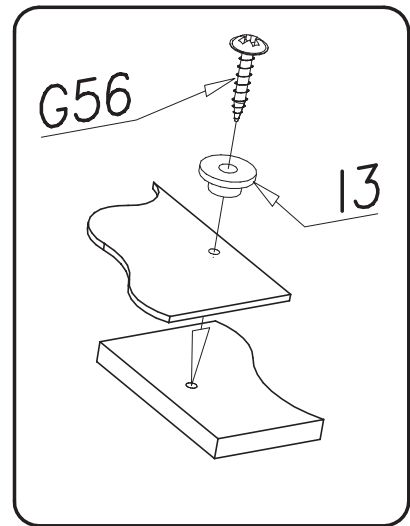
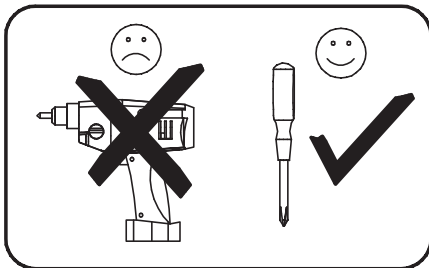
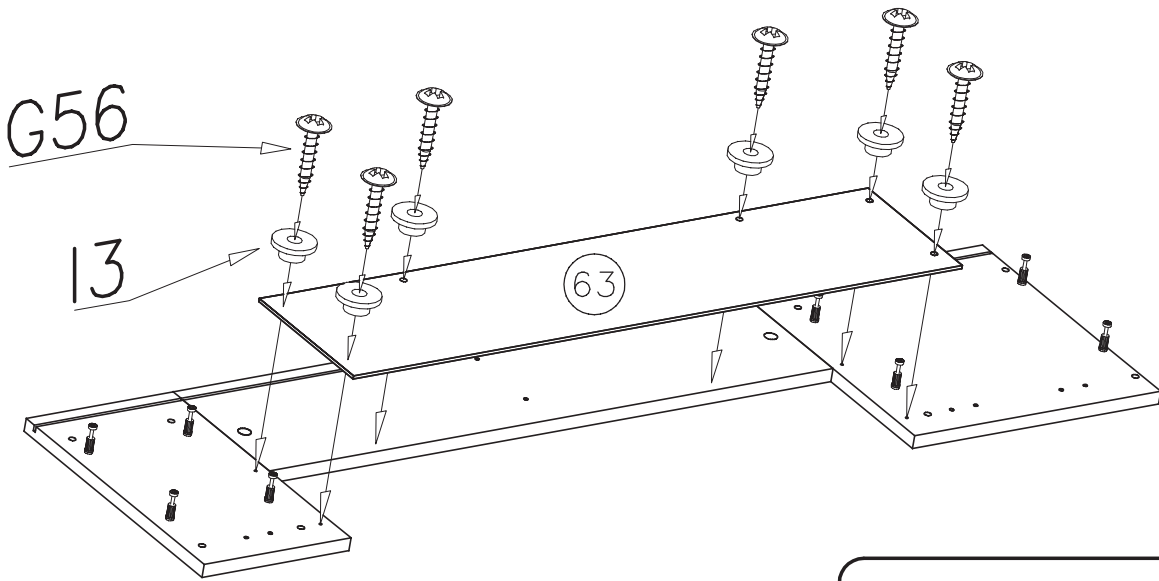




IV

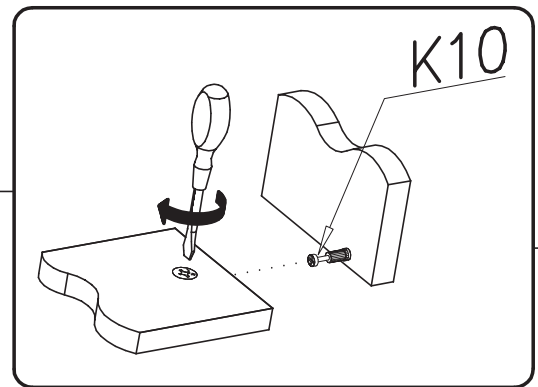
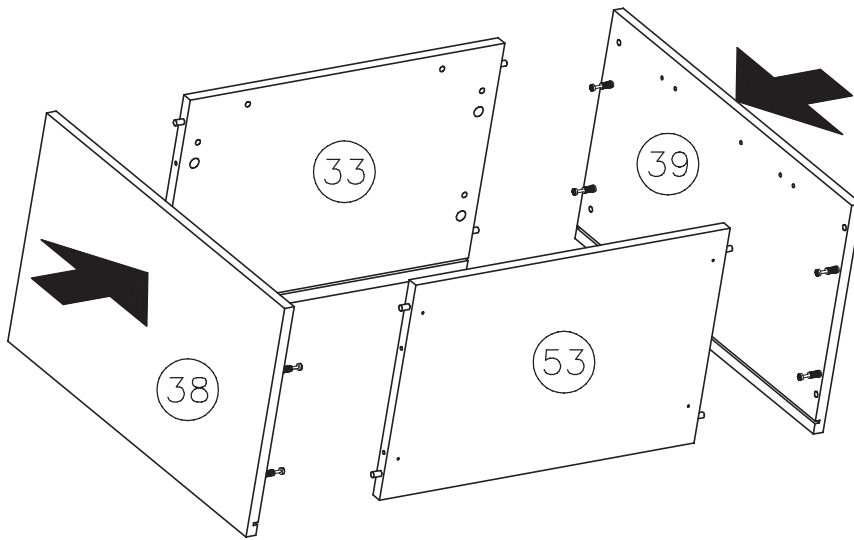
G56
4x16 x...(12)

I3
x...(12)

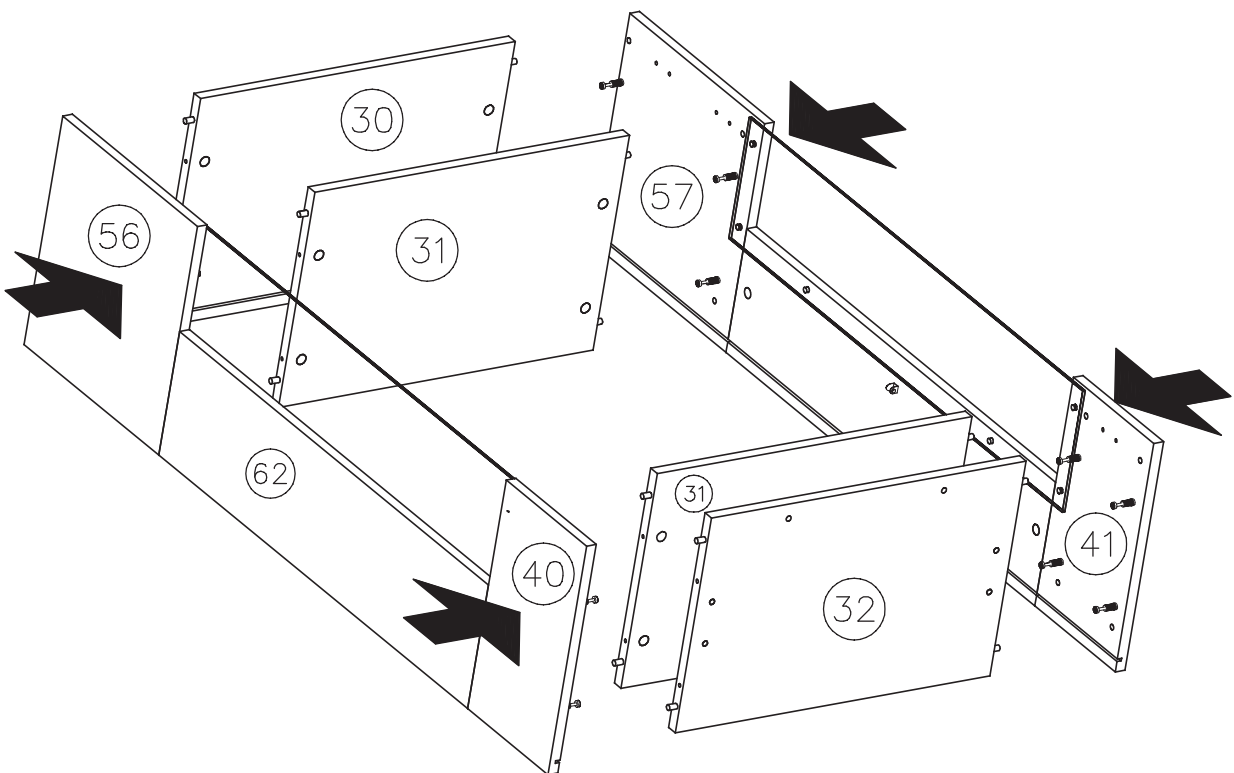




V



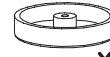
VI





VII

P20



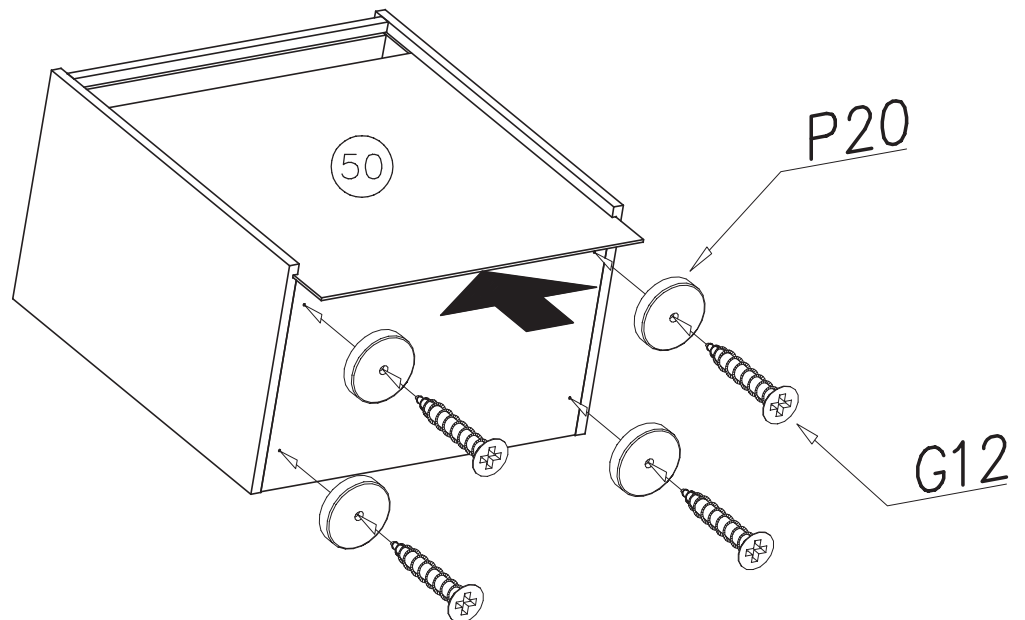
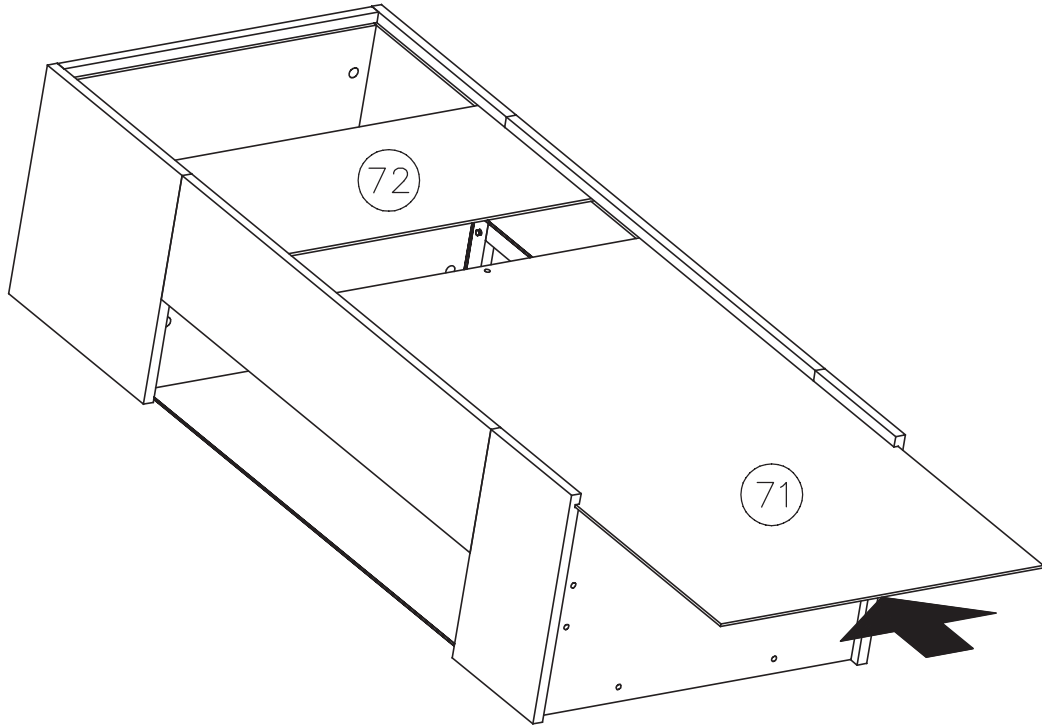
x...(4)

G12



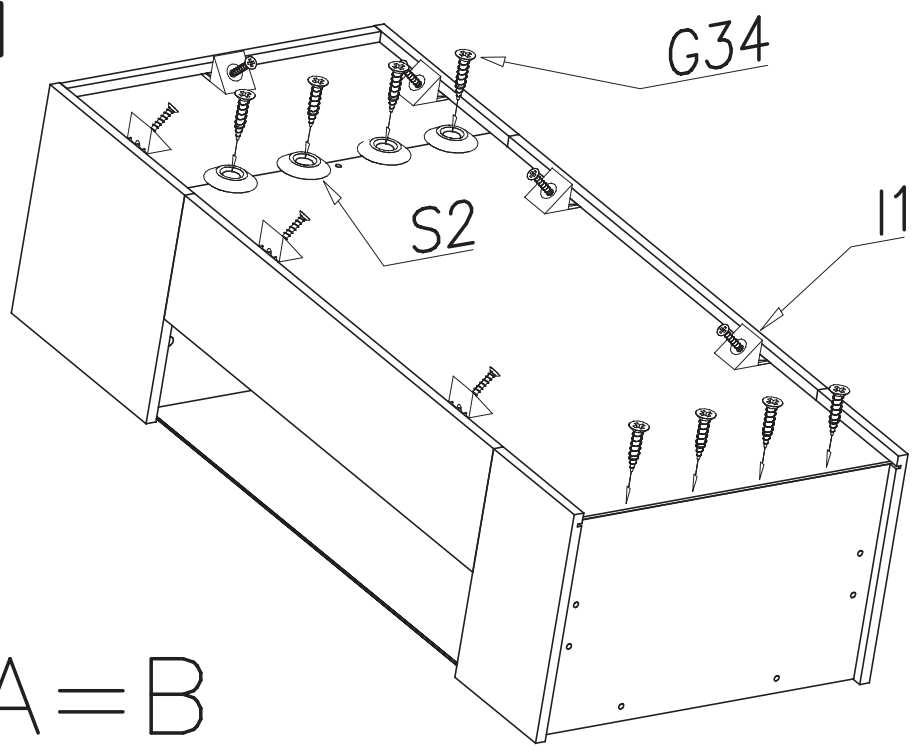
4x25


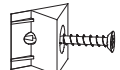

x...(4)

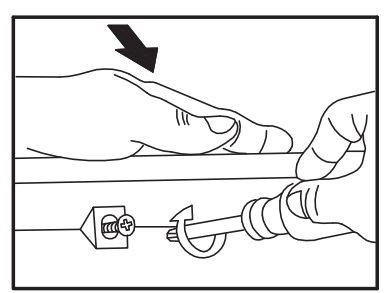
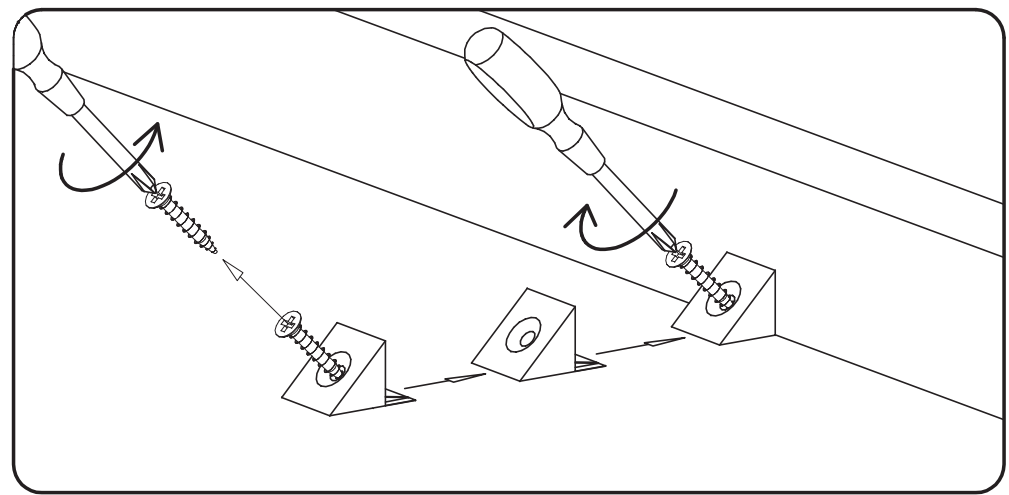
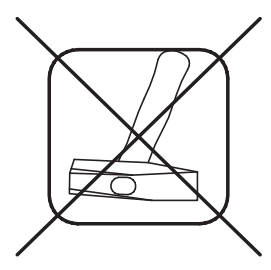
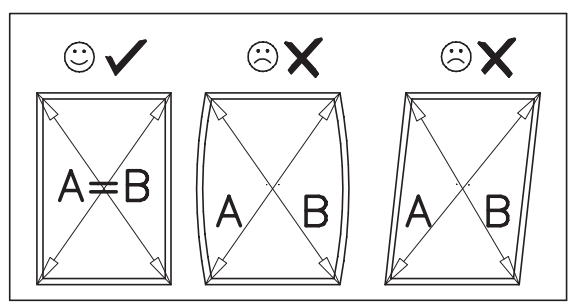
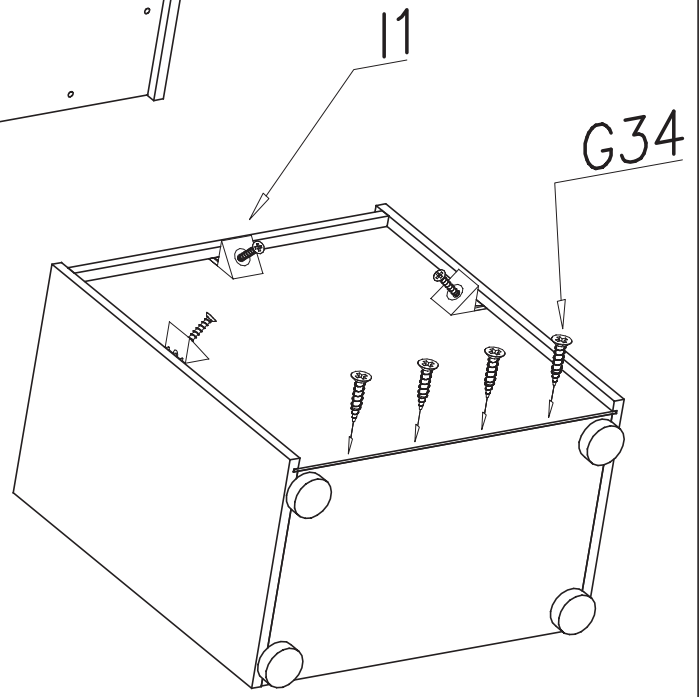
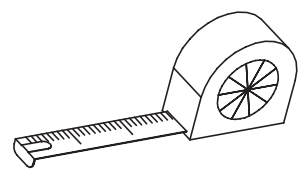


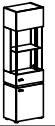


VIII



- G34  3,5x16 x...(12)
- I1  x...(10)
- S2  x...(4)

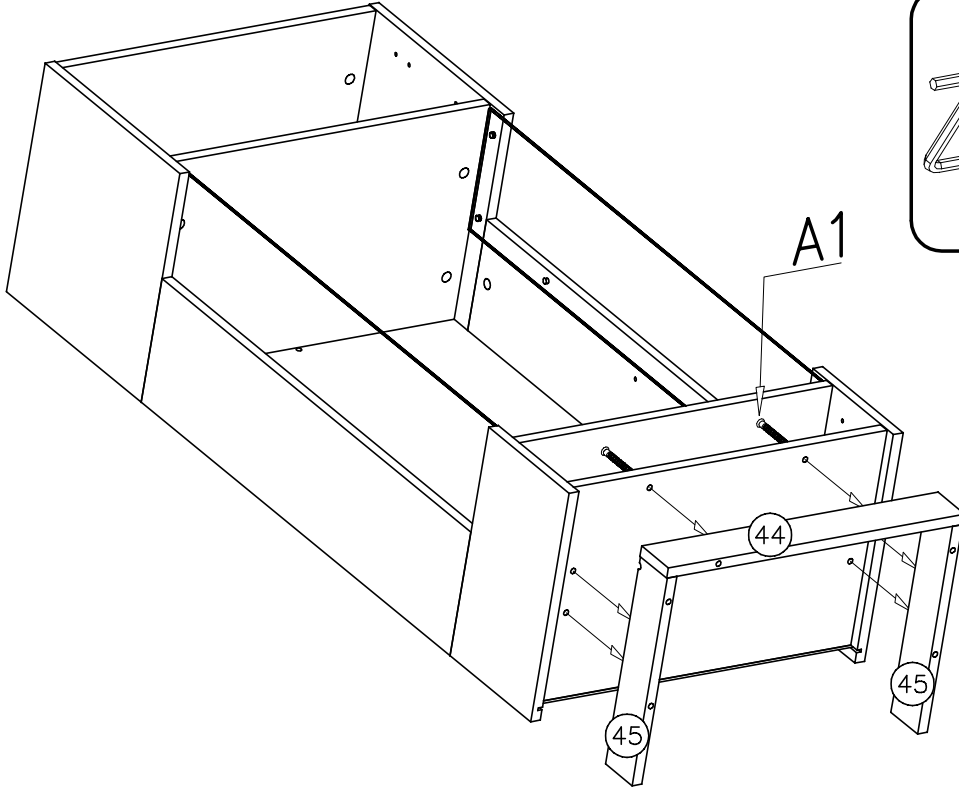
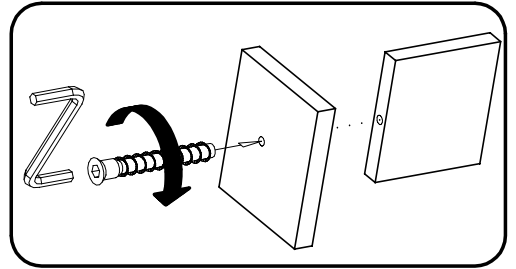




IX

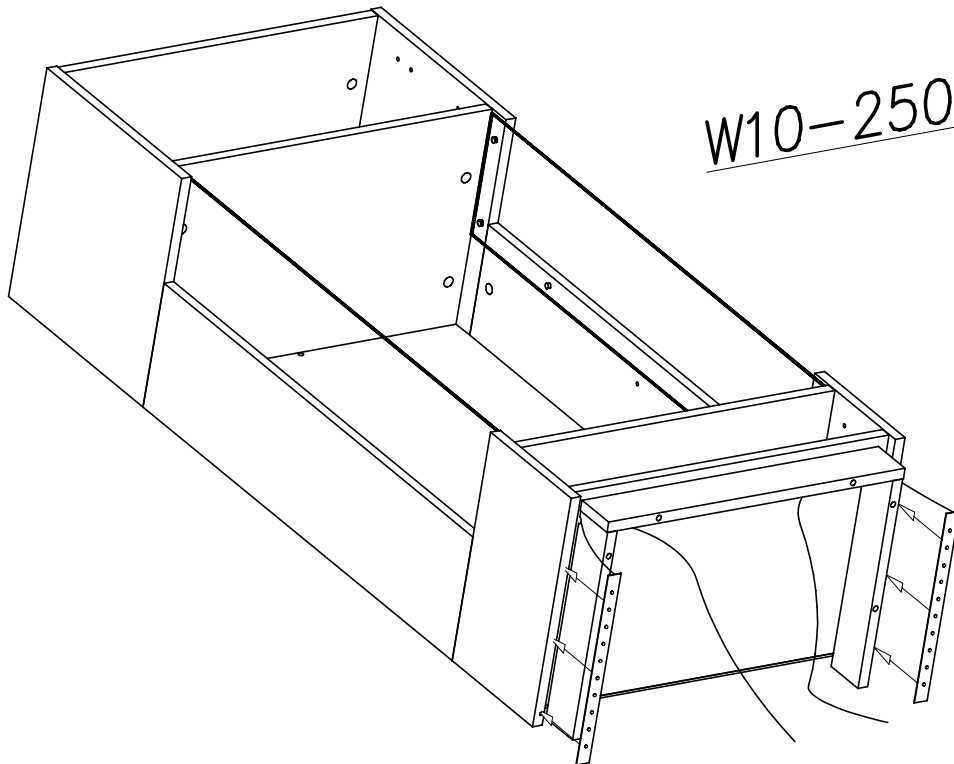
A1
ø7x50 x...(6)

W2
x...(1)

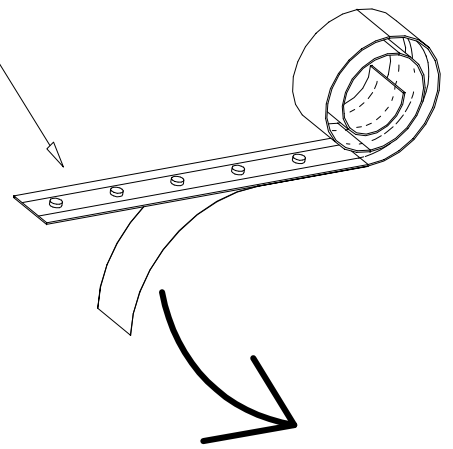


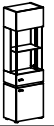
W10-250
2x250mm
x...(2)

X



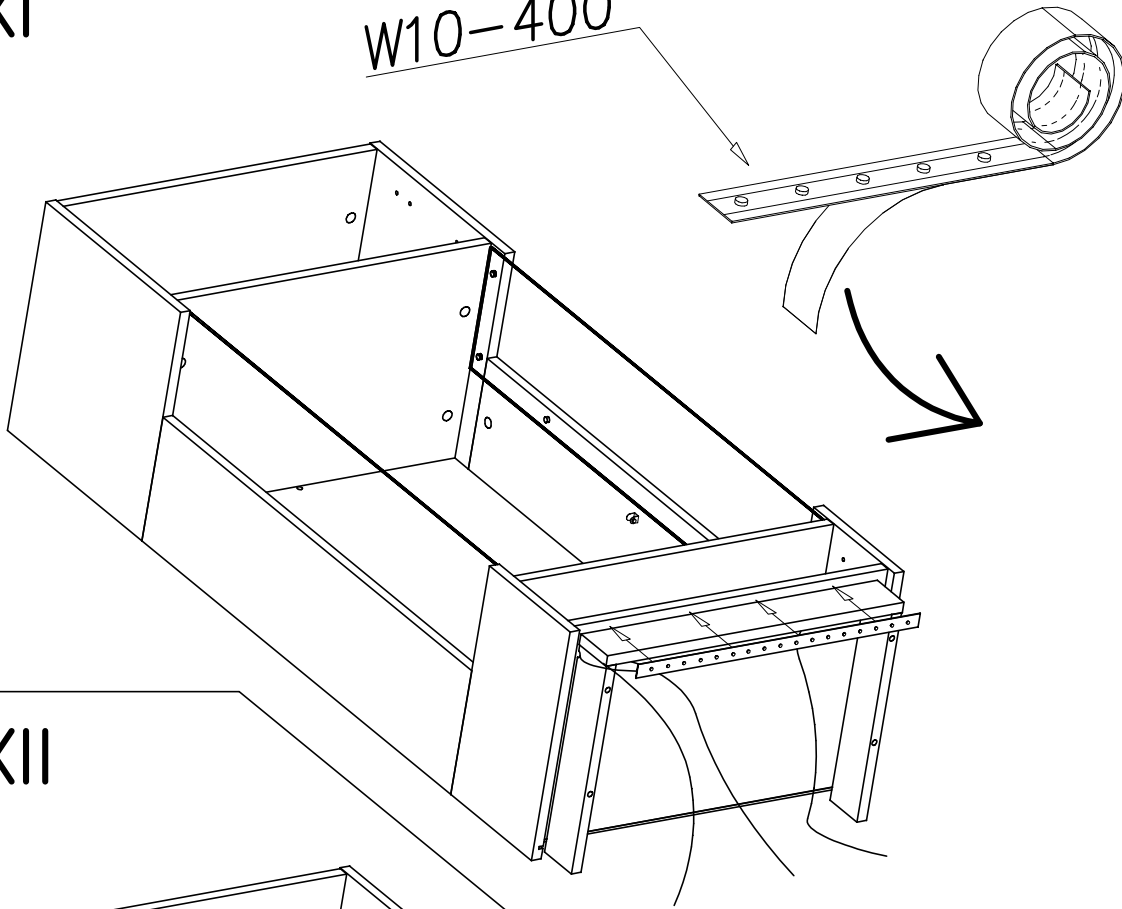
W10-250





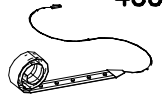
XI

W10-400



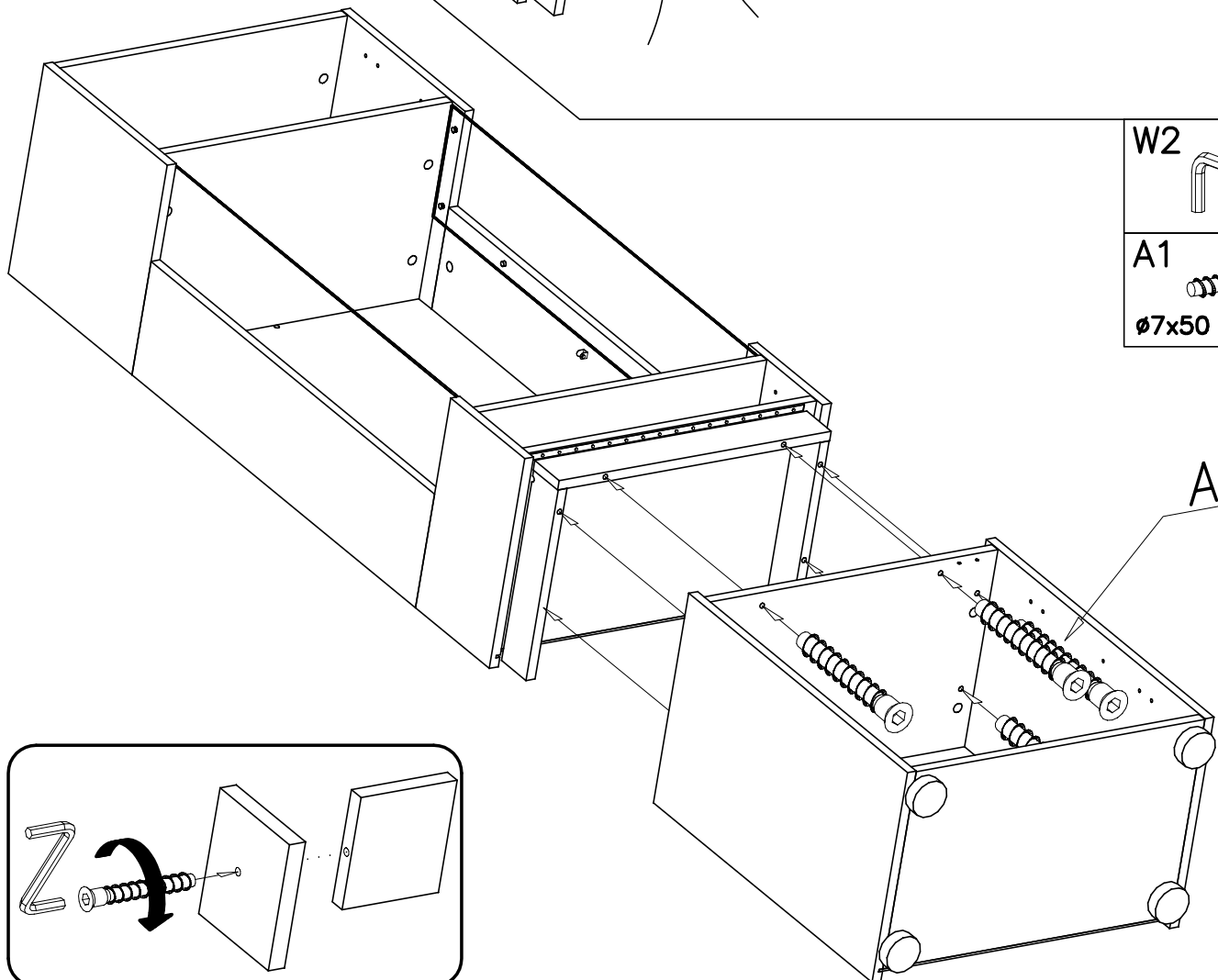
W10-400

400mm

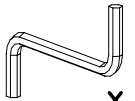


x...(1)

XII



W2



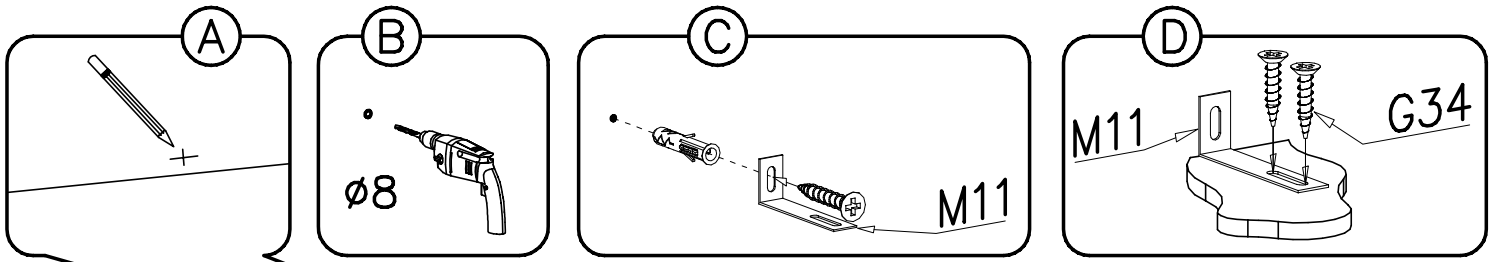
x...(1)

A1

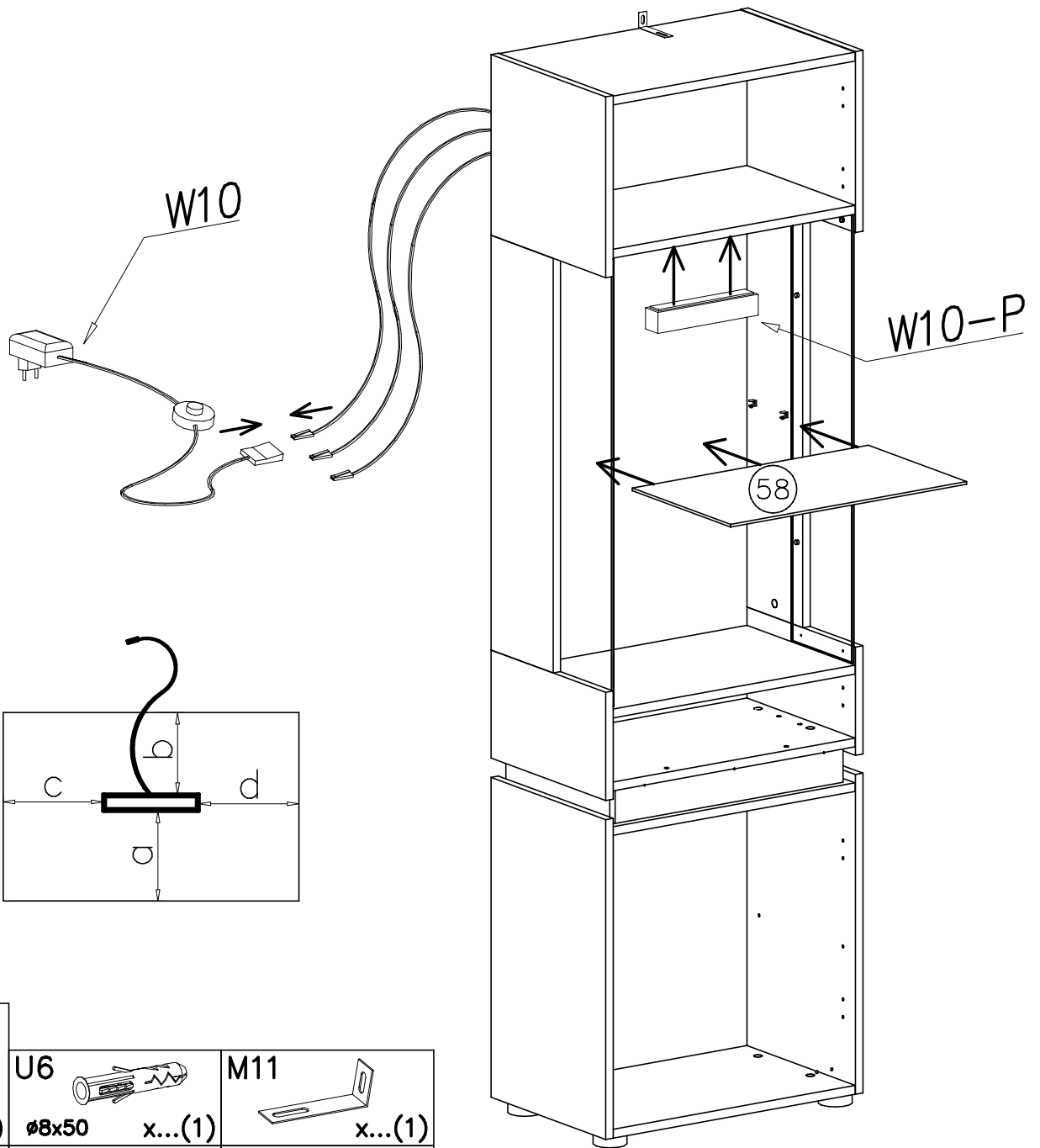


Ø7x50

x...(6)



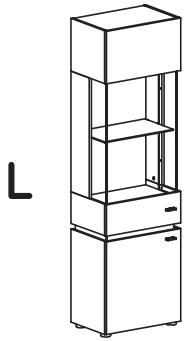
XIII



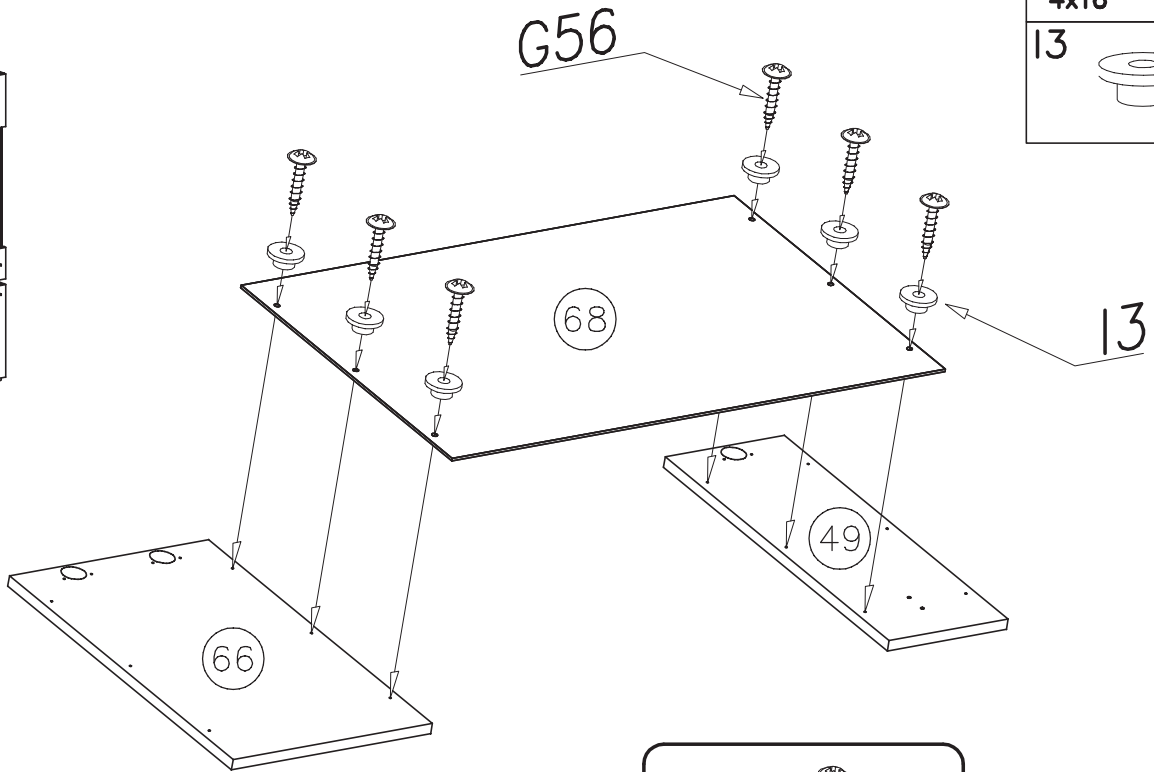
W10 x...(1)	U6 ø8x50 x...(1)	M11 x...(1)
W10-P x...(1)	G28 4x60 x...(1)	G34 3,5x16 x...(2)


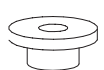


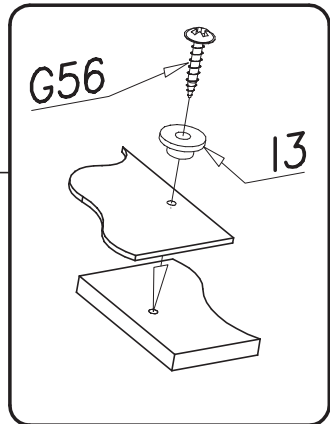
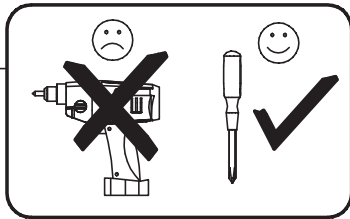
XIV





L



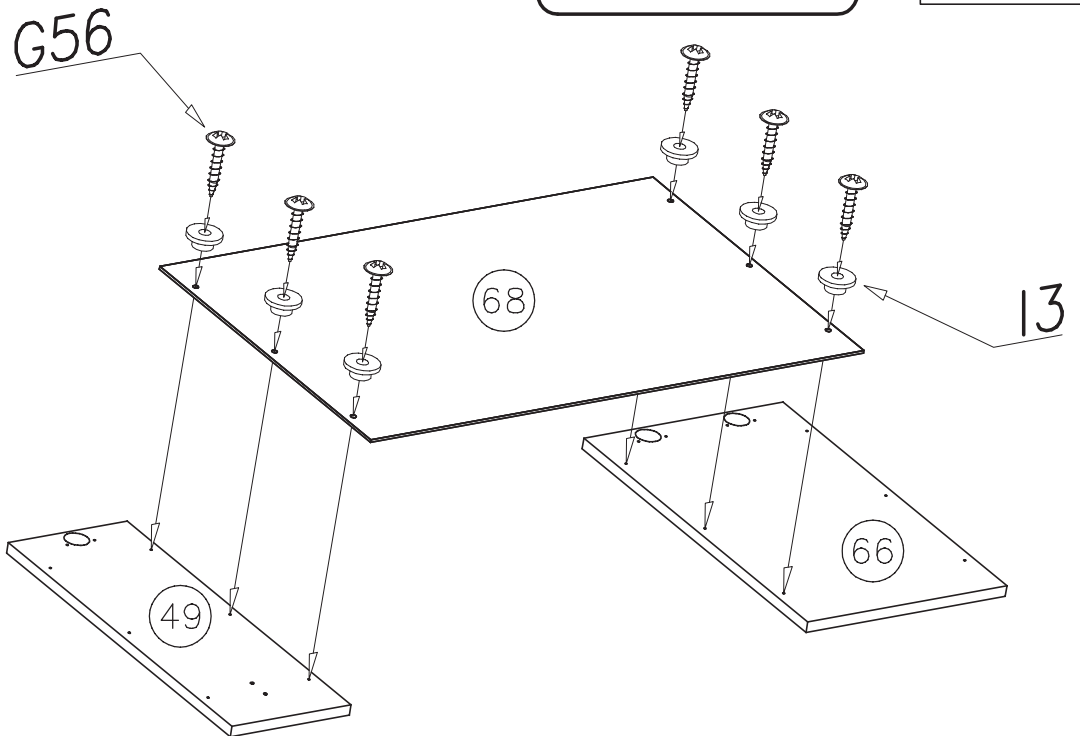
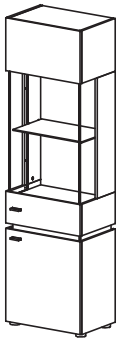
- G56  4x16 x...(6)
- 13  x...(6)





- G56  4x16 x...(6)
- 13  x...(6)

XIV

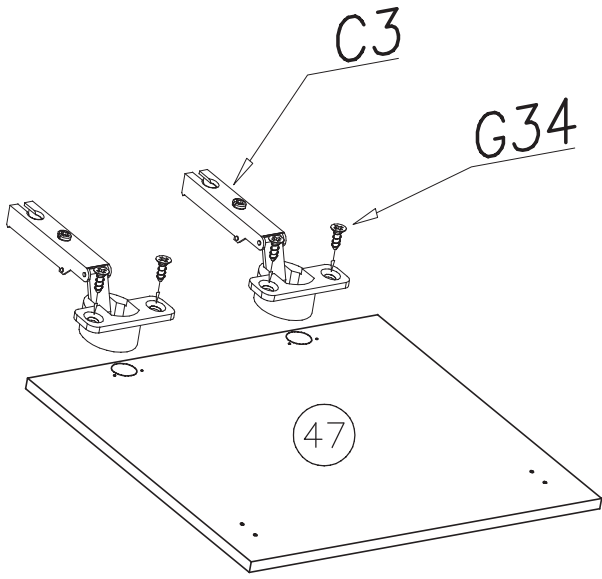
R



- G56  4x16 x...(6)
- 13  x...(6)



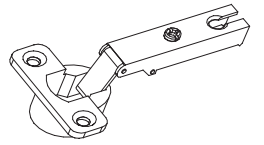
XV



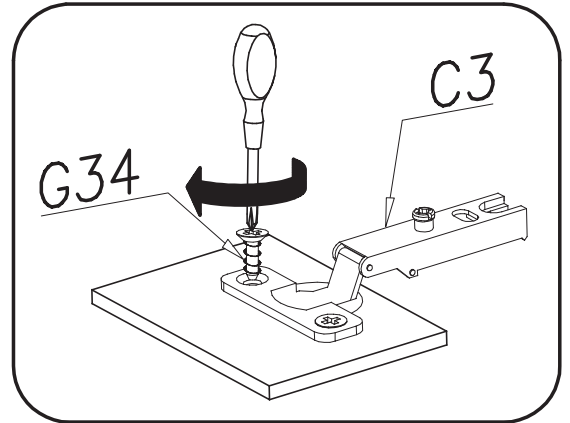
G34
3,5x16 x...(10)



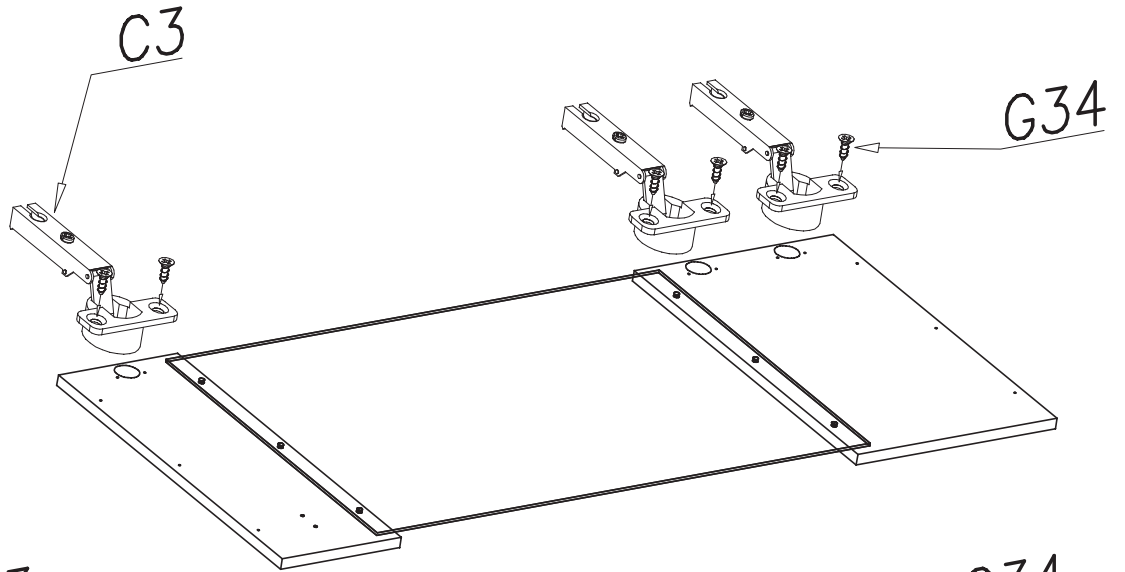
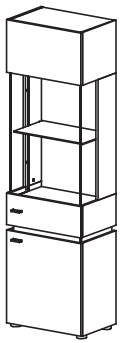
C3



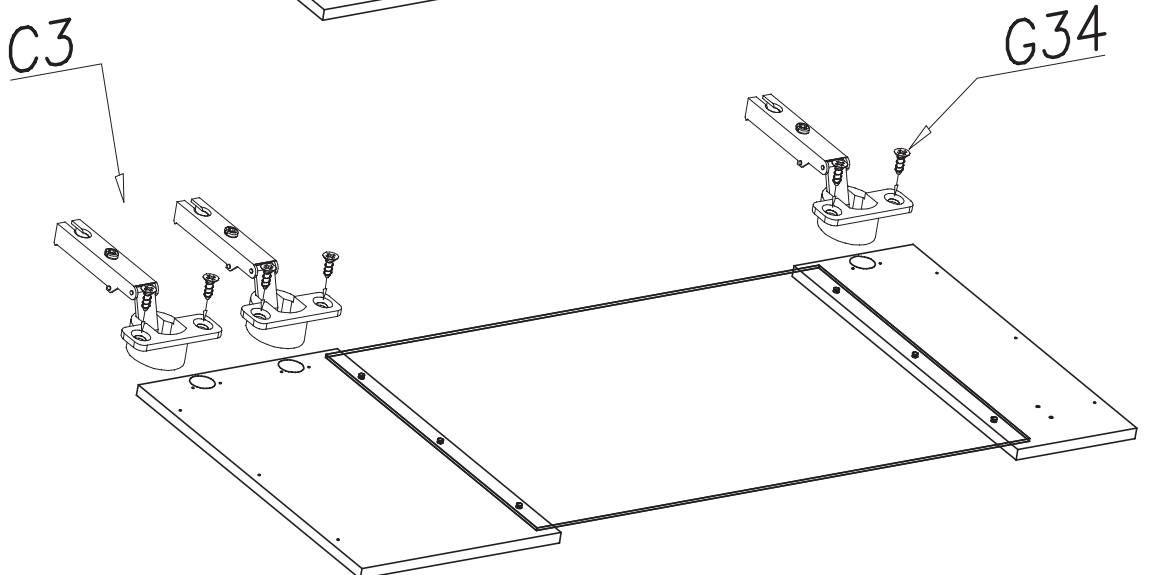
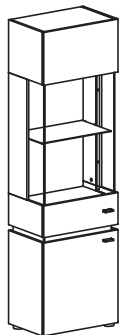
Z35PR x...(5)



R



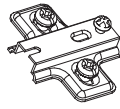
L





XVI

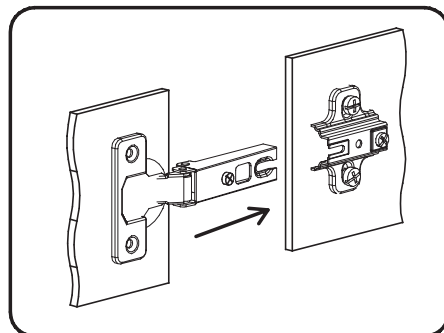
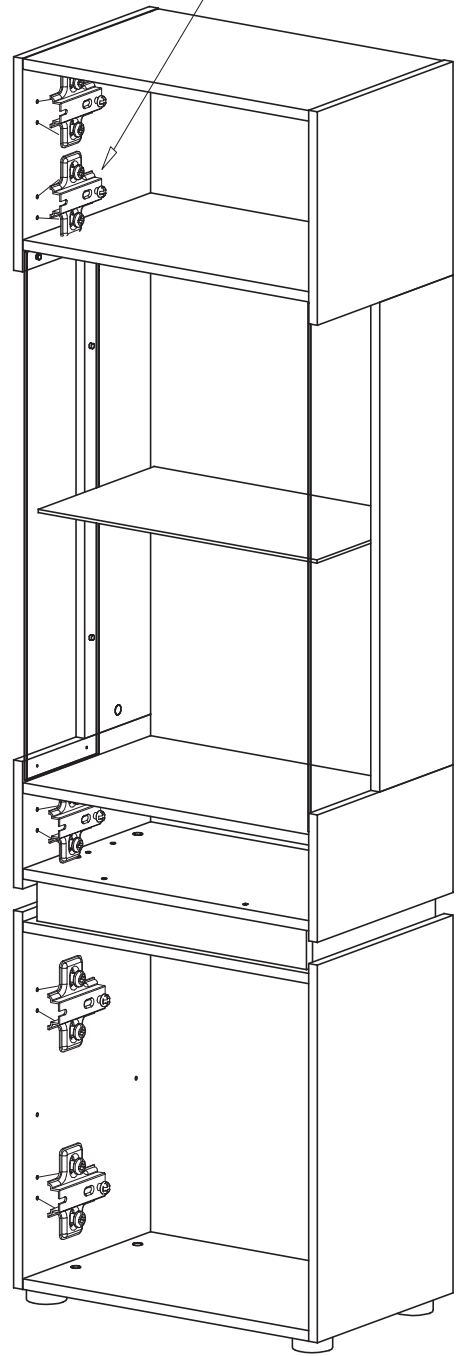
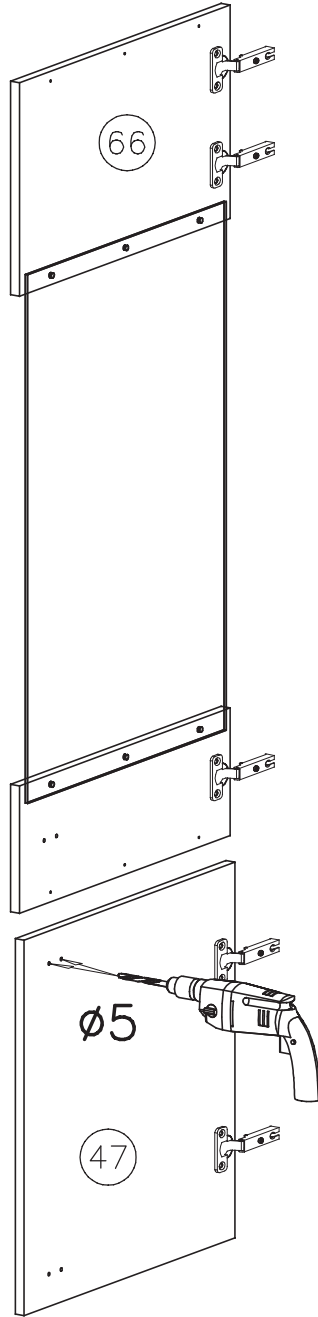
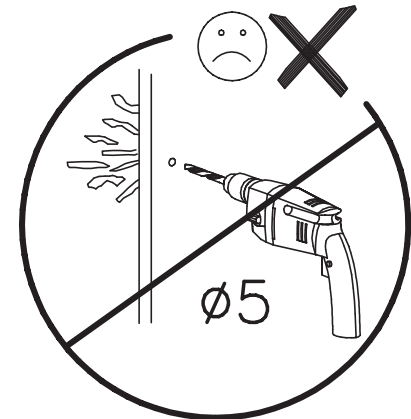
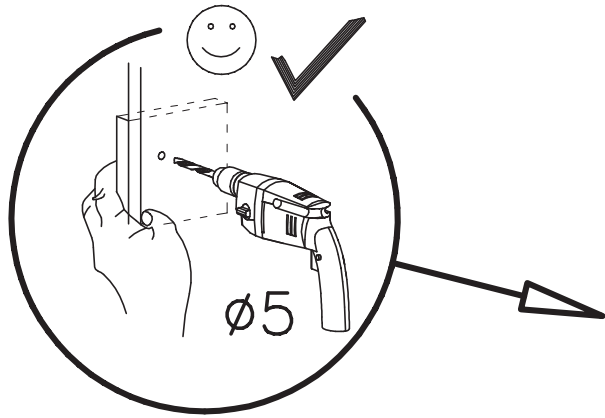
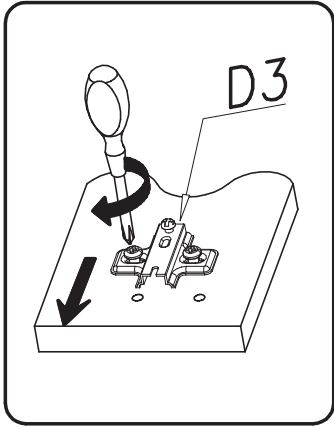
D3



x...(5)

L

D3

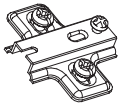




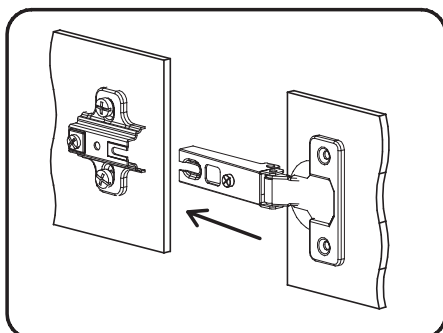
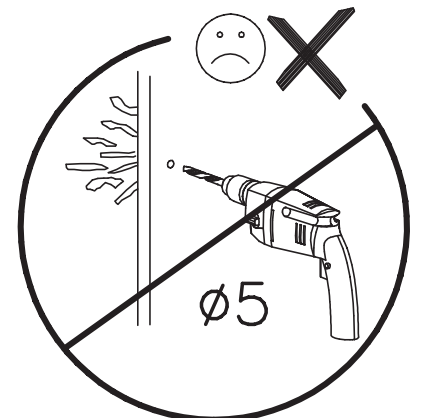
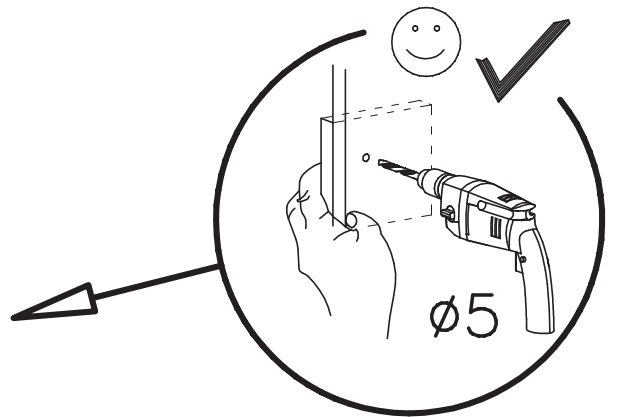
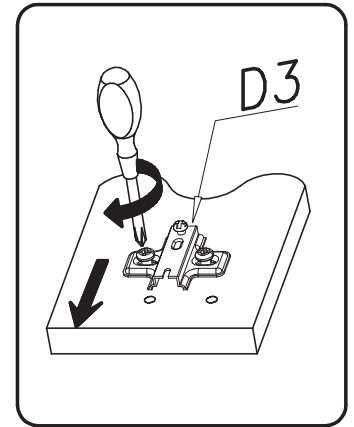
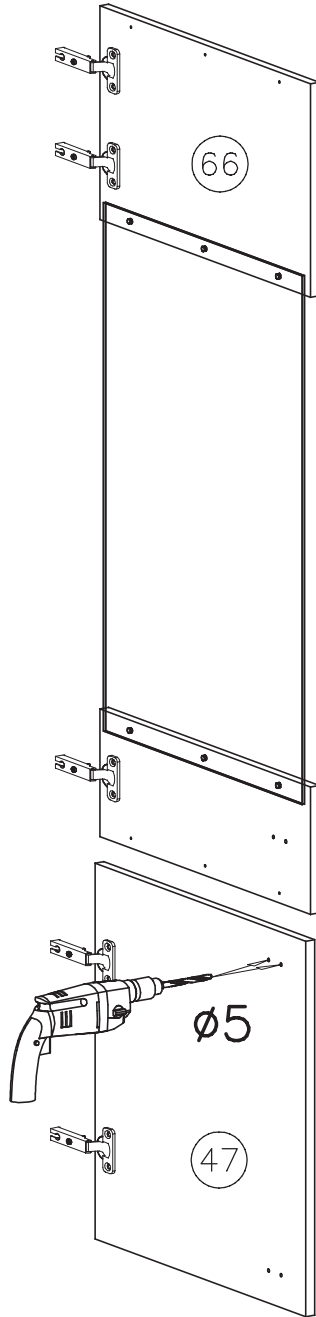
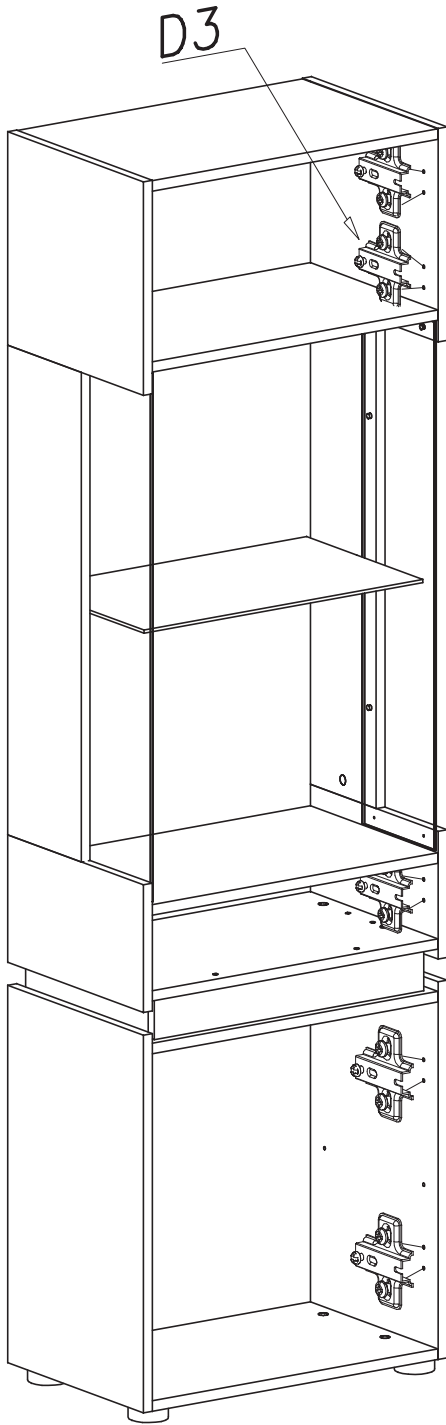
XVII

R

D3

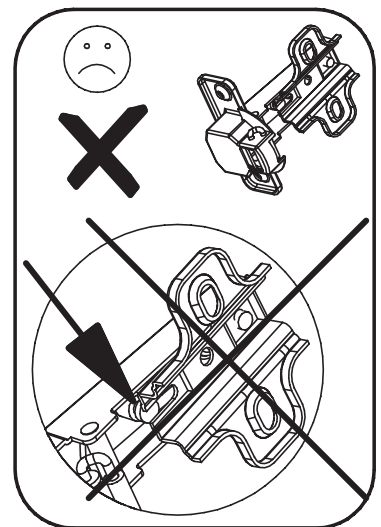
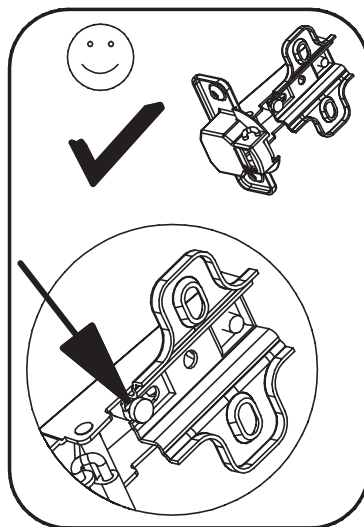
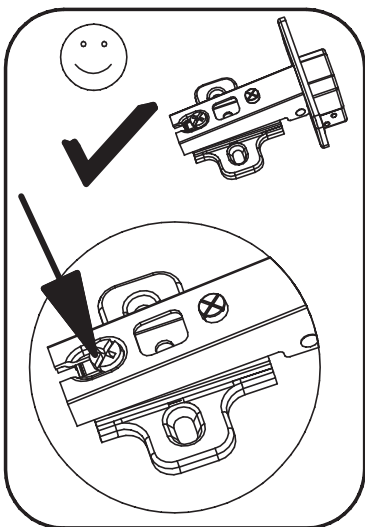
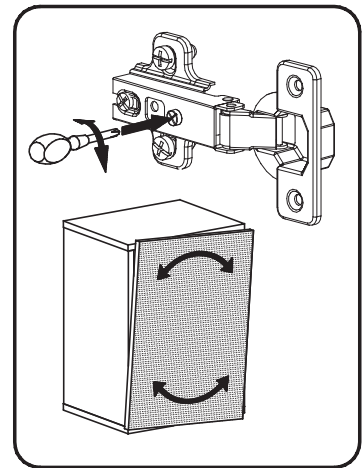
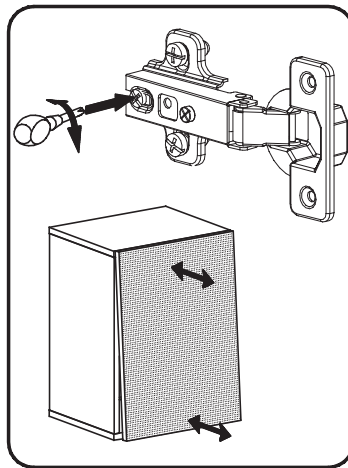
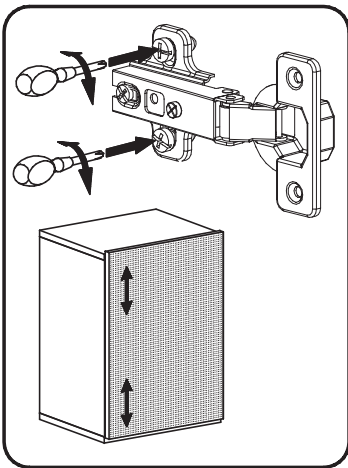
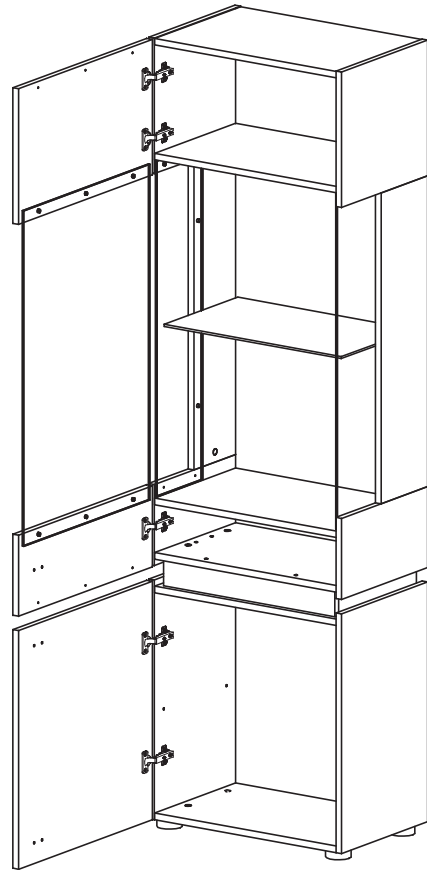
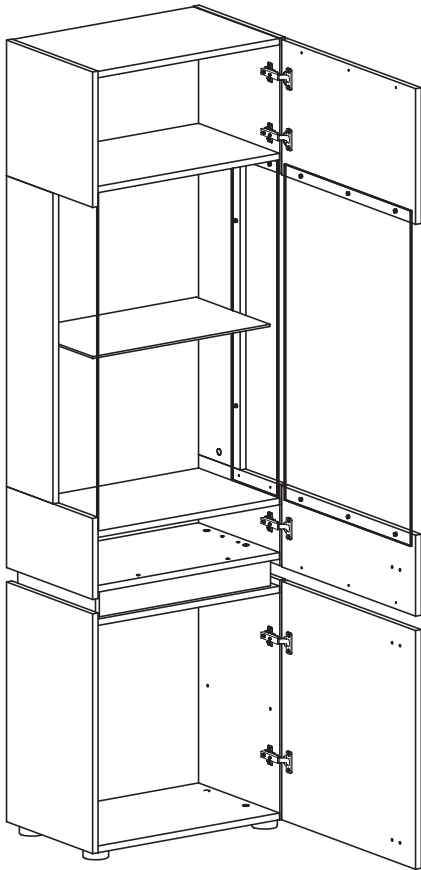


x...(5)





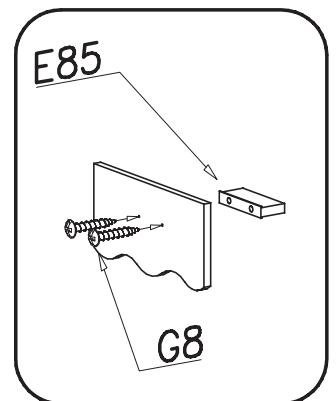
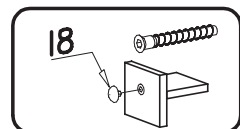
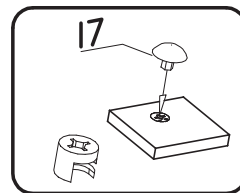
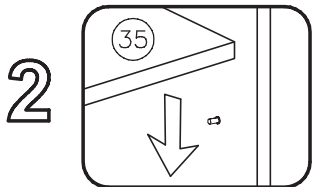
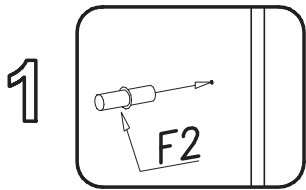
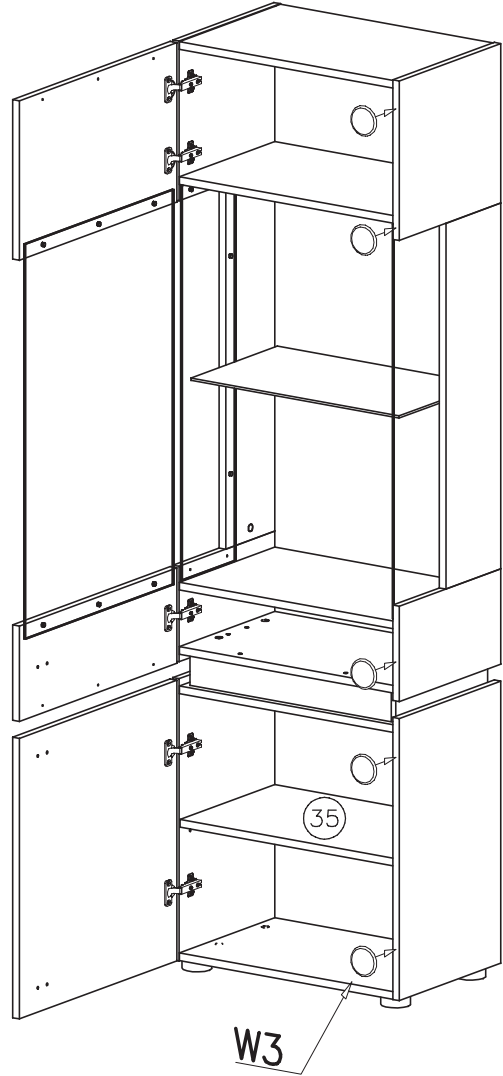
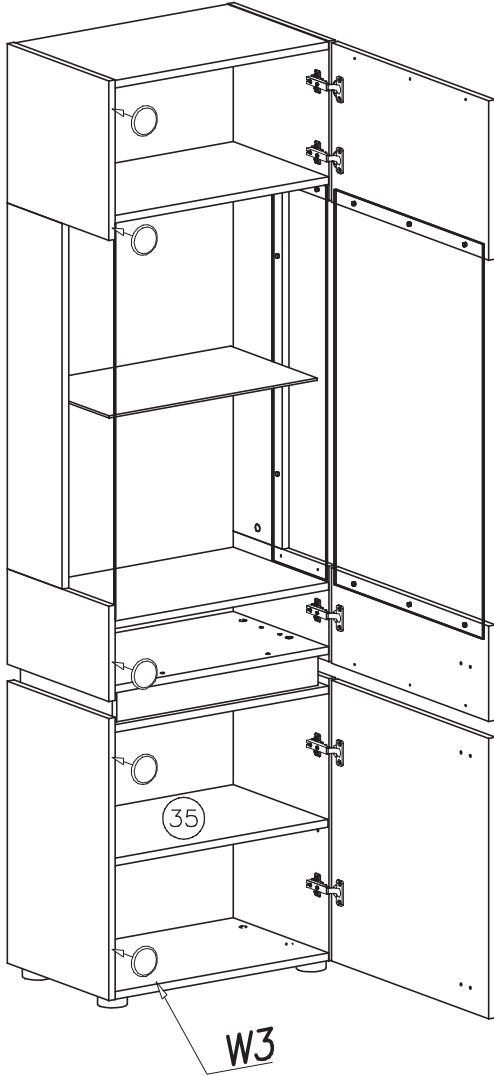
XVIII





XIX

E87 32mm x...(2)		G8 4x30 x...(4)		W3 x...(5)	
I9 ø12 x...(12)		I7 ø18 x...(28)		F2 x...(8)	





Uwaga • Upozornění • Achtung • Attention • Caution • Figyelem
 Attenzione • Opgelet • Внимание • Atenție • Upozornenie • Dikkat

