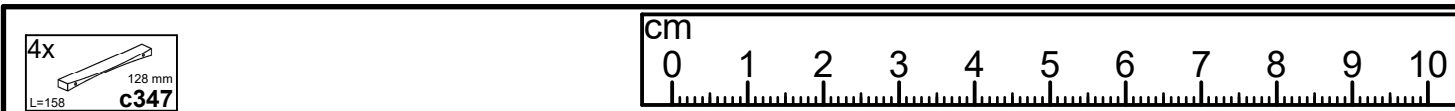
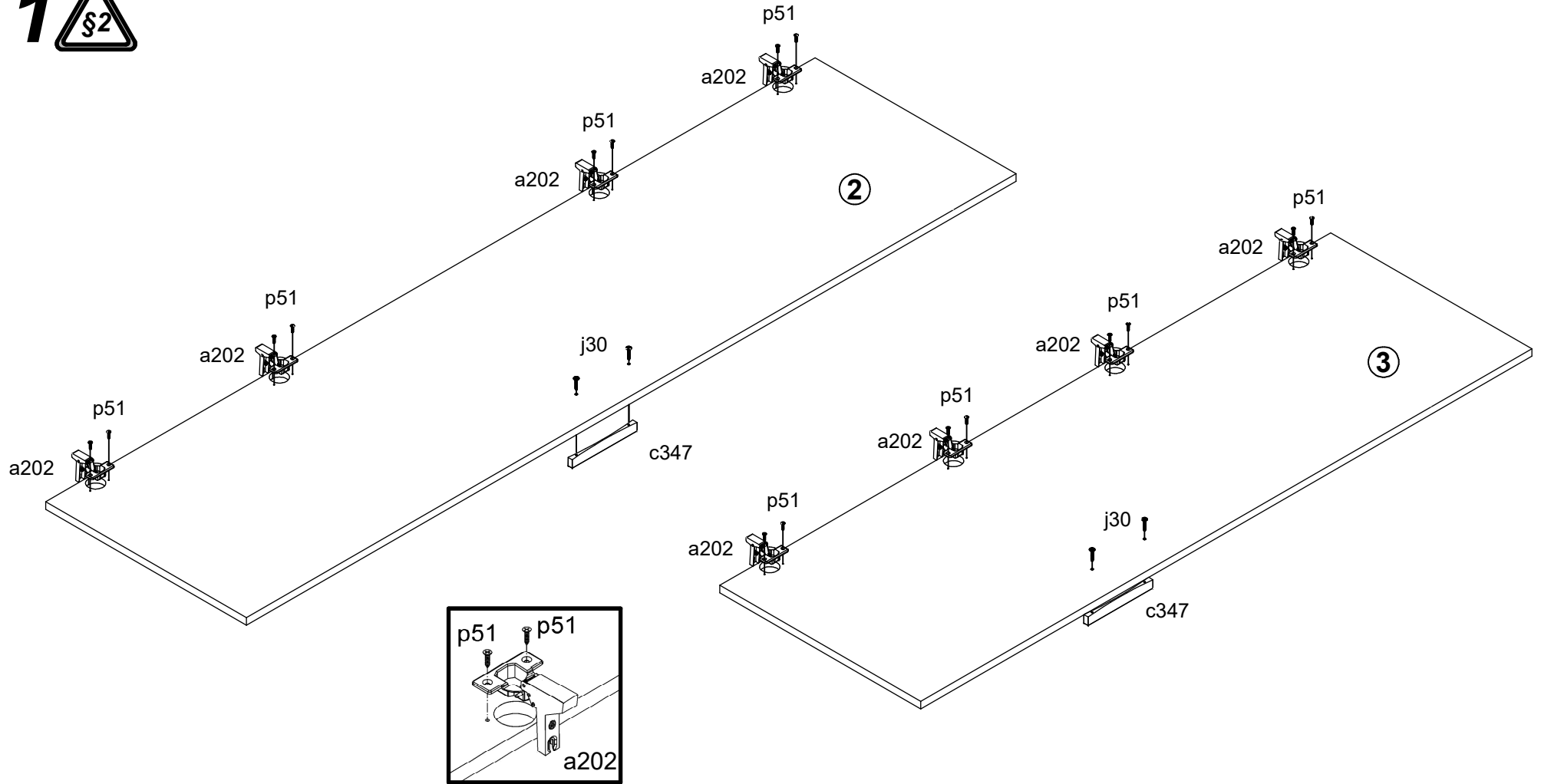


A	B	C (mm)			D
1	S476-0016	813	190	16	5/5
2	S476-0017	1876	490	16	5/5
3	S476-0018	1490	490	16	5/5
4	S476-1025	1908	511	16	2/5
5	S476-1026	1532	511	16	2/5
6	S476-1027	354	511	12	2/5
7	S476-1028	1984	531	16	1/5
8	S476-1029	1984	531	16	1/5
9	S476-1030	1452	260	16	3/5
10	S476-2016	1431	531	16	4/5
11	S476-2017	316	260	16	3/5
12	S476-2018	316	260	16	3/5
13	S476-3026	1398	511	16	2/5
14	S476-3027	858	511	22	4/5
15	S476-3028	523	511	22	4/5
16	S476-3029	524	511	22	4/5
17	S476-3030	281	259	16	3/5
18	S476-4004	60	80	16	4/5
19	S476-4006	60	80	16	4/5
20	S476-5047	1432	60	22	1/5
21	S476-5050	1940	60	19	1/5
22	S476-5051	1940	60	19	1/5
23	S476-5052	321	20	18	3/5
24	S476-5053	1451	20	17	3/5
25	S476-9020	1480	309	2,5	3/5
26	S476-9021	785	507	2,5	2/5
27	S476-9022	1927	537	2,5	1/5
28	S476-9304	1927	871	2,5	1/5
29	ZQ6-523	500	110	12	2/5
30	ZQ6-524	500	110	12	2/5
31	ZQ6-5185	775	97	15	5/5
32	dr-519	519	22	15	4/5

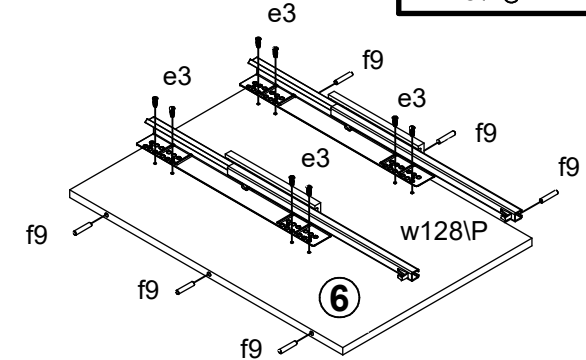
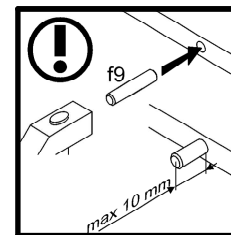
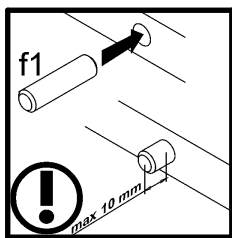
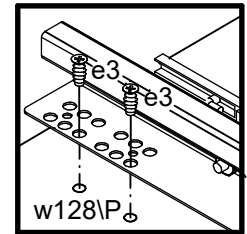
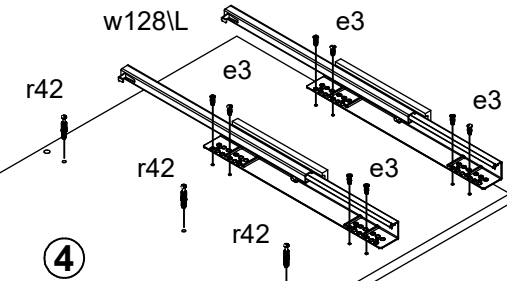
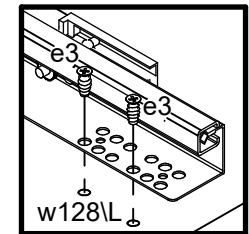
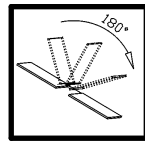
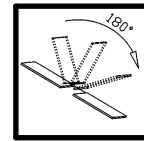
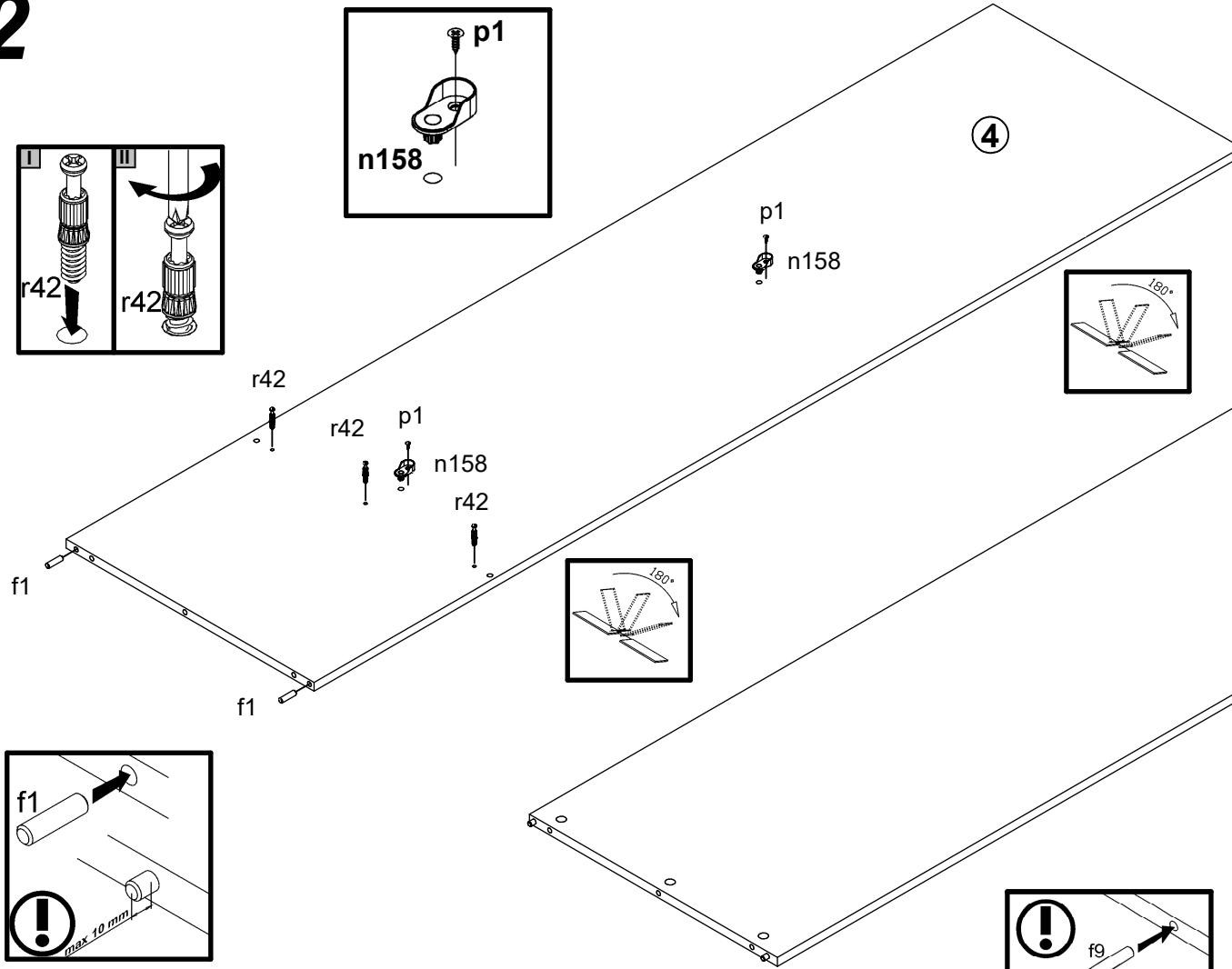
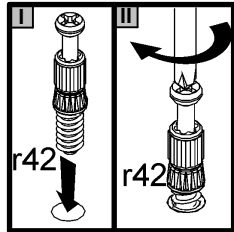
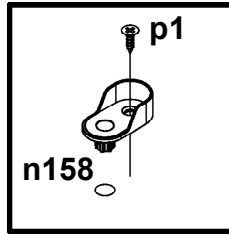


4x L=158 c347	8x 90° a202	8x b89	12x Ø5x17 mm d1	12x d37	19x Ø7x50 mm e1	16x Ø6x13 mm e3	38x Ø8x30 mm f1	6x Ø6x30 mm f9	8x Ø6,5x40 mm f25	2x Ø10x50 mm f35	8x M4x22 mm j30	5x k1	80x 1,4x20 mm l1
13x i2	2x 86x21x15/1,5 n142	13x 22x9,5x20/7 mm n108	4x n158	4x Ø3,5x13 mm p1	2x Ø5x60 mm p17	2x Ø4x30 mm p21	2x Ø3,5x16 mm p25	2x Ø3,5x10 mm p35	64x Ø3,5x16 mm p38	16x Ø3,5x15 mm p51	17x Ø2,9x16 mm p55	50x Ø15x12 mm #16 r1	
8x Ø12x10,5 mm #12 r15	58x 20/11 r42	2x 500 mm t34	2x 500 mm w128L	2x 500 mm w128P	15x Ø16 s2	1x 4 mm z1							



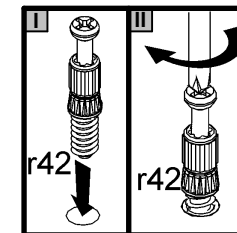
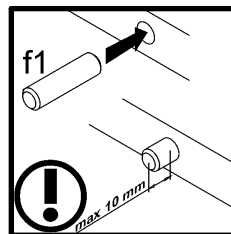
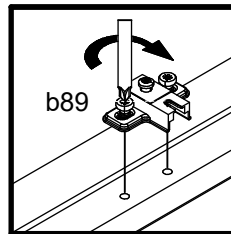
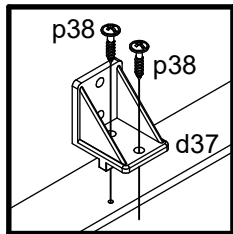
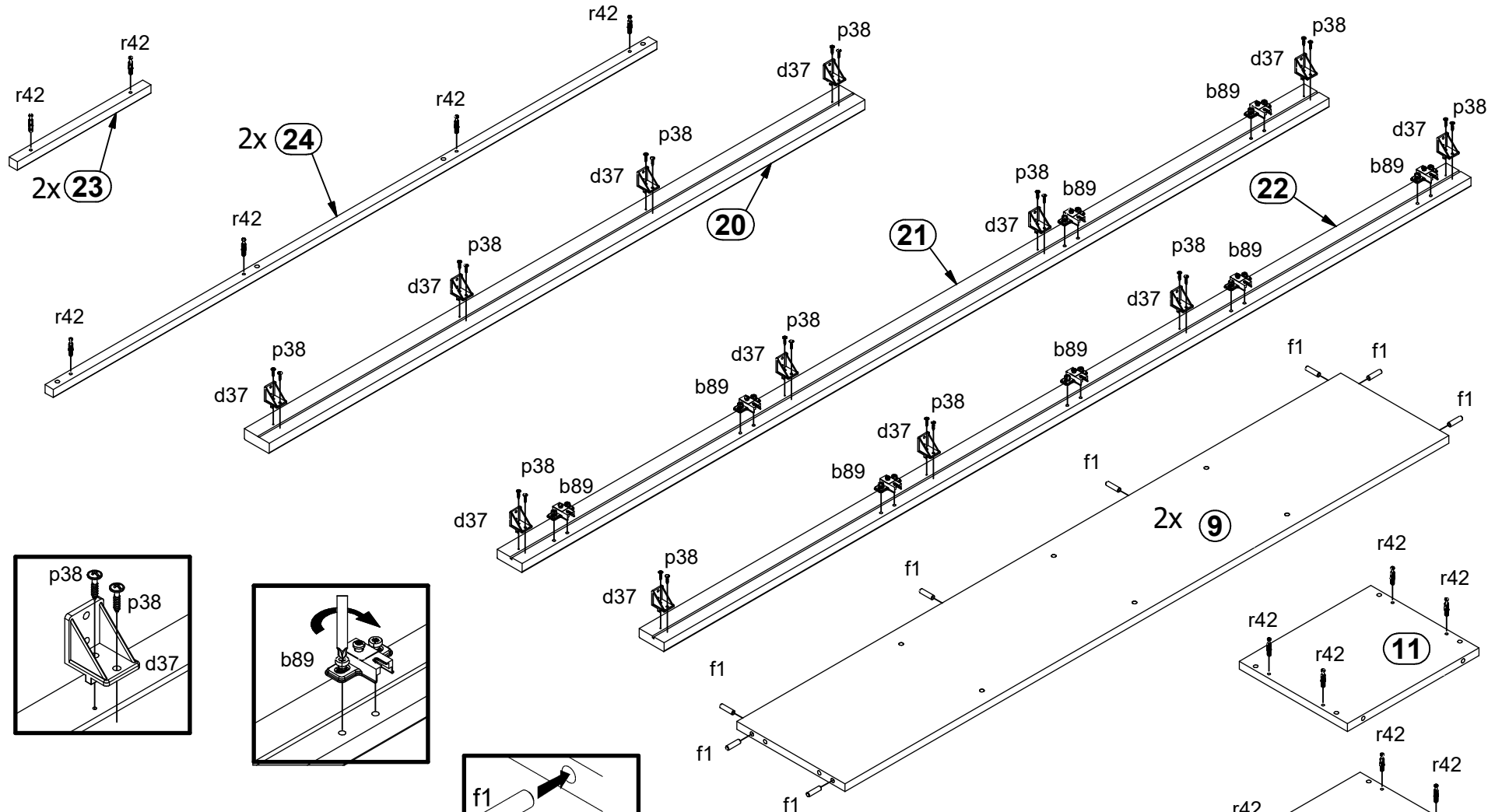
- 8x a202
- 2x 128 mm c347
- 4x M4x22 mm j30
- 16x Ø3,5x15 mm p51

2



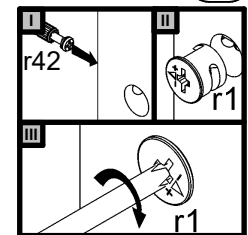
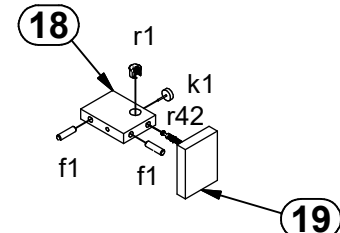
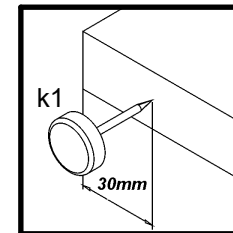
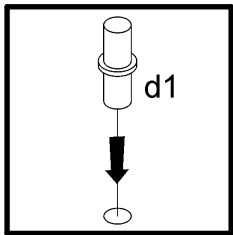
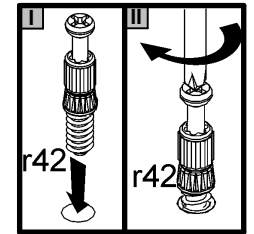
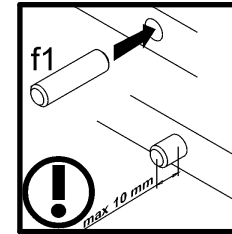
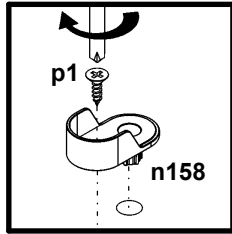
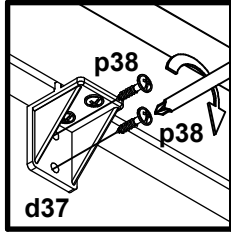
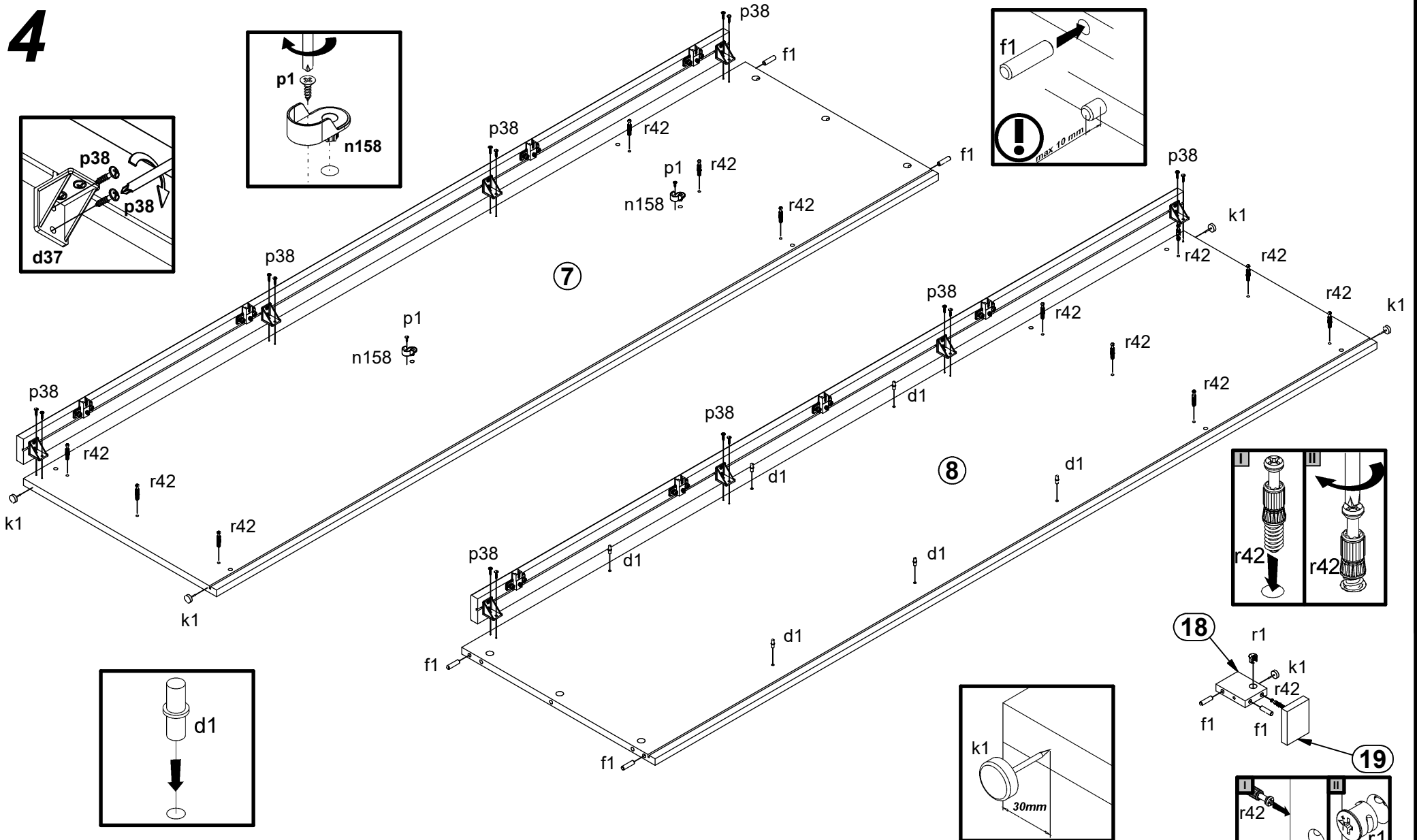
- 16x e3
Ø6x13 mm
- 2x f1
Ø8x30 mm
- 6x f9
Ø6x30 mm
- 2x n158
- 2x p1
Ø3,5x13 mm
- 6x r42
20/11
- 2x w128L
500 mm
- 2x w128P
500 mm

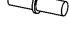




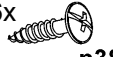


3



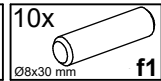
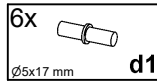
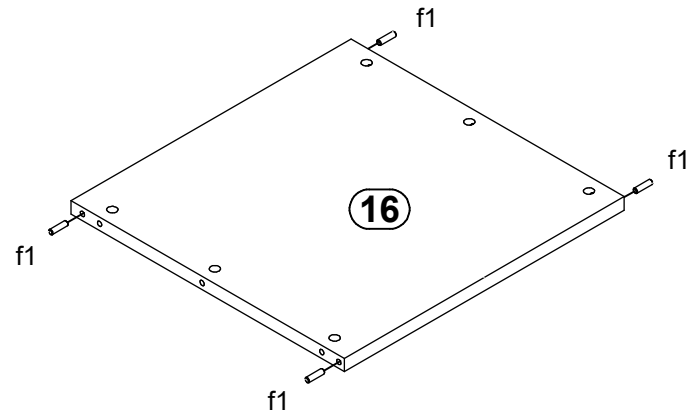
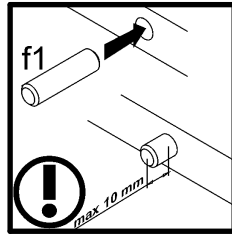
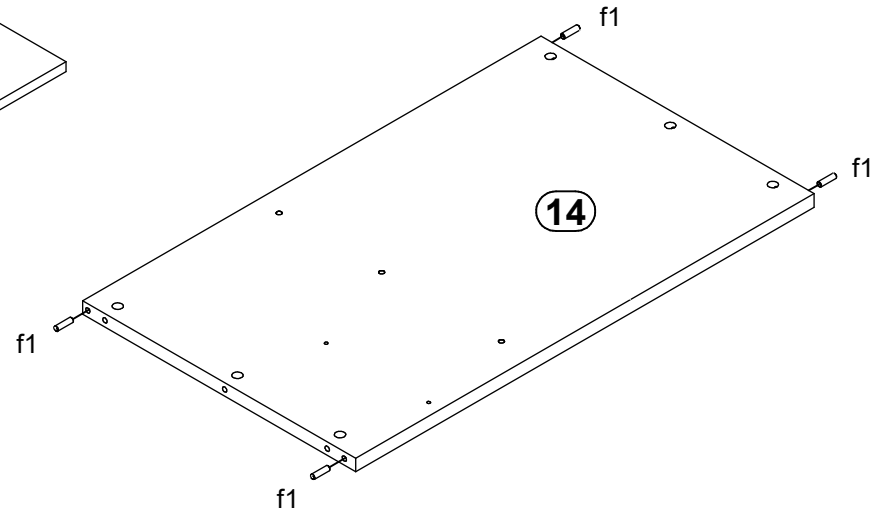
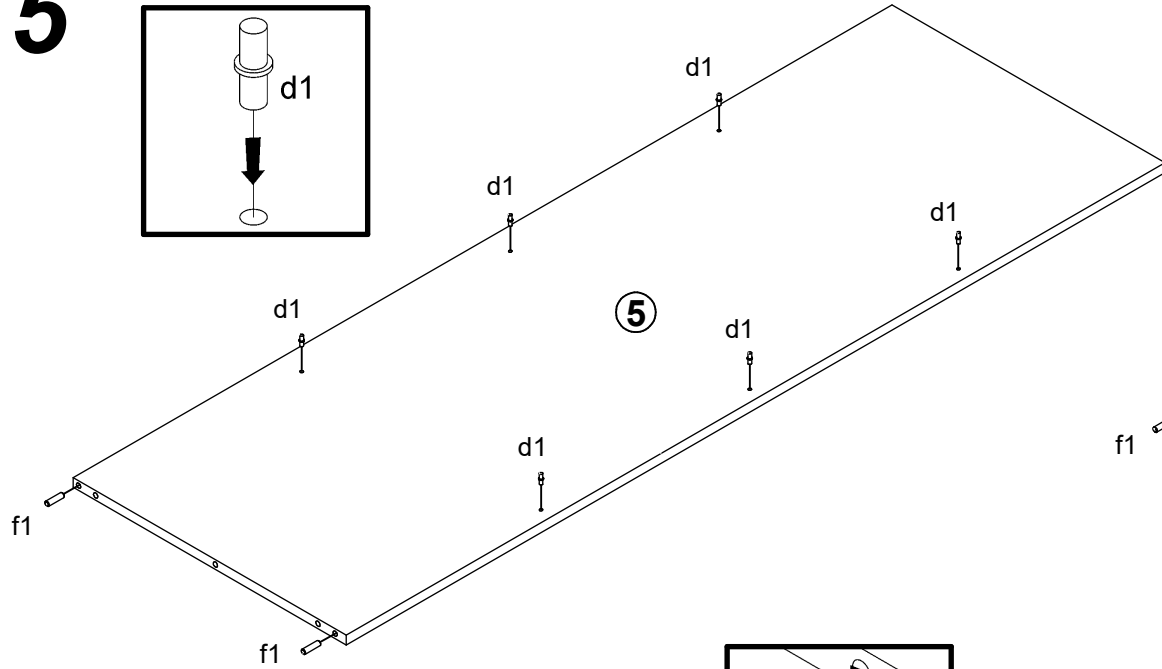
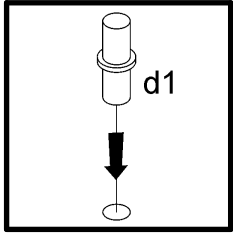
- 8x b89
- 12x d37
- 16x f1
- 24x p38
- 20x r42

4

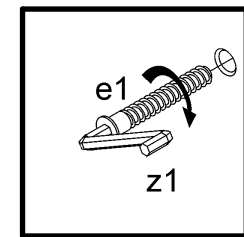
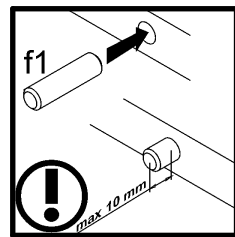
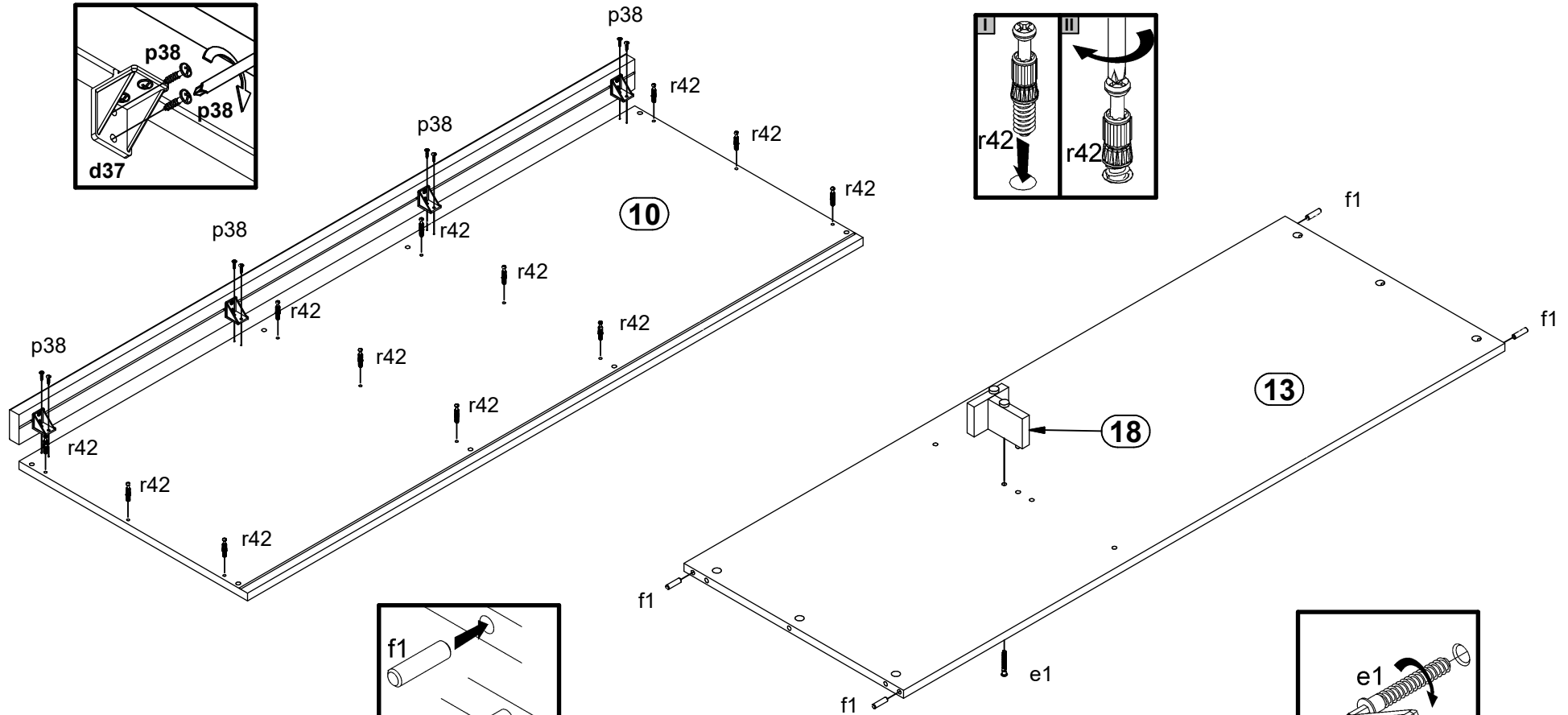
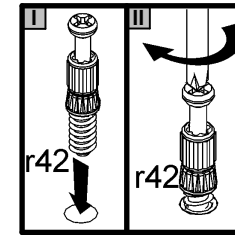
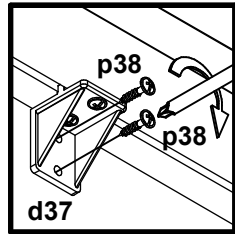





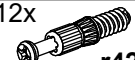
- 6x  d1 Ø5x17 mm
- 6x  f1 Ø8x30 mm
- 5x  k1
- 2x  n158
- 2x  p1 Ø3,5x13 mm
- 16x  p38 Ø3,5x16 mm
- 13x  r42 20/11
- 1x  r1 Ø15x12 mm #16

5

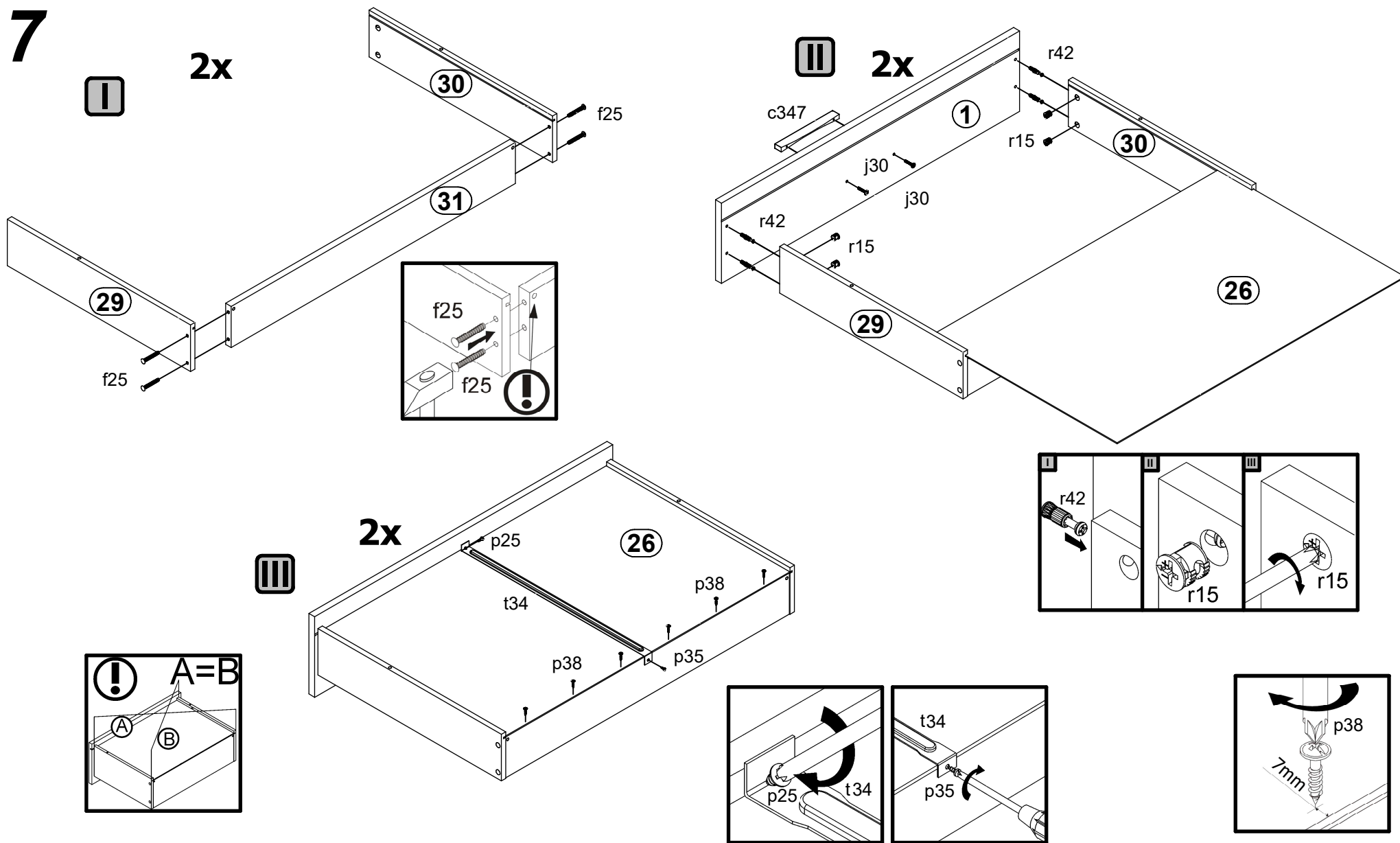


6



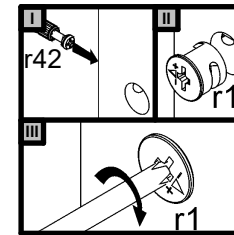
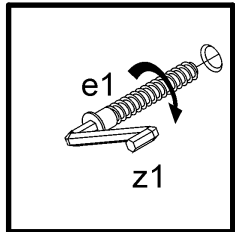
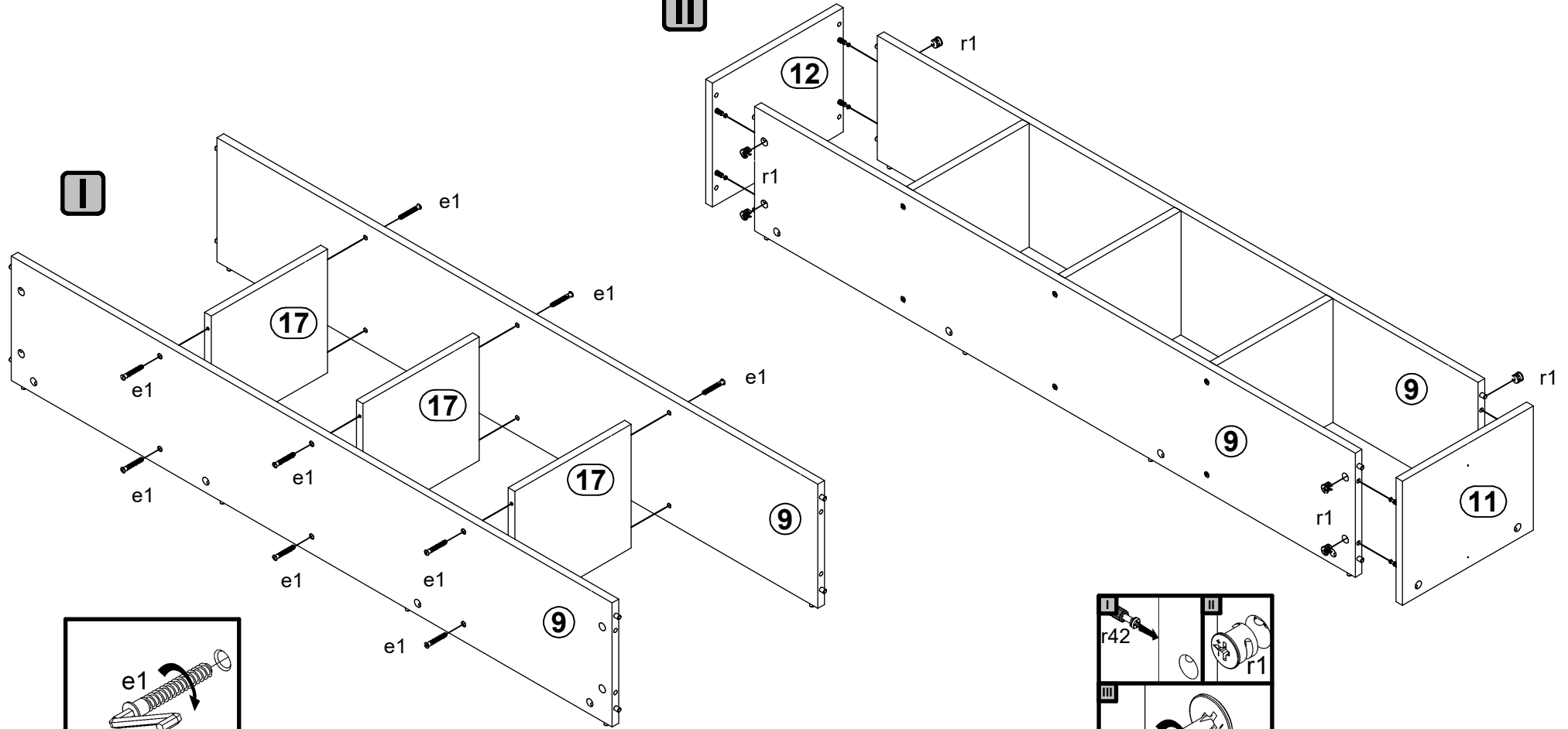
- 1x  e1
- 4x  f1
- 8x  p38
- 12x  r42

7



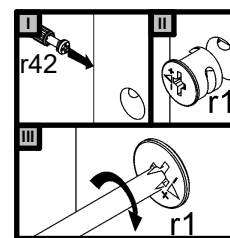
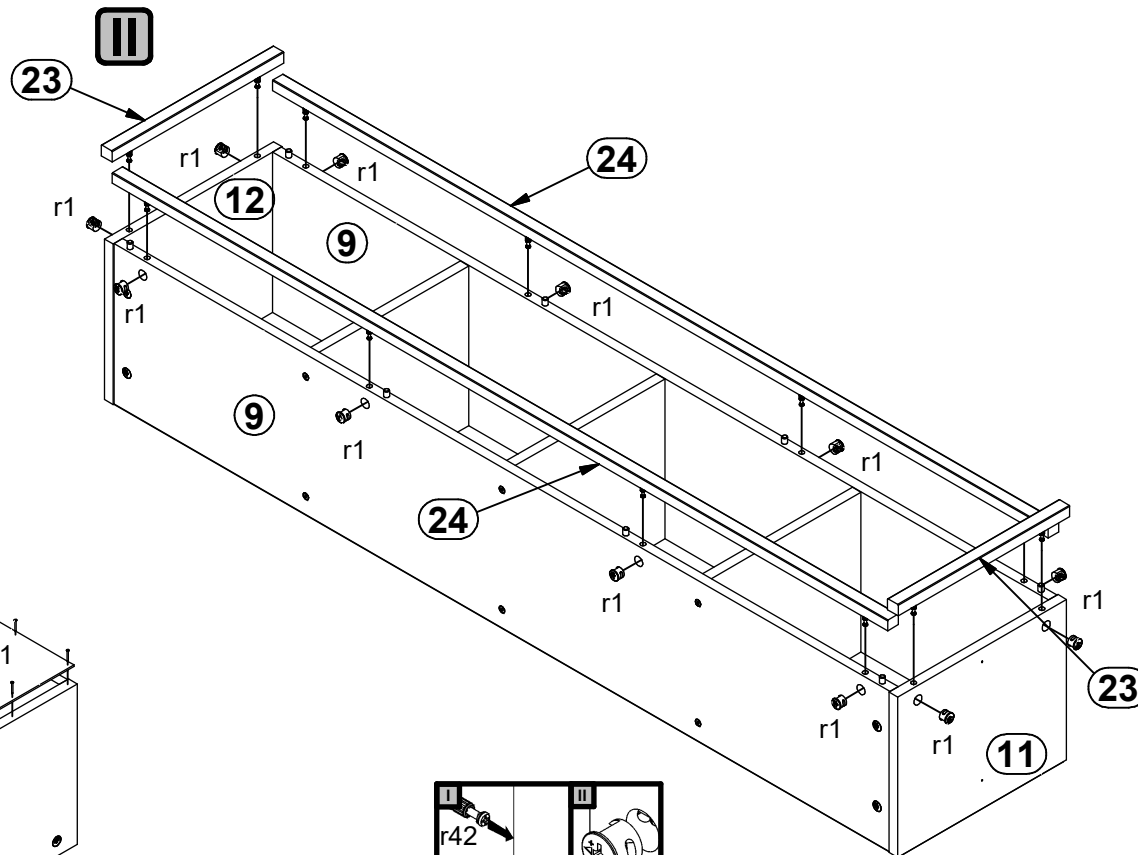
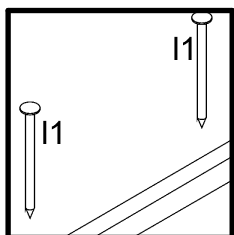
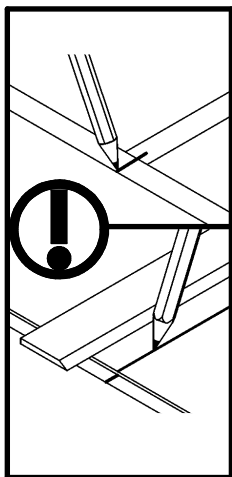
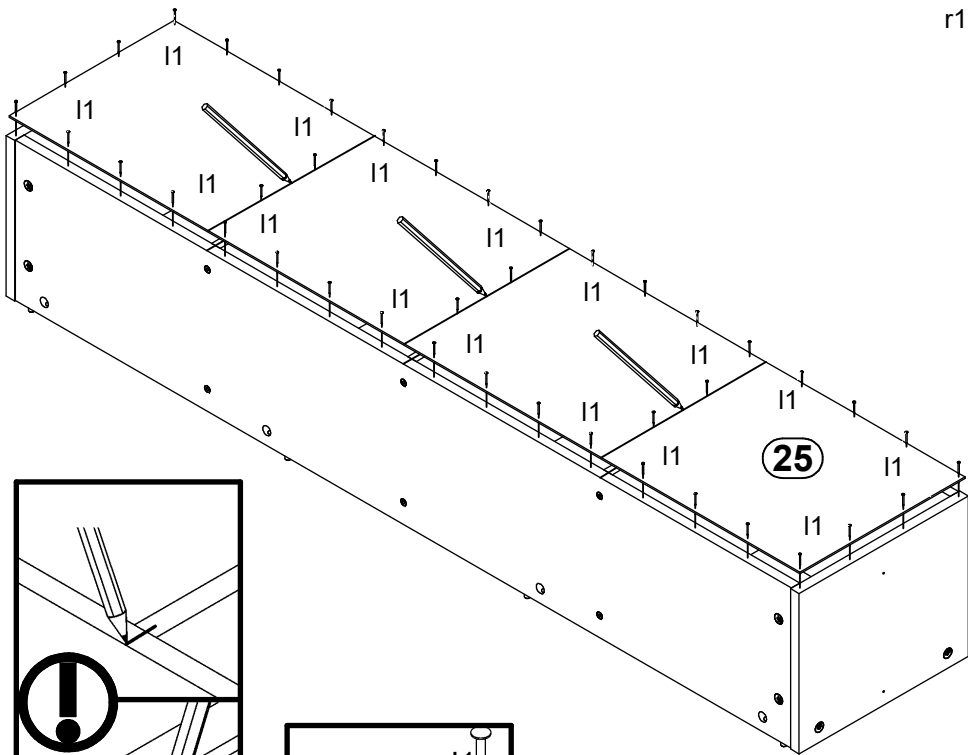
- | | | | | | | | | |
|--------------------------------------|--------------------------------|------------------------------|--------------------------------|--------------------------------|---------------------------------|-------------------------------------|---------------------------|----------------------------|
| 2x
L=158
128 mm
c347 | 8x
Ø6,5x40 mm
f25 | 4x
M4x22 mm
j30 | 2x
Ø3,5x16 mm
p25 | 2x
Ø3,5x10 mm
p35 | 12x
Ø3,5x16 mm
p38 | 8x
Ø12x10,5 mm #12
r15 | 8x
20/11
r42 | 2x
500 mm
t34 |
|--------------------------------------|--------------------------------|------------------------------|--------------------------------|--------------------------------|---------------------------------|-------------------------------------|---------------------------|----------------------------|

8



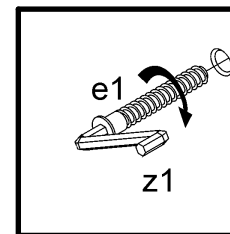
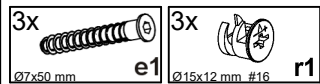
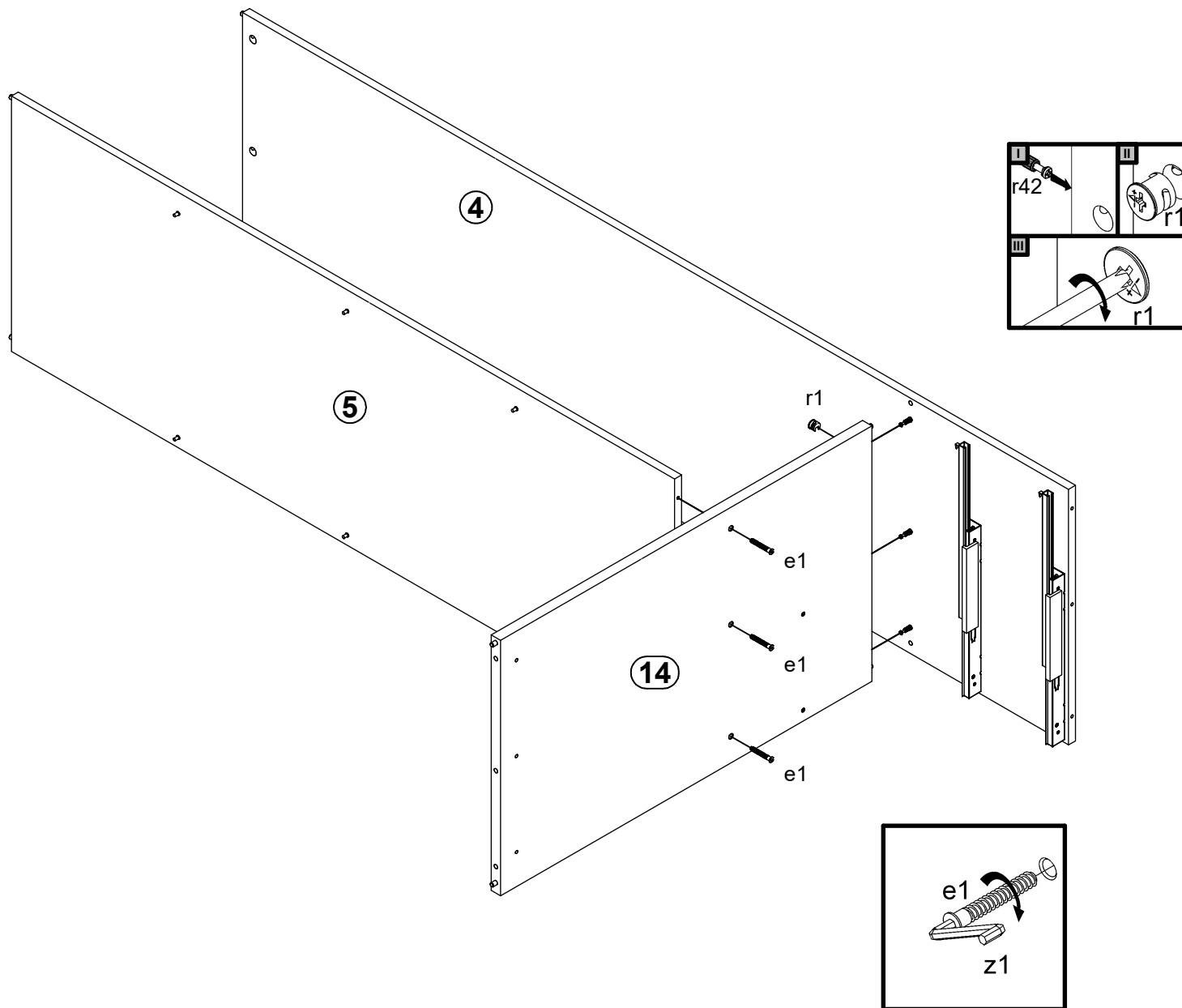
- 12x e1 Ø7x50 mm
- 8x r1 Ø15x12 mm #16

9

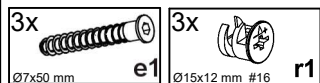
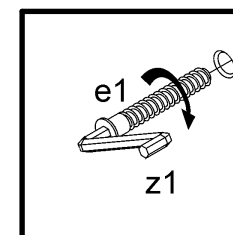
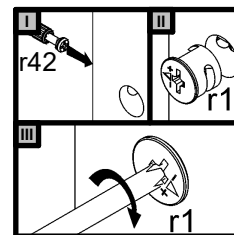
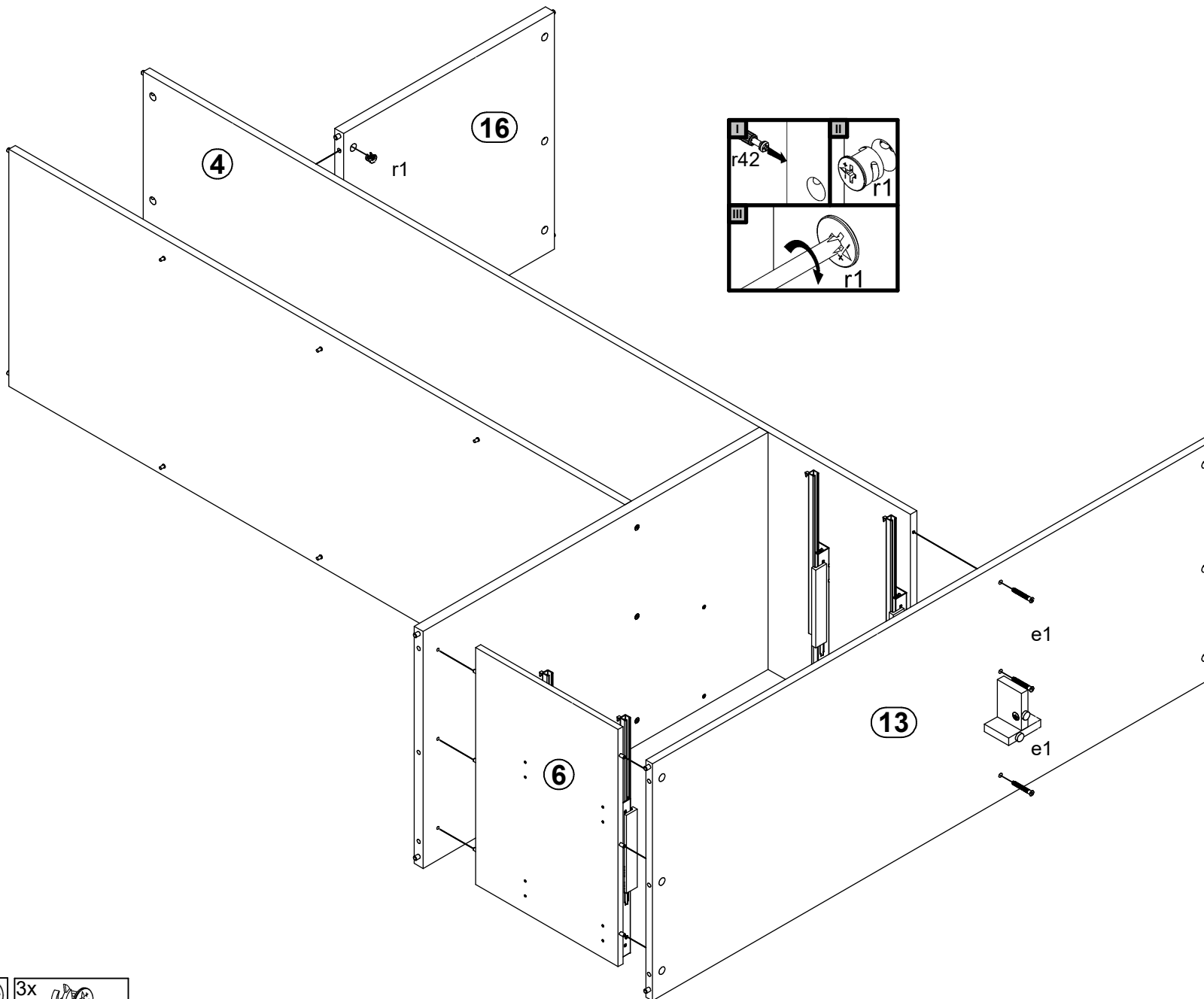


- 40x 1.4x20 mm l1
- 12x Ø15x12 mm #16 r1

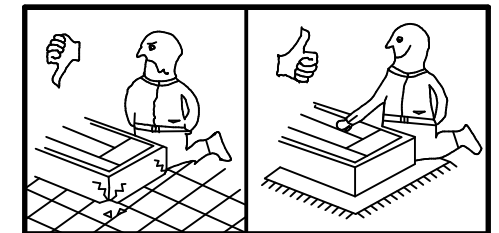
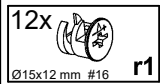
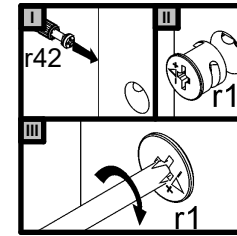
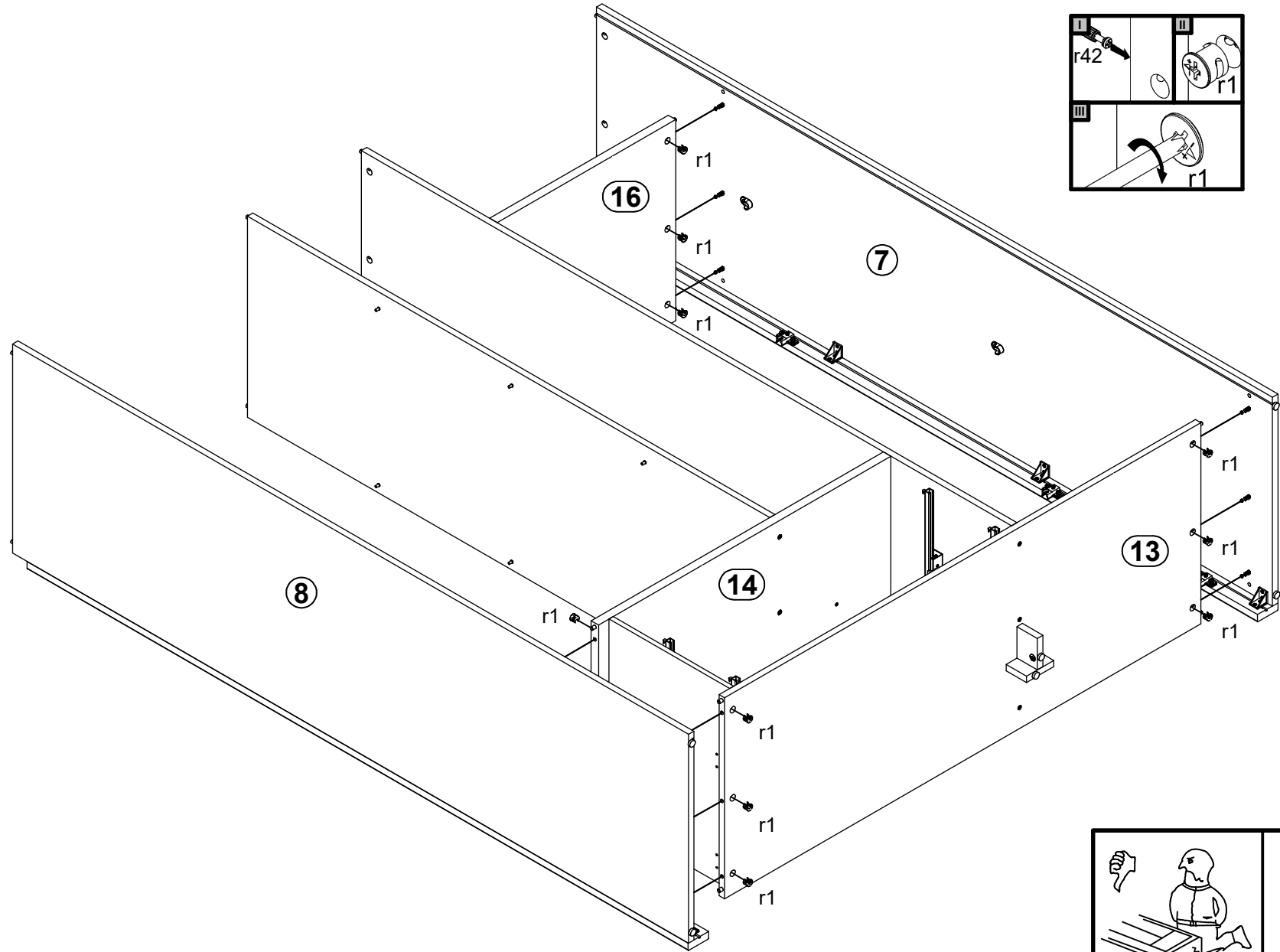
10



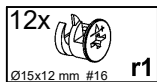
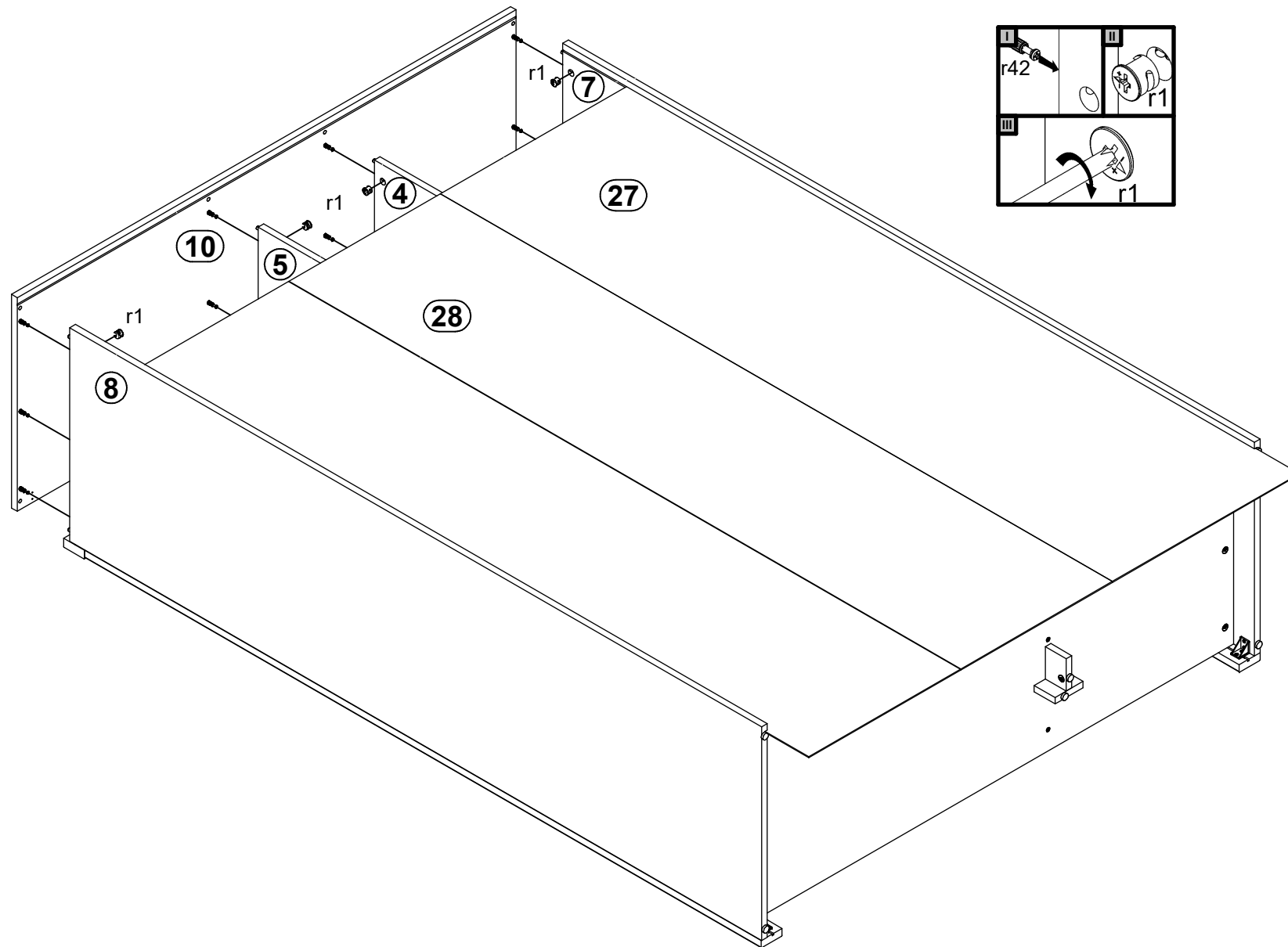
11



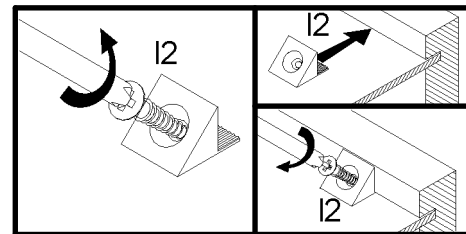
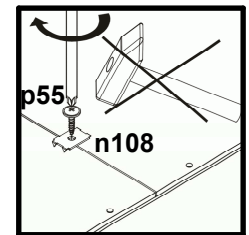
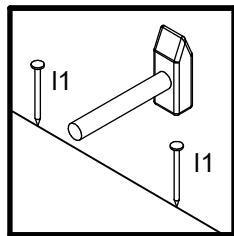
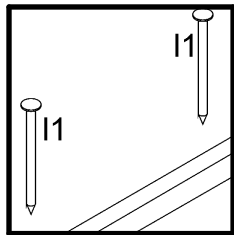
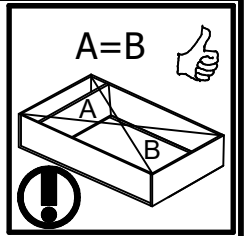
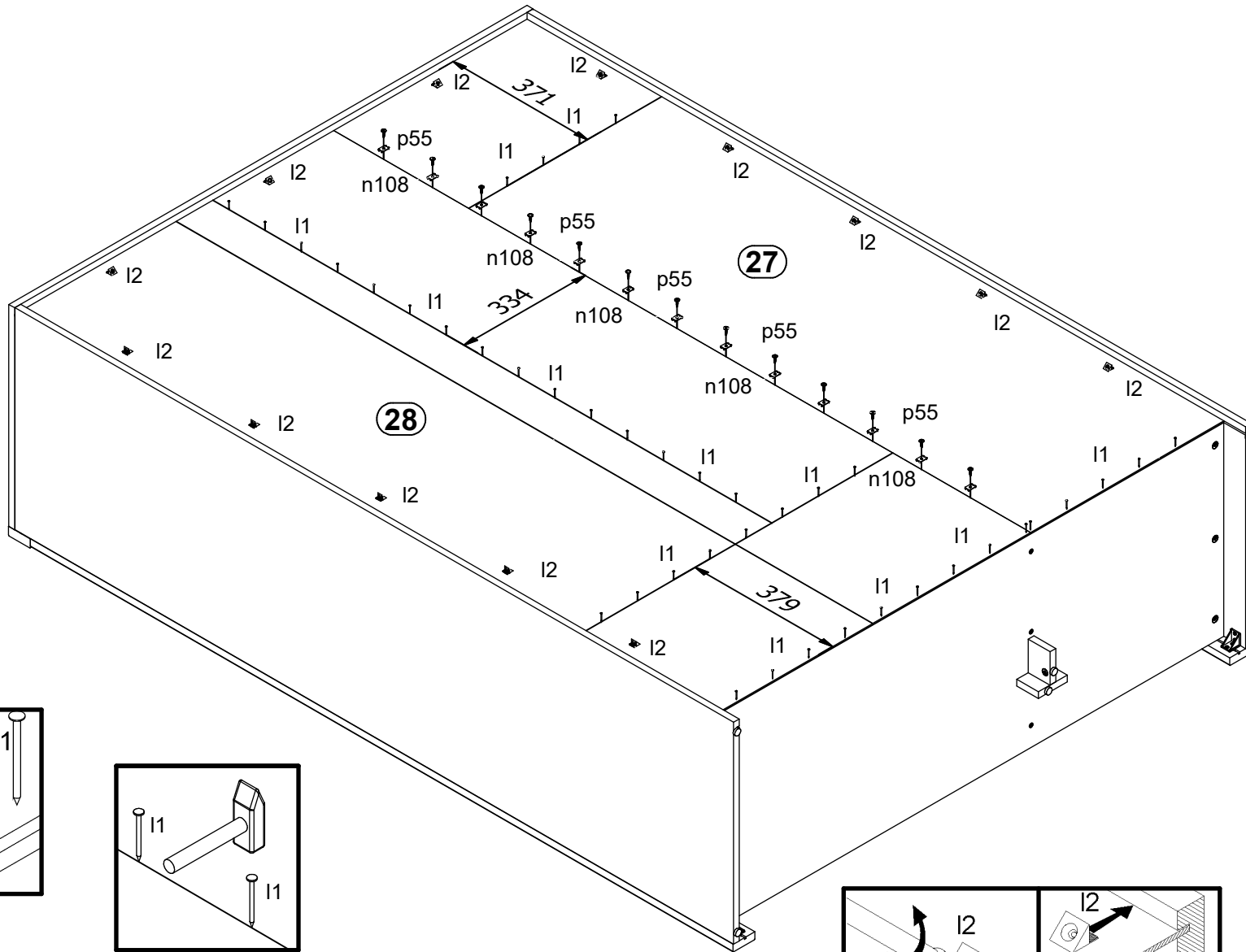
12



13

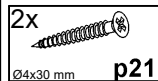
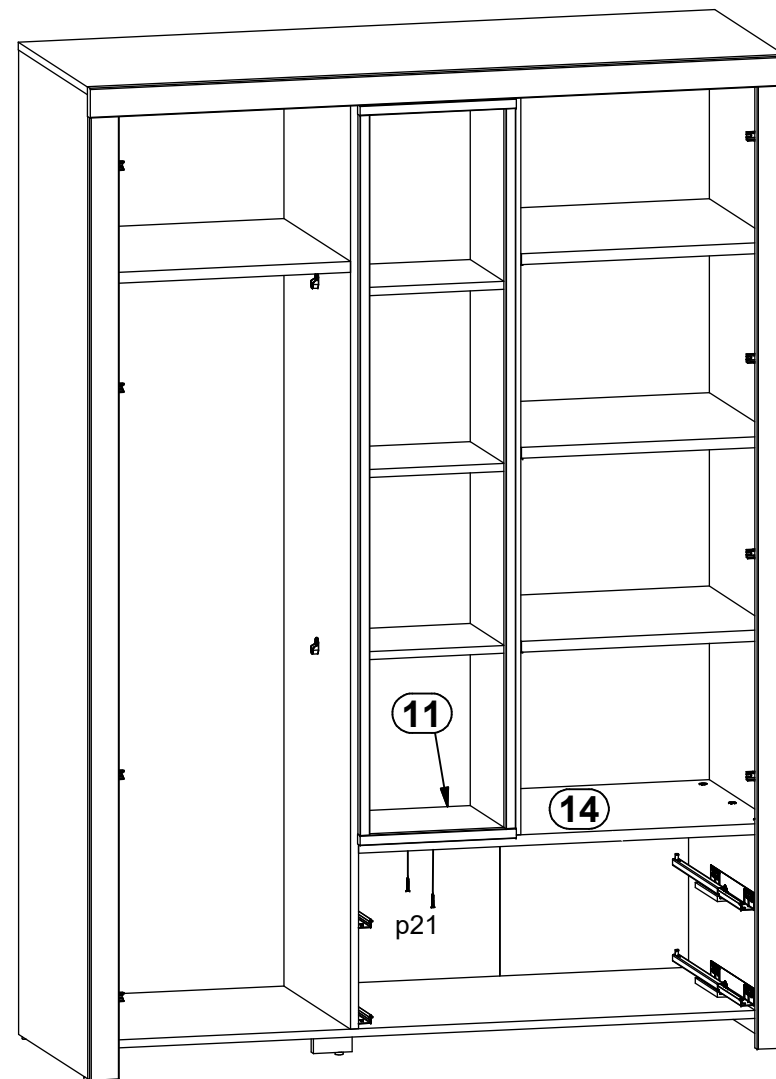
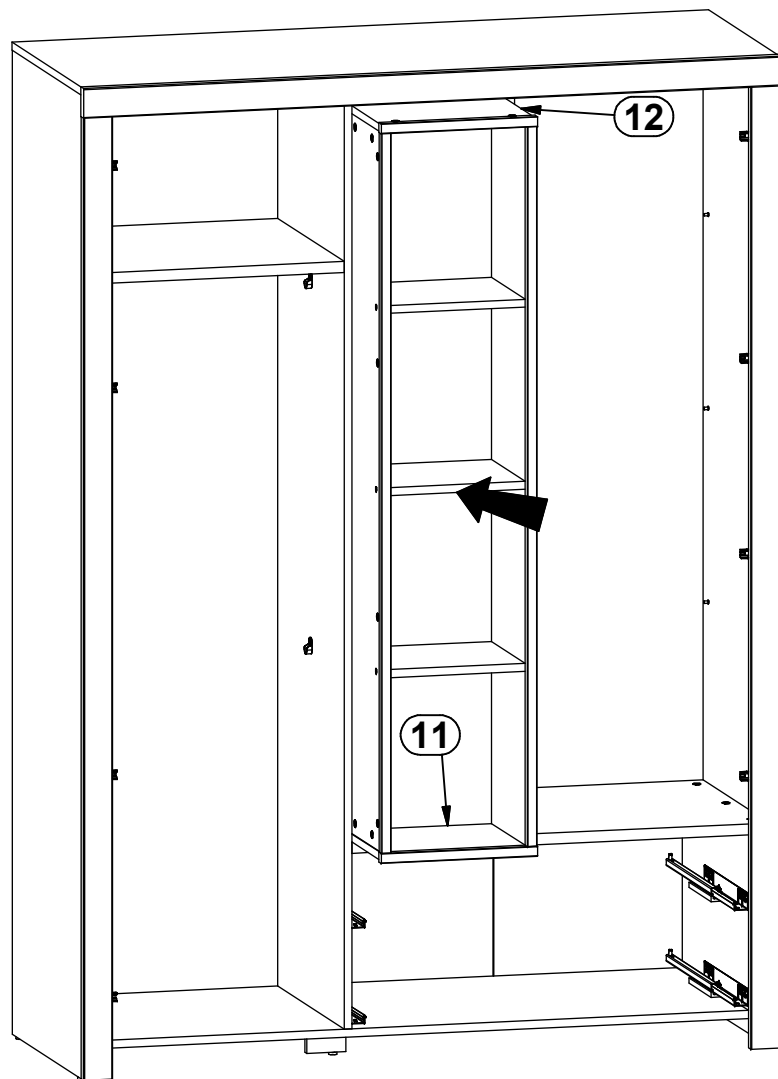


14

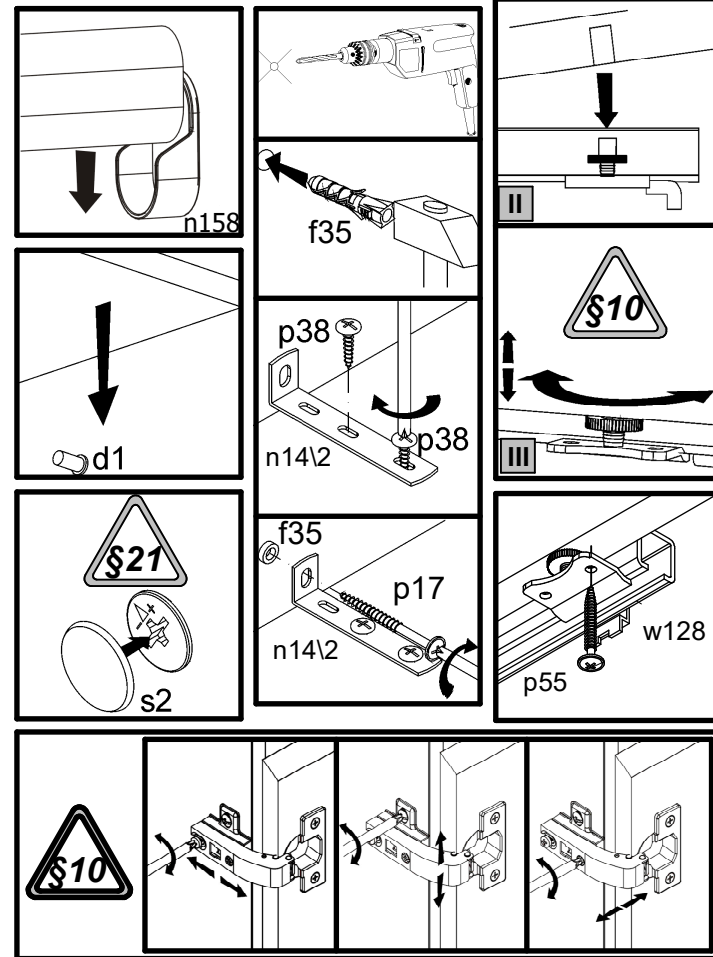
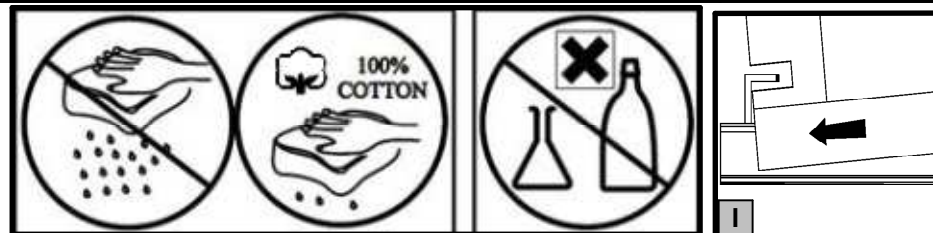
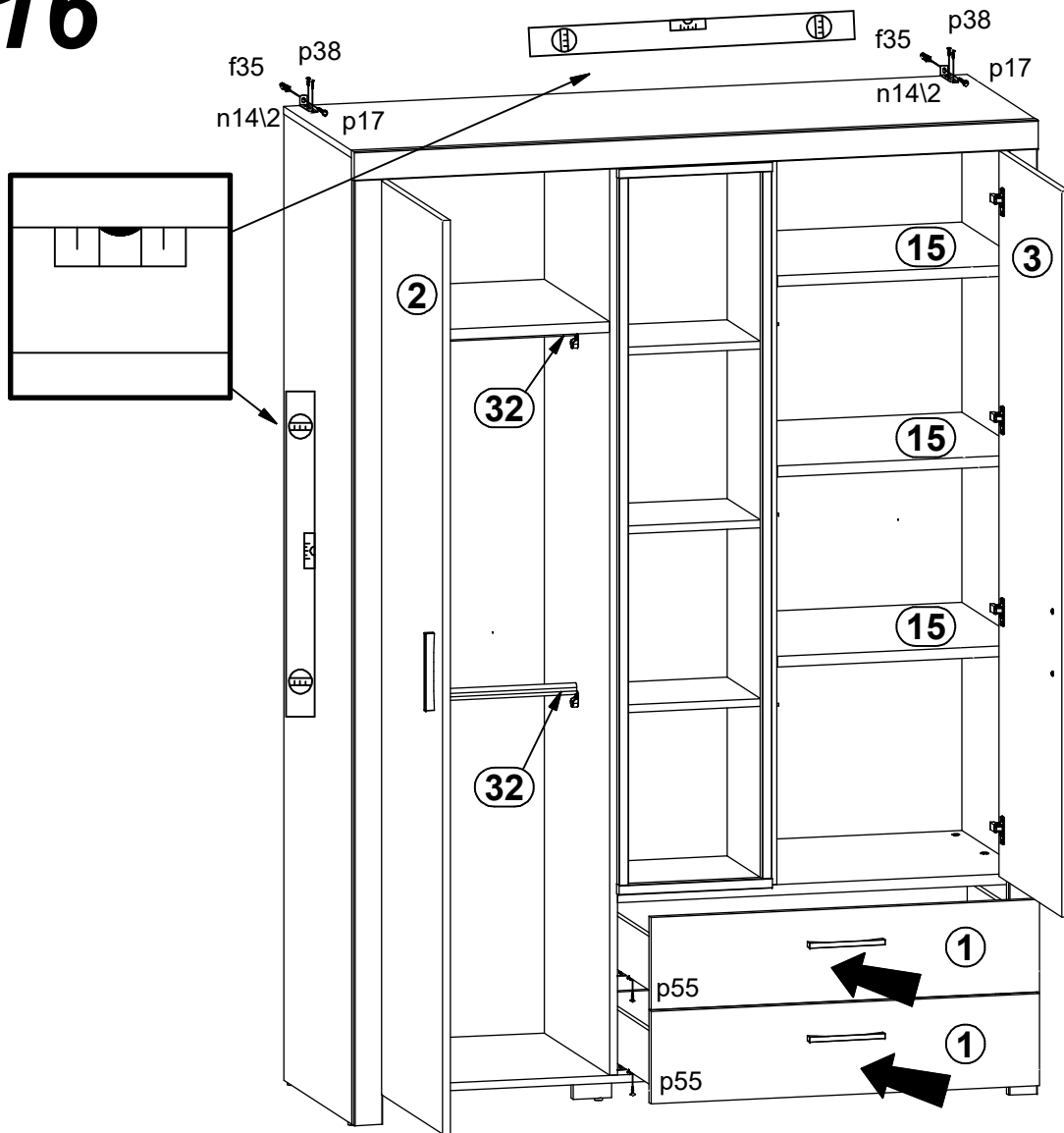


- 40x
1,4x20 mm I1
- 13x
22x9,5x20,7 mm I2
- 13x
22x9,5x20,7 mm n108
- 13x
Ø2,9x16 mm p55

15



16



- 2x f35
- 2x n14/2
- 2x p17
- 4x p38
- 4x p55
- 15x s2