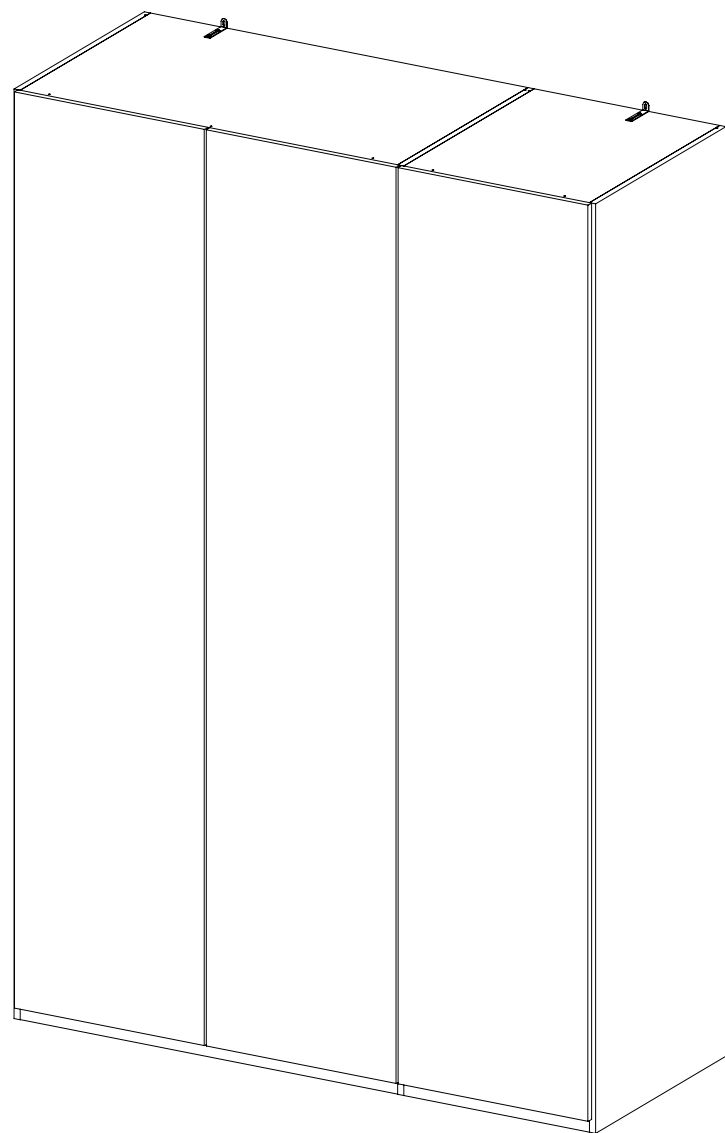
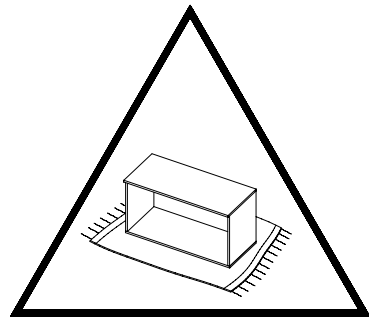
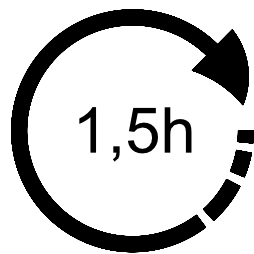
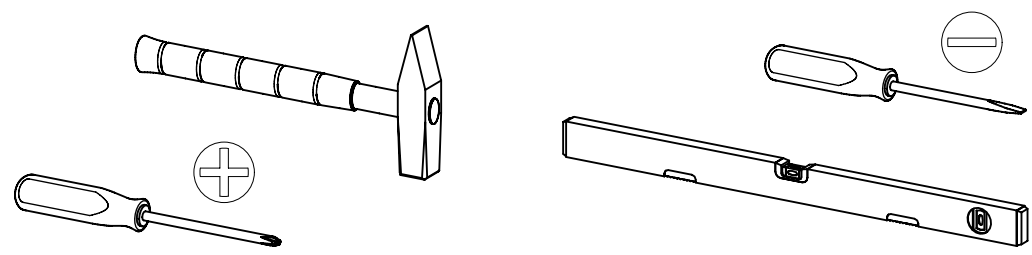


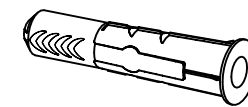
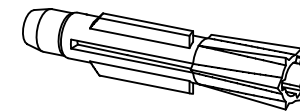
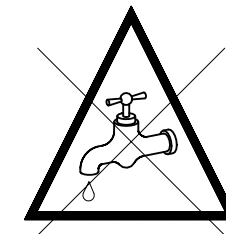
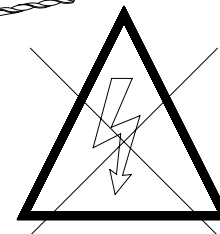
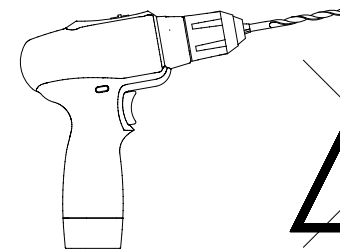
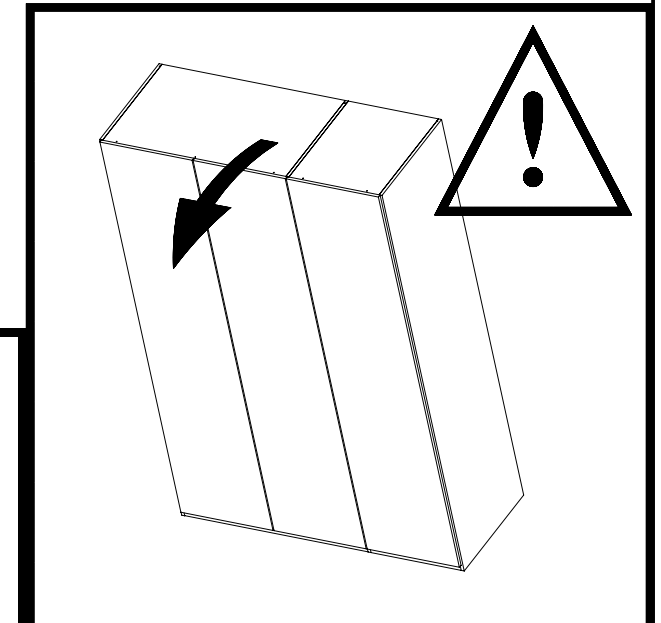
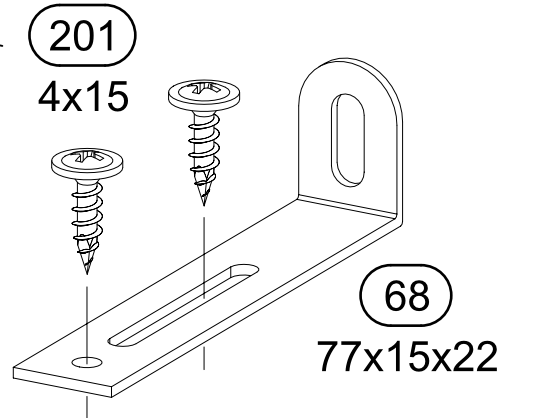
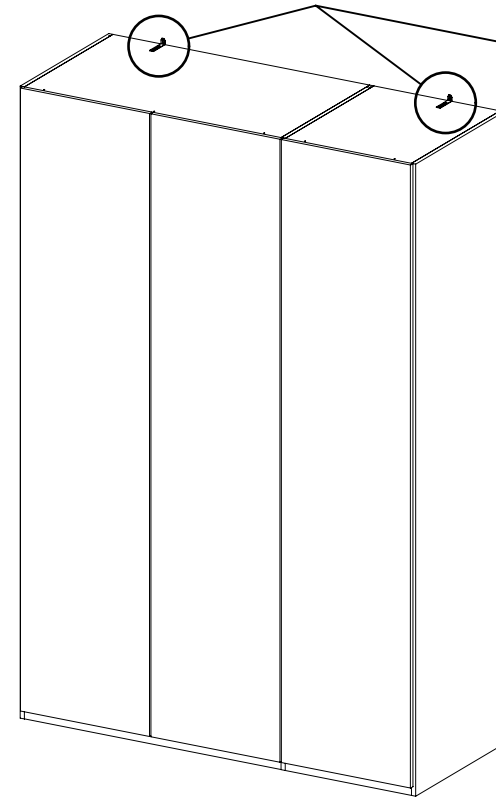
1.

MD162_01

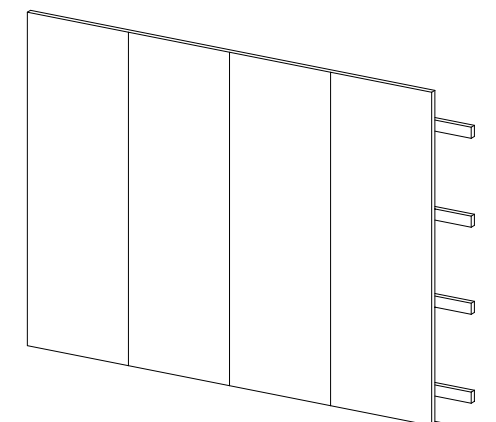
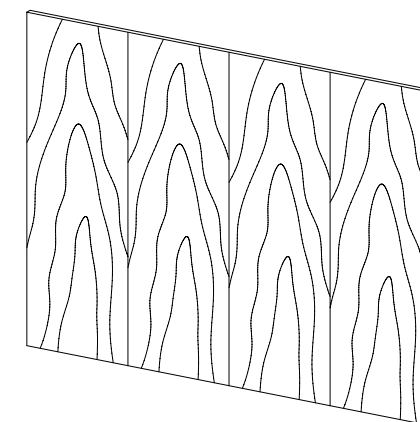
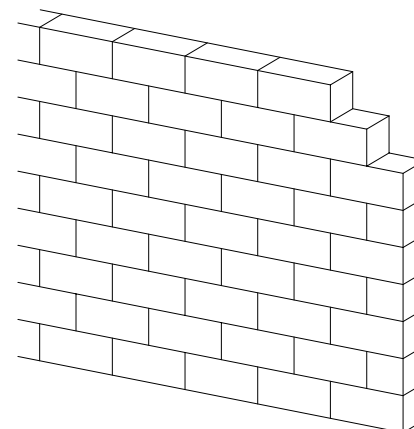
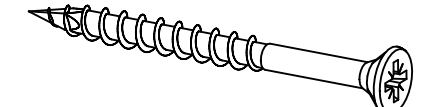
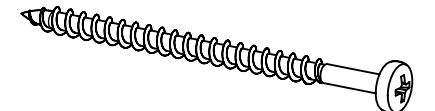
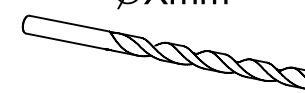
rauch

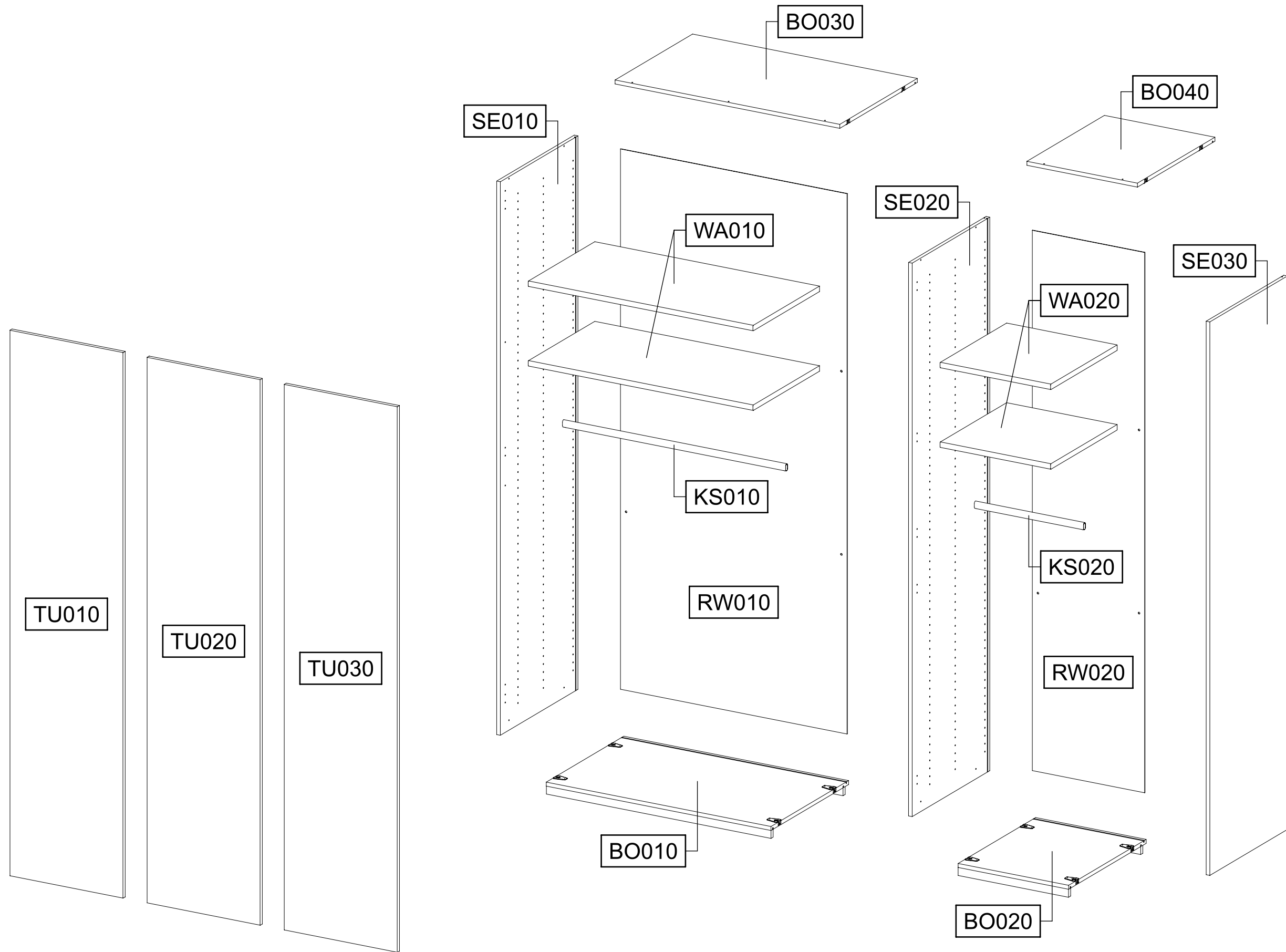


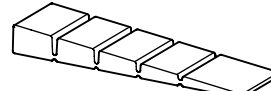
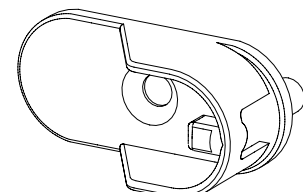
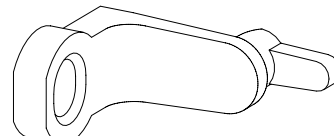
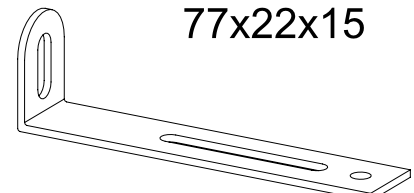

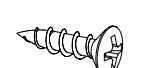
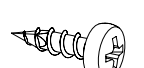
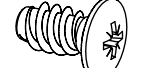

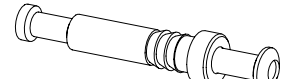
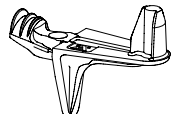
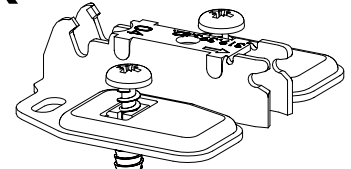
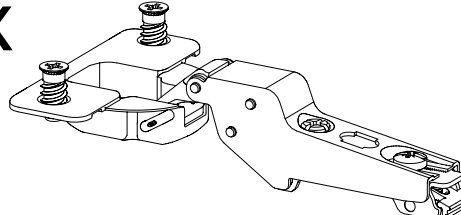
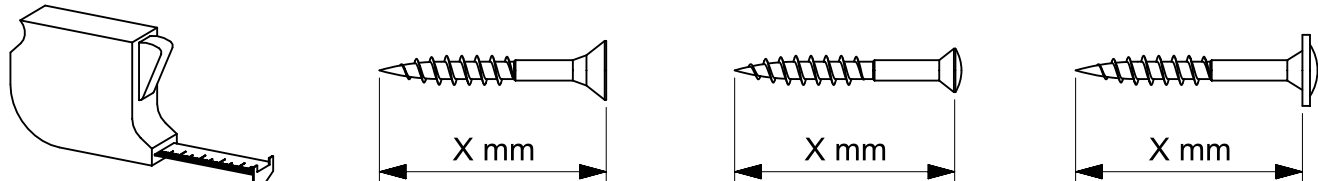
2.

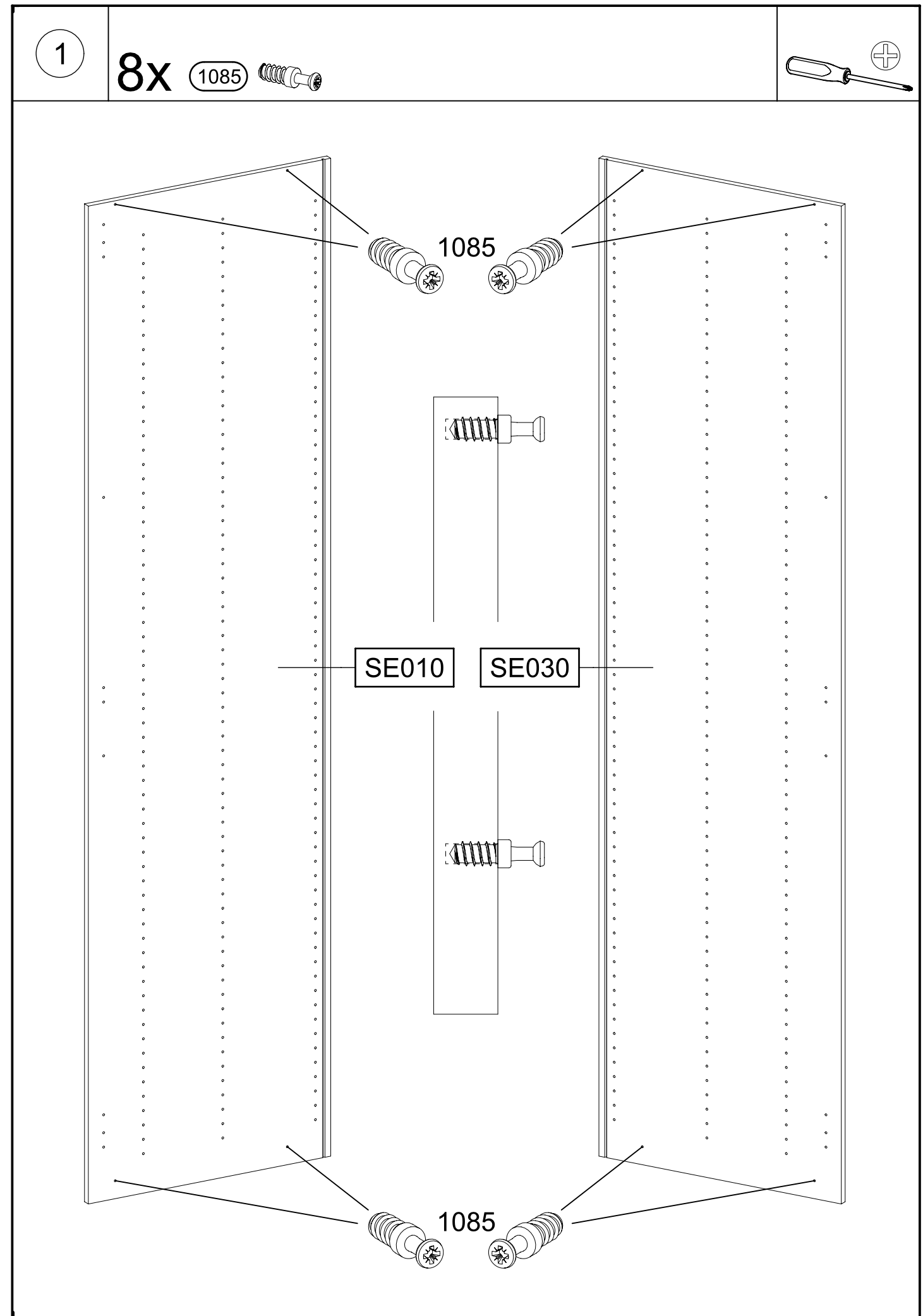


ØXmm





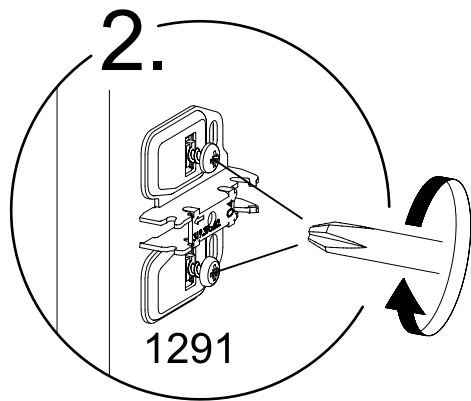
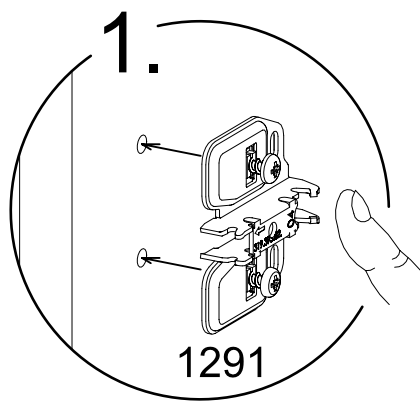
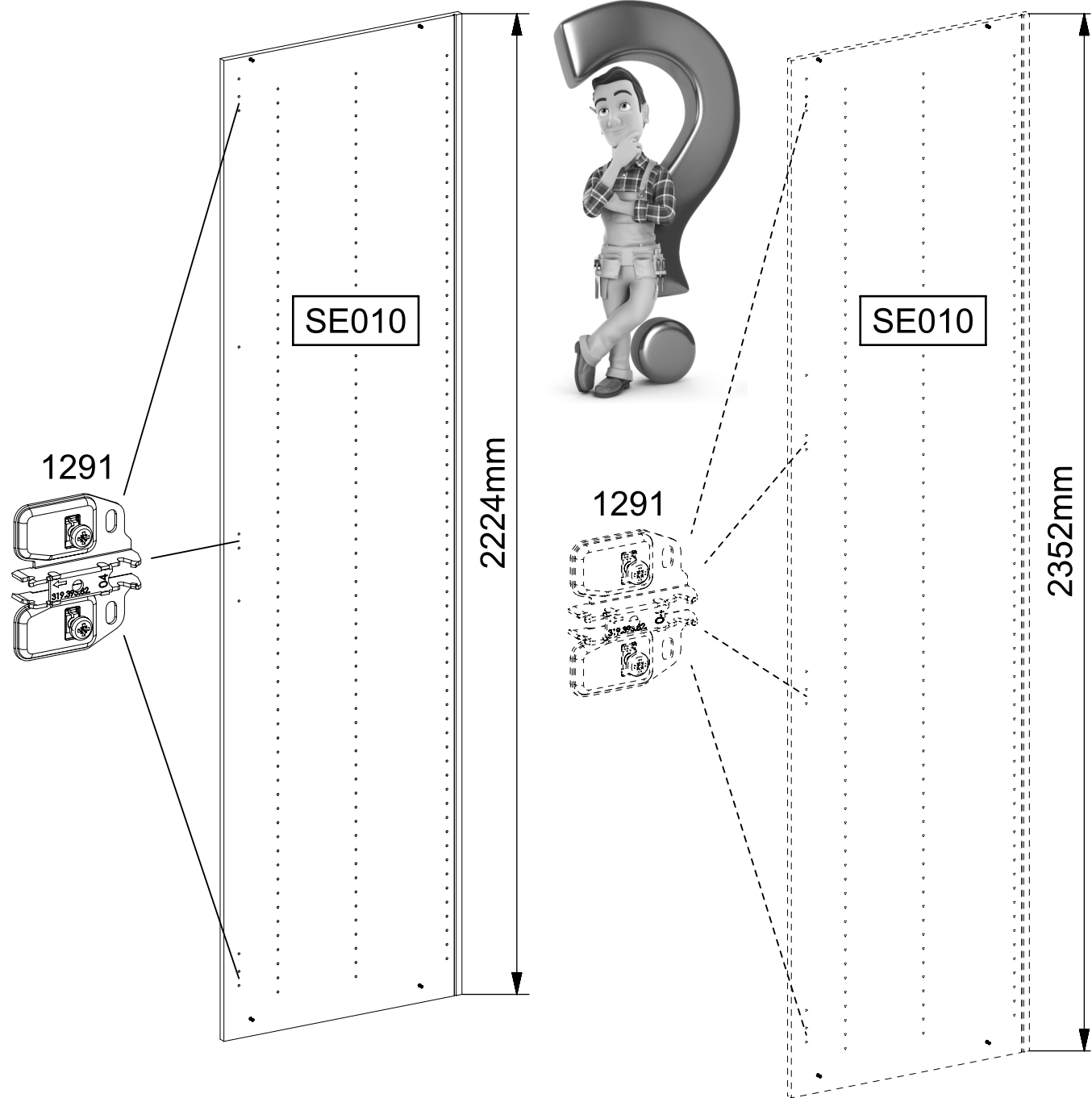
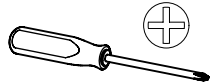
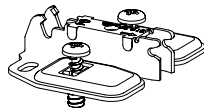
<p>0-6x 55x16x6,2</p> <p>(12) </p>	<p>4x</p> <p>(29) </p>
<p>8x</p> <p>(47) </p>	<p>2x 77x22x15</p> <p>(68) </p>
<p>4x 4x15</p> <p>(201) </p>	<p>4x 3,5x15</p> <p>(205) </p>
<p>18-24x 4x13</p> <p>(621) </p>	<p>8x 6,5x12</p> <p>(779) </p>
<p>8x</p> <p>(1085) </p>	<p>4x</p> <p>(1086) </p>
<p>16x</p> <p>(1089) </p>	<p>9-12x</p> <p>(1291) </p>
<p>9-12x</p> <p>(1292) </p>	
	



2

3-4x

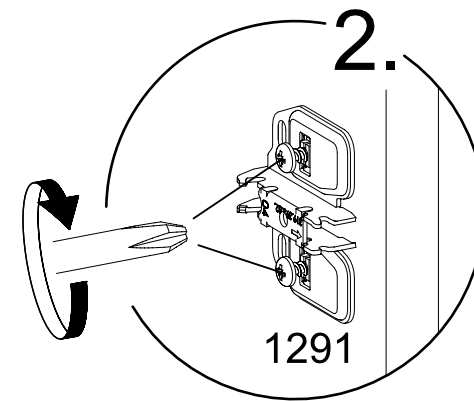
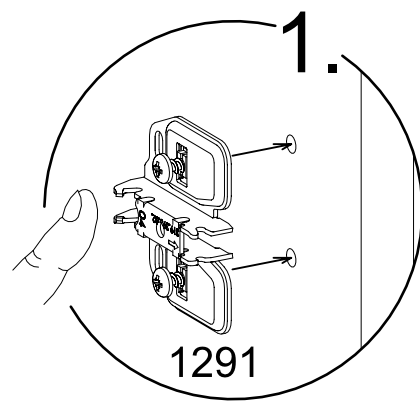
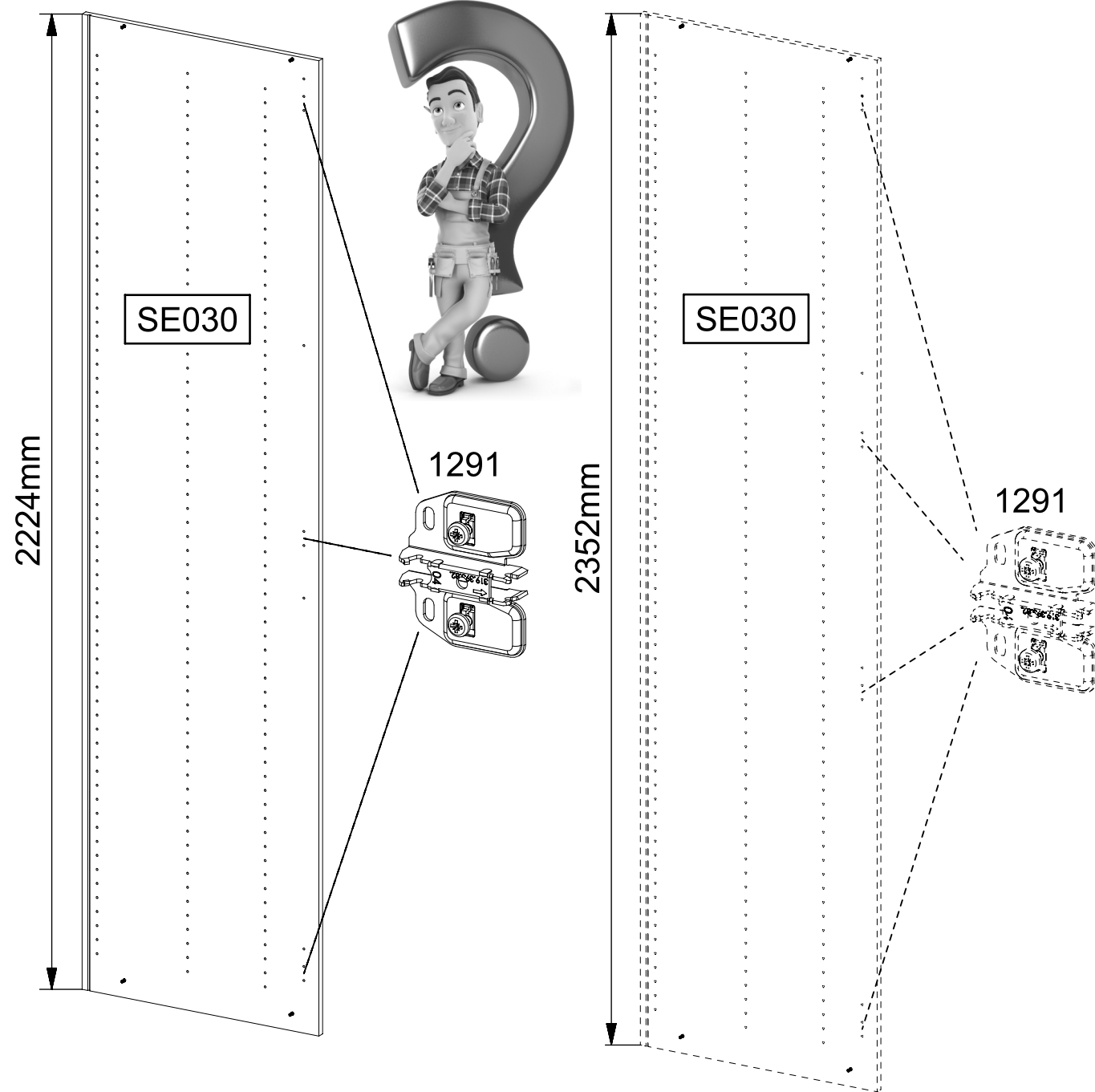
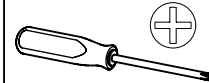
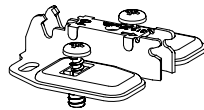
1291



3

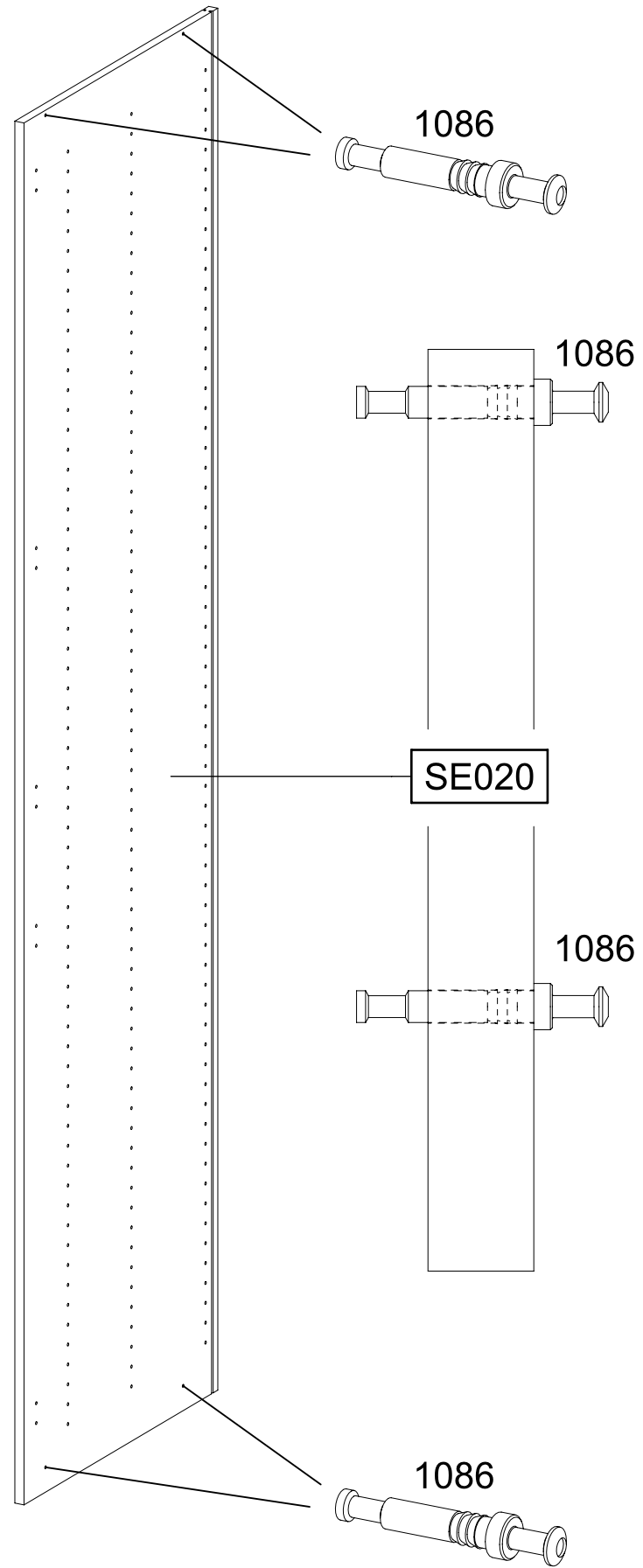
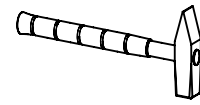
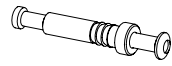
3-4x

1291



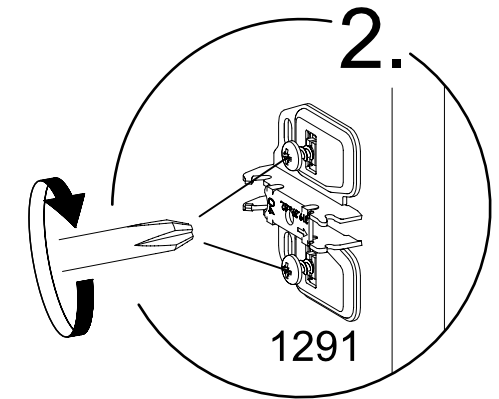
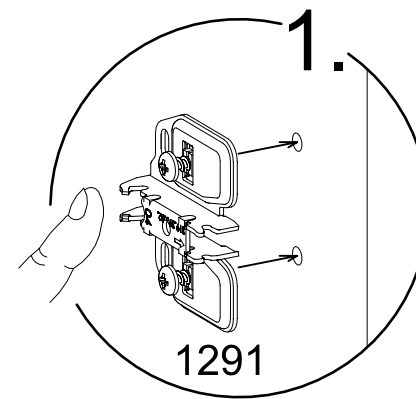
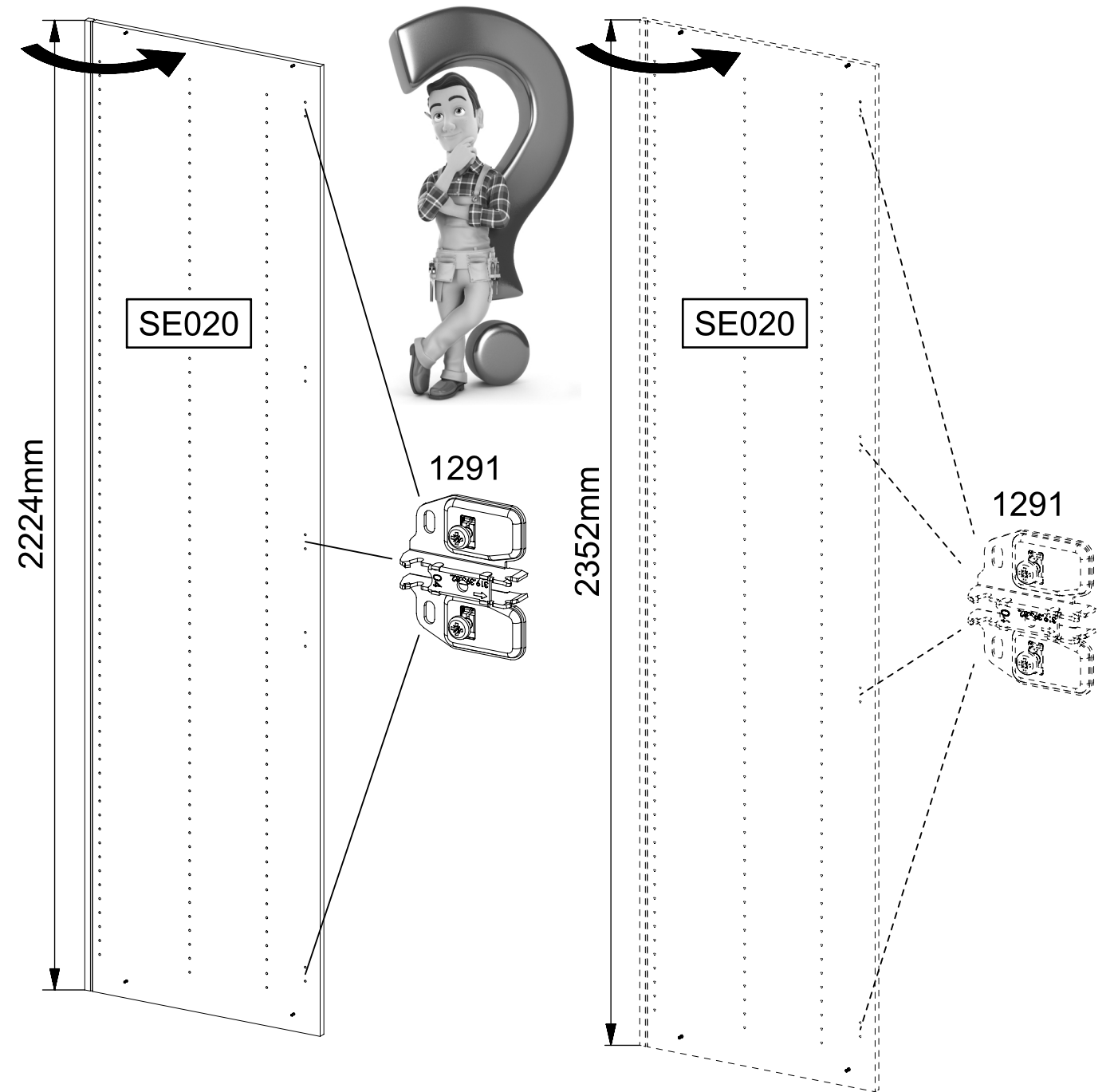
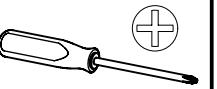
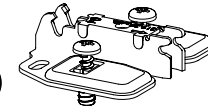
4

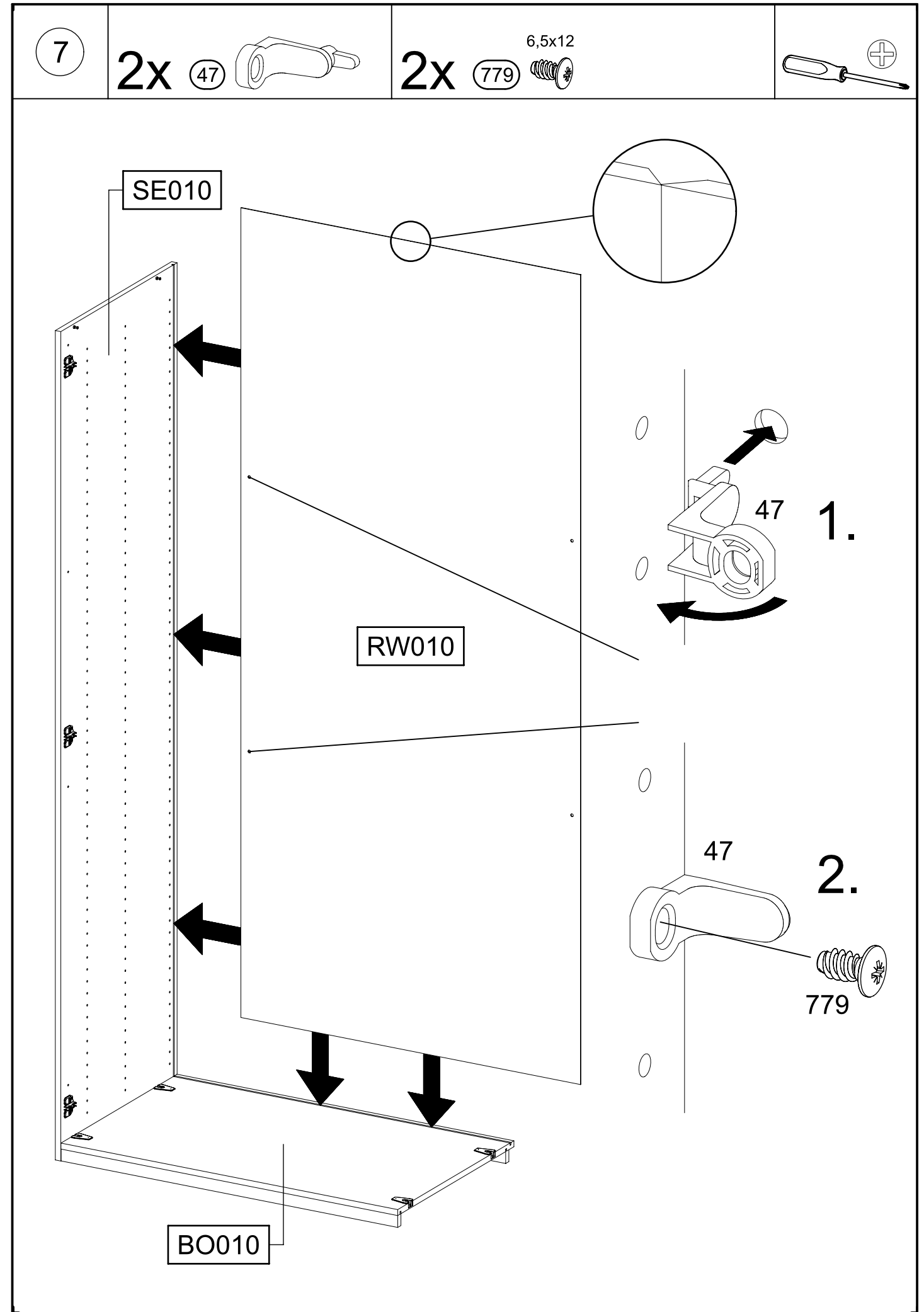
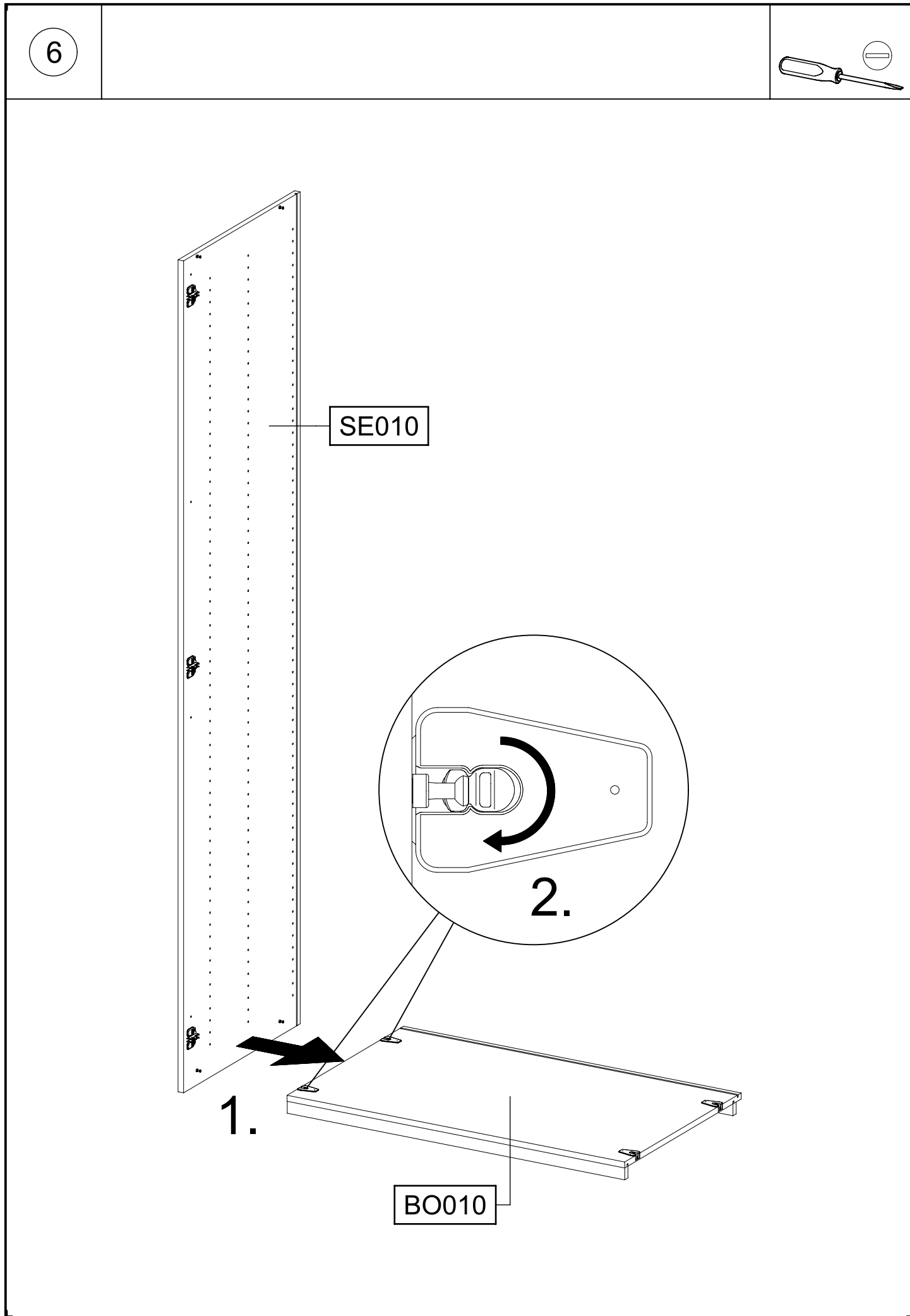
4x 1086

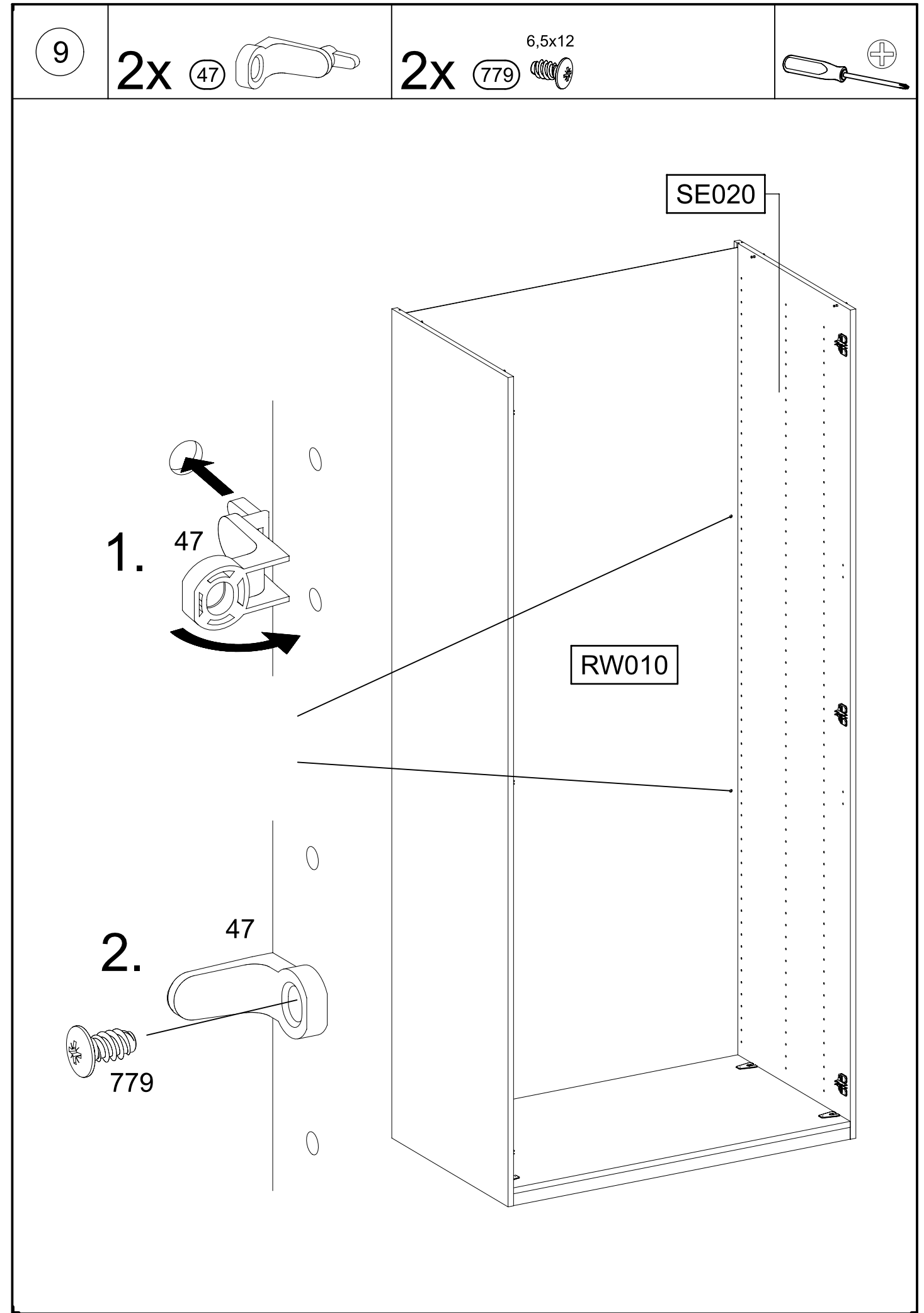
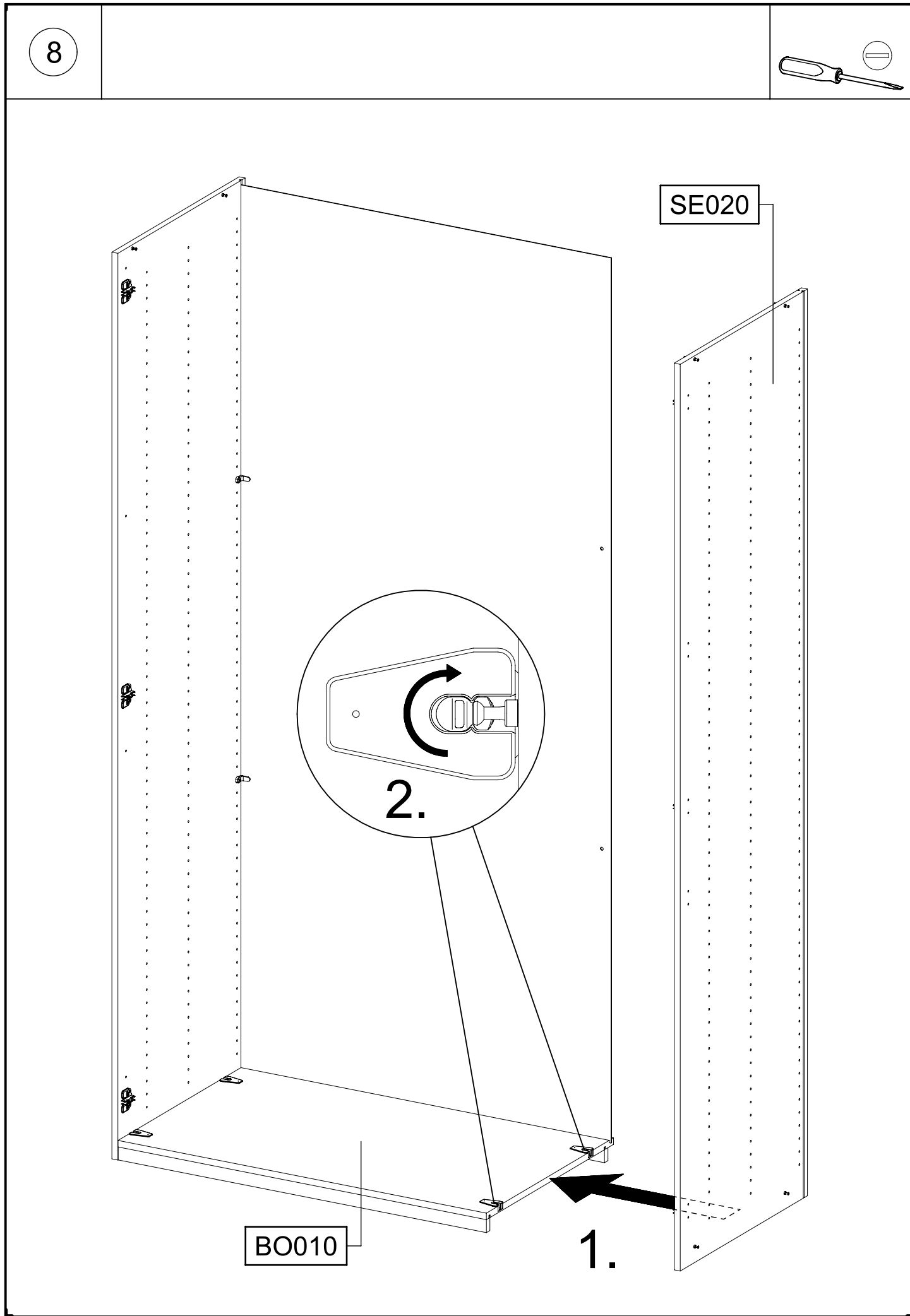


5

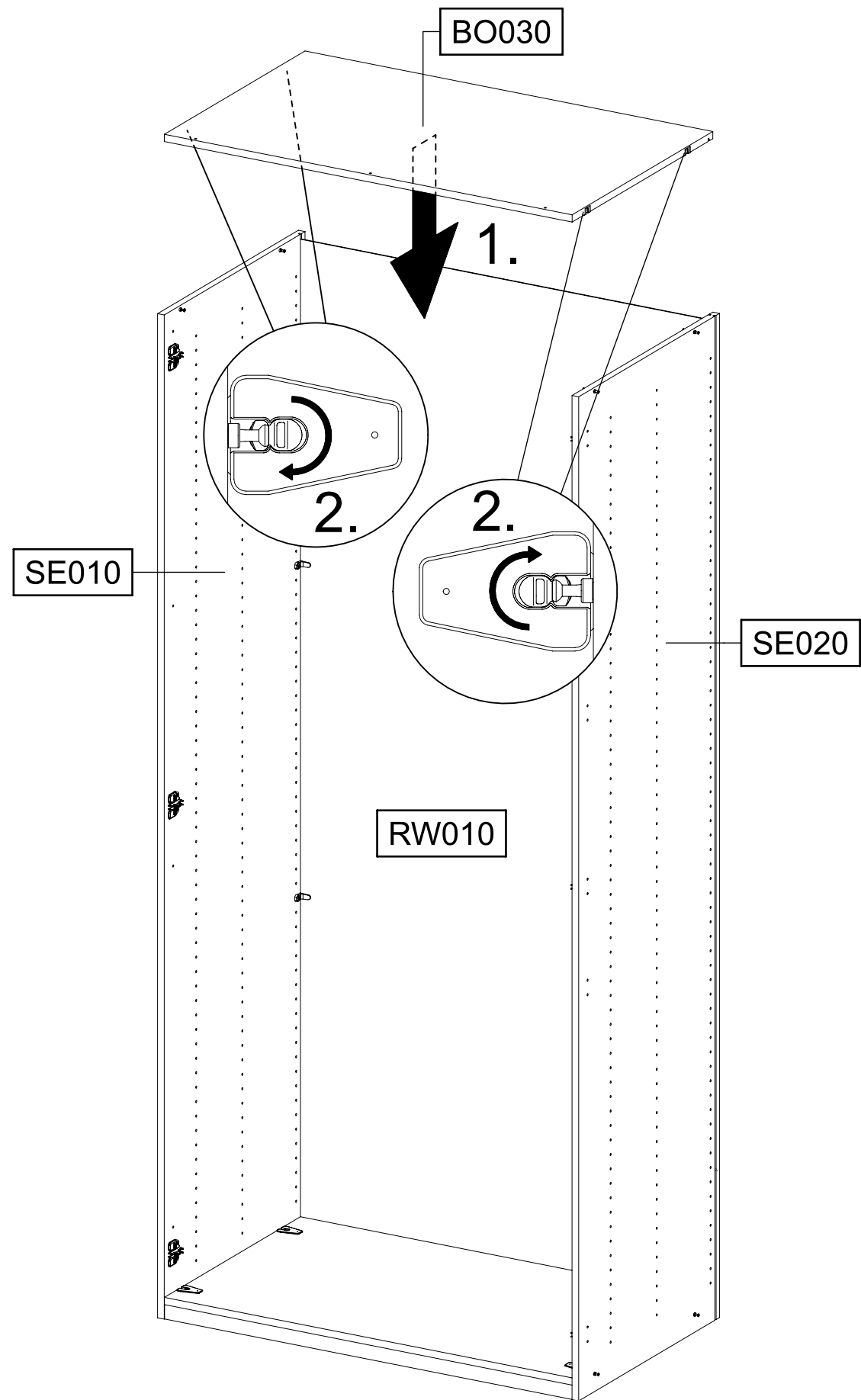
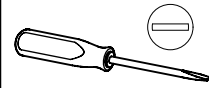
3-4x 1291



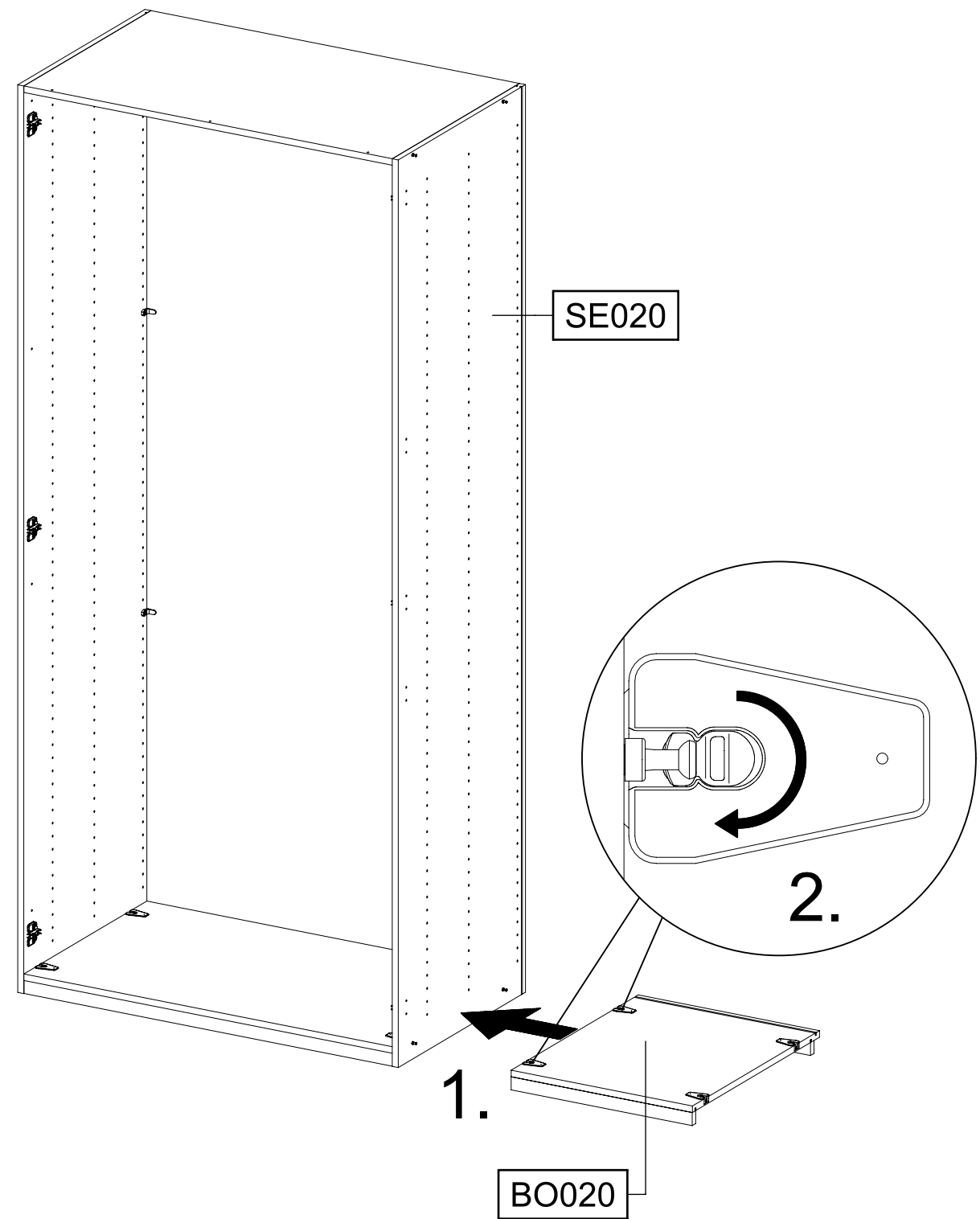
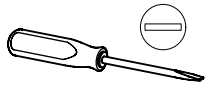




10



11



12

2x

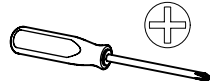
47



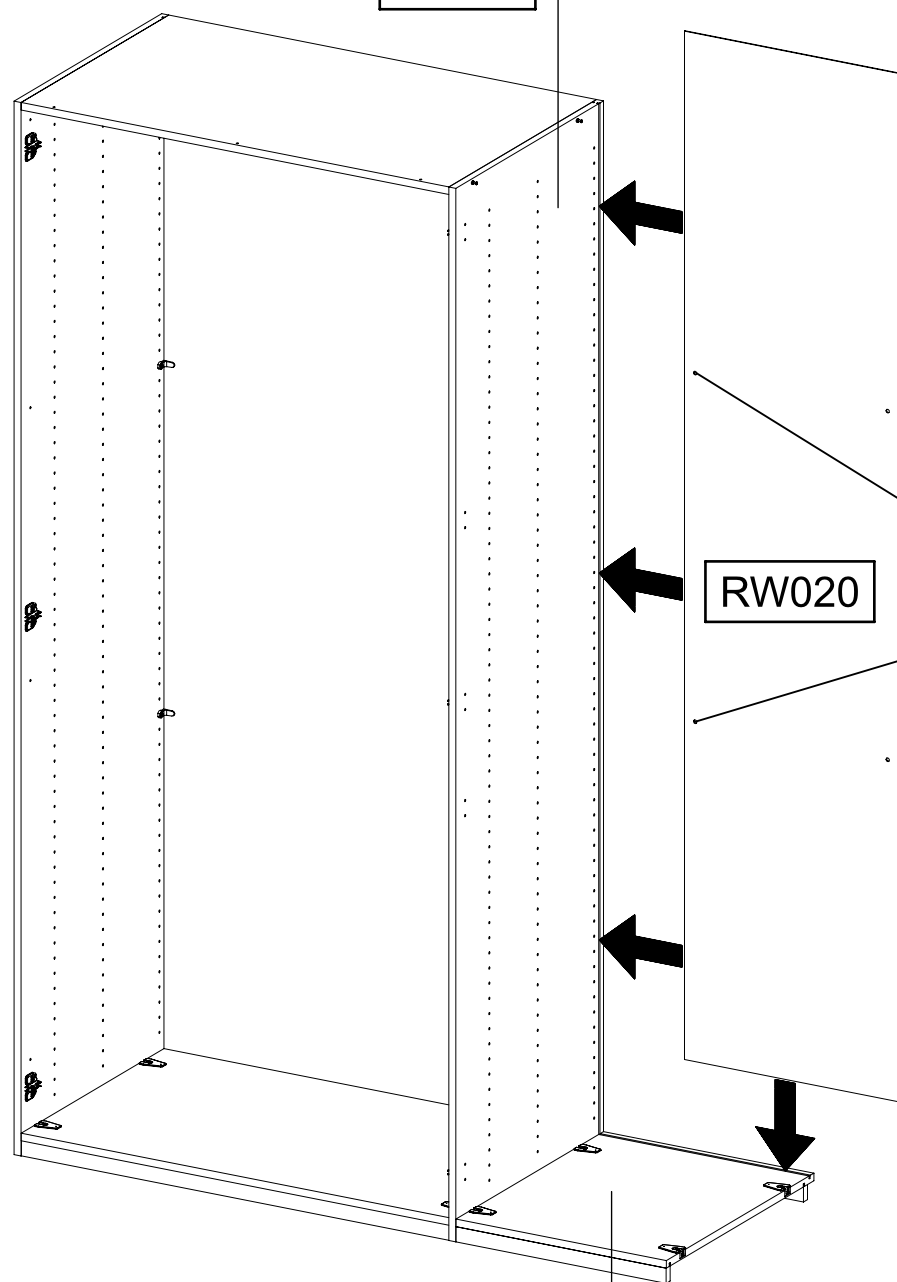
2x

779

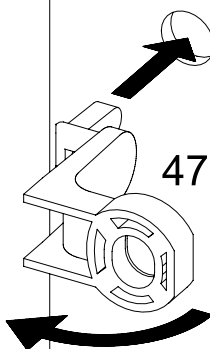
6,5x12



SE020



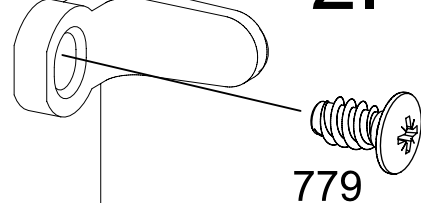
RW020



1.

47

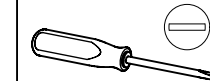
2.



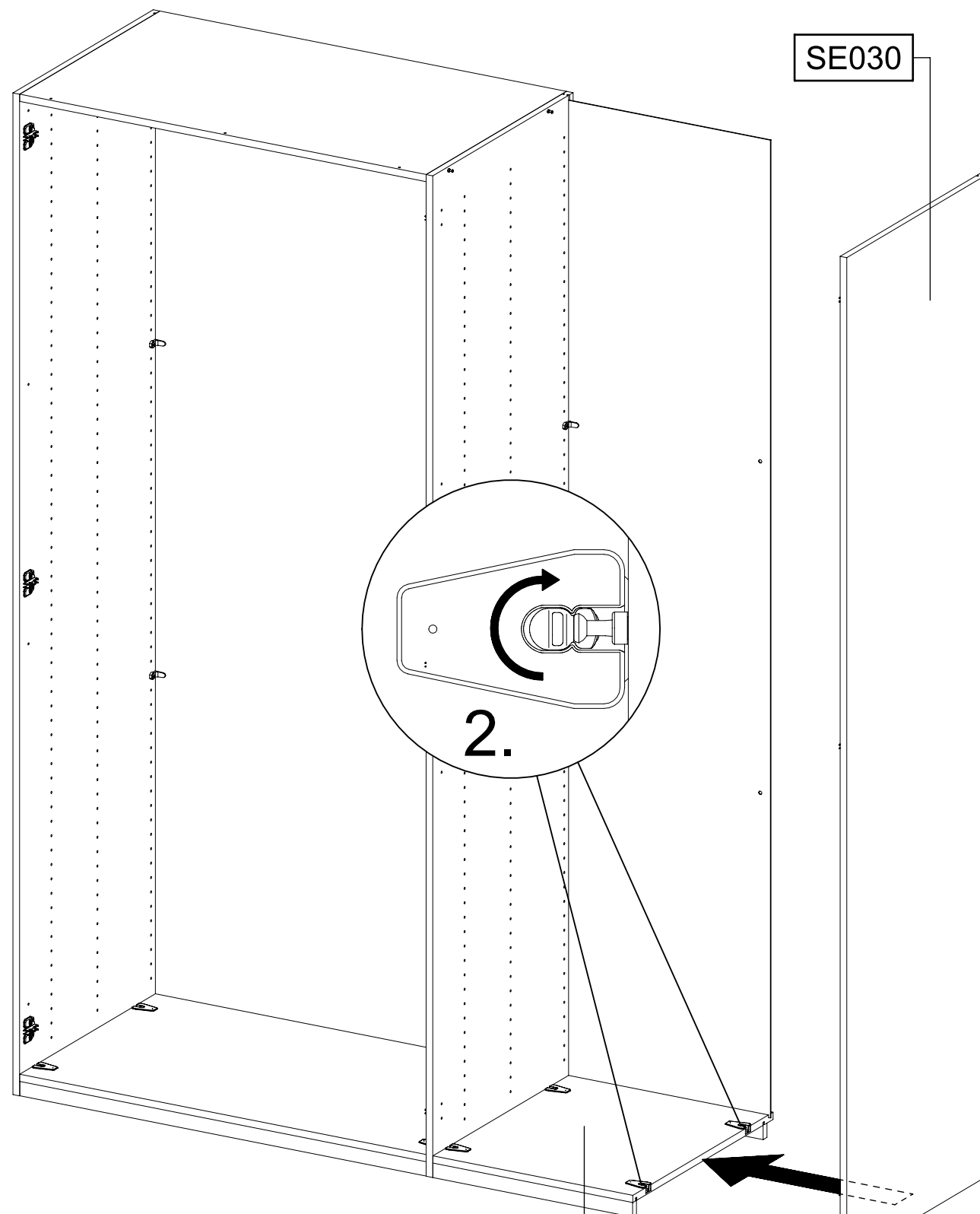
779

BO020

13

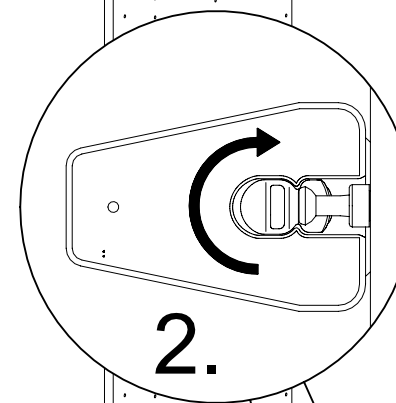


SE030



BO020

1.

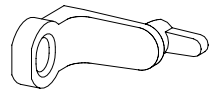


2.

14

2x

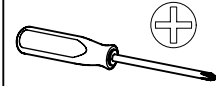
47



2x

779

6,5x12

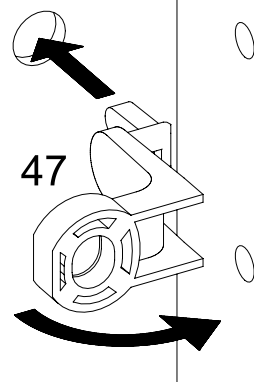


SE030

RW020

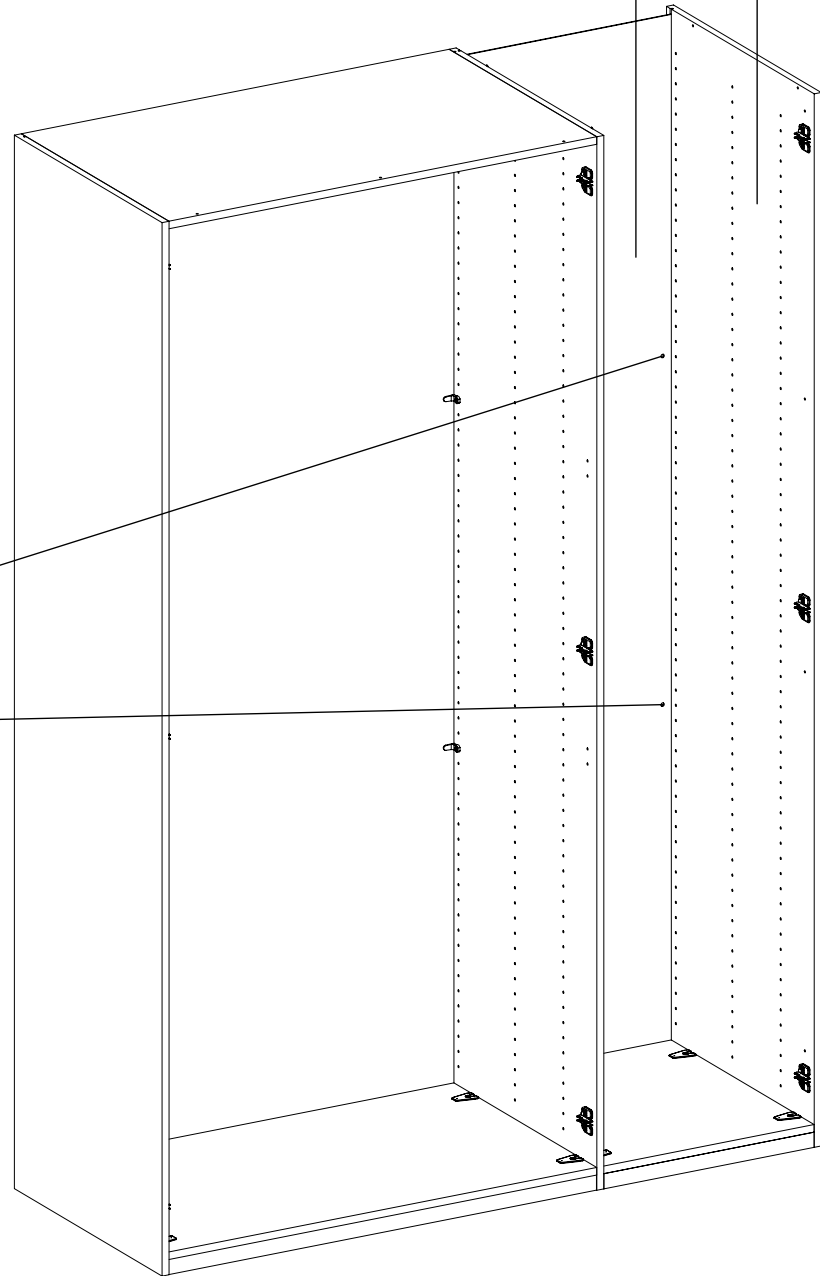
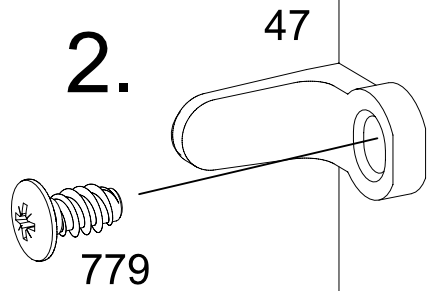
1.

47

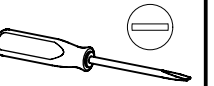


2.

47

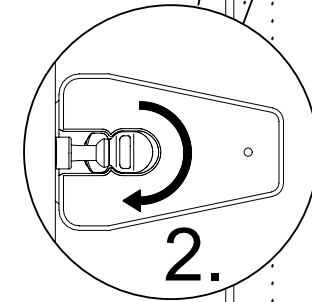


15



BO040

1.

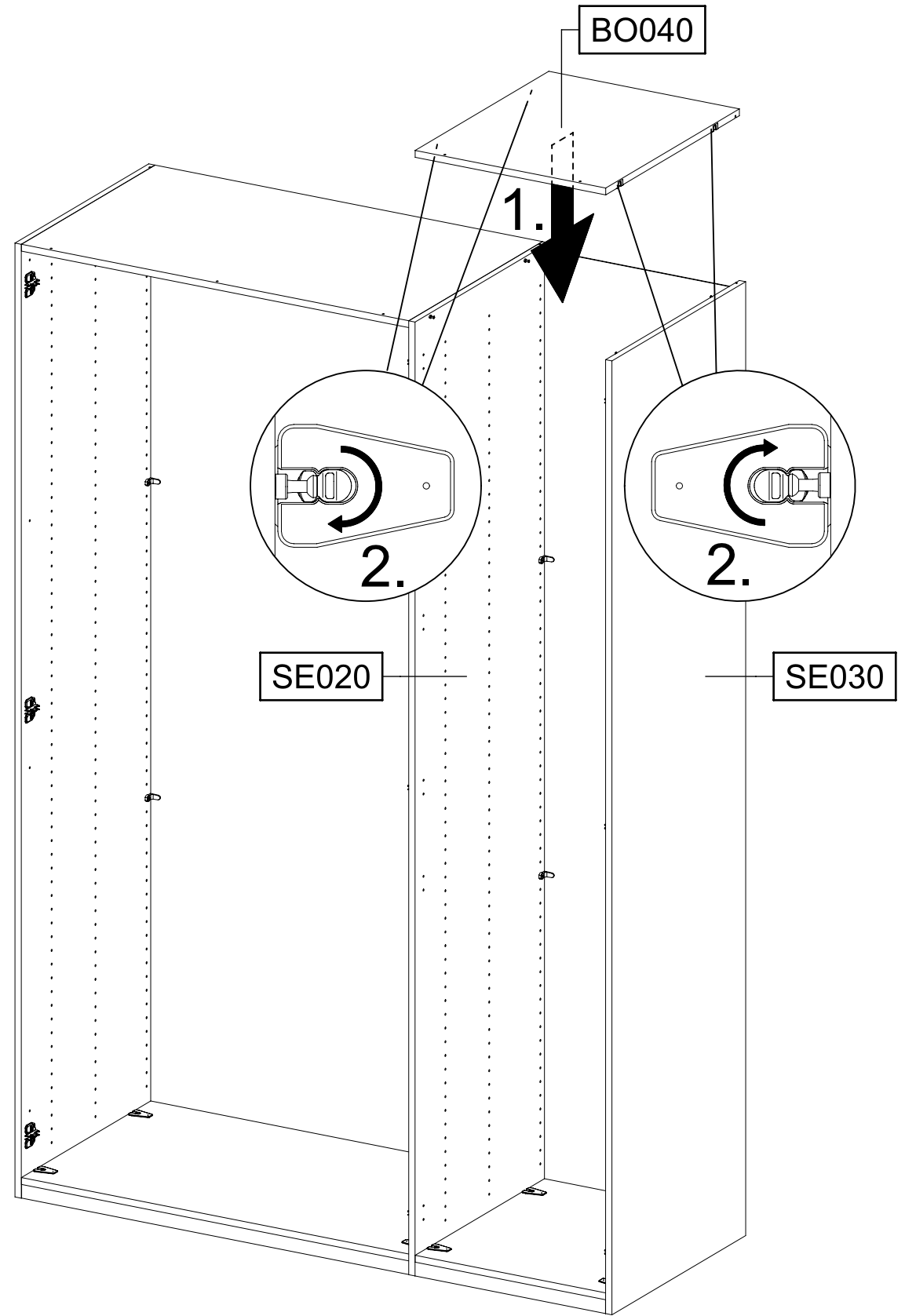


2.

SE020

2.

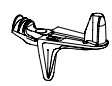
SE030



16

16x

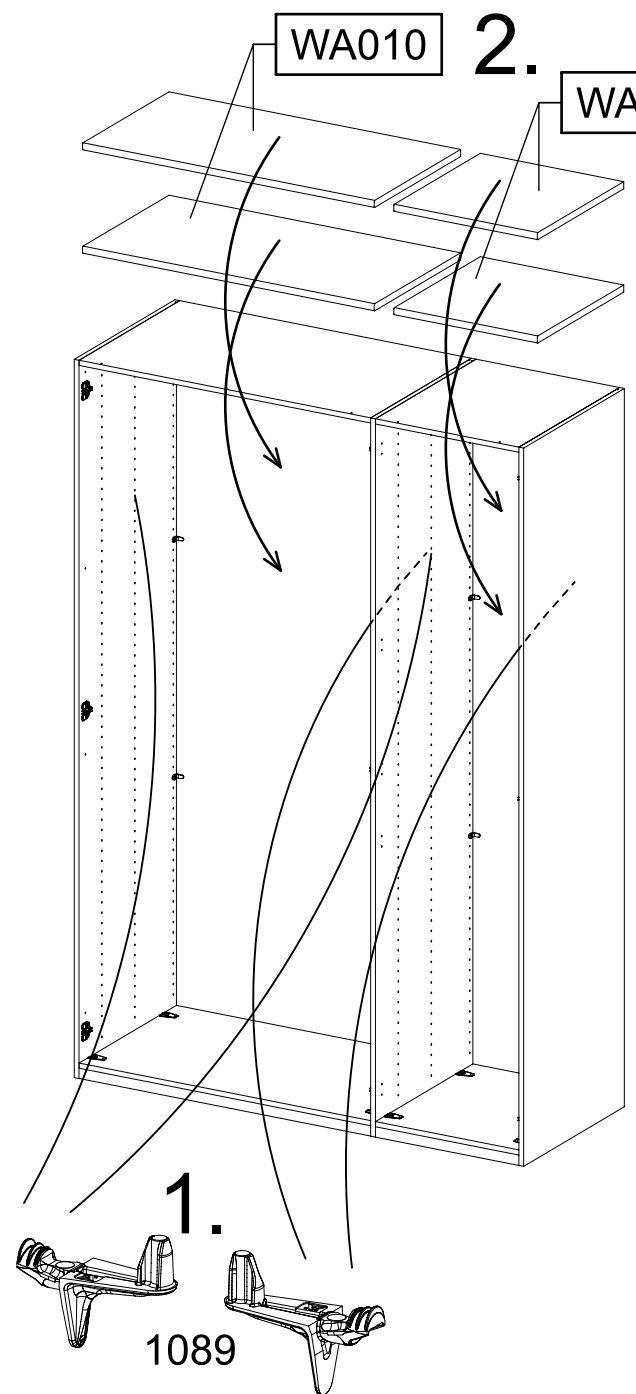
1089



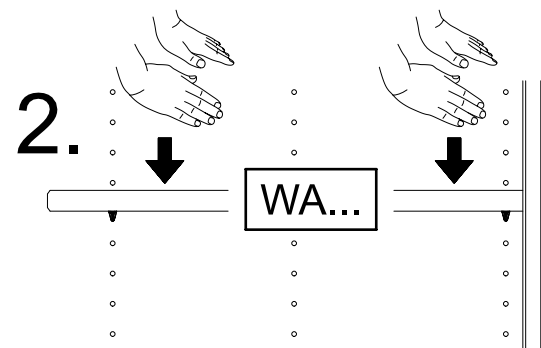
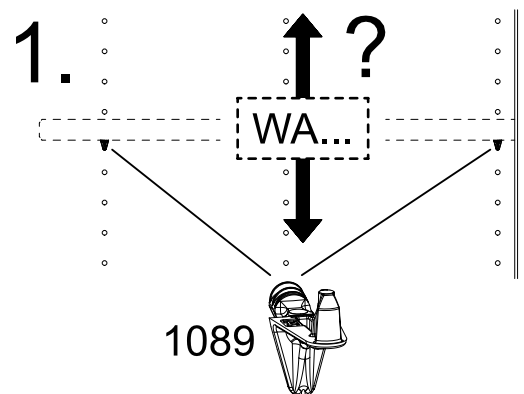
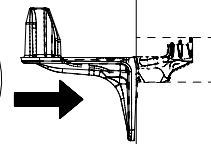
WA010

2.

WA020



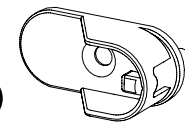
1089



17

4x

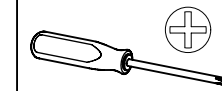
29



4x

205

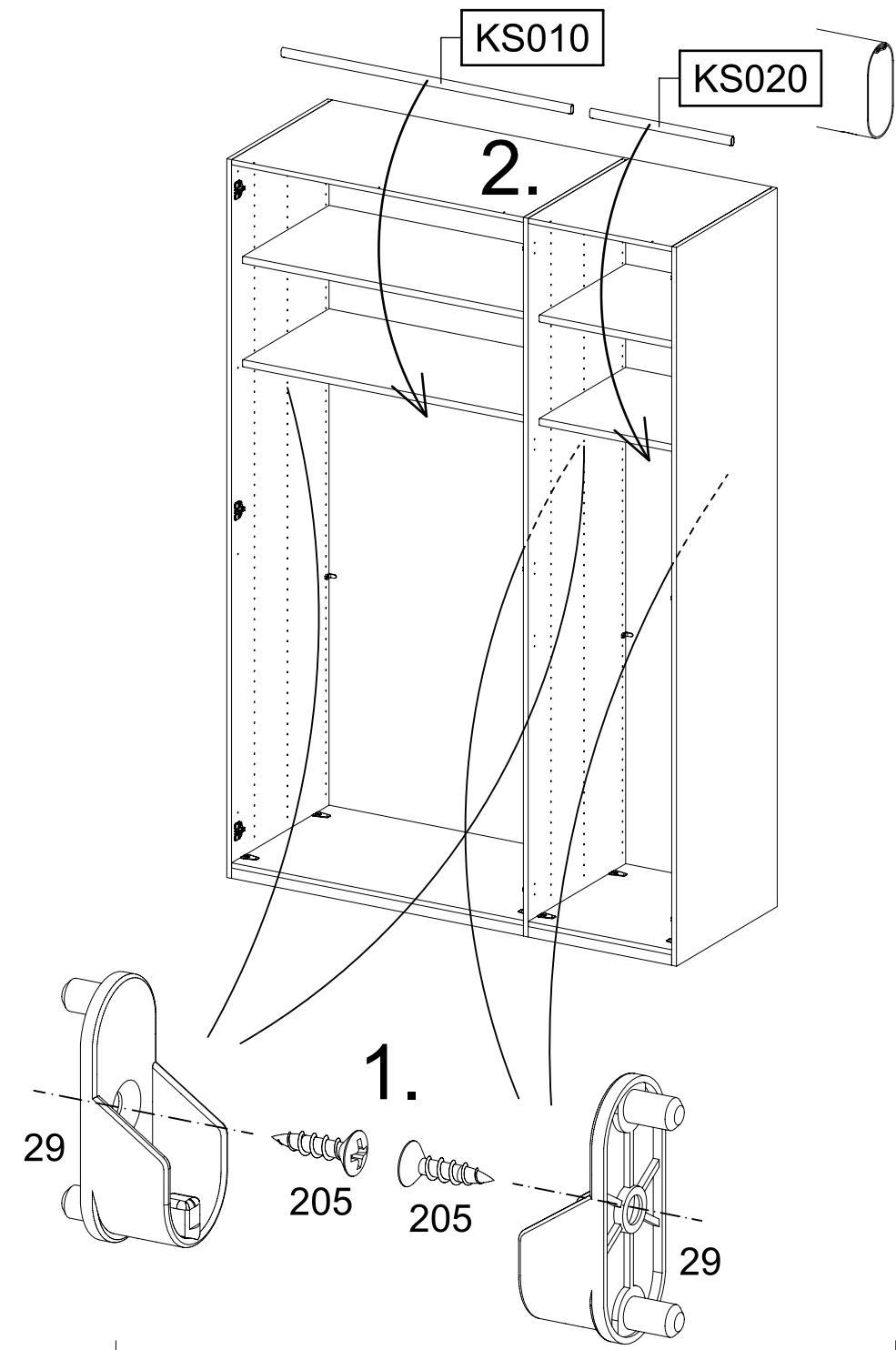
3,5x15



KS010

KS020

2.

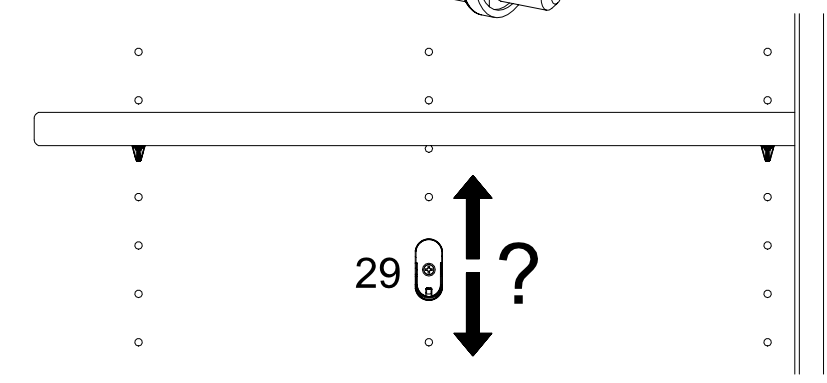


29

205

205

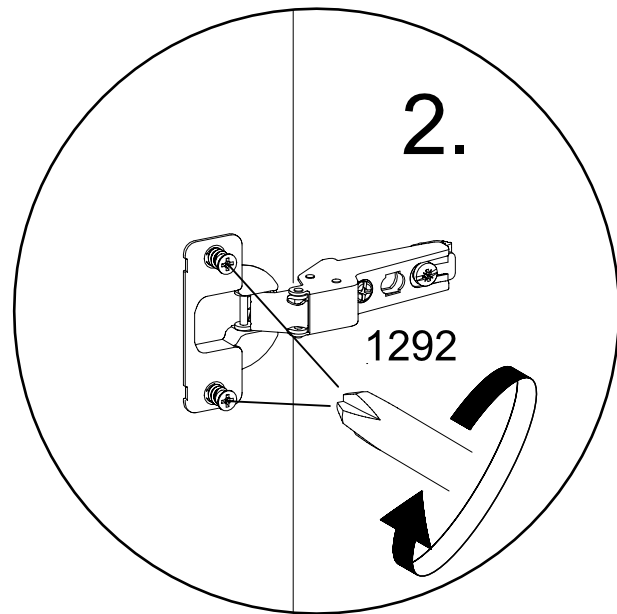
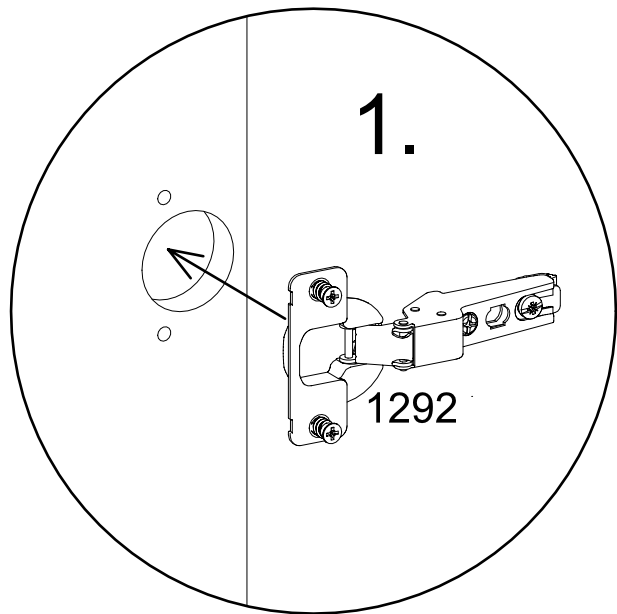
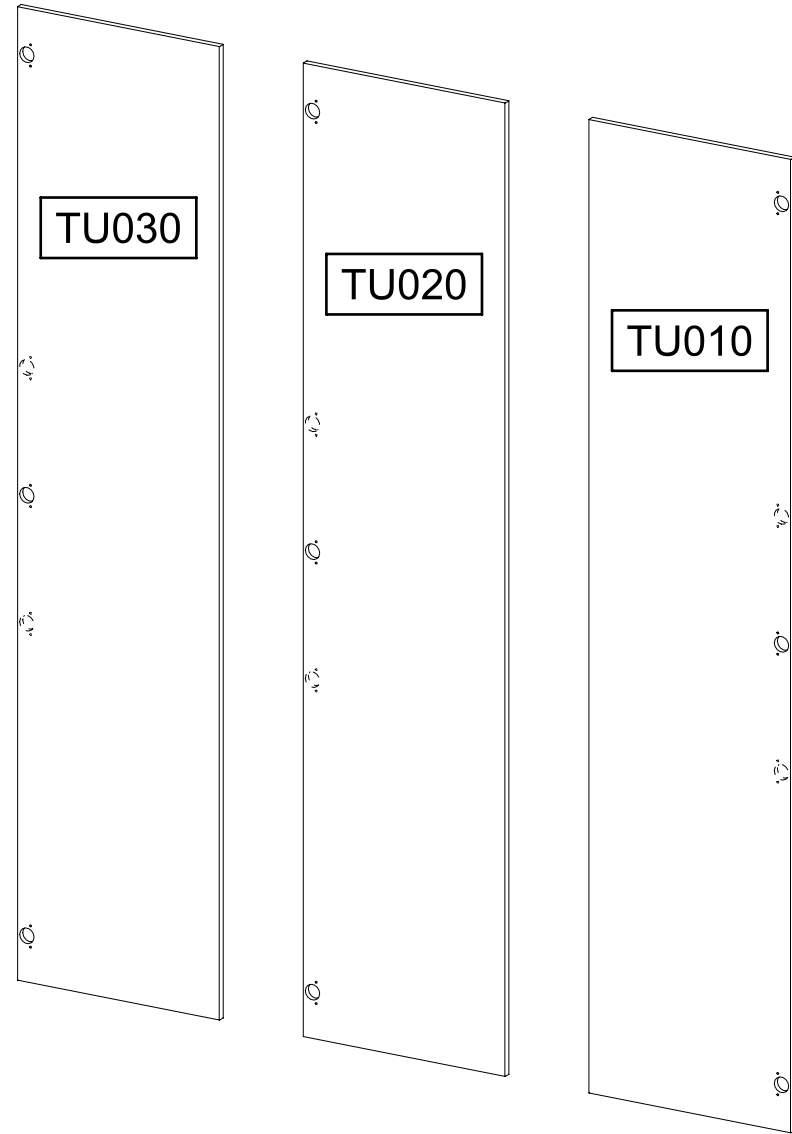
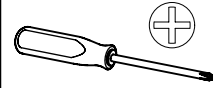
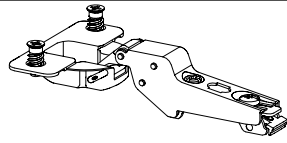
29



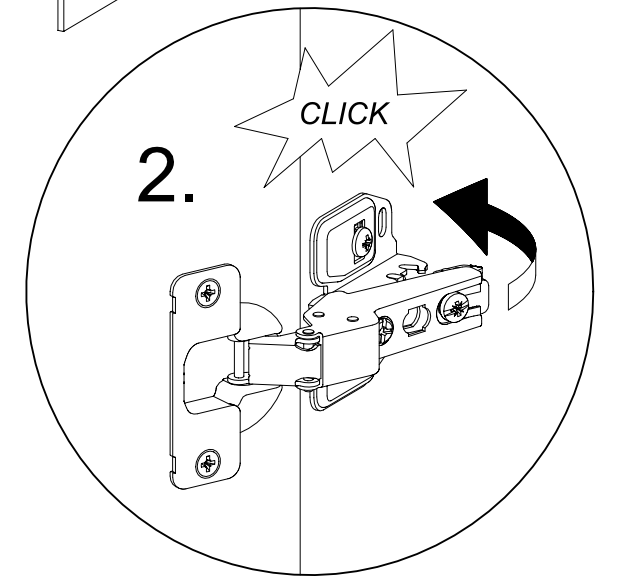
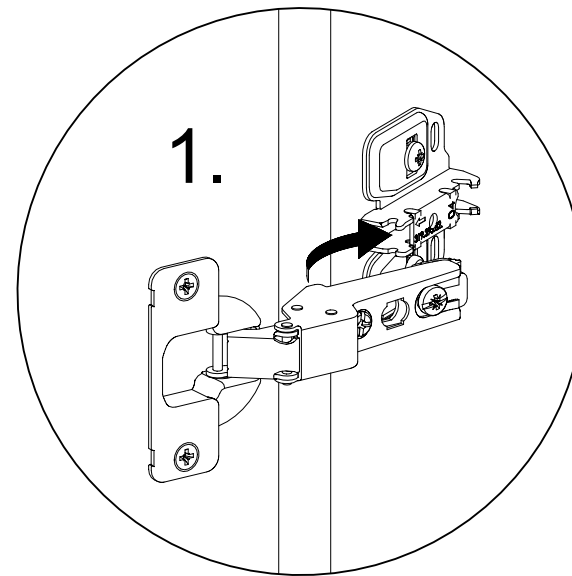
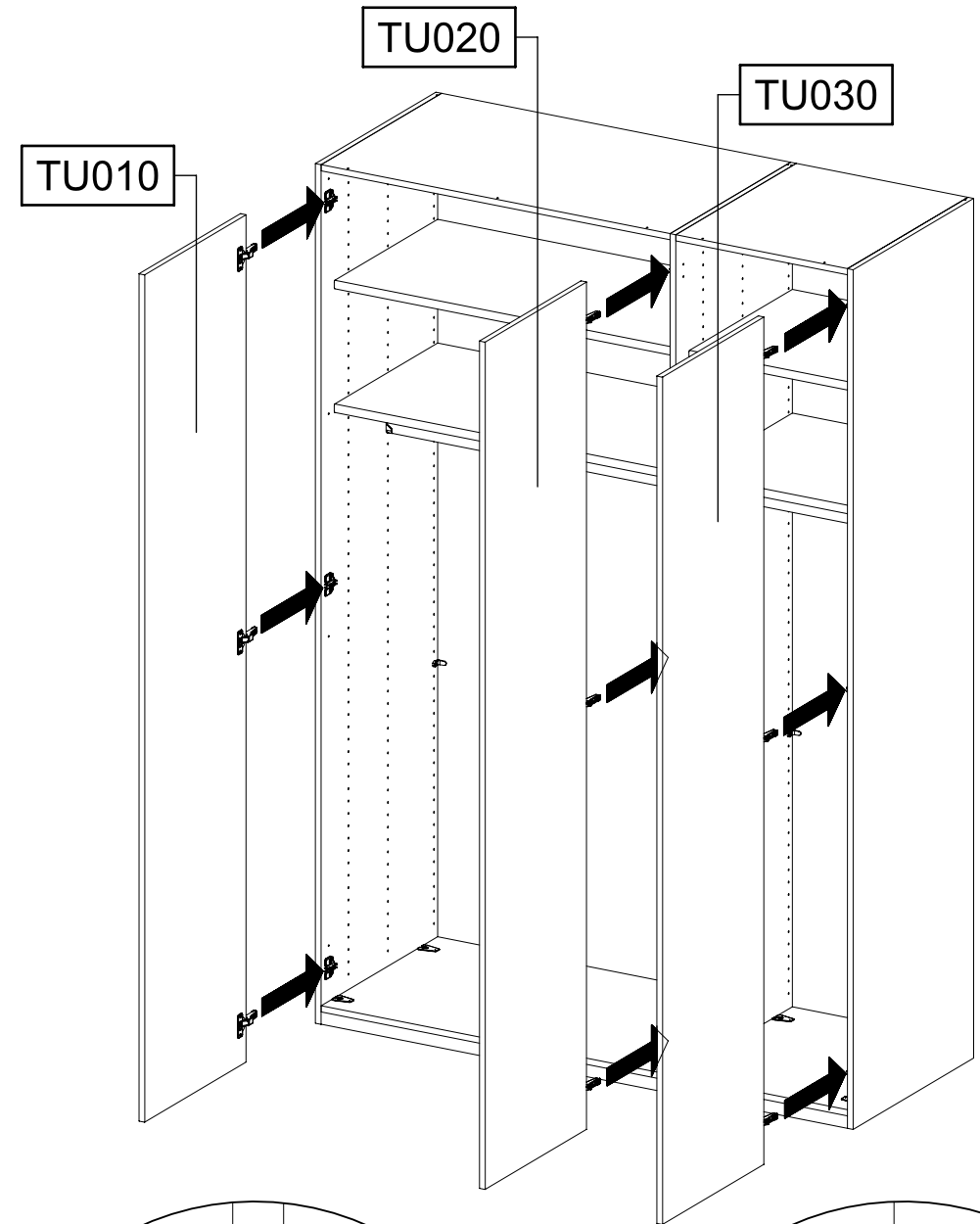
29

18

9-12x 1292



19

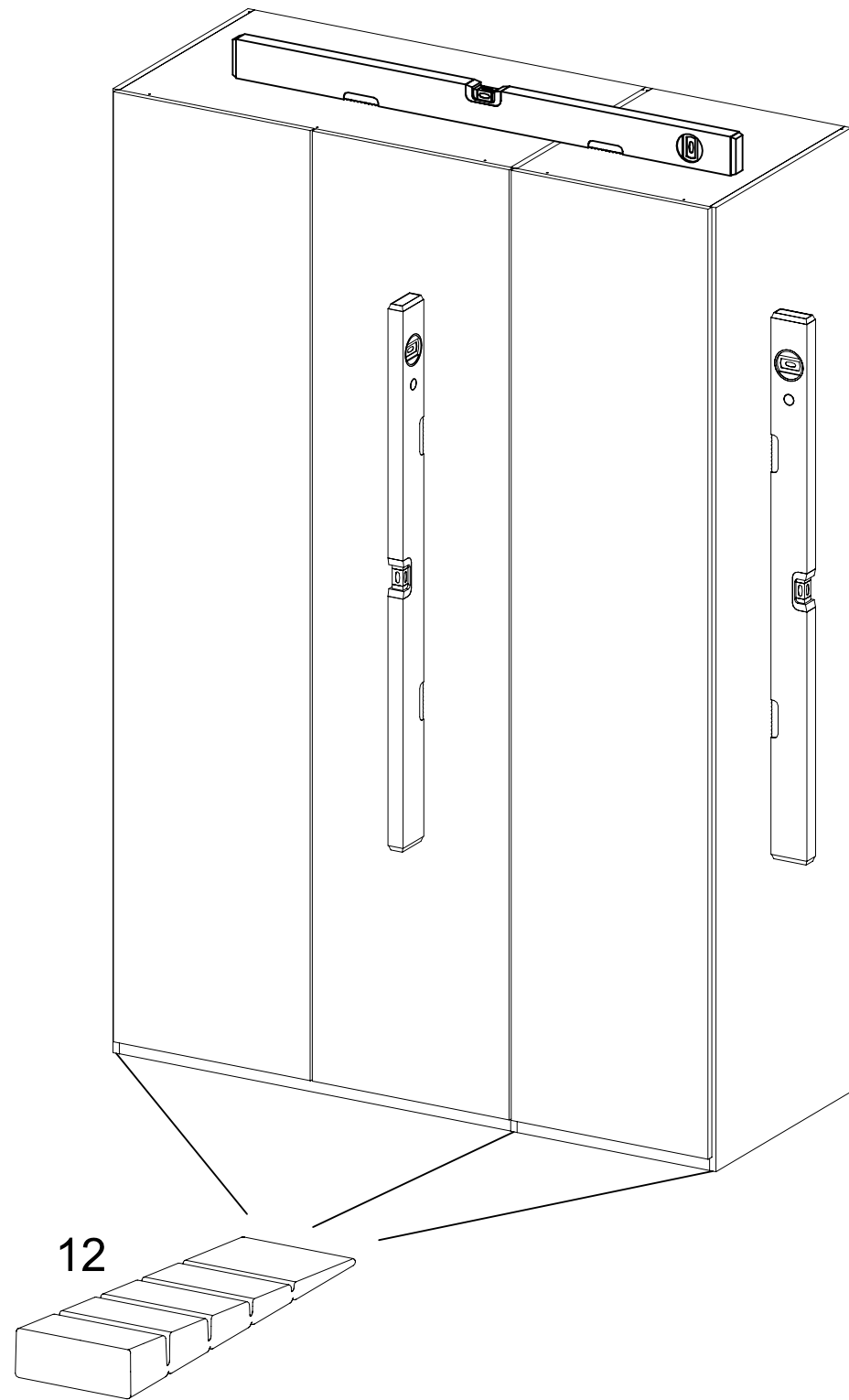
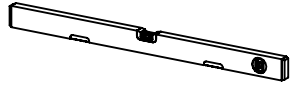
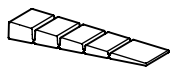


20

0-6x

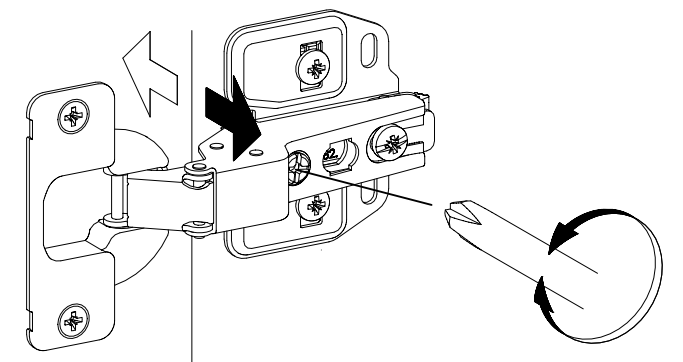
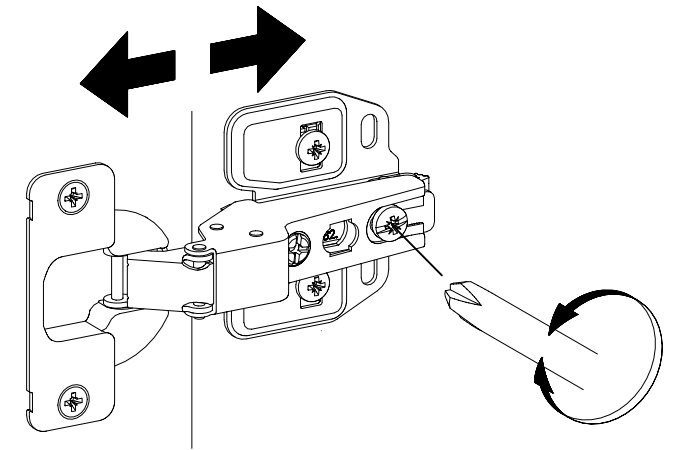
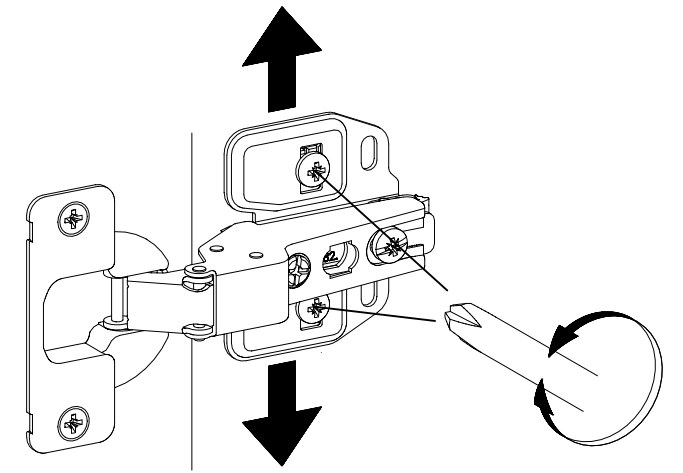
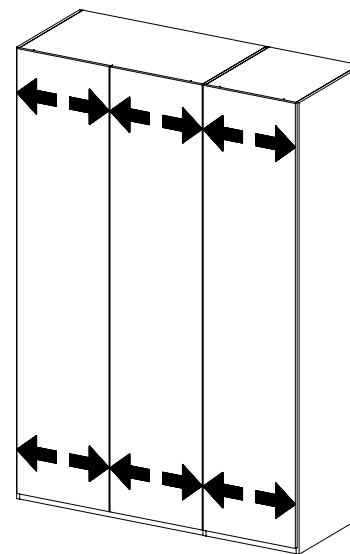
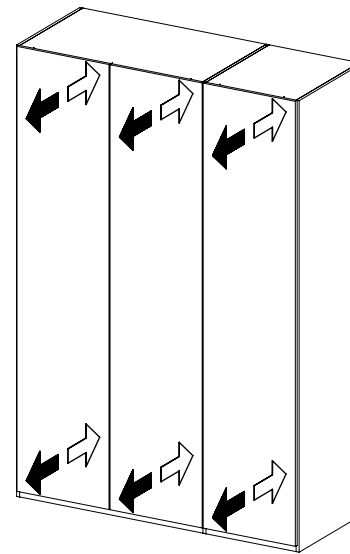
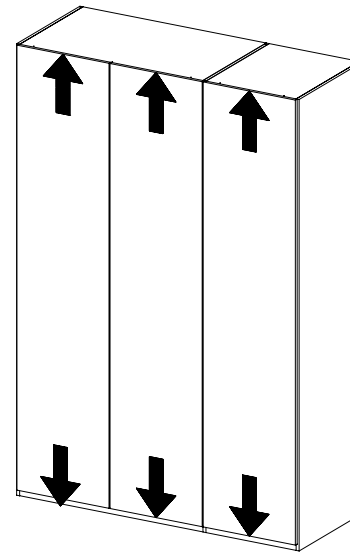
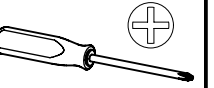
12

55x16x6,2



12

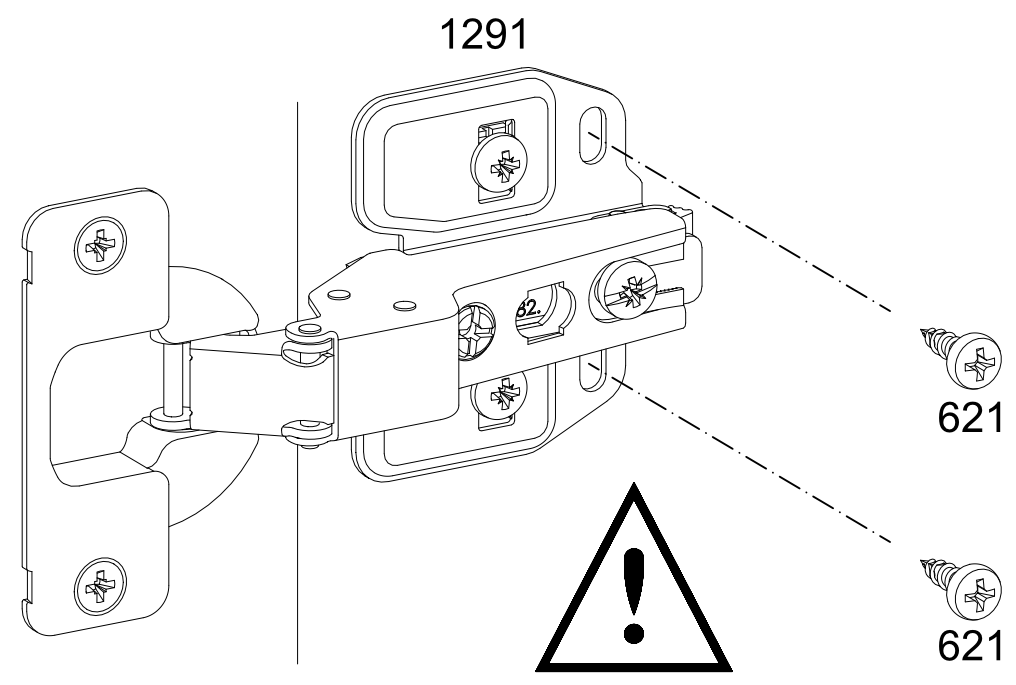
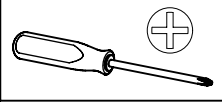
21



22

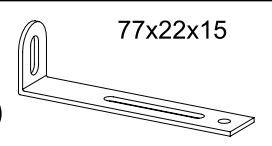
18-24x

4x13
621



23

2x 68



4x 201

