



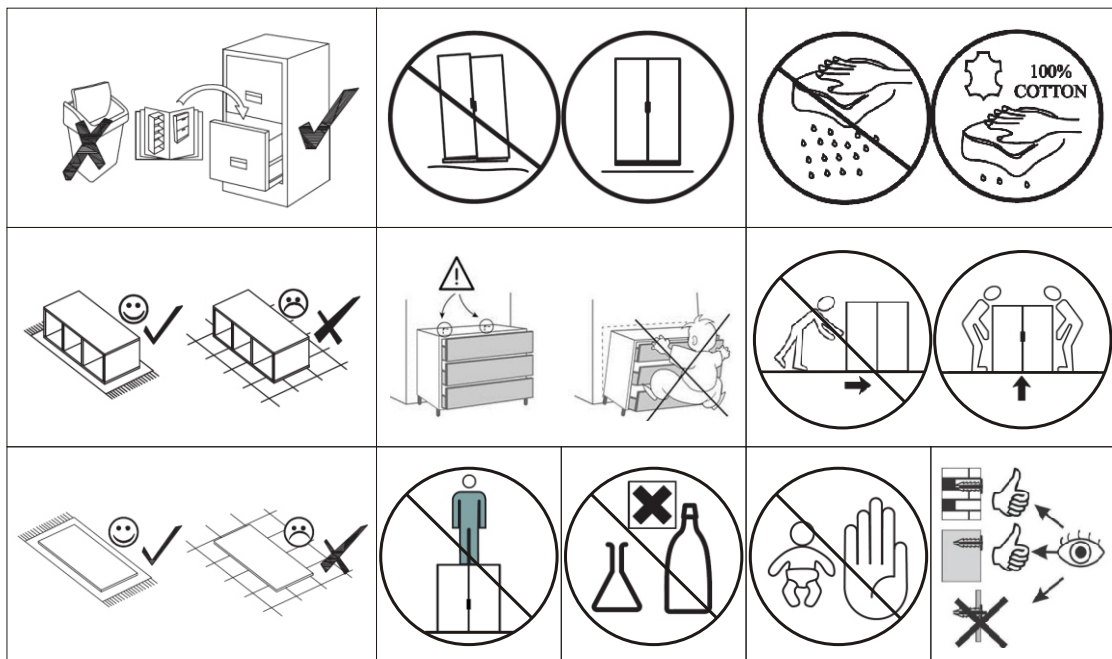
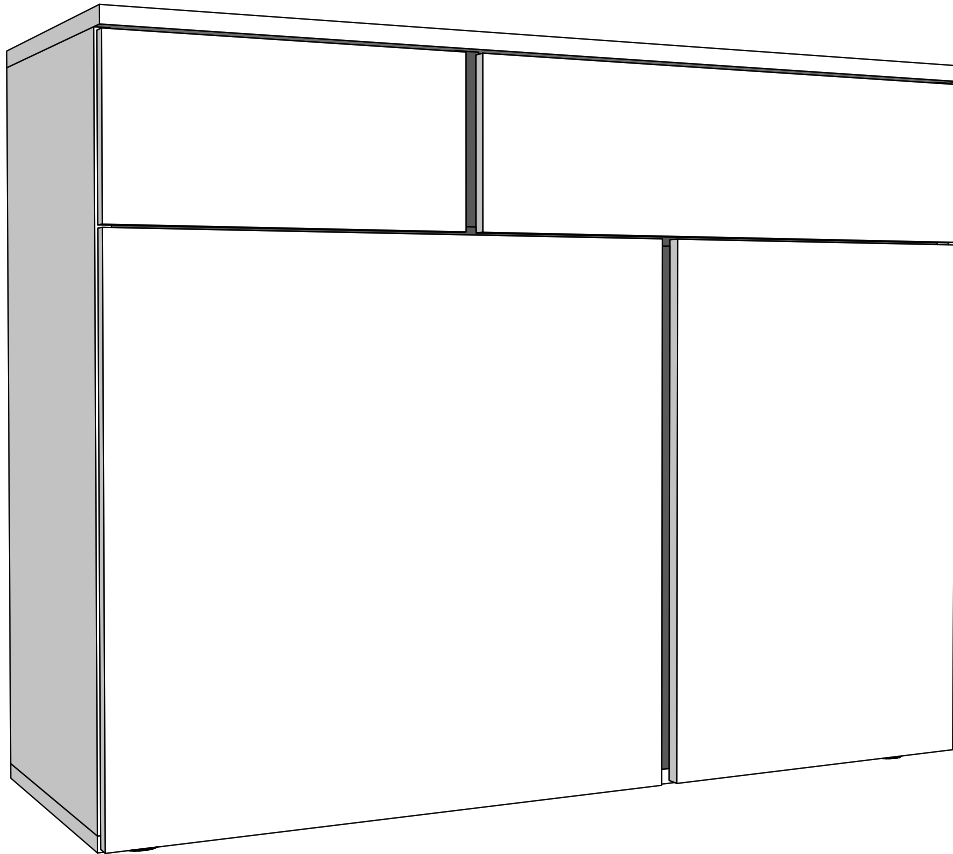
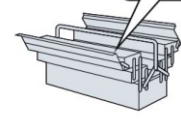
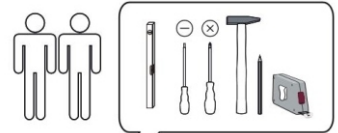
PADUA LIGHT 2

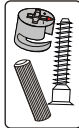
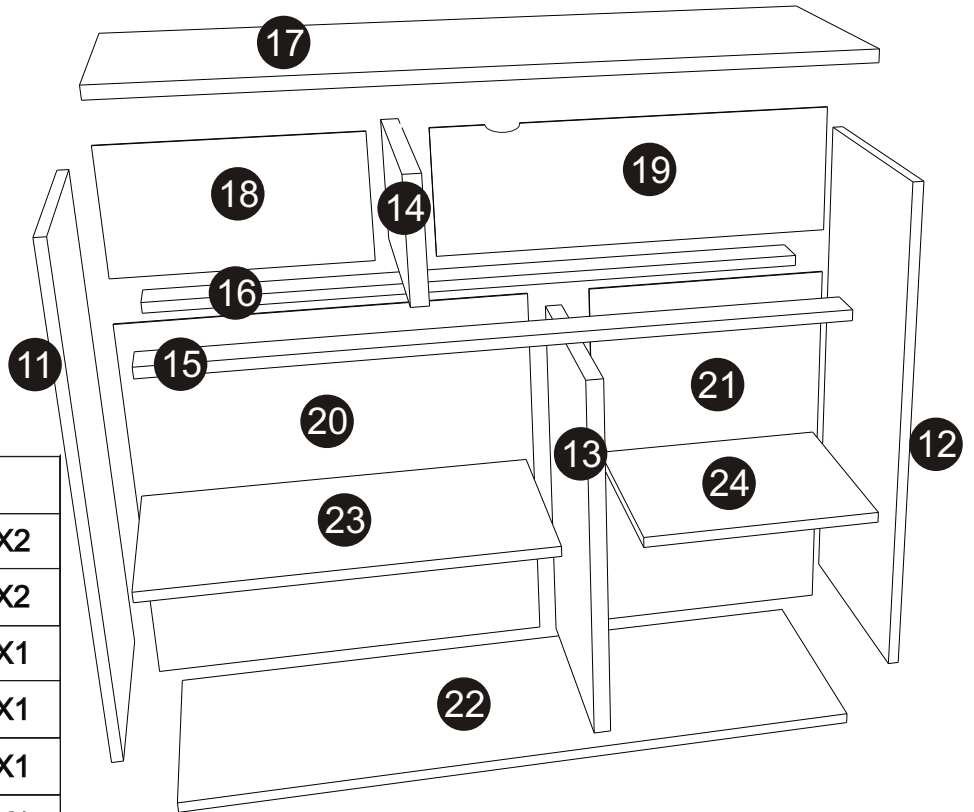
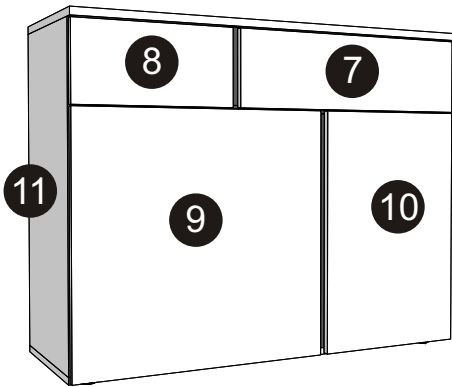
43-062-...-3

1/14



wyprodukowano dla / made for / produziert für
BEGA GRUPPE
producent: **MEBLE OKMED** POLAND



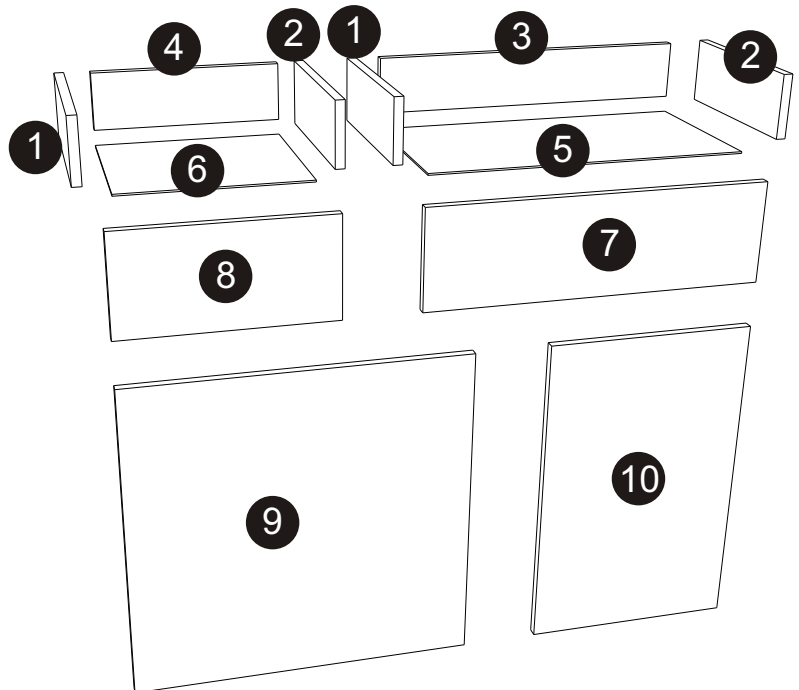


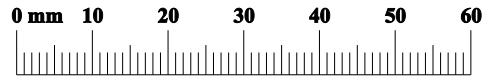
1/2

1	16x110x300	X2
2	16x110x300	X2
7	16x181x604	X1
8	16x181x373	X1
9	16x583x604	X1
10	16x583x373	X1
11	16x757x350	X1
12	16x757x350	X1
18	3x194x377	X1
19	3x194x608	X1
20	3x579x608	X1
21	3x579x377	X1

2/2

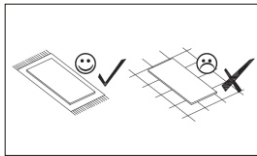
3	16x549x97	X1
4	16x317x97	X1
5	3x562x305	X1
6	3x331x305	X1
13	25x562x332	X1
14	25x177x332	X1
15	16x969x85	X1
16	16x969x85	X1
17	18x1002x370	X1
22	16x1002x350	X1
23	16x587x322	X1
24	16x356x322	X1



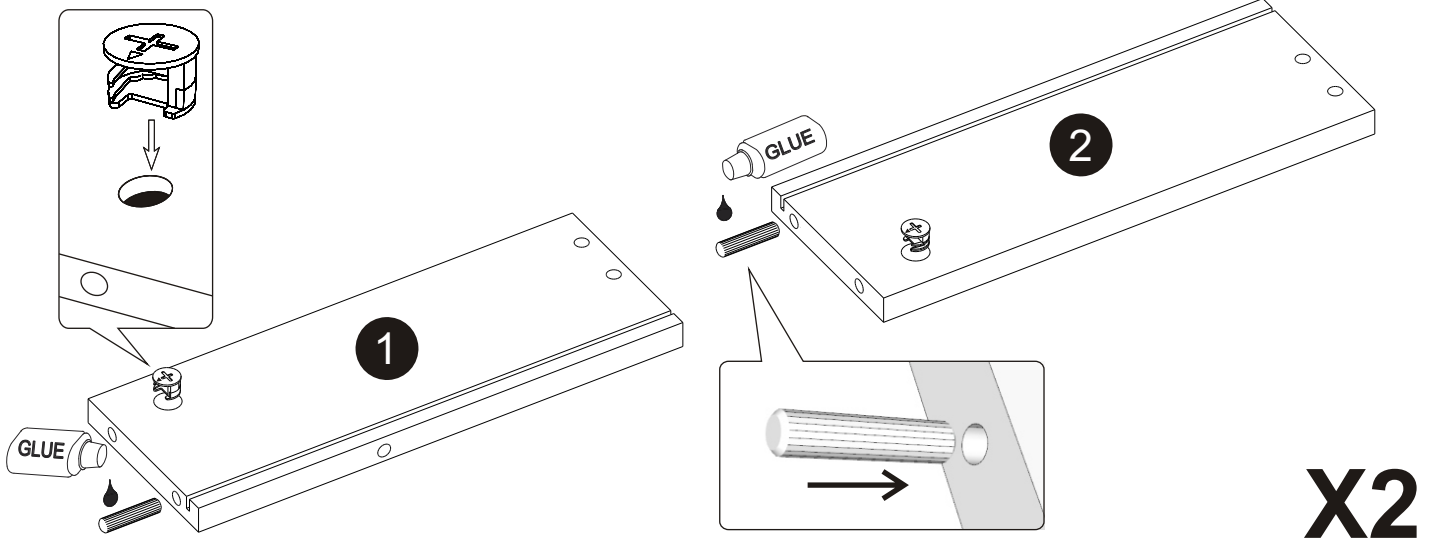


KK1	x1	K1	X14	ZM1B	X14	ZM1A	x14	S1	X14	PQ4	X2
L-300		3,5x16	8x35	OM1	X4	GLUE		ZM1	x14		
PQ3	X2	W11	X10	KD1	X28	OM1	X4	KSK1	x1	ZM1	x14
SS4	X5	W1	X5	KS1	X1	W1	X18	PL1	X12	KRW1	x1
ZP	X4	Z1P	X4	W4	X8	PP	X8				

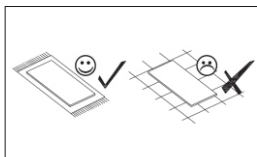
01



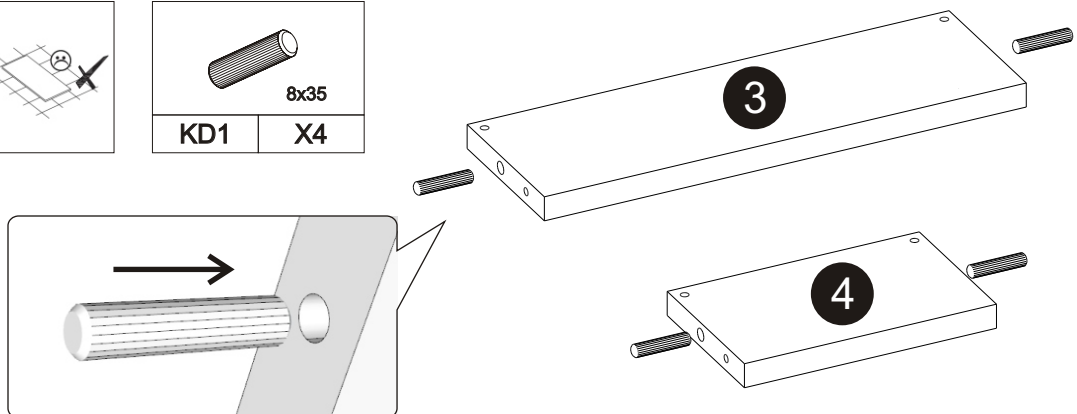
8x35	ZM1A	GLUE			
KD1	X2	ZM1A	X2	KSK1	x1



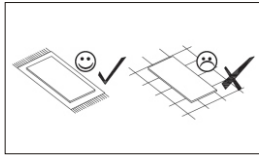
02



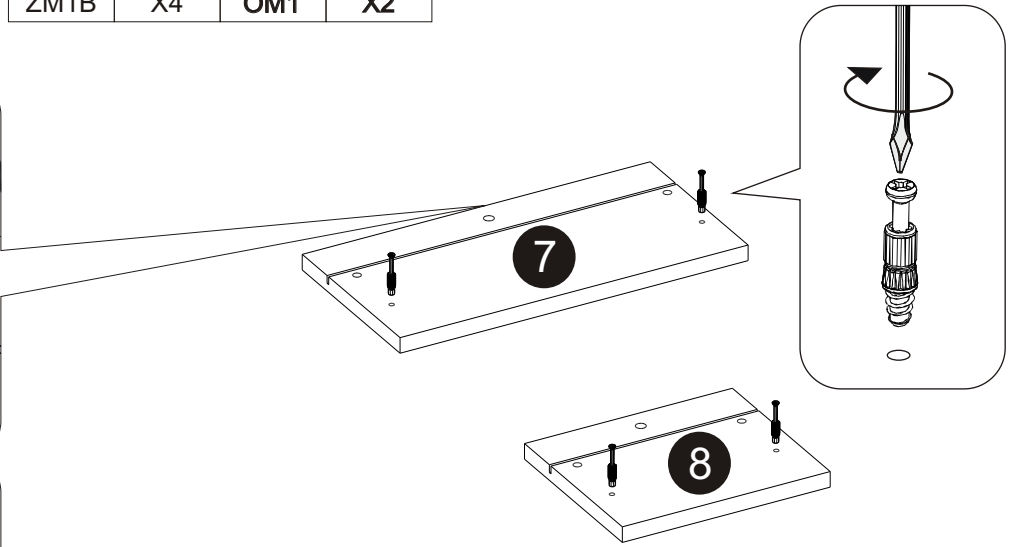
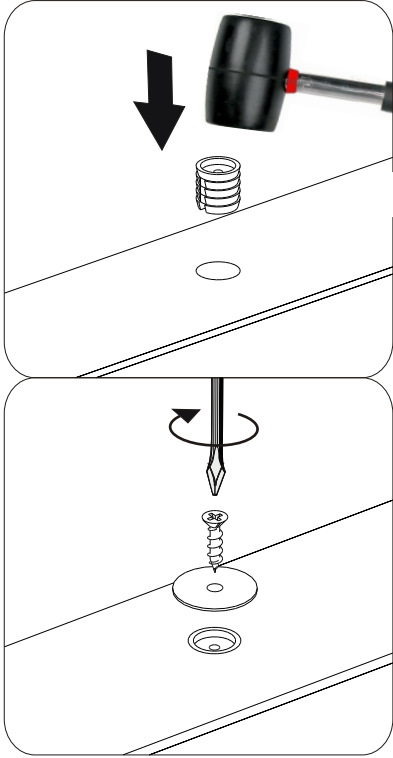
8x35	
KD1	X4



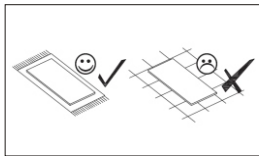
03



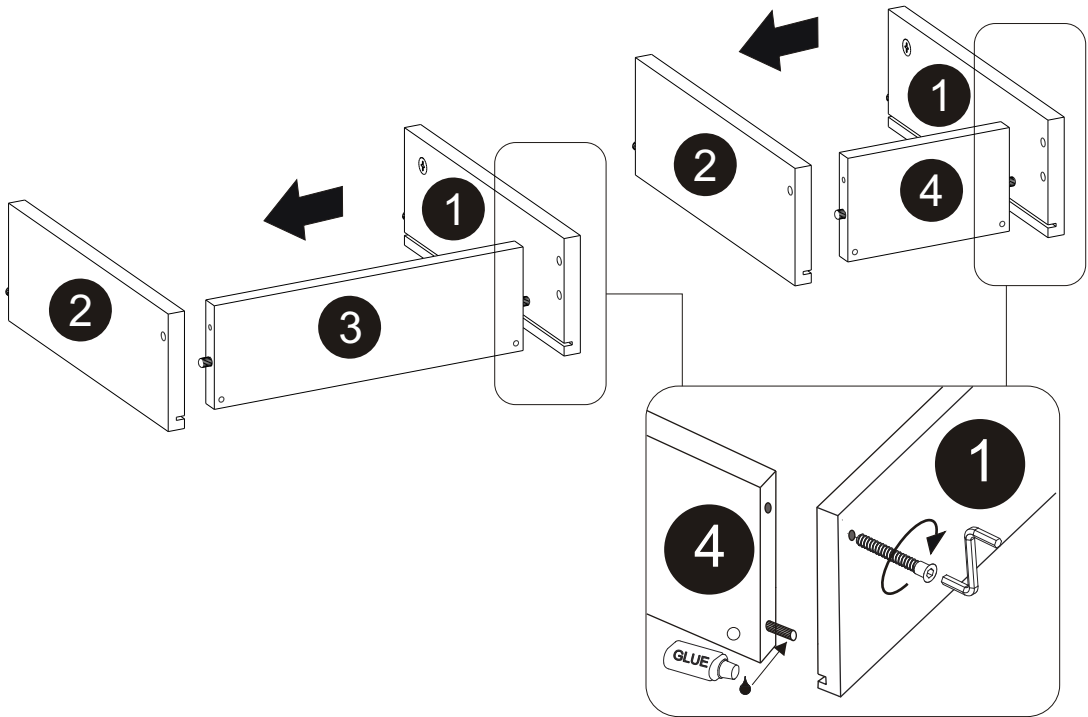
	ZM1B	X4		OM1	X2
--	------	----	--	-----	----



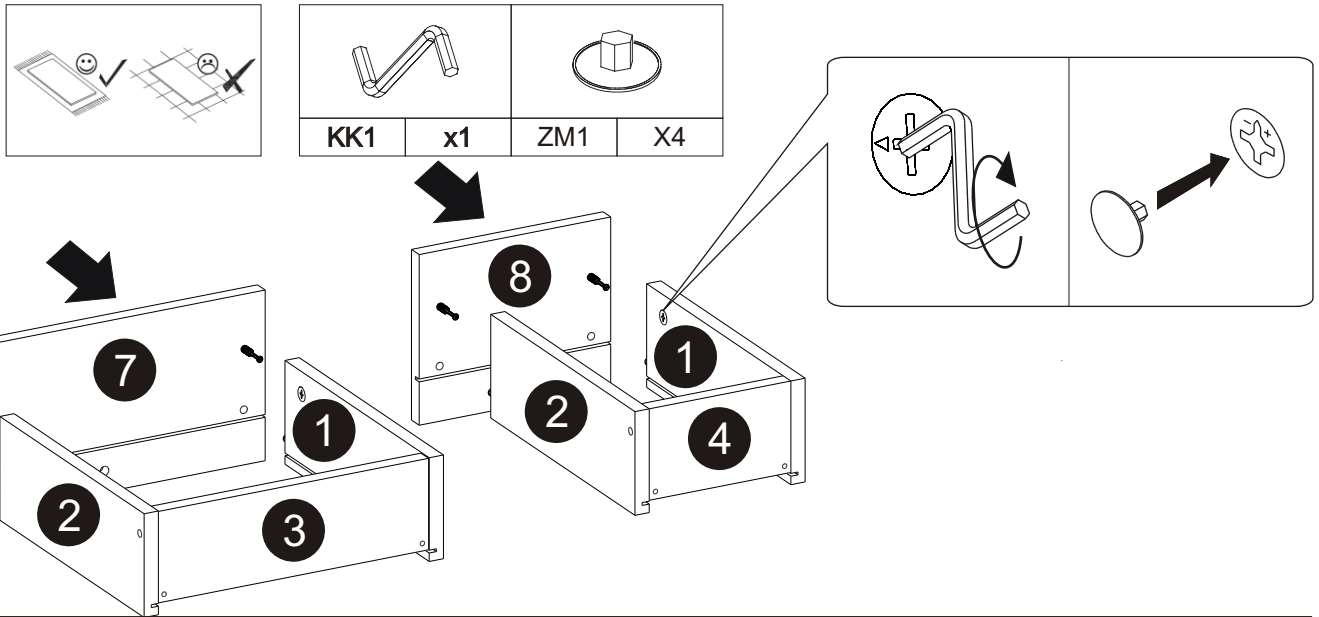
04



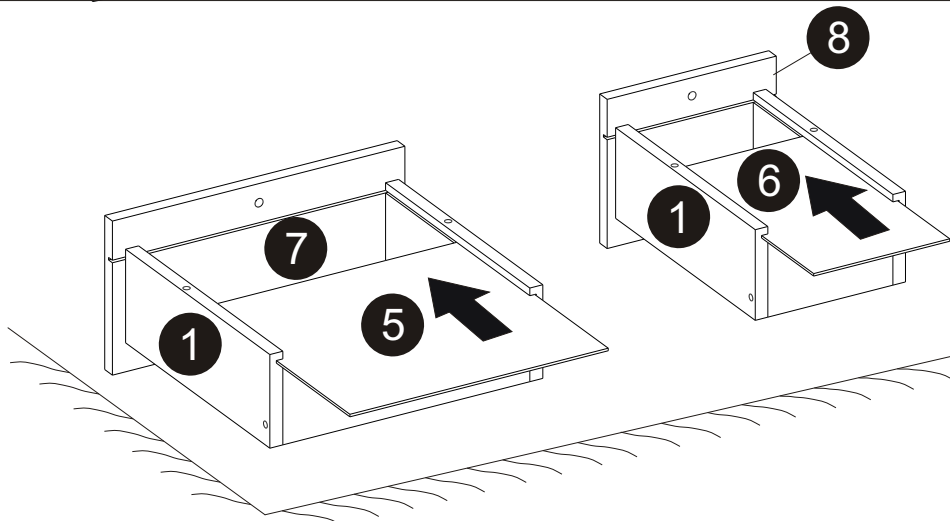
	KK1	x1		K1	X4		KSK1	x1
--	-----	----	--	----	----	--	------	----





05



06

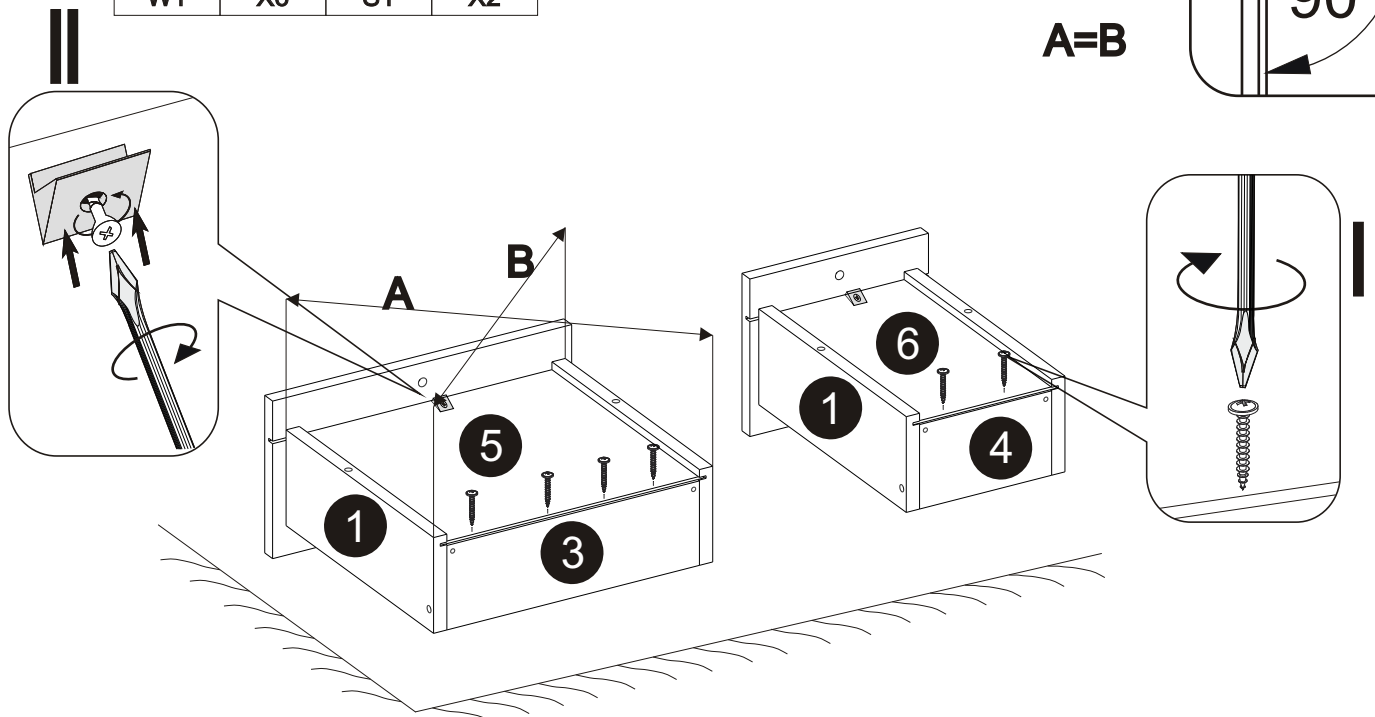


07

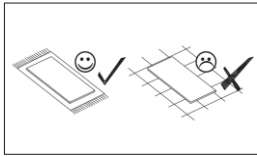
	3x16		
W1	X6	S1	X2



A=B



08



PQ3	X1

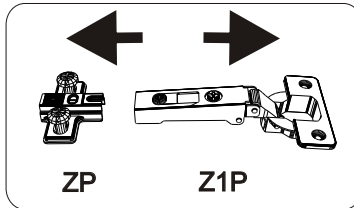
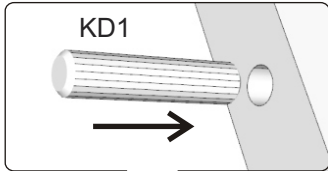
W11	X2

ZM1A	x2

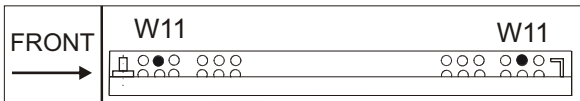
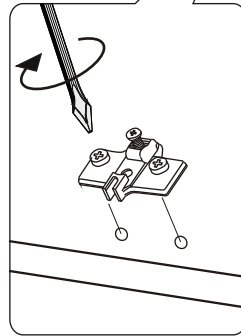
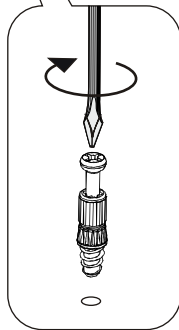
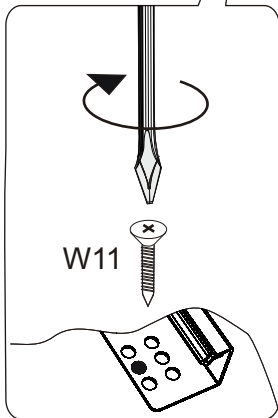
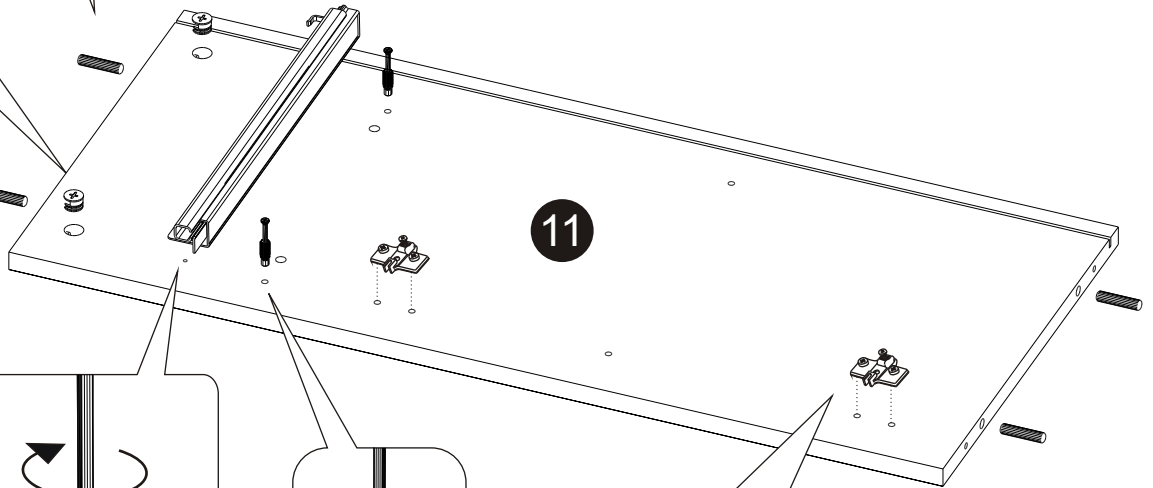
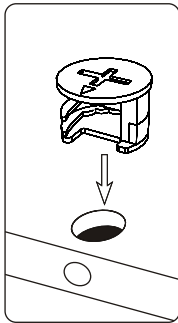
KD1	x4

ZM1B	X2

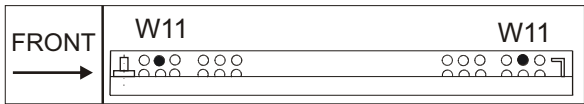
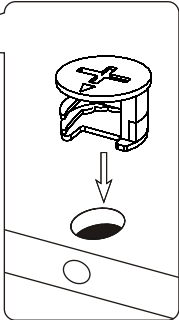
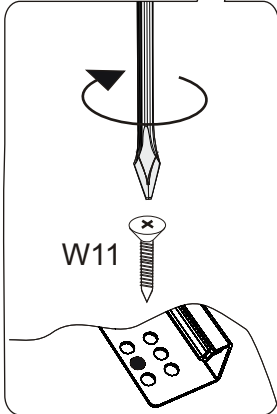
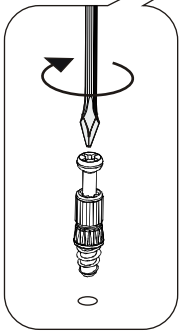
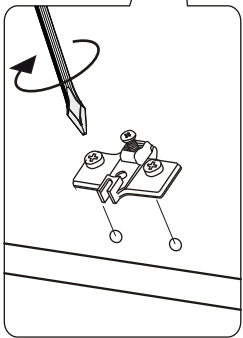
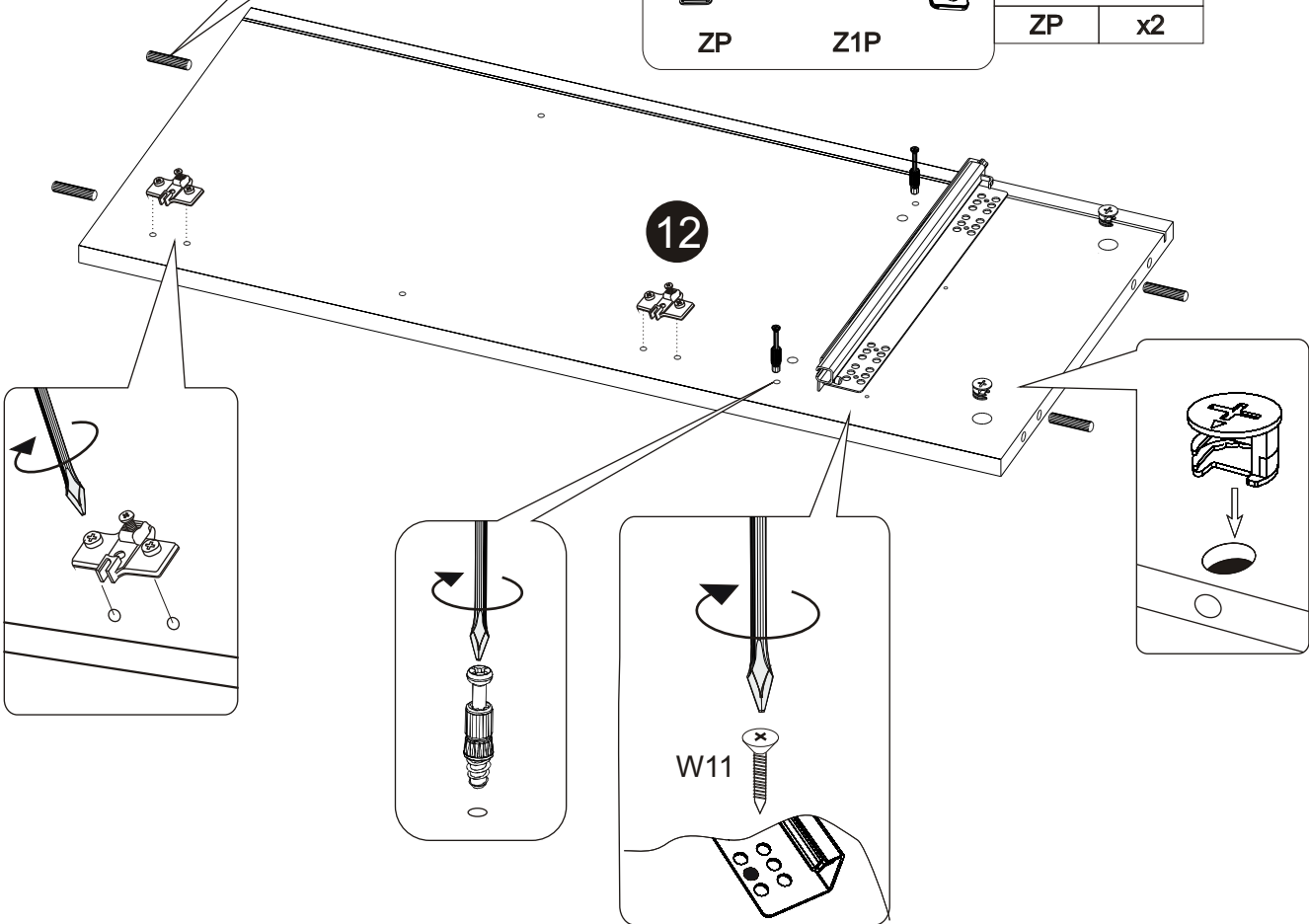
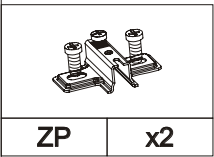
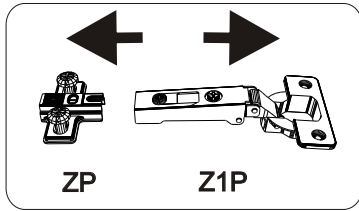
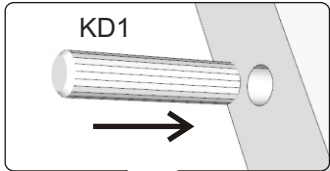
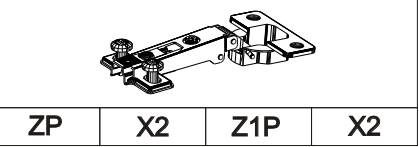
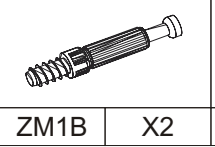
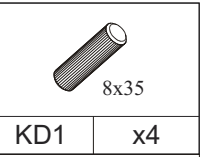
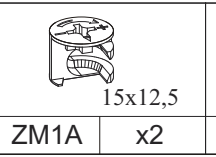
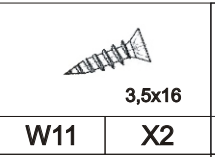
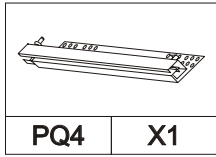
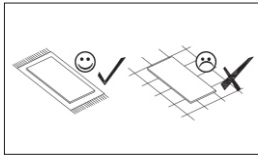
ZP	X2	Z1P	X2



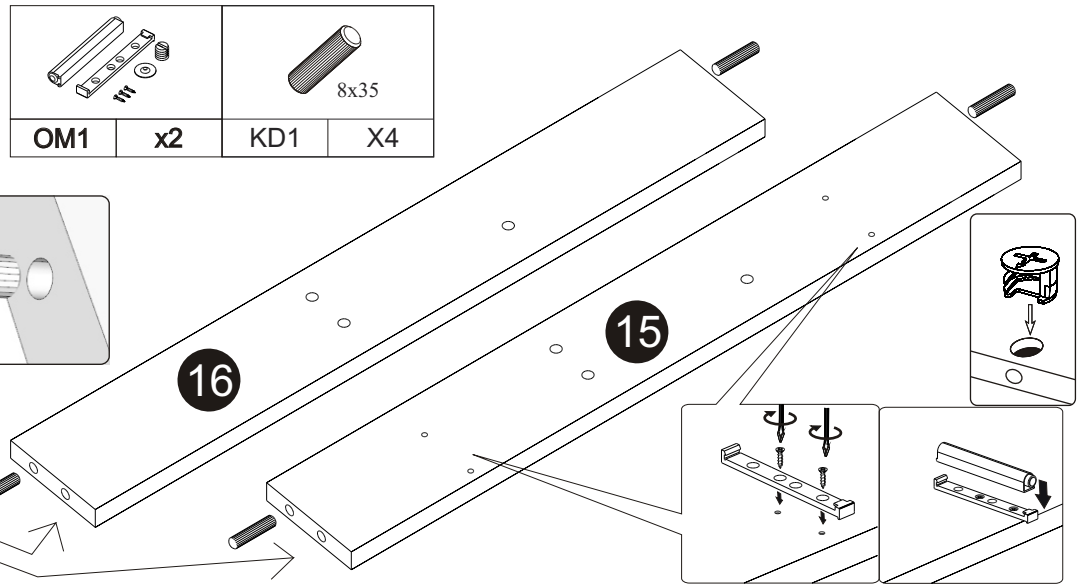
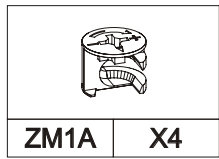
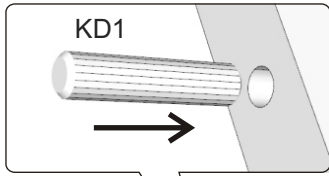
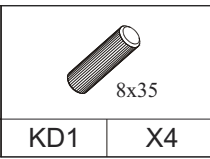
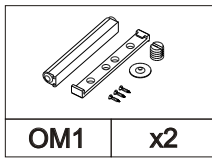
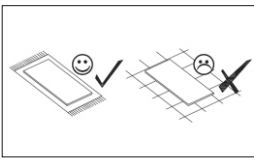
ZP	x2



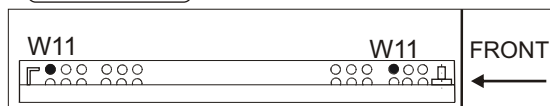
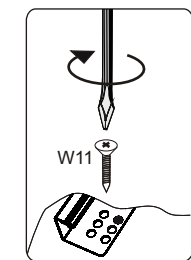
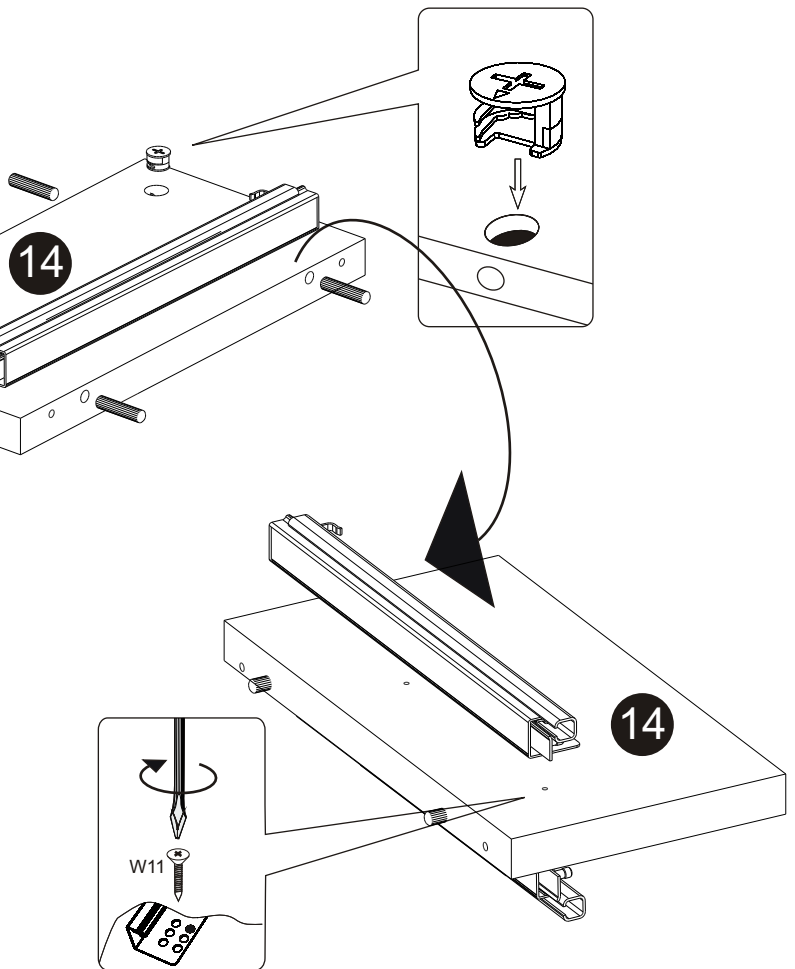
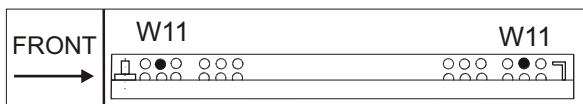
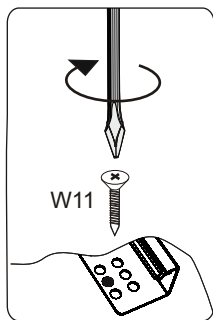
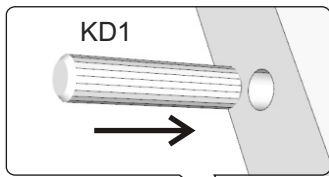
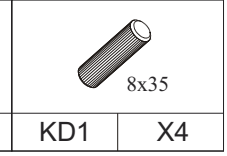
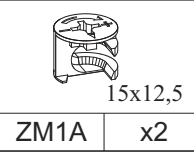
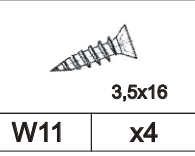
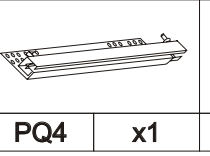
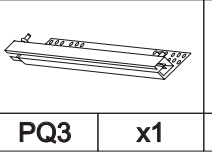
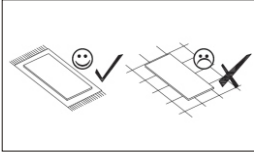
09



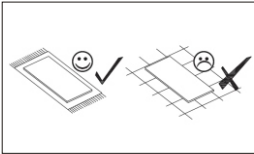
10



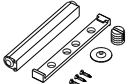


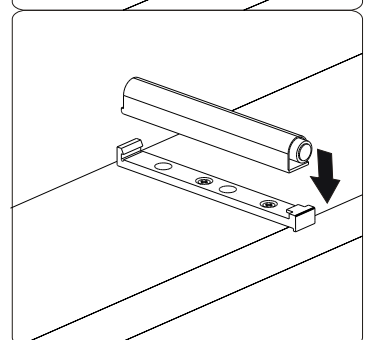
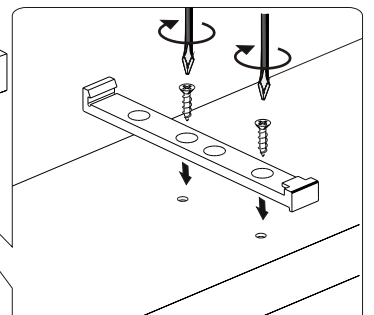
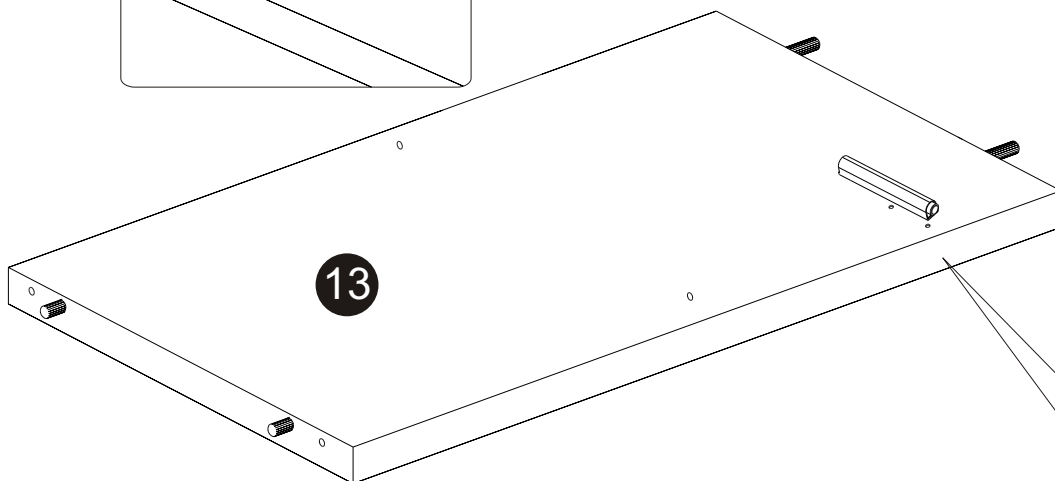
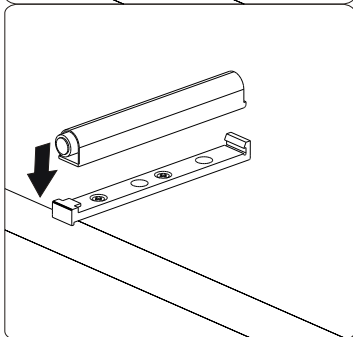
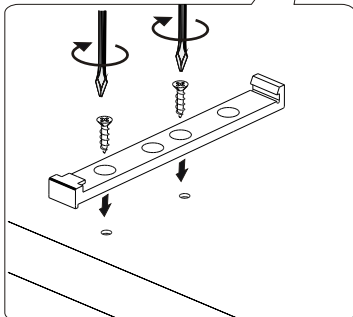
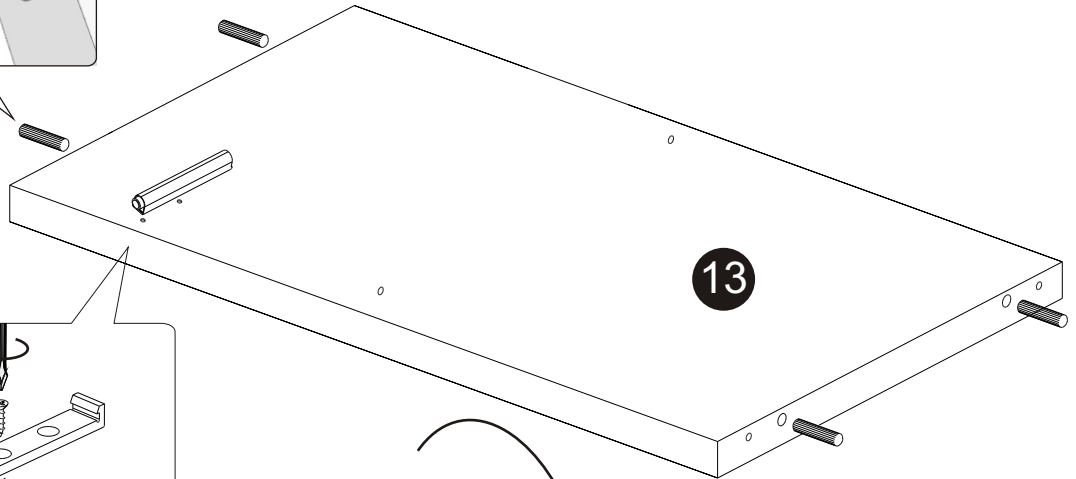
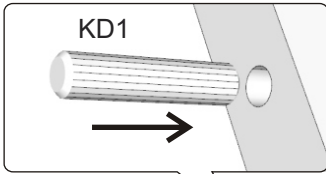
11



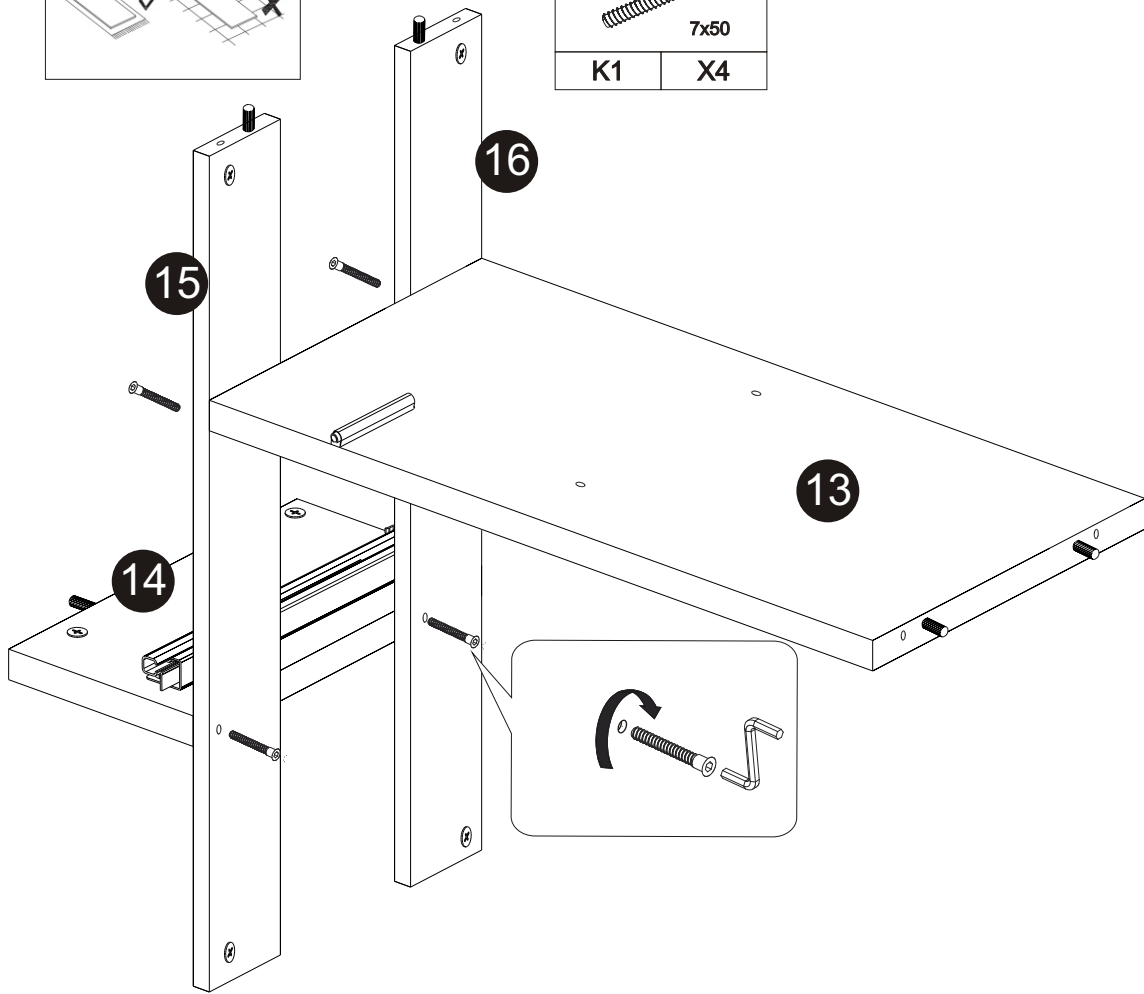
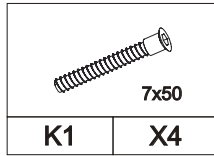
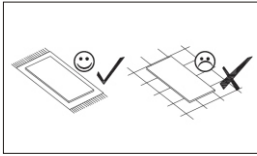
12



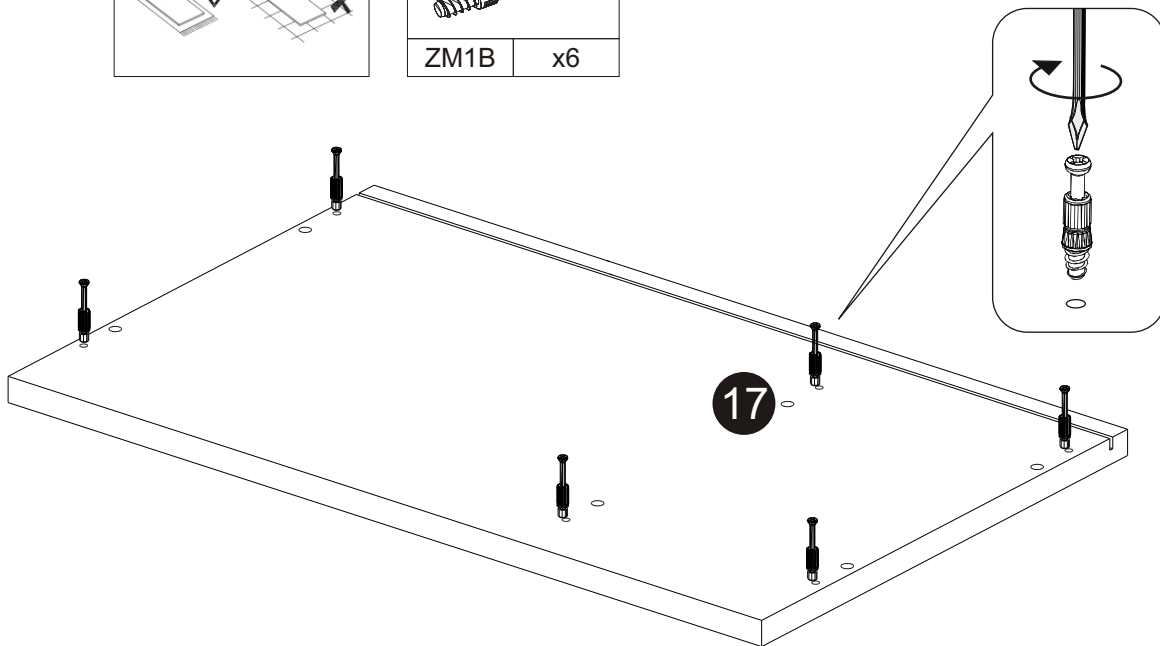
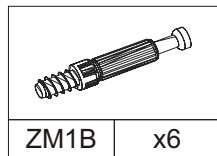
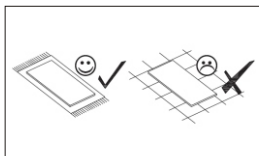
 KD1	 8x35 X4	 OM1	x2
--	---	--	----



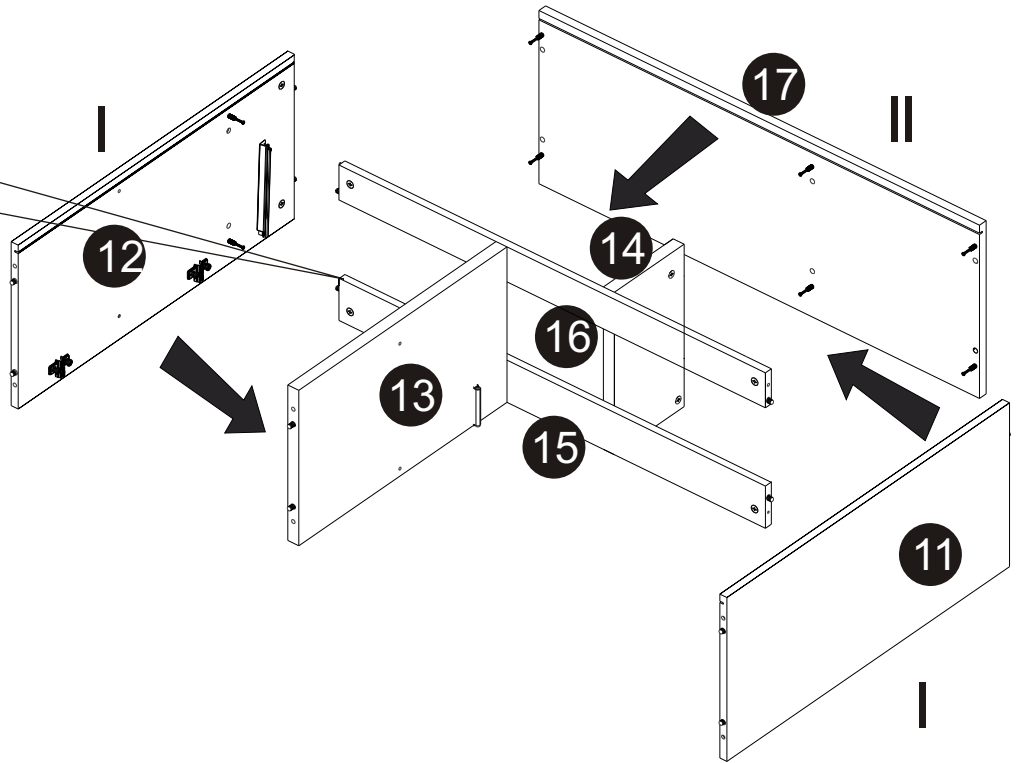
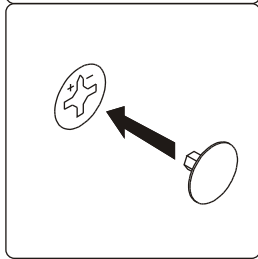
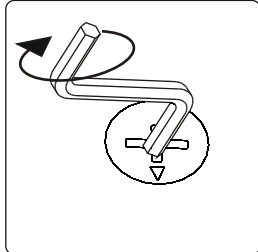
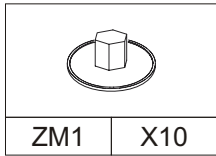
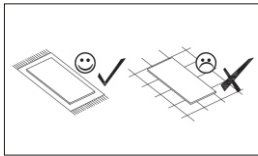
13



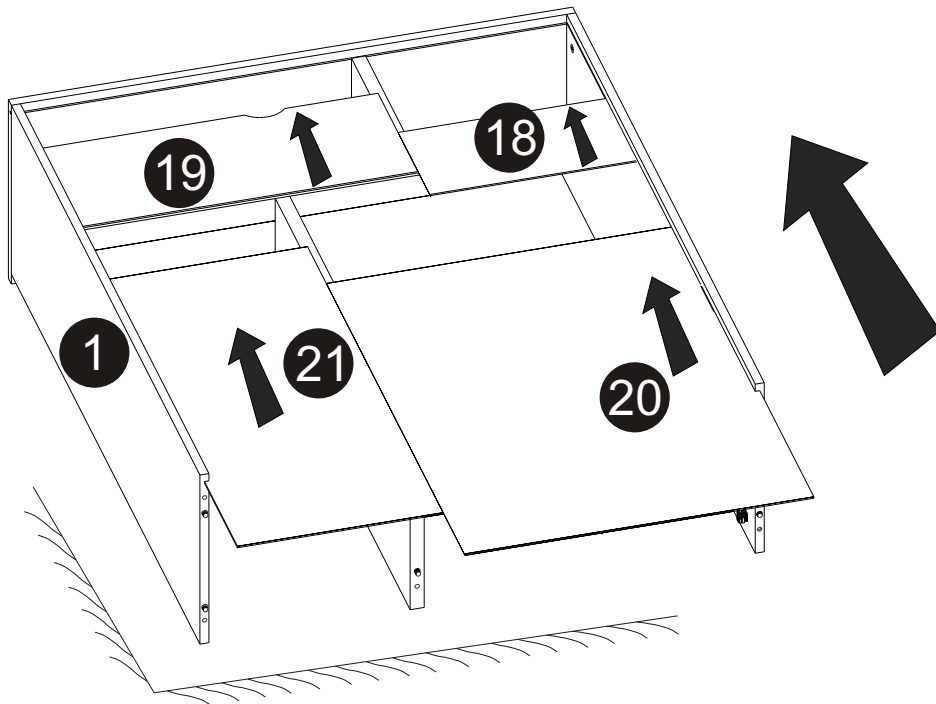
14





15

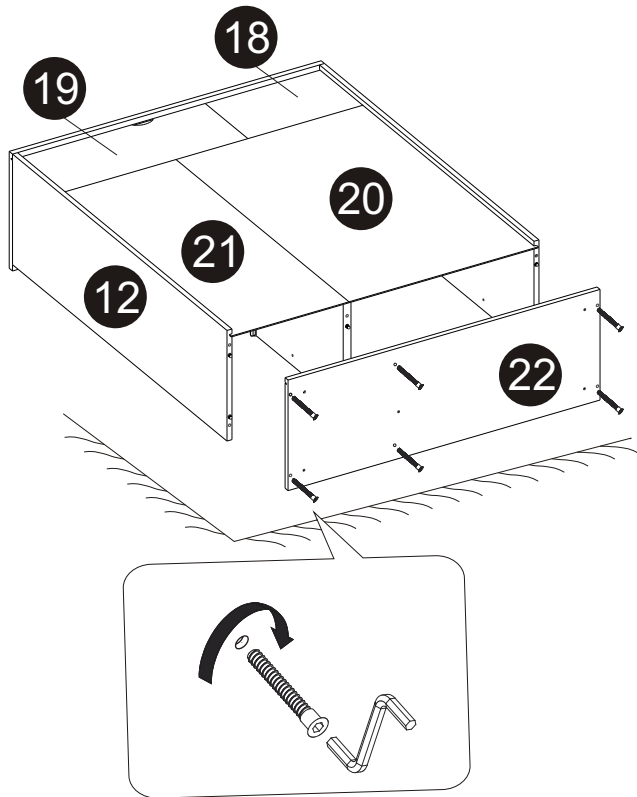


16





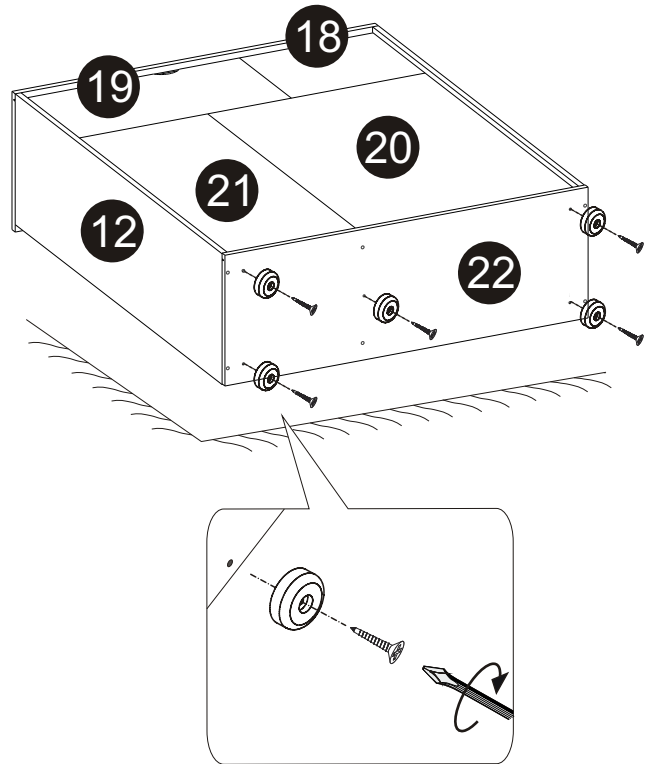
17

			7x50
KK1	x1	K1	x6



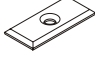


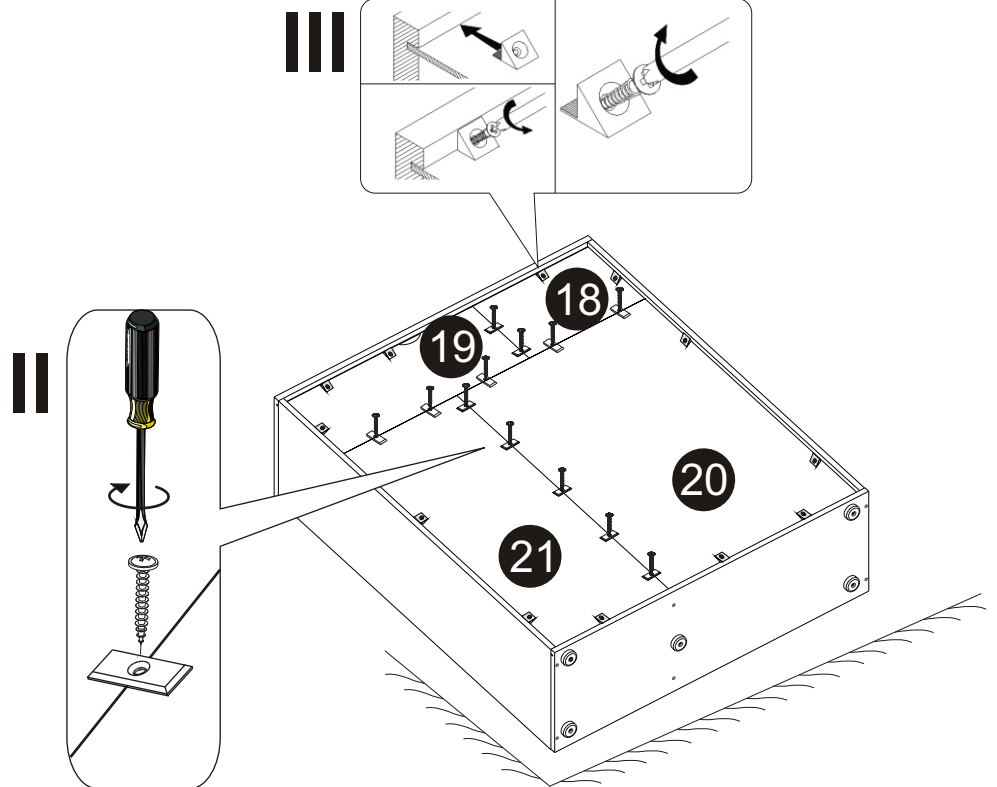
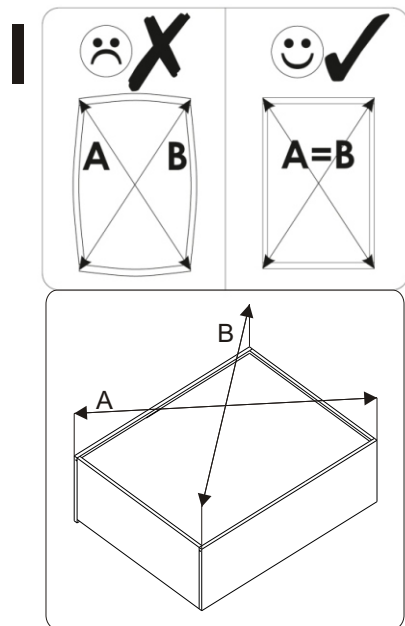
18

			4x20
SS4	x5	W1	x5

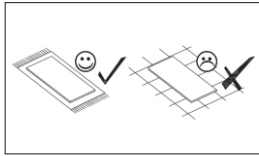


19

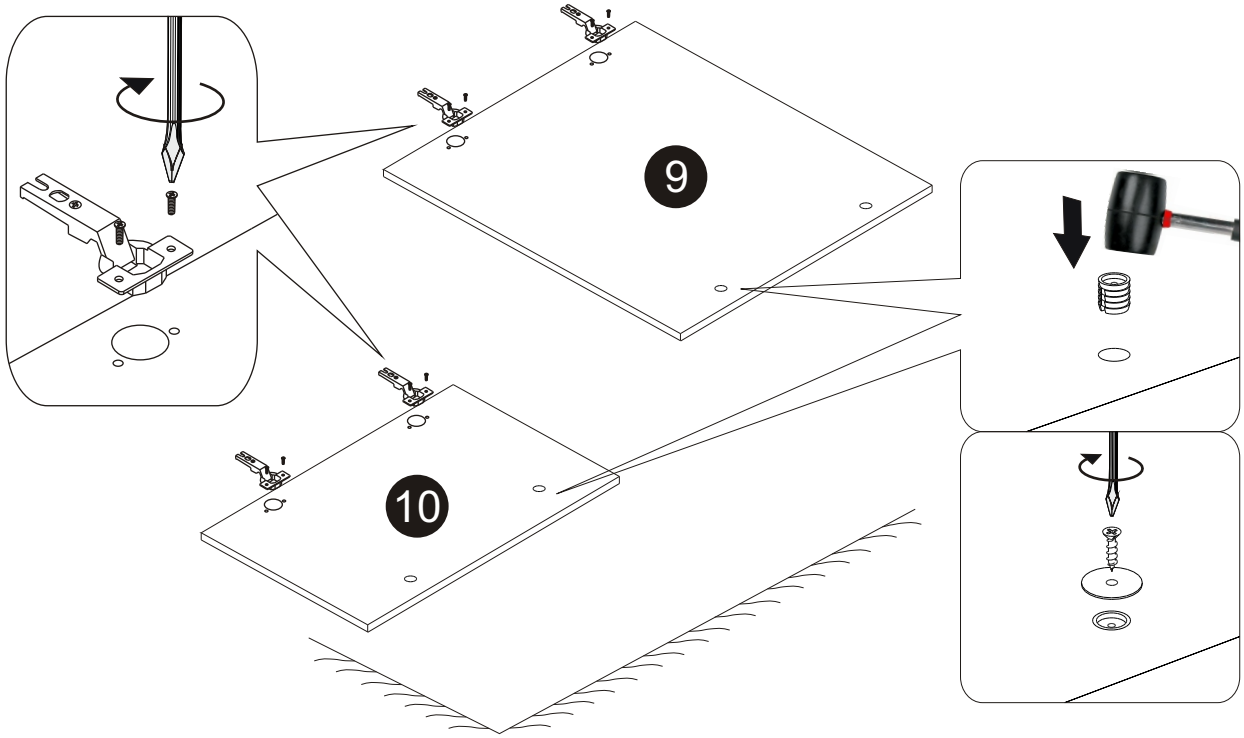
			3x16		
S1	X12	W1	X12	PL1	X12



20

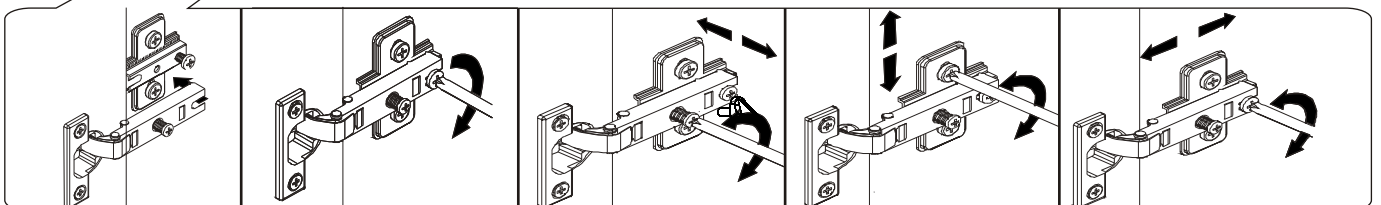
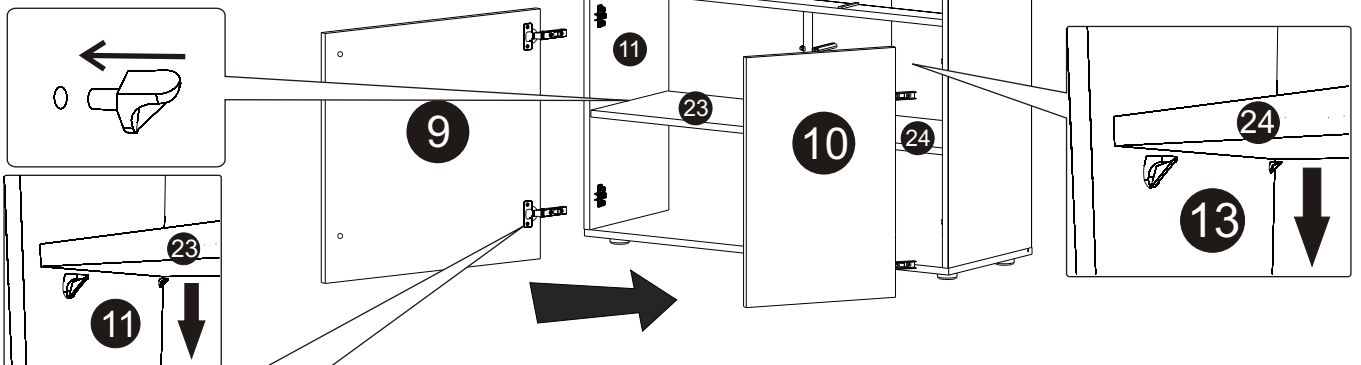


	x4		4x13 x8		x2
--	----	--	------------	--	----

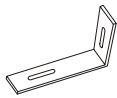




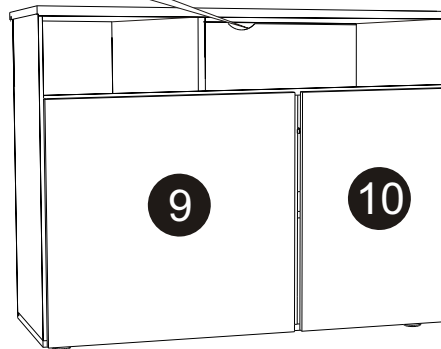
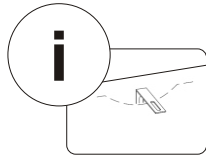
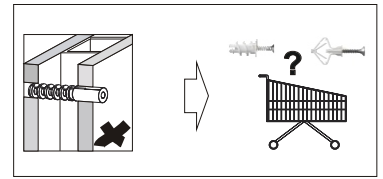
21

	X8
--	----

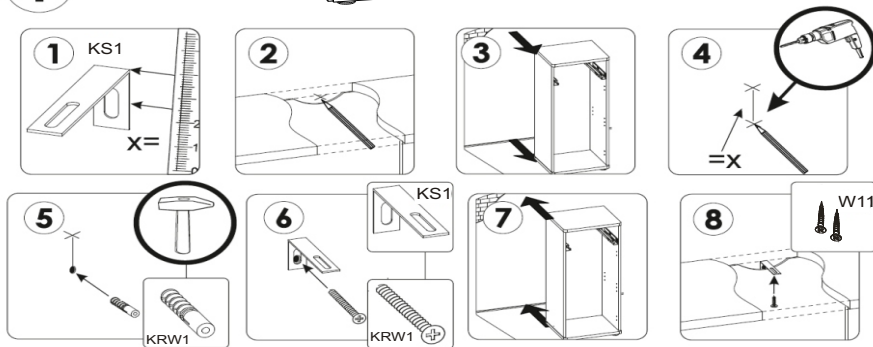


22

					
KS1	x1	W11	x2	KRW1	x1



i



23

