


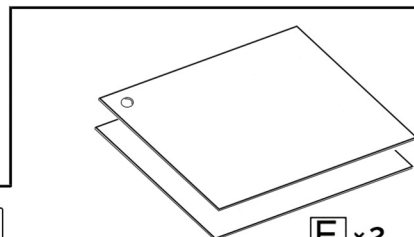
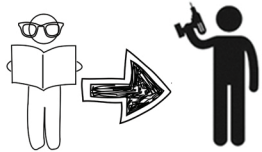
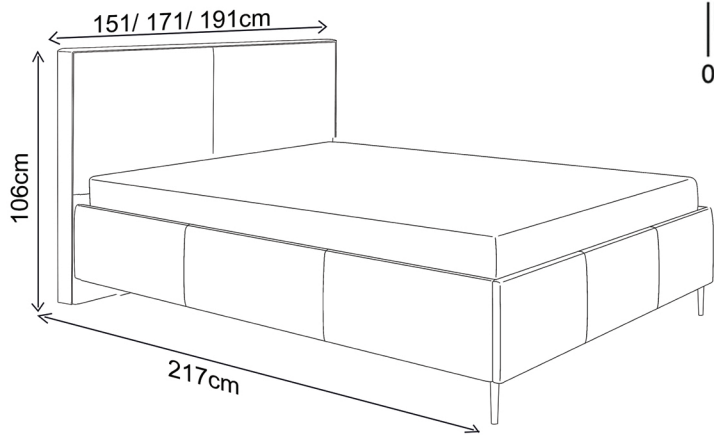
HATTON

90min




10mm / 13mm


Art. Nr.: 02980159



E x 2

B x 1

F x 2 (L;R)

A x 1

C₁ x 1

X x 2

Z₂ x 2

D x 1

G x 1

C₂ x 1

H x 3

J x 3

I x 1

K x 1

W x 2

L x 2

M x 2

N x 2

O x 14

P x 7

R x 32

S x 1

T x 20

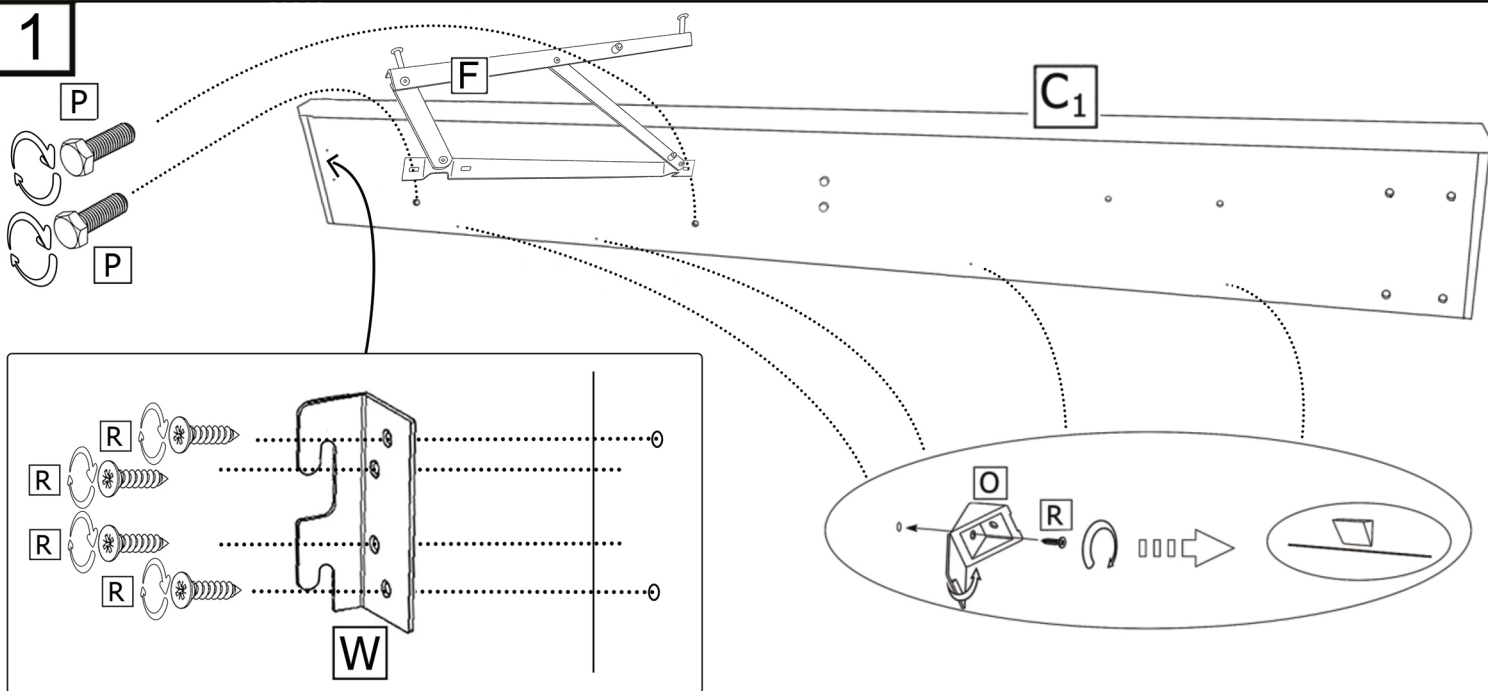
U x 6

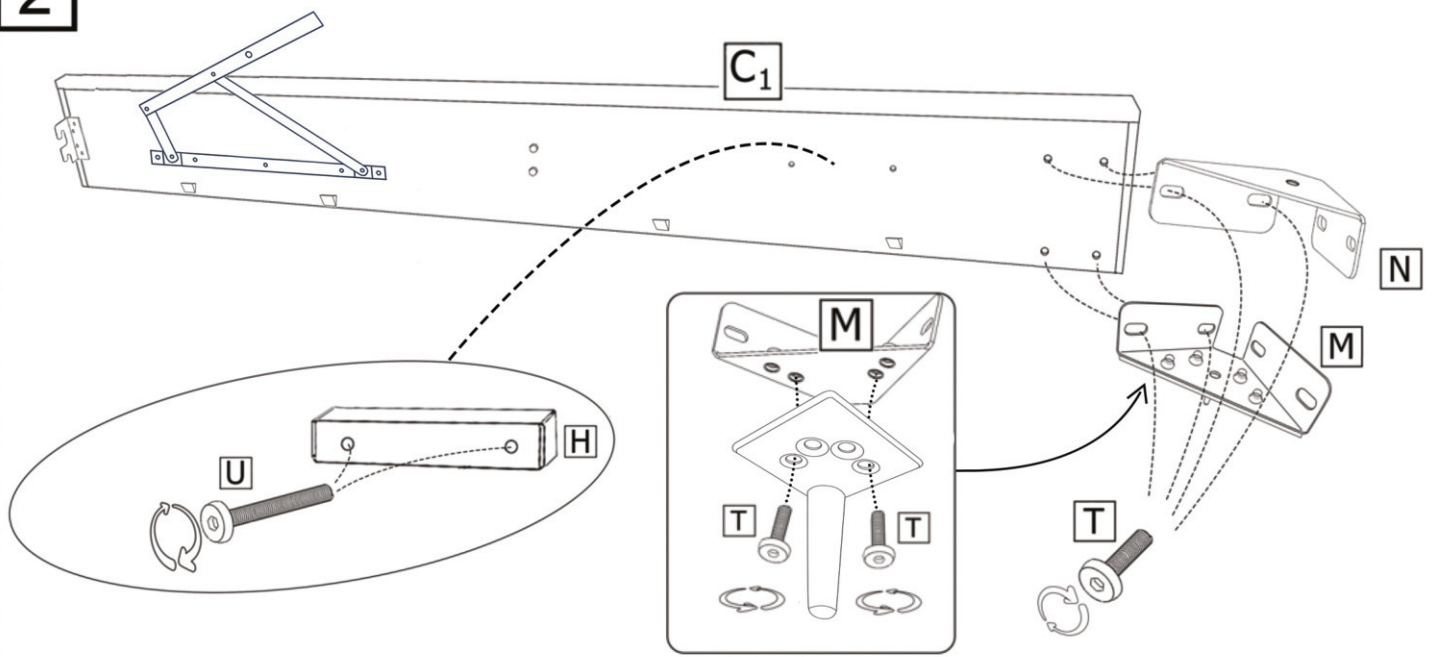
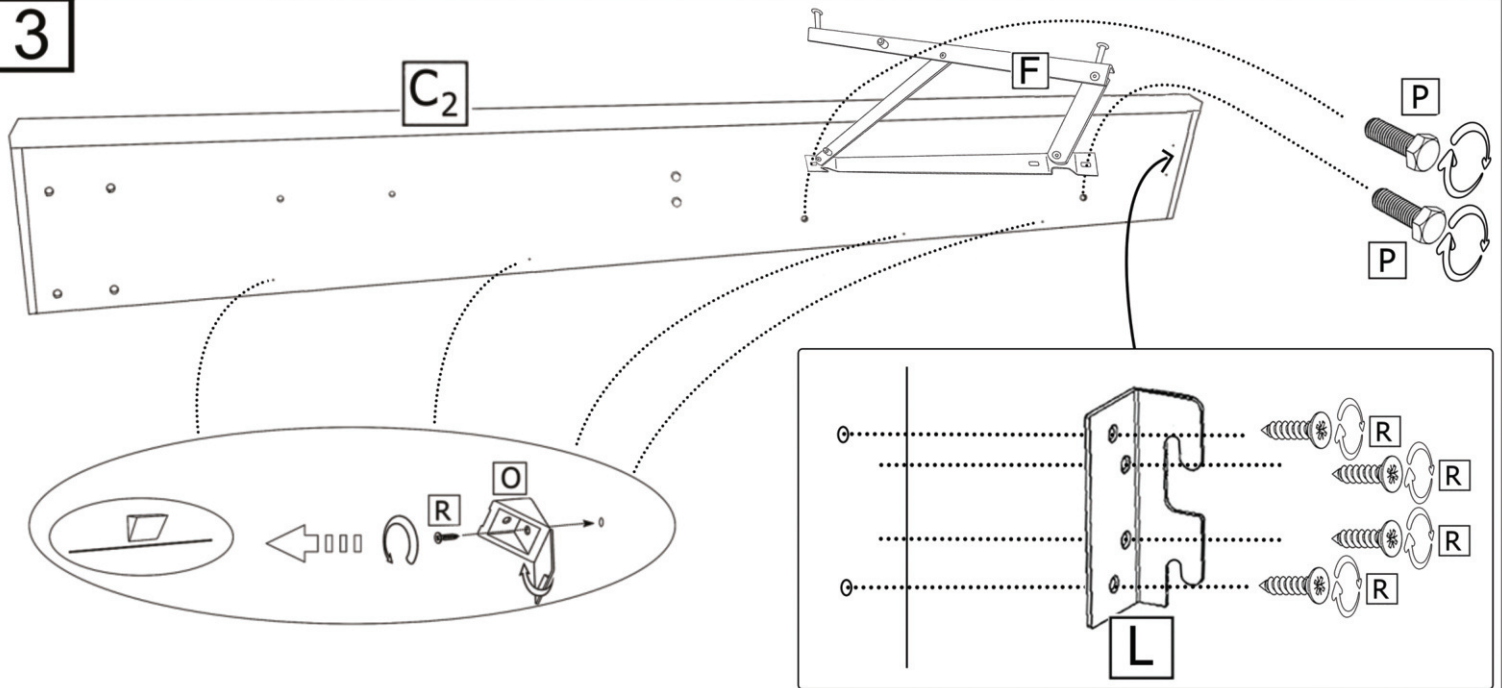
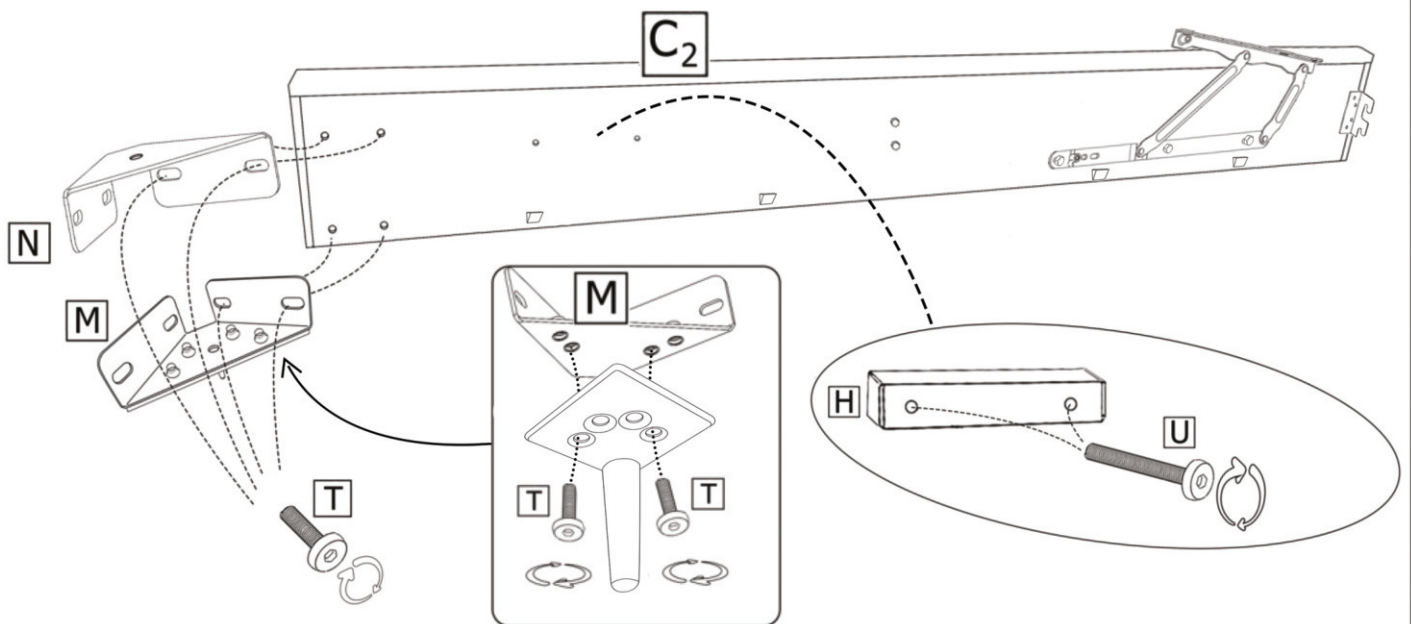
M8x20

ø8x20

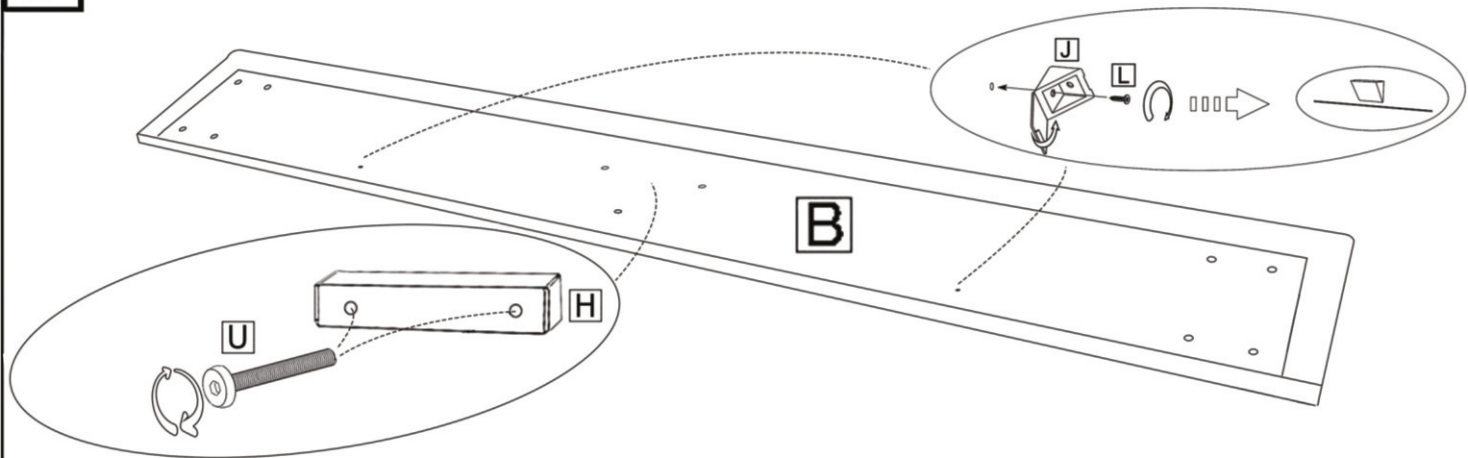
ø6x65

1

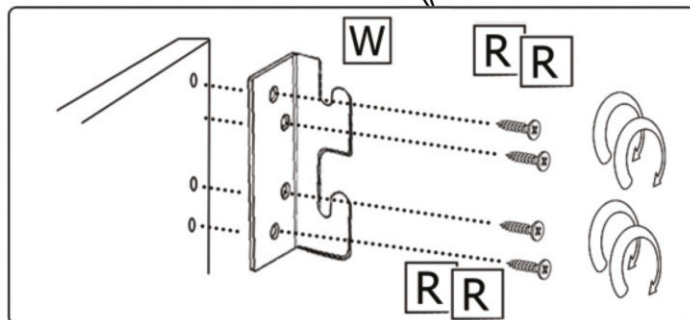
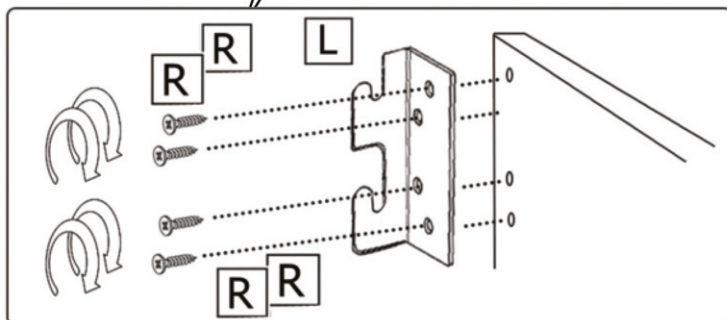
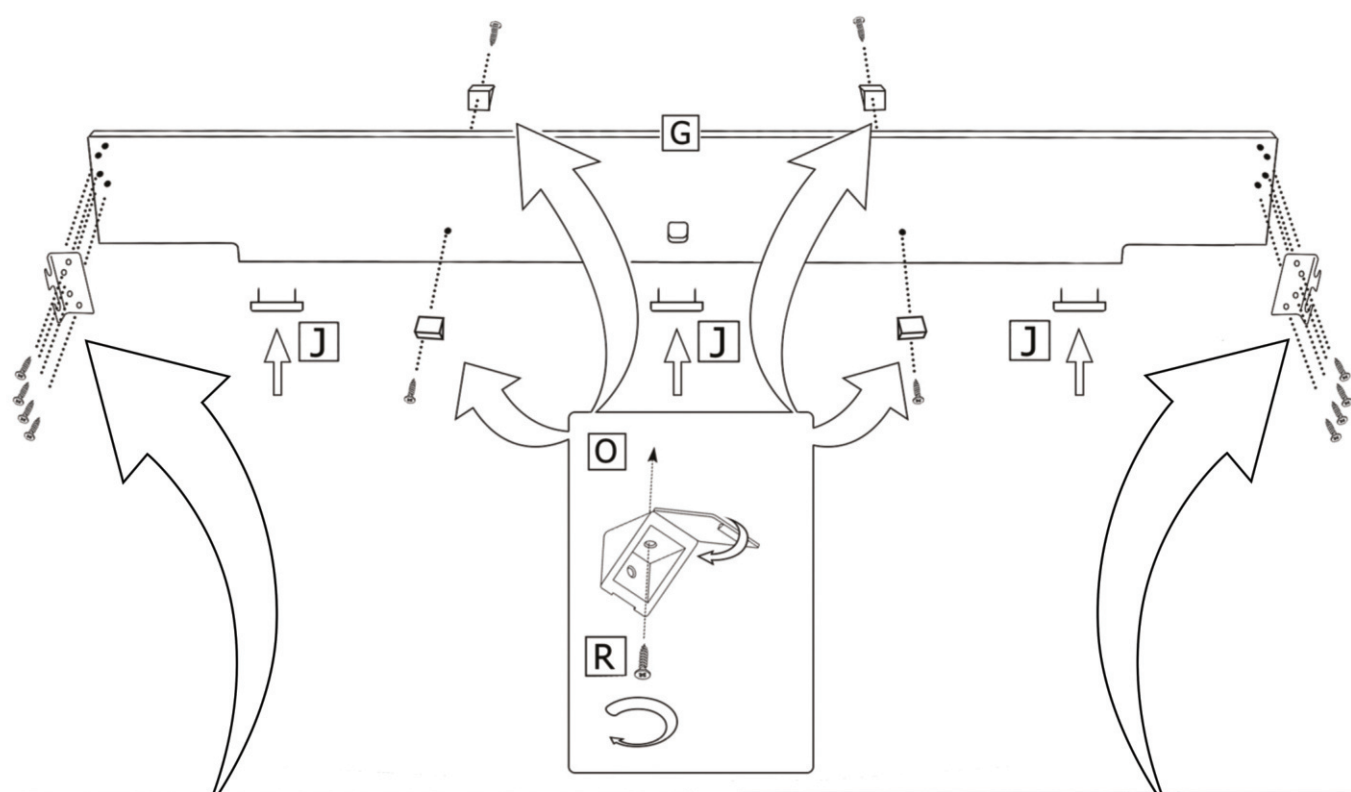


2**3****4**

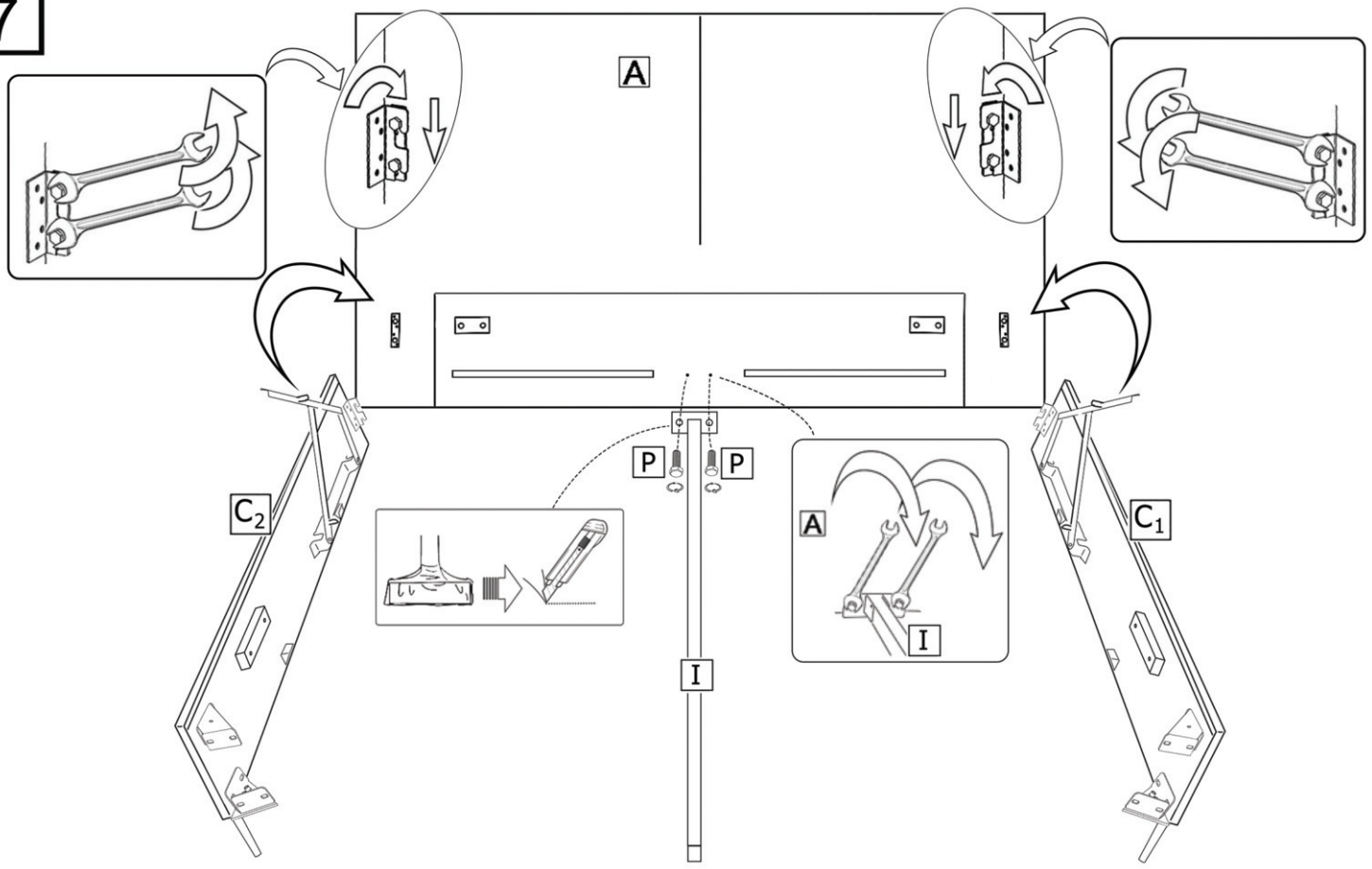
5



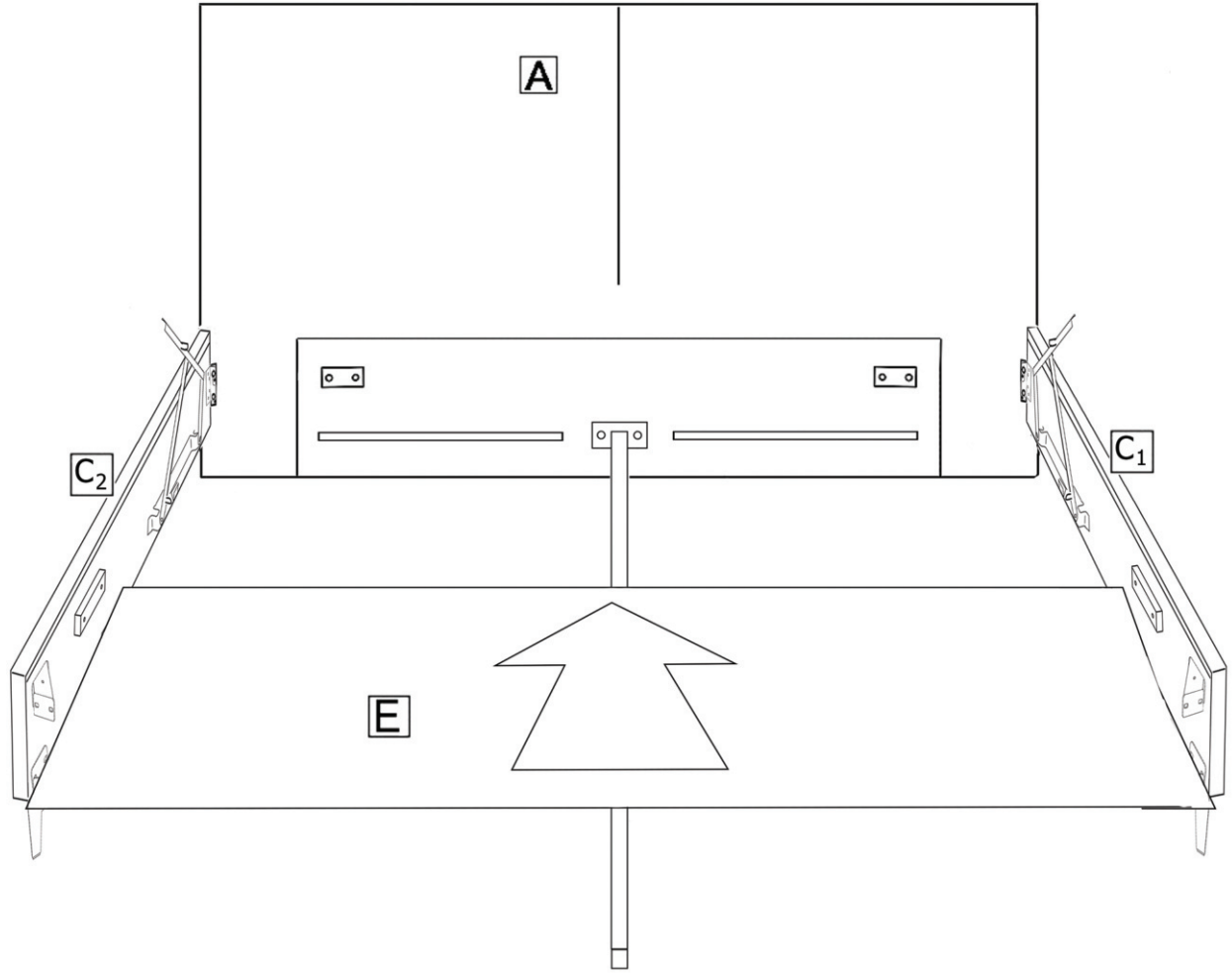
6



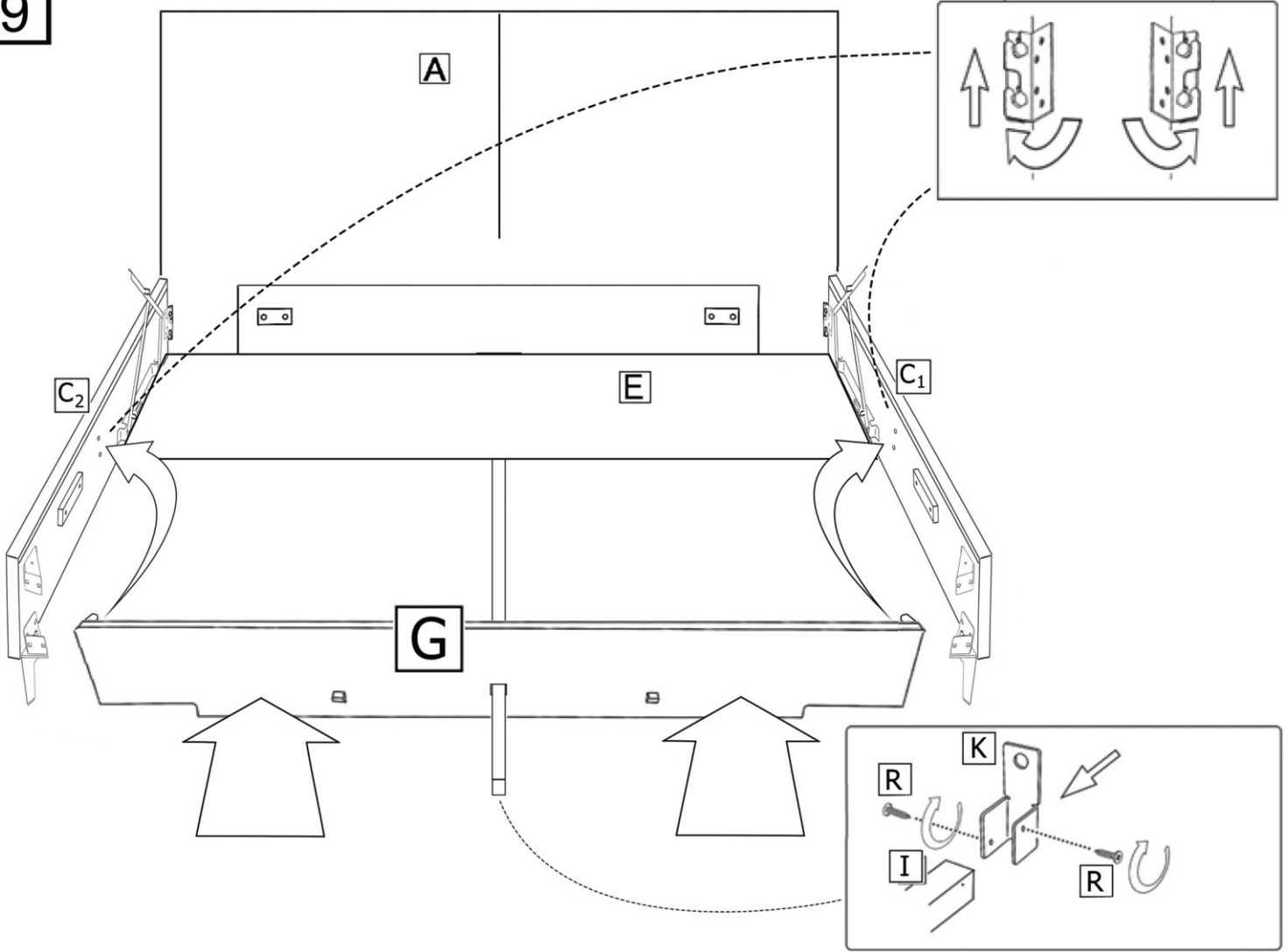
7



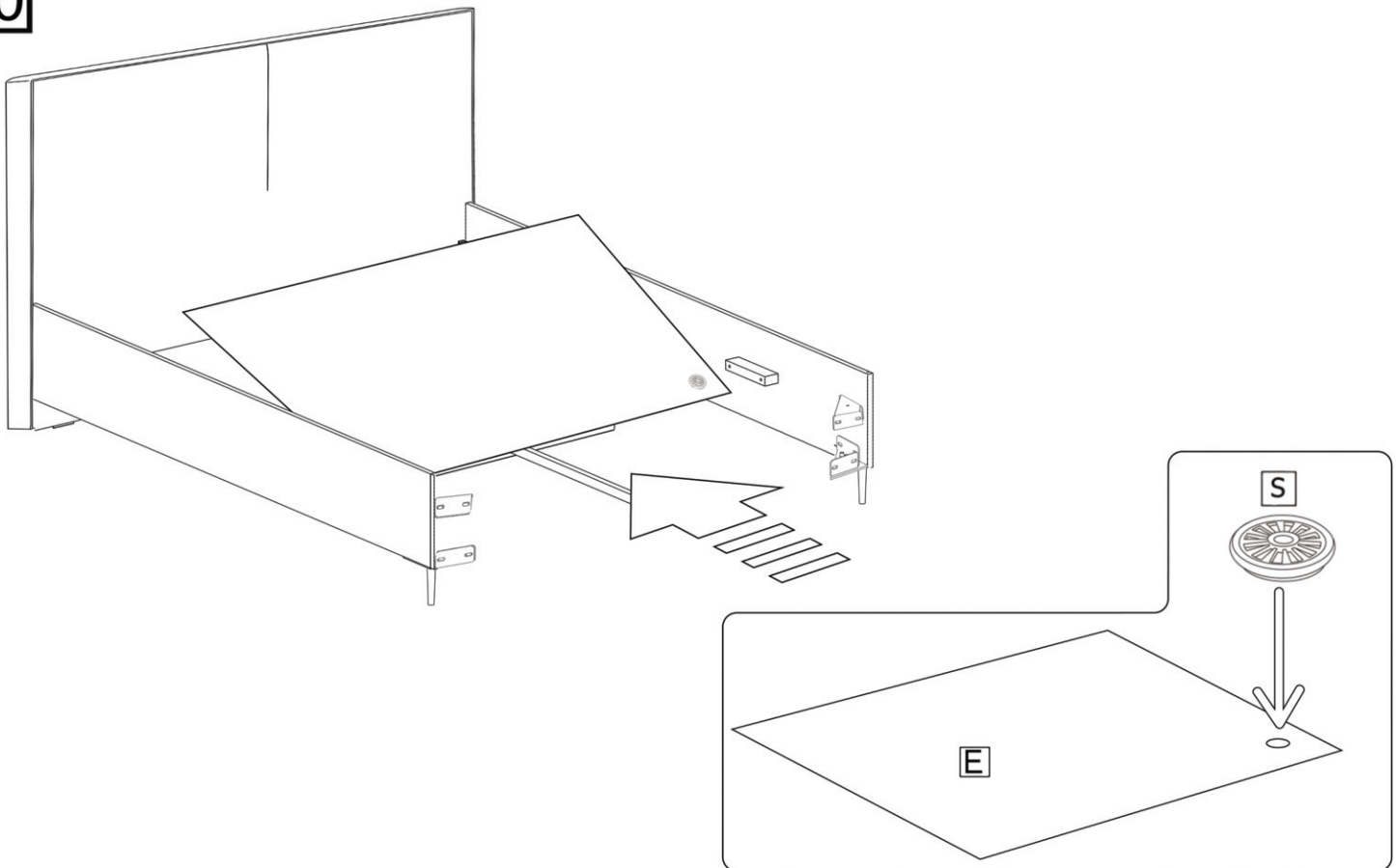
8



9



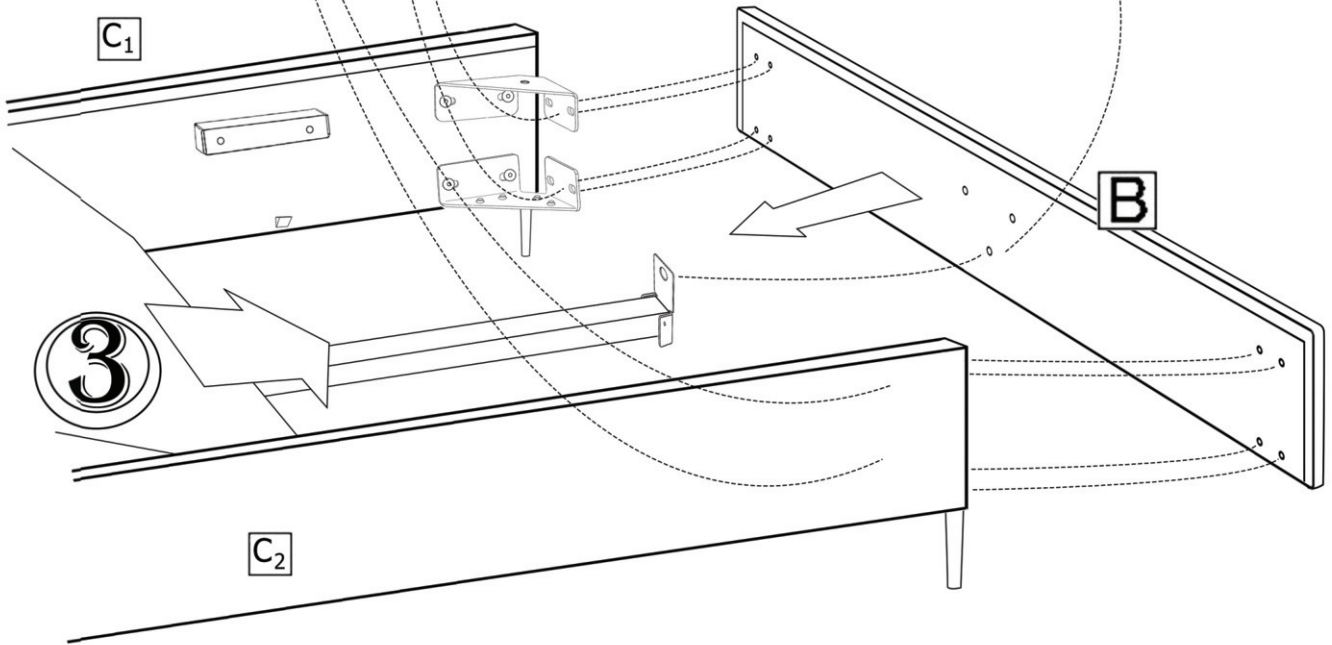
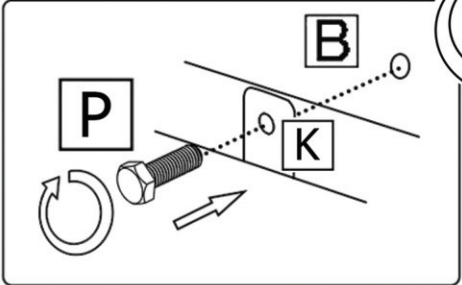
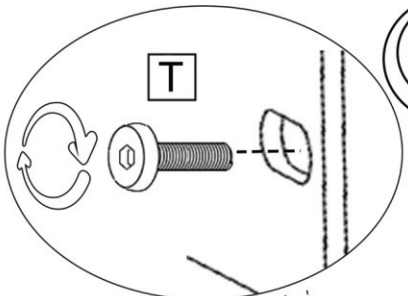
10



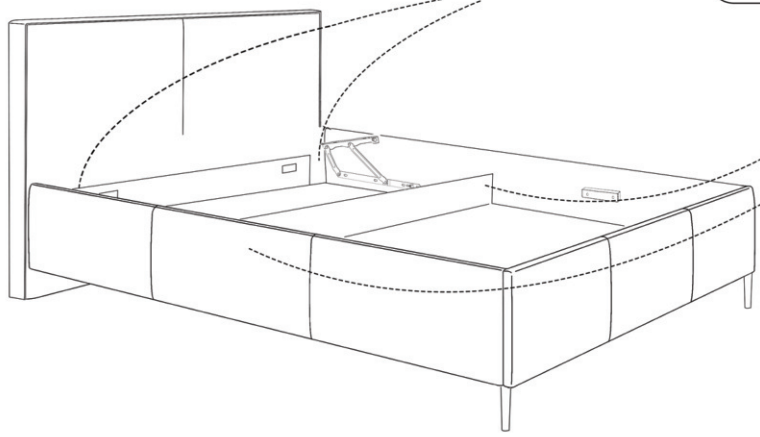
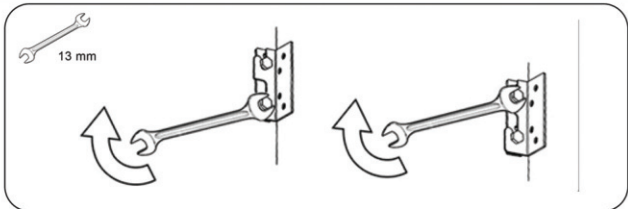
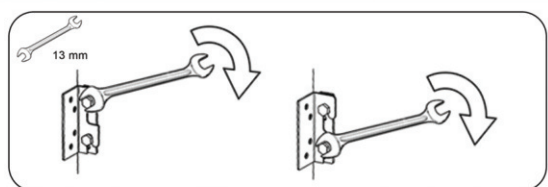
11

1

2

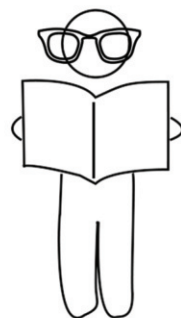
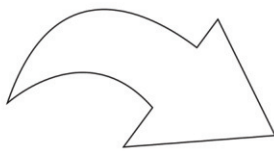
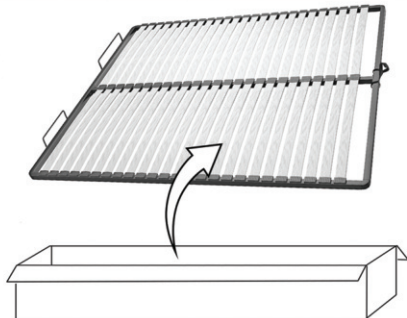


12

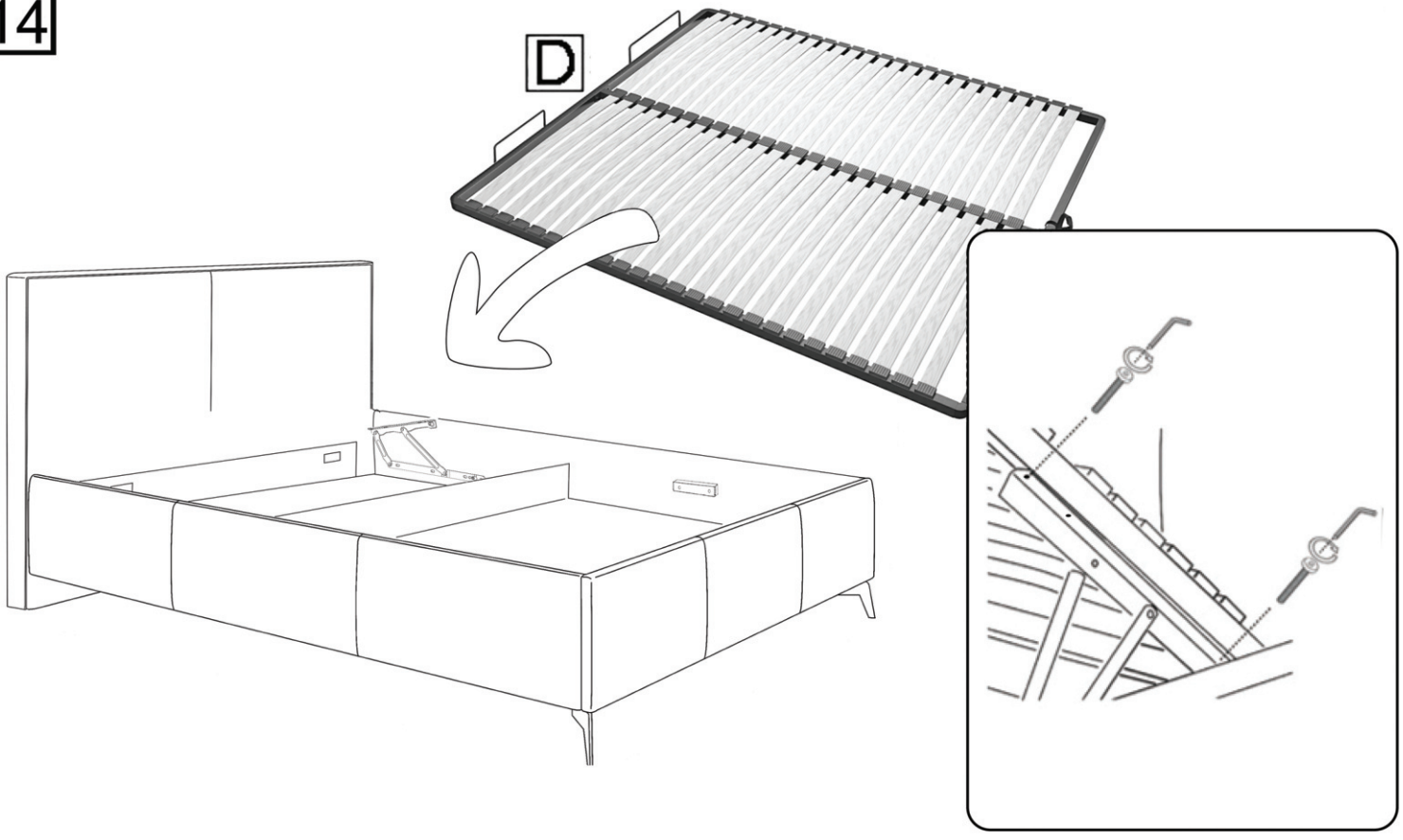


13

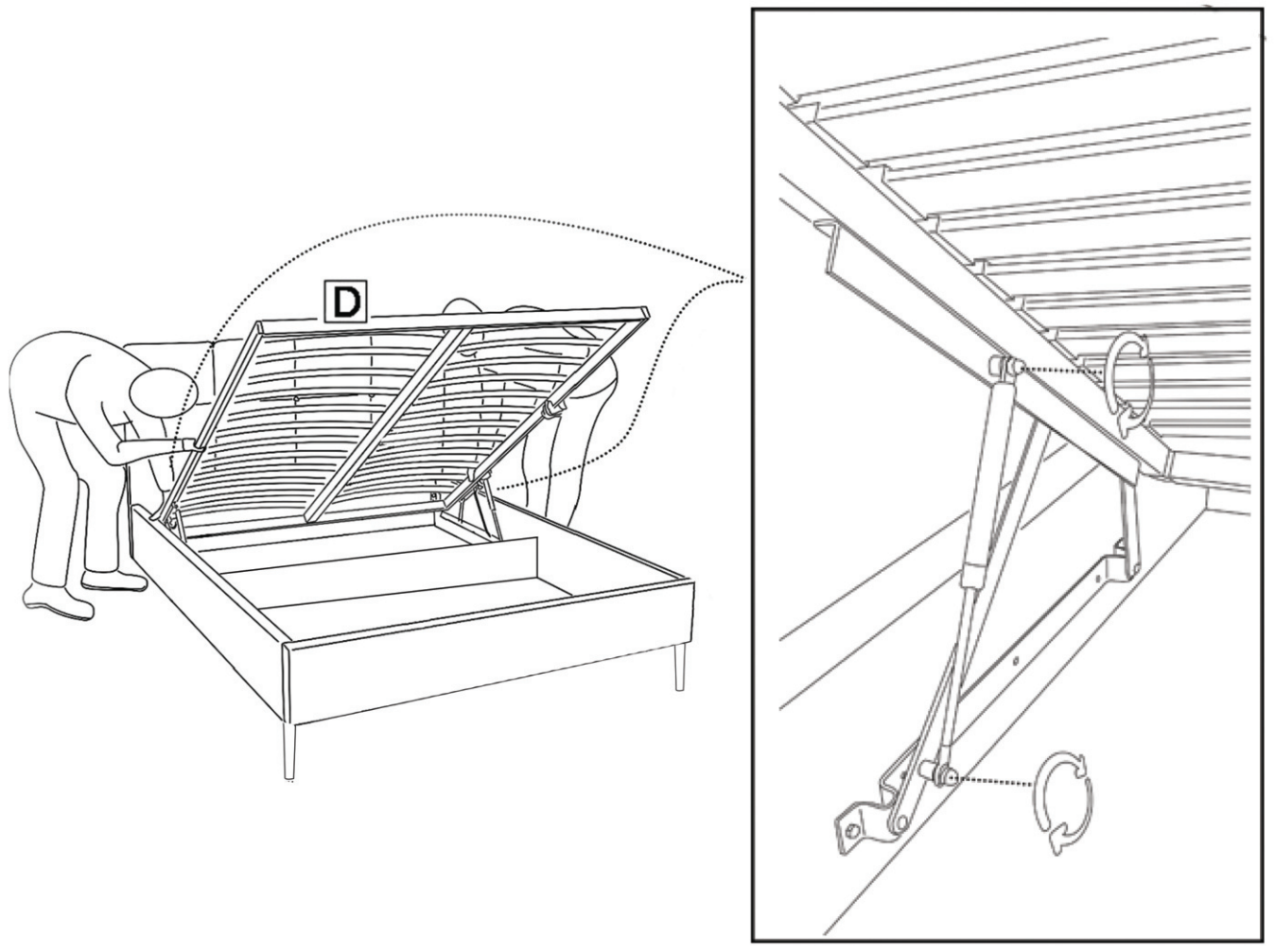
D



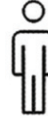
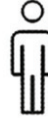
14



15





 +  = max 200kg

