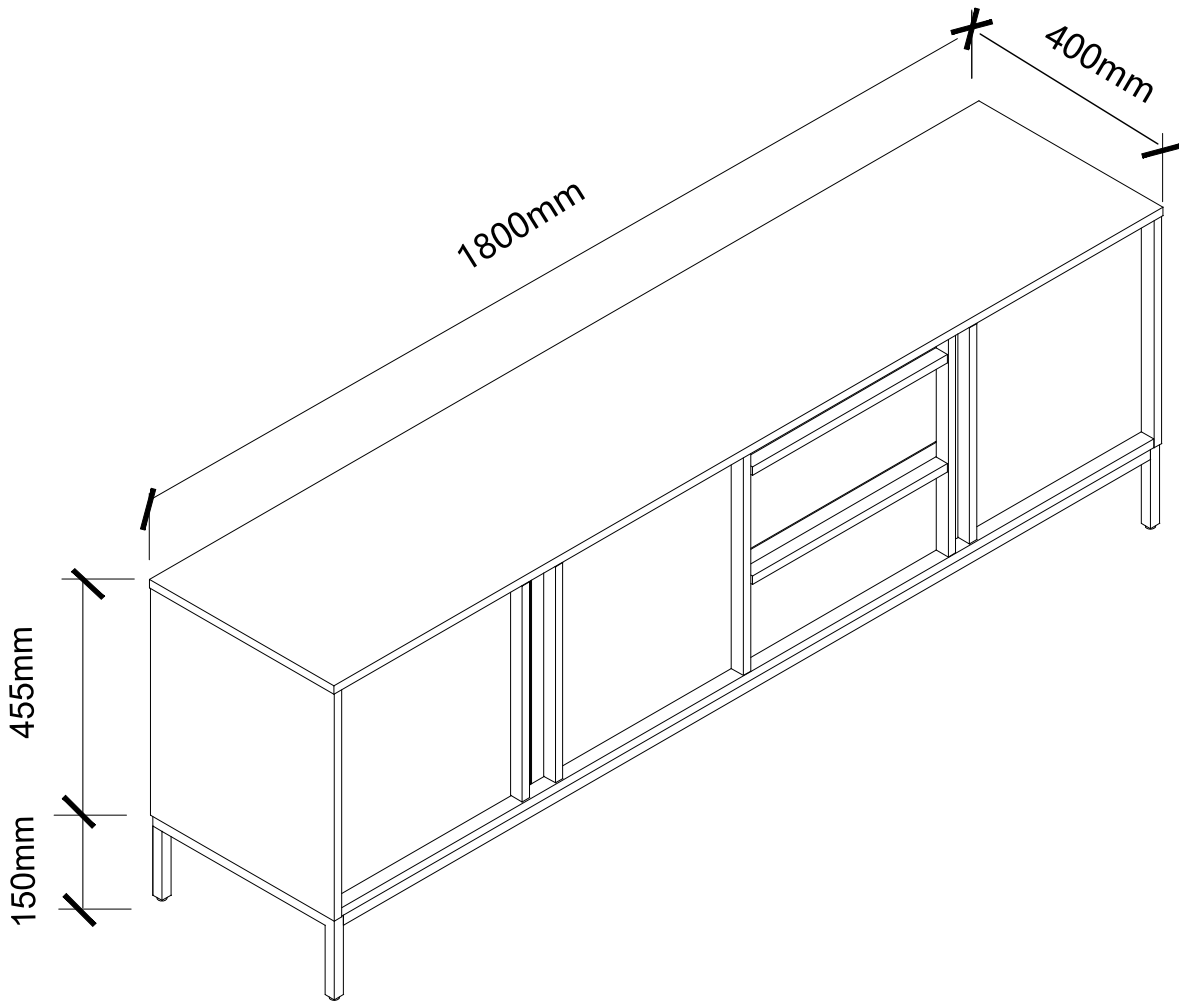
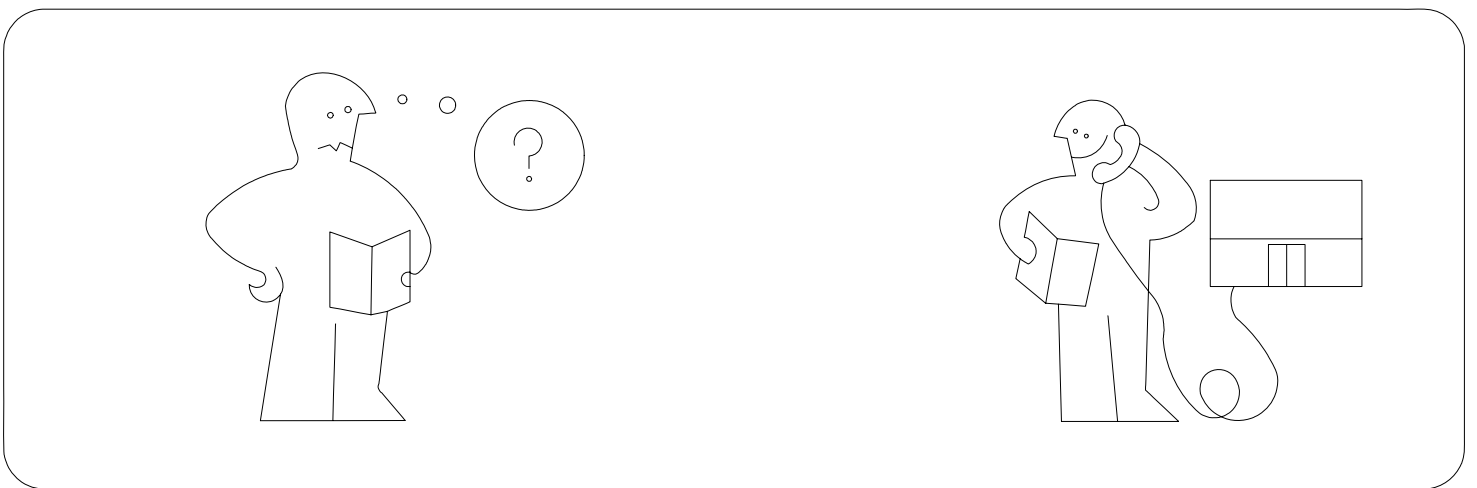
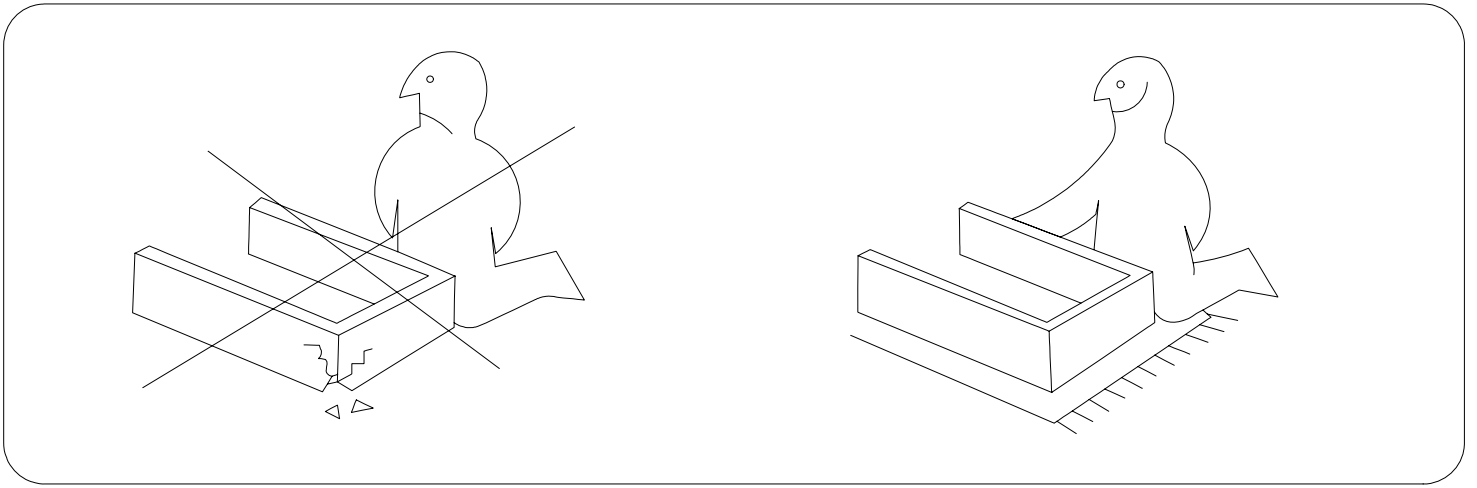
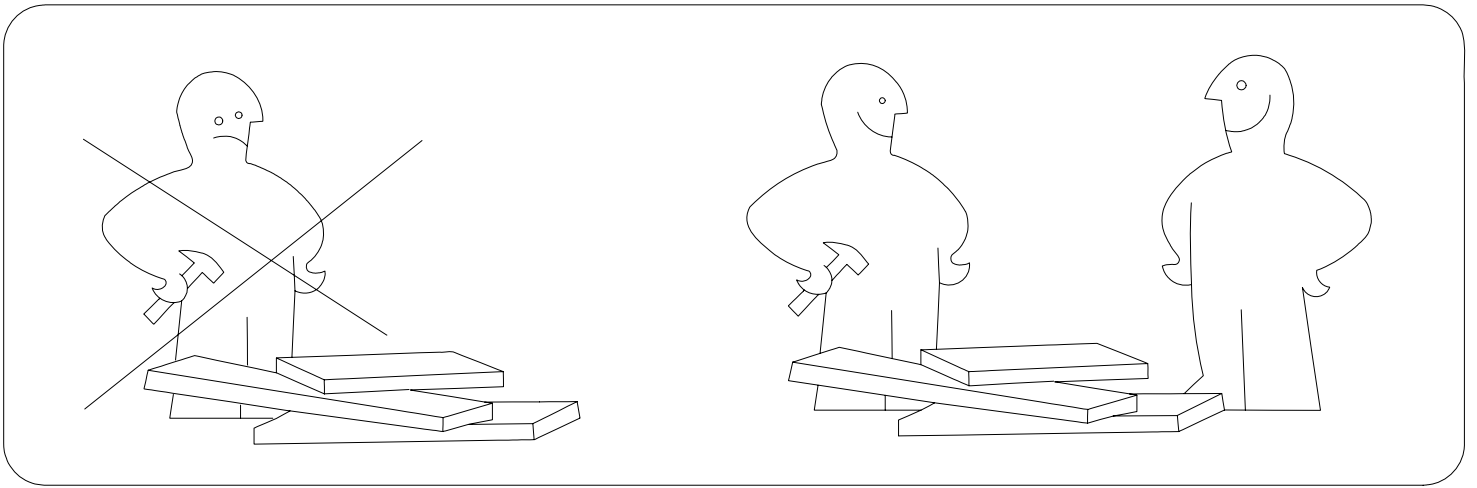
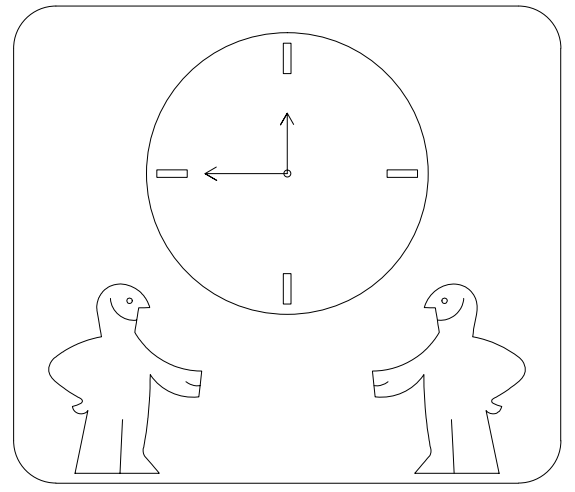
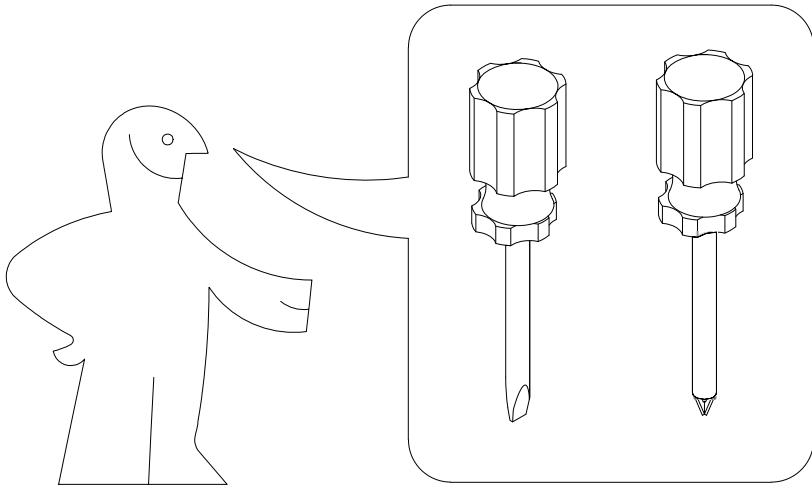
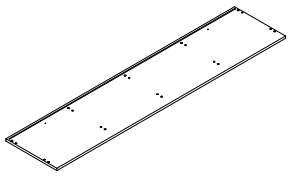
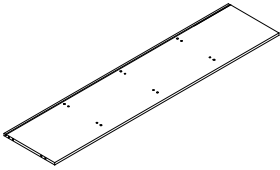
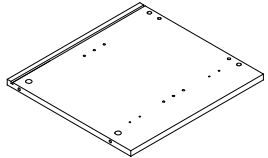
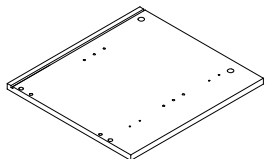
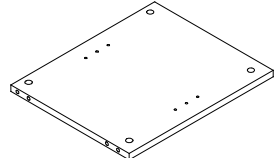
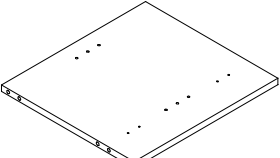
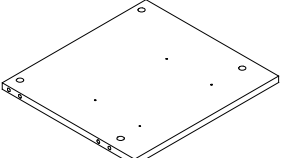
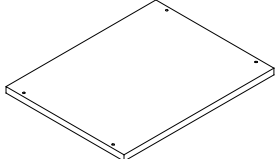
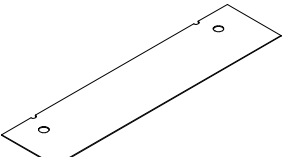
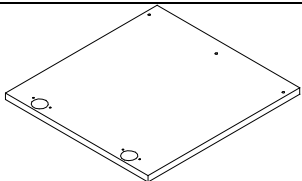


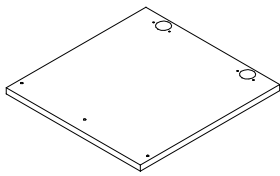
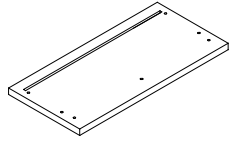
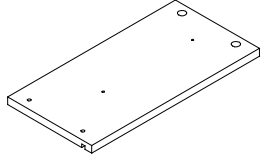
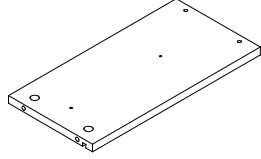
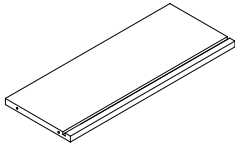
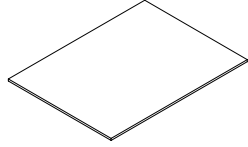
24790001/03  
24790001/13

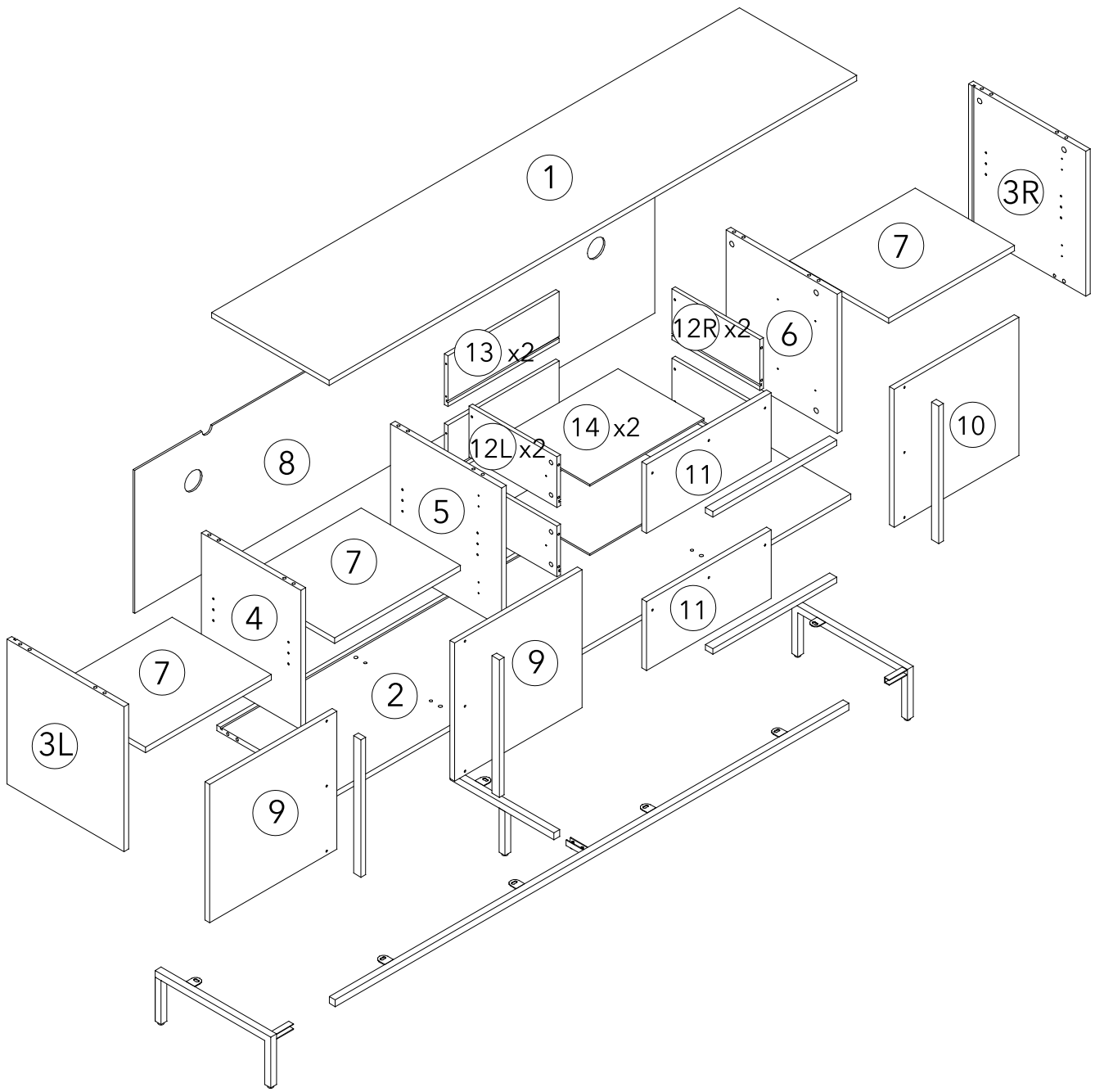
XXXLUTZ KG  
Roemerstrasse 39  
AT-4600 Wels, Austria  
E-Mail: info@xxxlutz.at

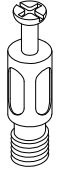


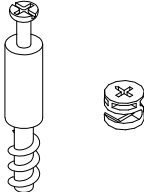
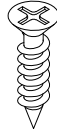
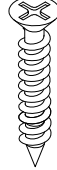
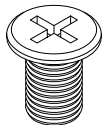
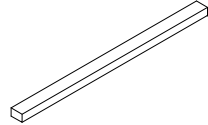
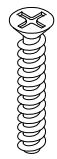
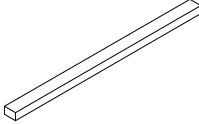
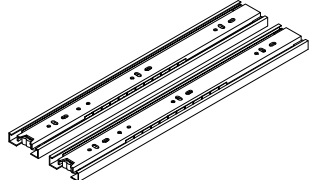
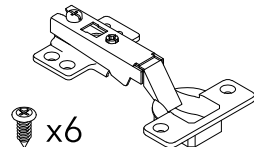
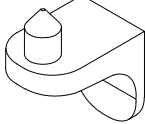
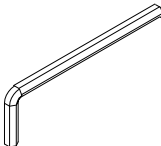
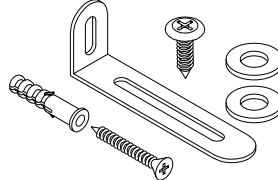
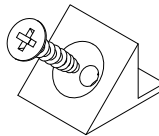
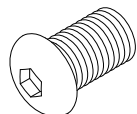
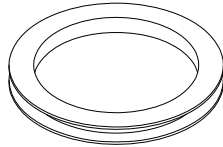



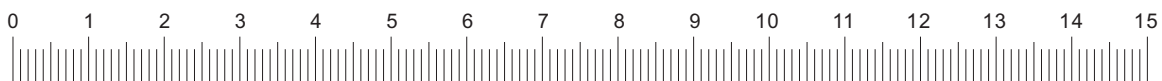


1	1800x400x16		1
2	1764x398x16		1
3L	428x399x16		1
3R	428x399x16		1
4	412x339x16		1
5	412x379x16		1
6	412x379x16		1
7	429x338x16		3
8	1774x422x5		1
9	408x434x16		2

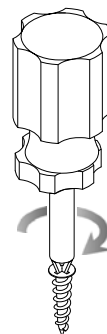
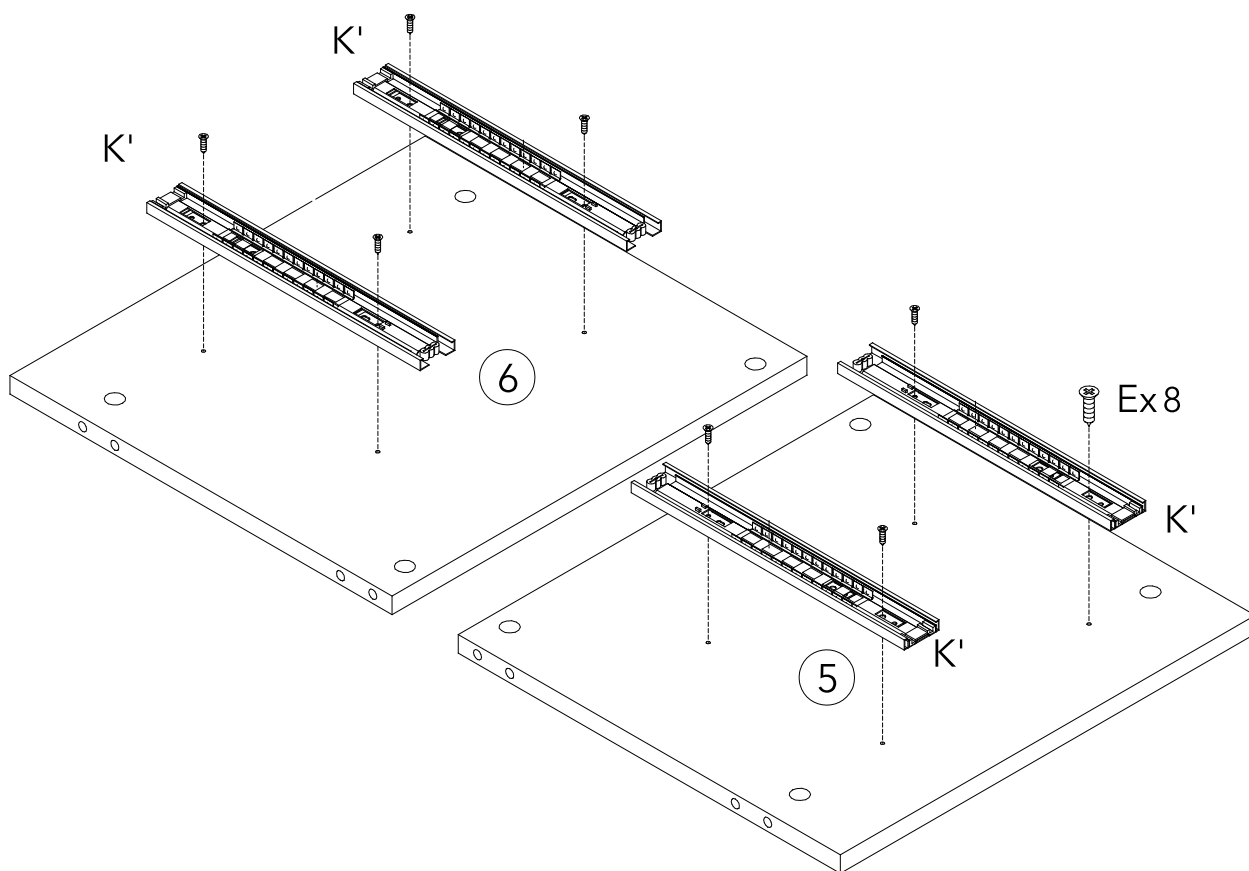
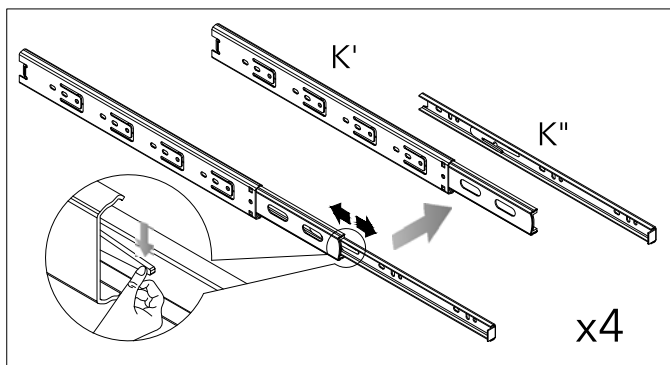
10	408x425x16		1
11	425x203x16		2
12L	300x150x12		2
12R	300x150x12		2
13	380x150x12		2
14	390x294x5		2



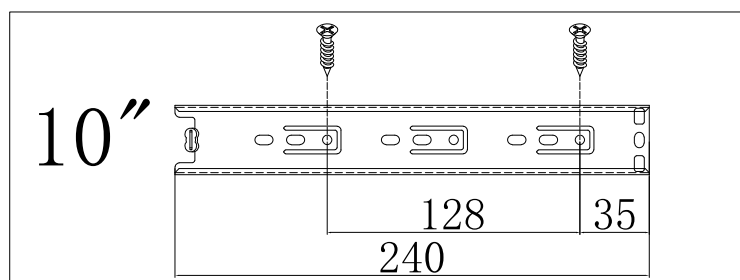
								
A	M6x40mm	20X	B	Ø15x11.5	20X	C	Ø8x30	20X
								
D	Ø12x10mm	8X	E	M4x14	16X	F	M4x30	8X
								
G	M6x12mm	7X	H	L=406	3X	I	M4x20mm	15X
								
J	L=423	2X	K	10"	2X	M	/	6X
								
N	/	12X	O	4#	1X	P	/	2X
								
Q	/	8X	R	M6x16mm	6X	U	Ø50	2X
								
Z	Ø20	28X						



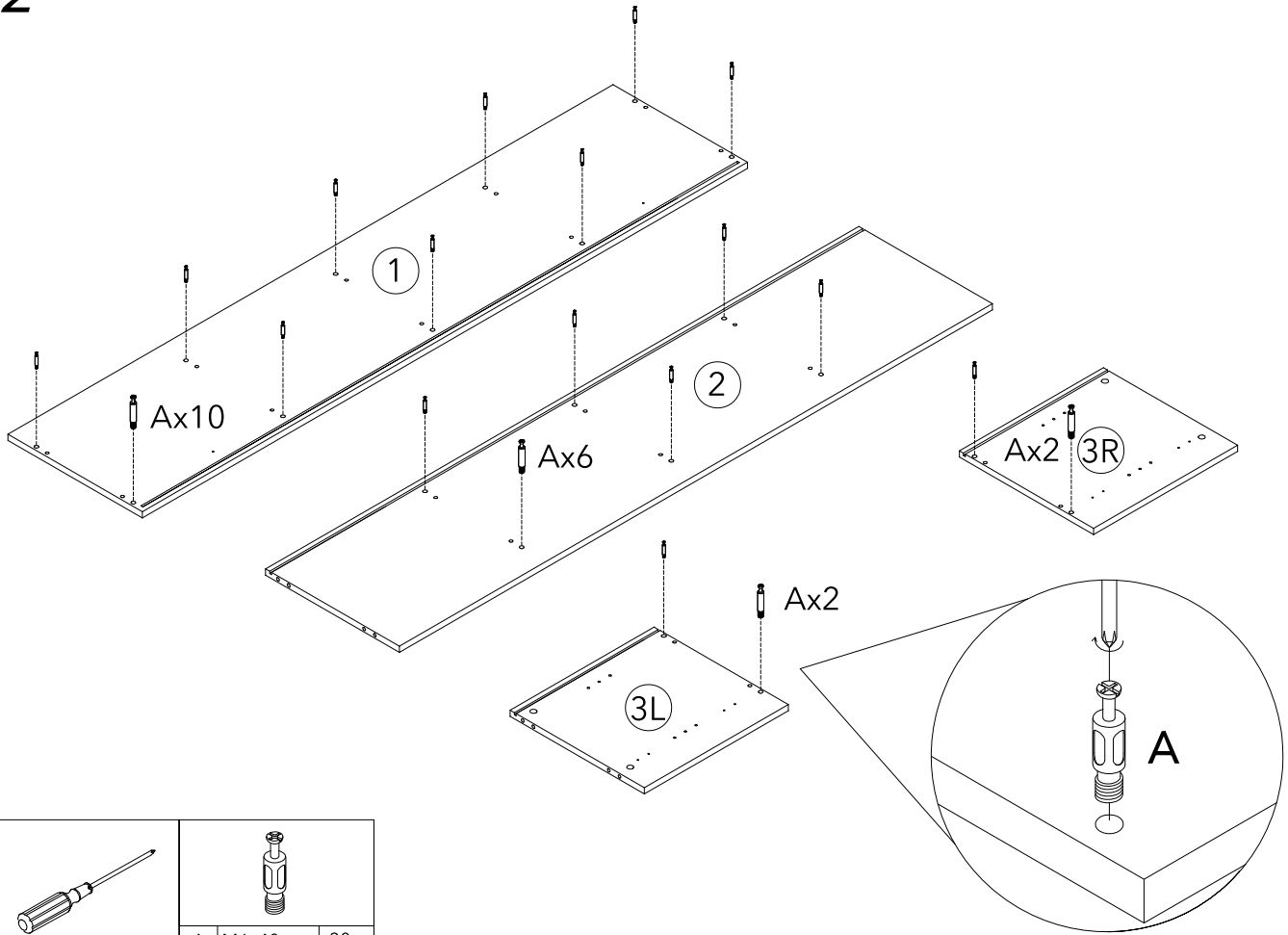
# 1

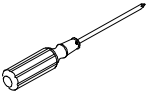



K	10"	2x
E	M4x14	8x

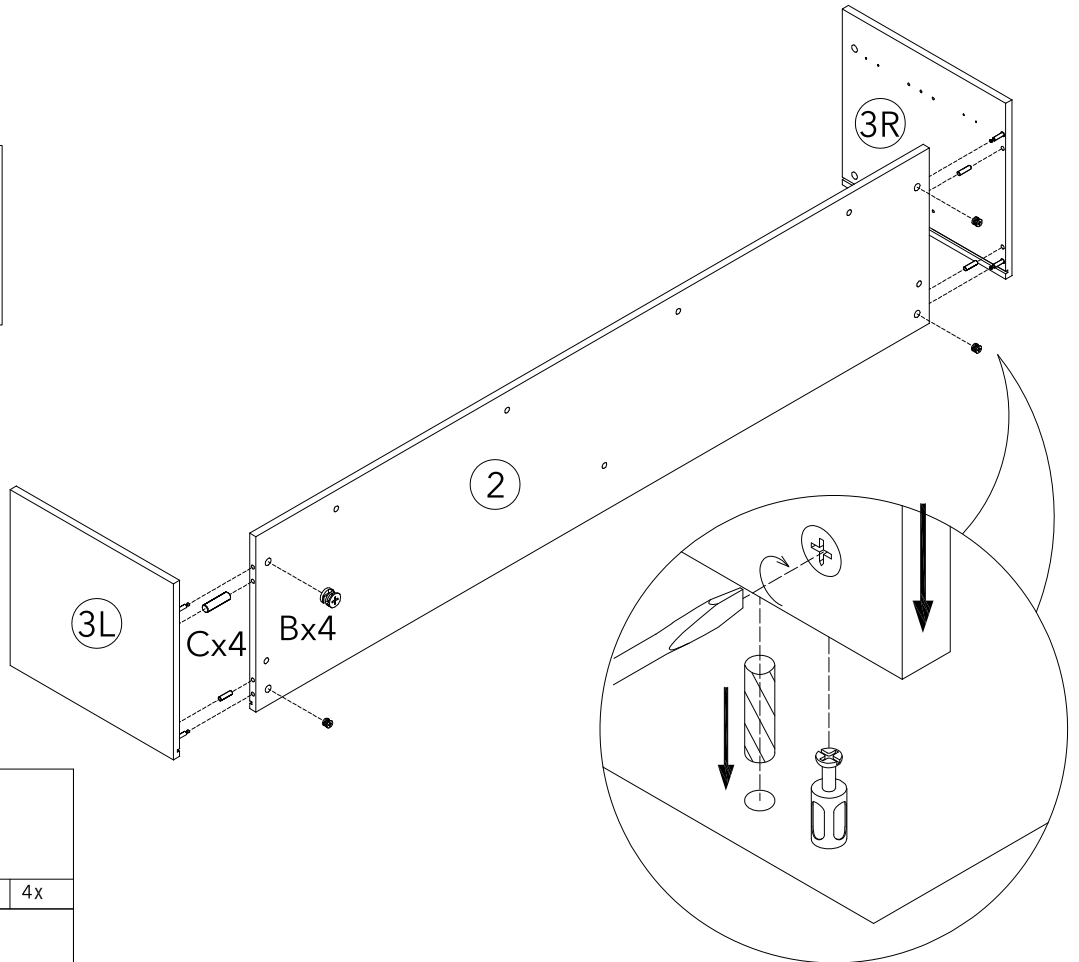
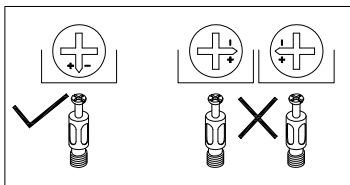



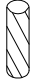
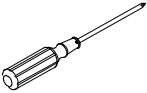

2



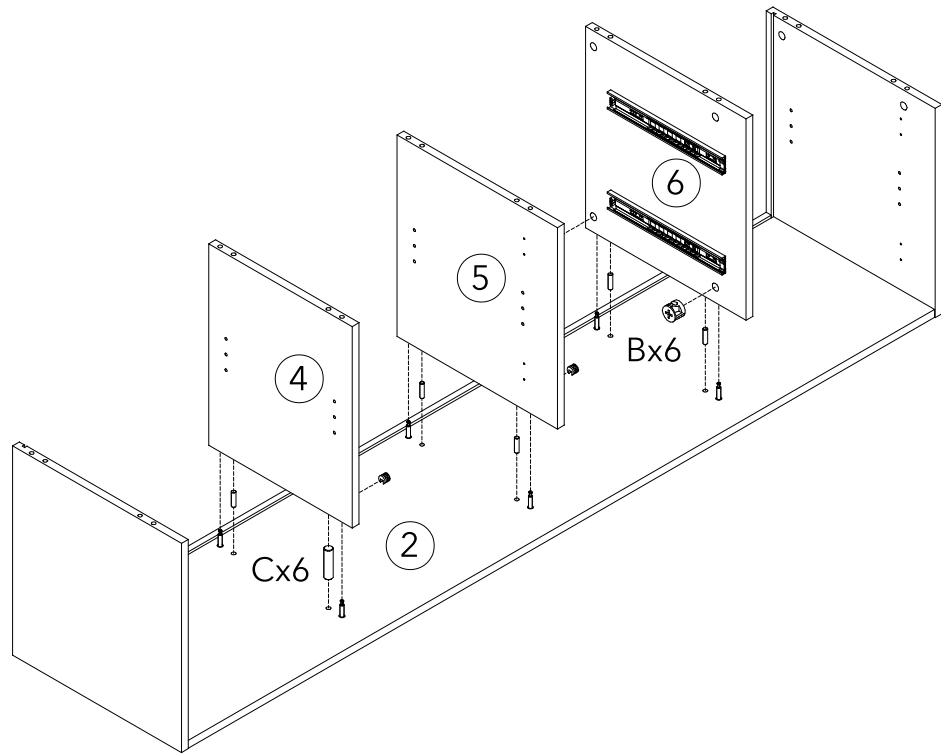
	
	A   M6x40mm   20x





**STEP 3**



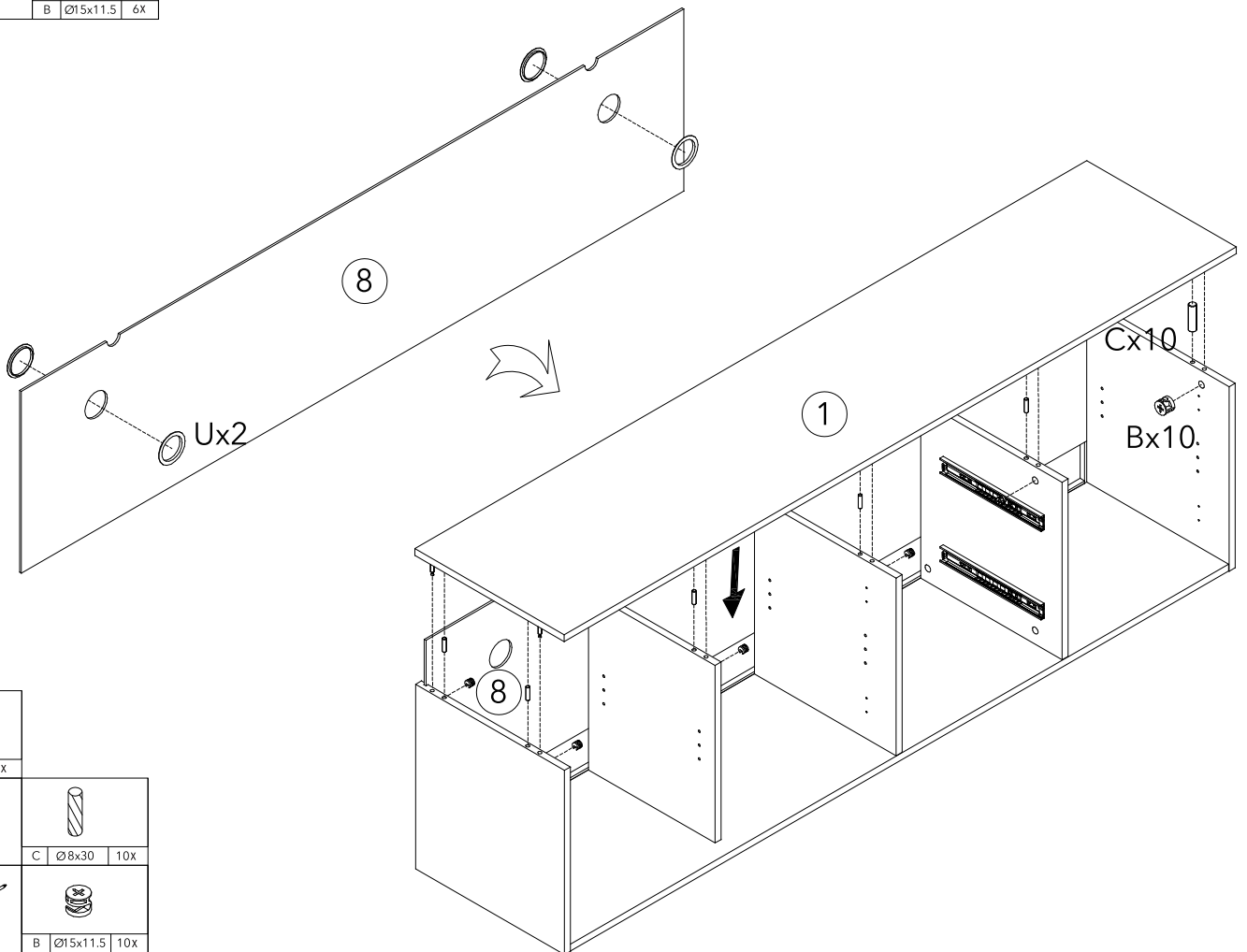
	
	C   Ø8x30   4x
	
	B   Ø15x11.5   4x






# 4



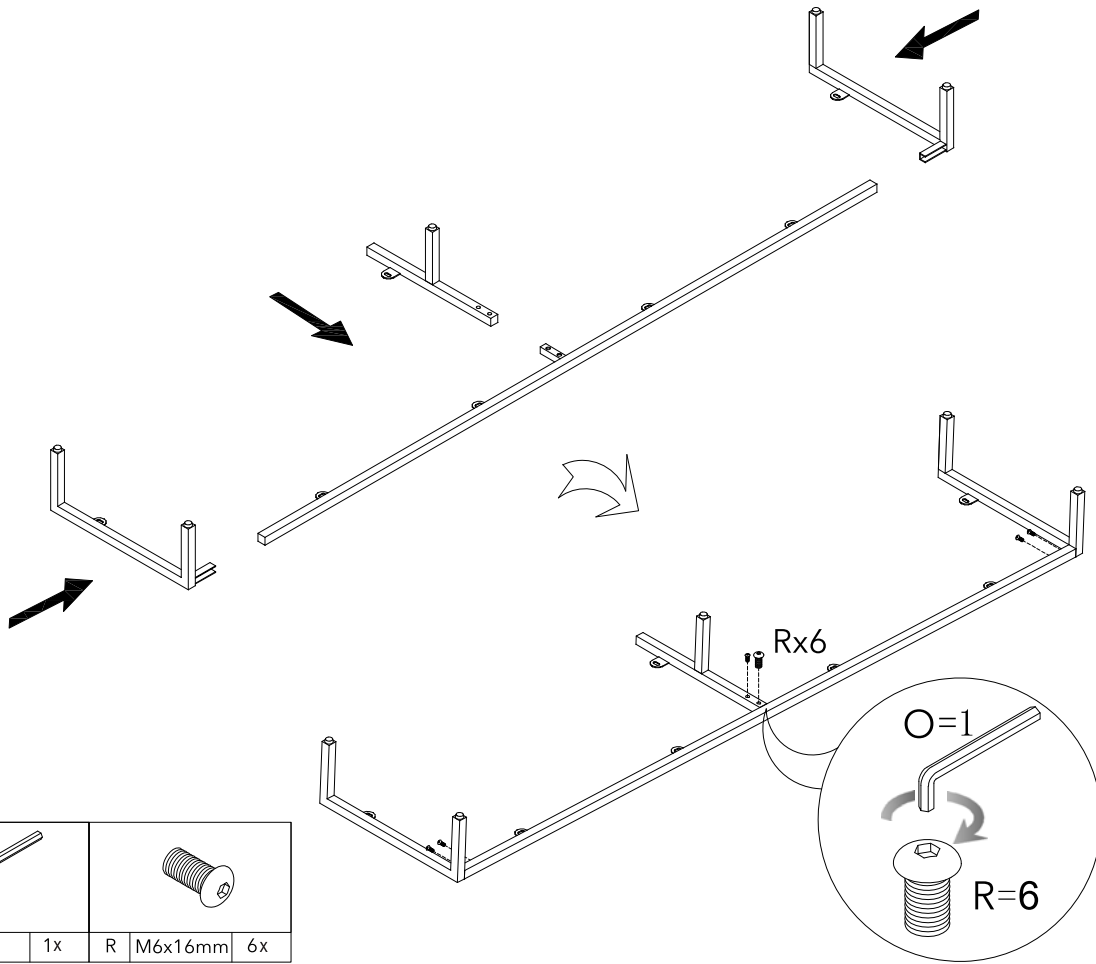
		C	Ø8x30	6X
		B	Ø15x11.5	6X

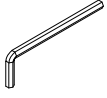
# 5



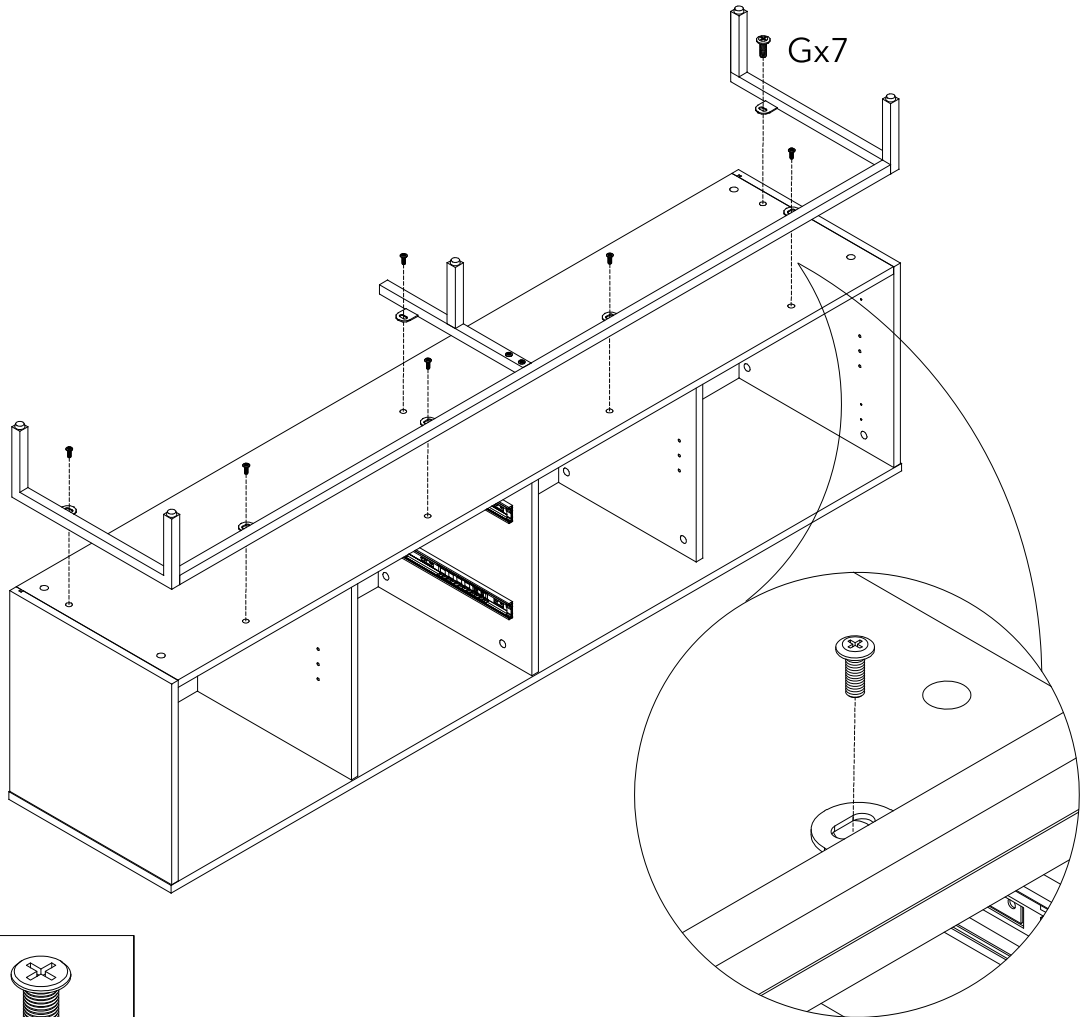
	U	Ø50	2X	
		C	Ø8x30	10X
		B	Ø15x11.5	10X

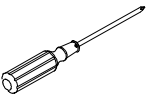
6

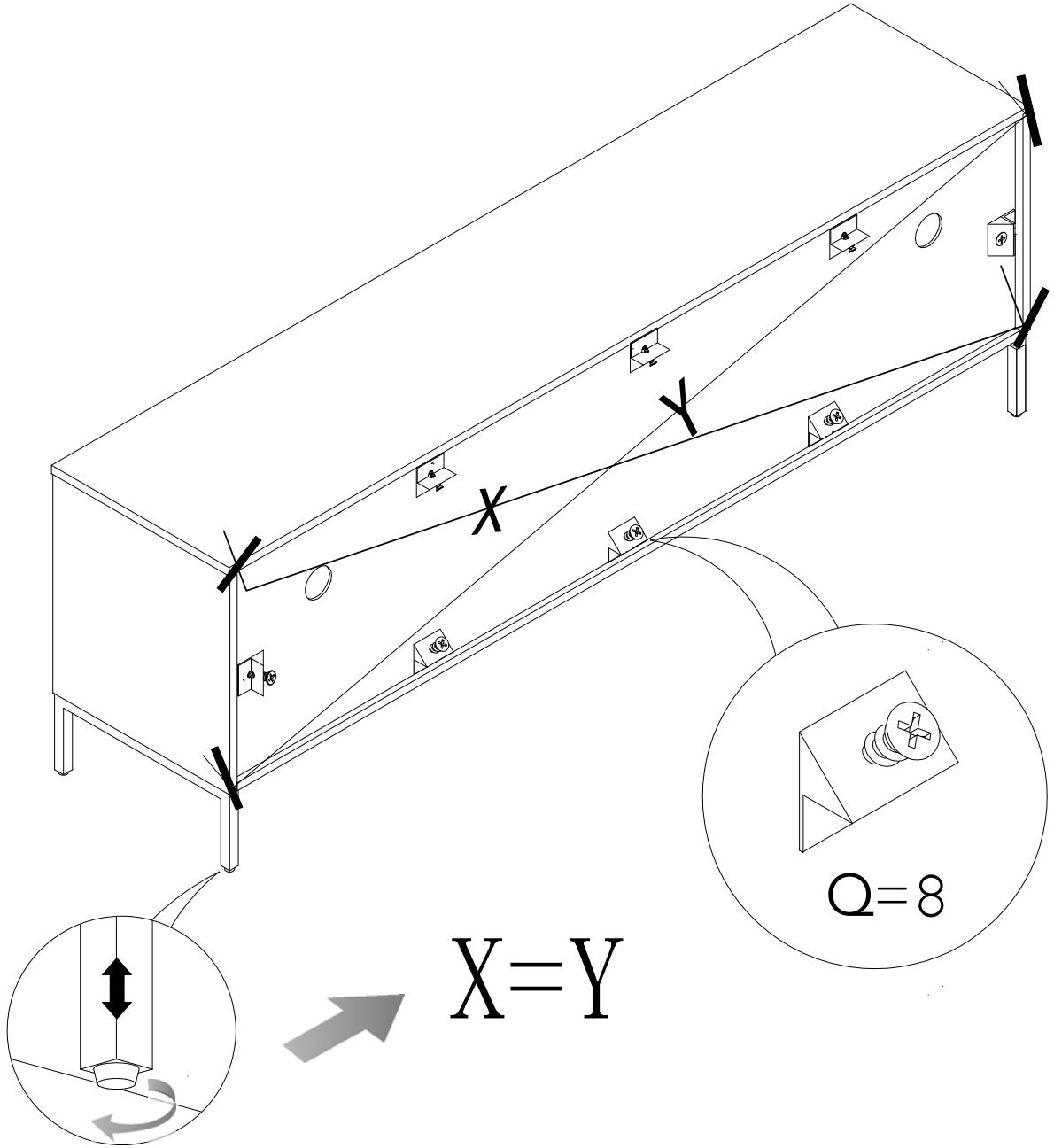


					
O	4#	1x	R	M6x16mm	6x

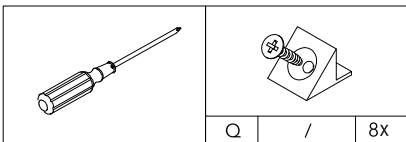
7

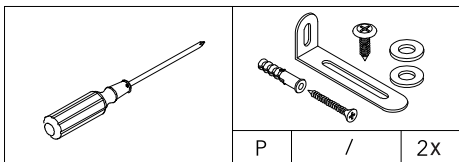
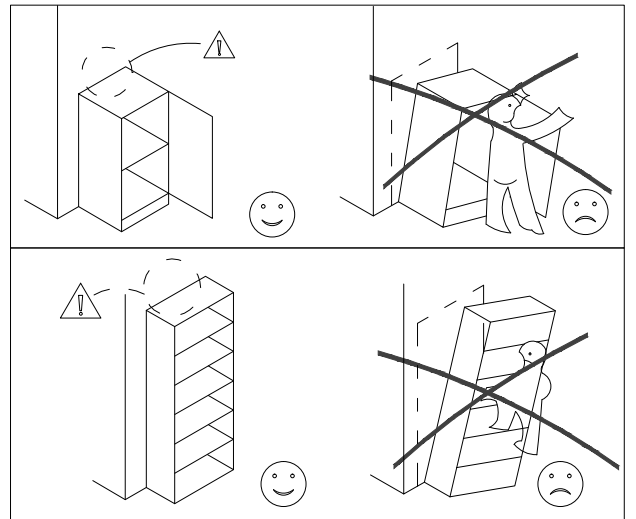
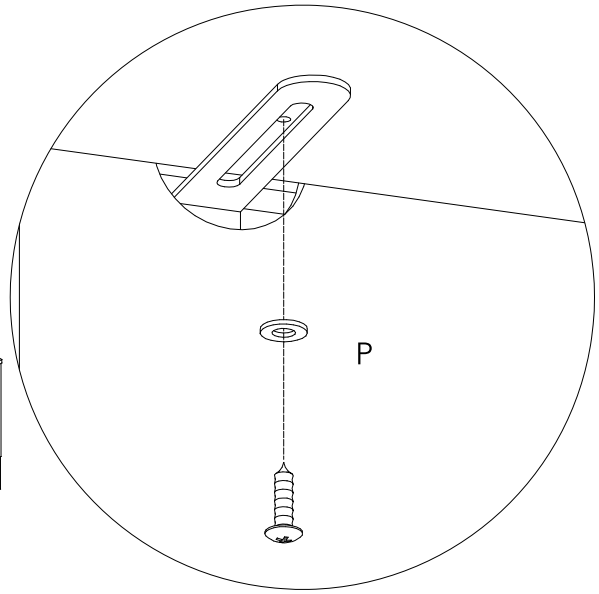
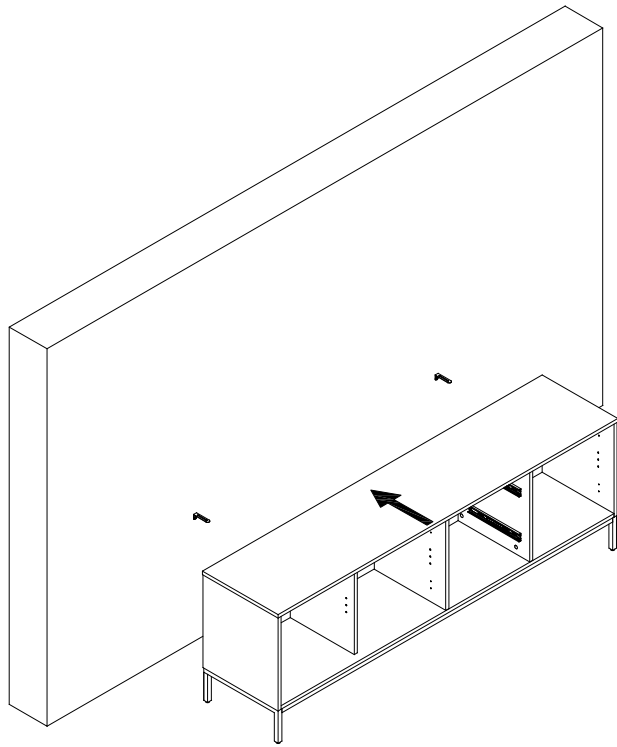
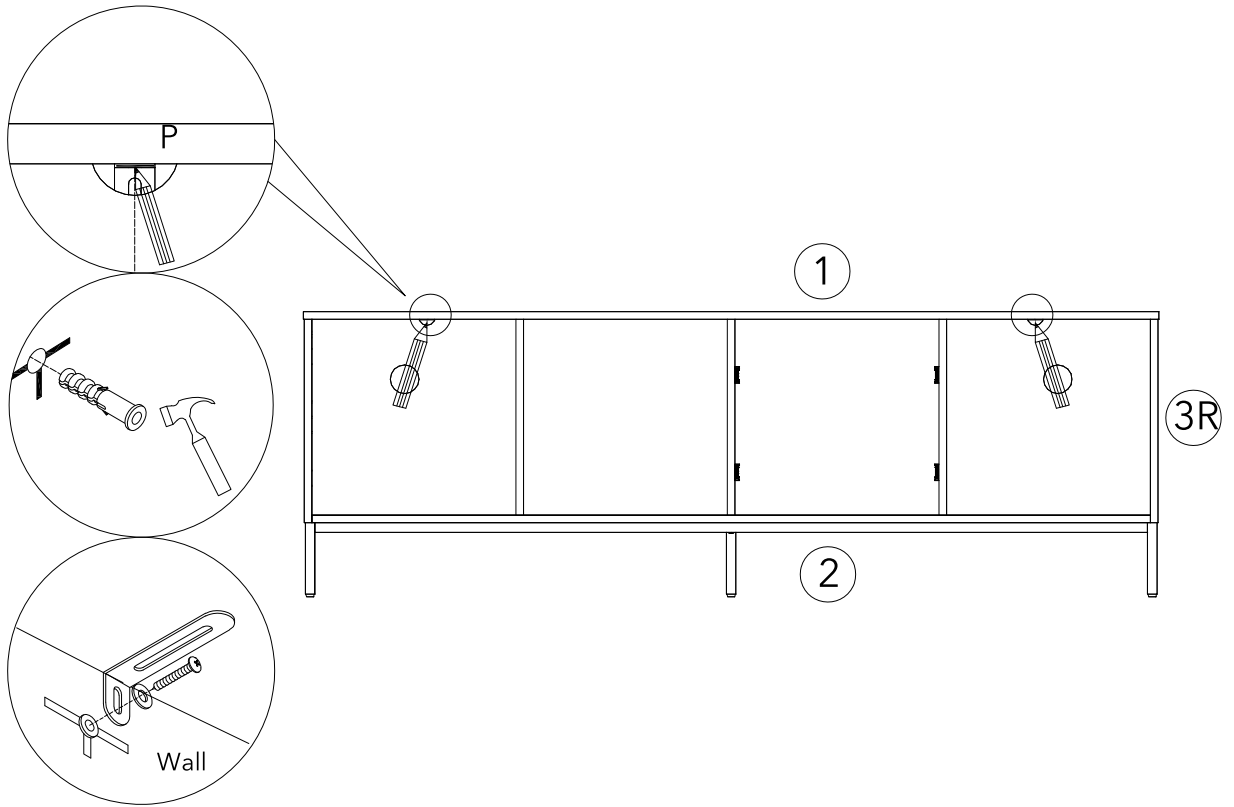


					
G	M6x12mm	7x			

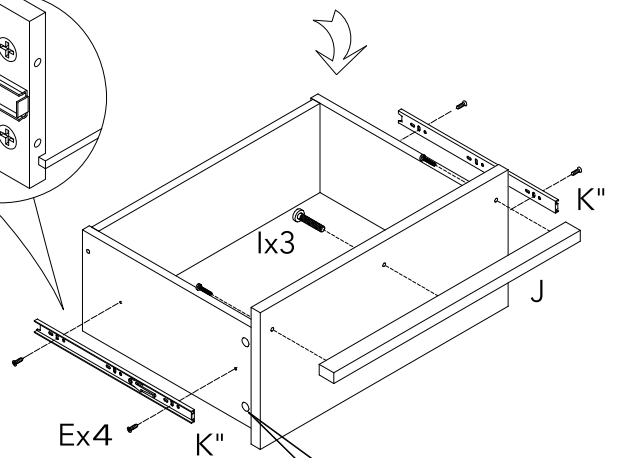
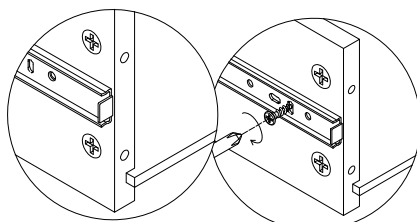
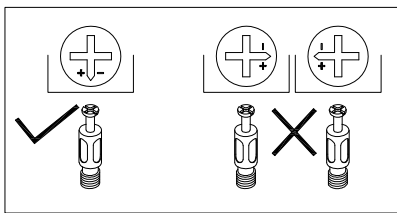
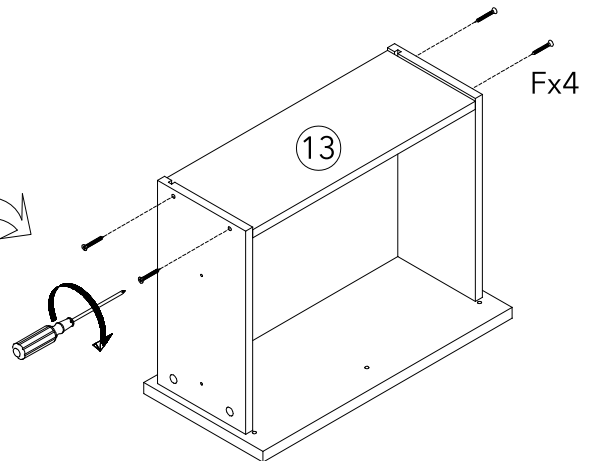
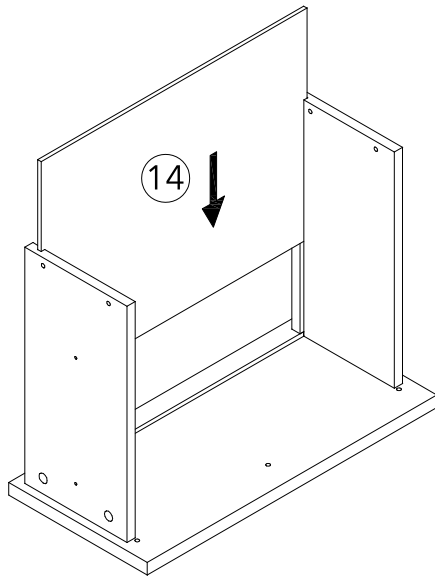
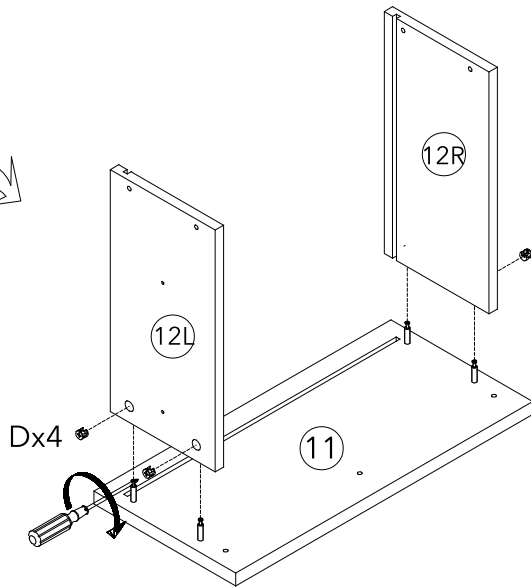
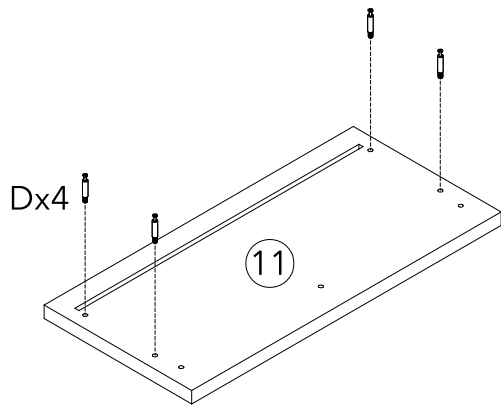


$X=Y$

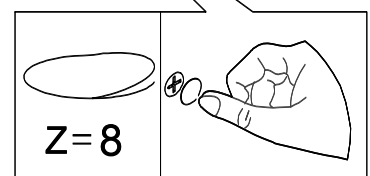
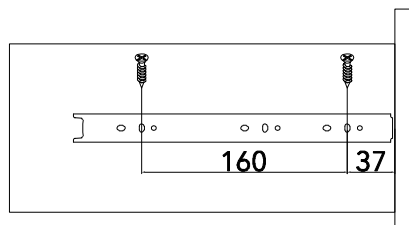


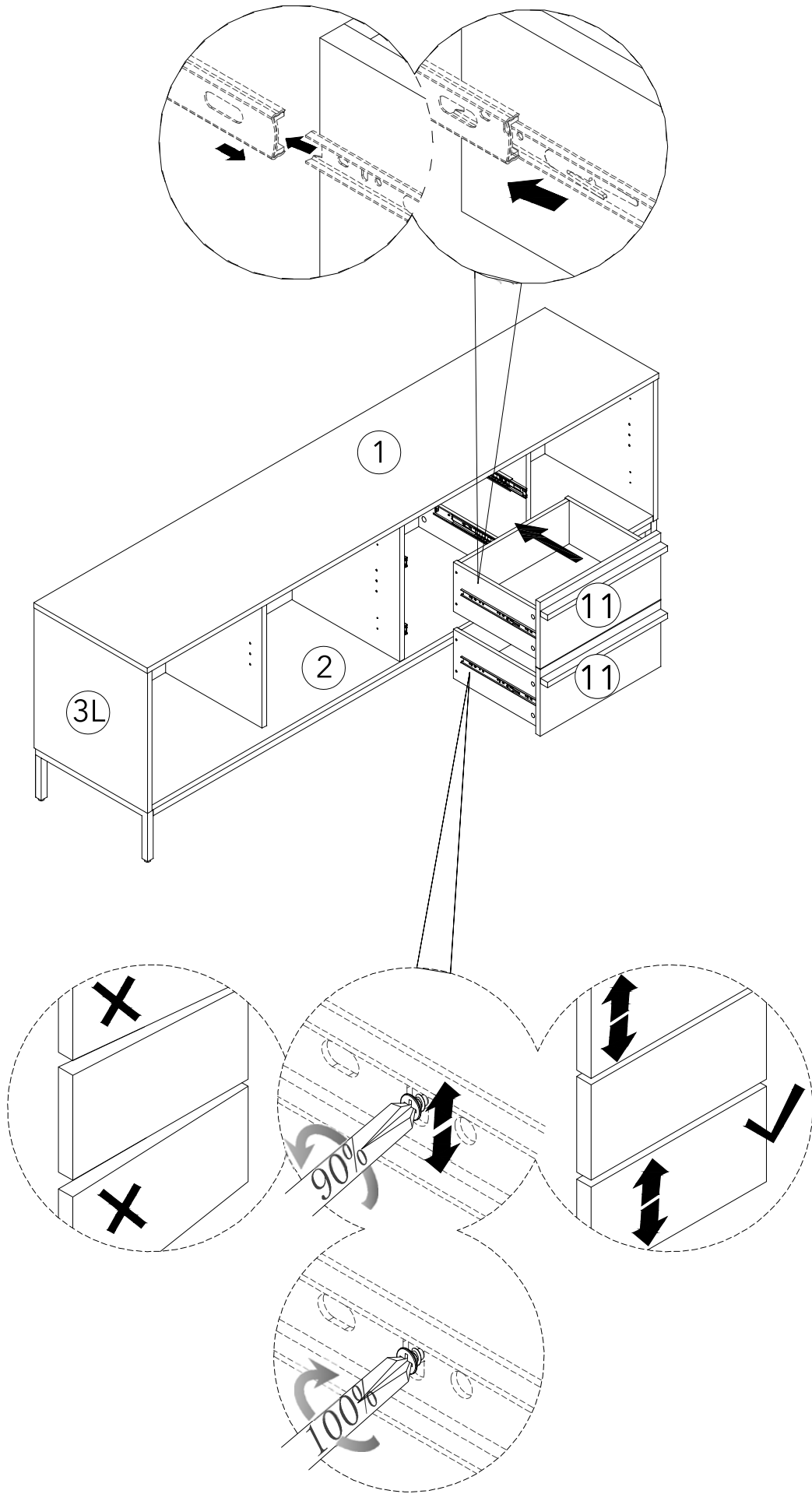


# 10 x2

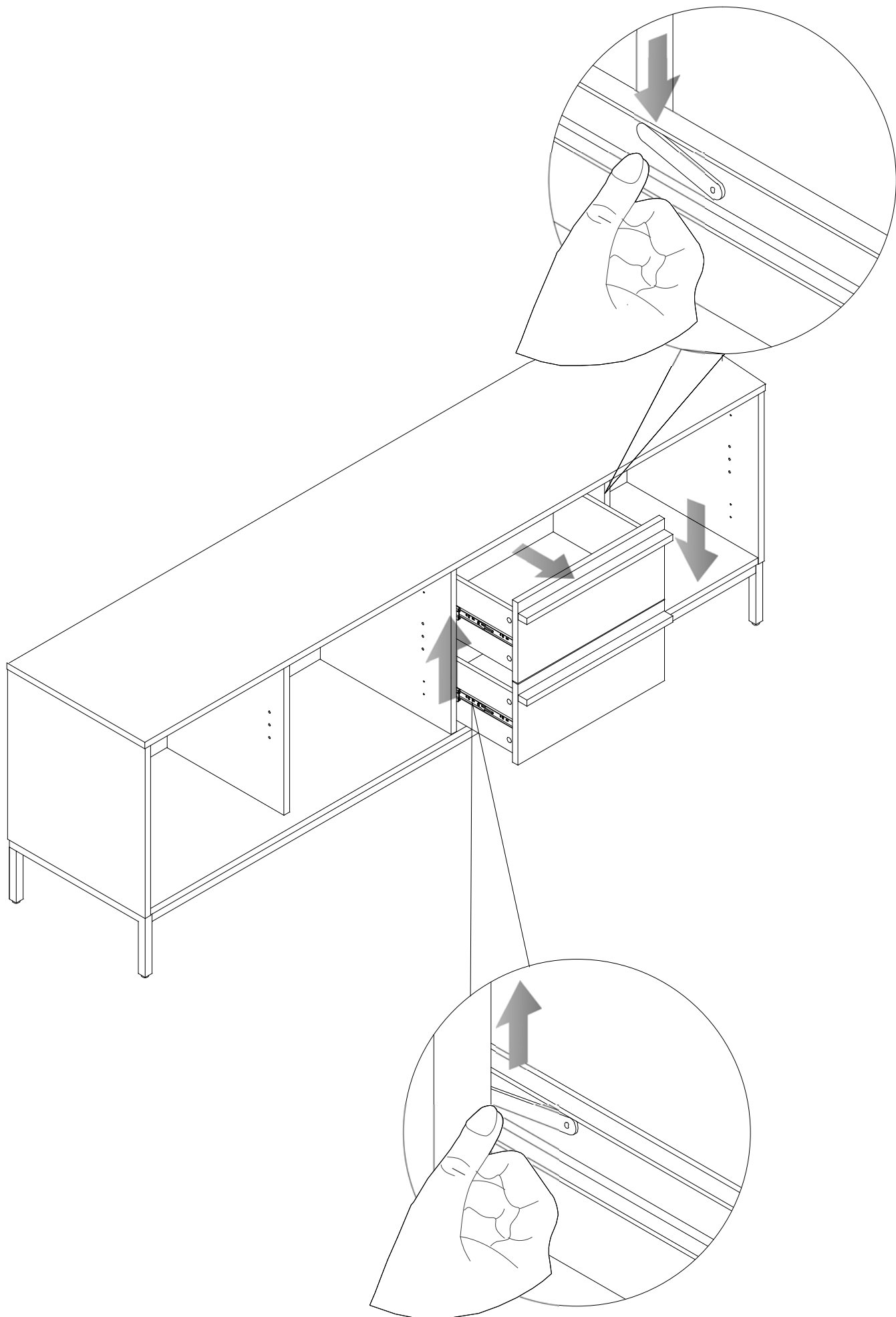


	J	L=423	2x		F	M4x30	8x		I	M4x20	6x
	K	10"	2x		D	M6x25mm	8x		E	M4x14	8x

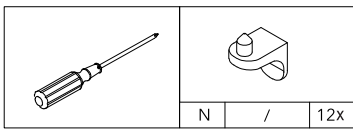
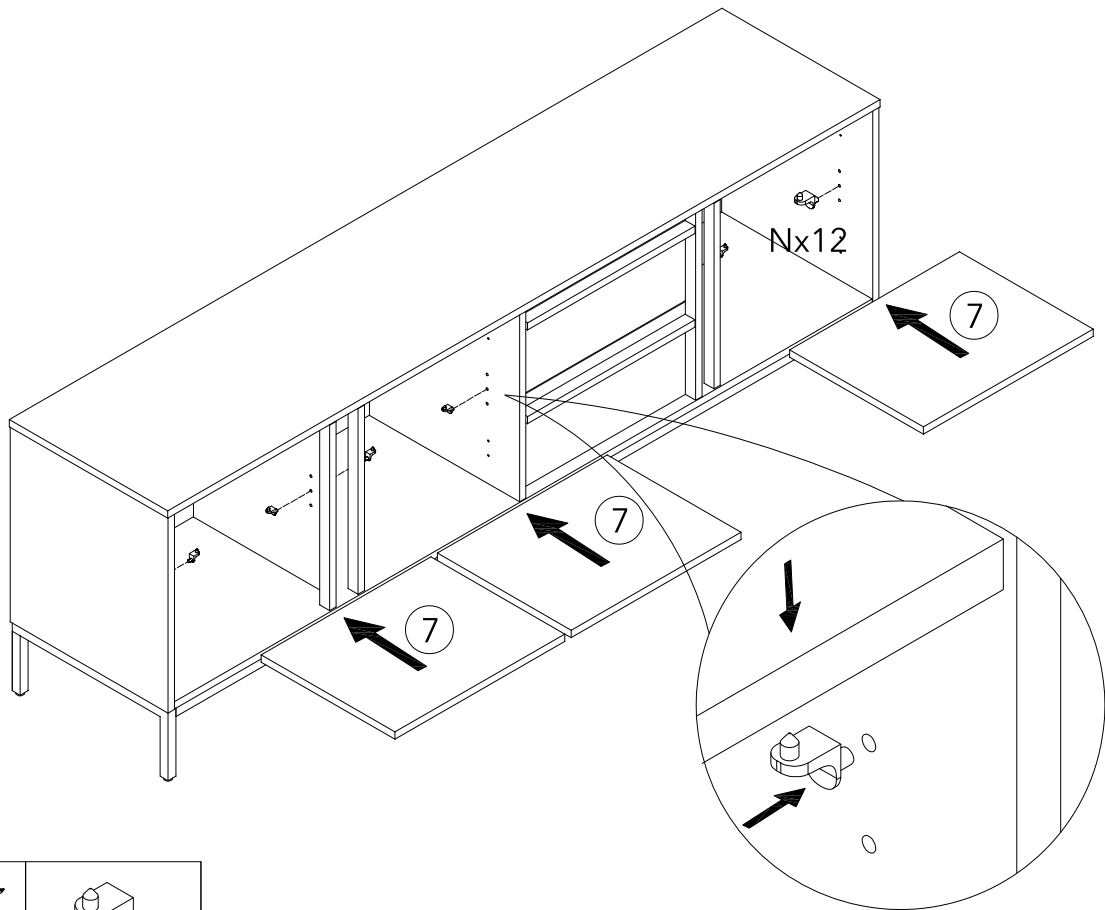




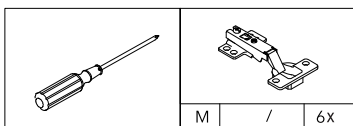
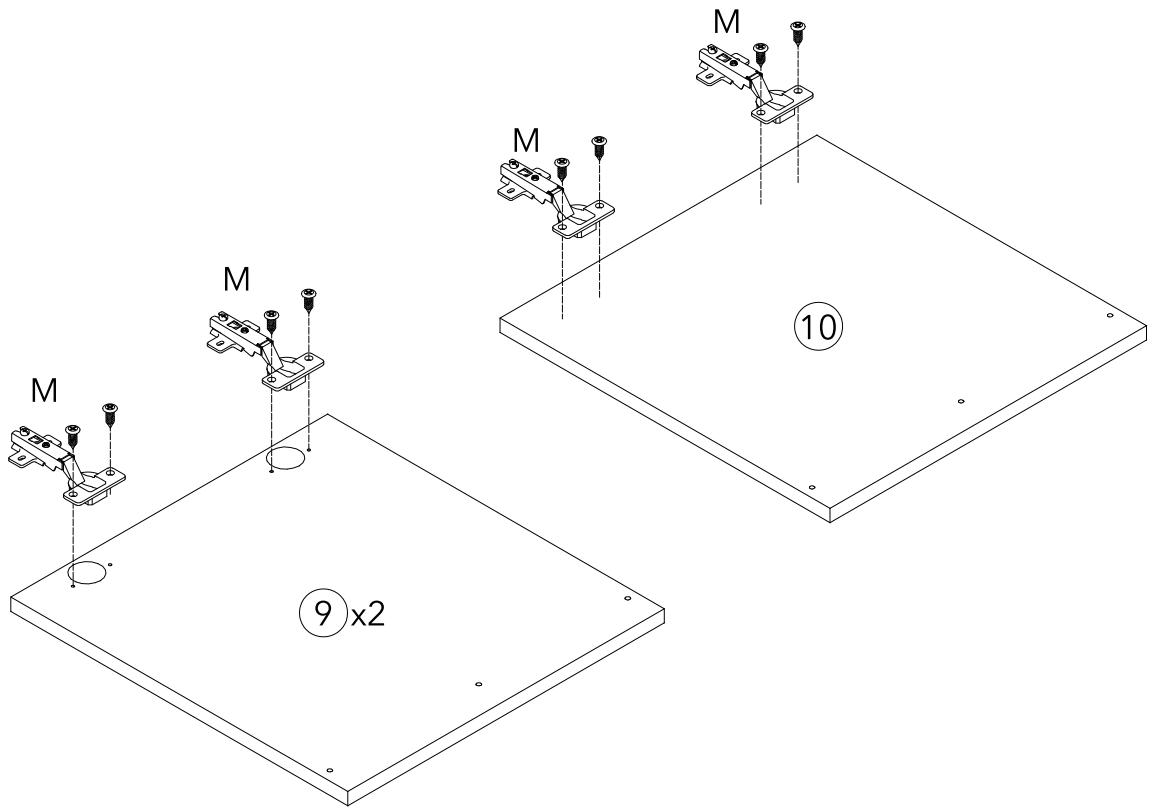
12

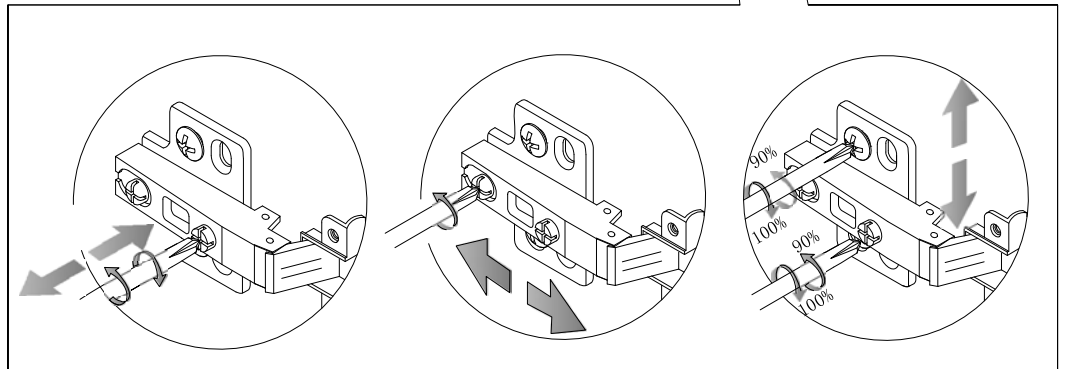
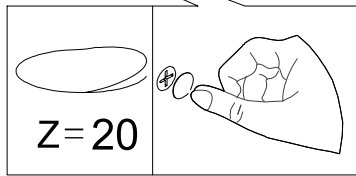
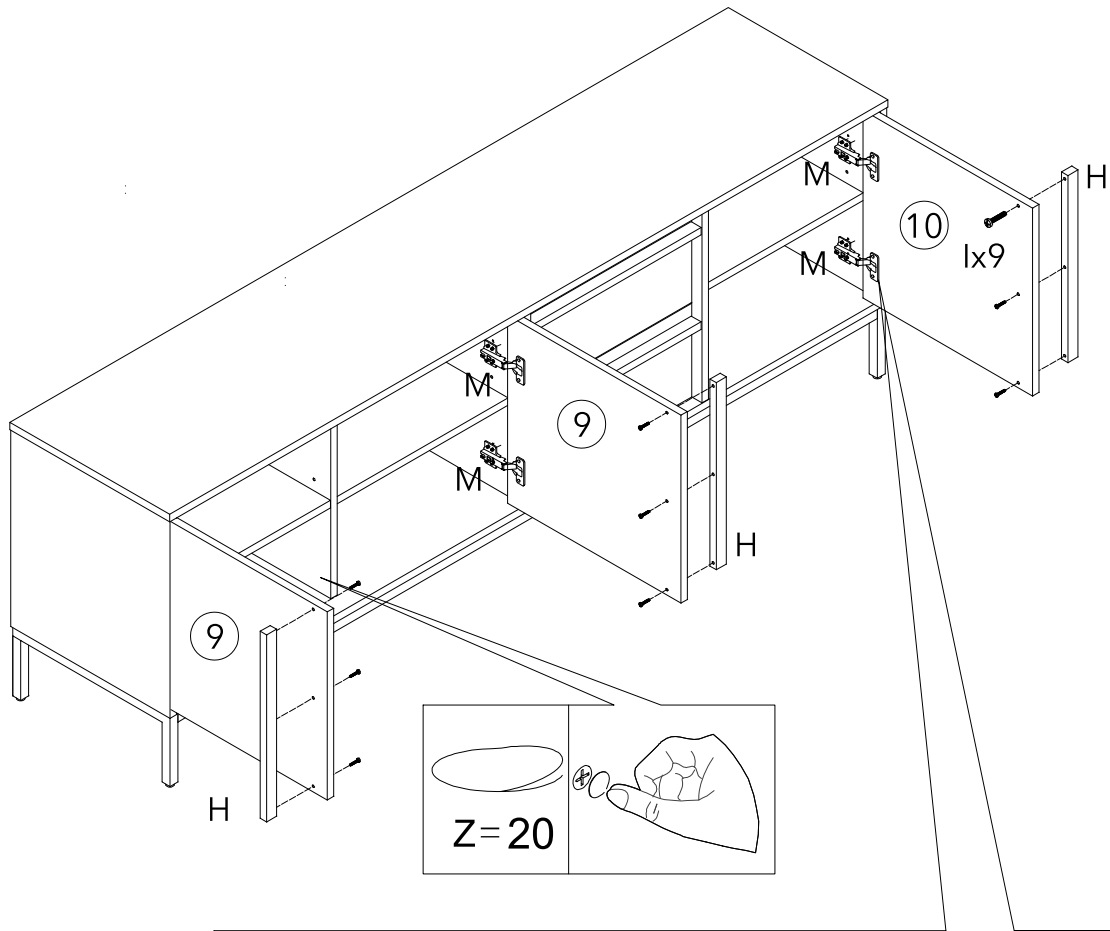


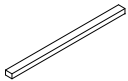

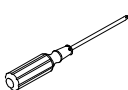
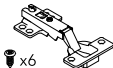
# 13



# 14





			
H	L=406	3x	
			
I	M4x20	9x	
			
		x6	
M	/	6x	

