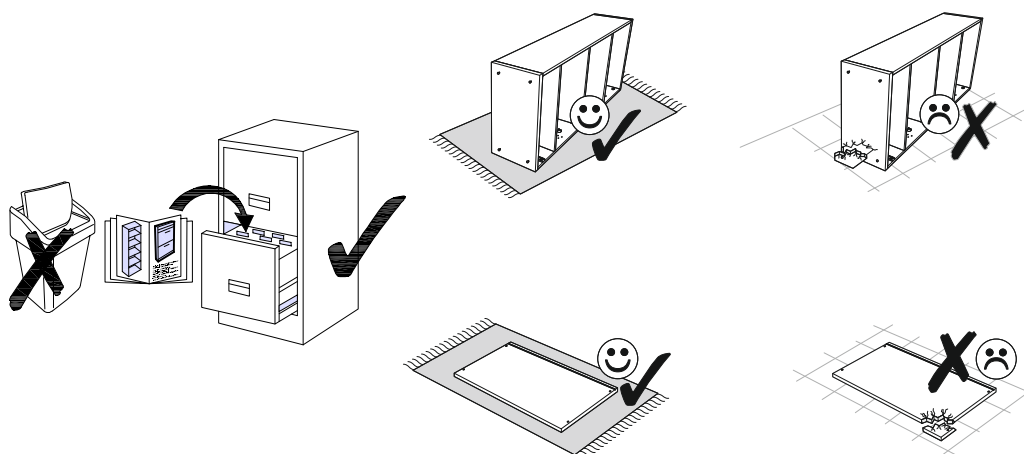
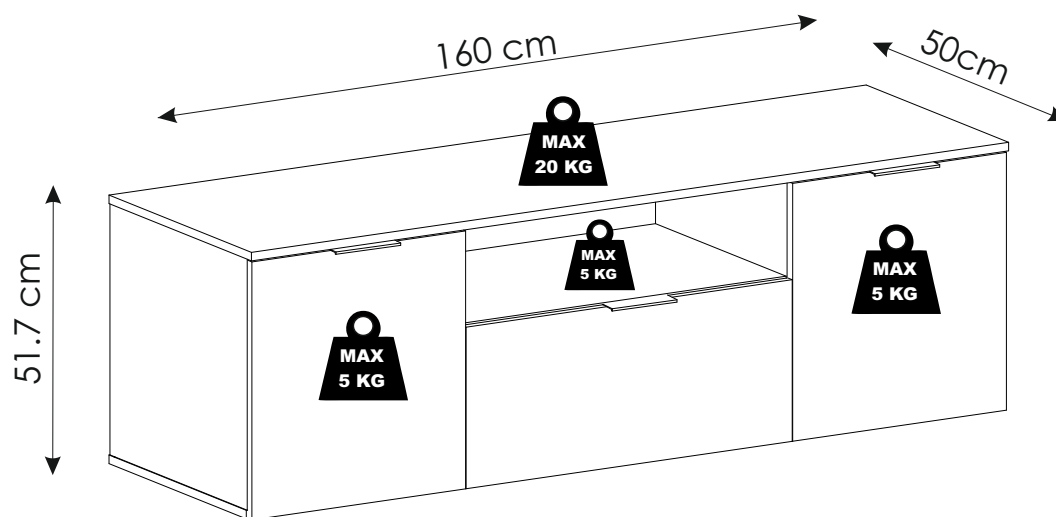
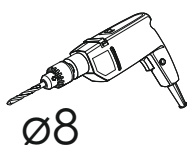
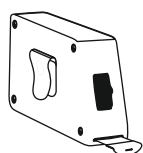
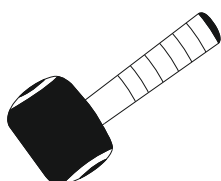
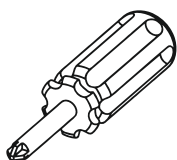
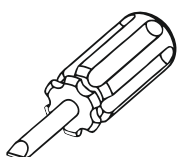
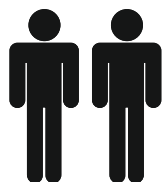
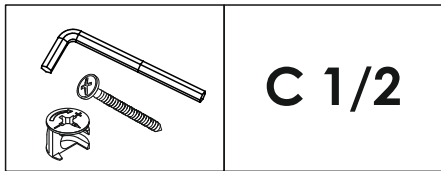
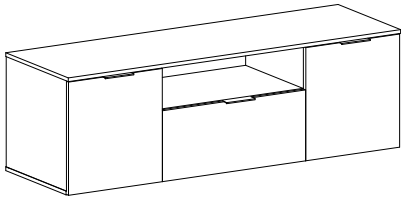


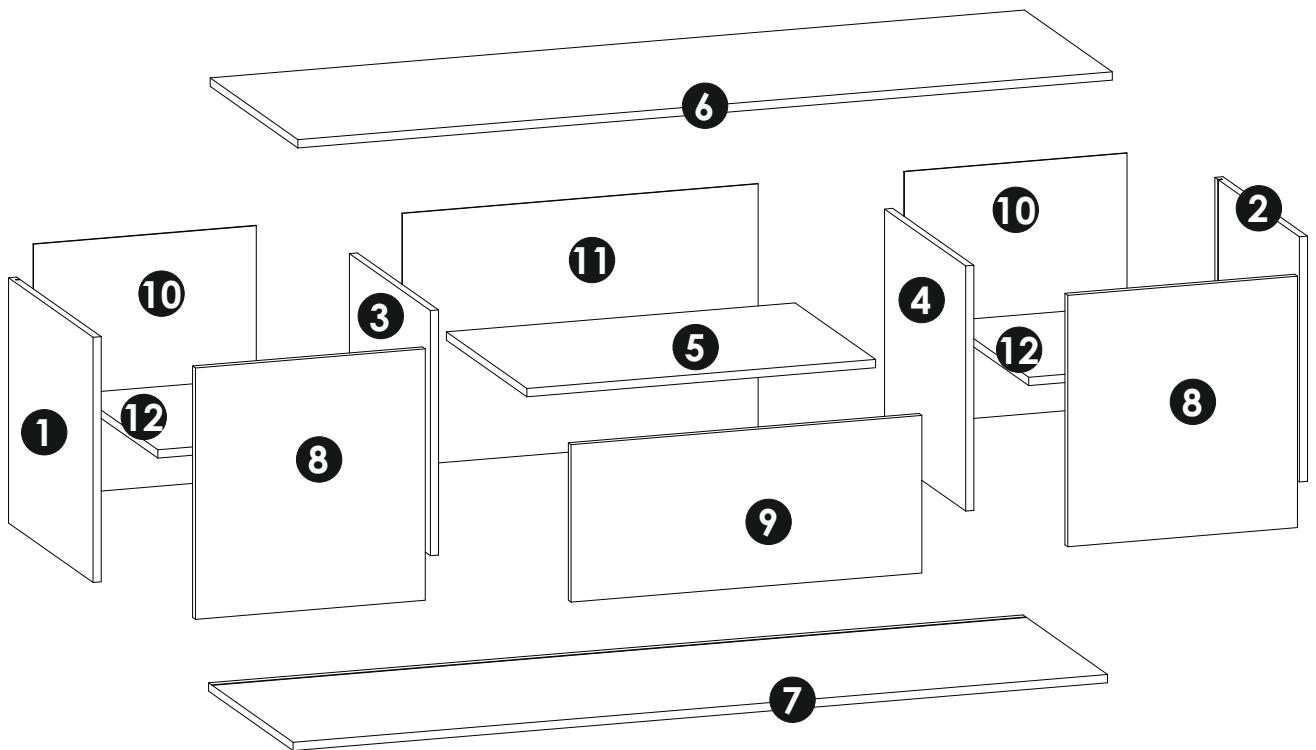


Modell: KERA

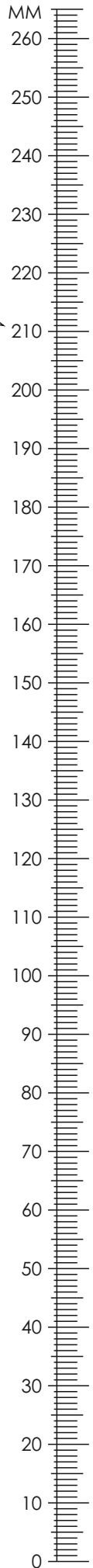
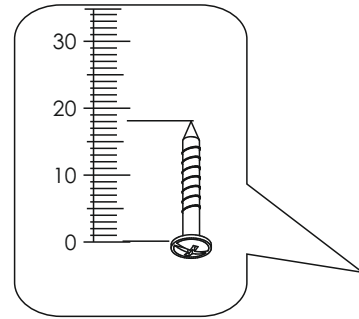
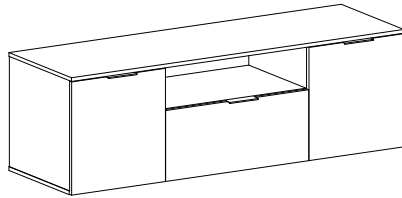




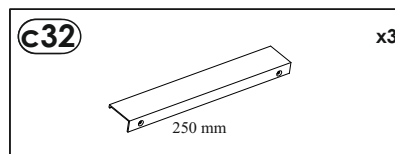
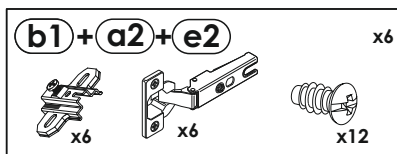
1	470	482	16	x1	1/2
2	470	482	16	x1	1/2
3	470	419	16	x1	1/2
4	470	419	16	x1	1/2
5	686	416	16	x1	1/2
6	1600	500	16	x1	2/2
7	1600	482	16	x1	2/2
8	480	450	16	x2	2/2
9	688	300	16	x1	2/2
10	484	438	3	x2	2/2
11	700	484	3	x1	2/2
12	424	415	16	x2	1/2

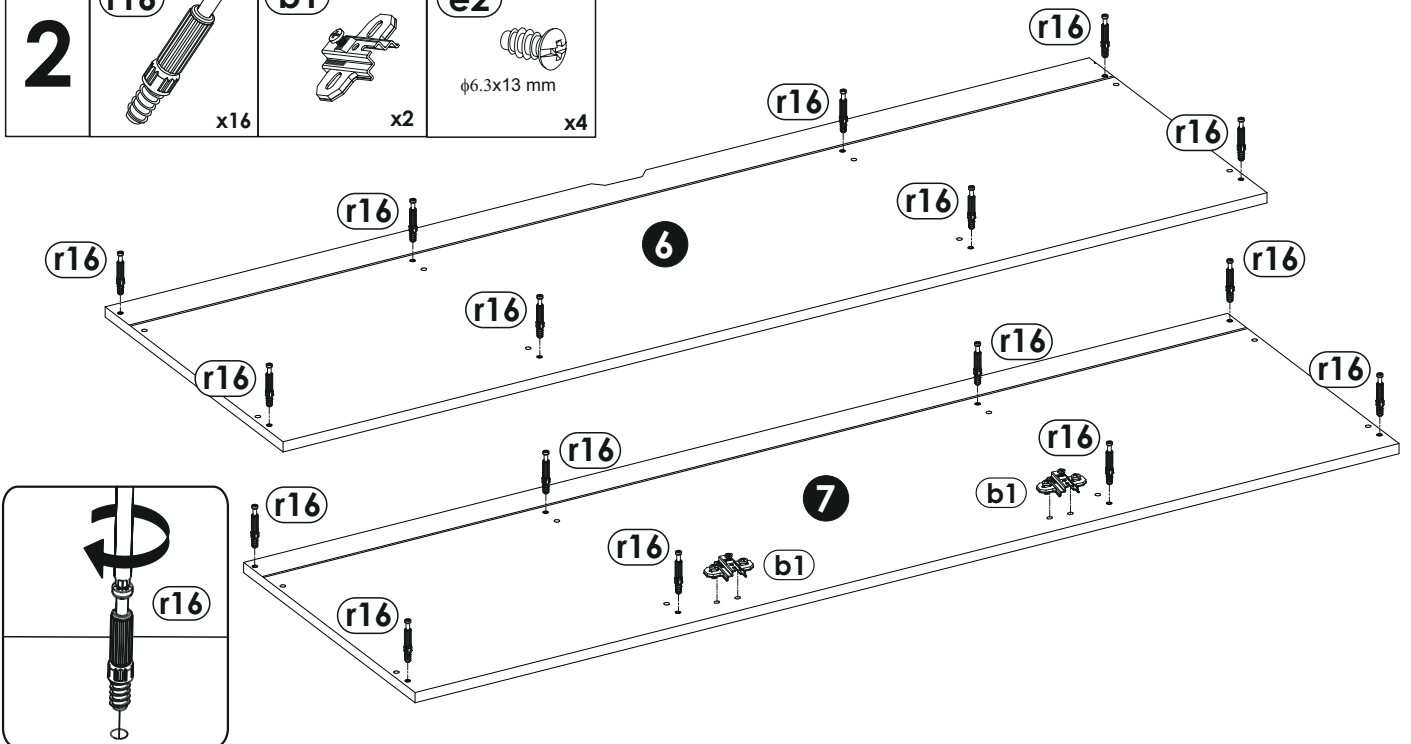
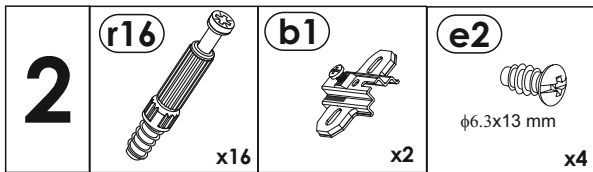
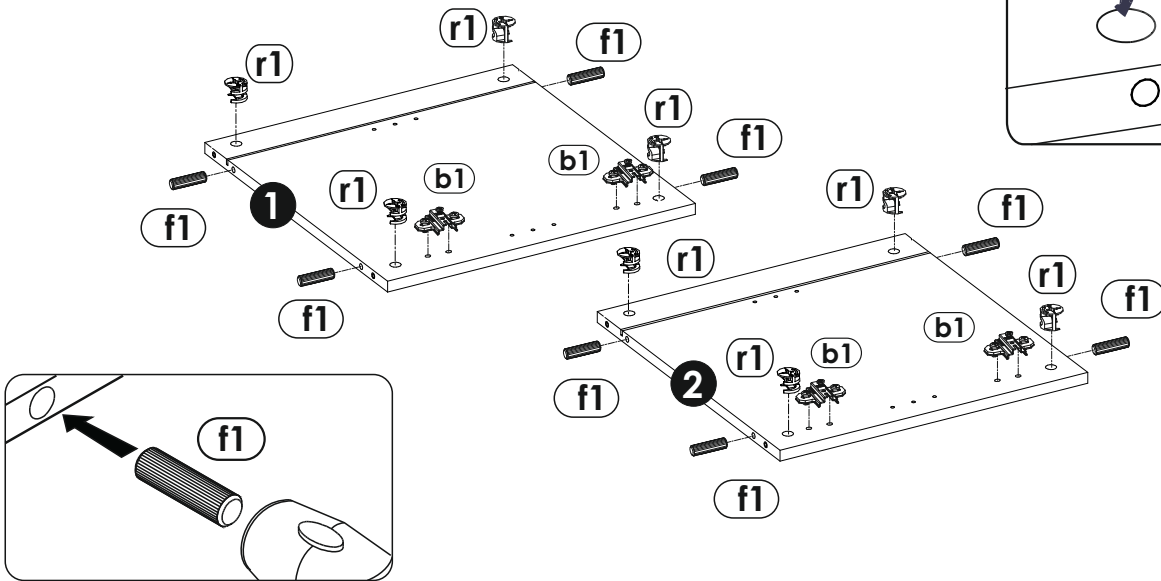
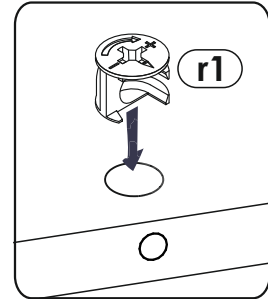
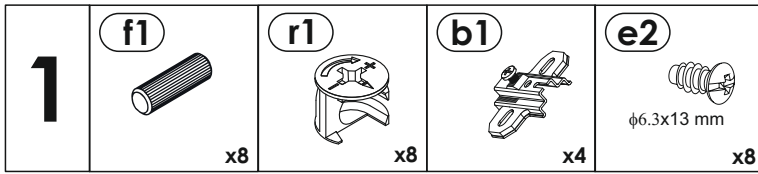
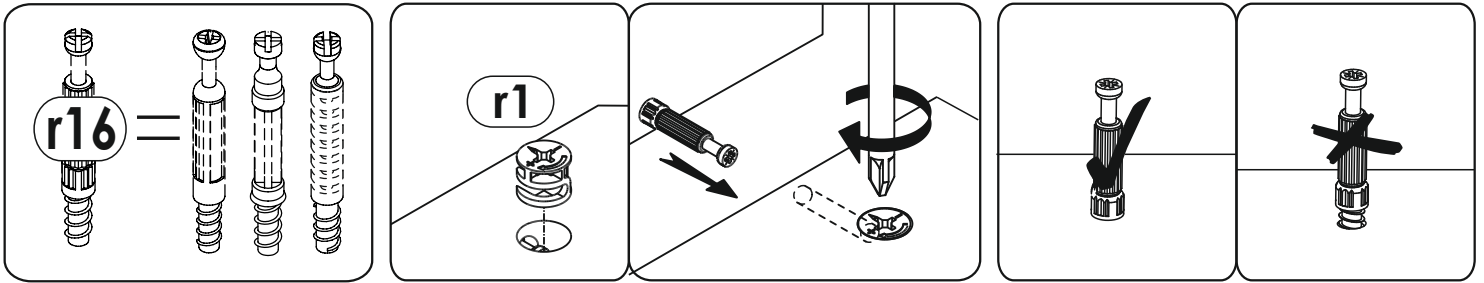


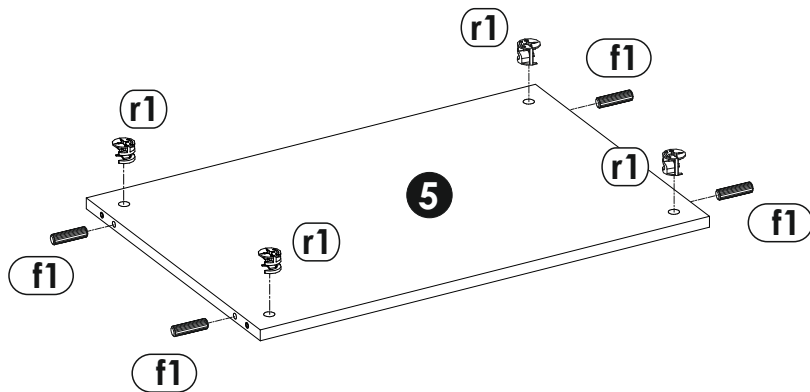
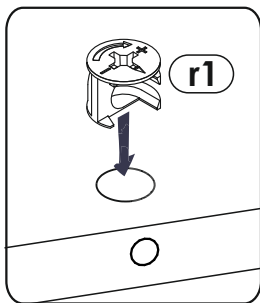
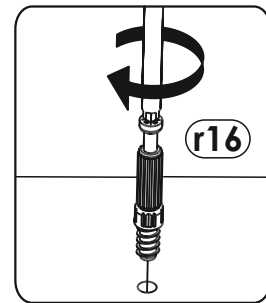
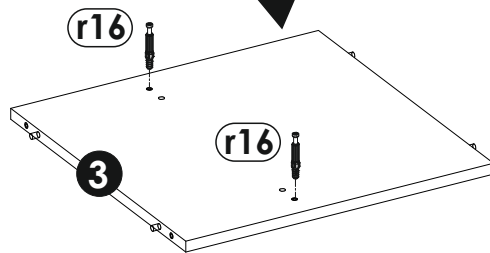
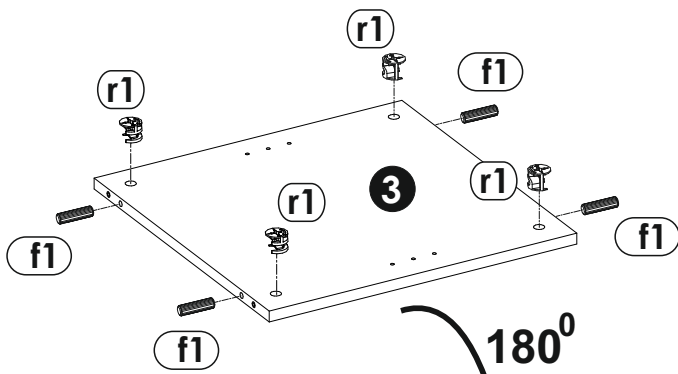
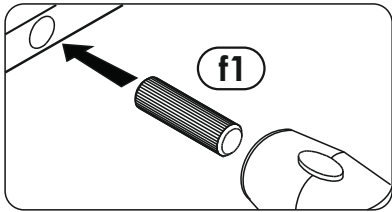
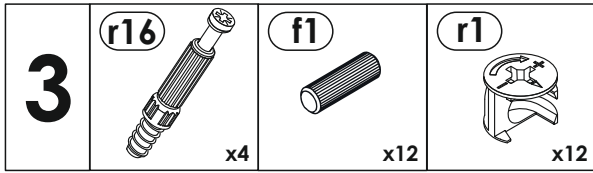
KERA

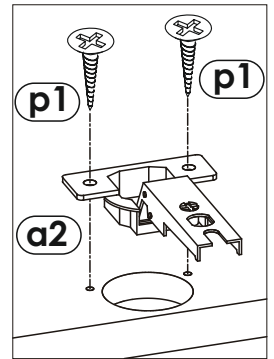
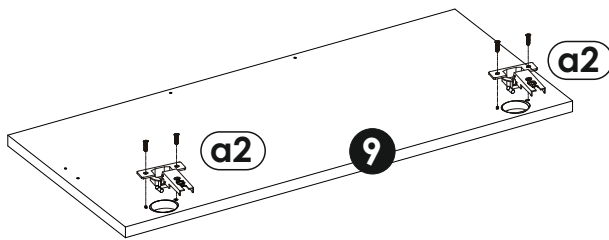
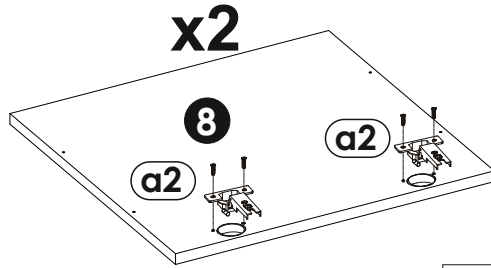
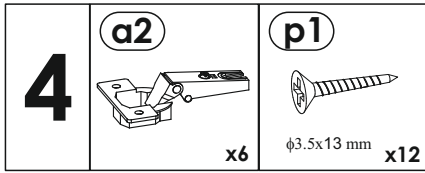


A	f1 8 x 32 mm x20	r16 6 x 34 mm x20	r1 15 x 12 mm x20
	p4 3.5 x 16 mm x6		
B	d1 φ5x17 mm x8	p5 4.2 x 13 mm x6	k33 x5
	o21 x6	p70 4 X 20 mm x5	
C	p1 3.5 X 13 mm x16	i9 x6	s2/a x12
	s2/b x8	i2 x18	m3 x1

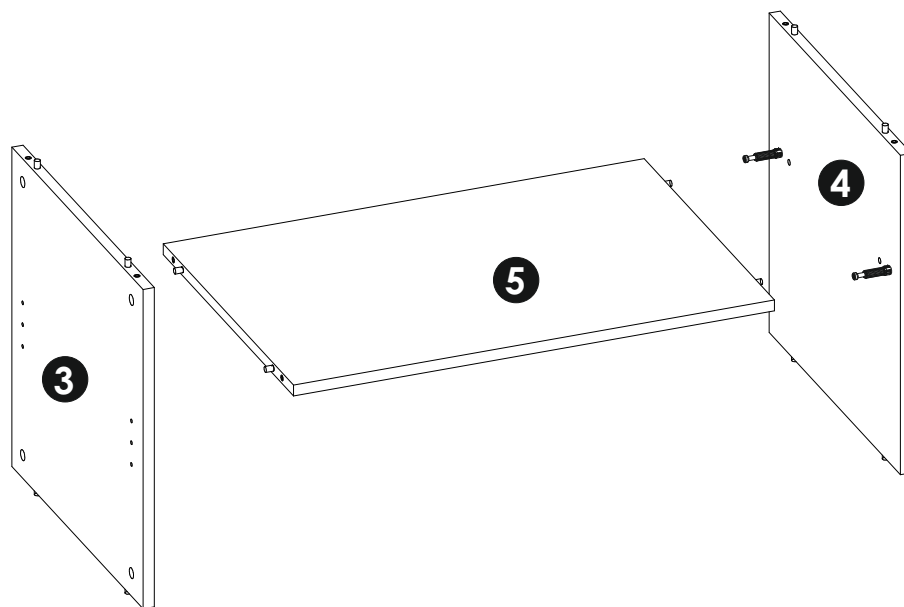
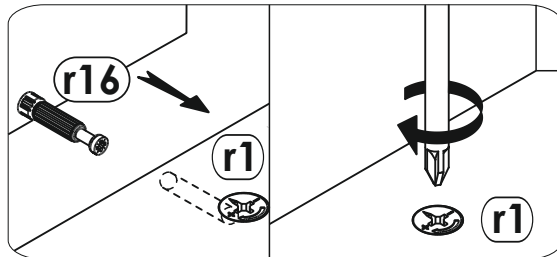




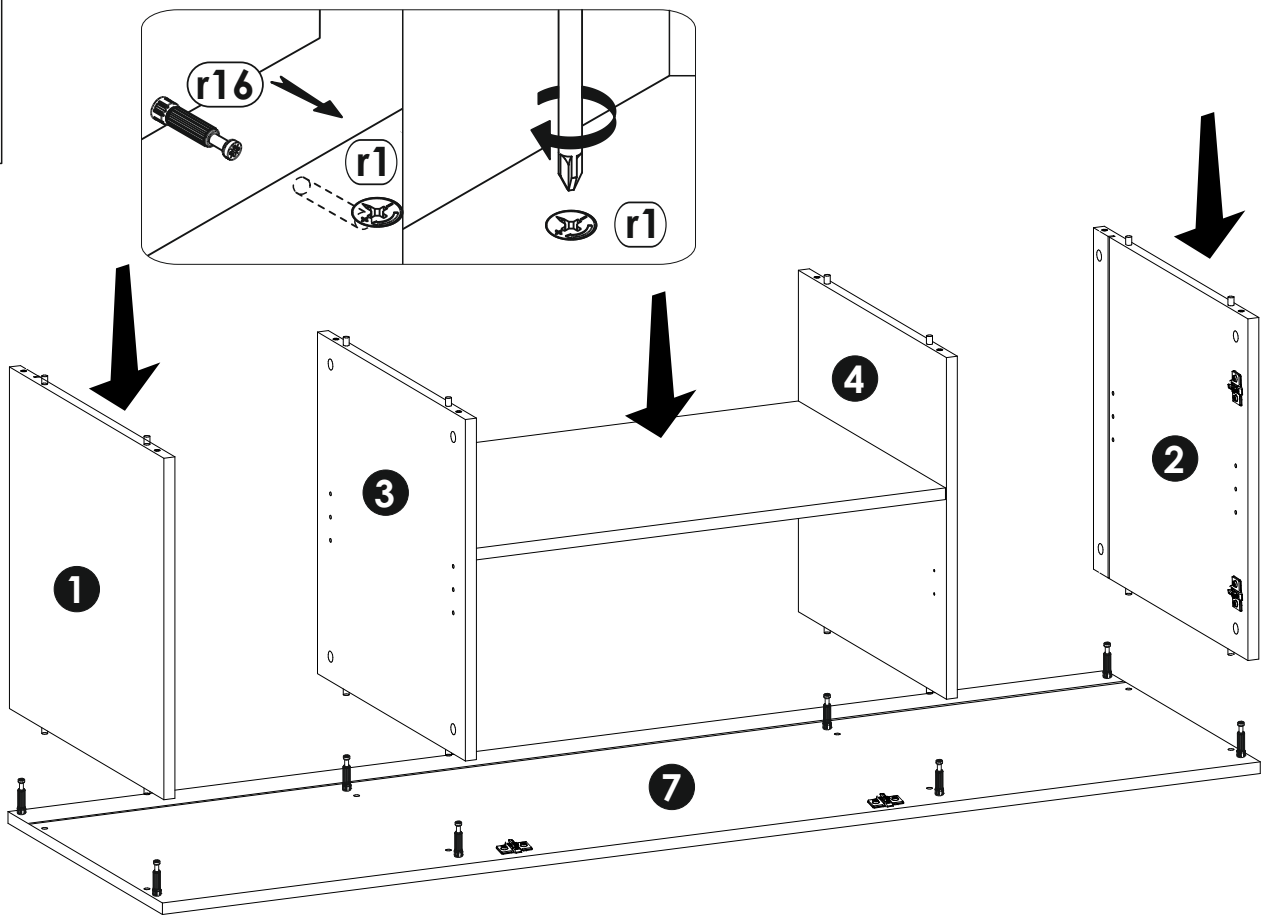




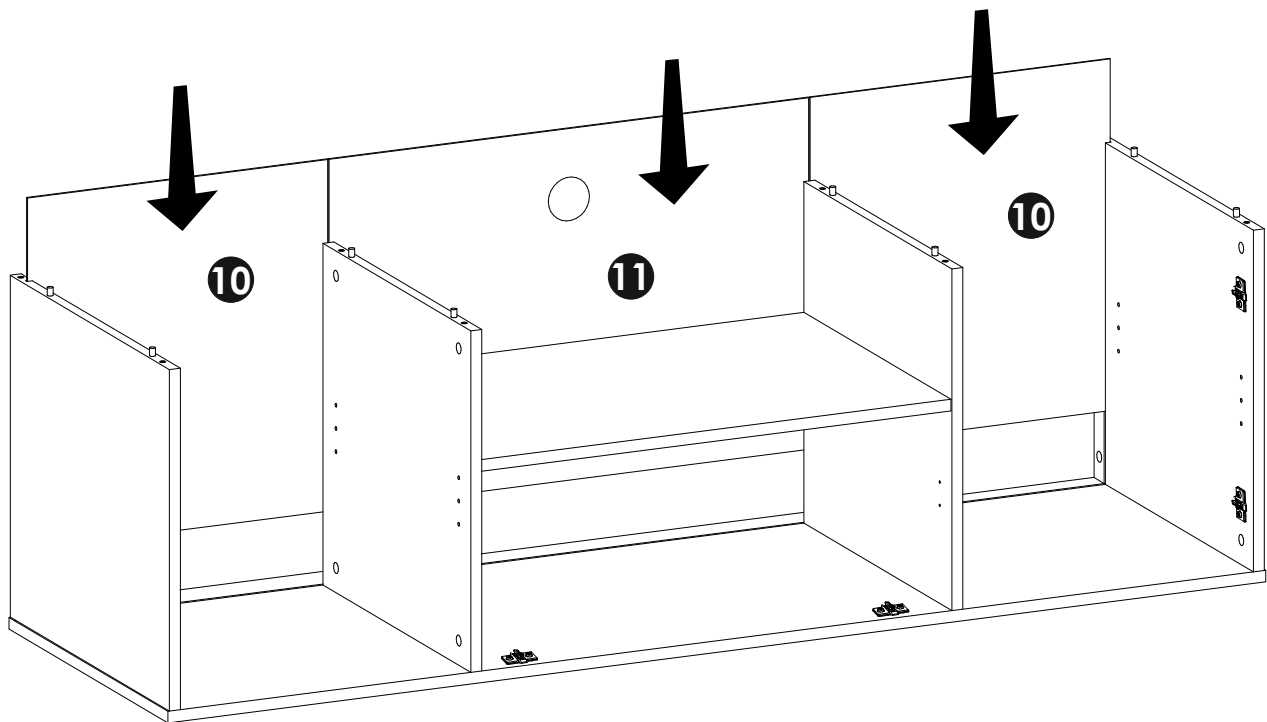
5



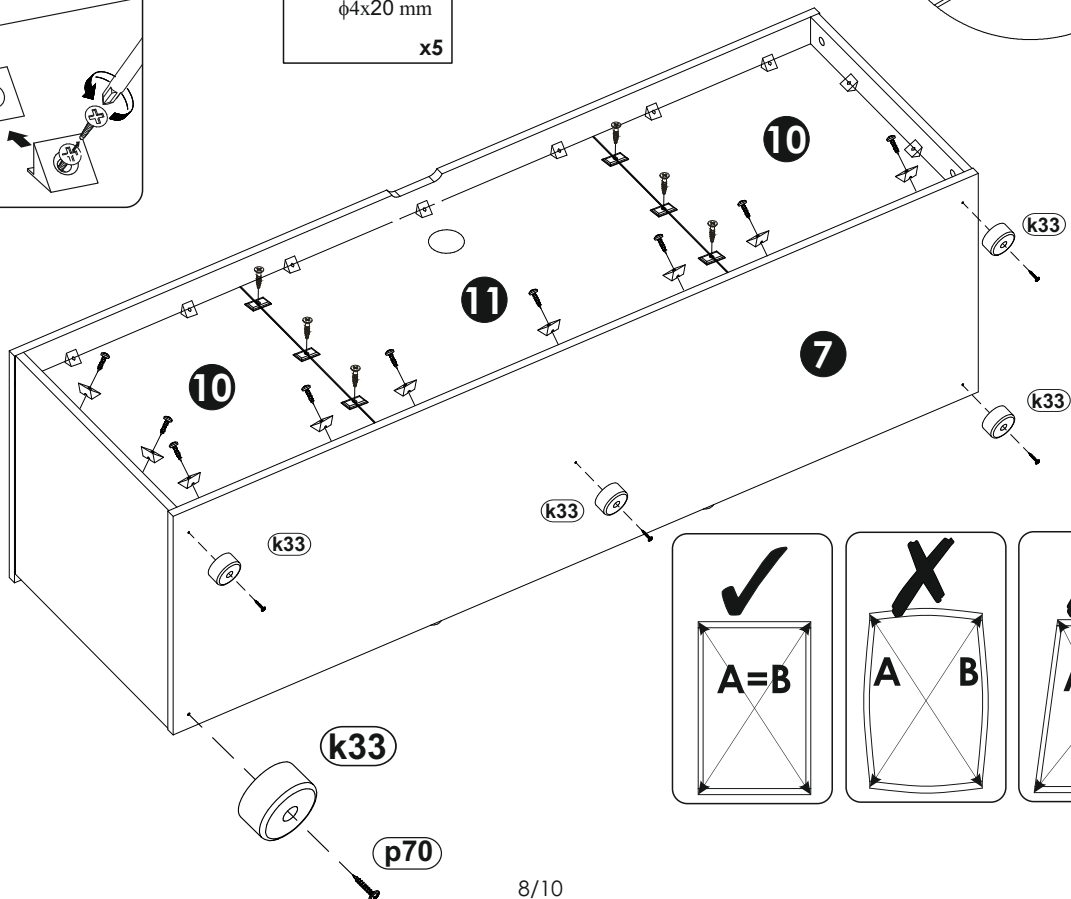
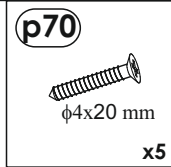
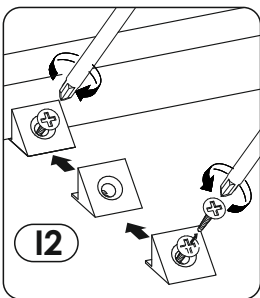
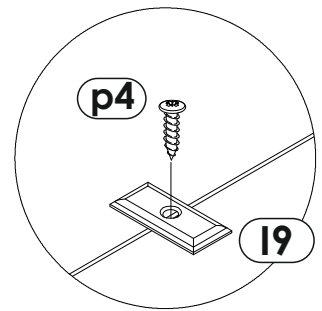
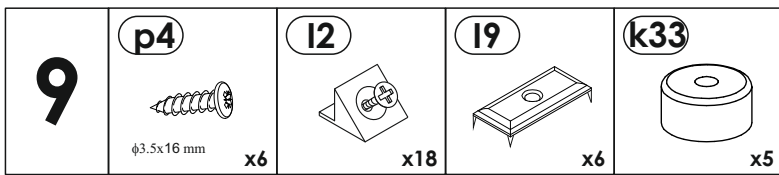
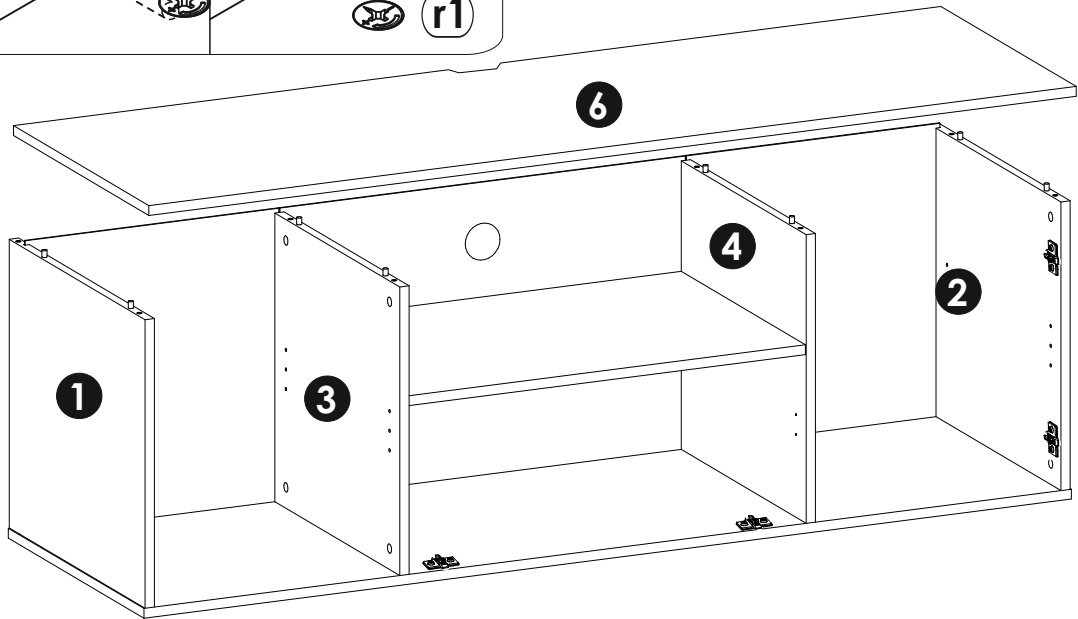
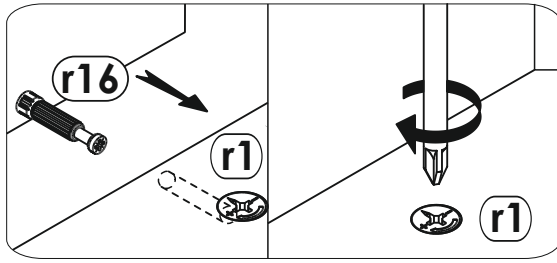
6

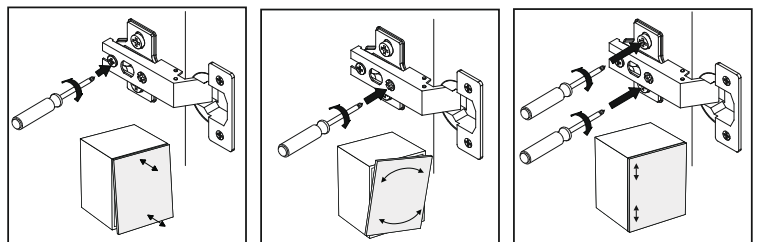
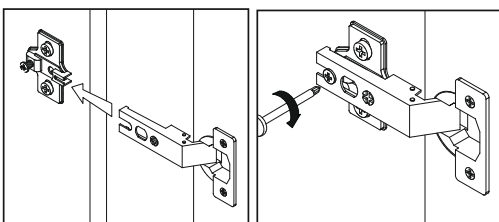
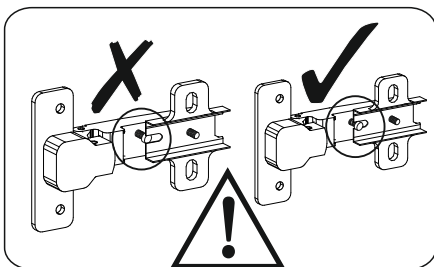
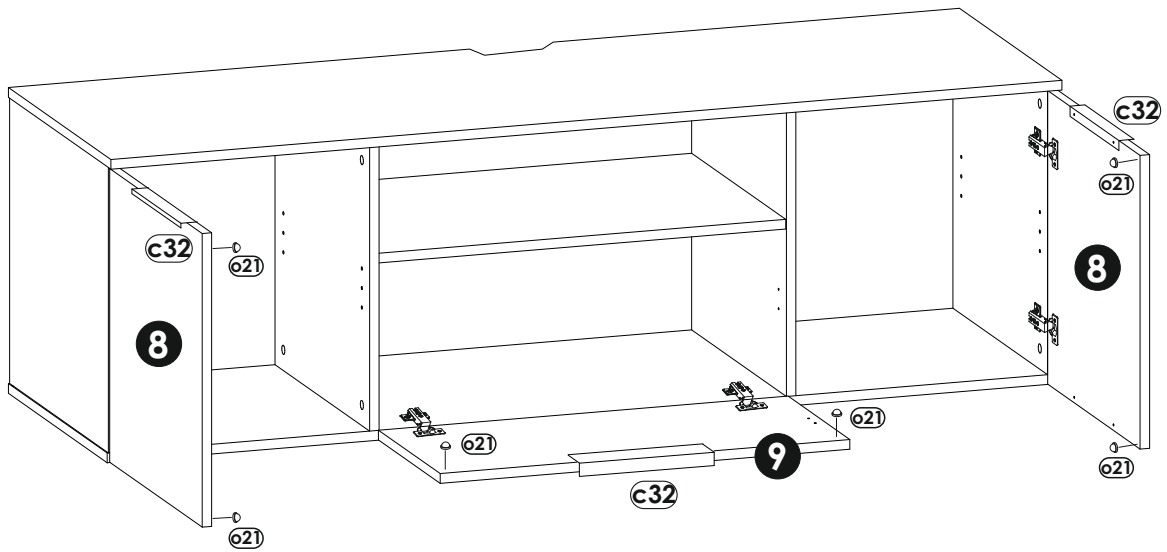
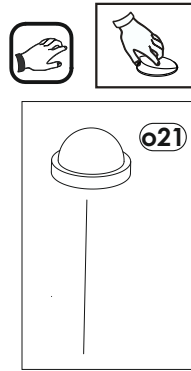
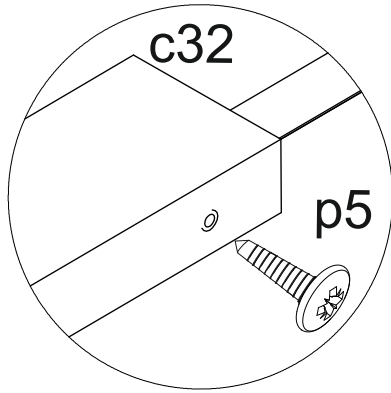
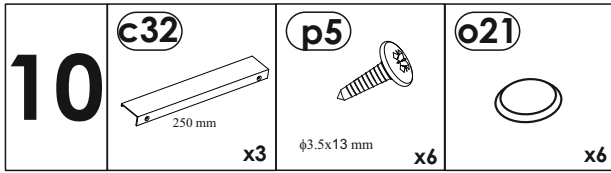




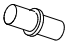
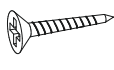
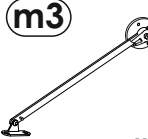
7



8





11	s2/a  x12	s2/b  x8	d1  $\phi 5 \times 17 \text{ mm}$ x8	p1  $\phi 3.5 \times 13 \text{ mm}$ x4	m3  x1
-----------	--	---	--	--	--

