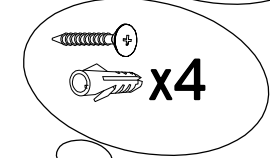
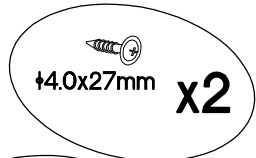
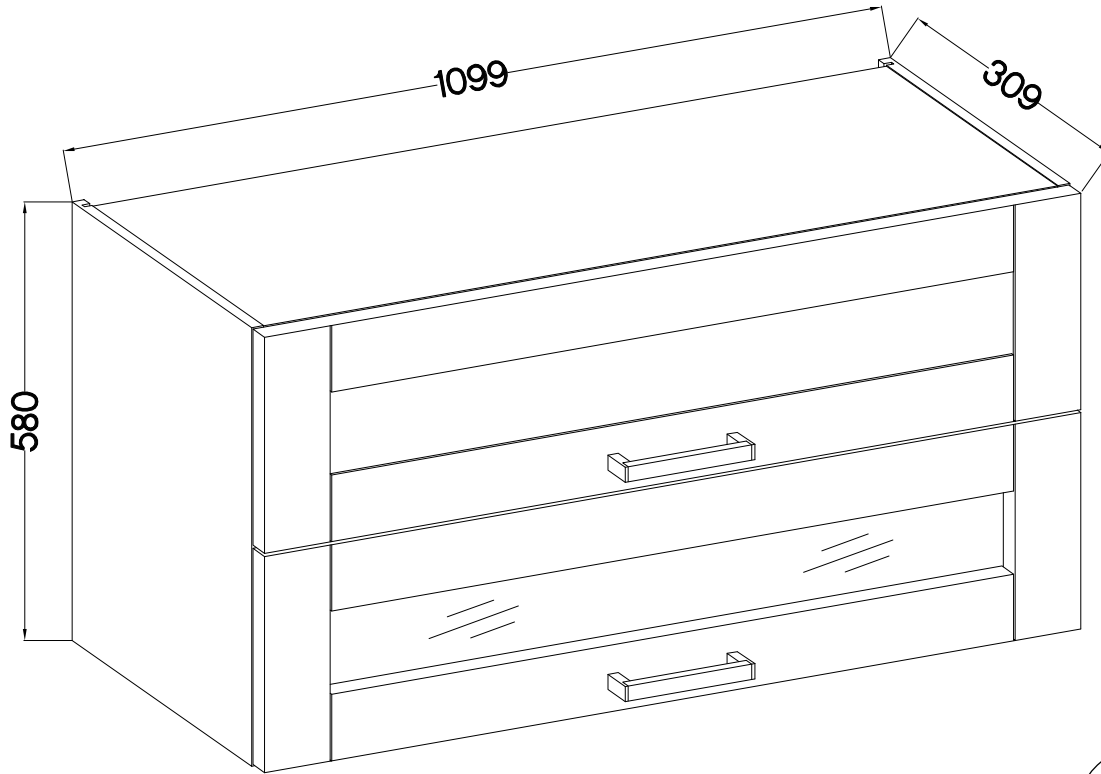
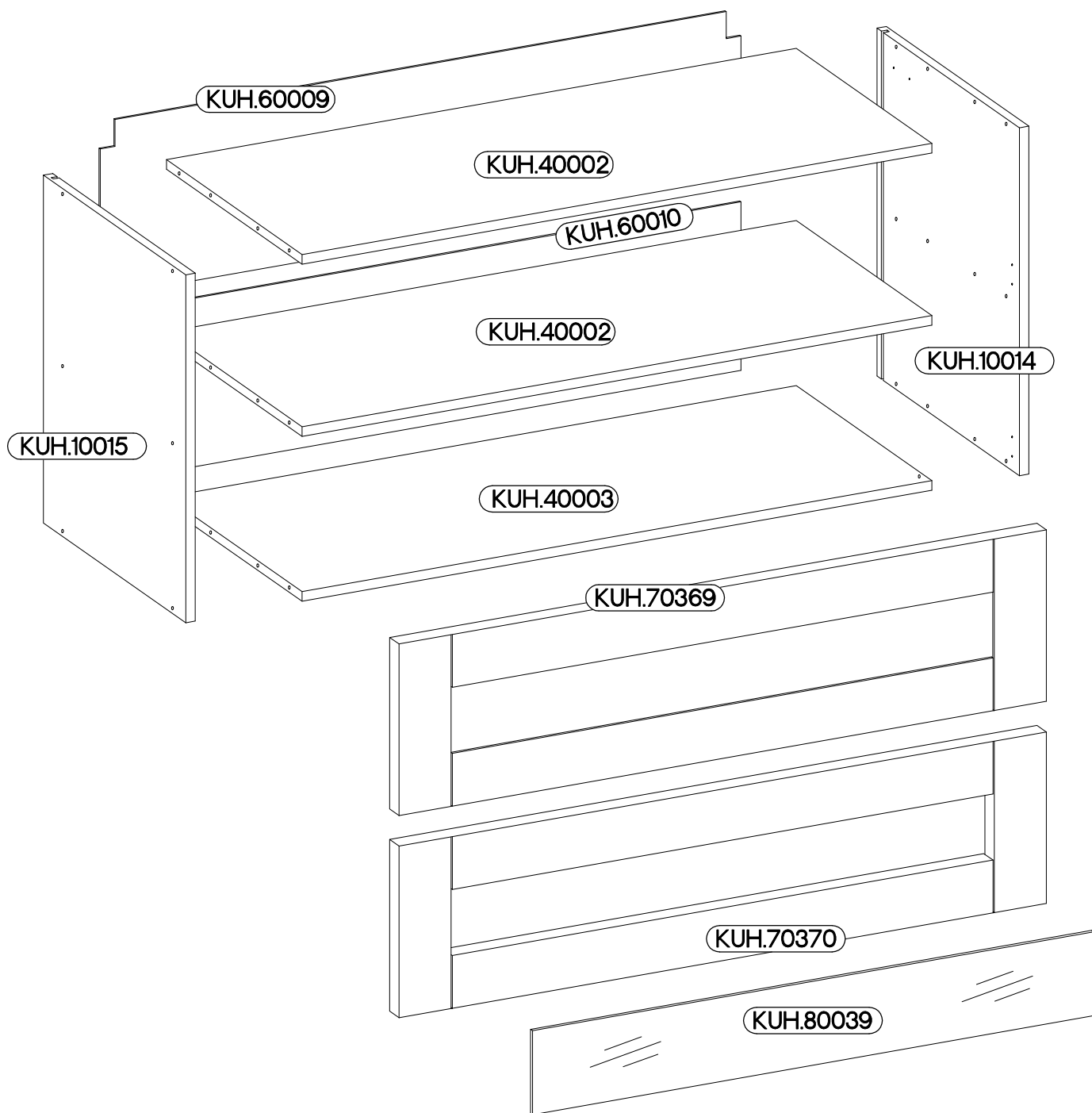


HKKG 110/58 Z



+8x30mm A 12	6,4 x 50mm B 12	 E1 12	+35/0mm HG 4	 J5 4	 J8 8	 K 2	 K16 2	 K24 4	 L2 5
 O 1	+3.5x13mm P5 8	+3.5x20mm P6 8	+3.0x20mm P7 25	+4.0x30mm P8 4	 S 2	M4x27mm U8 4			

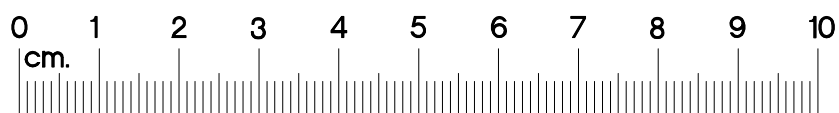
ISM-KUH-01270

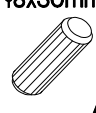

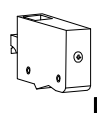


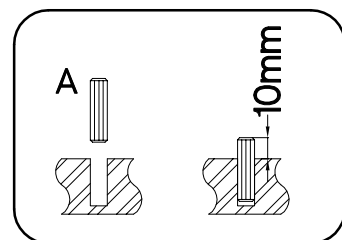
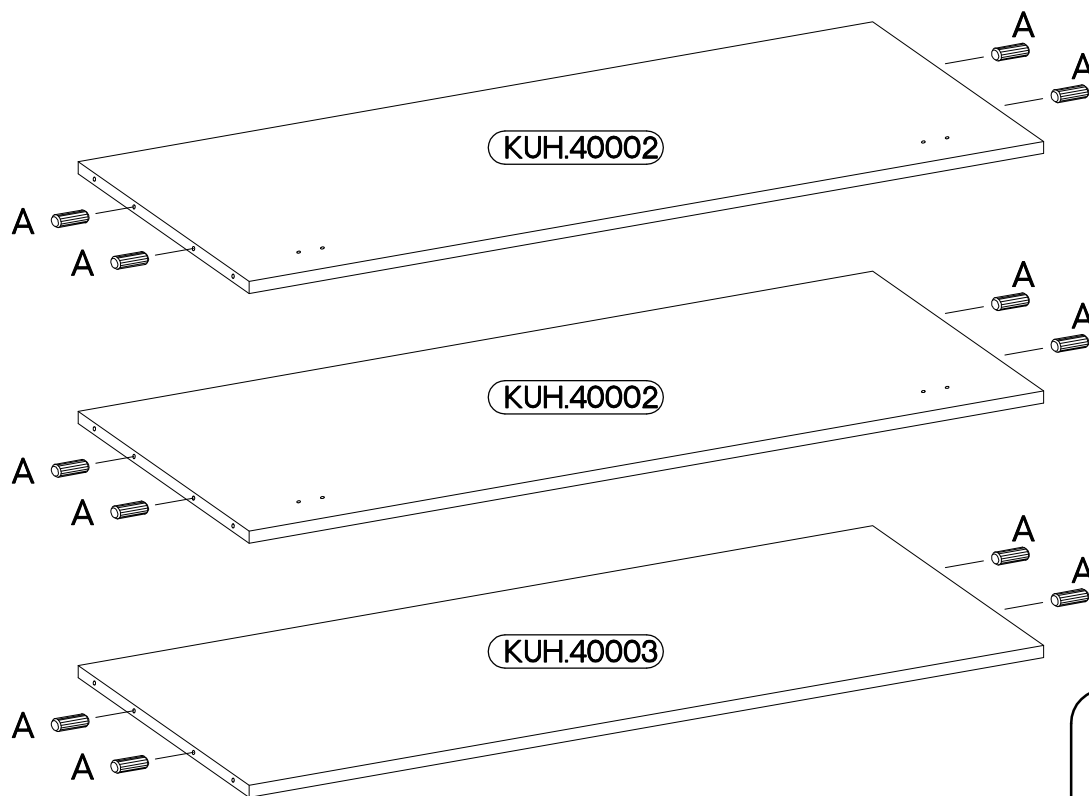
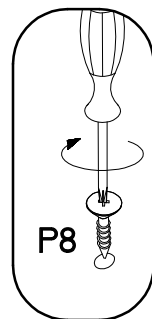
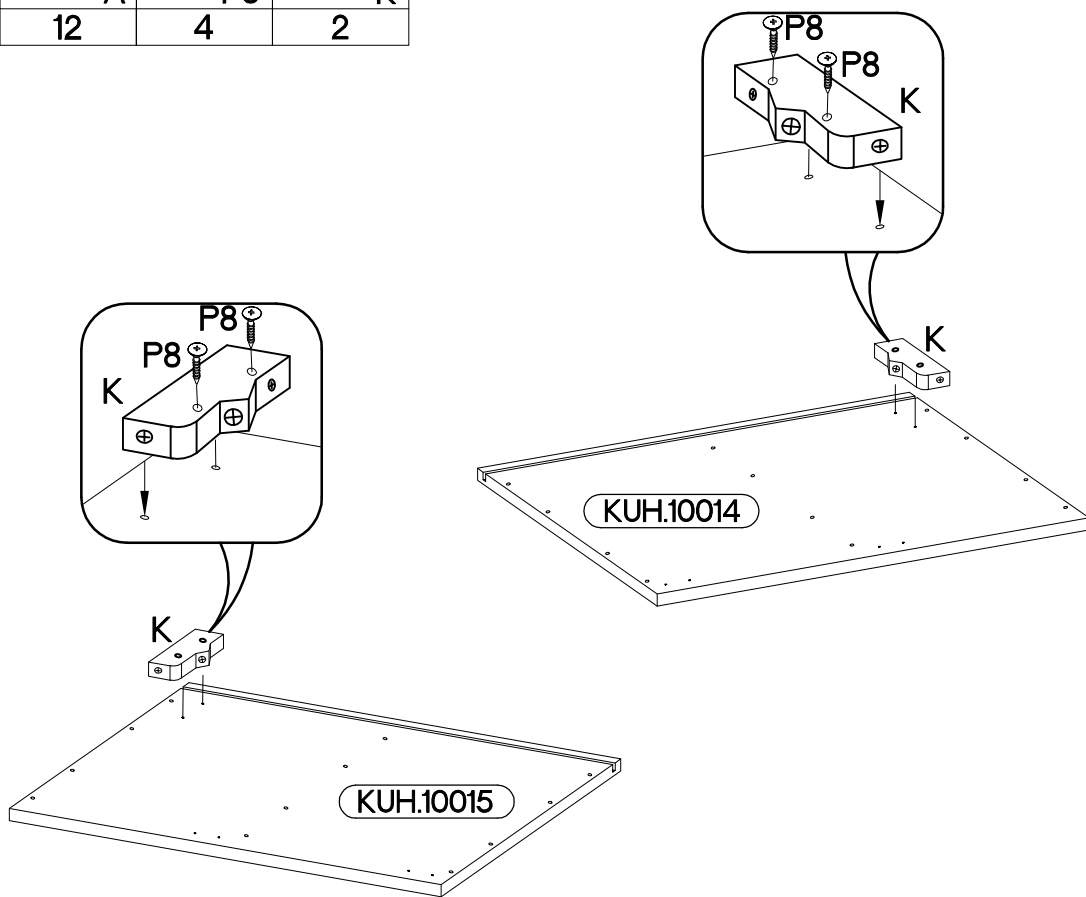
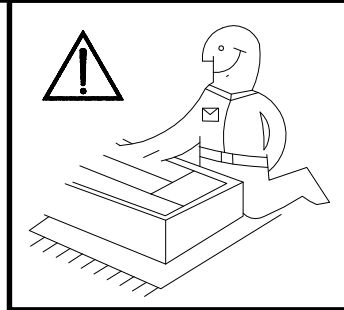
KUH.40002

KUH.40003

5/6	KUH.10014	580x290x16
	KUH.10015	580x290x16
	KUH.40002 x2	1067x276x16
	KUH.40003	1067x276x16
	KUH.60009	292x1085x2,5
	KUH.60010	281x1085x2,5
	KUH.80039	950x140x4
	KUH.70369	1096x286x19
	KUH.70370	1096x286x19

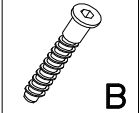


 ø8x30mm A	 4.0x30mm P8	 K
12	4	2



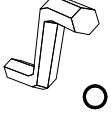
2

6,4 x 50mm



B

6



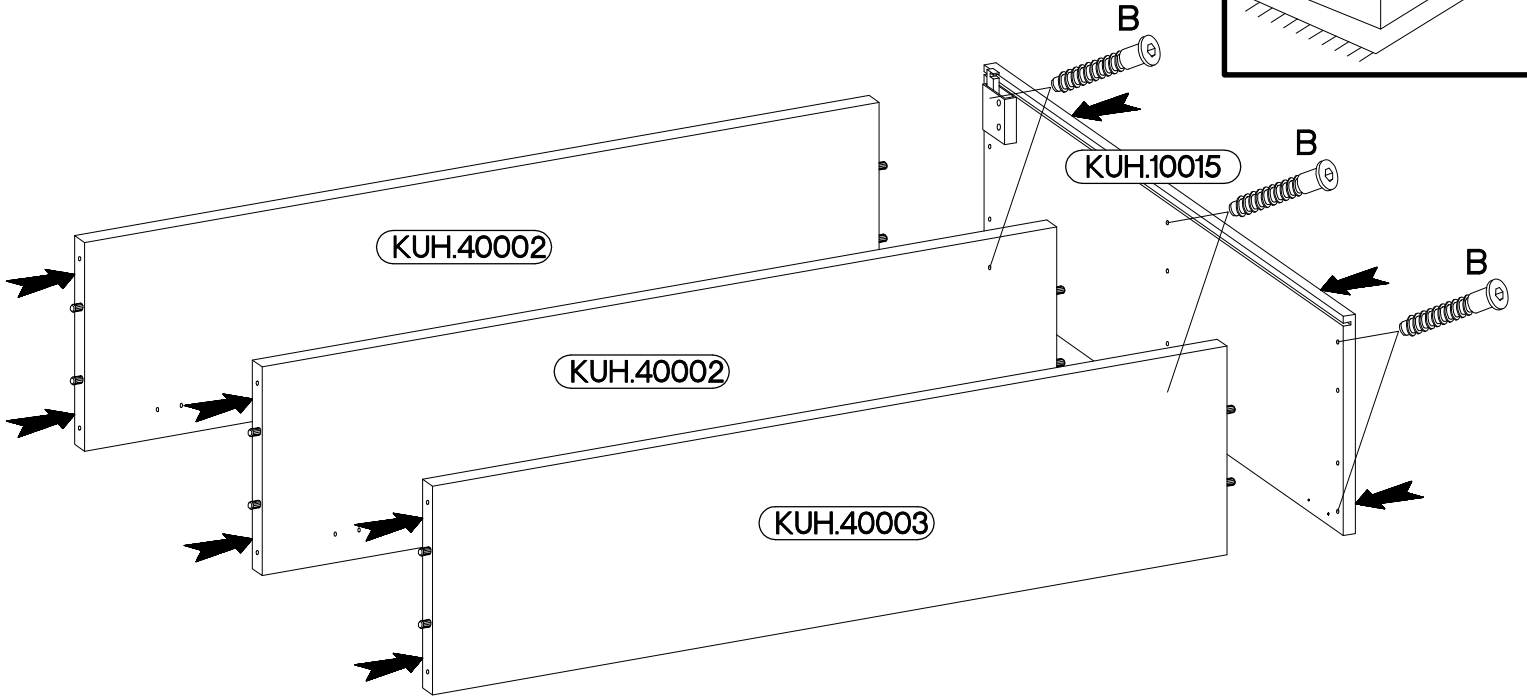
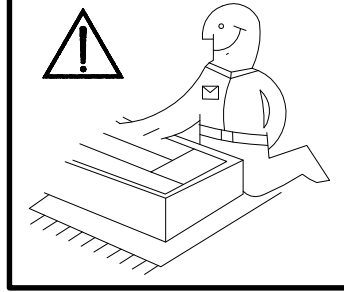
O

1

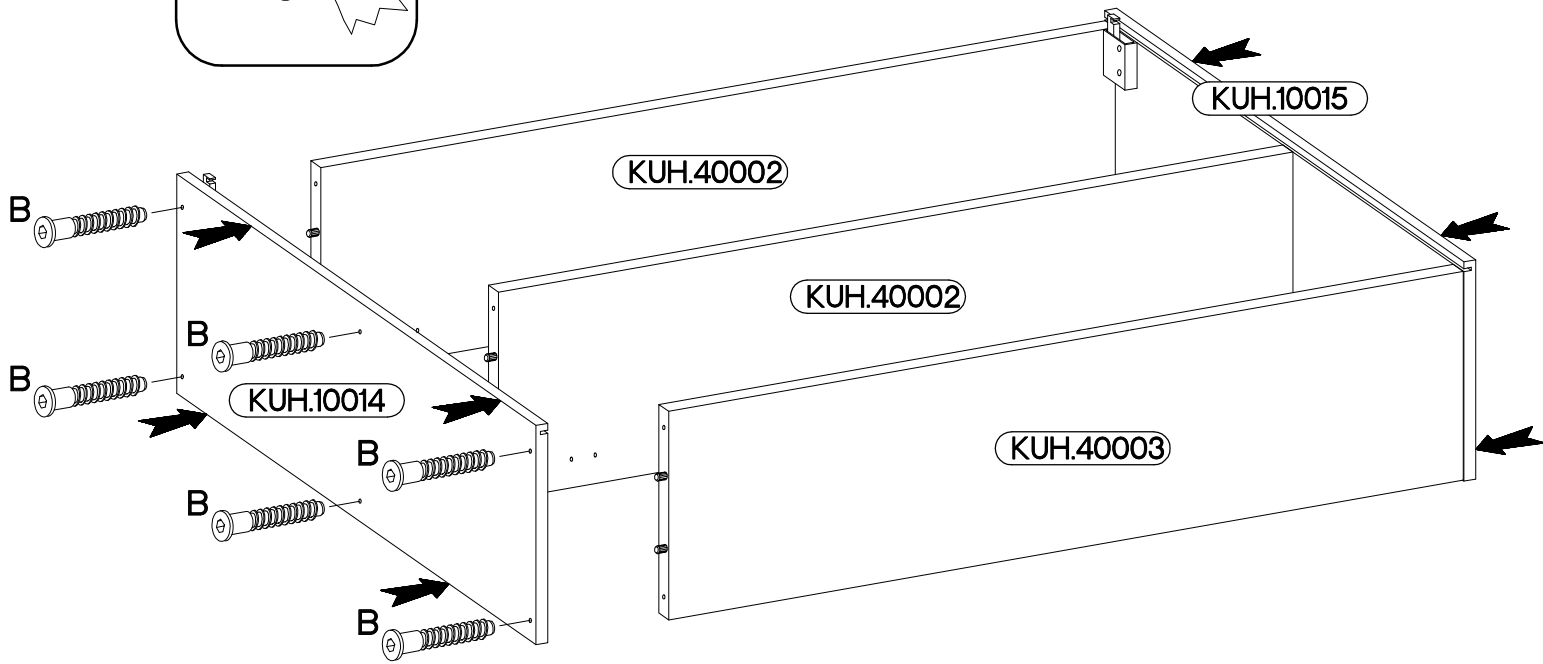
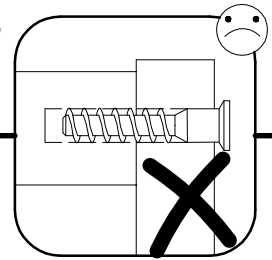
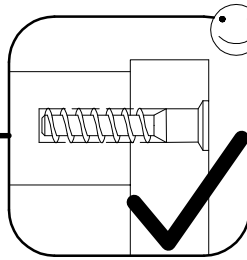
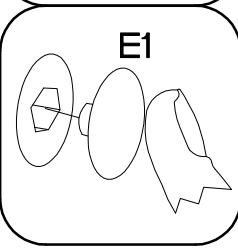
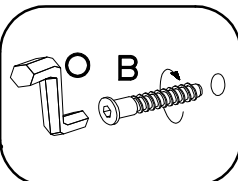


E1

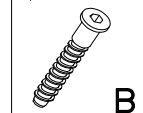
6



3

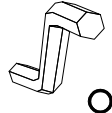


6,4 x 50mm



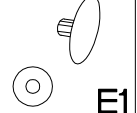
B

6



O

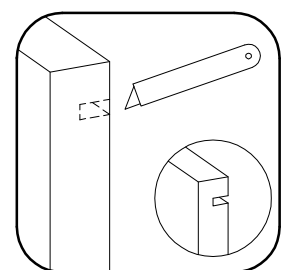
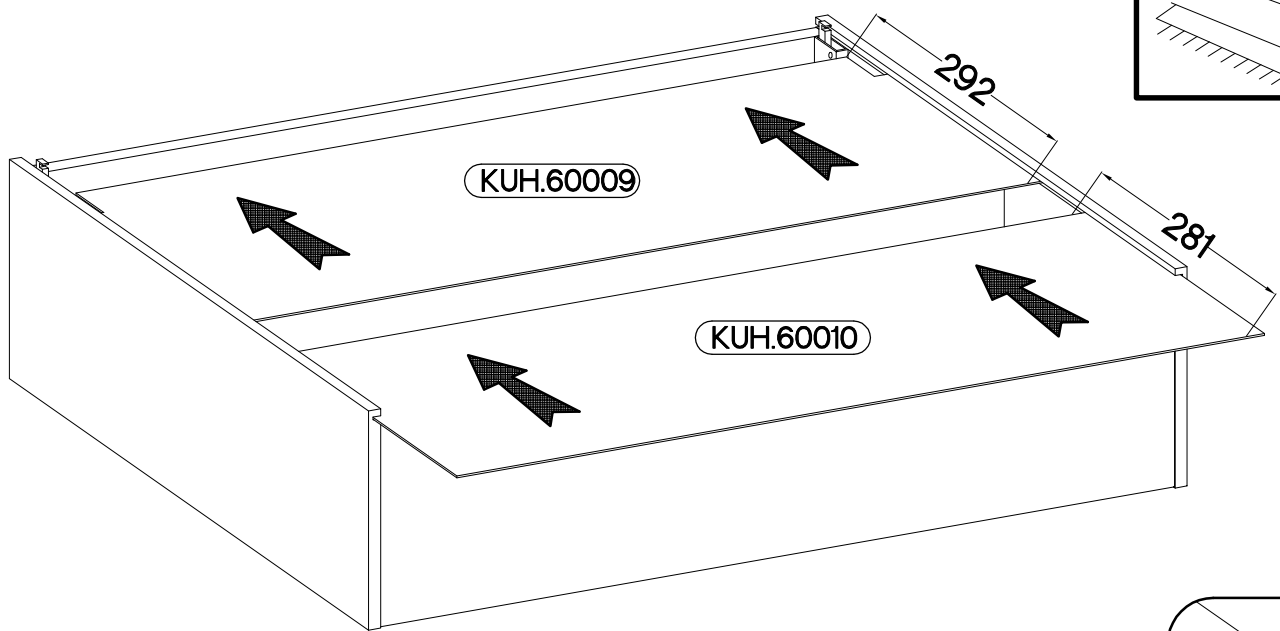
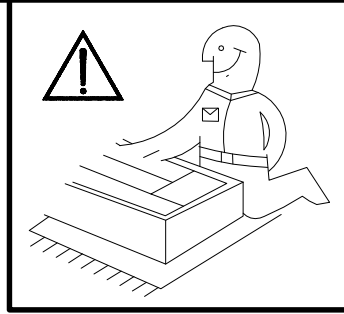
1



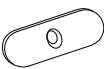
E1

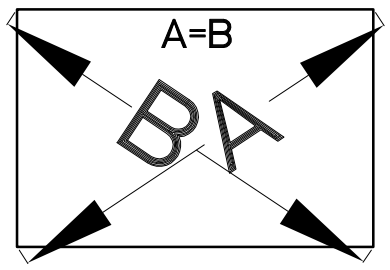
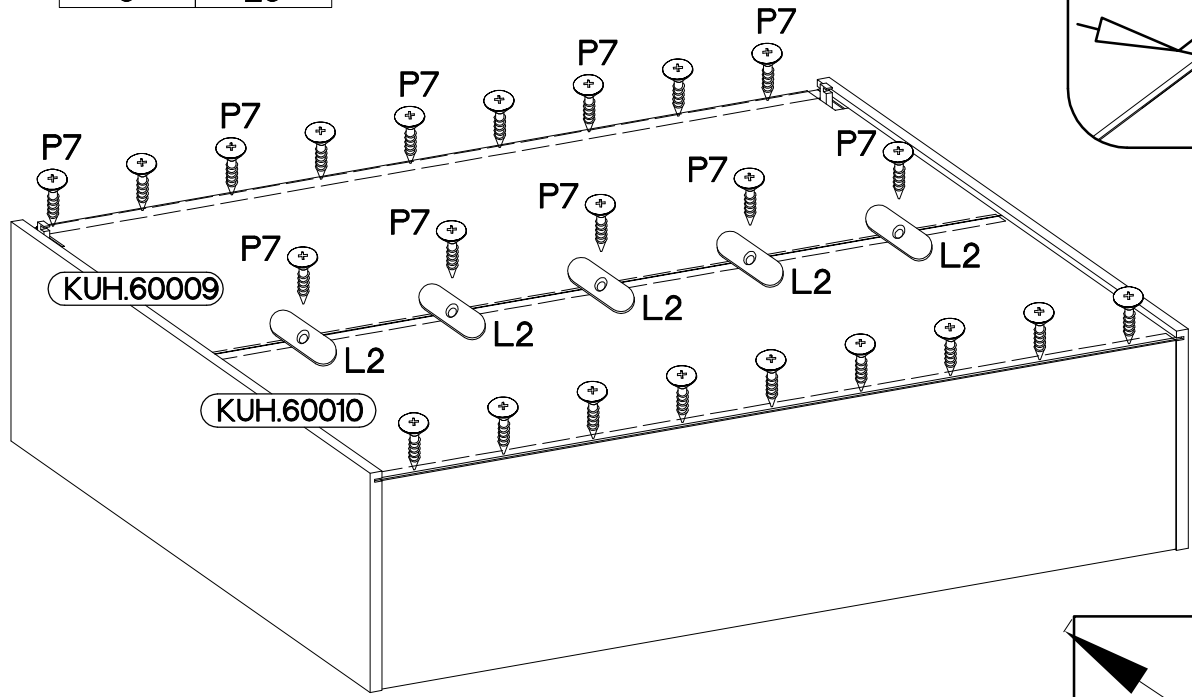
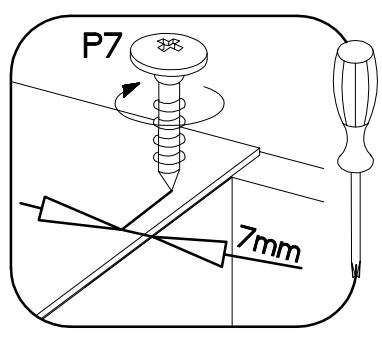
6

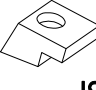

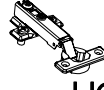

4

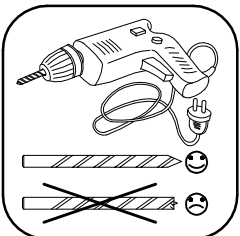
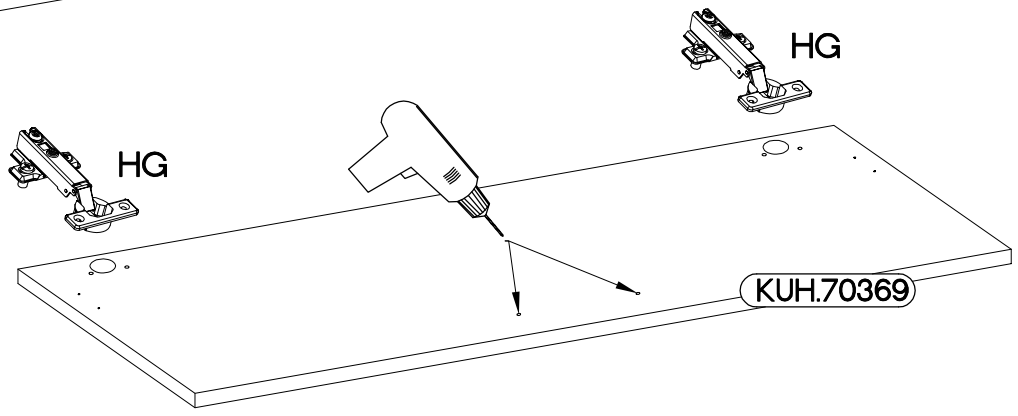
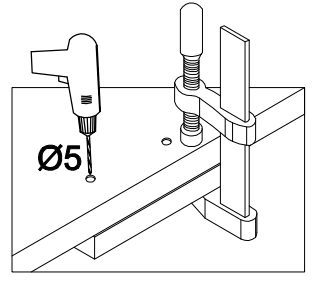
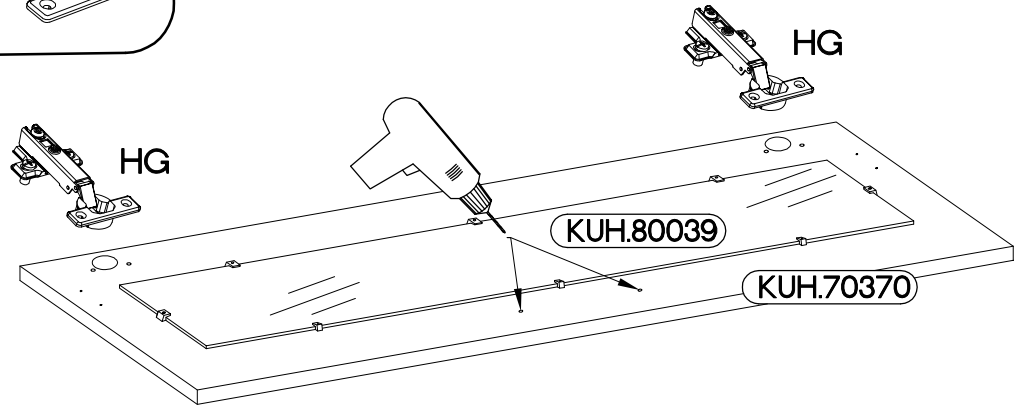
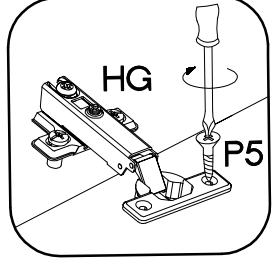
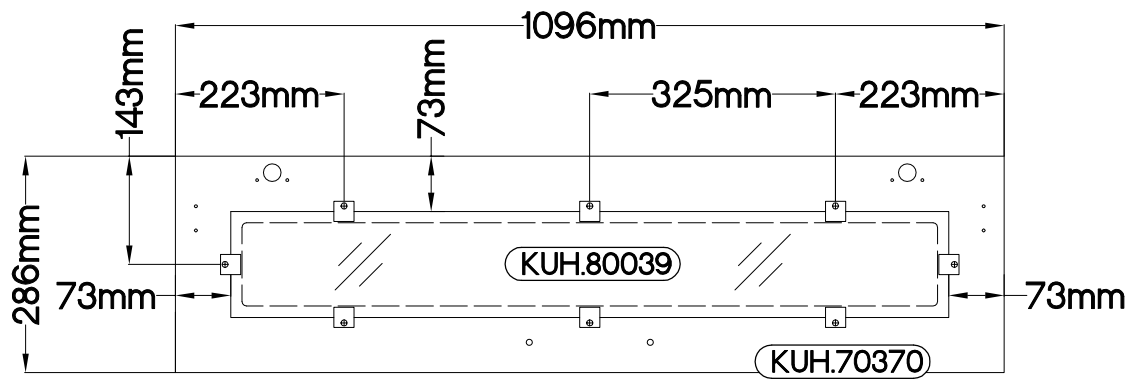
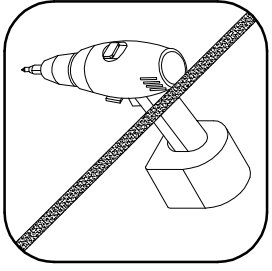
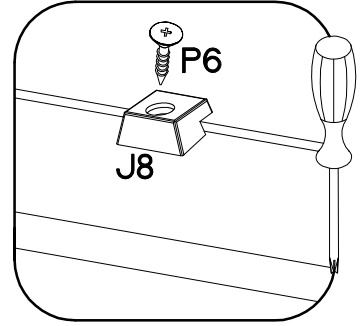
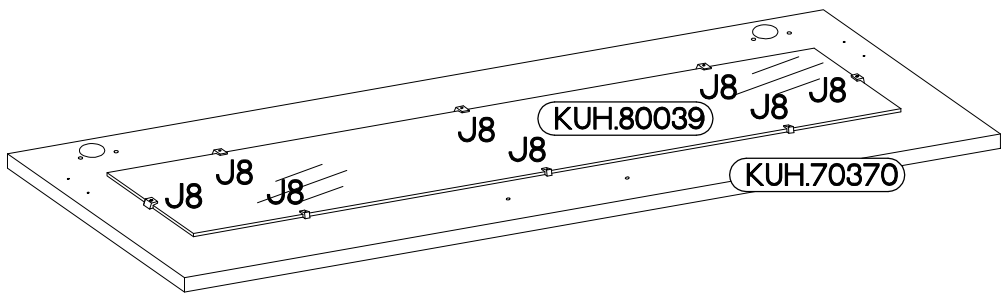
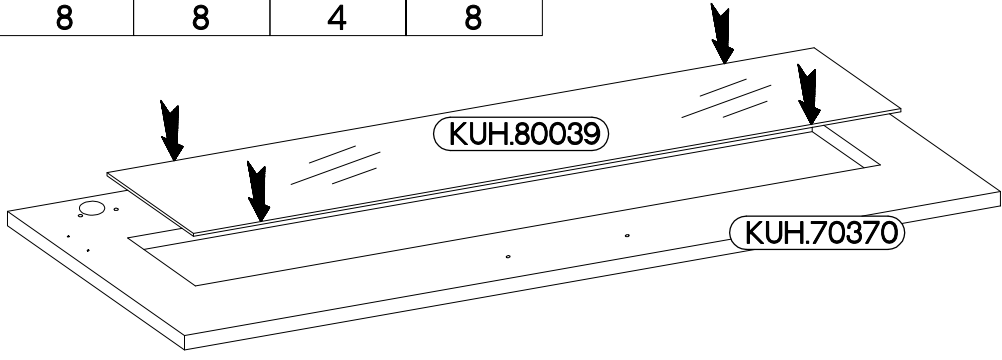
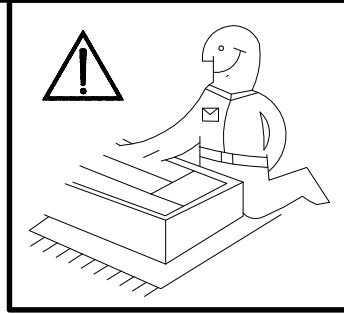


5

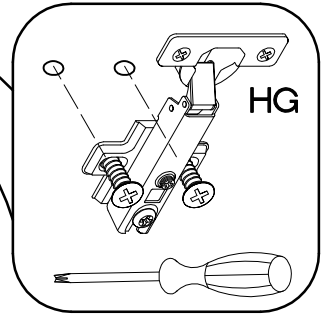
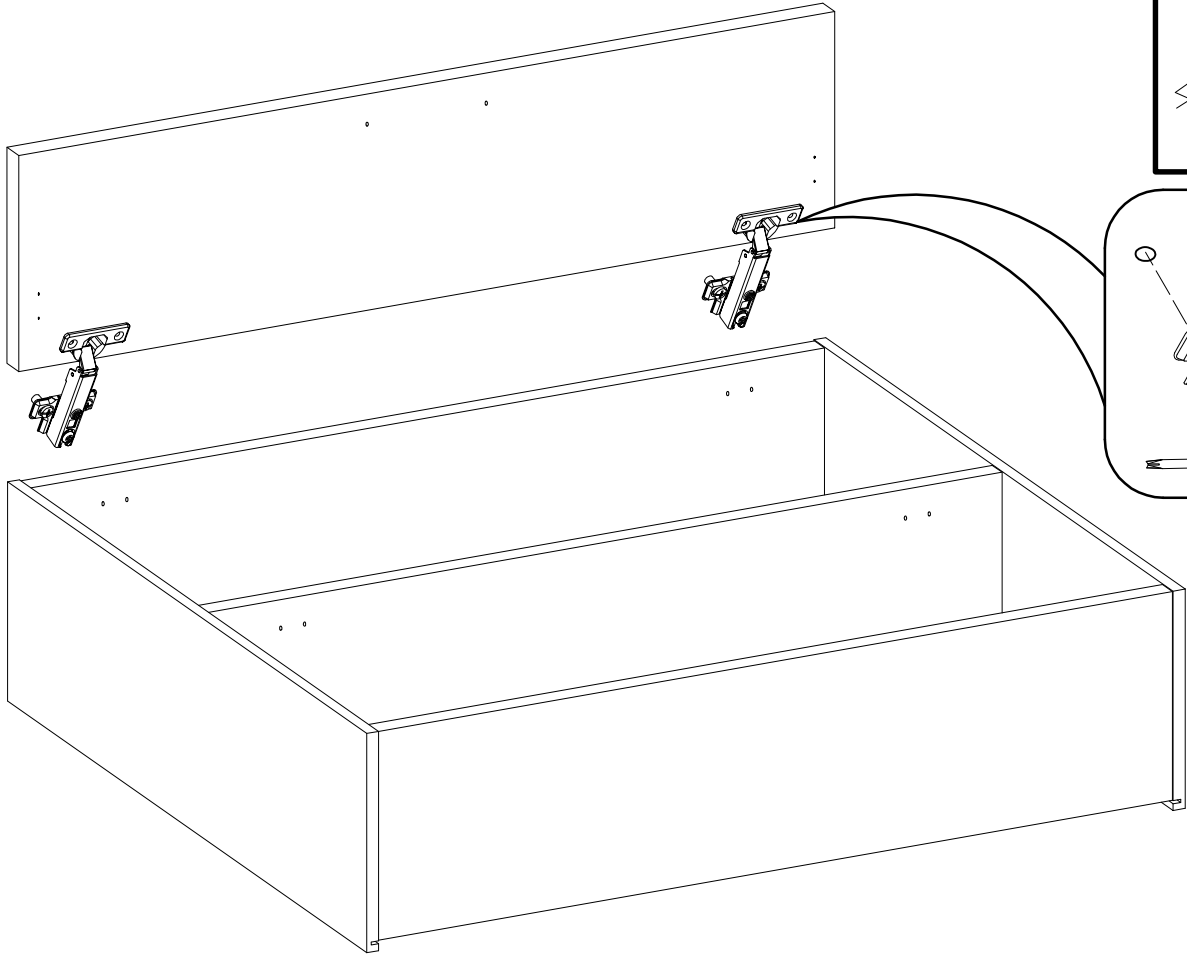
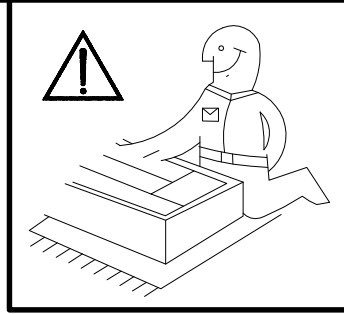
	±3.0x20mm
L2	P7
5	25



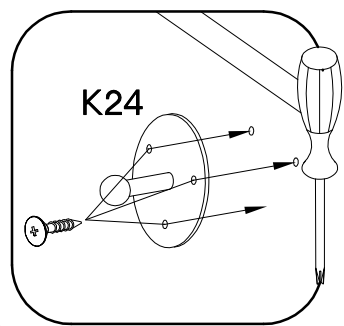
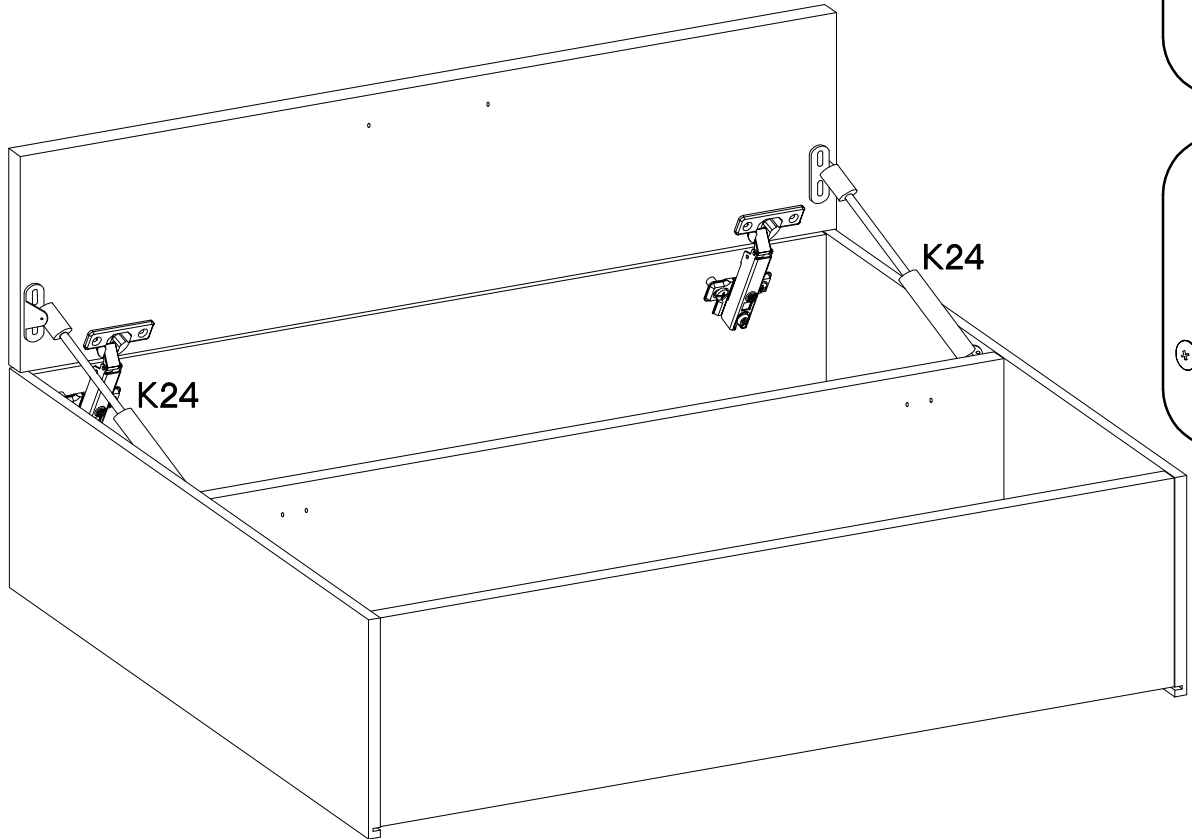
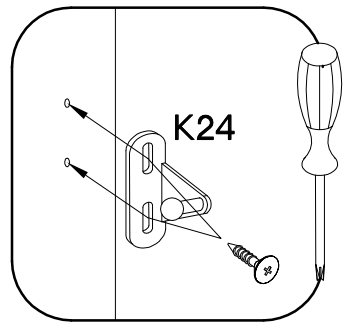
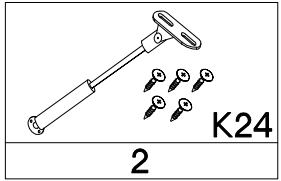
	±3.5x20mm 	±35/0mm 	±3.5x13mm 
J8	P6	HG	P5
8	8	4	8



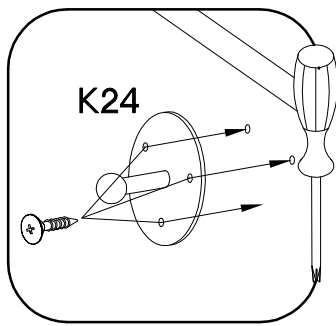
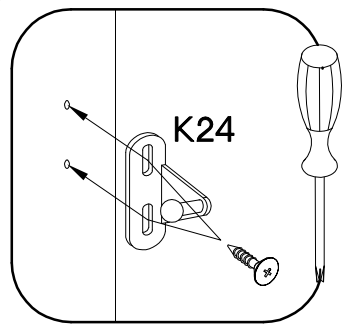
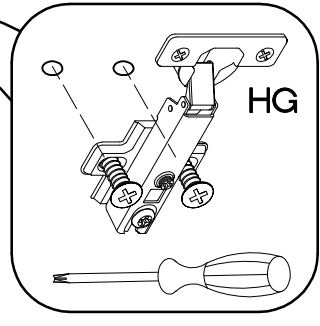
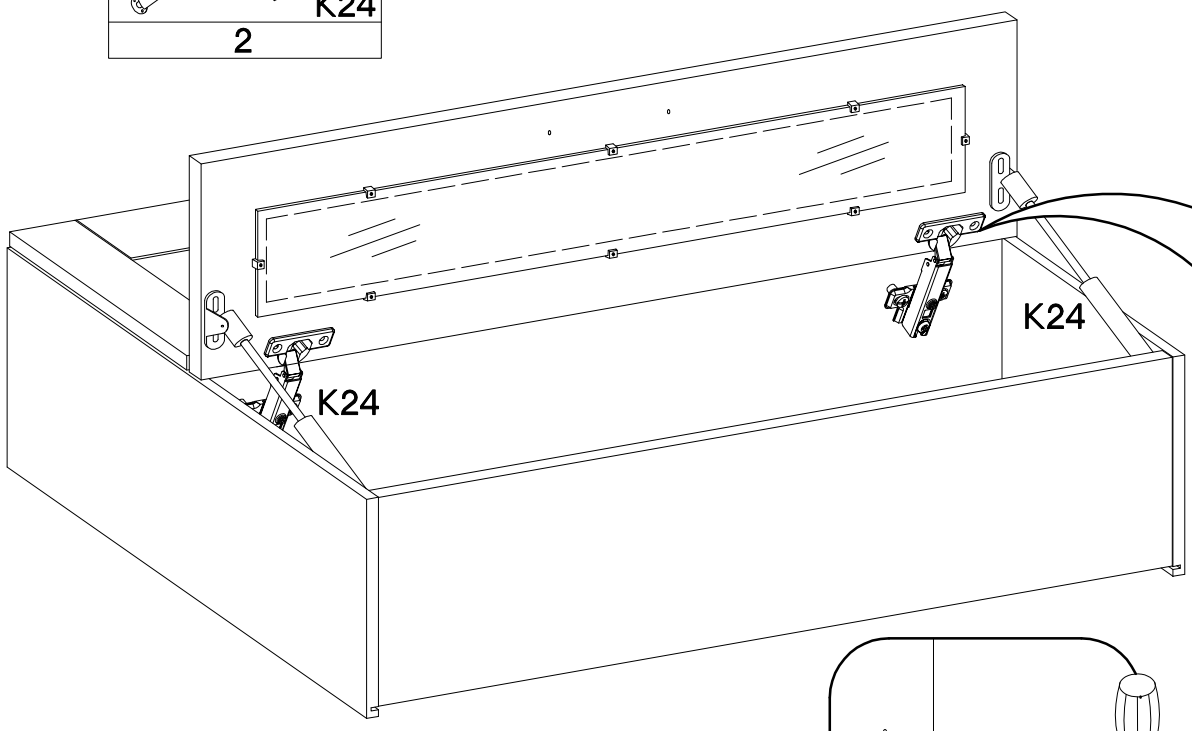
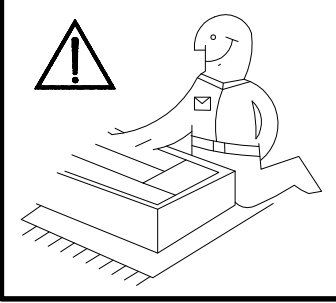
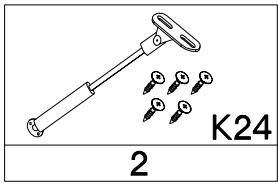
7



8



9



10

