
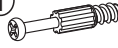



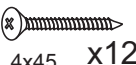
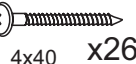
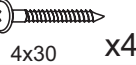


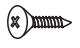







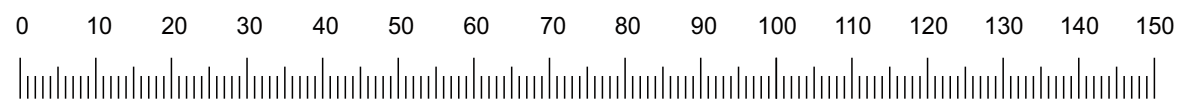
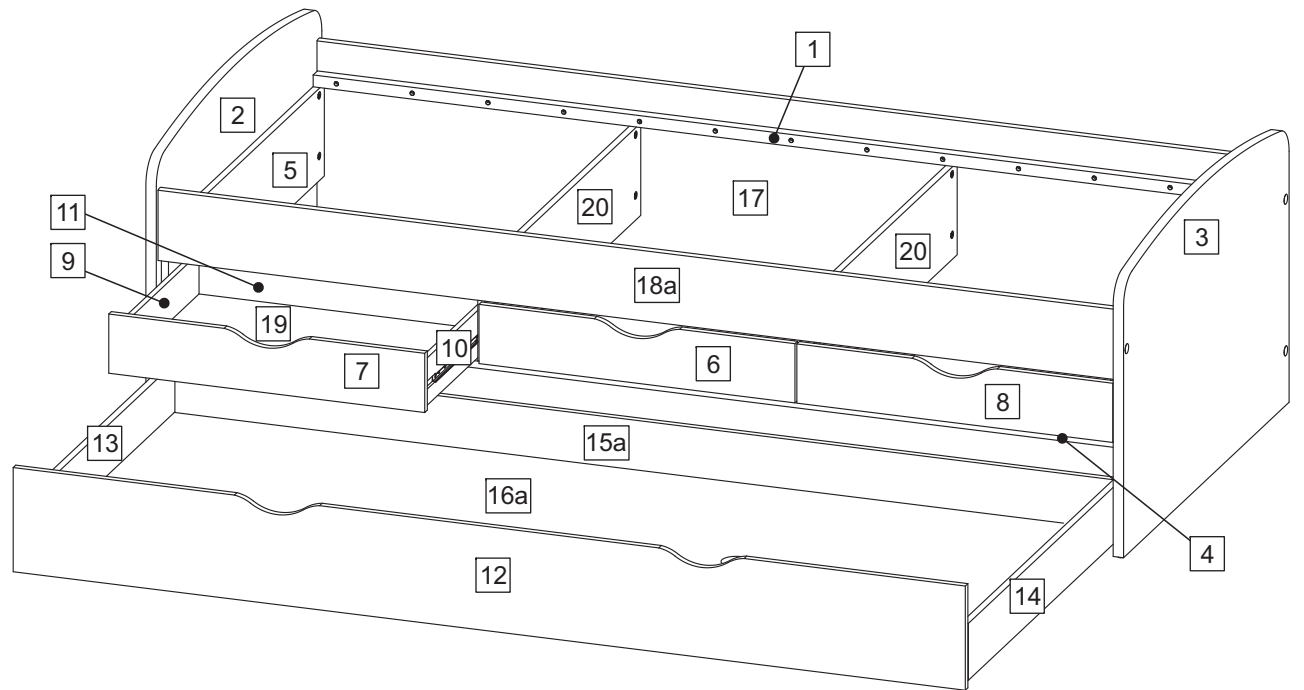


Beschläge - Colli 2

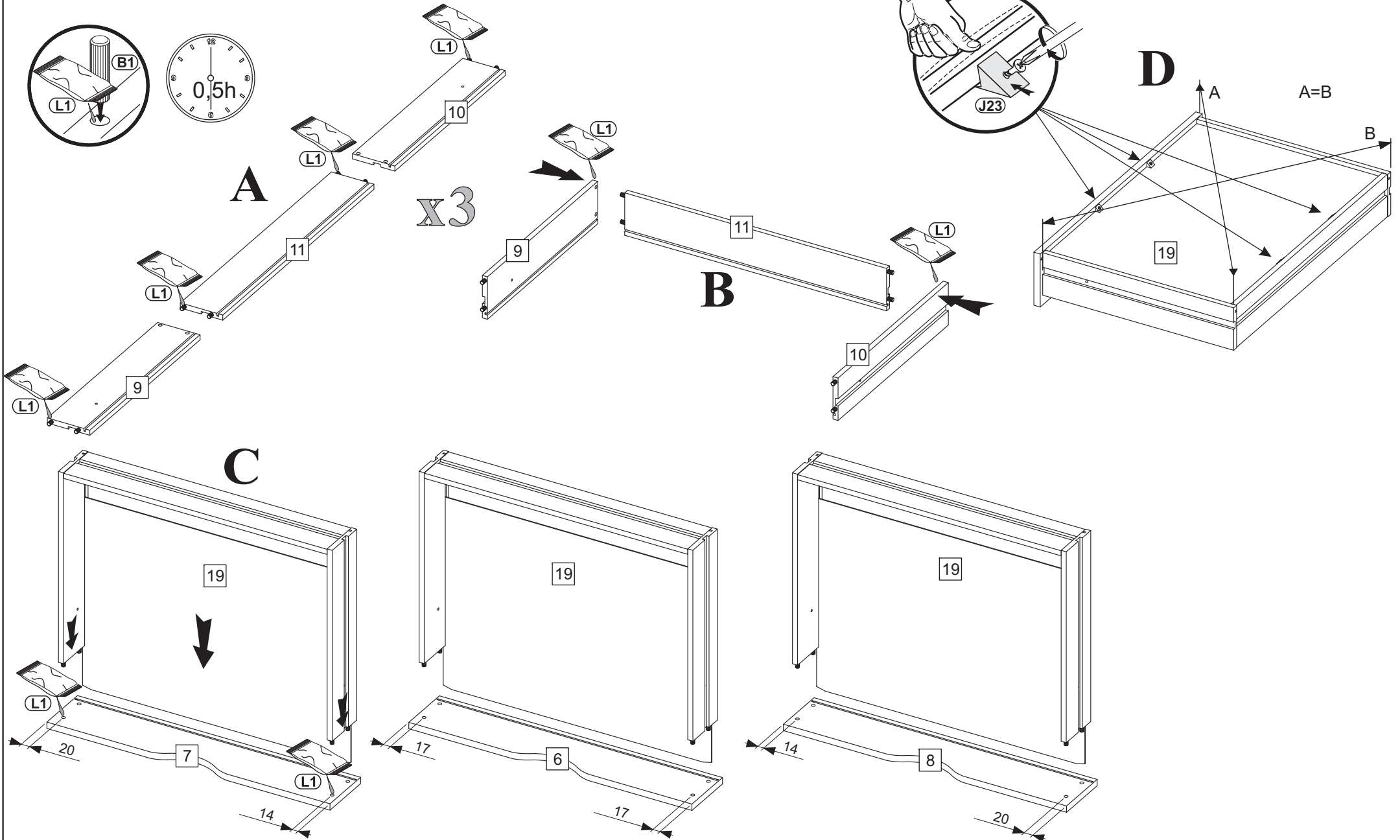
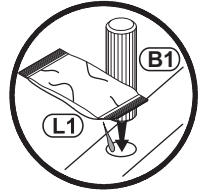
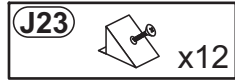
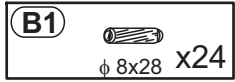
<b>B1</b>		φ 8x28 x64
<b>T1</b>		x26
<b>M1</b>		x26
<b>K2</b>		7x70 x6
<b>C2</b>		φ 20 x6
<b>S15</b>		4x45 x12
<b>P7</b>		4x40 x26
<b>P5</b>		4x30 x4
<b>F15</b>		x4

<b>I4</b>		x6
<b>S3</b>		3,5x13 x12
<b>R11</b>		350 x6
<b>E4</b>		6,0x8 x12
<b>A1</b>		M4x9 x6
<b>J23</b>		x12
<b>L1</b>		x2
<b>L21</b>		x4
<b>P13</b>		3,5x13 x16


Nr	Ausmaß	St	Colli
1	1984 25 25	2	3
2	960 630 22	1	2
3	960 630 22	1	2
4	2020 180 15	1	3
5	904 195 15	2	2
6	667 125 15	1	3
7	667 125 15	1	3
8	667 125 15	1	3
9	450 100 12	3	3
10	450 100 12	3	3
11	621 100 12	3	3
12	2010 220 15	1	3
13	900 120 15	1	1
14	900 120 15	1	1
15	1982 104 15	1	1
16	1982 900 15	1	1
17	2020 520 18	1	3
18	2020 150 18	1	3
19	632 449 2	3	3
20	904 195 15	2	2

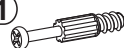


1




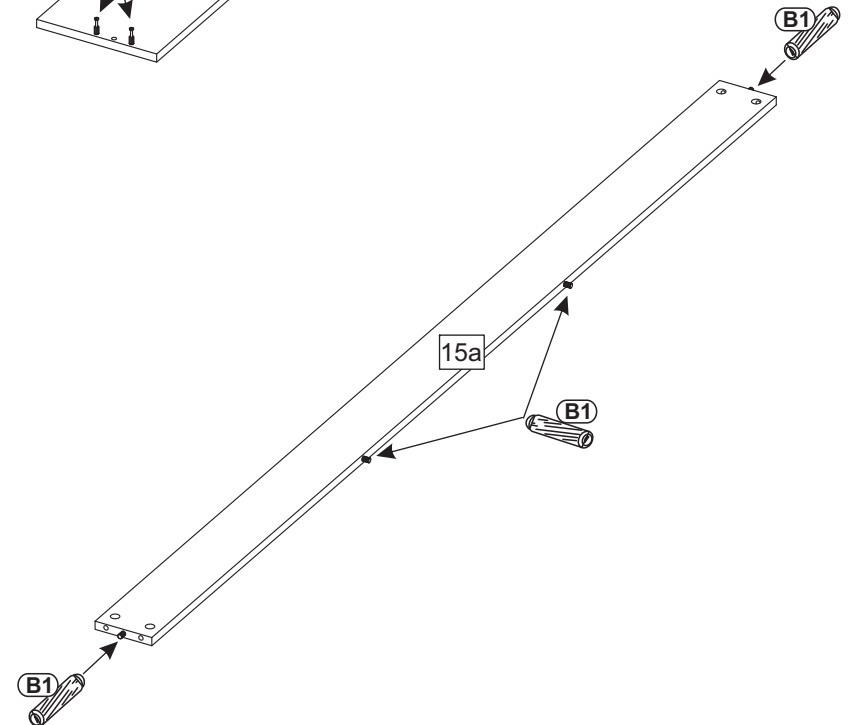
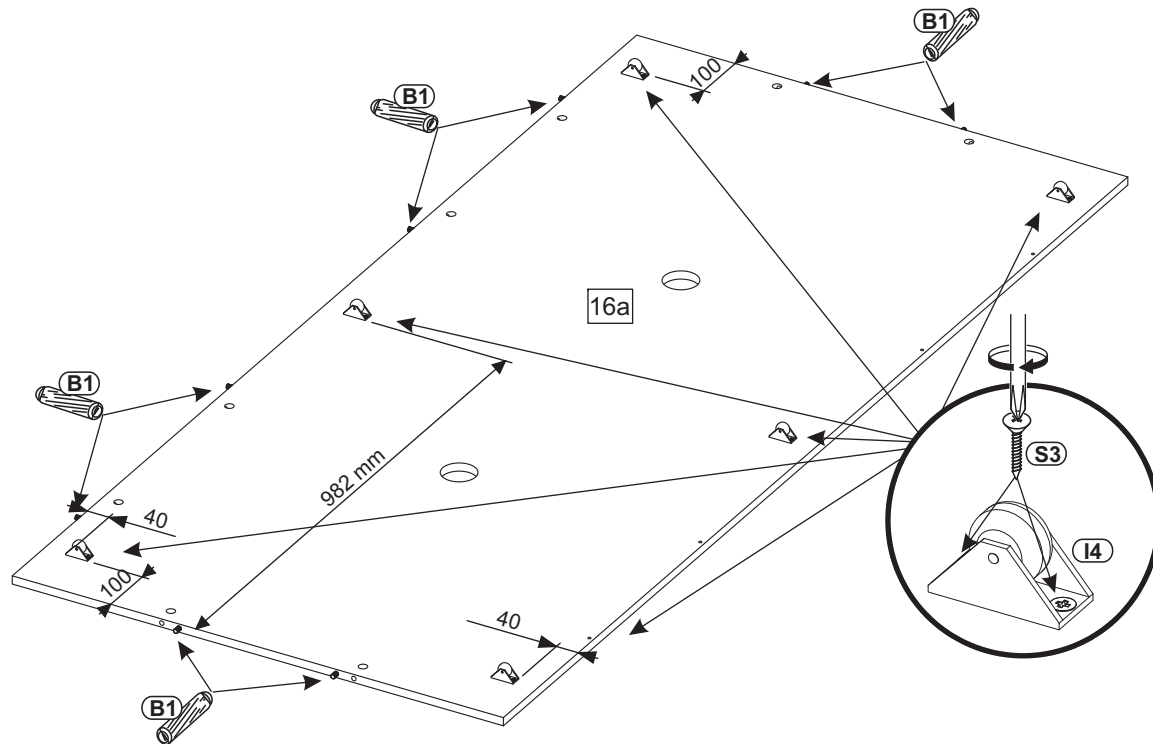
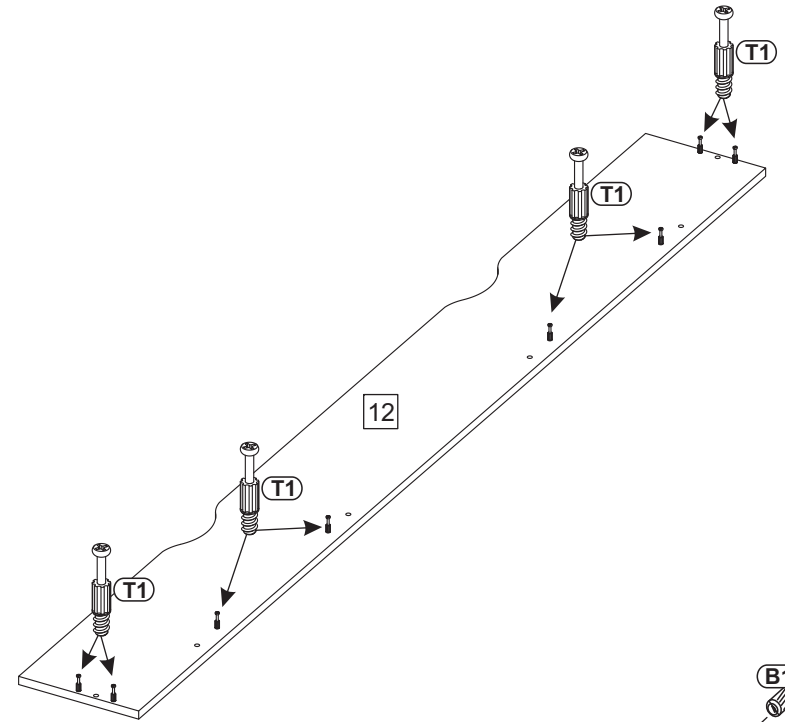
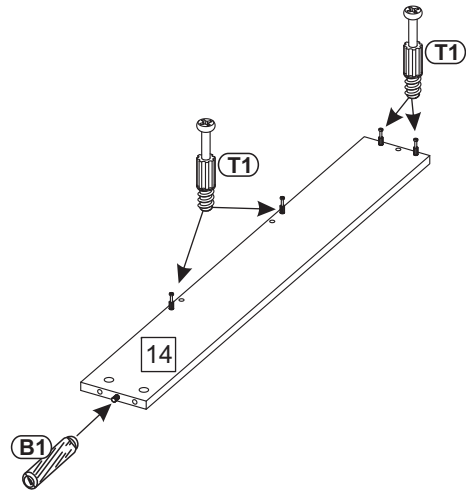
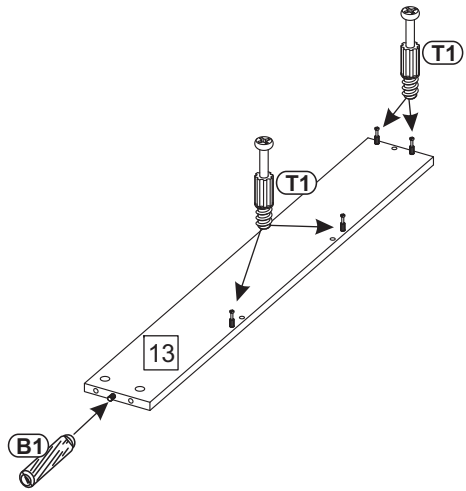
2

**B1**   $\phi 8 \times 28$  x14

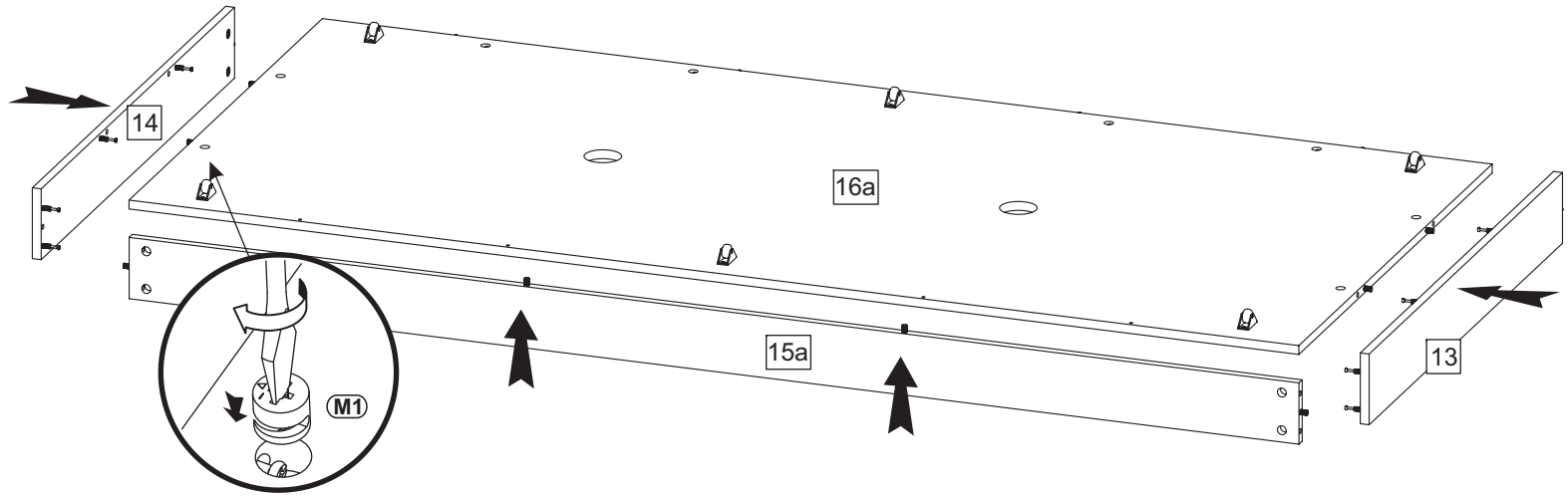
**T1**  x16

**I4**  x6

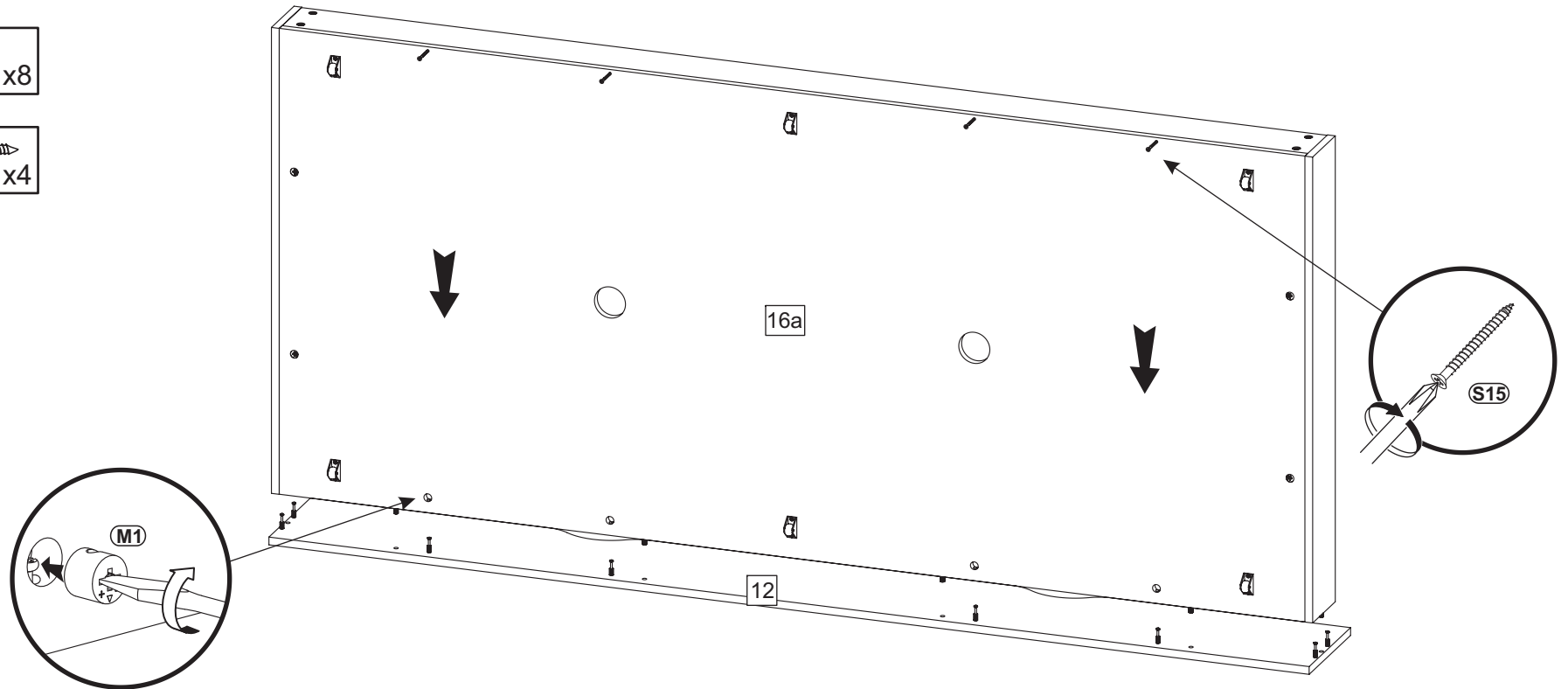
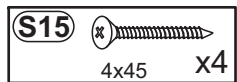
**S3**  3,5x13 x12



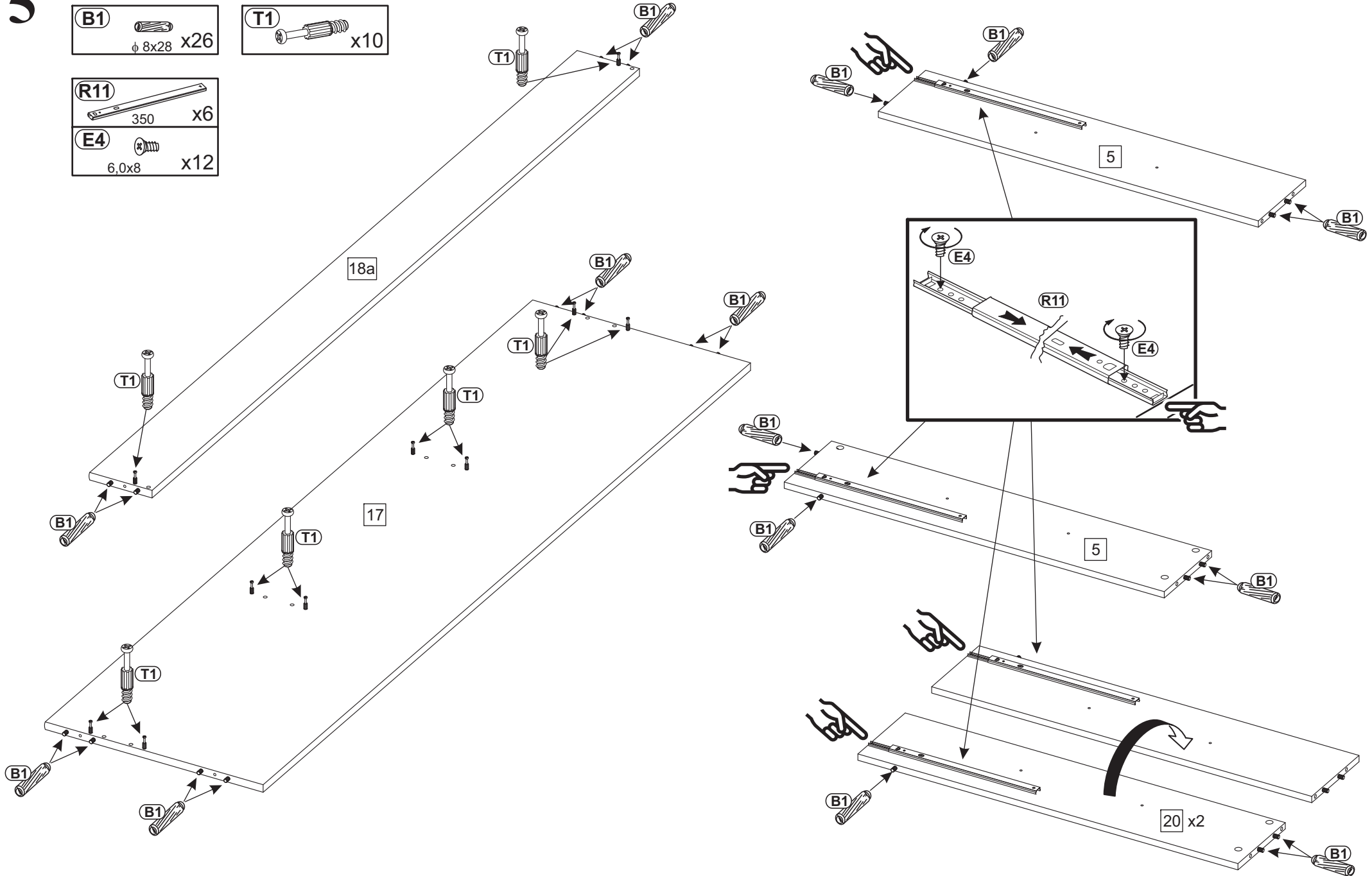
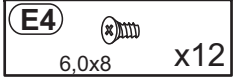
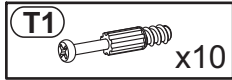
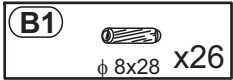
3



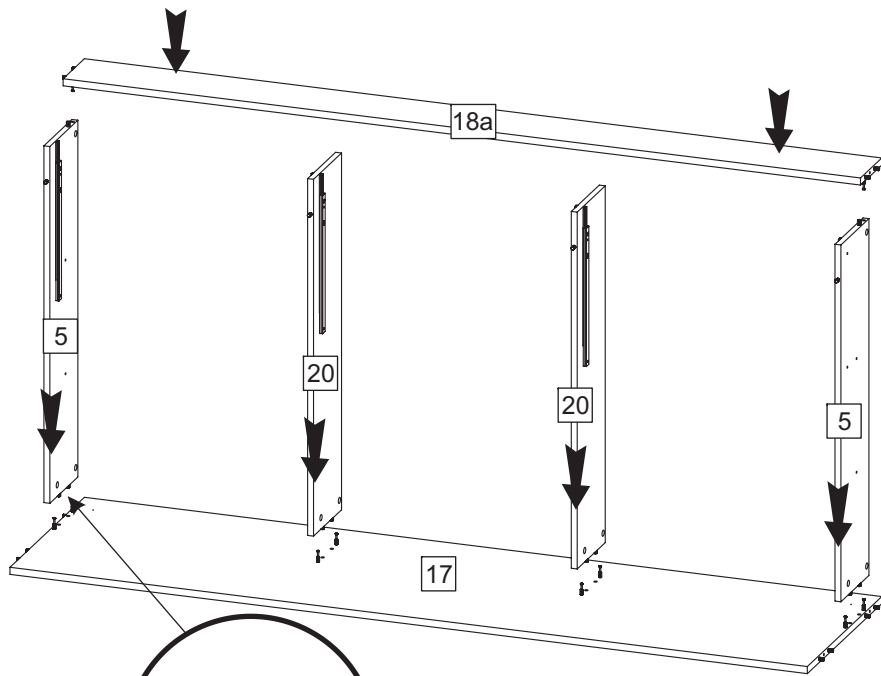
4



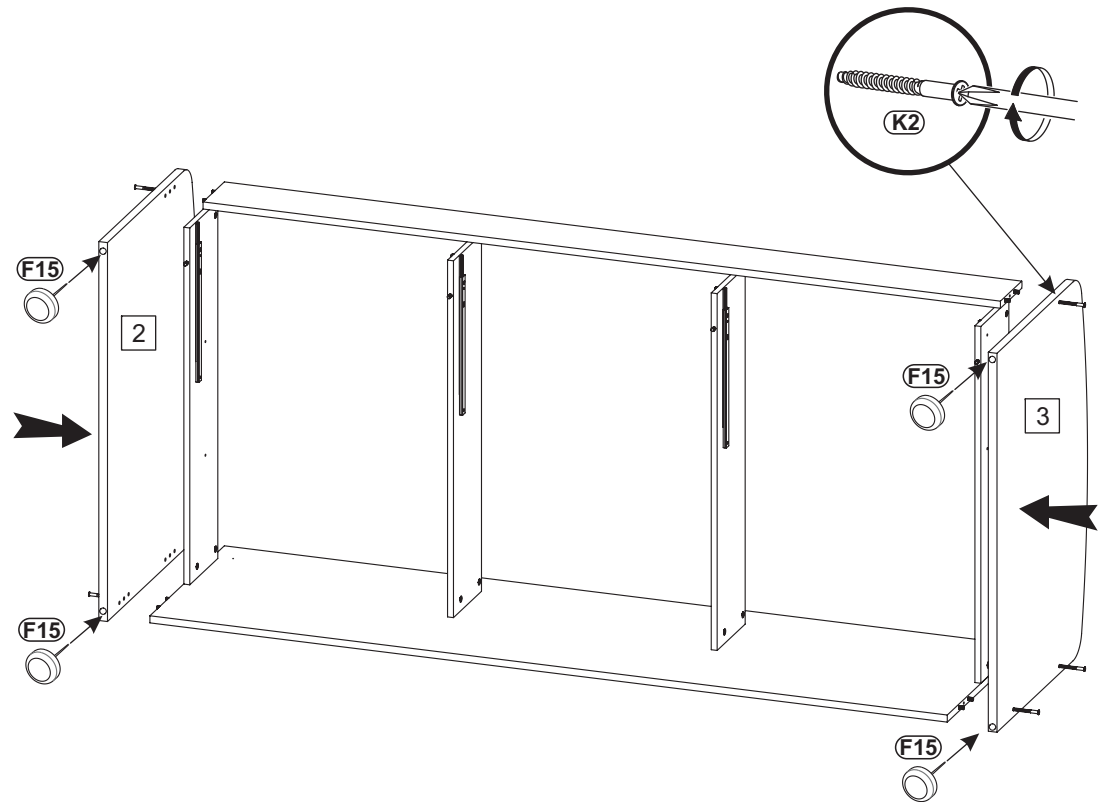
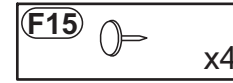
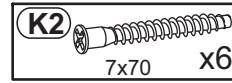
5



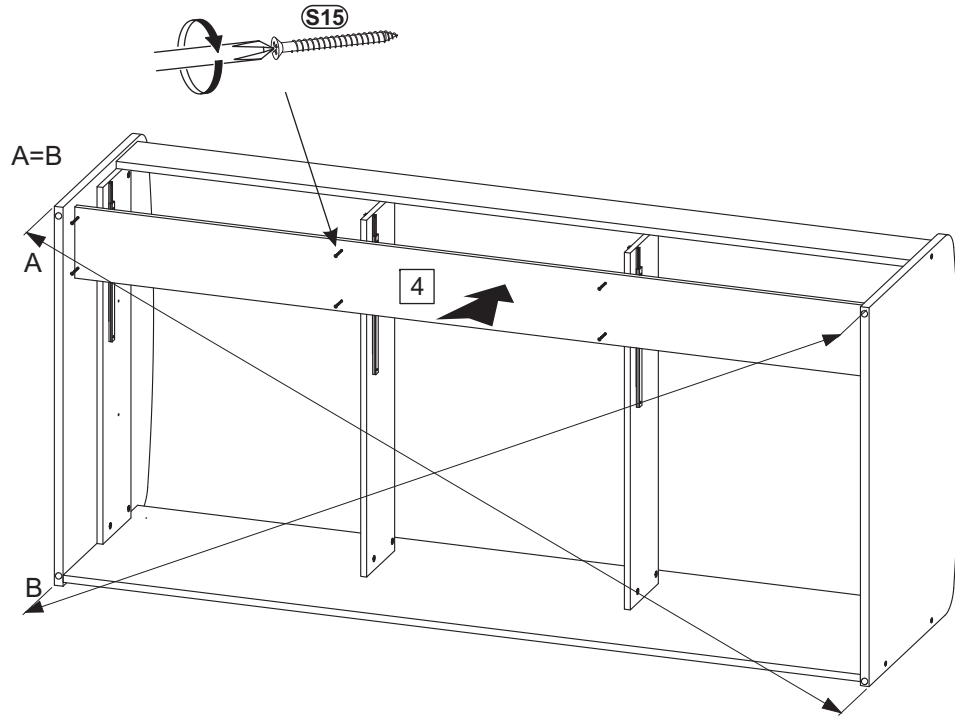
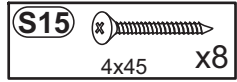
6



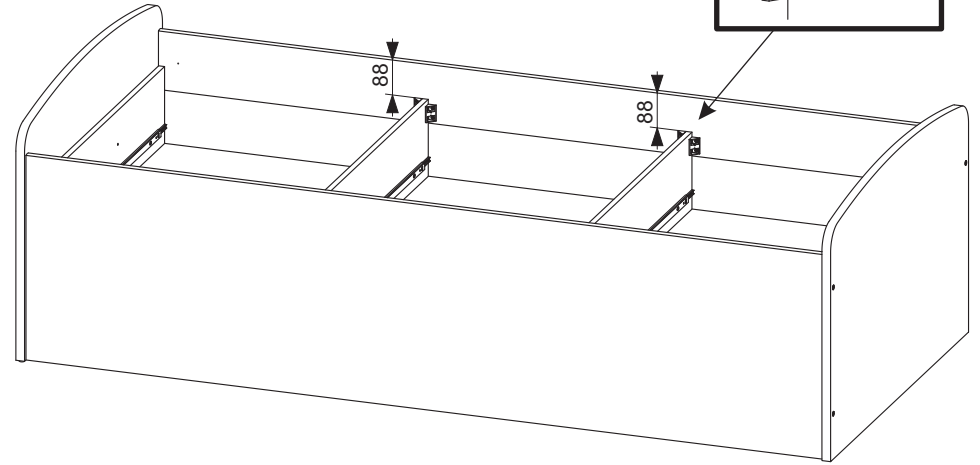
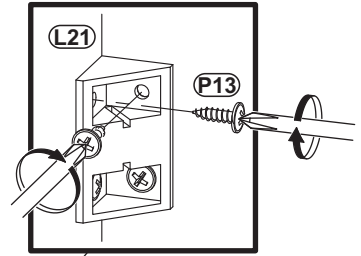
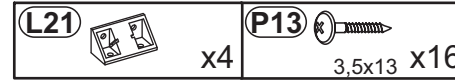
7



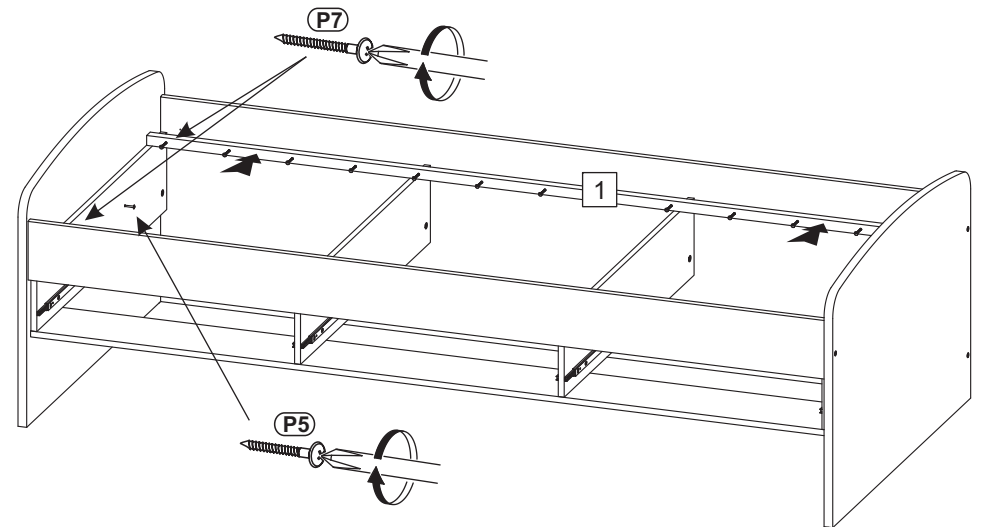
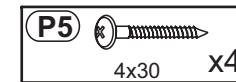
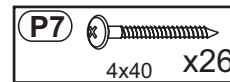
8



9



10





11

