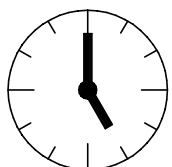
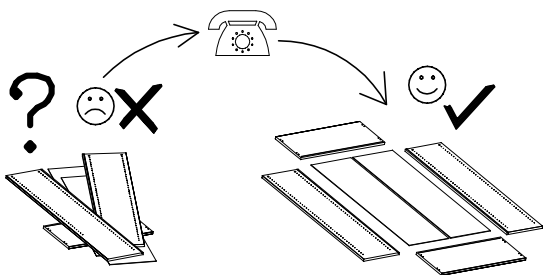
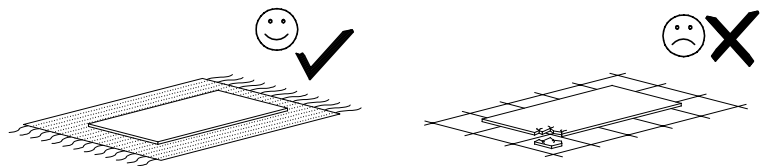
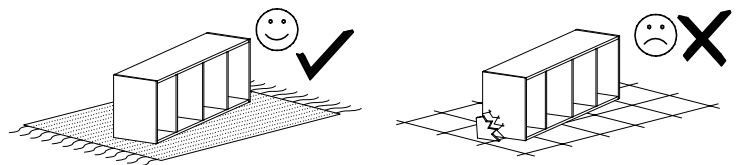
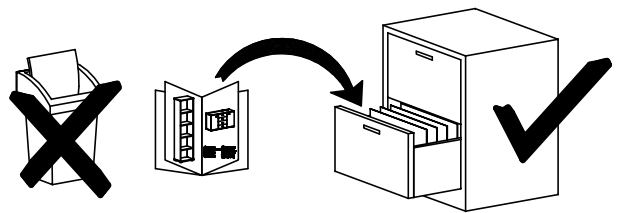
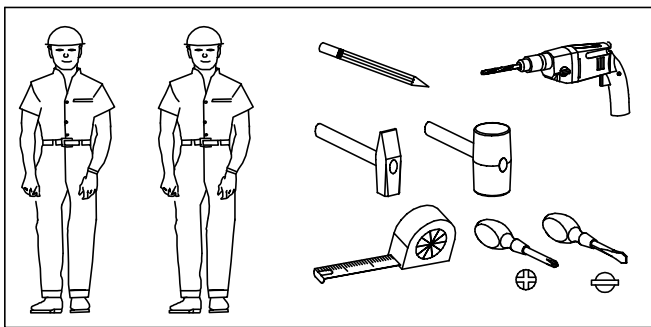
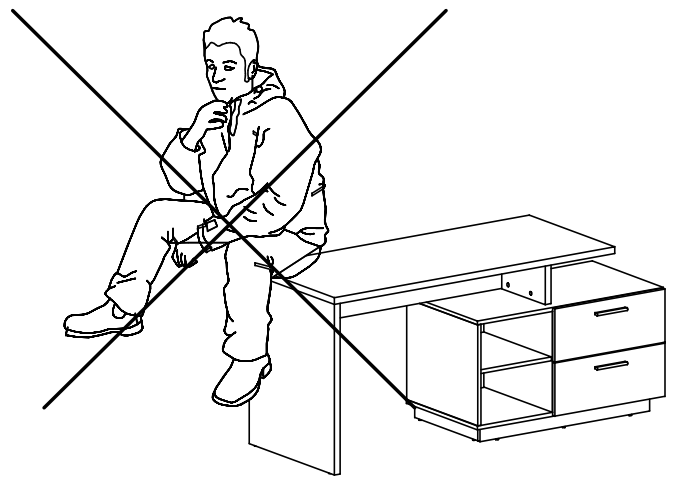
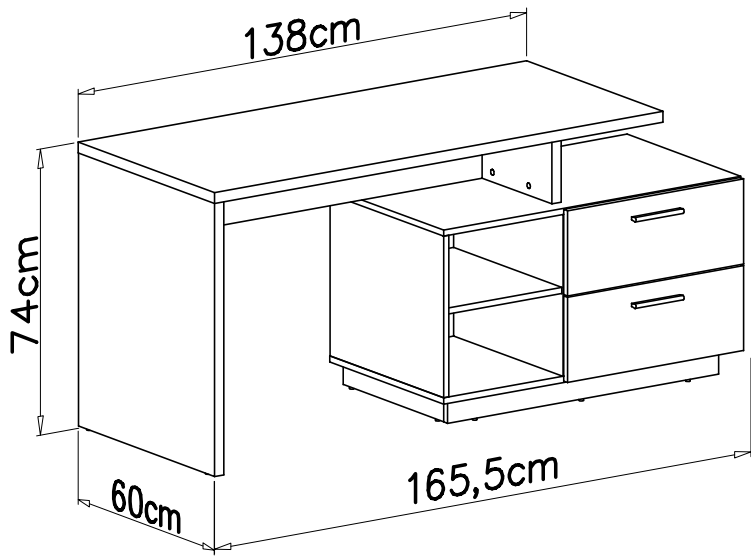


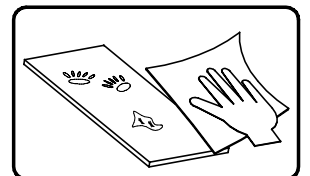
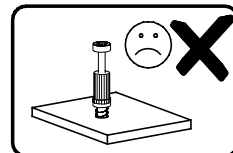
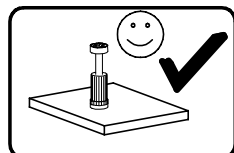
ARTI SCHREIBTISCH

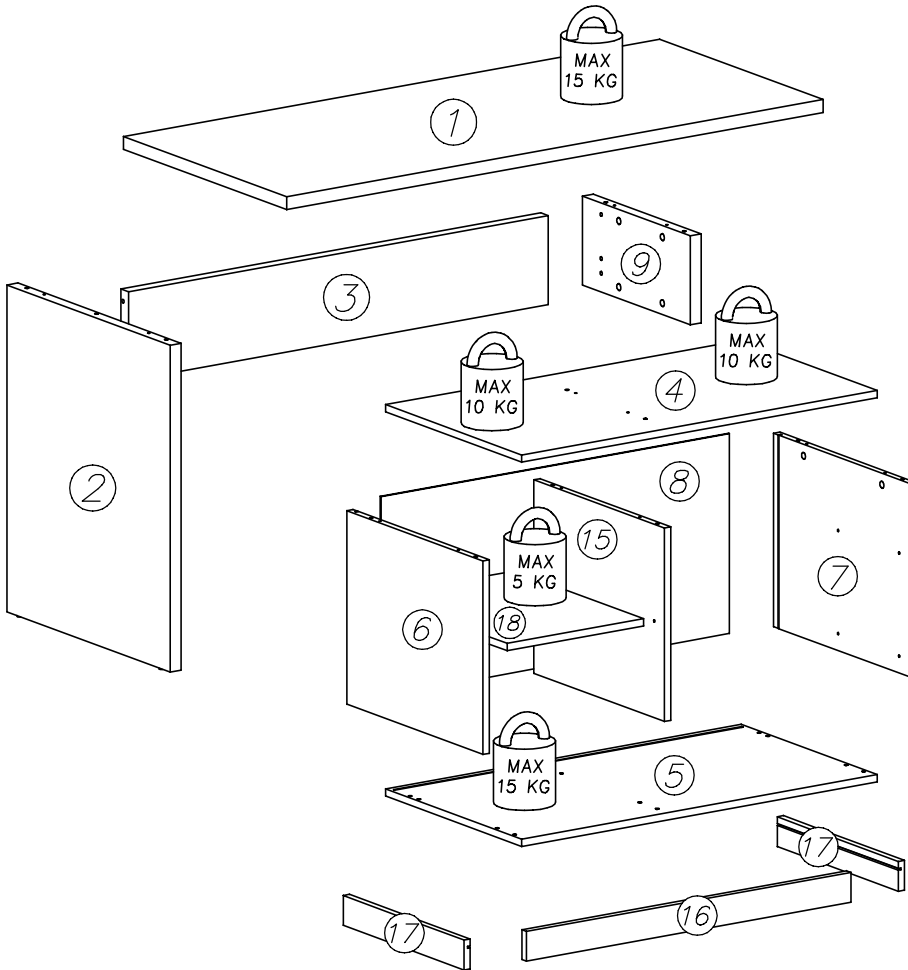
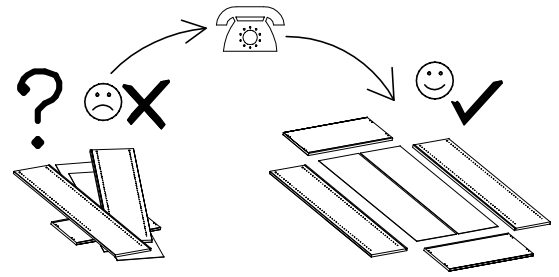
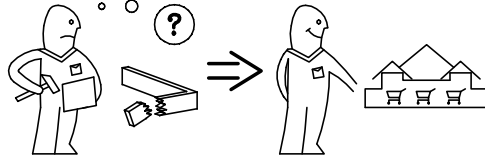
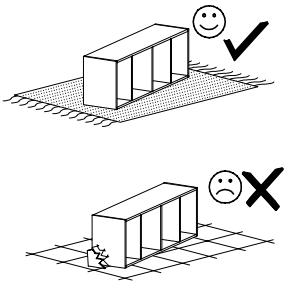
NR ART. 07780055-01

xora

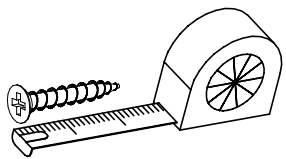
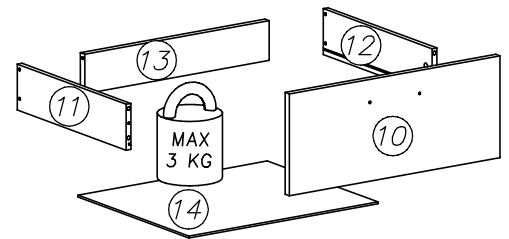


2,5h

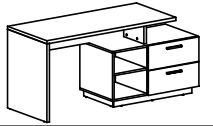




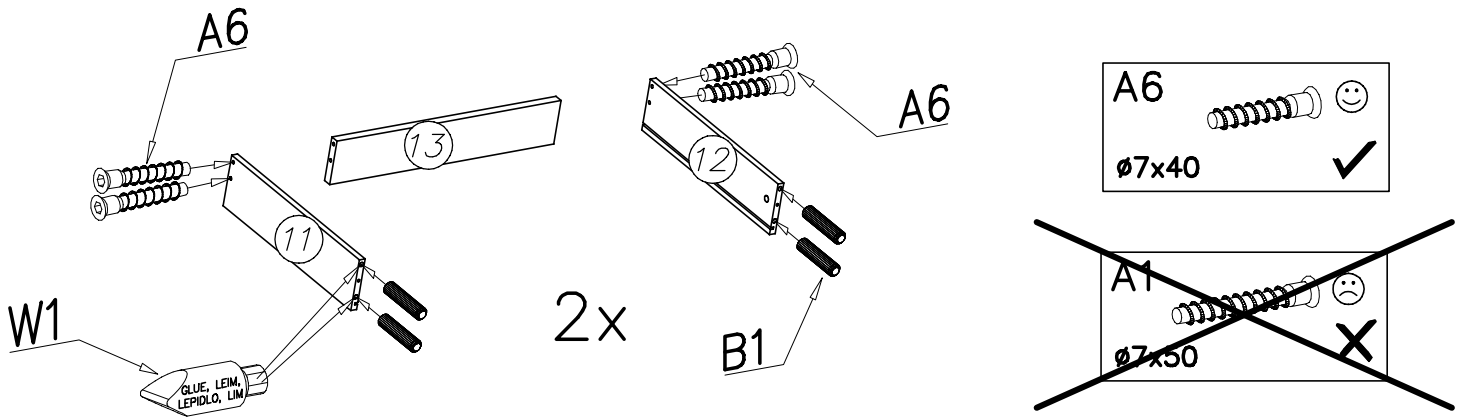
nr	L[mm]	B[mm]	T[mm]	Menge	Coll
1	1380	600	28	1	2/2
2	713	590	28	1	2/2
3	1080	194	28	1	1/2
4	915	500	16	1	1/2
5	915	500	16	1	1/2
6	422	500	16	1	1/2
7	422	500	16	1	1/2
8	894	434	3	1	2/2
9	194	396	28	1	1/2
10	542	222	16	2	2/2
11	400	100	12	2	2/2
12	400	100	12	2	2/2
13	475	86	16	2	2/2
14	485	407	3	2	2/2
15	422	480	16	2	1/2
16	835	65	16	1	1/2
17	444	65	16	2	1/2
18	351	475	16	1	1/2



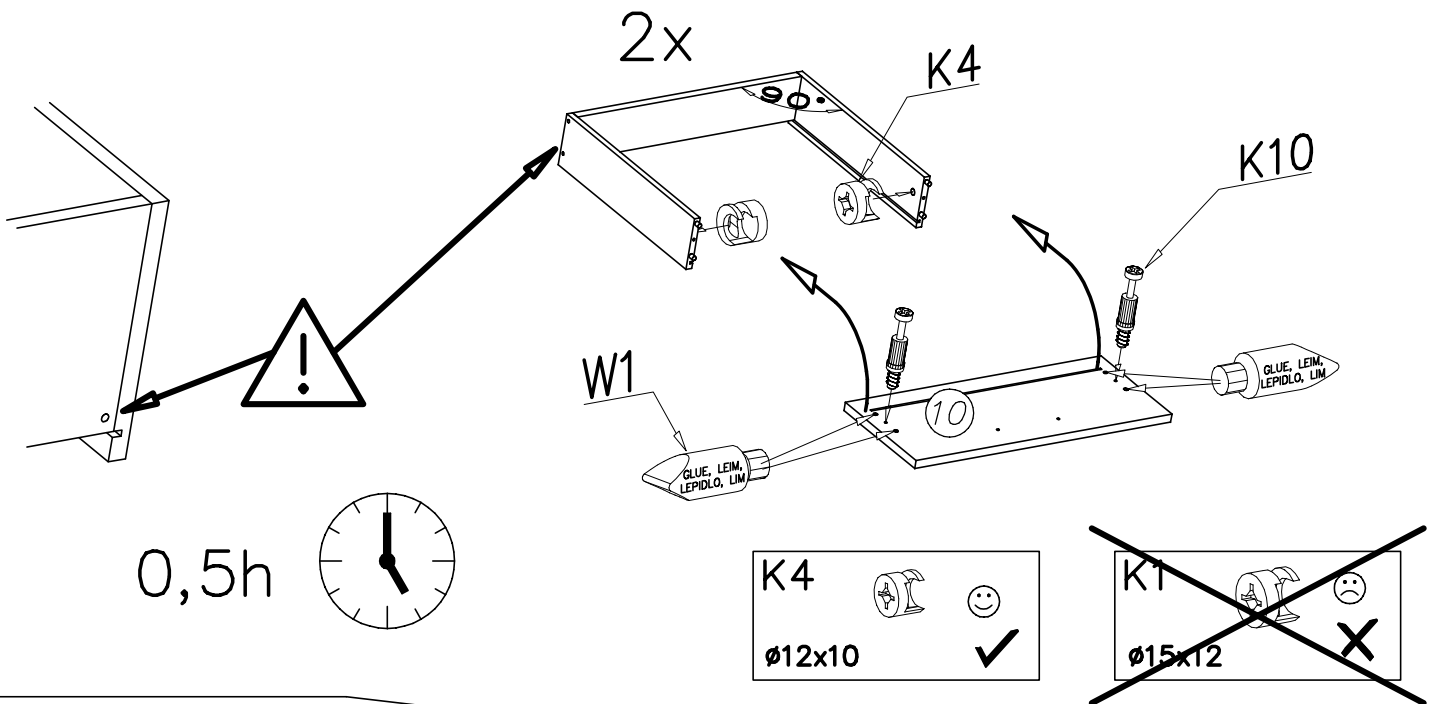
		G56 4x16 x...(32)	W3 x...(4)	I18 xora x...(1)
F12 x...(8)	G8 4x30 x...(4)	A6 ø7x40 x...(8)	P4 x...(9)	F2 x...(4)
H14 400mm x...(2)	I1 x...(8)	K4 ø12x10 x...(4)	I7 x...(14)	
K1 ø15x12 x...(14)	G50 6x13 x...(8)	W2 x...(1)	W1 GLUE, LEIM, LEPIDLO, LIM x...(1)	F4 x...(2)
K10 x...(18)	B1 ø8x35 x...(31)	A1 ø7x50 x...(6)	G34 3,5x16 x...(24)	E1 128mm x...(2)



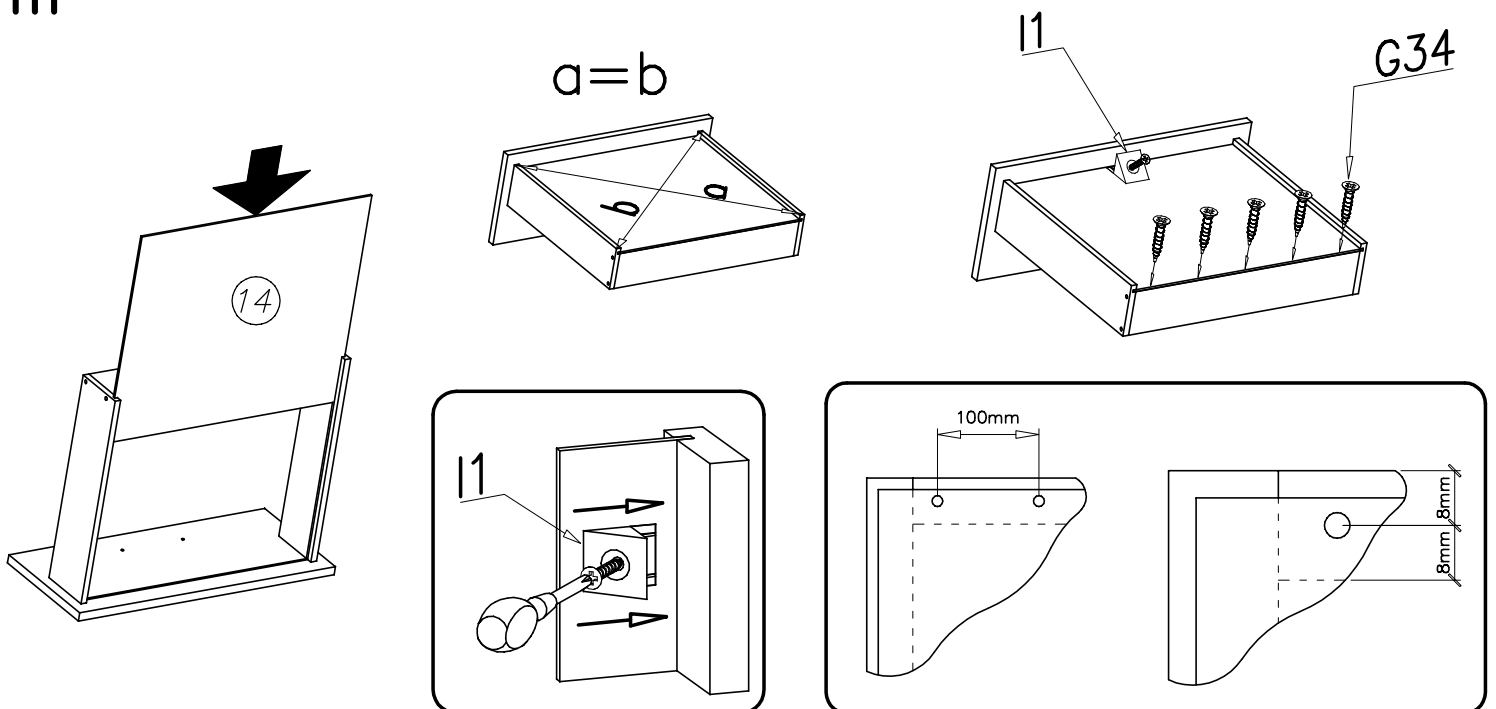
I

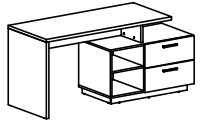


II

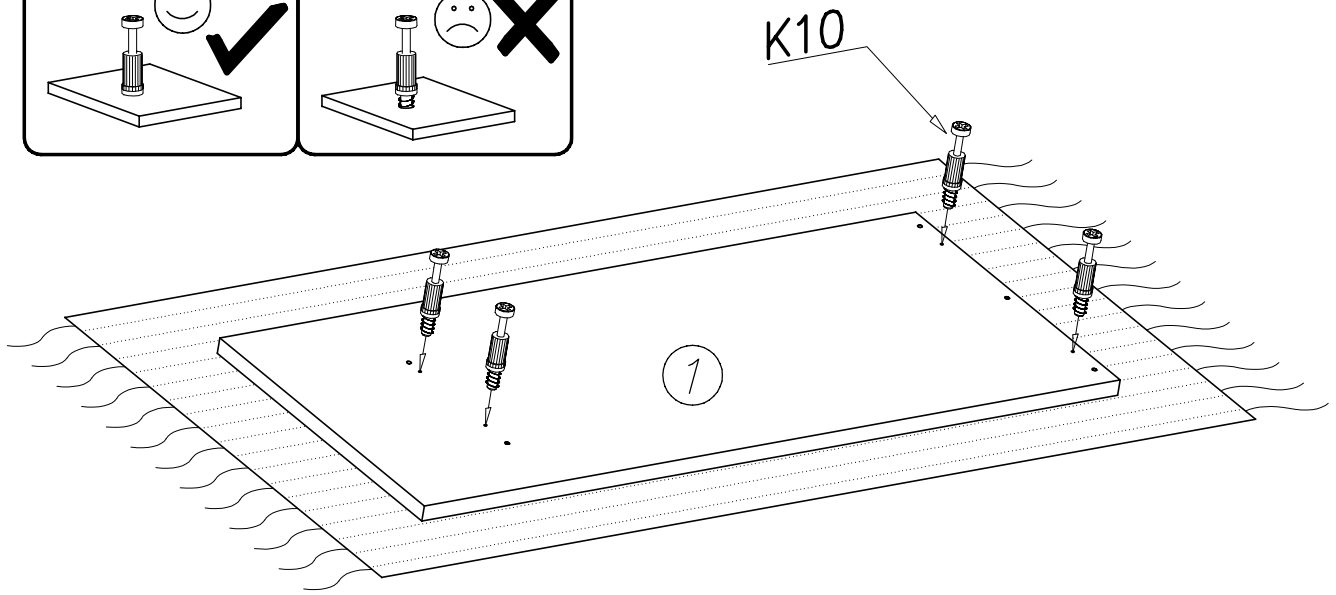
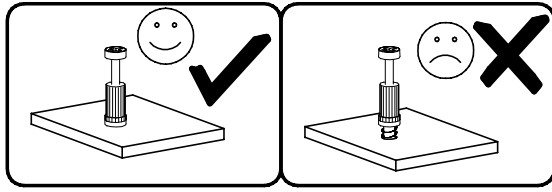


III

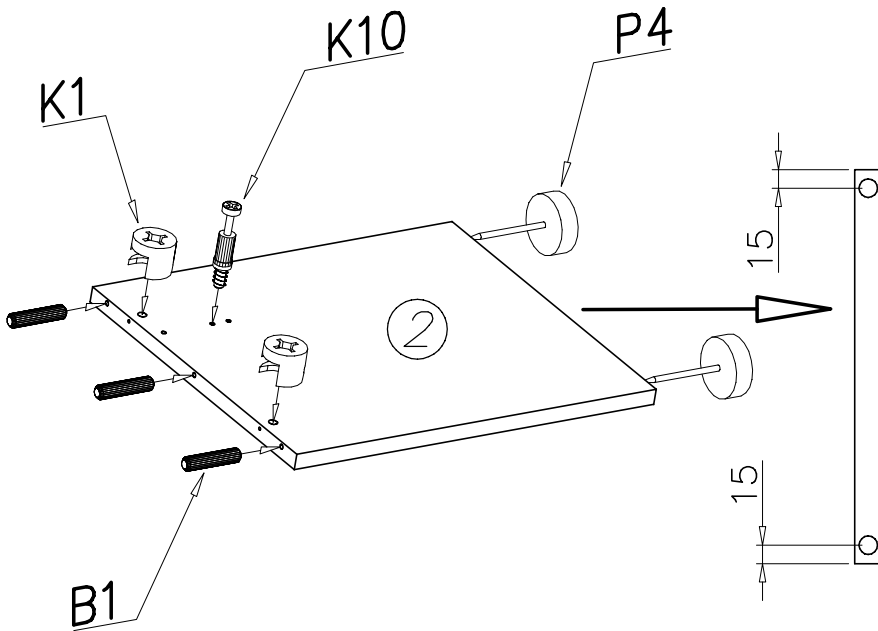
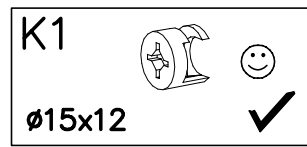
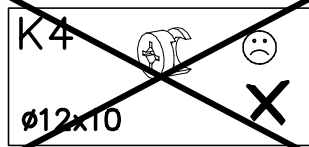




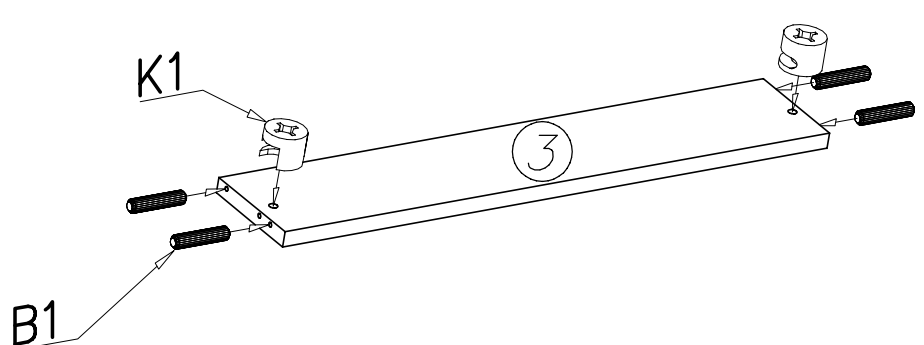
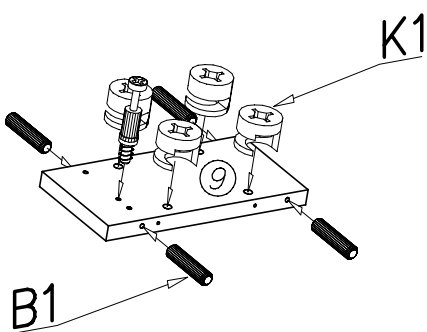
IV

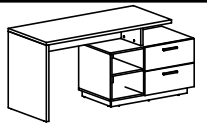


V

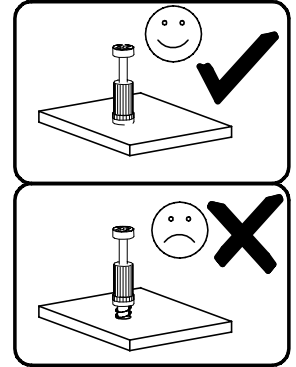
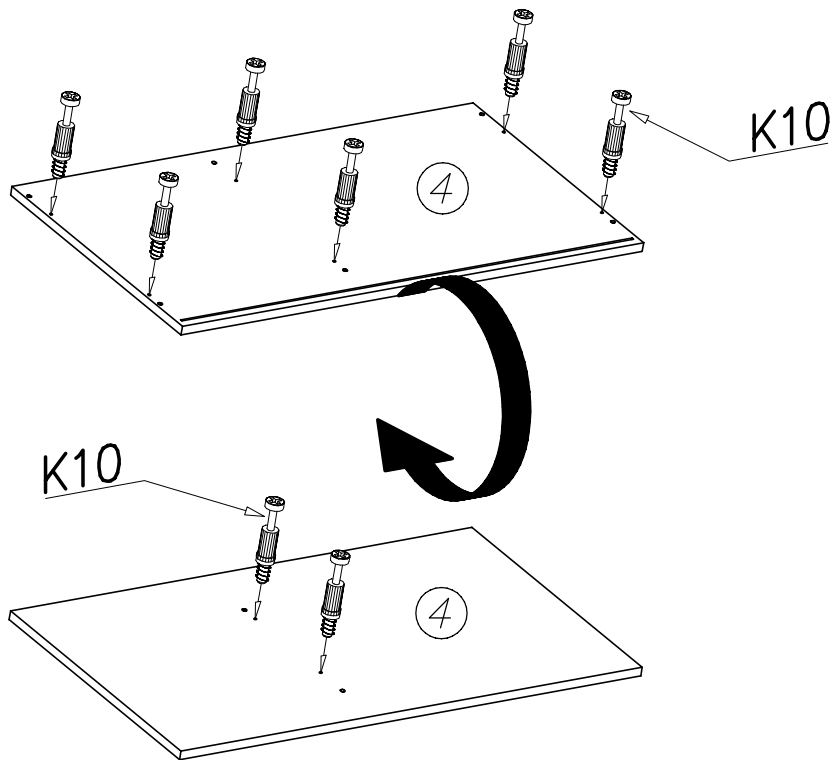


VI

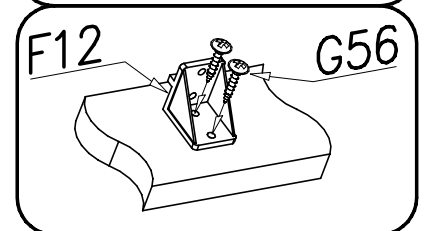
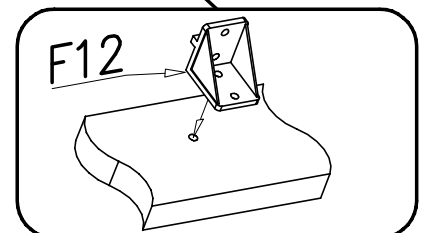
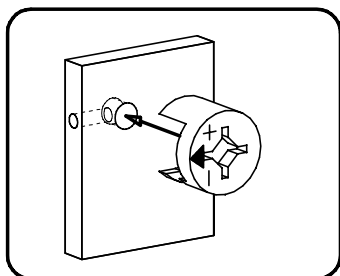
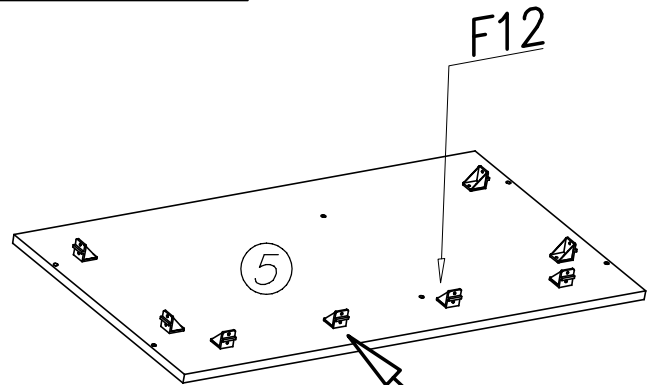
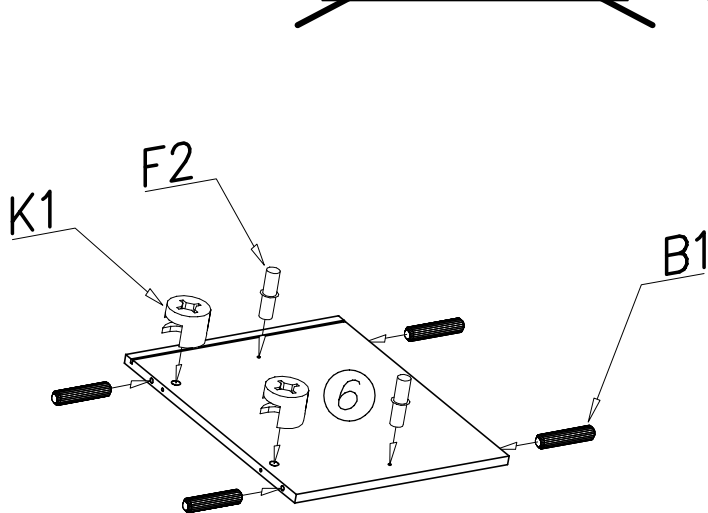
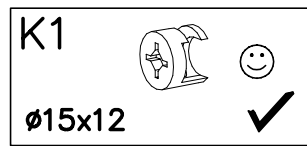
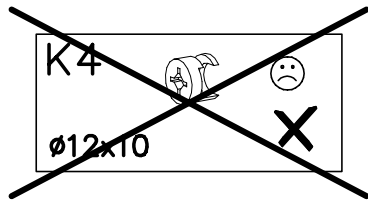


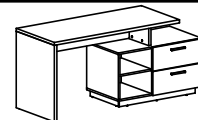


VII

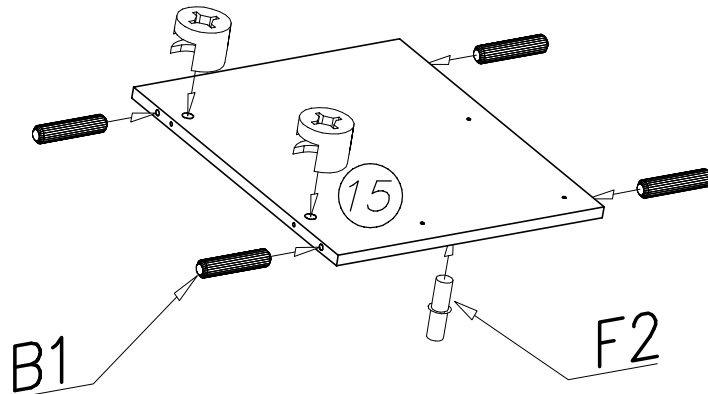
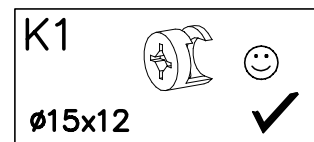
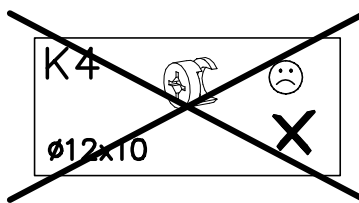
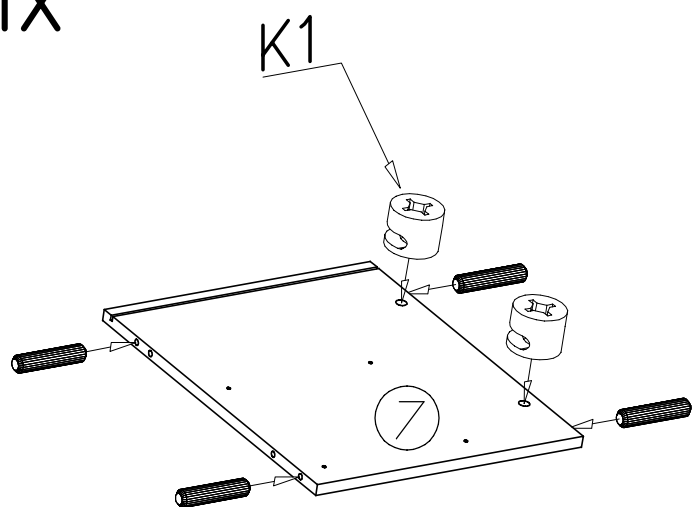


VIII

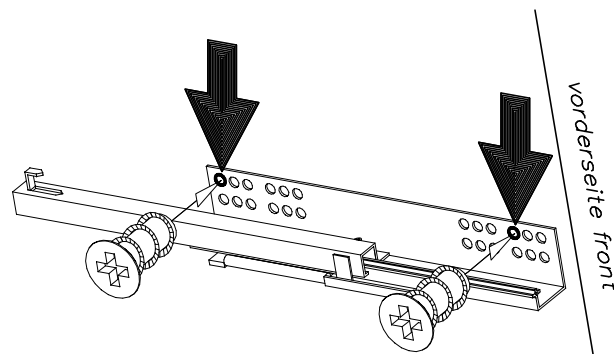
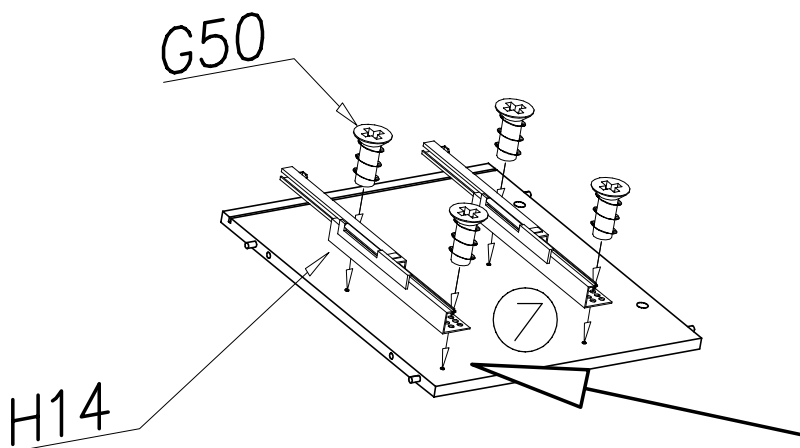
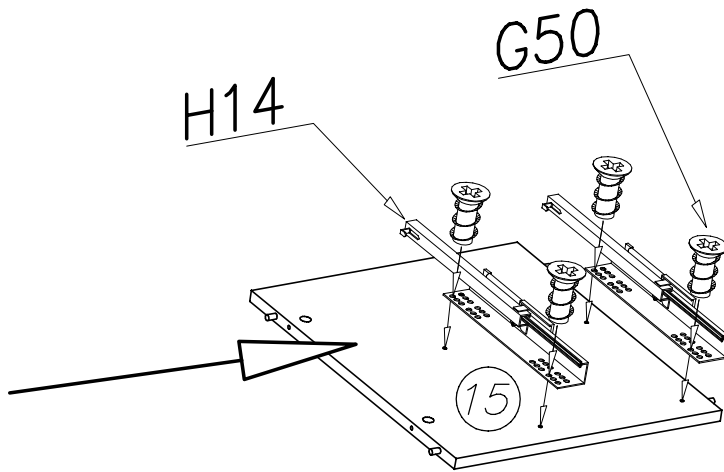
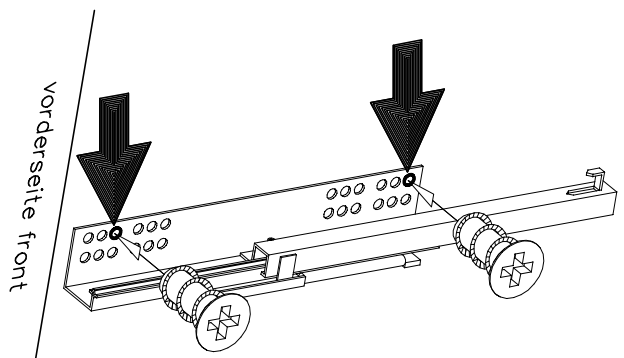


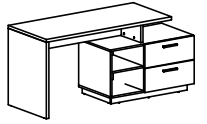


IX

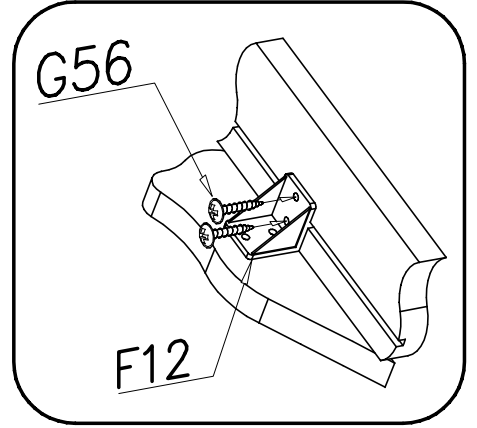
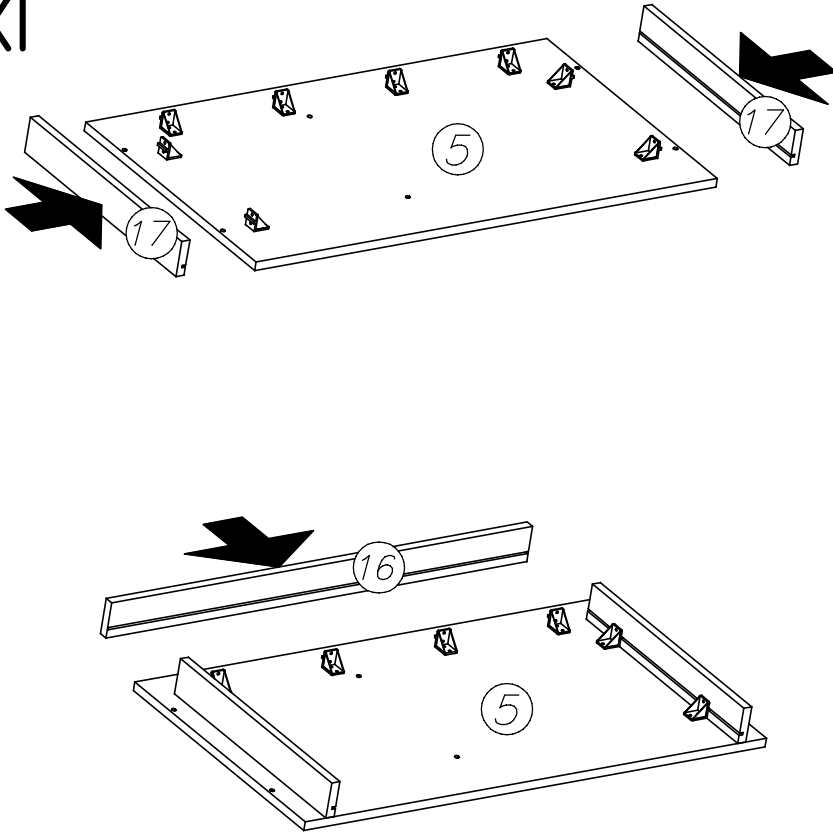


X

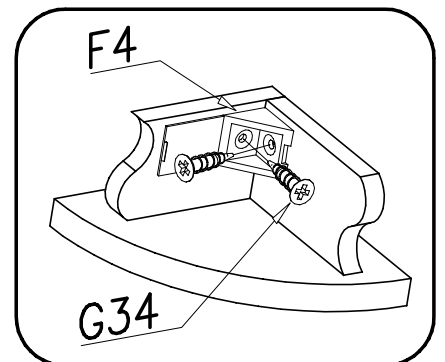
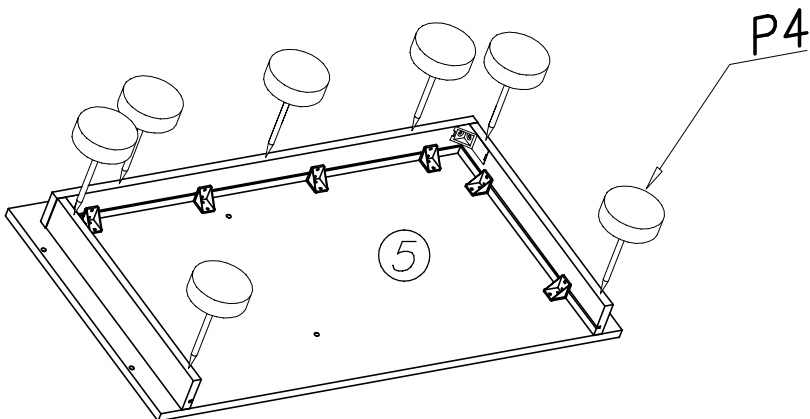
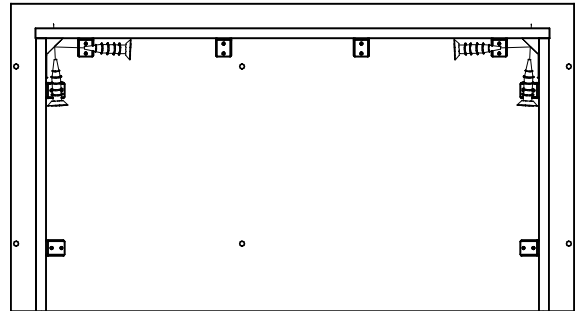
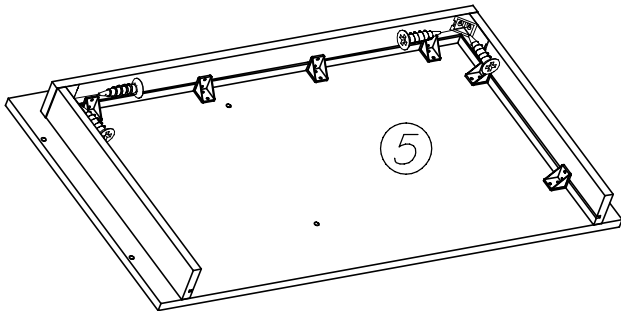


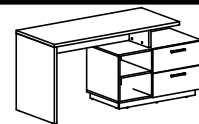


XI

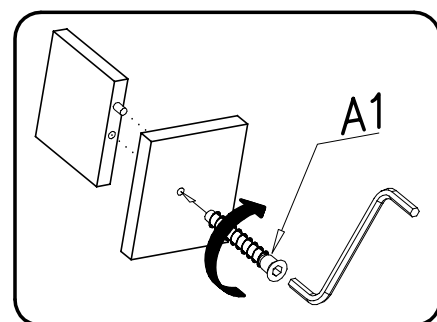
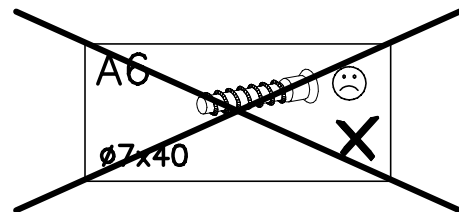
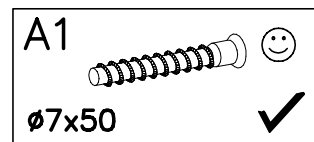
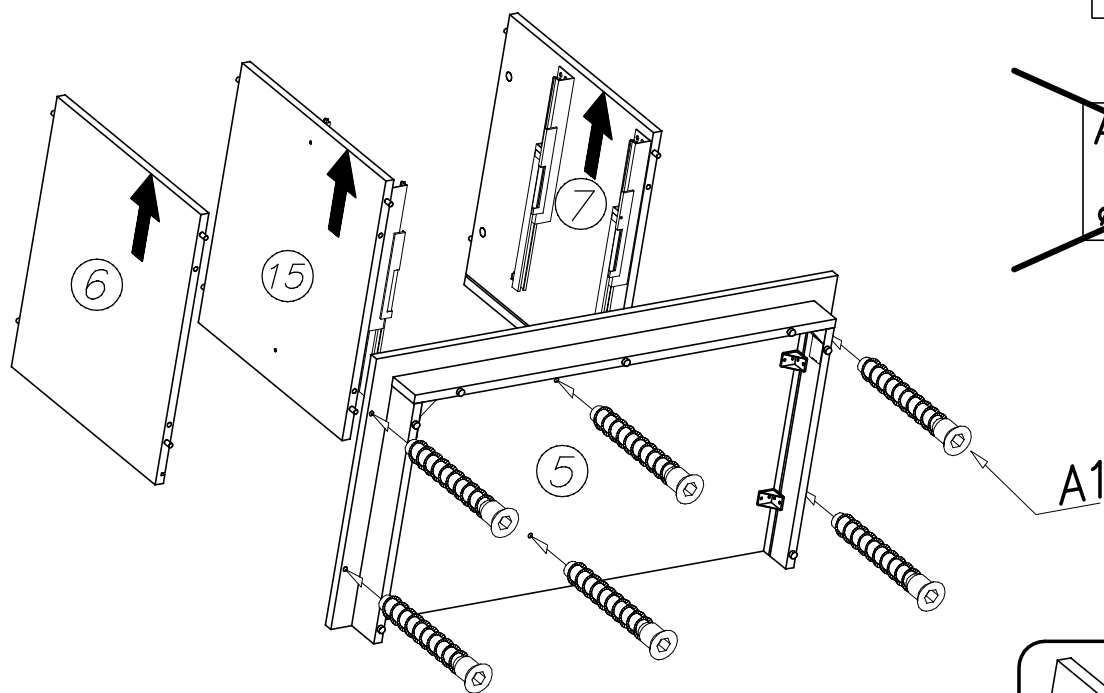


XII

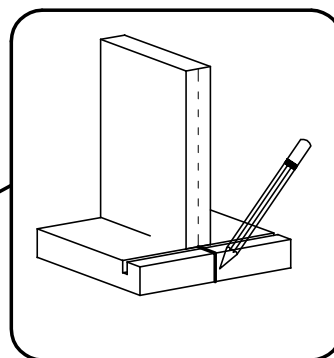
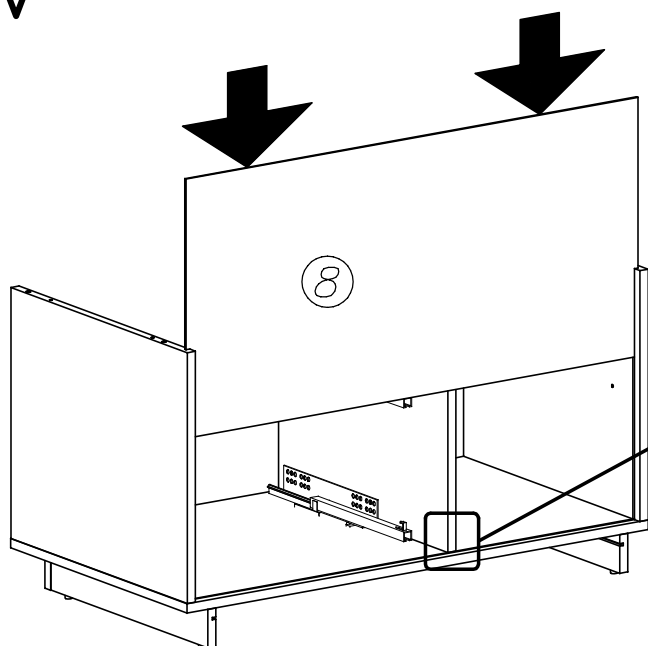


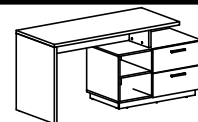


XIII

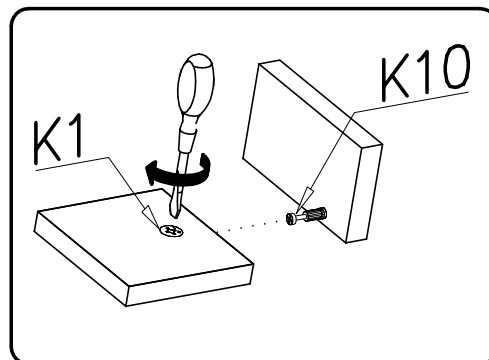
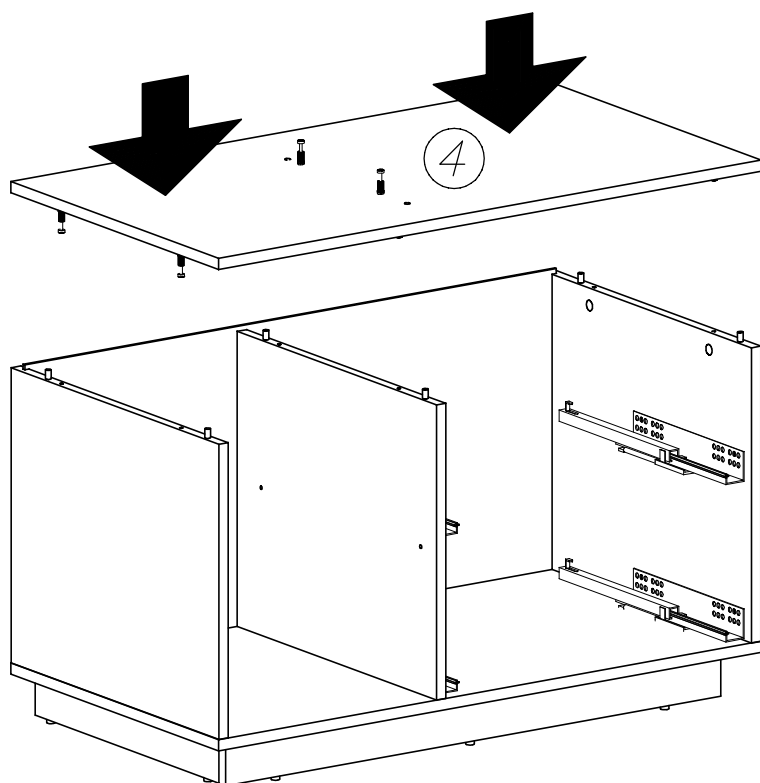


XIV

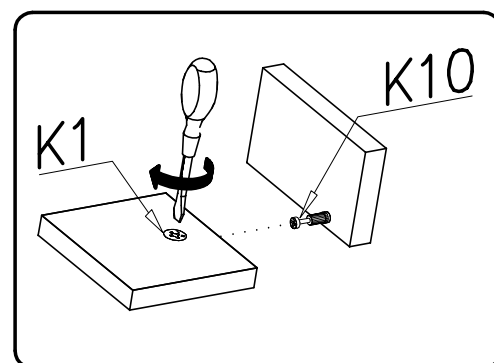
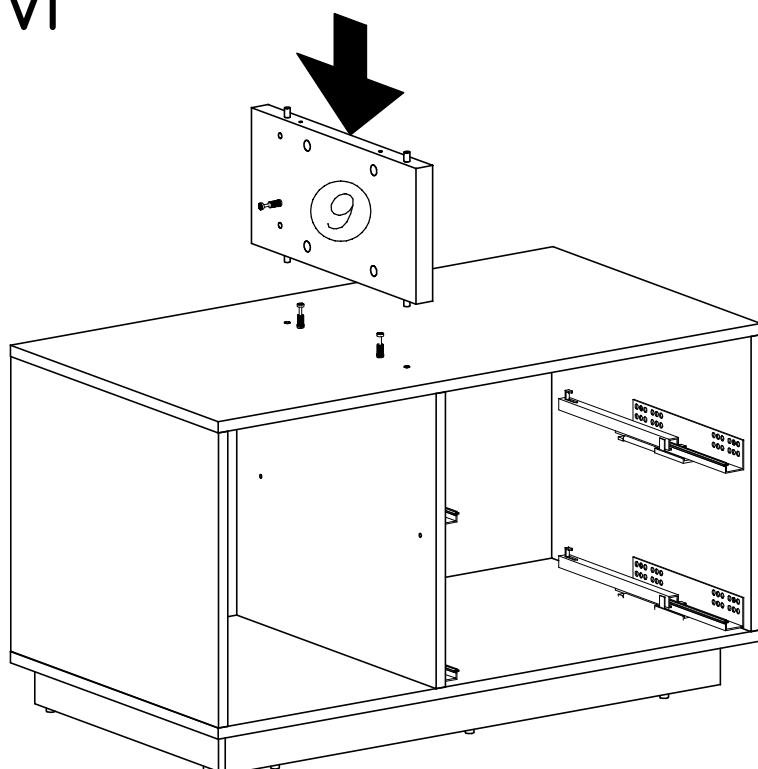


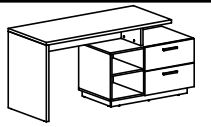


XV



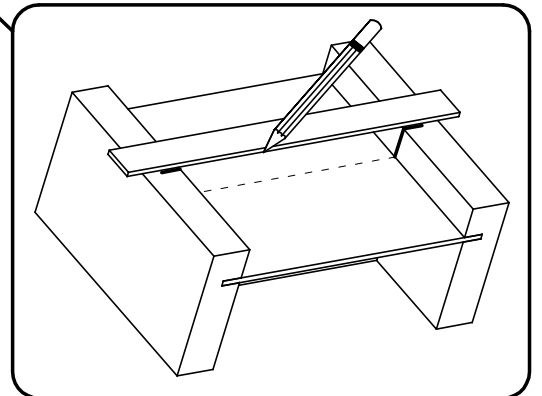
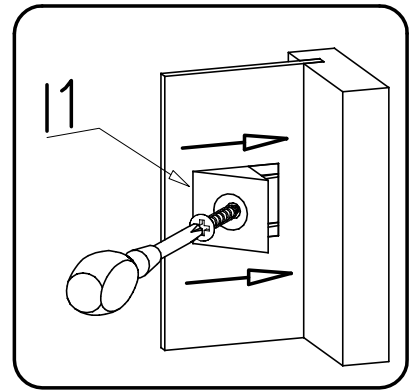
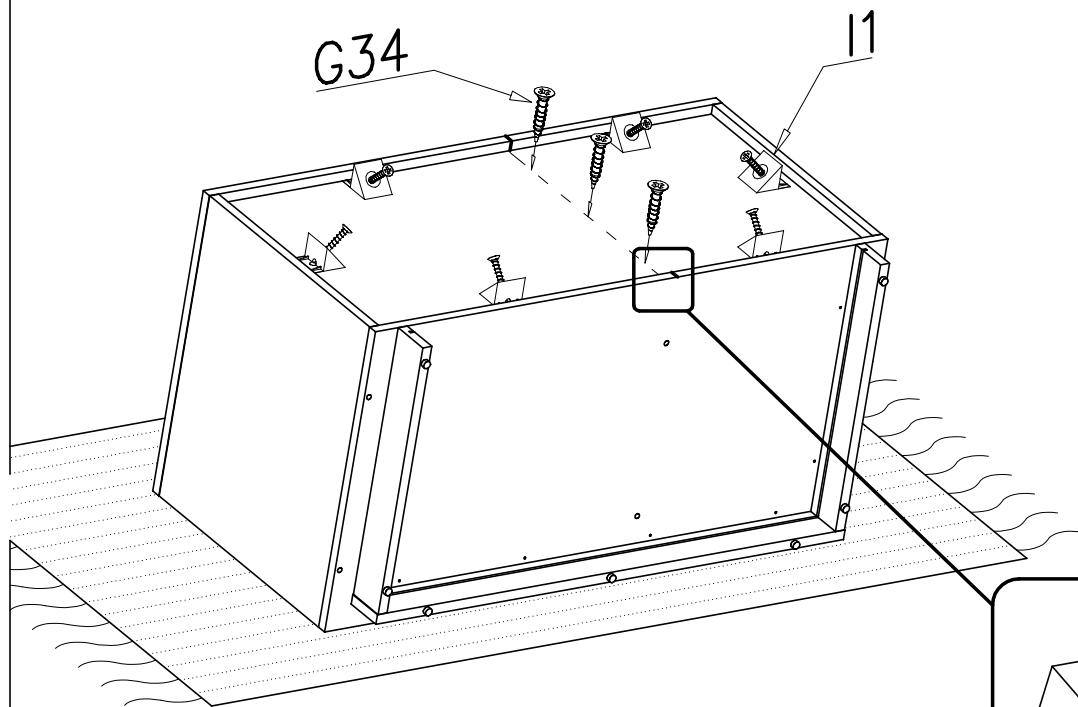
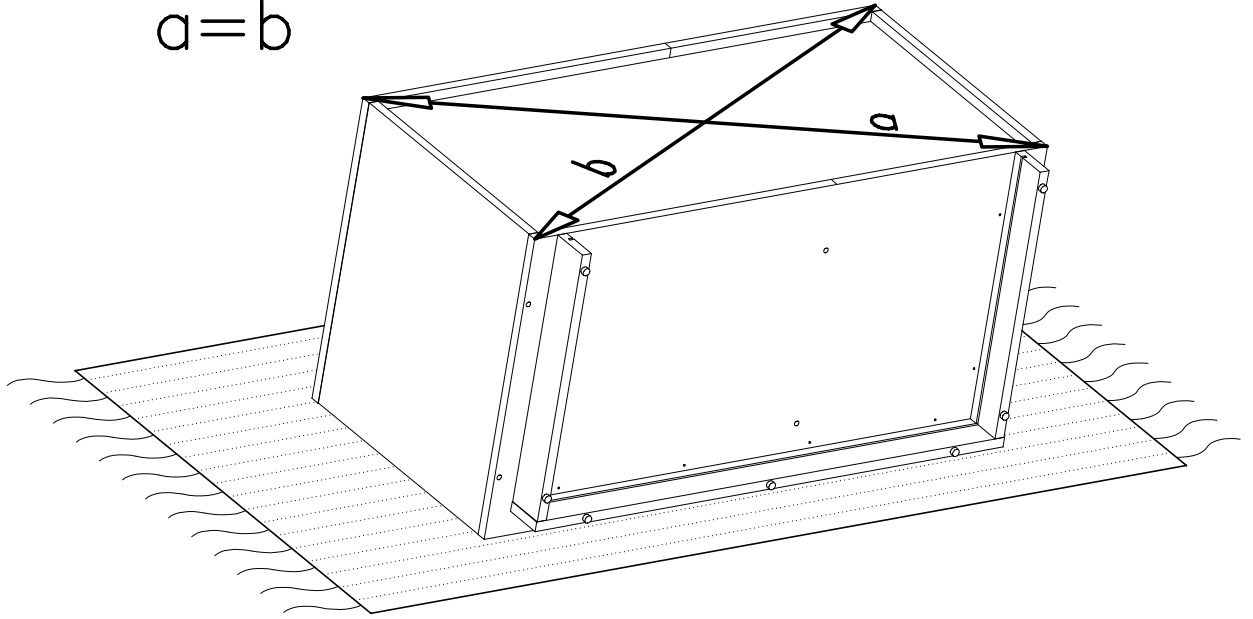
XVI

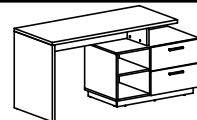




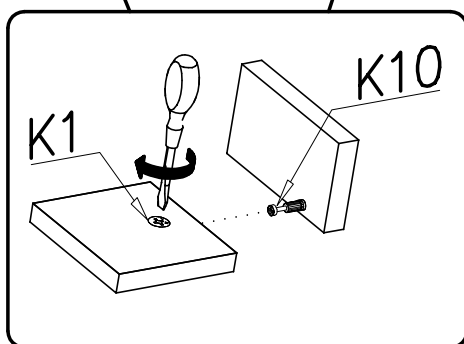
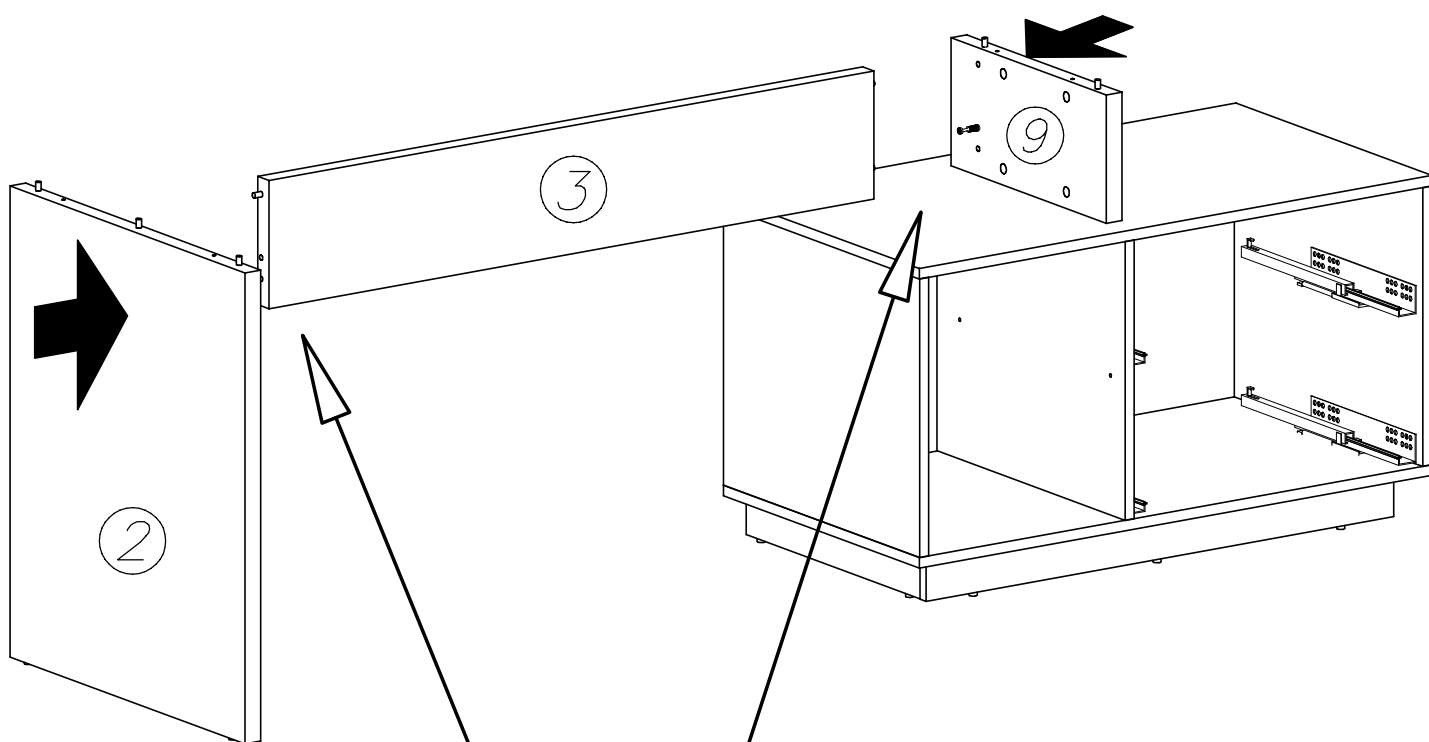
XVII

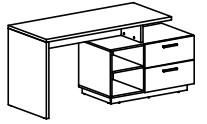
$a=b$



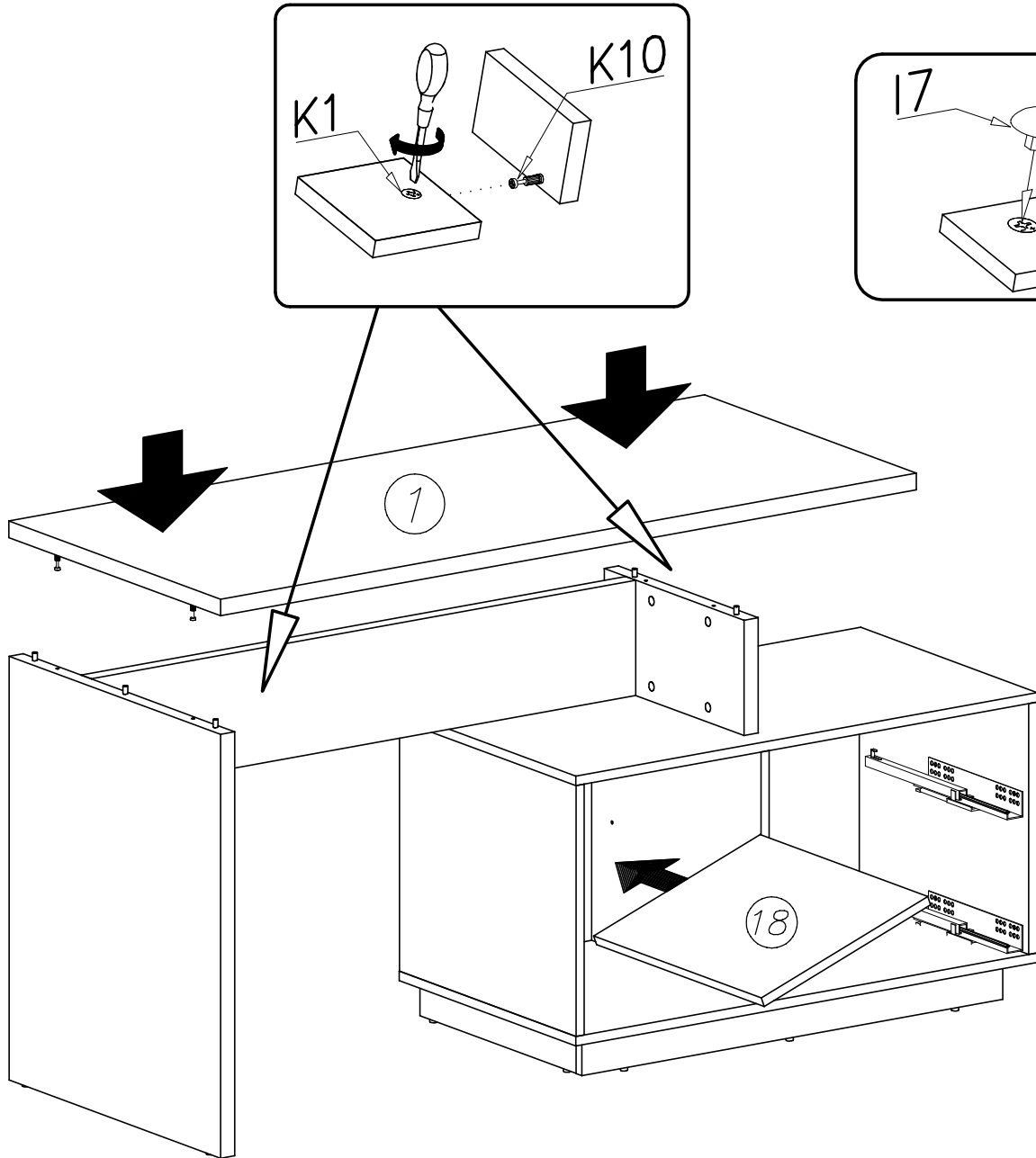


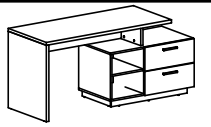
XVIII



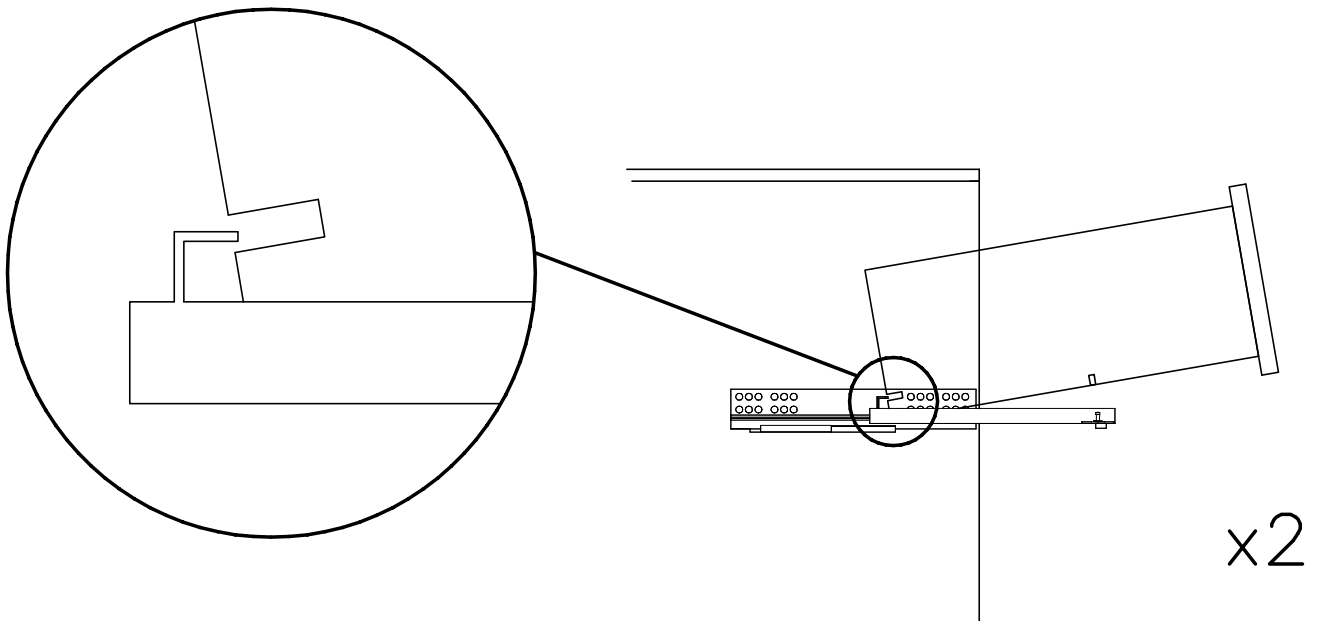
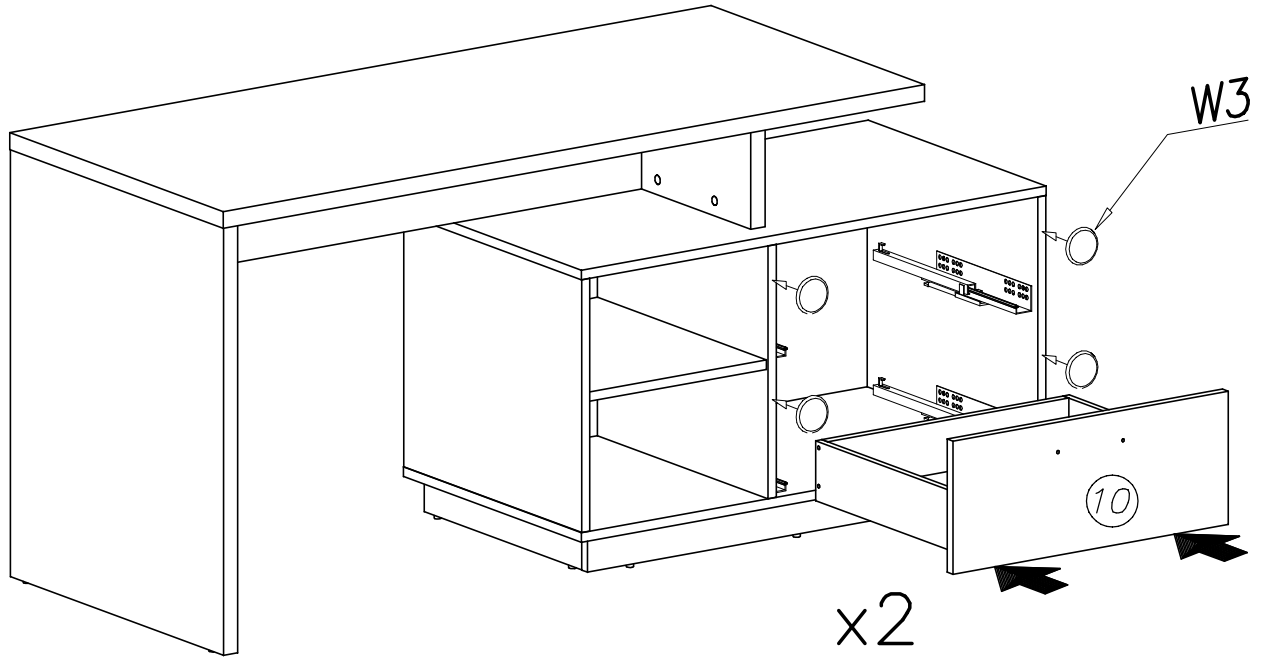


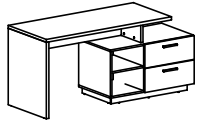
XIX





XX





XXI

