

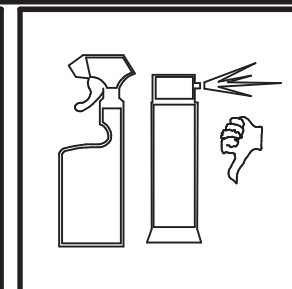
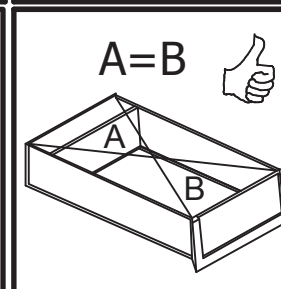
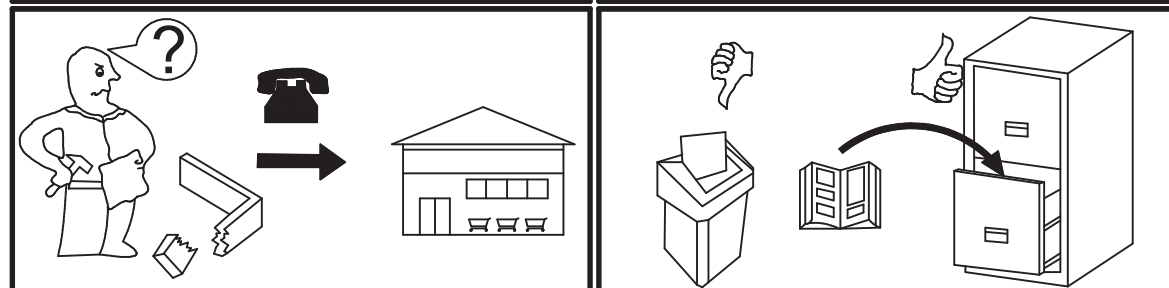
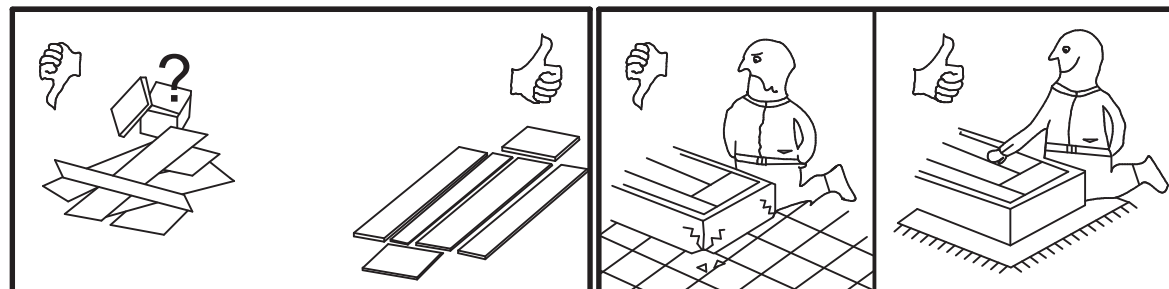
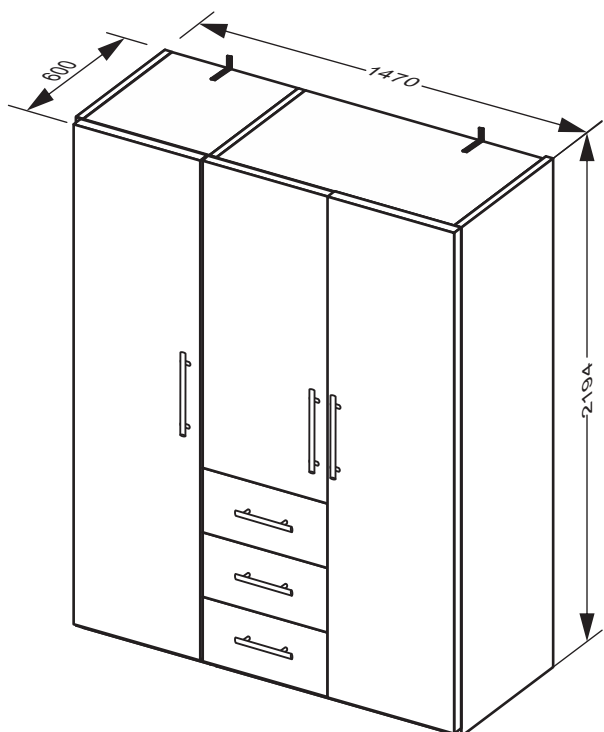



MAGNUM

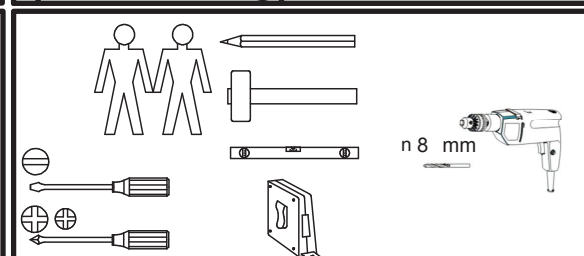
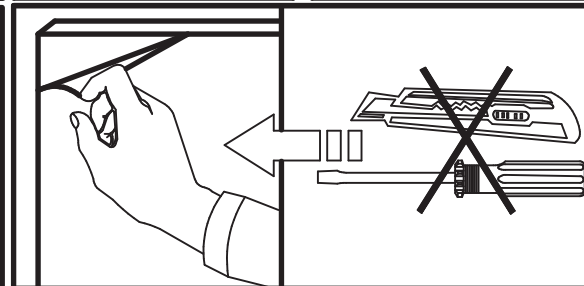
08850004/07

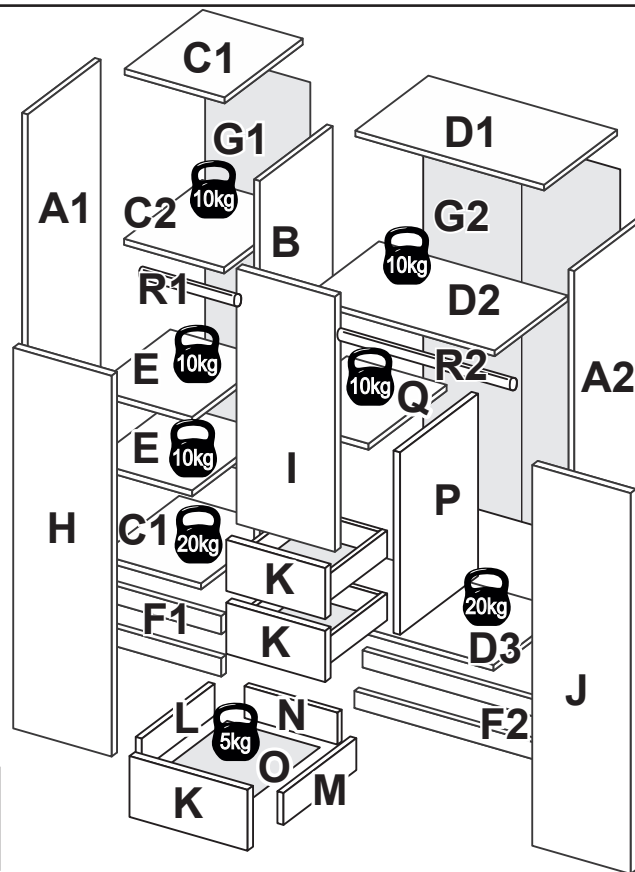
08850004/03

08850004/11

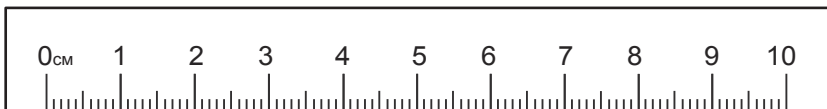


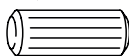



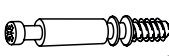


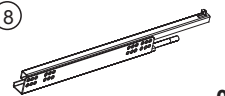
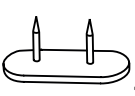
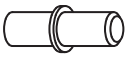

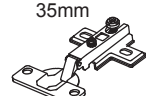
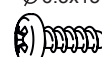
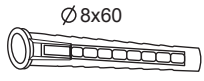
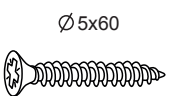


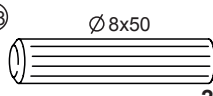
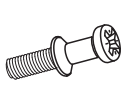
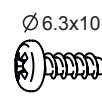

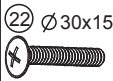
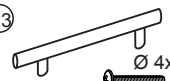

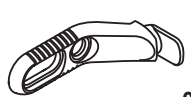
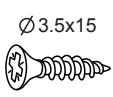
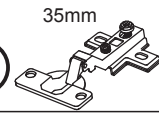
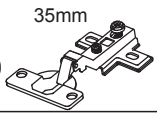

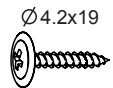

- ⑦ $\varnothing 4.2 \times 13$ x4
10413
- ⑮ $\varnothing 5 \times 60$ x2
10443
- ⑮  x2
- ⑭ $\varnothing 8011$ x2
10016

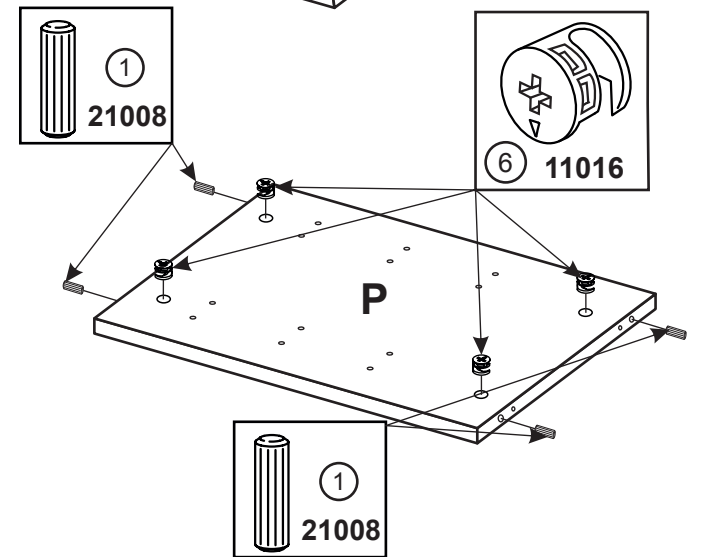
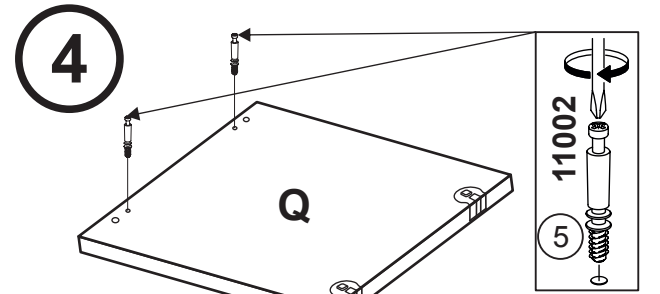
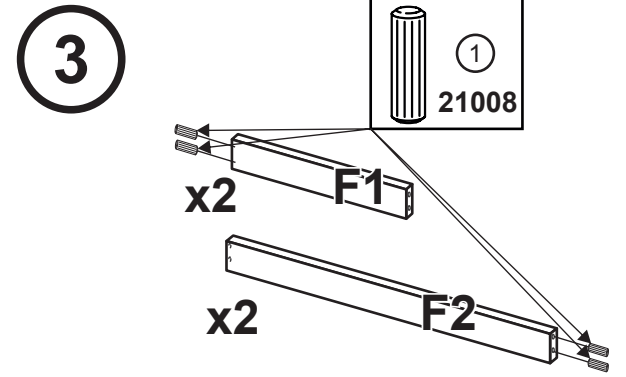
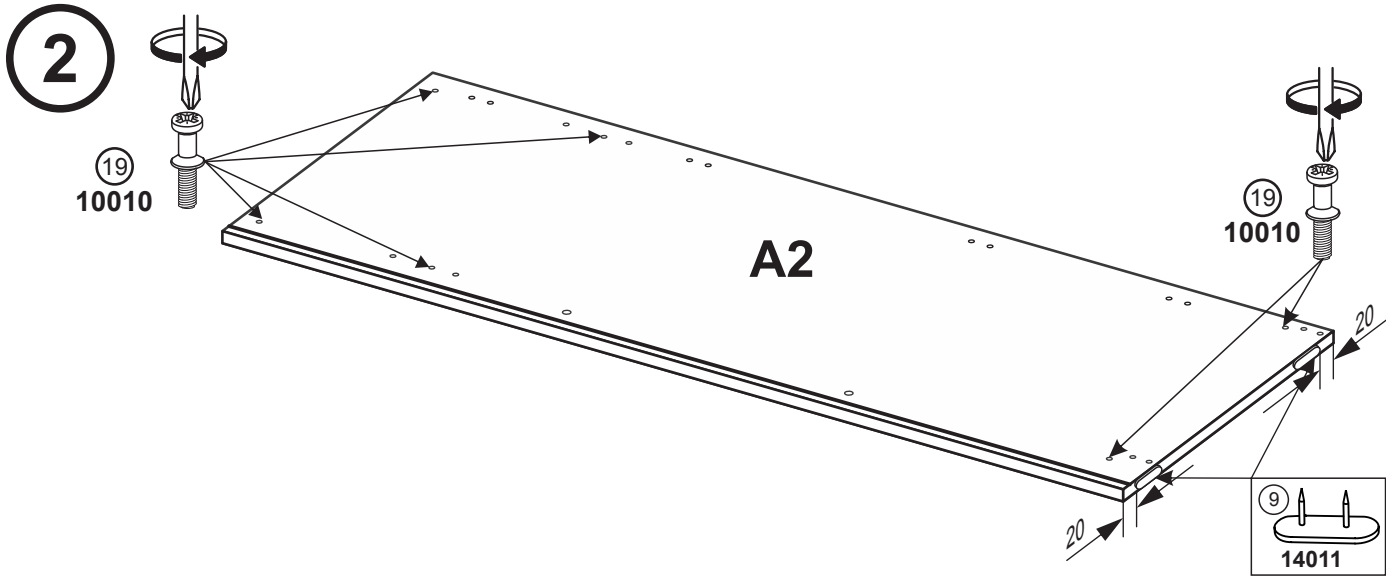
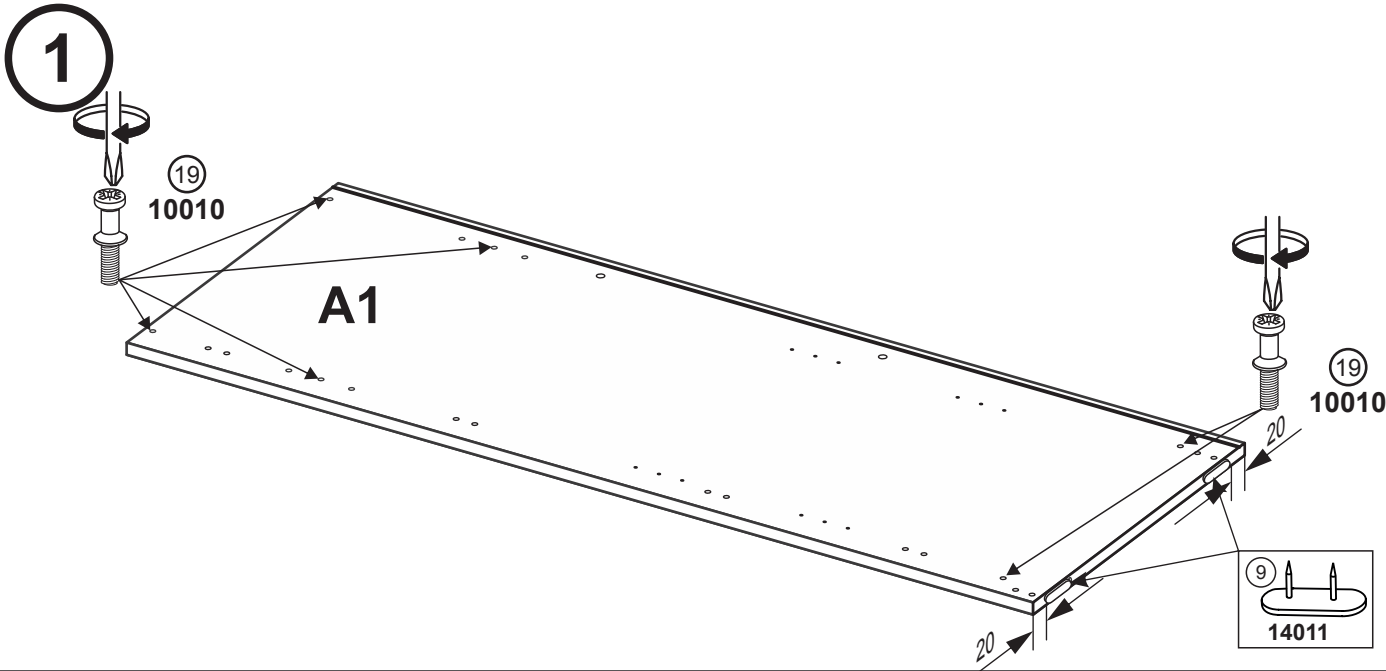


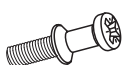
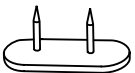



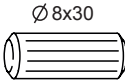

Teil	Maß	Stk	Colli
A1 -	2188 x 580 x 16	x 1	1/7
A2 -	2188 x 580 x 16	x 1	1/7
B -	2188 x 580 x 16	x 1	2/7
C1 -	466 x 580 x 16	x 2	3/7
C2 -	466 x 566 x 16	x 1	3/7
D1 -	956 x 580 x 16	x 1	4/7
D2 -	956 x 566 x 16	x 1	4/7
D3 -	956 x 580 x 16	x 1	4/7
E -	466 x 556 x 16	x 2	5/7
F1 -	466 x 50 x 16	x 2	3/7
F2 -	956 x 50 x 16	x 2	4/7
G1 -	2114 x 474 x 3	x 1	2/7
G2 -	2114 x 964 x 3	x 1	2/7
H -	2155 x 486 x 18	x 1	6/7
I -	1423 x 486 x 18	x 1	7/7
J -	2155 x 486 x 18	x 1	6/7
K -	486 x 240 x 18	x 3	5/7
L -	450 x 130 x 16	x 3	5/7
M -	450 x 130 x 16	x 3	5/7
N -	434 x 116 x 16	x 3	5/7
O -	455 x 446 x 3	x 3	5/7
P -	687 x 566 x 16	x 1	4/7
Q -	490 x 566 x 16	x 1	3/7
R1 -	459	x 1	3/7
R2 -	949	x 1	4/7

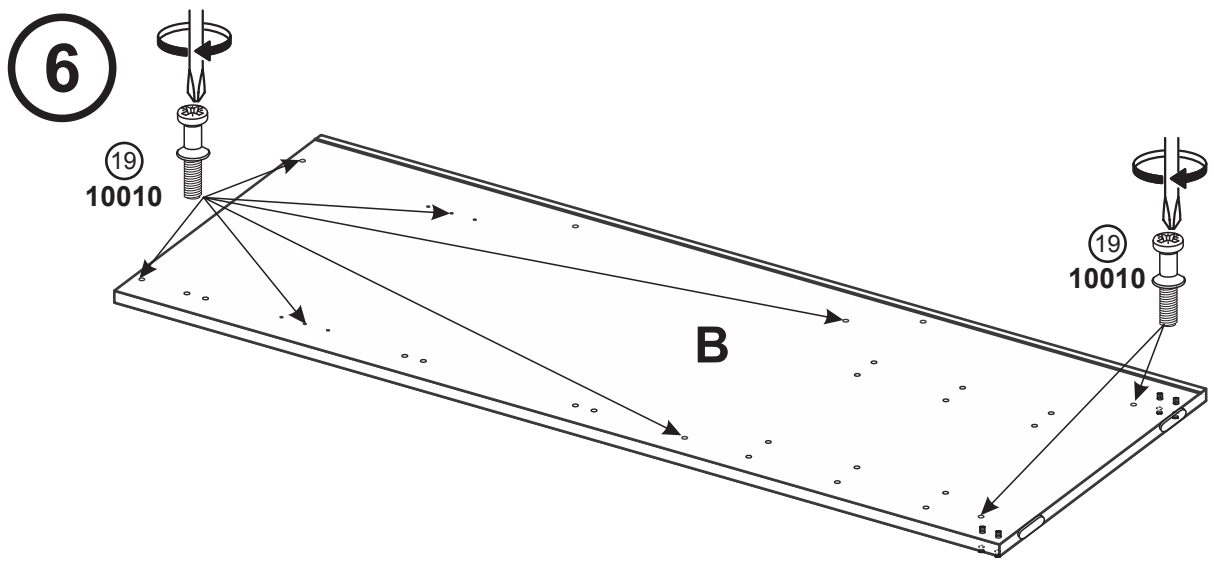
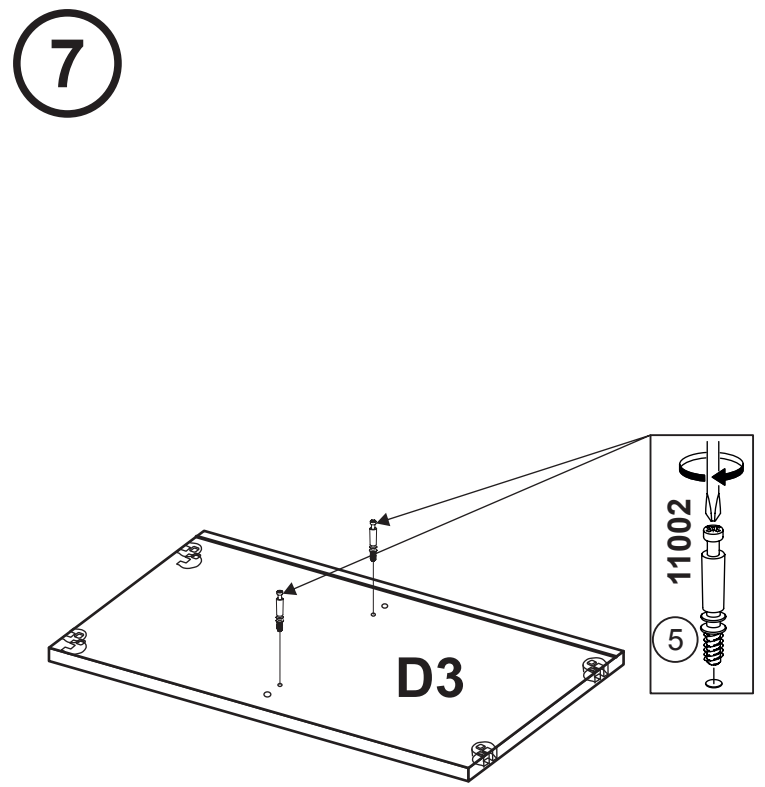
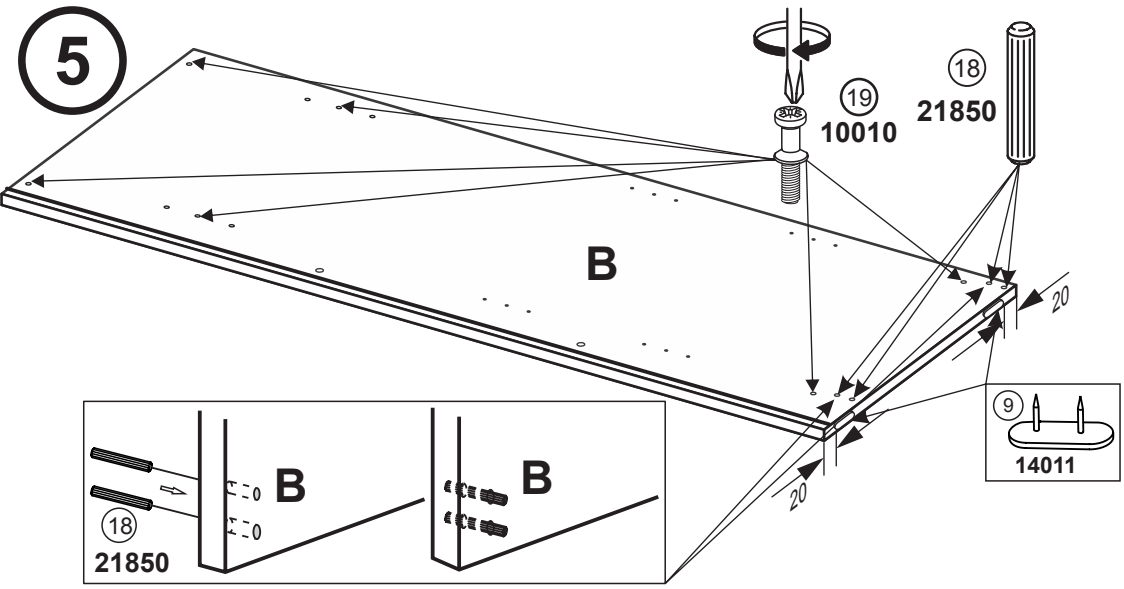


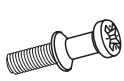
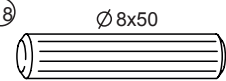
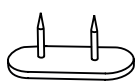
①  $\varnothing 8 \times 30$ x36 21008	②  $\varnothing 4 \times 16$ x22 10416	③  $\varnothing 6,4 \times 50$ x6 07650	④  x1 07001	⑤  x10 11002	⑥  x10 11016	⑦  x3 05629
⑧  x3 05630	⑨  x6 14011	⑩  x8 16006	⑪  35mm x4 A 91267	⑫  35mm x4 B 57602	⑬  $\varnothing 6,3 \times 13$ x22 10613	⑭  $\varnothing 8 \times 60$ x2 10016
⑮  $\varnothing 5 \times 60$ x2 10443	⑯  x2 08011	⑰  $\varnothing 4,2 \times 13$ x4 10413	⑱  $\varnothing 8 \times 50$ x4 21850	⑲  x26 10010	⑳  $\varnothing 6,3 \times 10$ x8 10615	㉑  x12 01001
㉒  $\varnothing 30 \times 15$ x4 80333	㉓  x3 $\varnothing 4 \times 22$ 19012	㉔  x3 $\varnothing 4 \times 22$ 65788	㉕  x8 05030	㉖  $\varnothing 3,5 \times 15$ x16 10315	㉗  35mm x2 F 91270	㉘  35mm x1 E 91271
㉙  x6 00212	㉚  $\varnothing 4,2 \times 19$ x12 10419	㉛  $\varnothing 5 \times 13$ x24 10513				

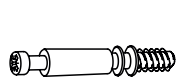


- (19)  x12
10010
- (9)  x4
14011

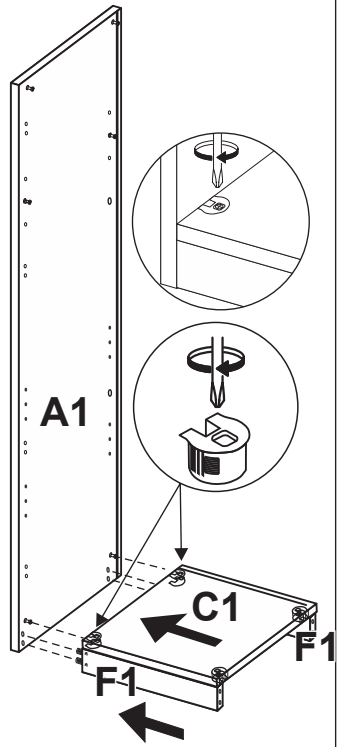
- (5)  x2
11002
- (1)  $\varnothing 8 \times 30$ x12
21008
- (6)  x4
11016



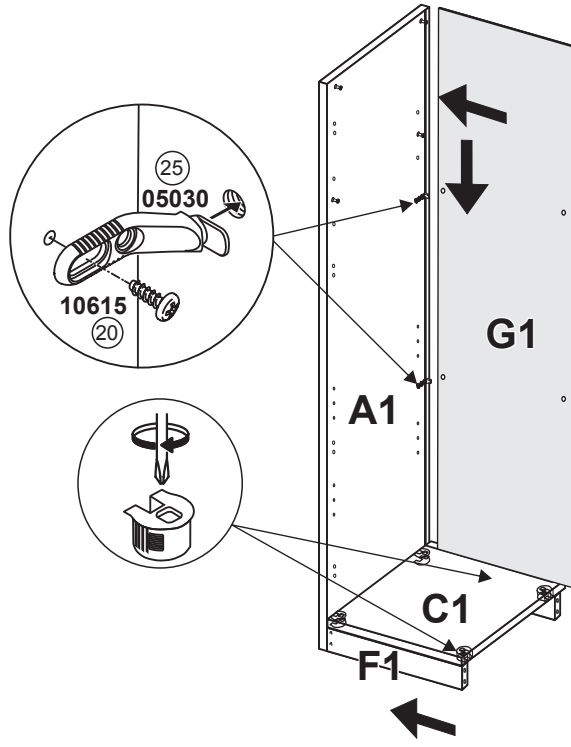
- | | | | |
|----|---|-------|-------|
| 19 |  | x14 | 10010 |
| 18 |  | Ø8x50 | x4 |
| 9 |  | | x2 |
| | | | 14011 |

- | | | | |
|---|---|----|-------|
| 5 |  | x2 | 11002 |
|---|---|----|-------|

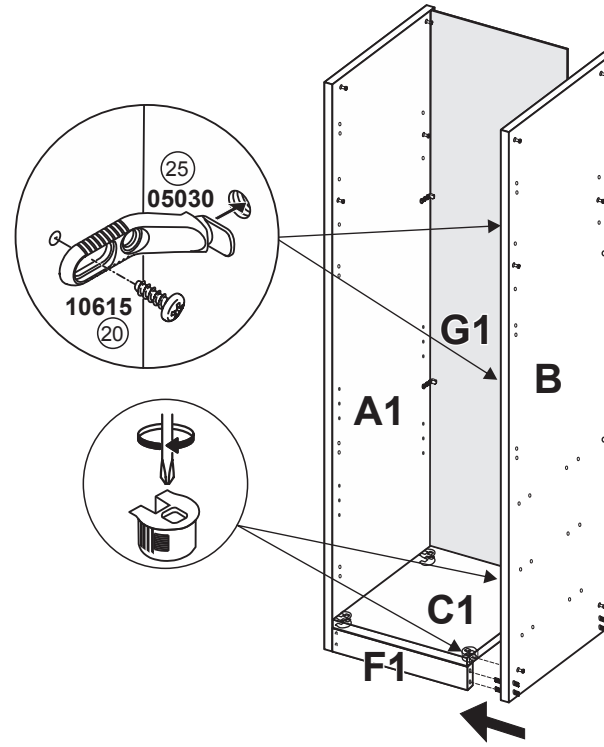
8



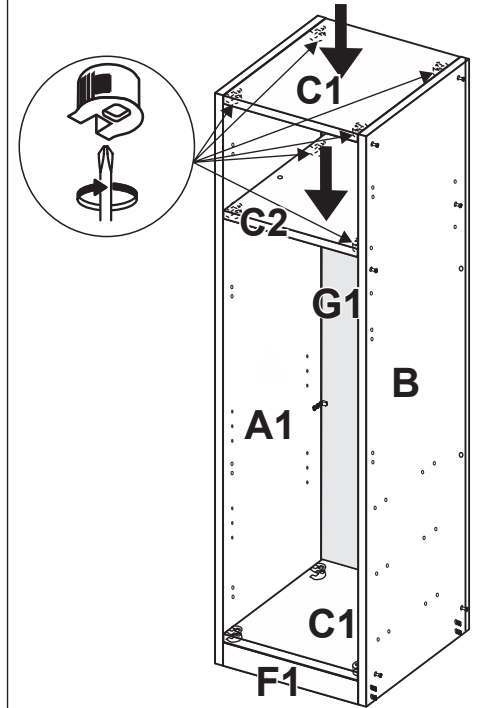
9



10

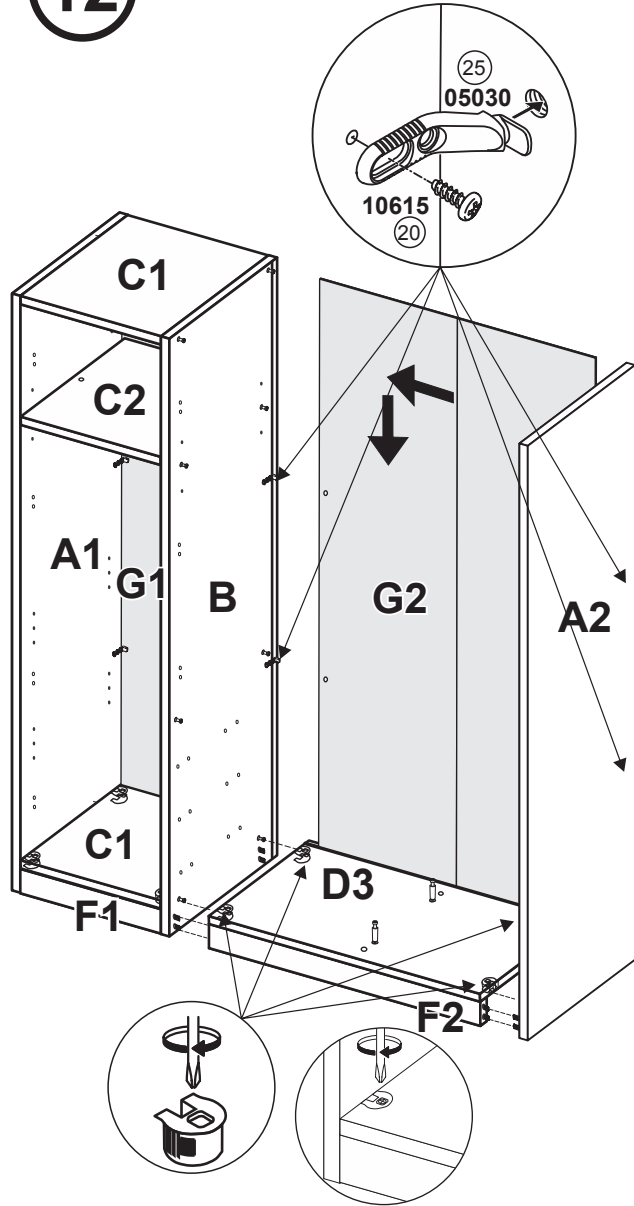


11

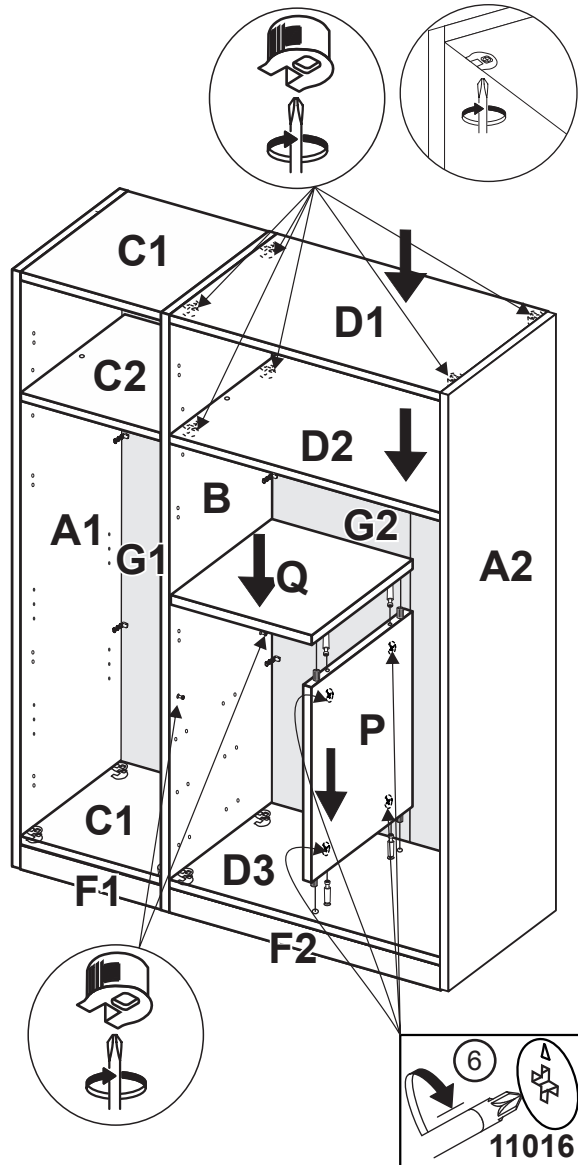


<p>25</p> <p>x4</p> <p>05030</p>	<p>20</p> <p>Ø 6.3x10</p> <p>x4</p> <p>10615</p>
----------------------------------	--

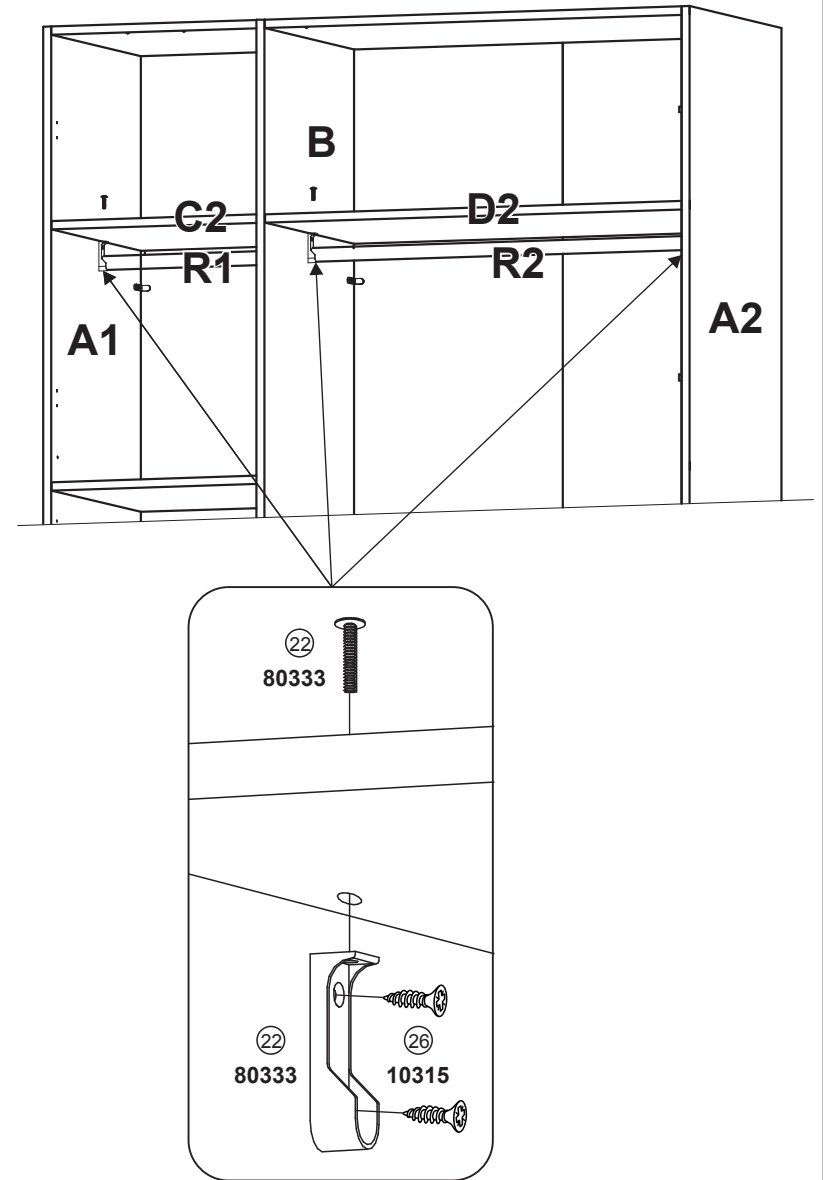
12


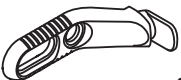


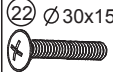

13



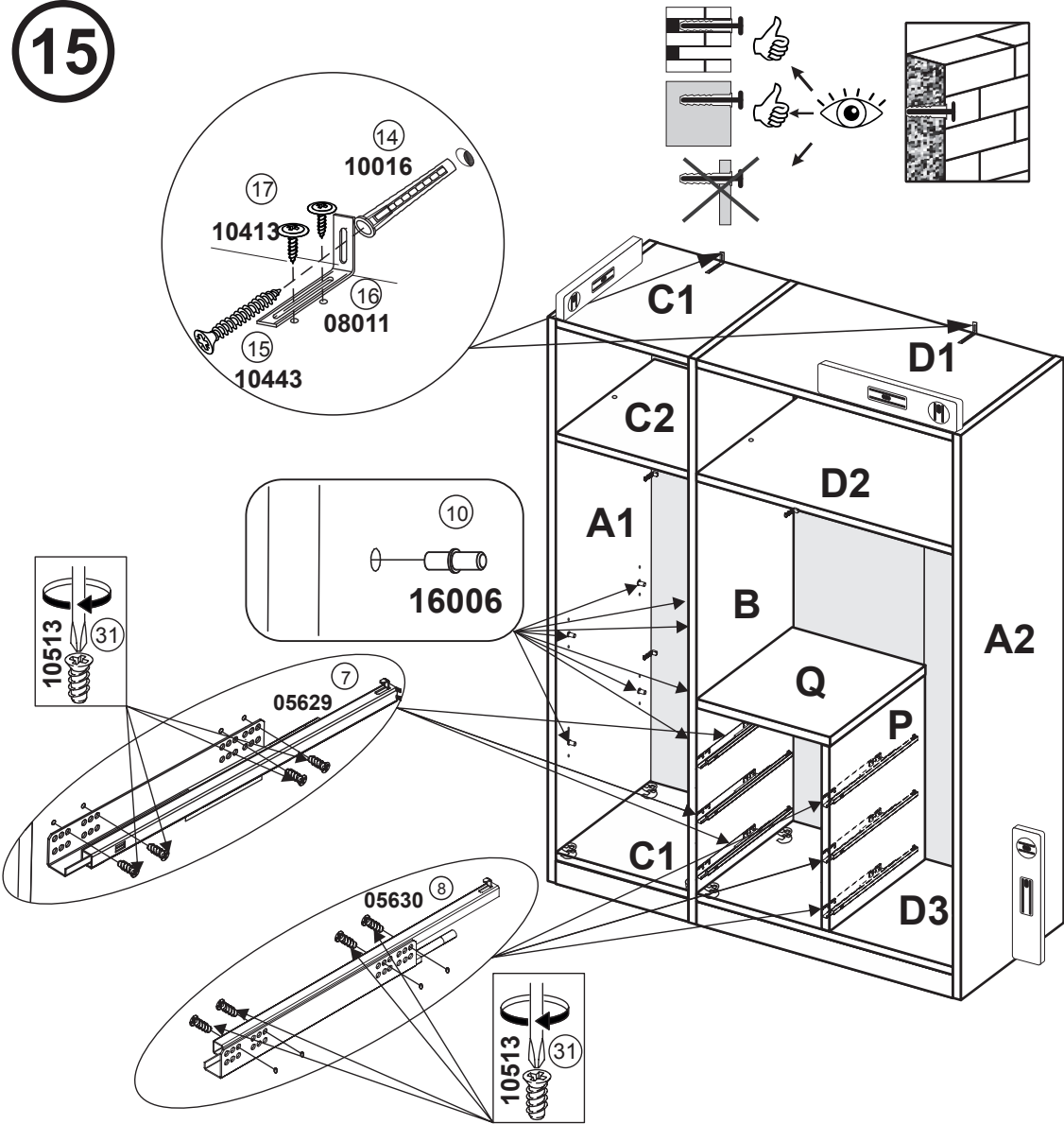
14



- 20

Ø6.3x10
x4
25

x4
- 10615
05030

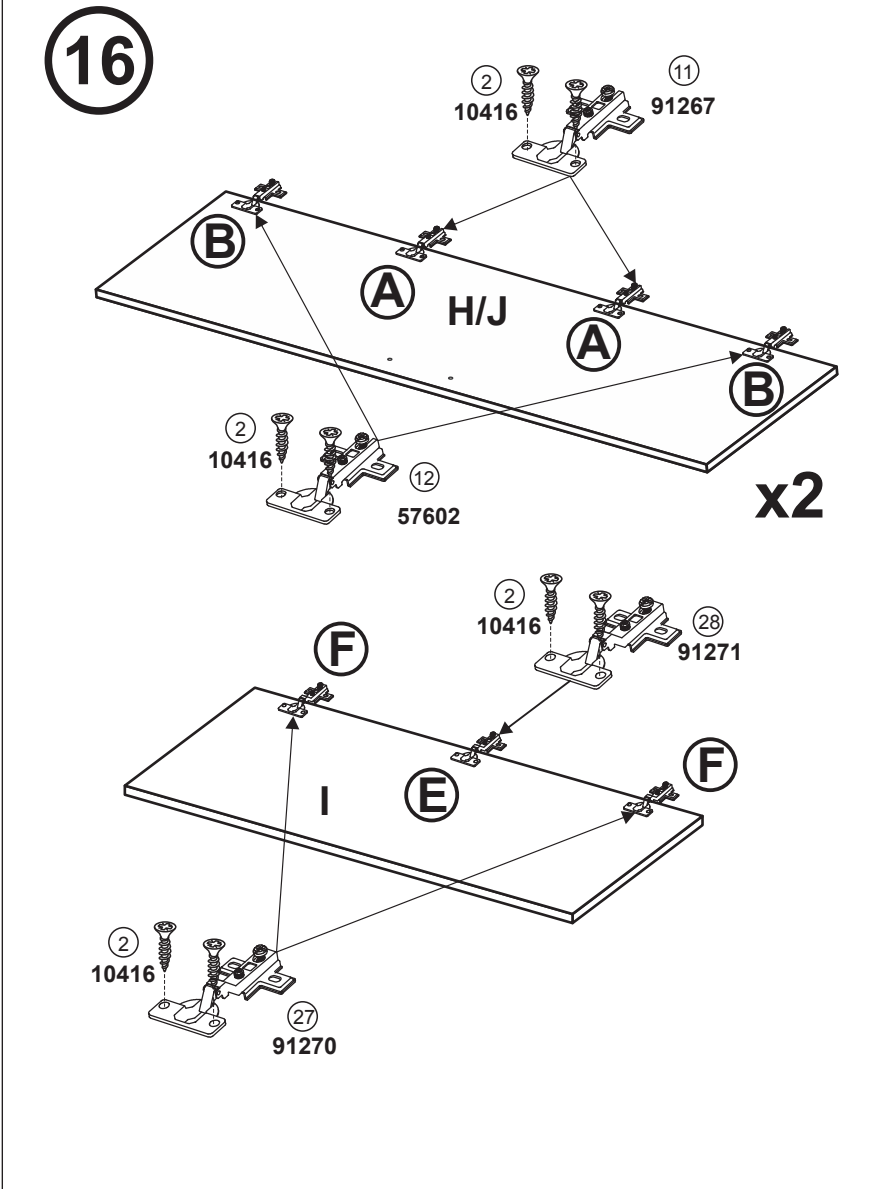
- 22

Ø30x15
x4
26

x8
- 80333
10315
80333
10315

15

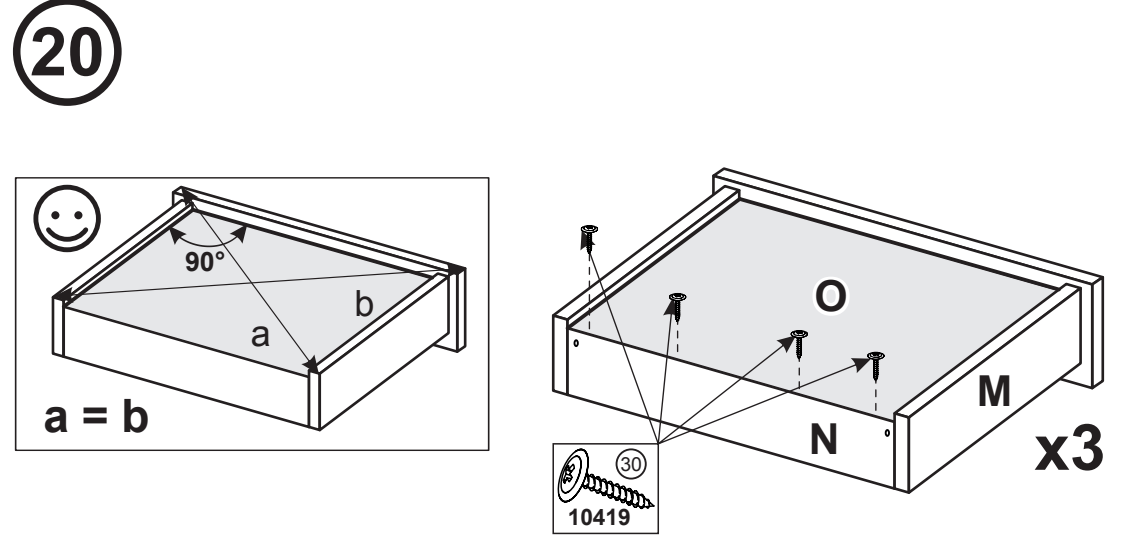
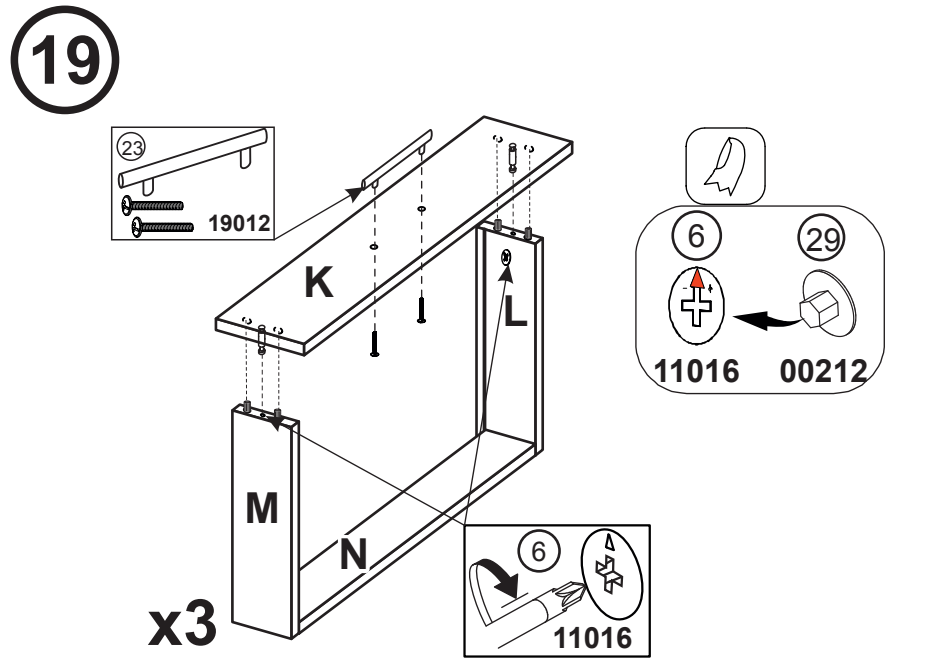
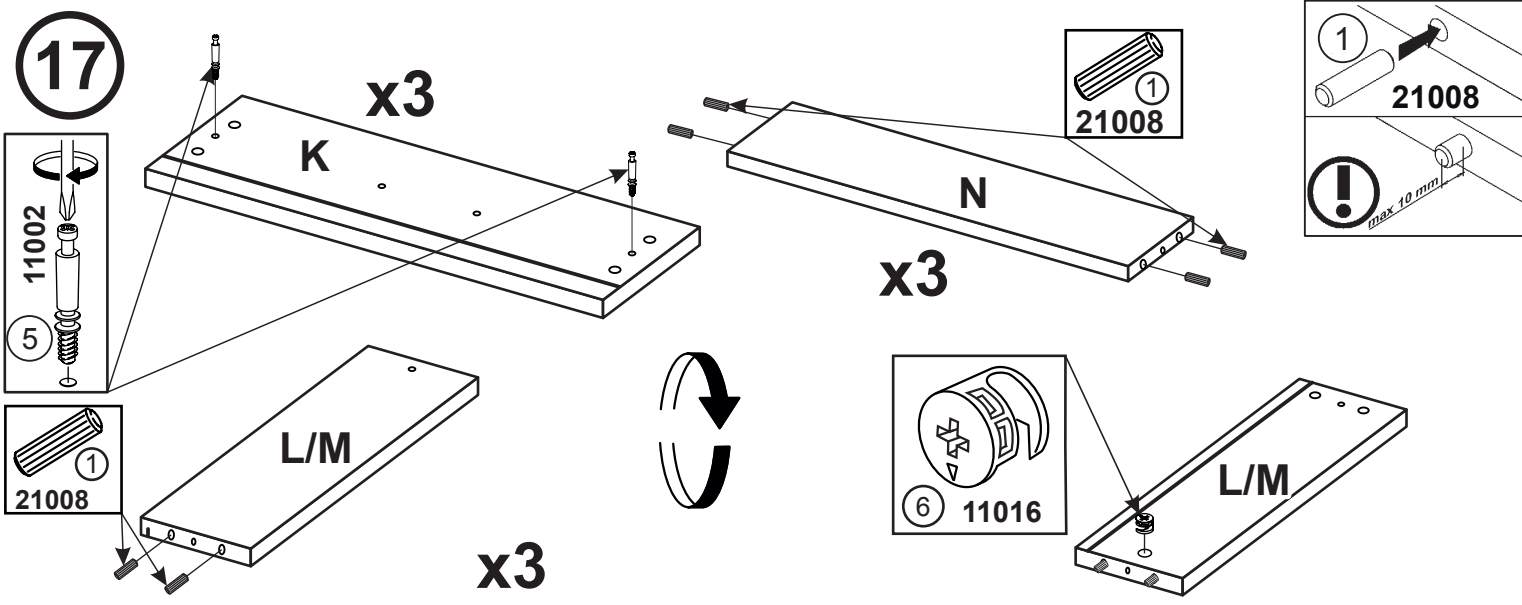


17	Ø 4.2x13	x4	16		x2	31	Ø 5x13	x24	7		x3
	10413			08011			10513		05629		
14	Ø 8x60	x2	15	Ø 5x60	x2	10		x8	8		x3
	10016			10443			16006		05630		

16

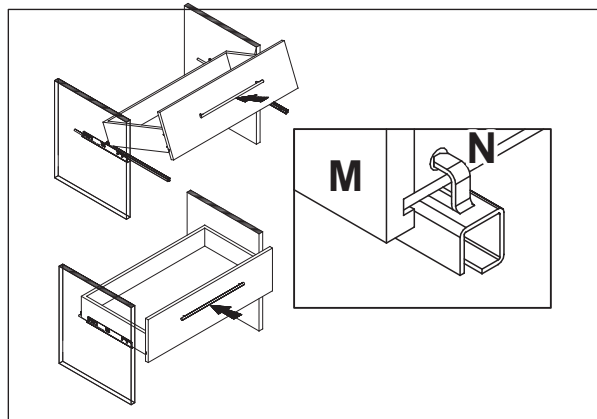
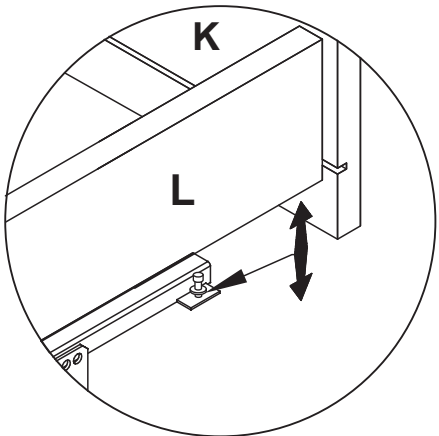
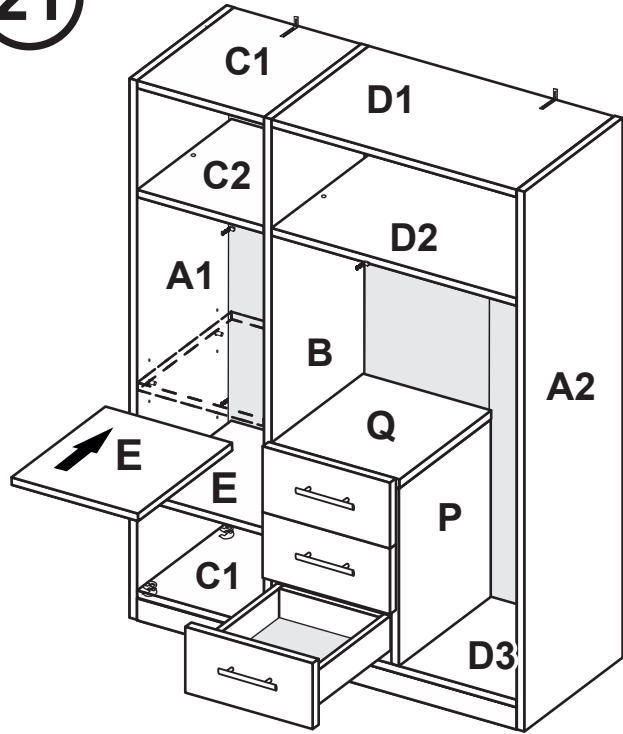


2	Ø 4x16	x22	11	35mm	x4	12	35mm	x4	27	35mm	x2
	10416		A	91267		B	57602		E	91271	
									F	91270	

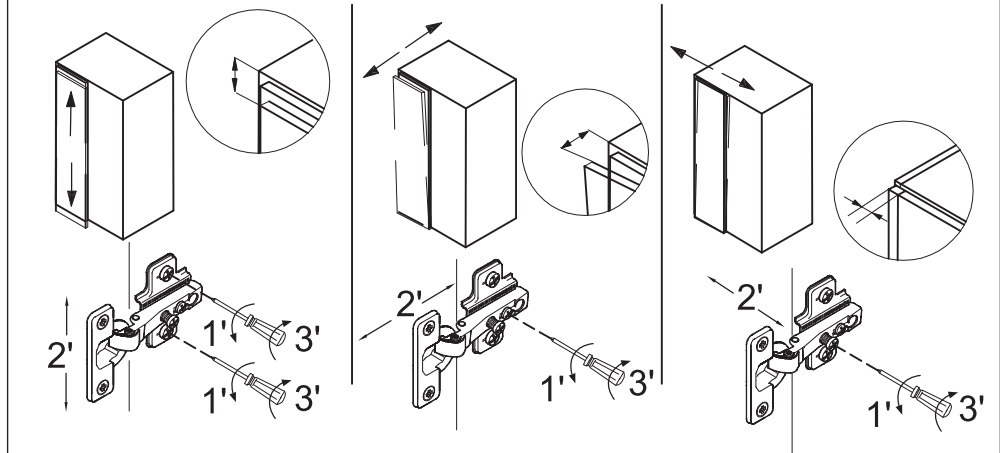
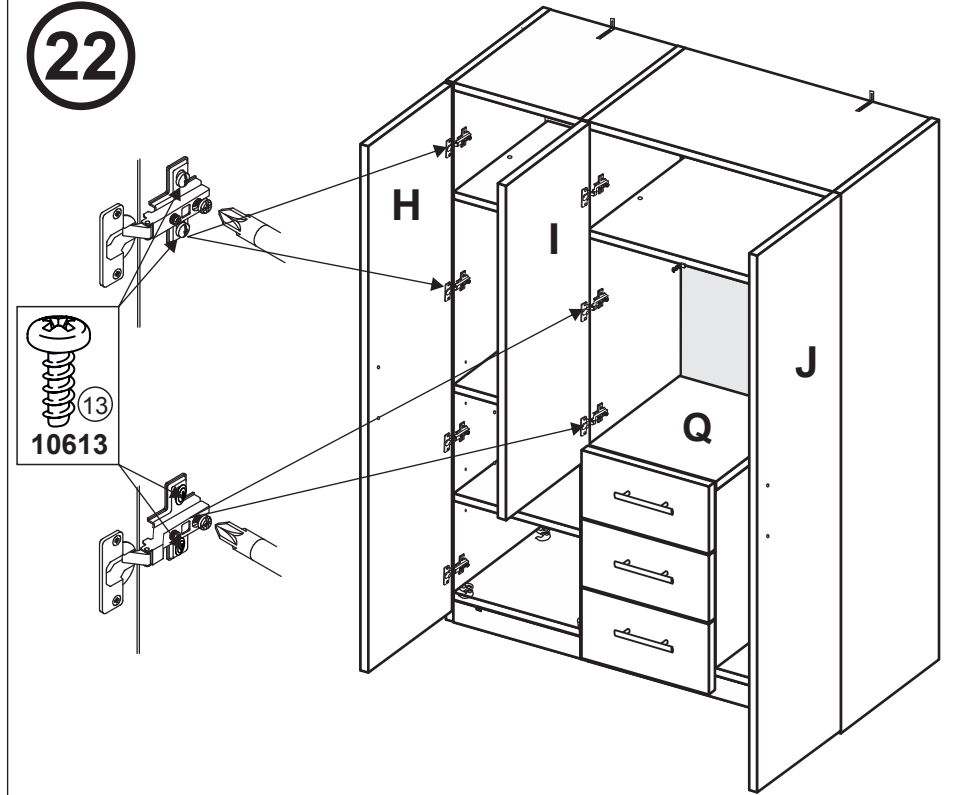


- | | | | | | | |
|--------------------------|---------------------------|--------------------------|--------------------------|---------------------------|----------------------------|---------------------------|
| <p>⑤ x6</p> <p>11002</p> | <p>① x24</p> <p>21008</p> | <p>⑥ x6</p> <p>11016</p> | <p>③ x6</p> <p>07650</p> | <p>②③ x3</p> <p>19012</p> | <p>③① x12</p> <p>10419</p> | <p>②⑨ x6</p> <p>00212</p> |
|--------------------------|---------------------------|--------------------------|--------------------------|---------------------------|----------------------------|---------------------------|

21



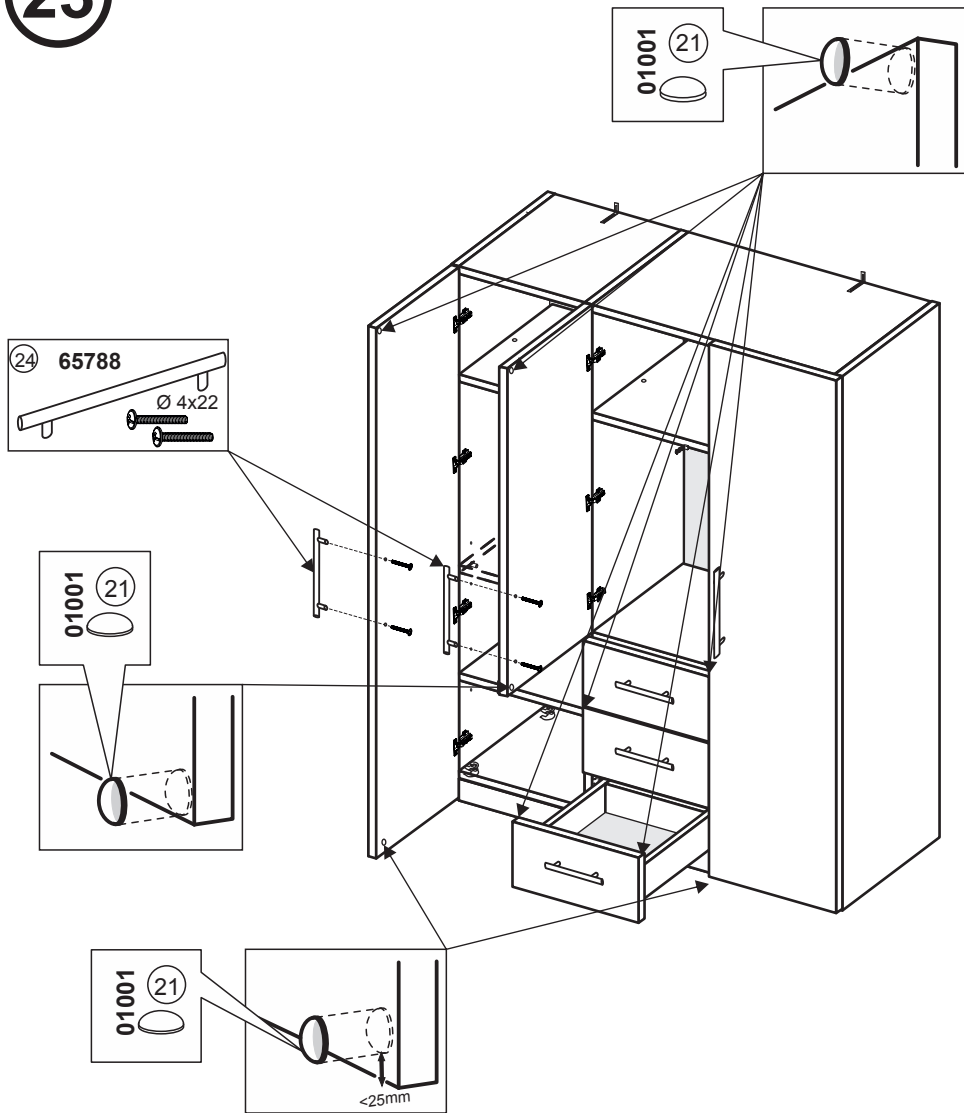
22



13 Ø6.3x13 x22
10613

10613

23


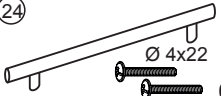
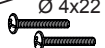


24 65788
 \varnothing 4x22

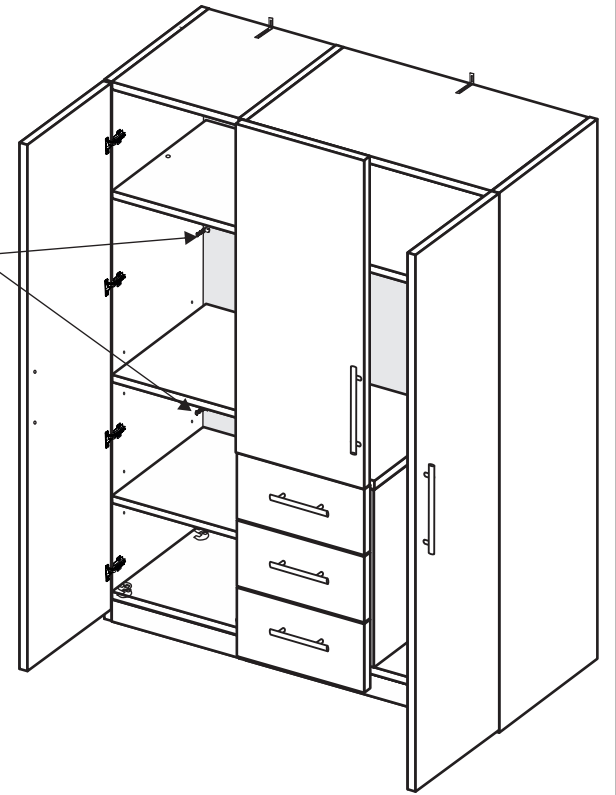
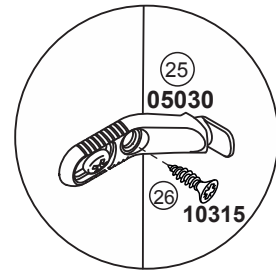
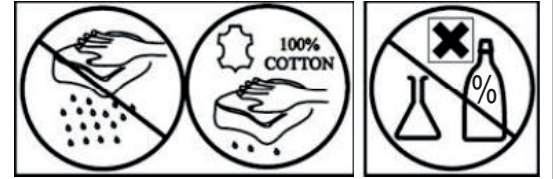
01001 (21)


01001 (21)

<math><25\text{mm}</math>

- (21)  x12
- (24)  x3
- 01001  65788

24



- (26)  \varnothing 3.5x15 x8
- 10315