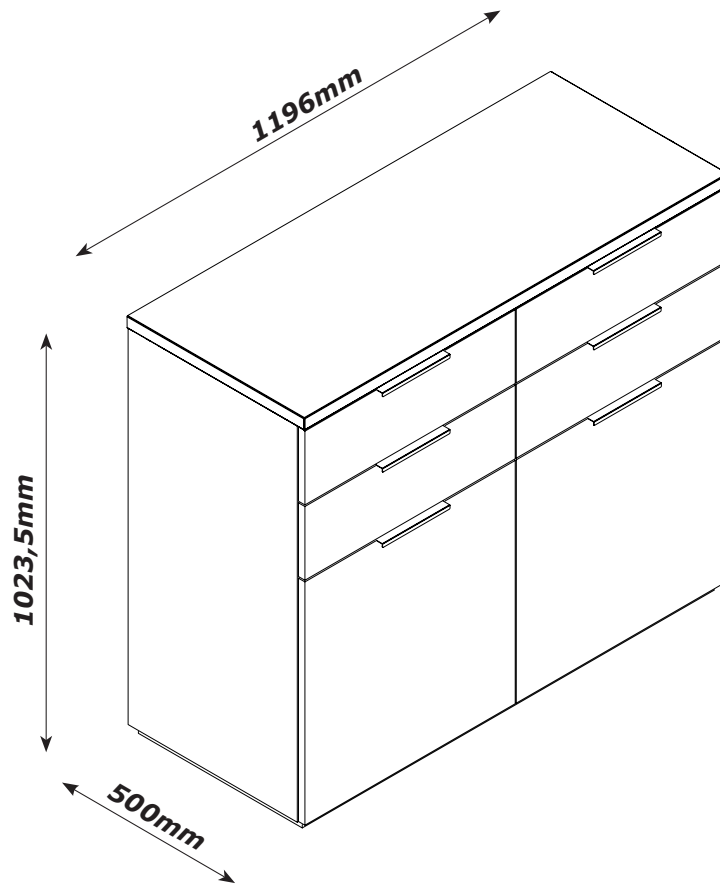
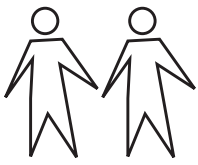


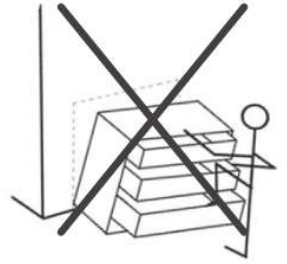
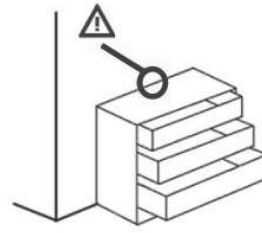
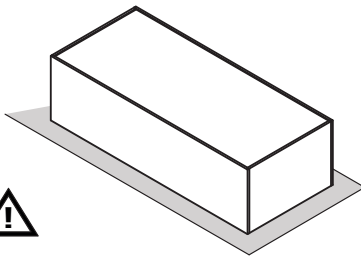
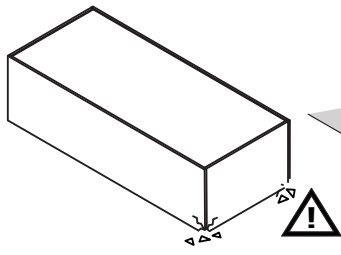
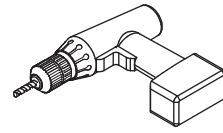
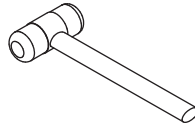
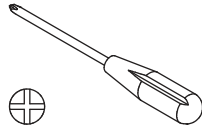
BS7402K64904



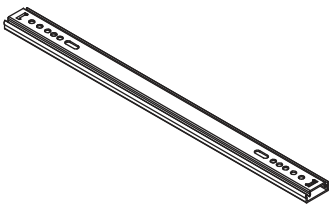
QF4986-2



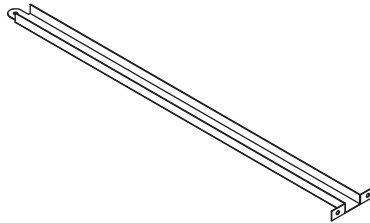
2,5h



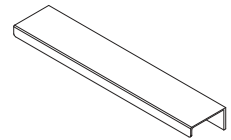
BU4161



A34
x8

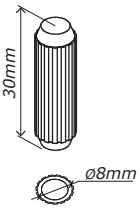


W420
x4



M94
x6

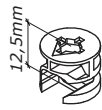
BU4108



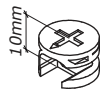
H1
x12



T28
x18



T7
x4



T98
x8



T99
x6



V38
x8



V5
x32



T53
x4



V107
x8



H2
x12



H15
x10



H54
x20



V98
x12



V115
x2



H113
x12



H139
x6



R40
x16



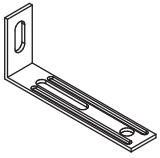
G31
x12



G128
x8



G57
x4



H185
x1

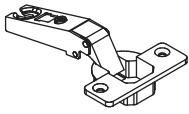


H129
x2

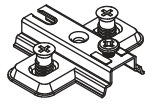


V81
x2

BU2782



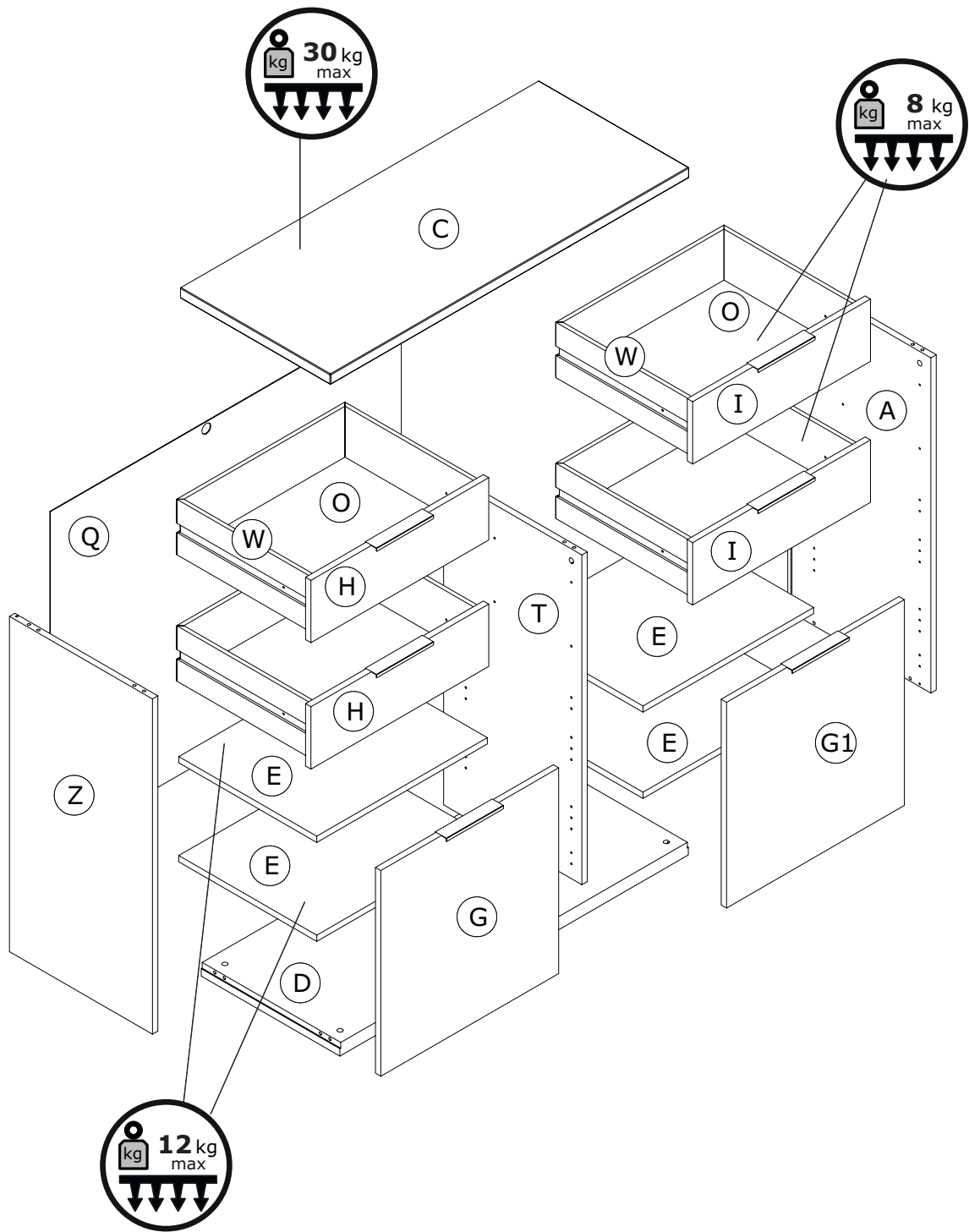
C66
x4

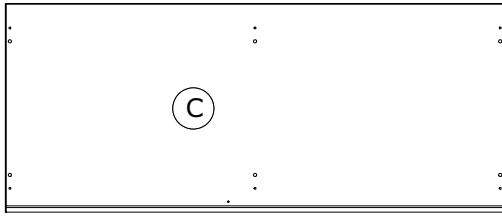


B30
x4

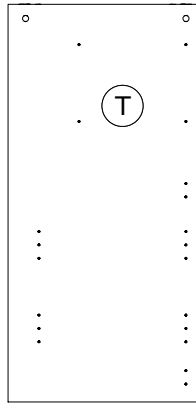


V5
x8

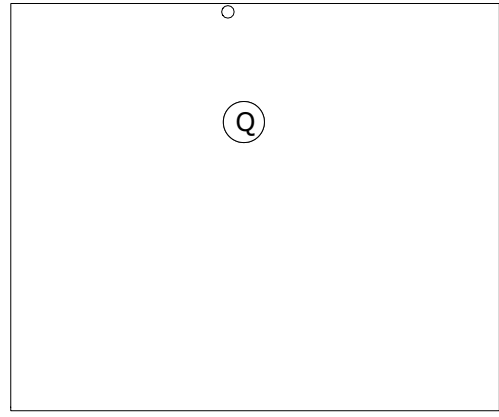




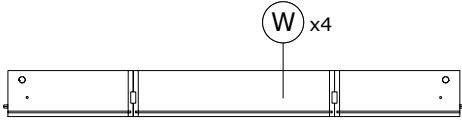
CA3502
1196x500x30mm



TR2182
952x461x18mm

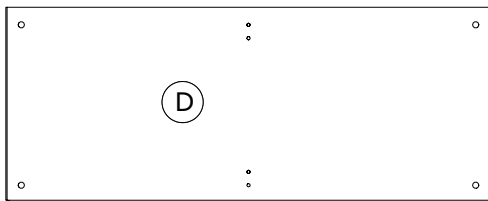


SS0721
1170x975x2mm

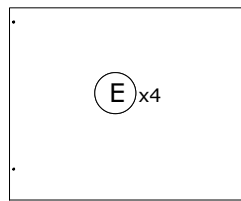


OF0660
450x561x450mm H.160mm

BOX 1/3

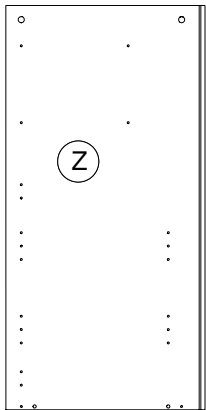


BA2142
1162x462x38mm

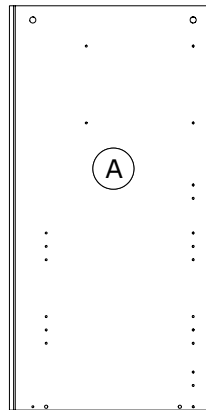


PI7071
569x460x18mm

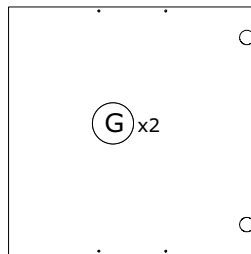
BOX 2/3



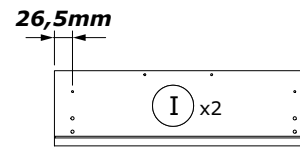
FI8497
968x477x18mm



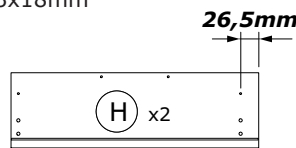
FI8499
968x477x18mm



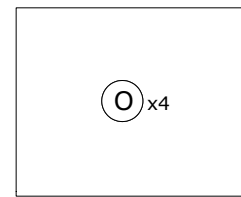
AN2799
594x593x18mm



CS3251
593x180x18mm



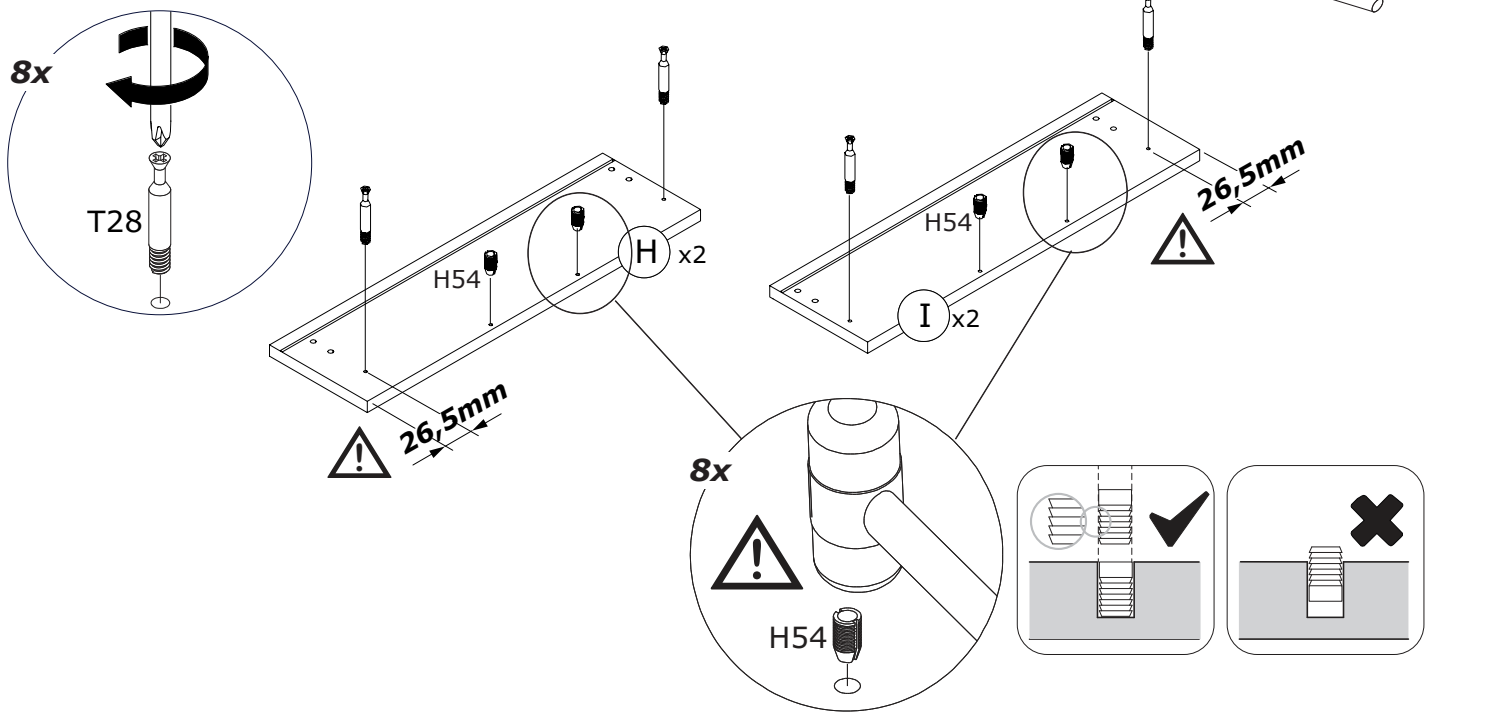
CS3249
593x180x18mm



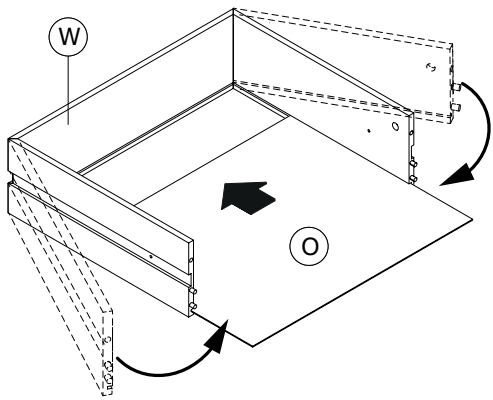
SH3635
548x451x2mm

BOX 3/3

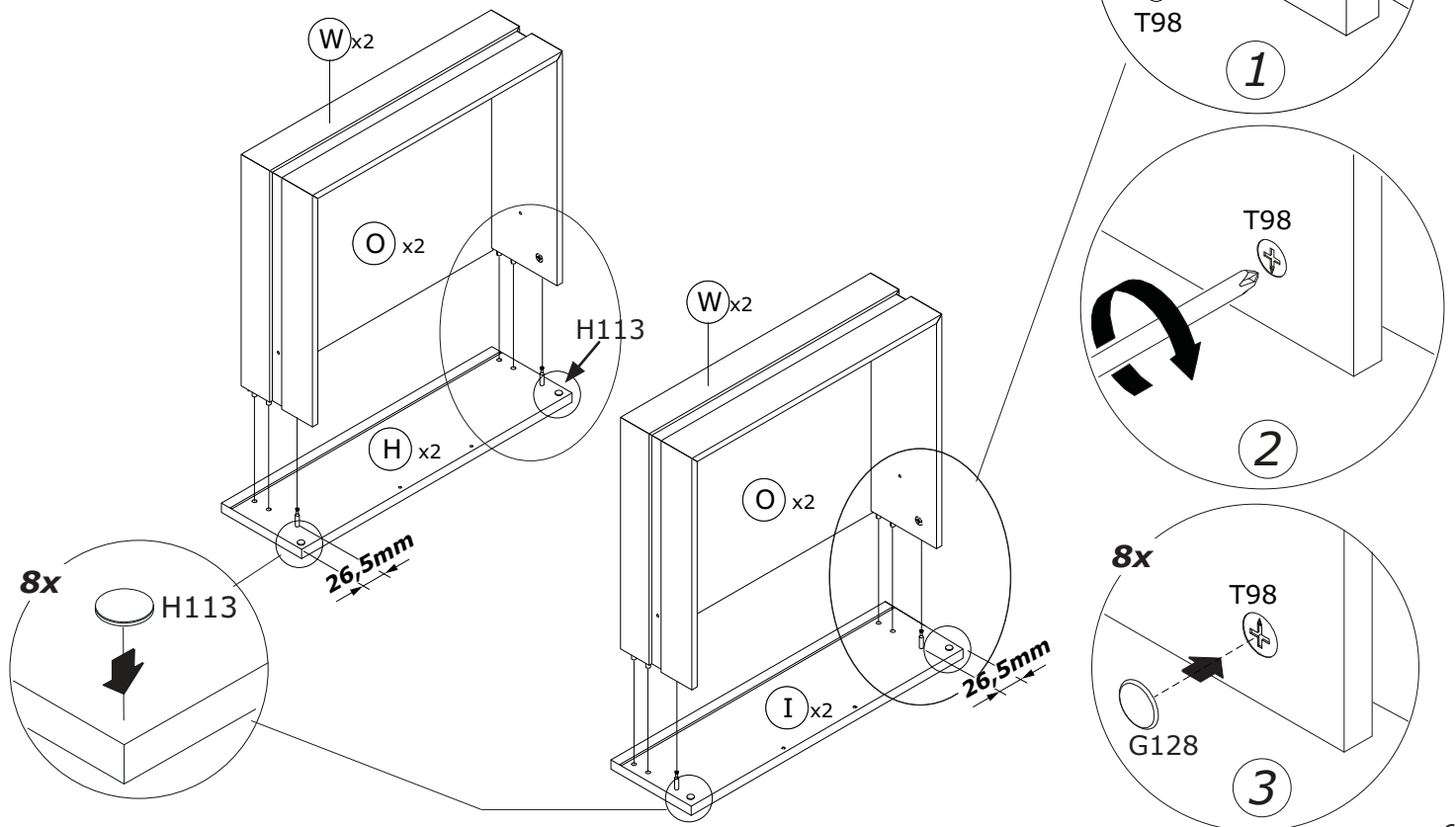
1



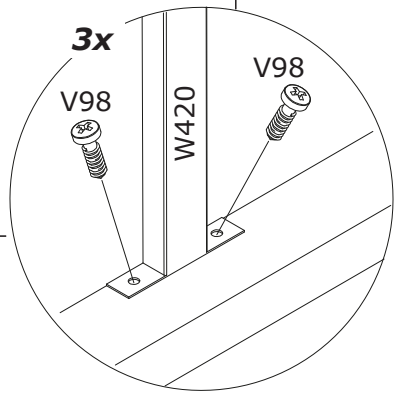
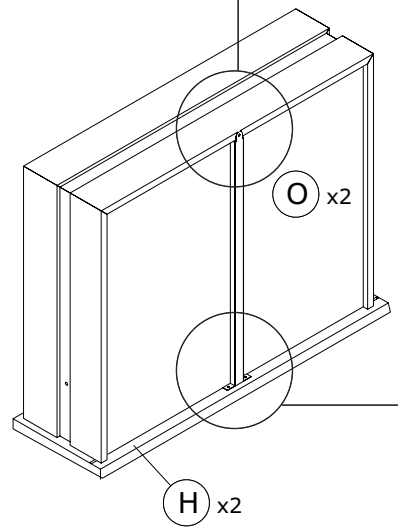
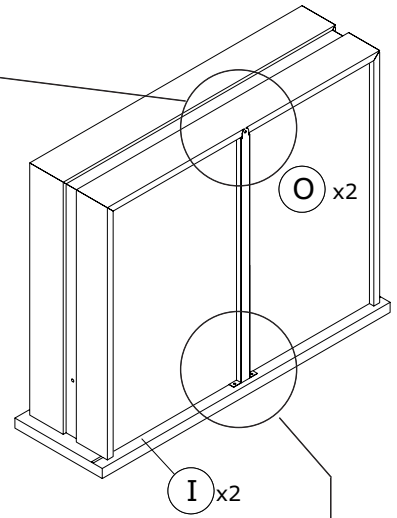
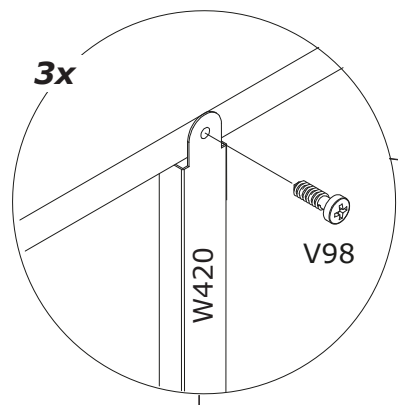
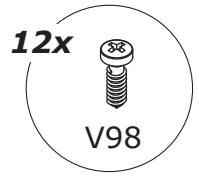
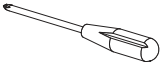
2



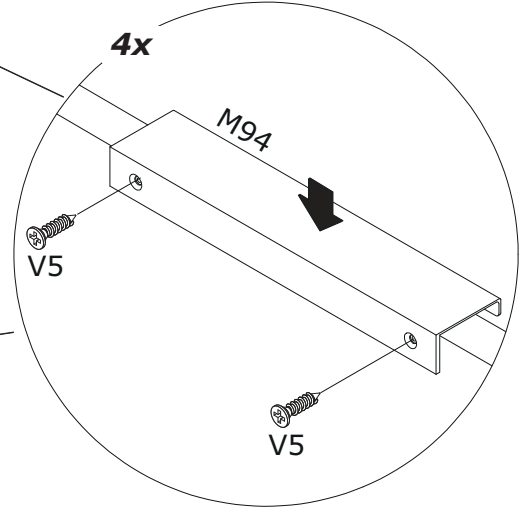
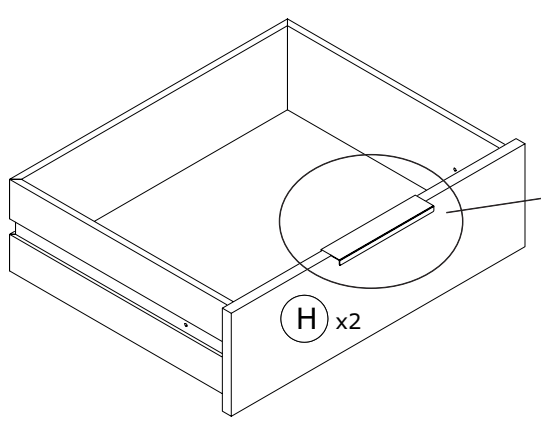
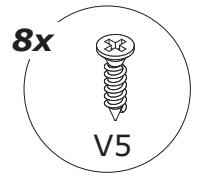
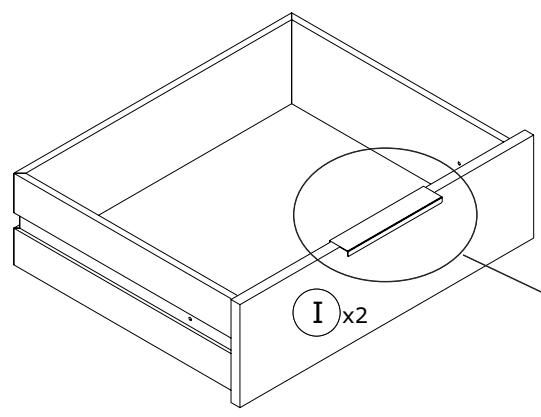
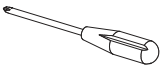
4x



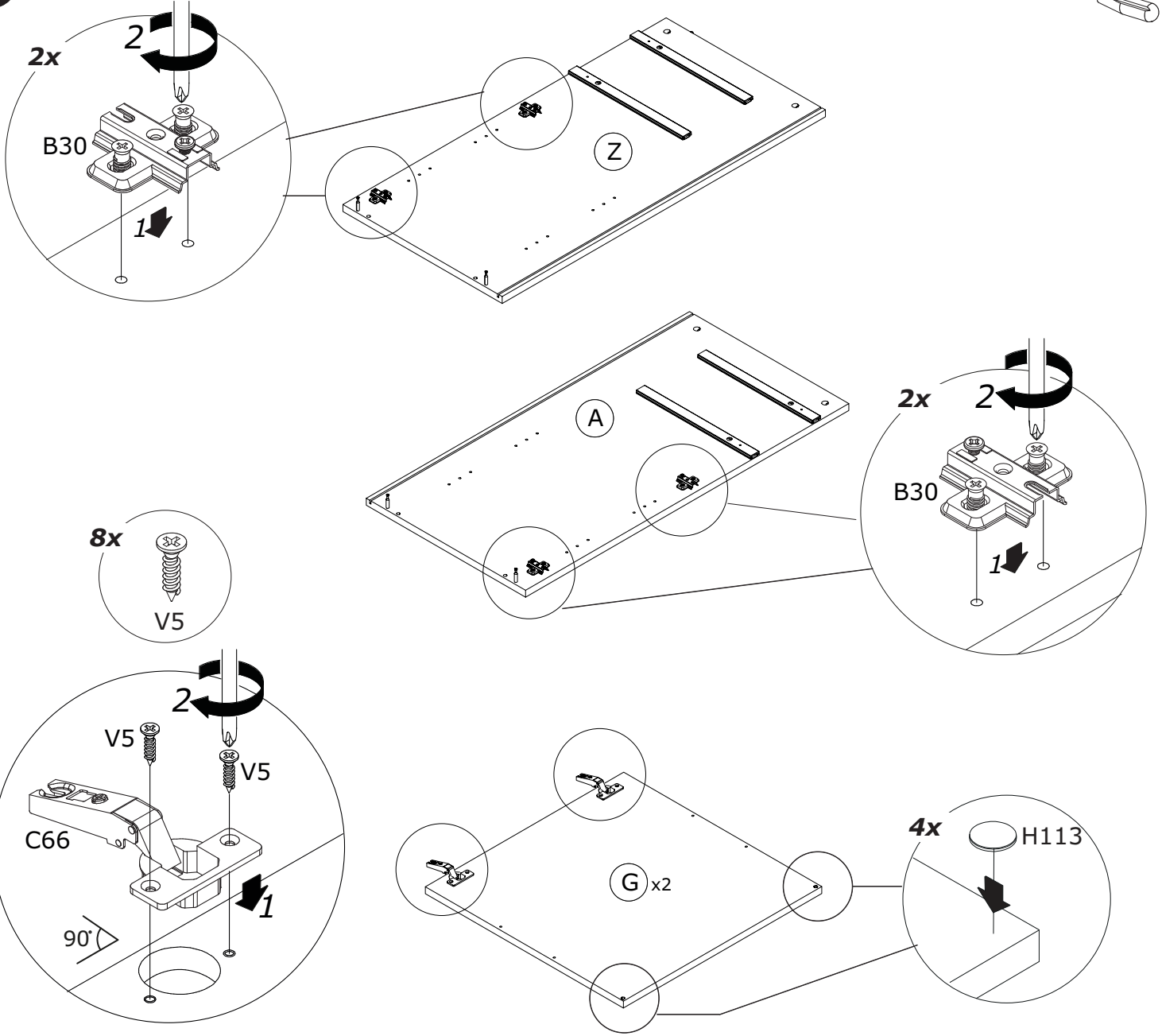
3



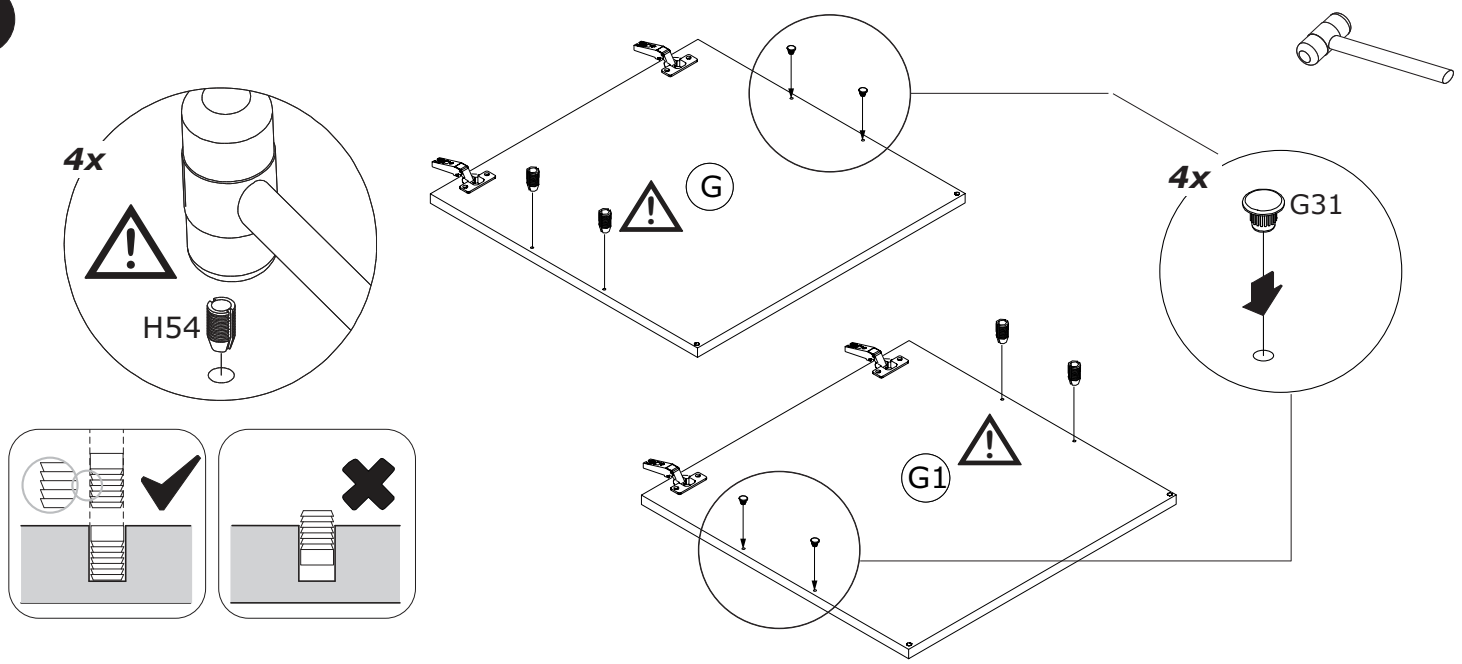
4



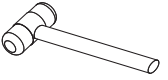
7



8

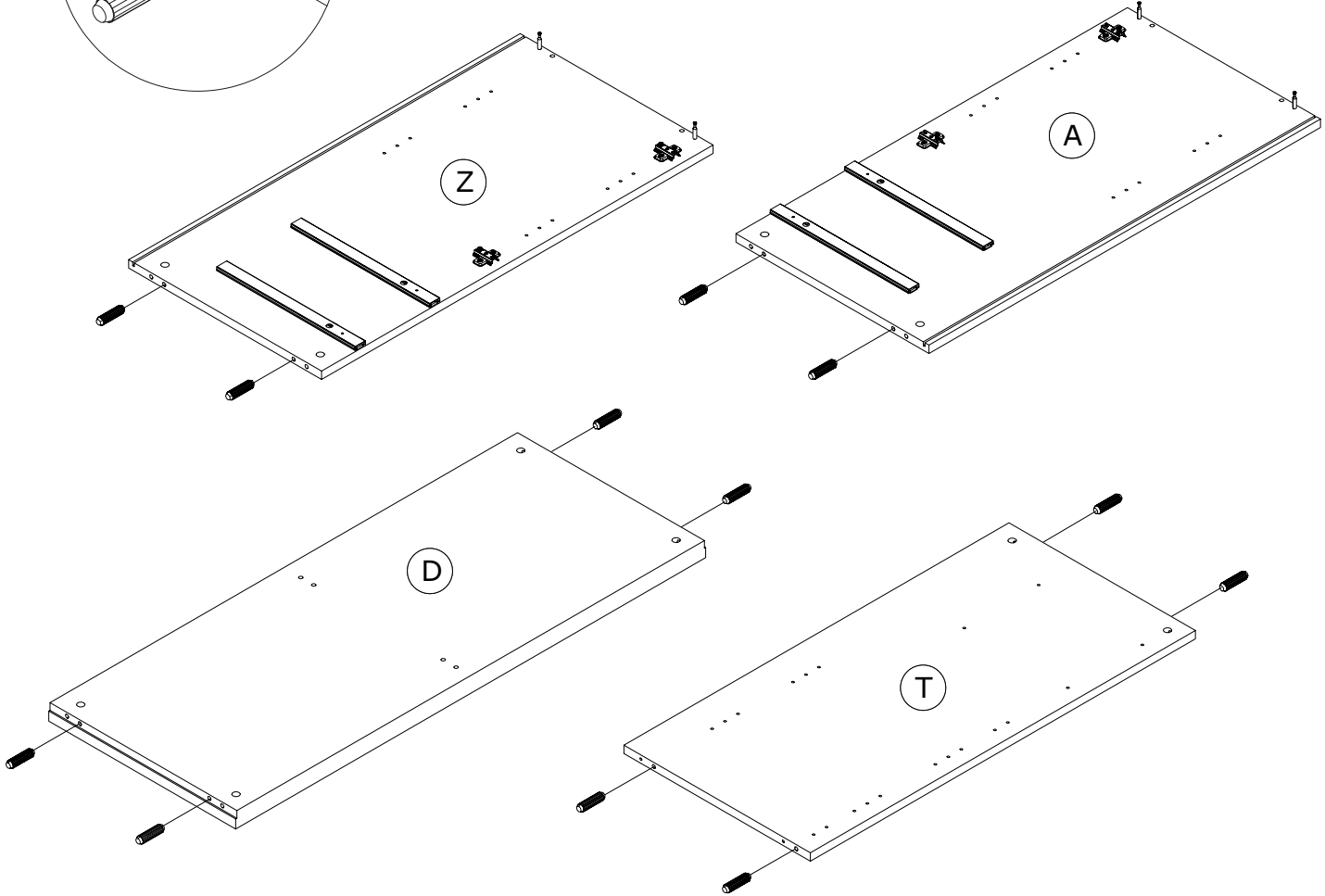


9

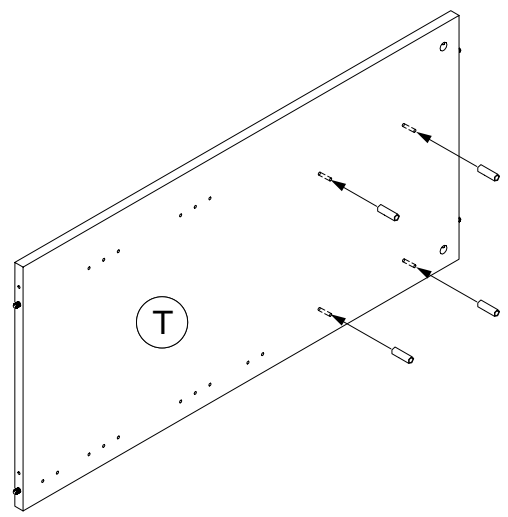
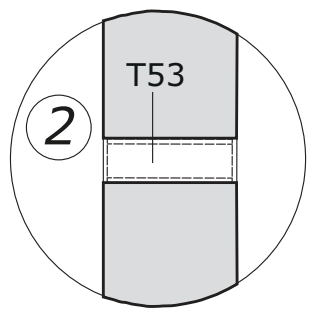
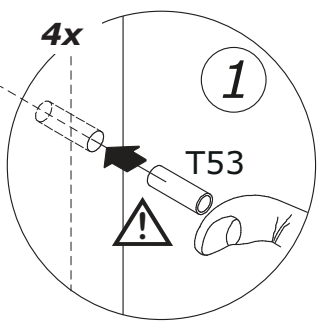


12x

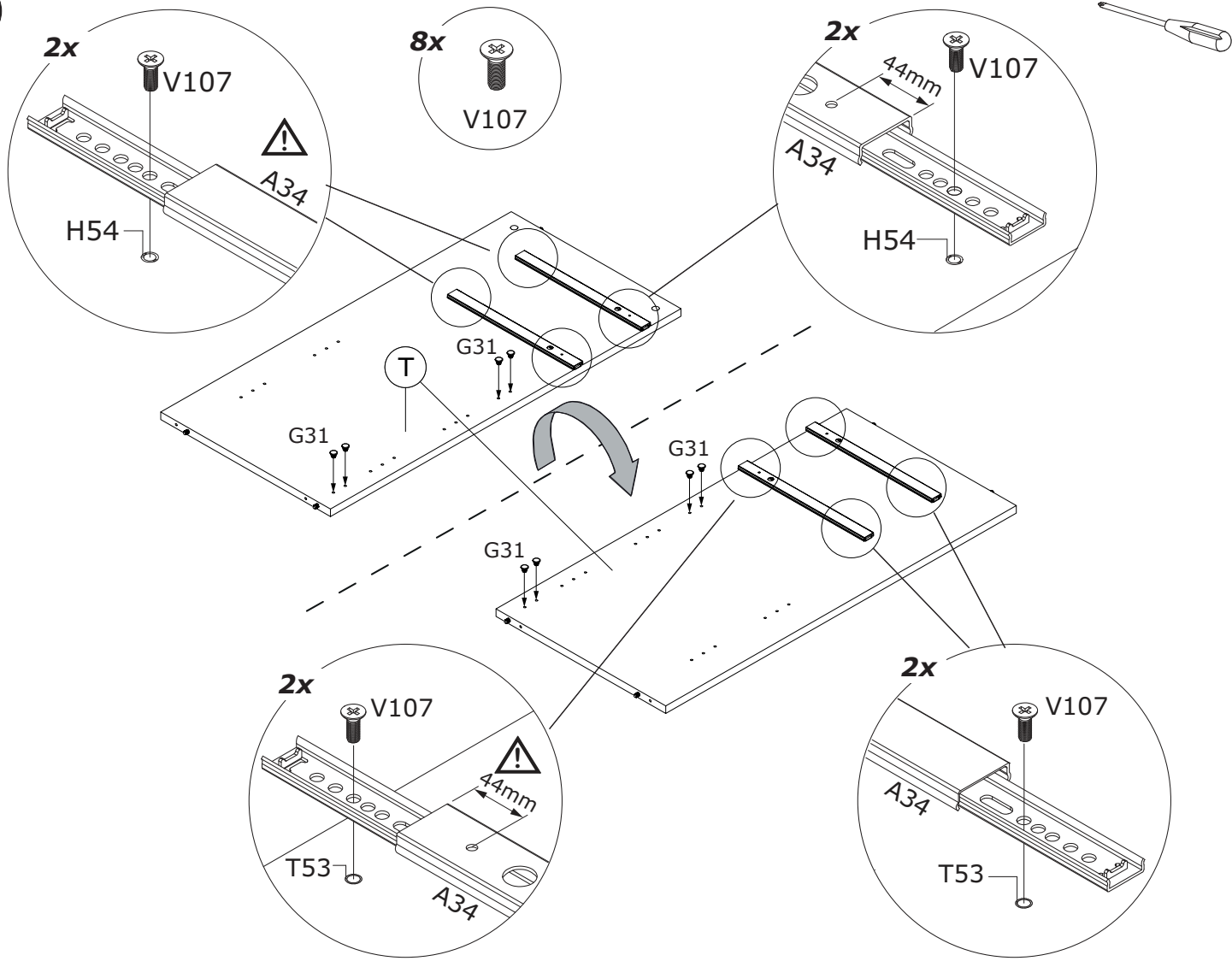
H1



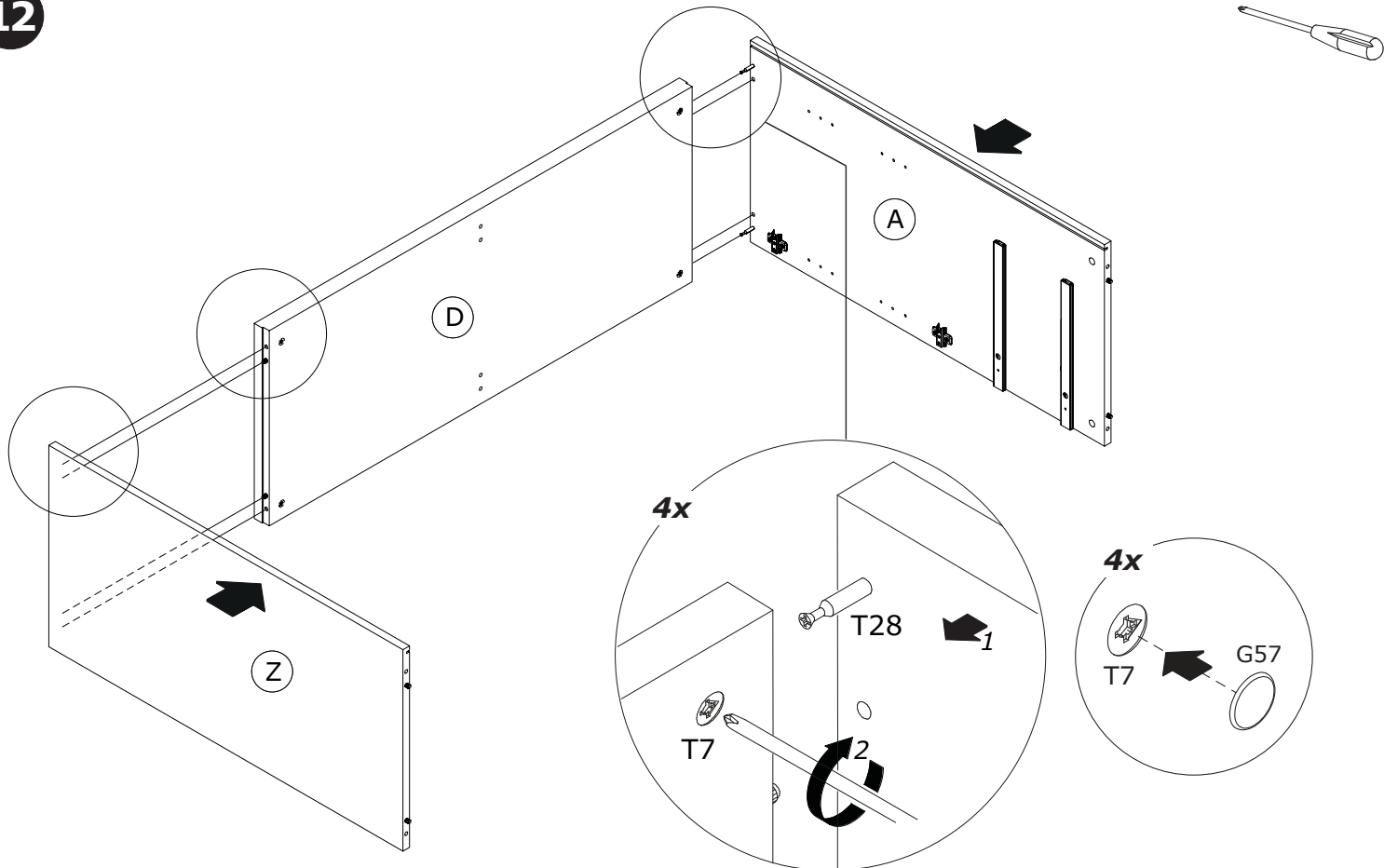
10



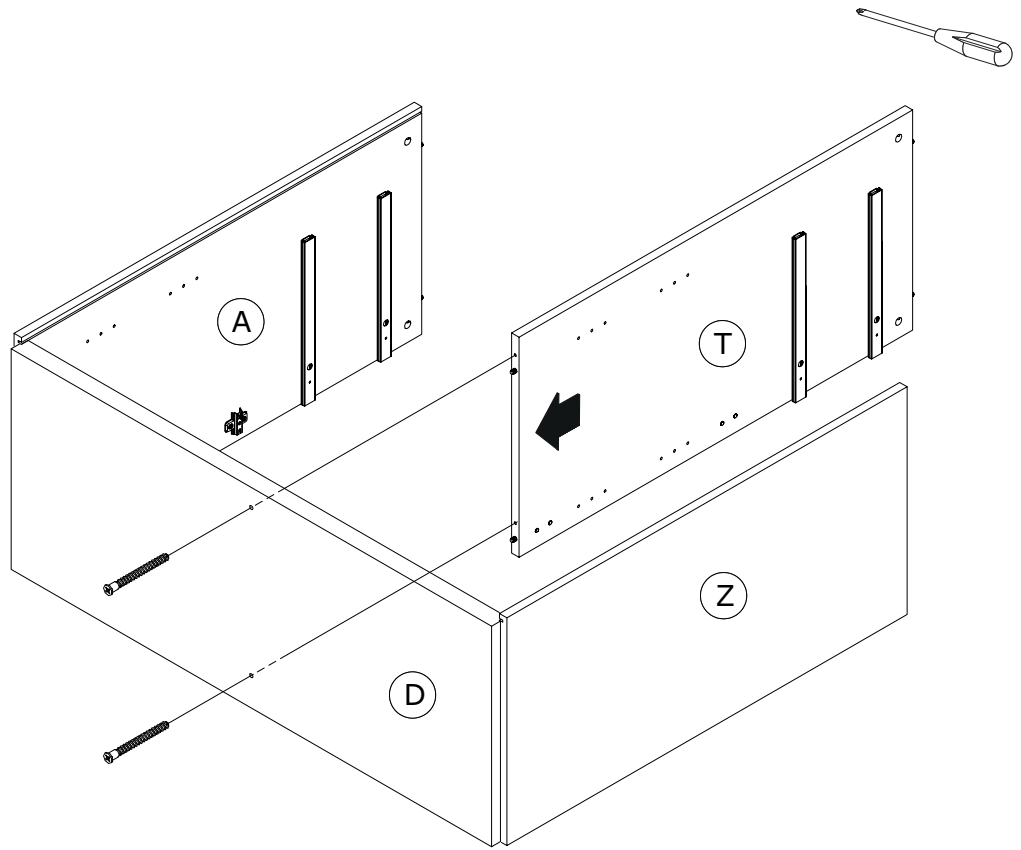
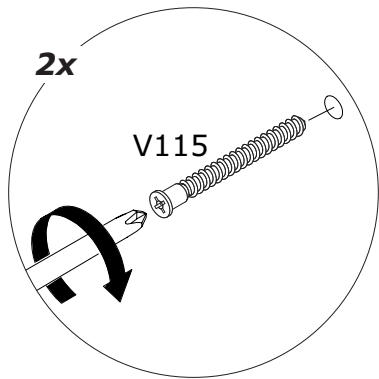
11



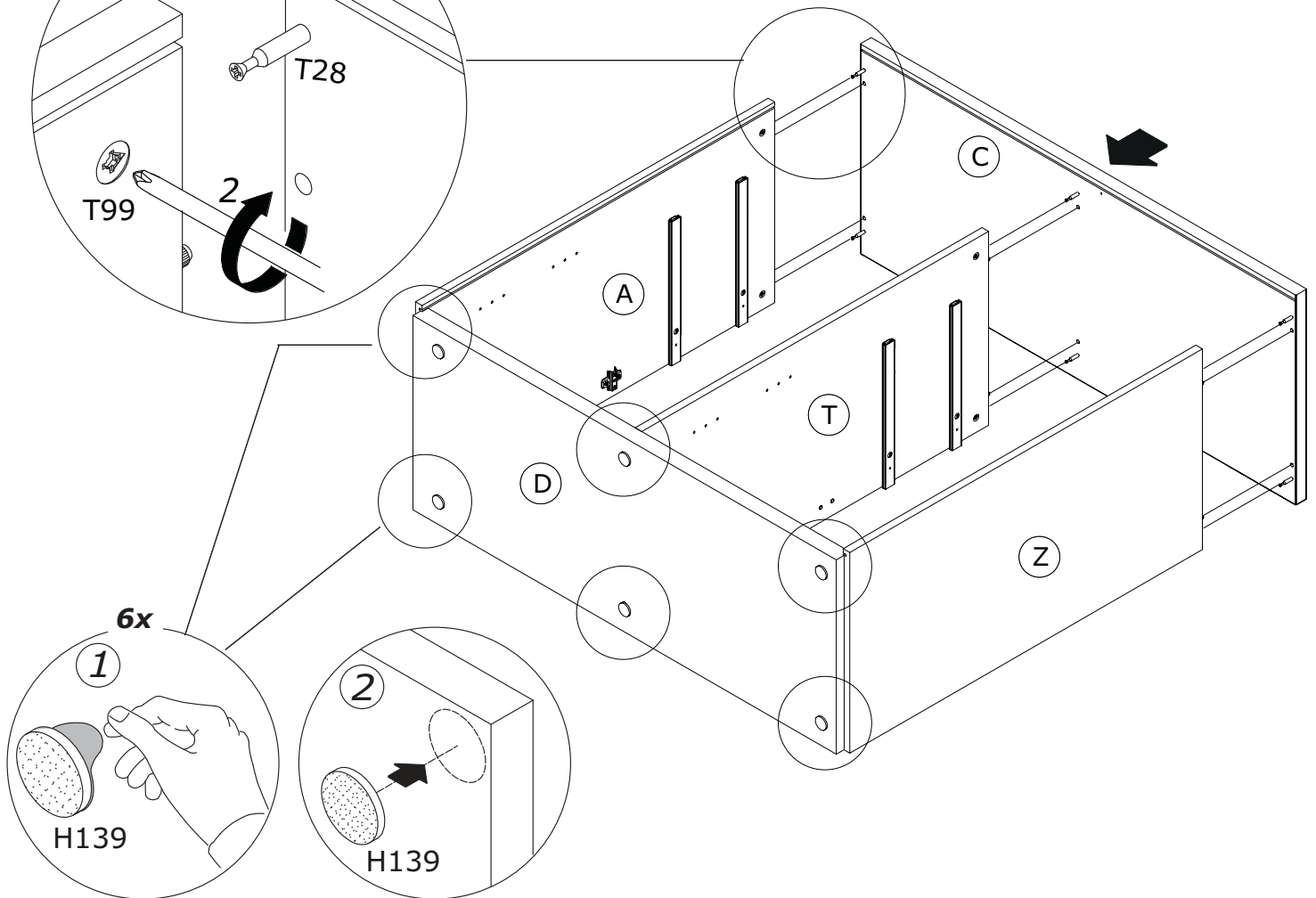
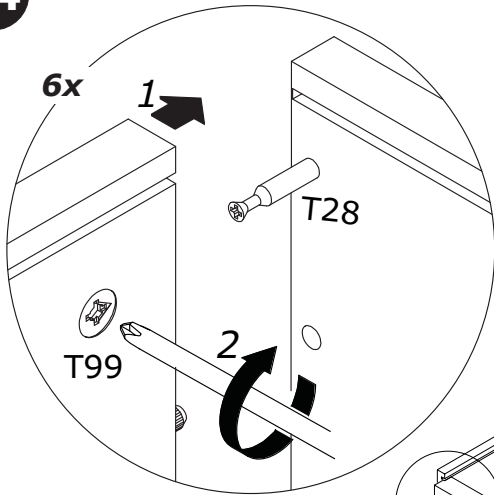
12



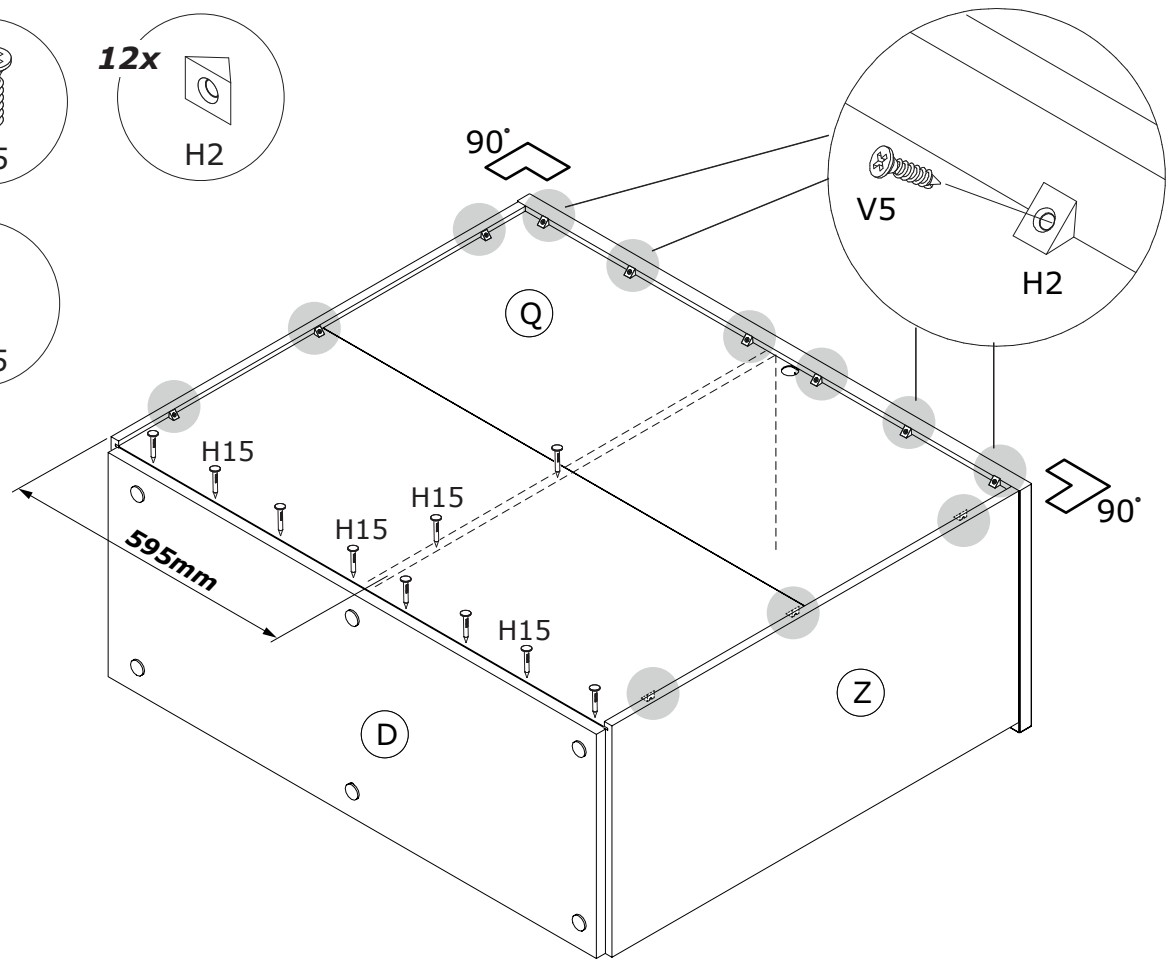
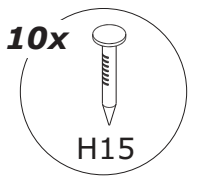
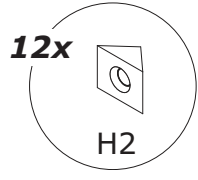
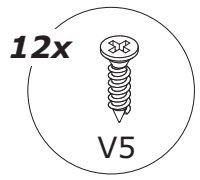
13



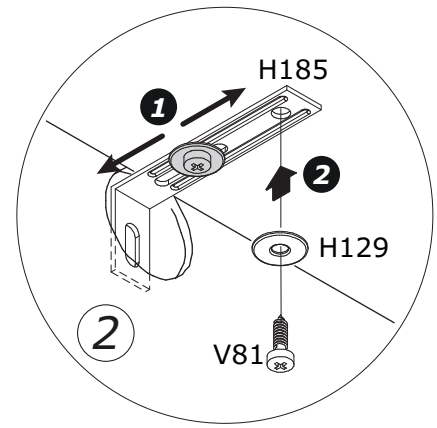
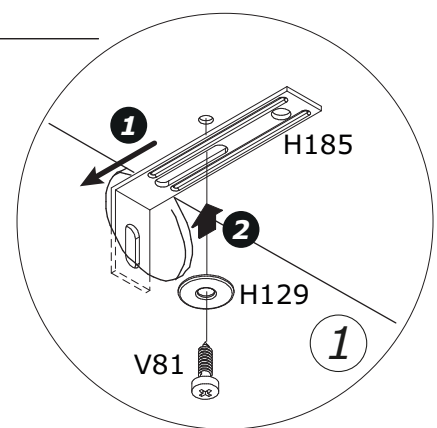
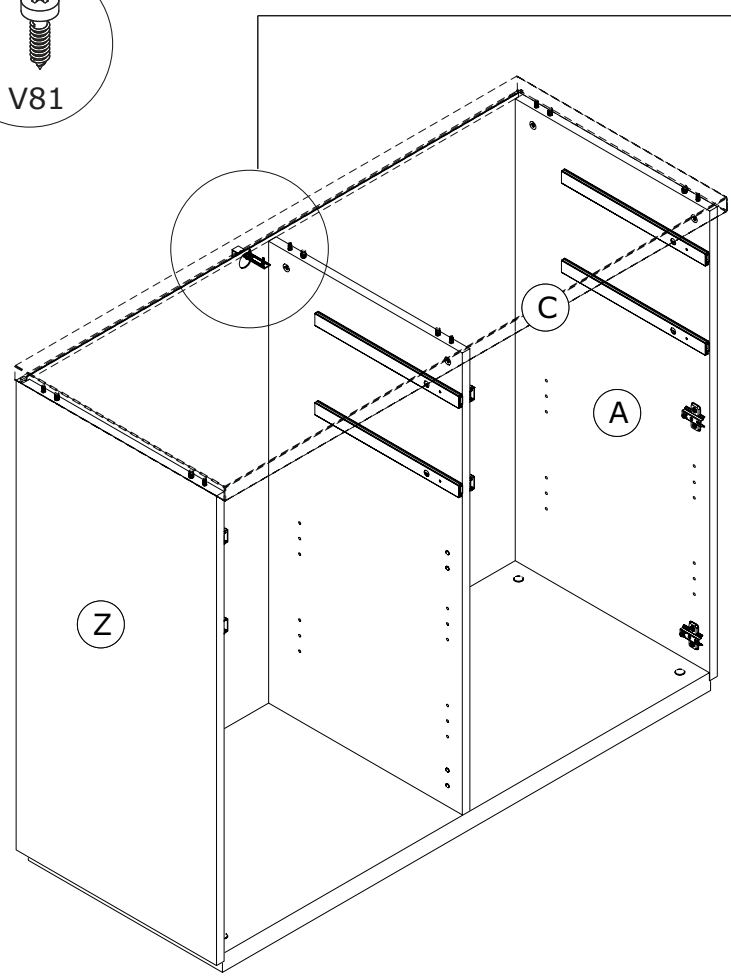
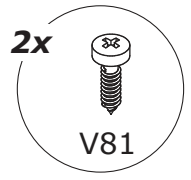
14



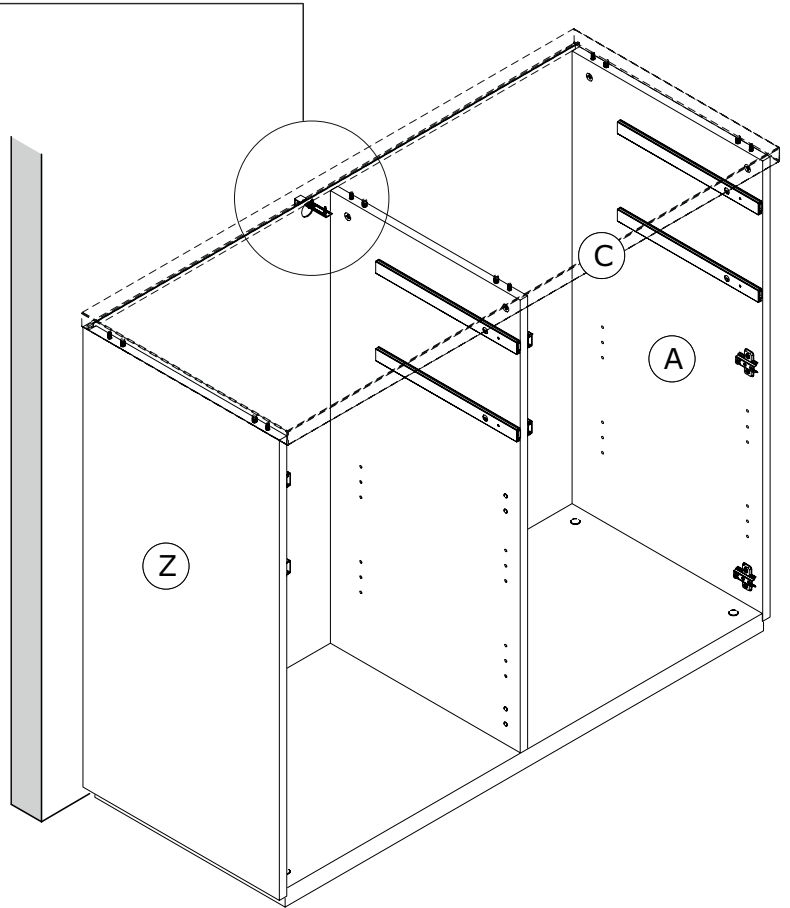
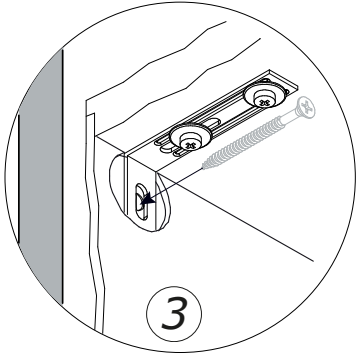
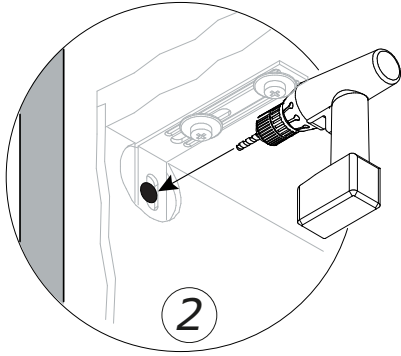
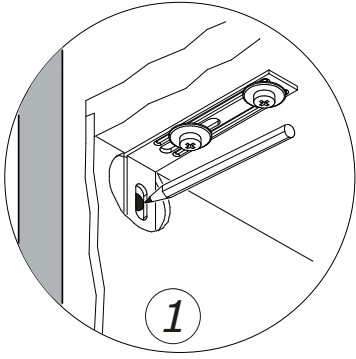
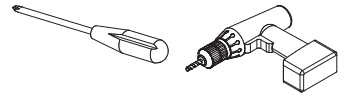
15



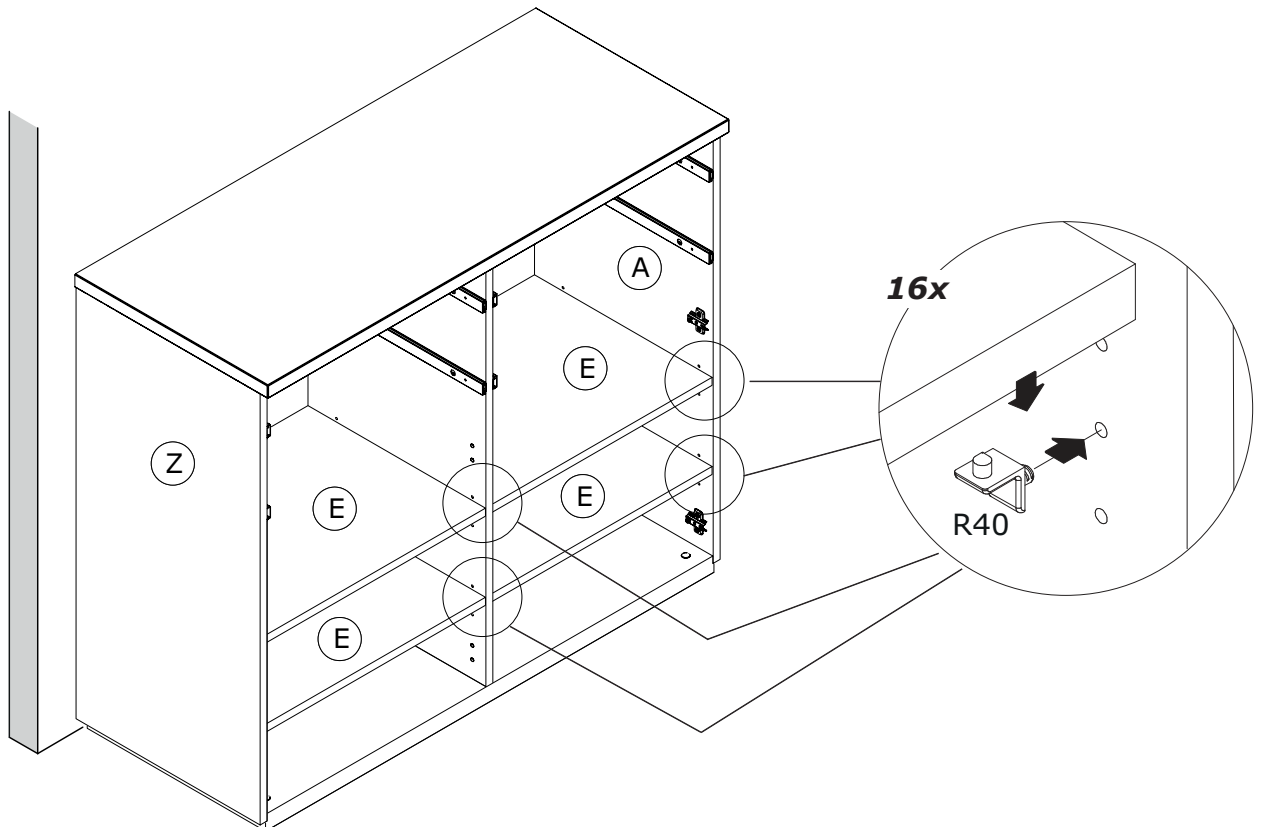
16

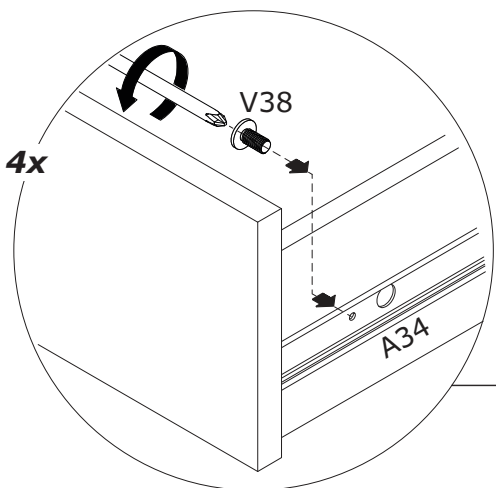
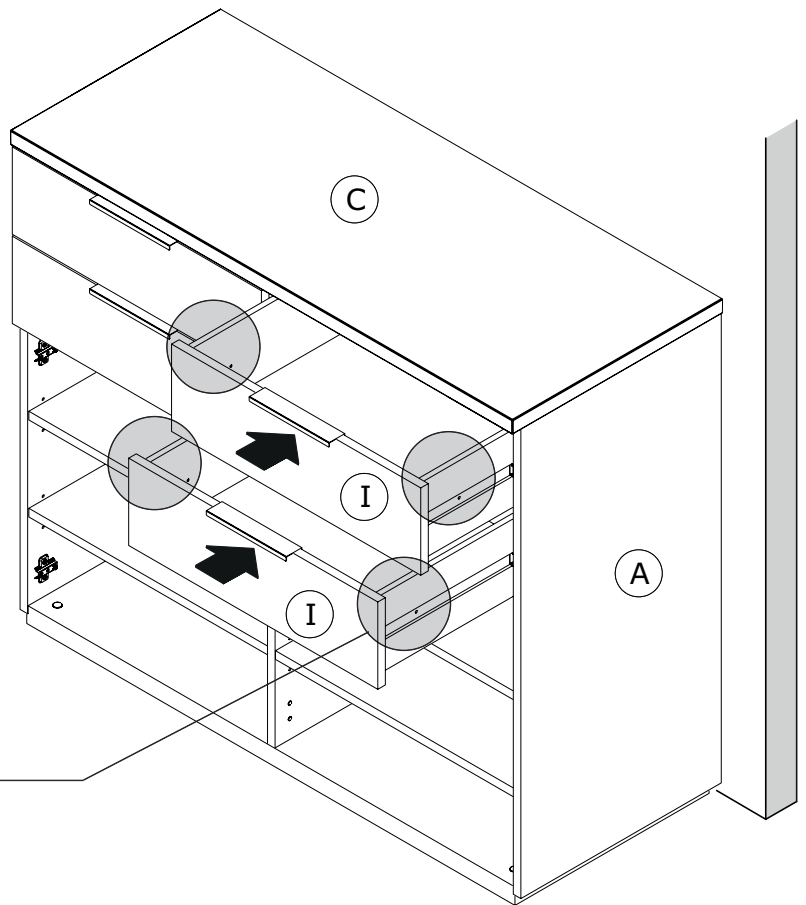
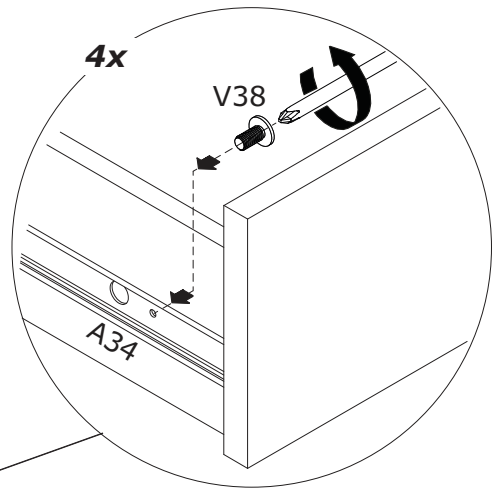
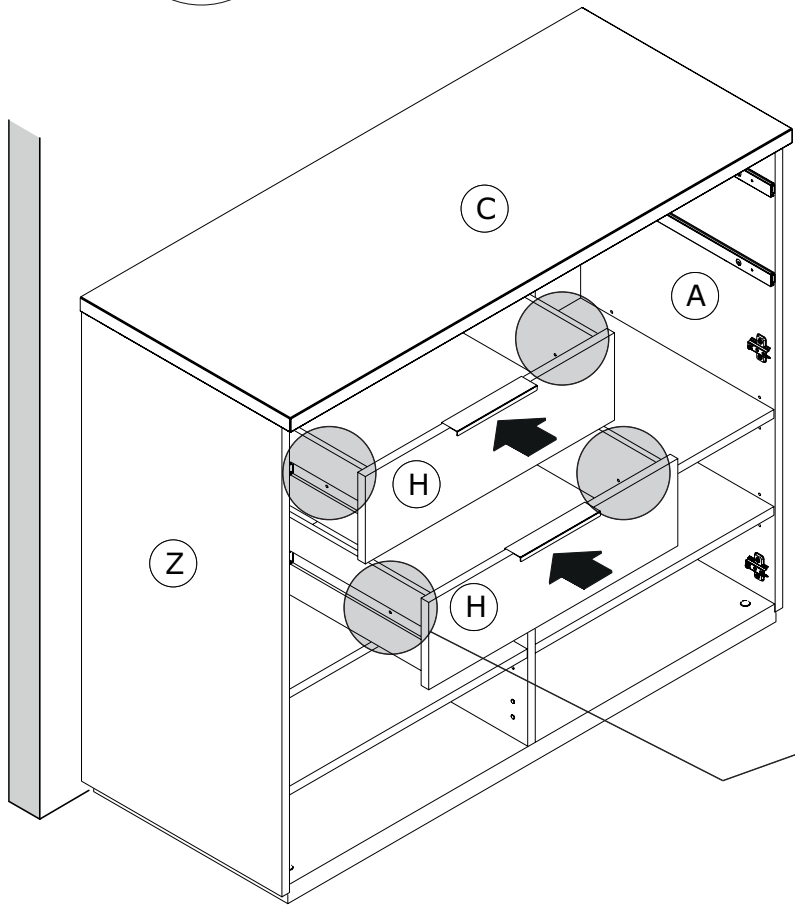
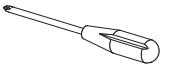


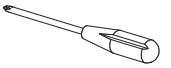
17



18



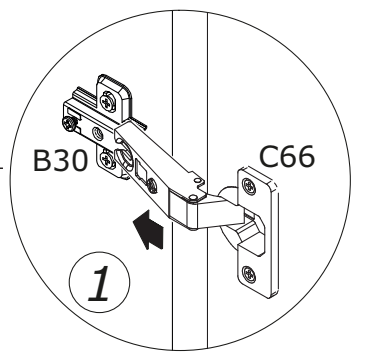
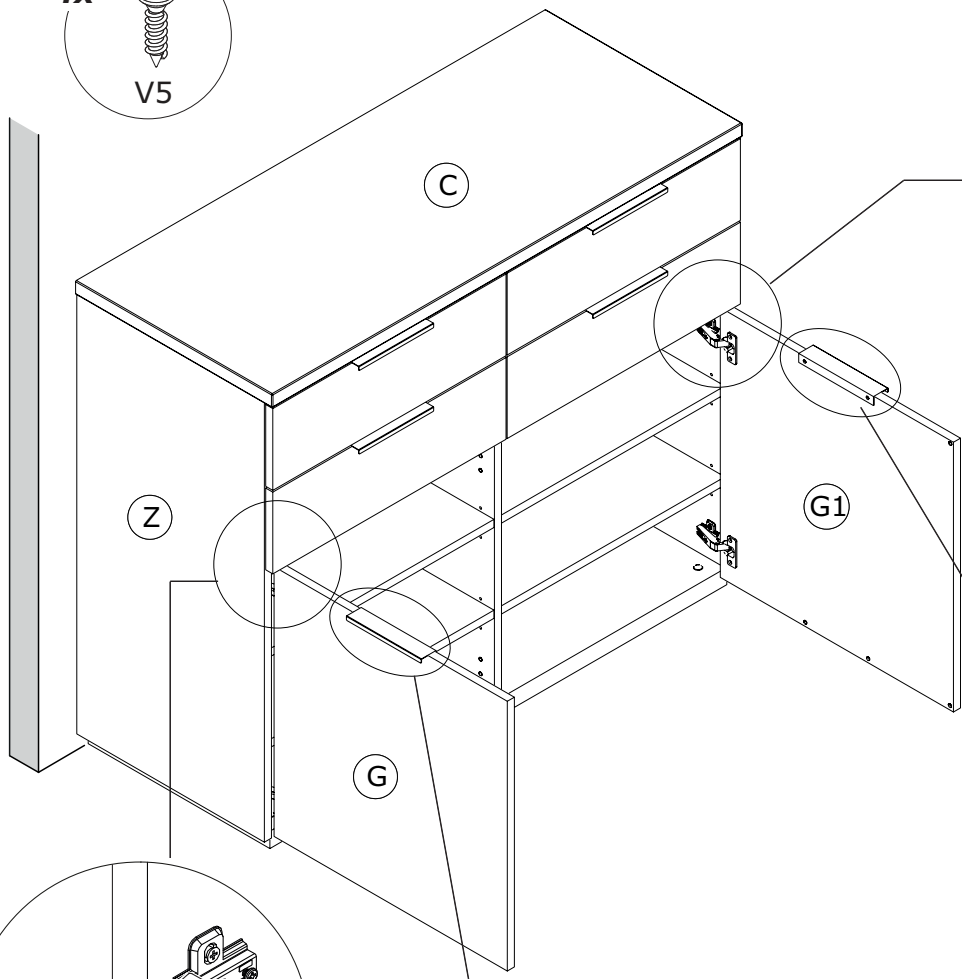




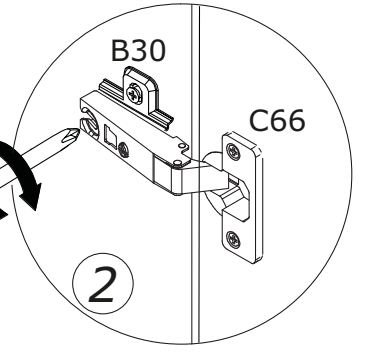
4x



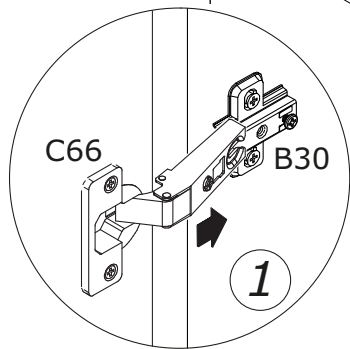
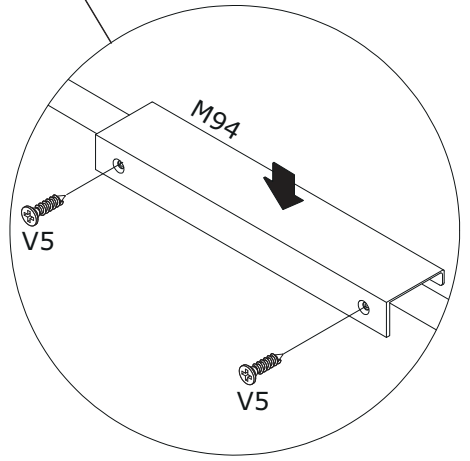
V5



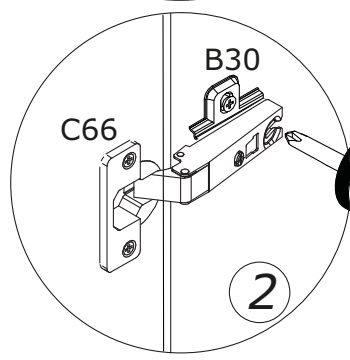
1



2



1



2

