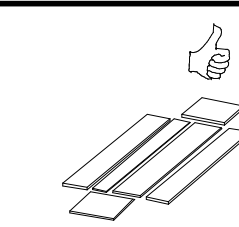
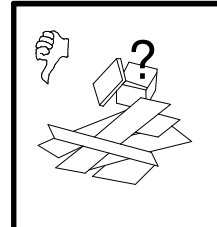
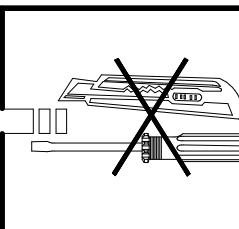
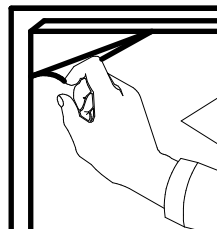
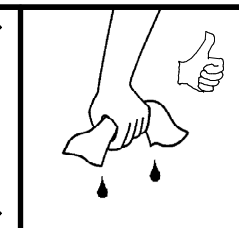
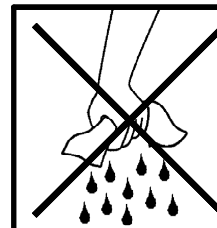
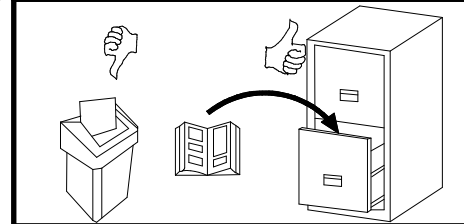
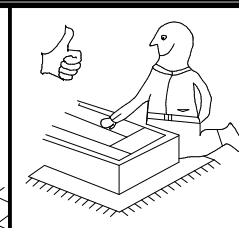
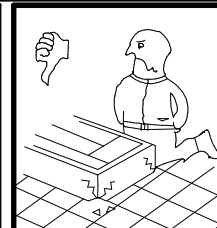
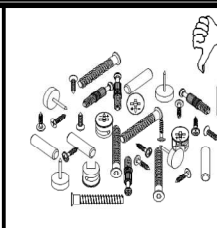
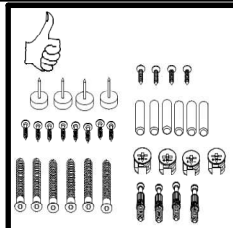
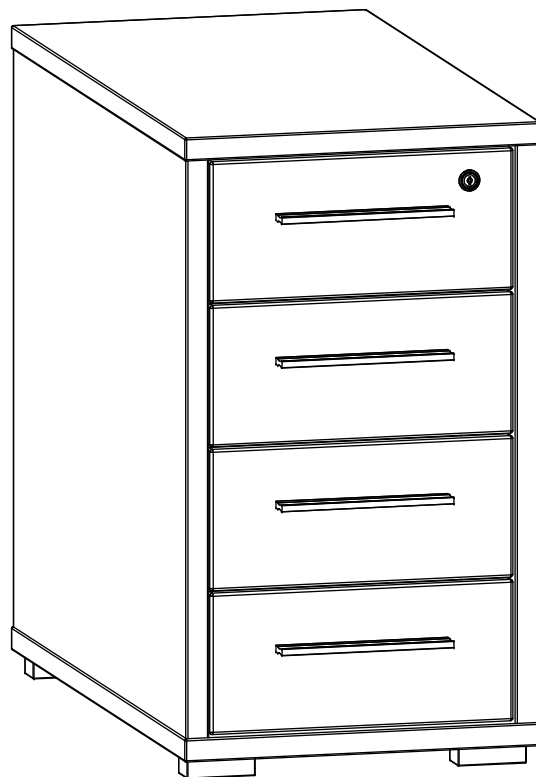
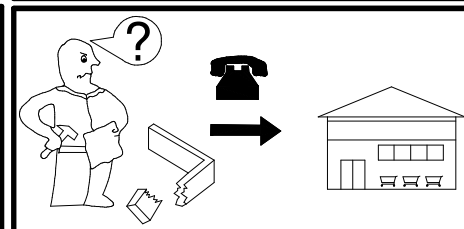
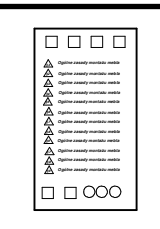
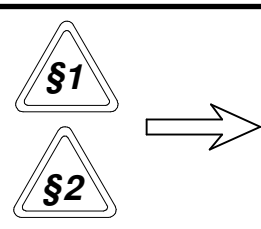
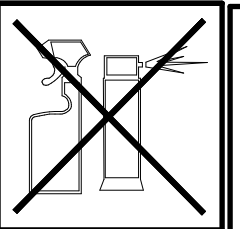
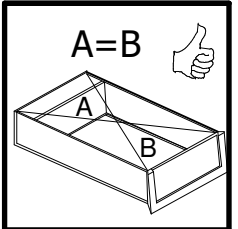
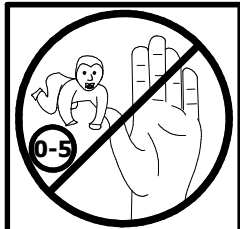
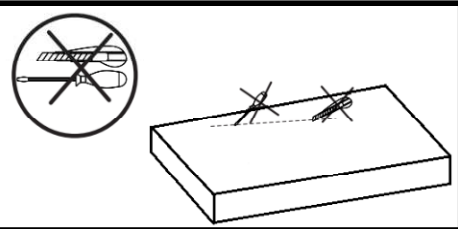
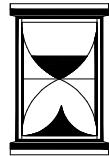
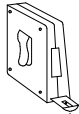
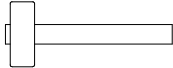
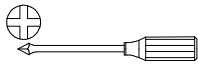
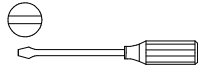
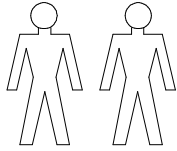


**A****S643-KTN4S****CONNECT**

**24270215/29**  
**24270215/30**



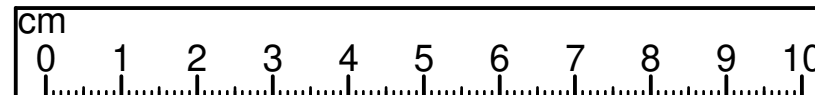


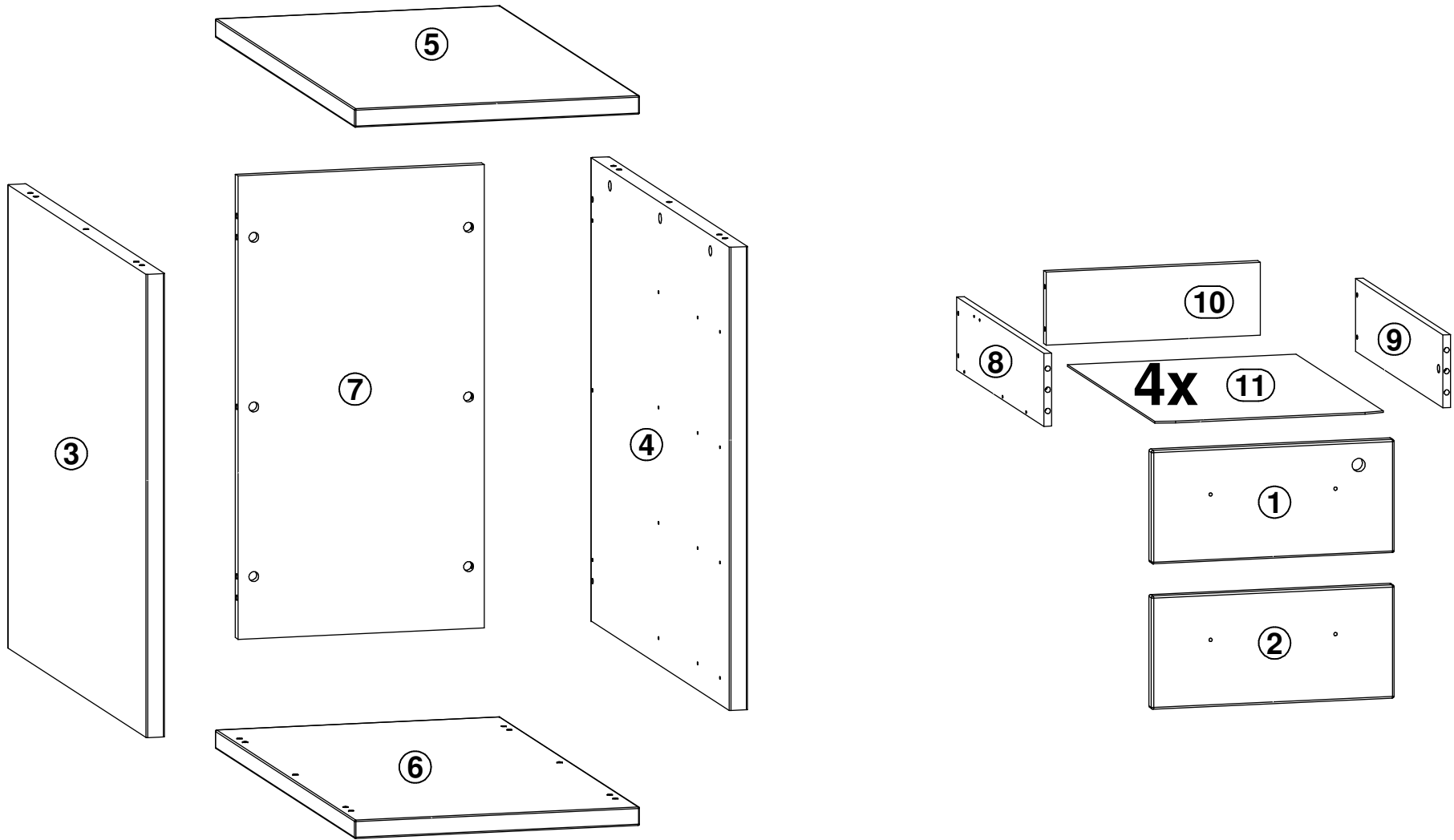
45 min

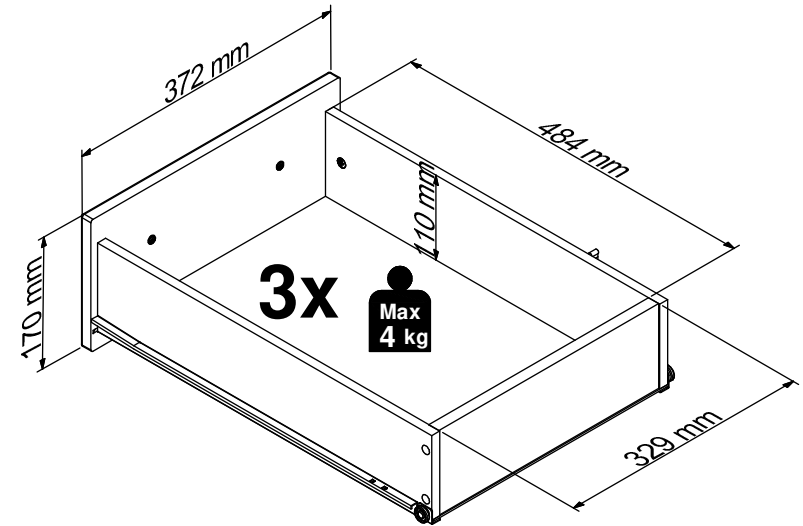
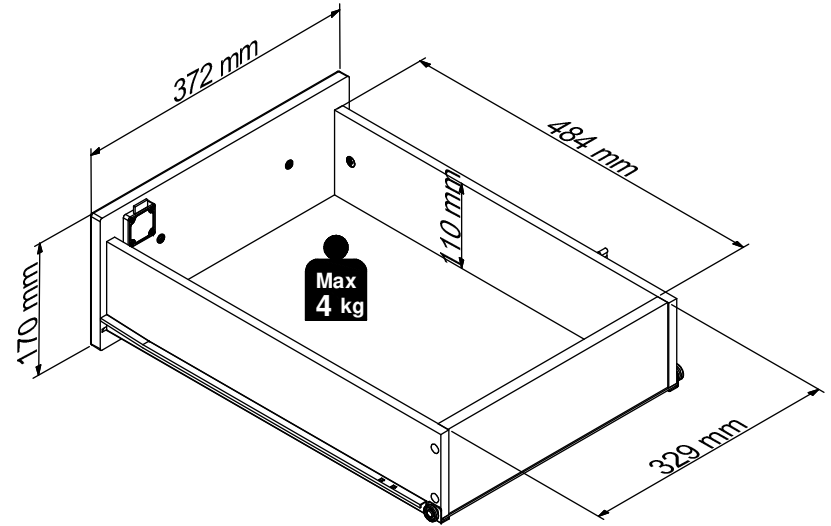
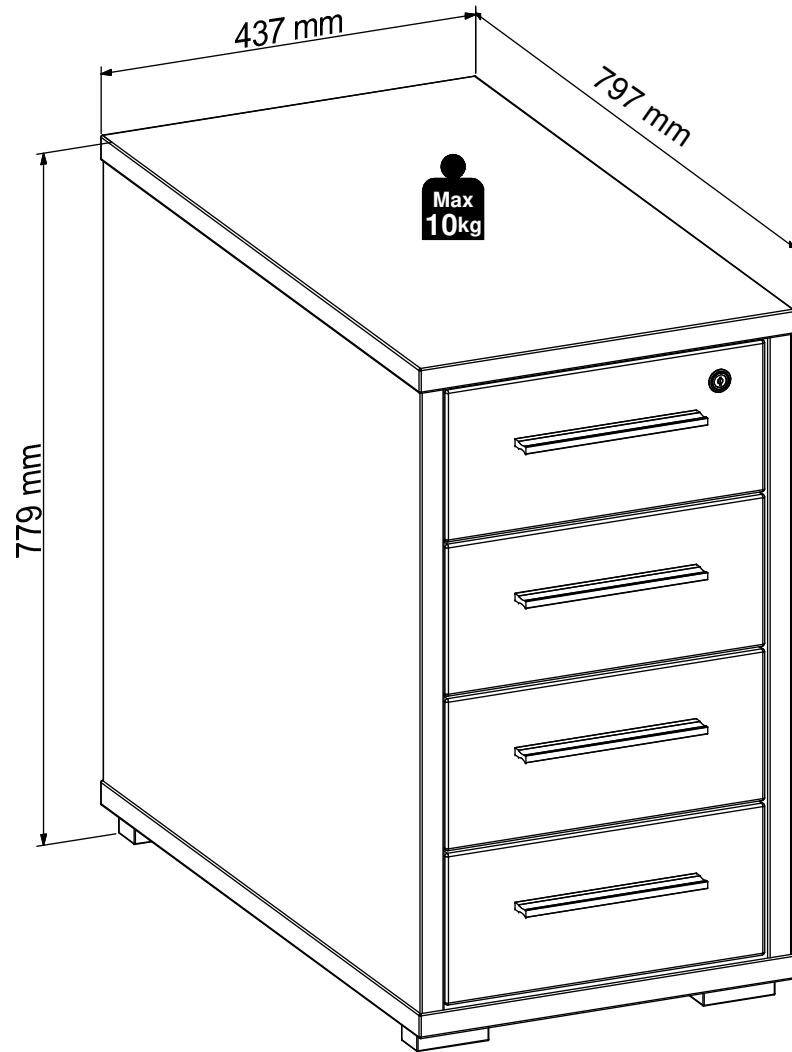


4x 192mm c606\3	24x Ø5x9 mm e19	6x Ø7x70 mm e27	24x Ø6x13 mm e3	28x Ø8x30 mm f1	16x Ø6,5x40 mm f25	8x M4x22 mm j30
4x 84x40/25 mm k77	8x Ø3,5x13 mm p1	4x Ø3x20 mm p14	8x Ø4x25 mm p36	12x Ø2,9x16 mm p55	8x Ø4x22 mm p56	2x Ø3x13 mm p148
12x Ø15x12 mm #16 r1	8x Ø12x10,5 mm #12 r15	20x 20/11 r42	2x Ø 20mm s68	4x w112\1	4x w112\2	4x 500 mm w26\CL
4x 500 mm w26\CR	4x 500 mm w26\DL	4x 500 mm w26\DR	1x 4 mm z1	1x z33		

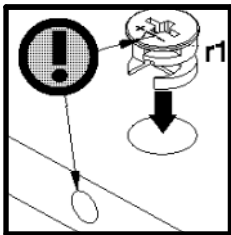
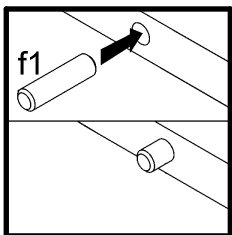
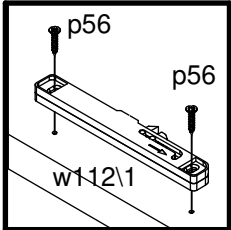
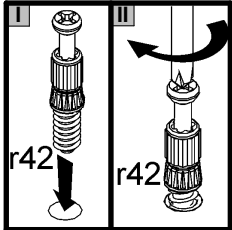
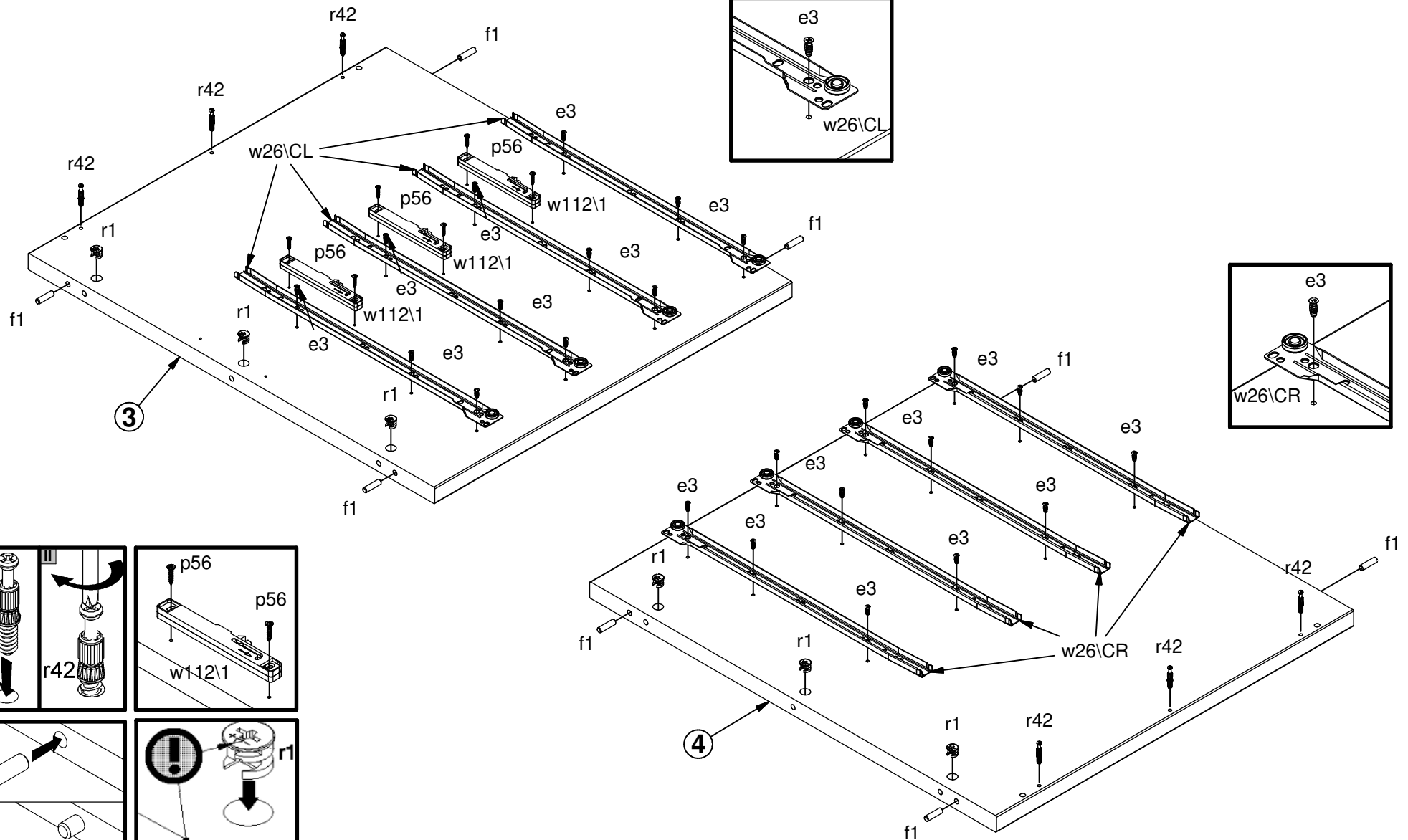
A	B1	B2	C1	C2	C3	D
1	S643-0010	-	373	171	16	1/2
2	S643-0011	-	373	171	16	1/2
3	S643-1012	-	699	796	28	1/2
4	S643-1013	-	699	796	28	1/2
5	S643-2012	-	438	800	28	2/2
6	S643-2013	-	438	800	28	2/2
7	S643-5003	-	699	378	16	1/2
8	S643-5005	-	500	110	12	2/2
9	S643-5006	-	500	110	12	2/2
10	STR-5053	-	329	110	15	2/2
11	WDF-9106	-	351	508	2,5	2/2

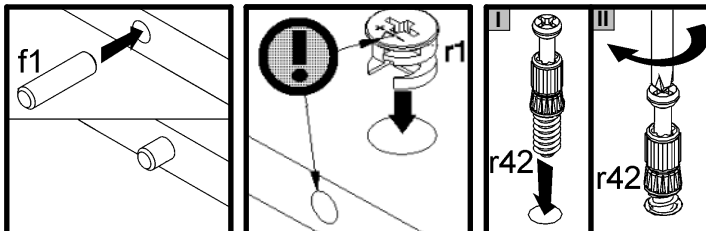
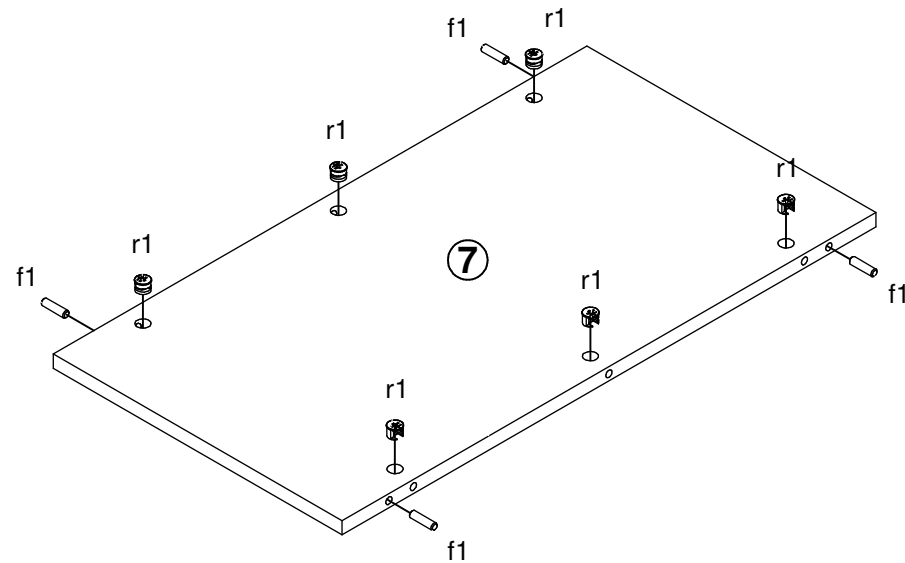
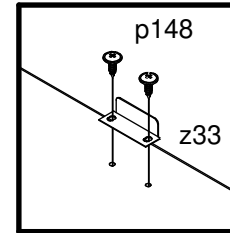
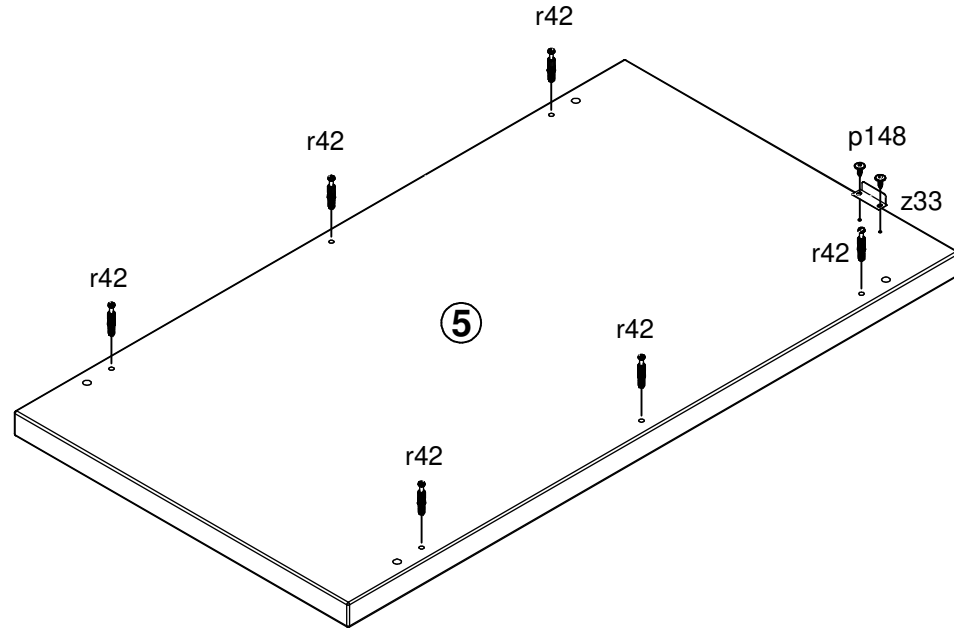
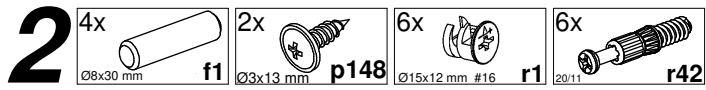




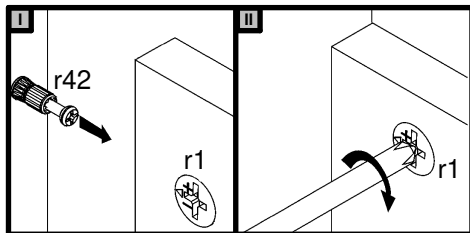
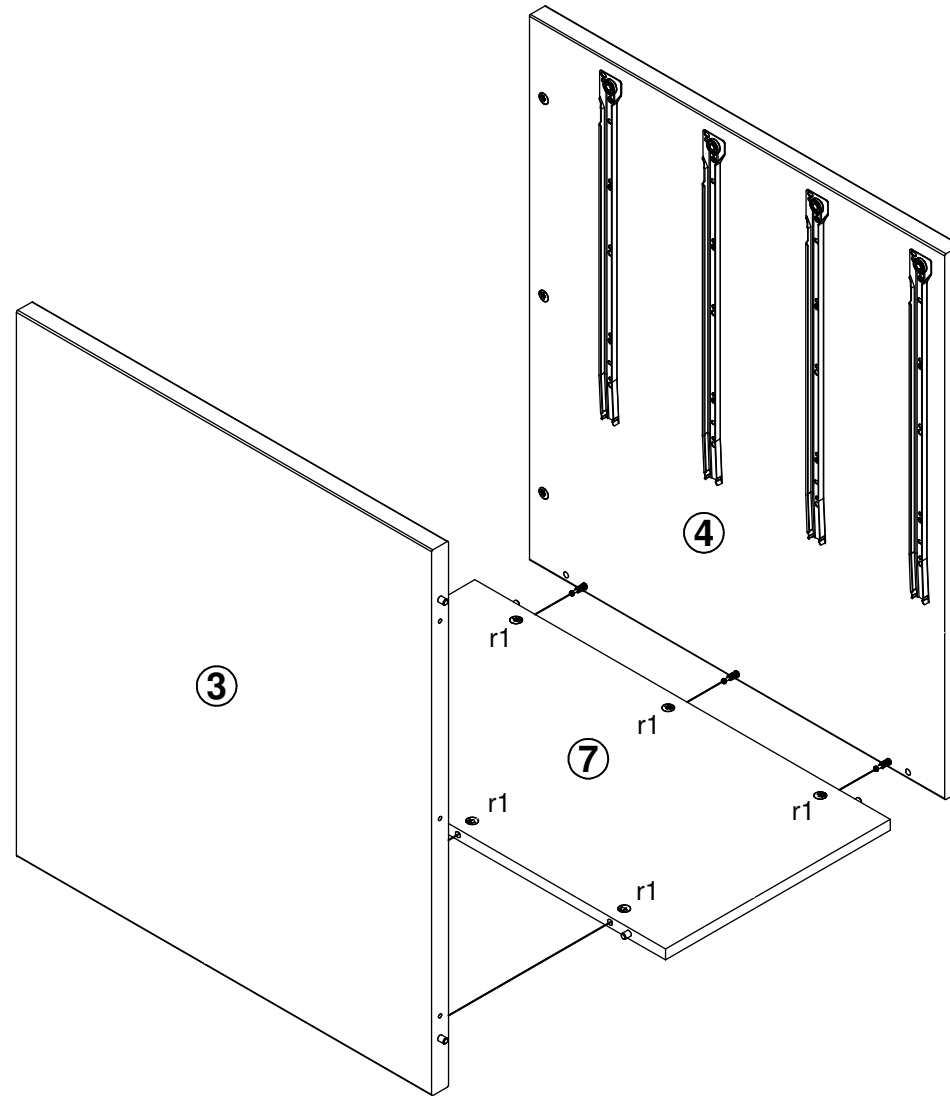


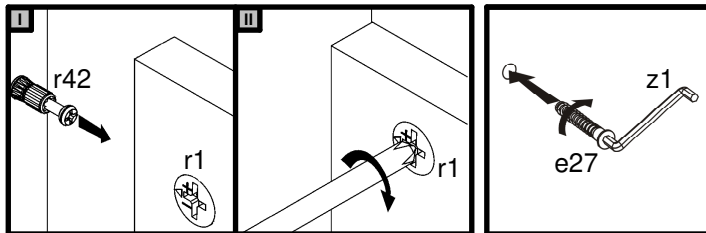
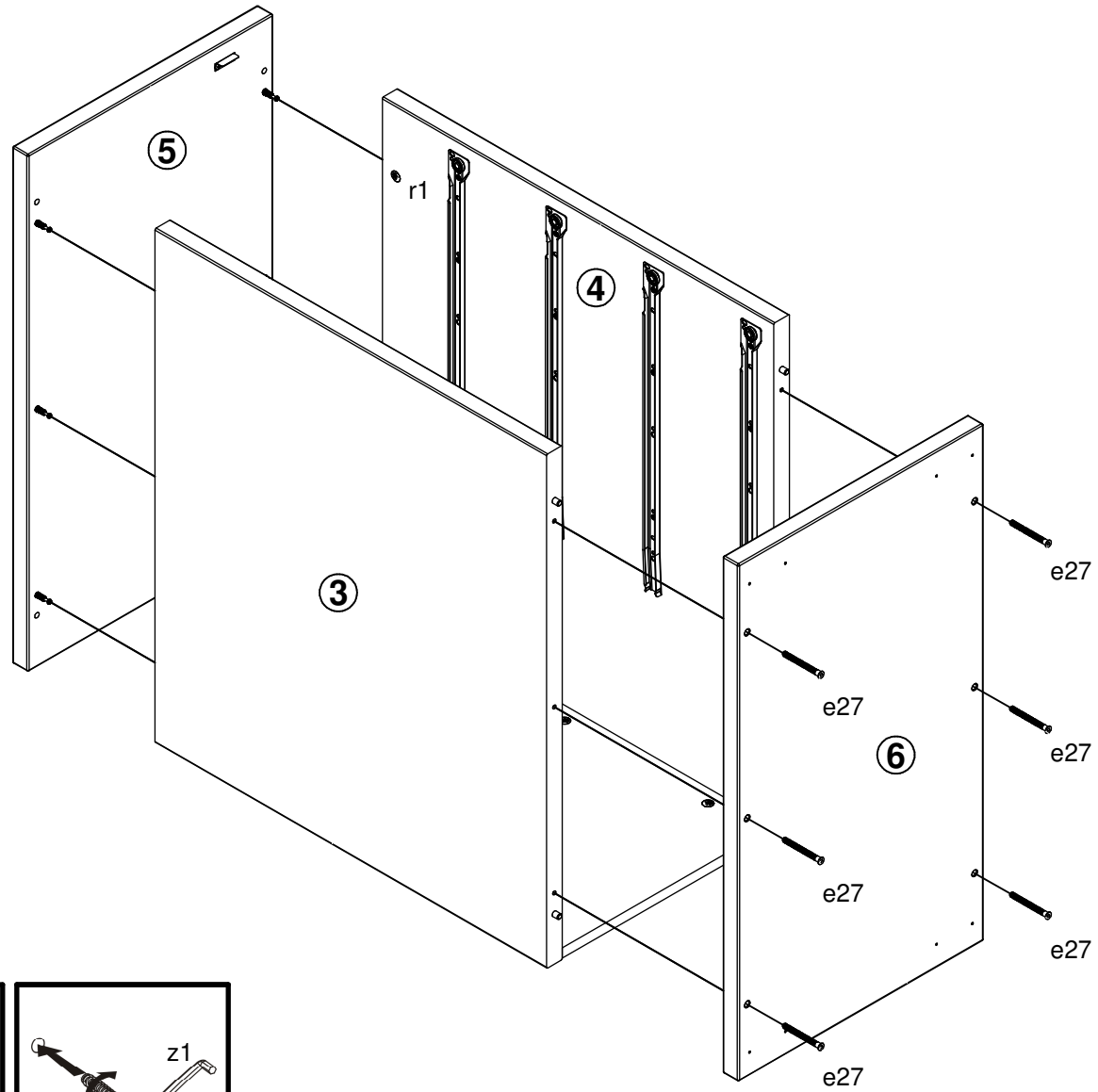
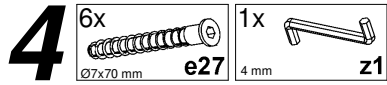
- 1 24x  $\varnothing 6 \times 13 \text{ mm}$  e3
- 8x  $\varnothing 8 \times 30 \text{ mm}$  f1
- 6x  $\varnothing 4 \times 22 \text{ mm}$  p56
- 6x  $\varnothing 15 \times 12 \text{ mm \#16}$  r1
- 6x  $\varnothing 20 \times 11$  r42
- 4x 500 mm w26\CL
- 4x 500 mm w26\CR
- 3x w112\1







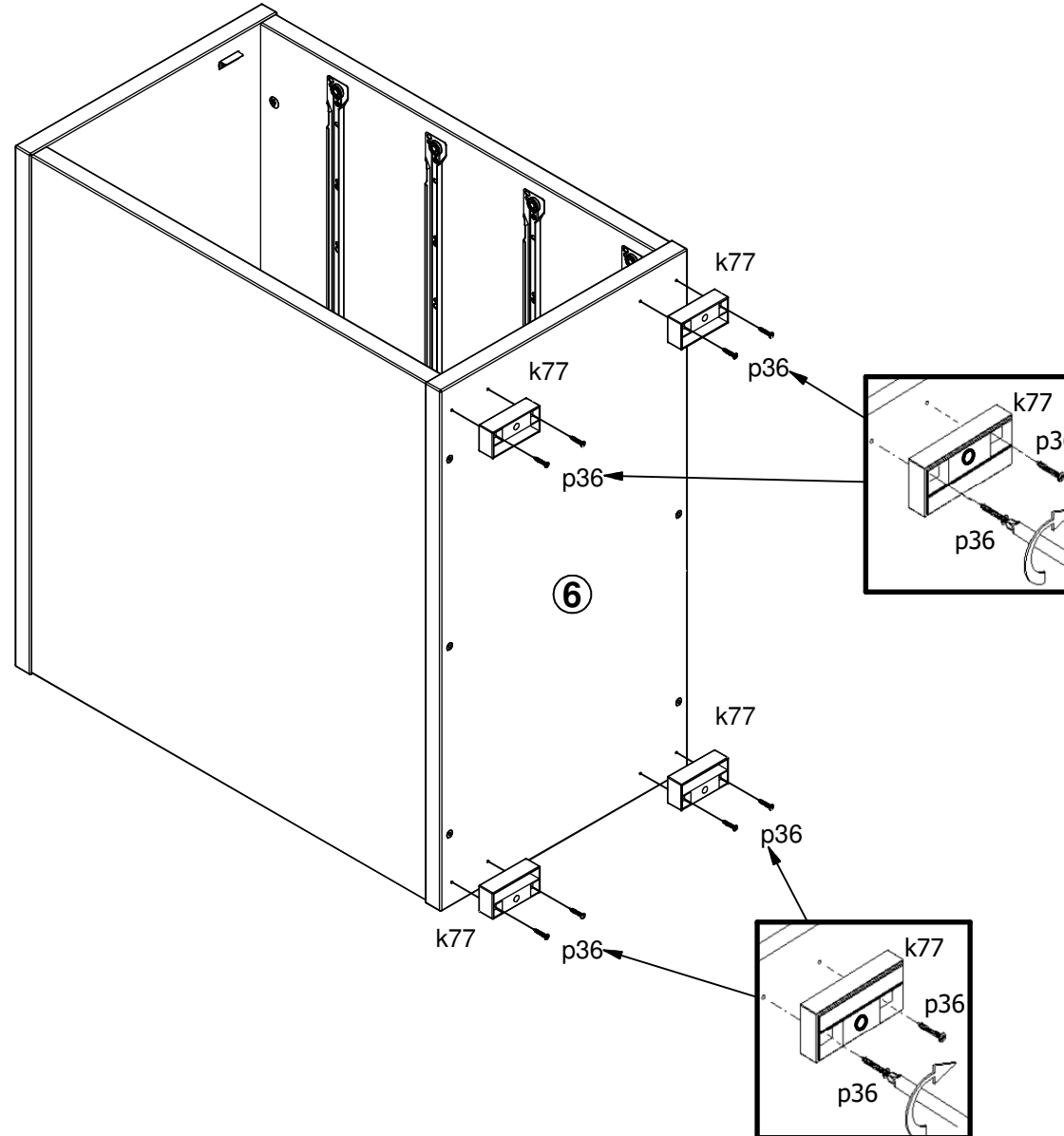
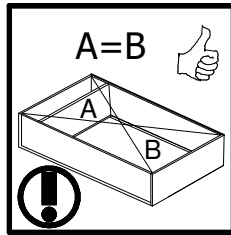
3

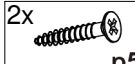




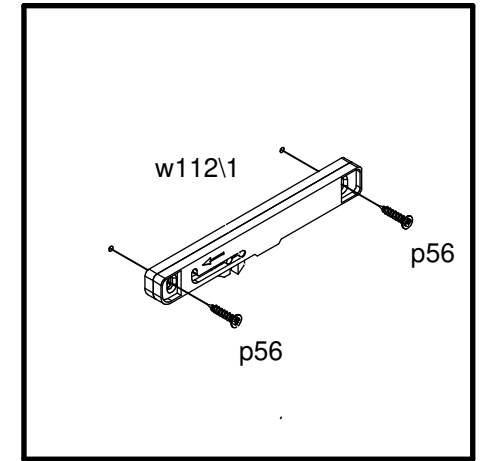
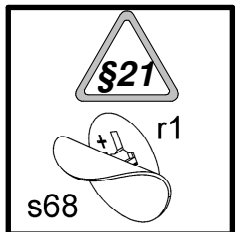
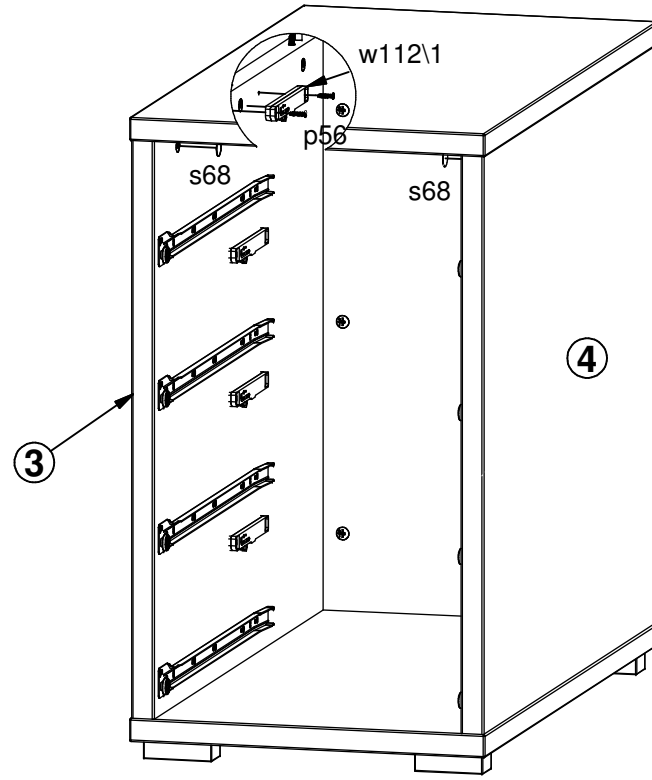


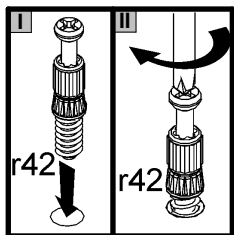
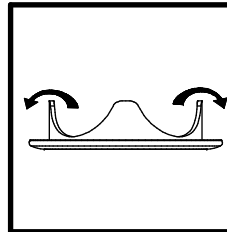
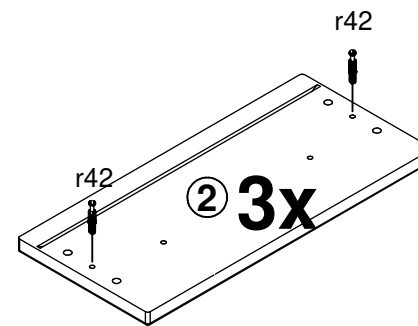
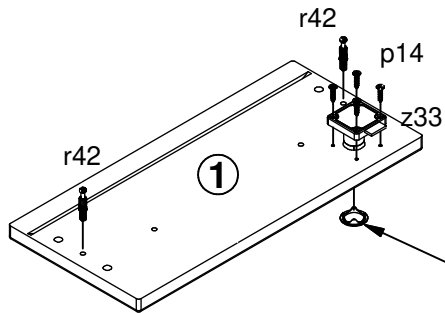
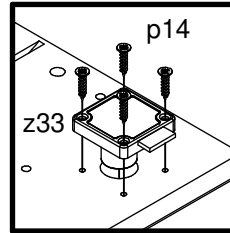
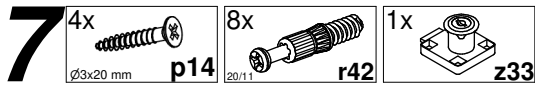


- 5 4x  84x40/25 mm k77
- 8x  Ø4x25 mm p36



- 6 2x  p56  
Ø4x22 mm
- 2x  s68  
Ø 20mm
- 1x  w112\1

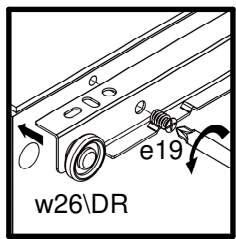
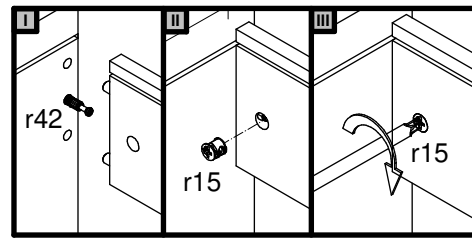
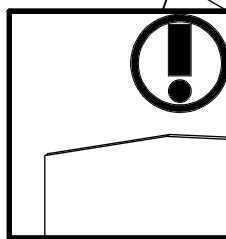
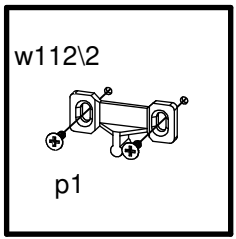
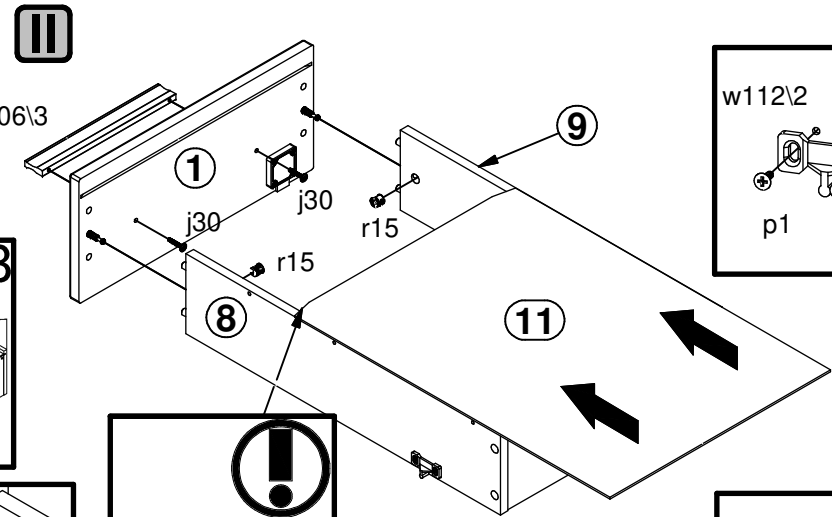
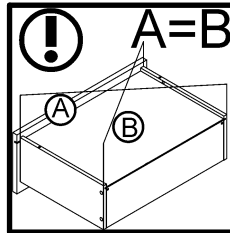
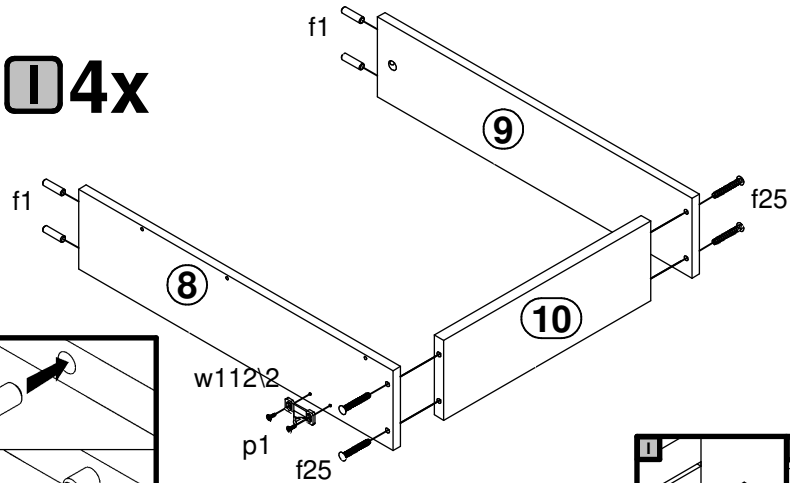




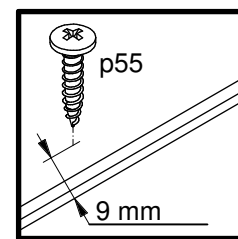
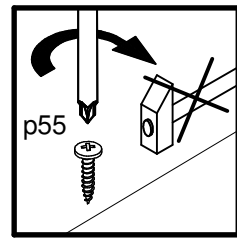
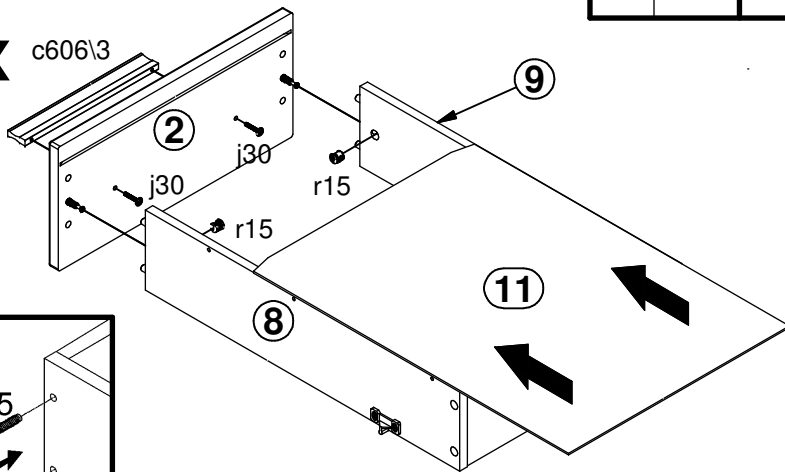
- 8 4x c606\3
- 24x e19
- 16x f1
- 16x f25
- 8x j30
- 8x p1
- 12x p55
- 8x r15
- 4x w112\2
- 4x w26\DL 500 mm
- 4x w26\DR 500 mm



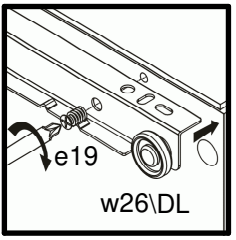
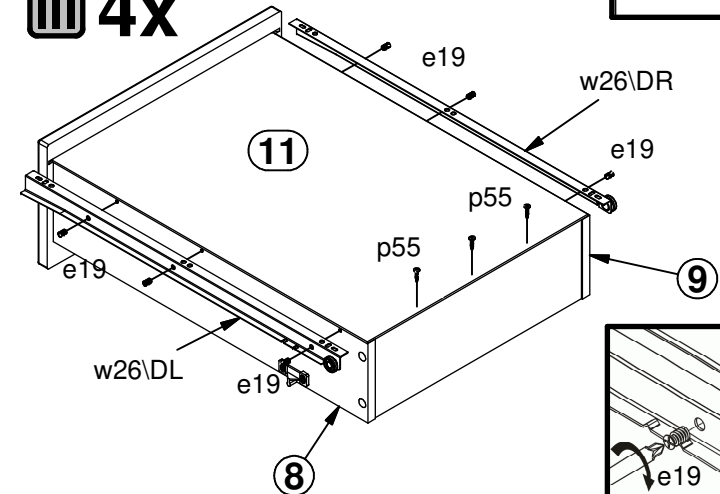
**I 4x**



**II 3x**



**III 4x**



# 9

