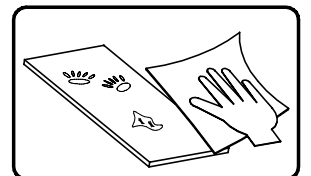
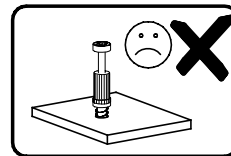
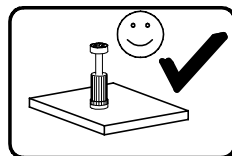
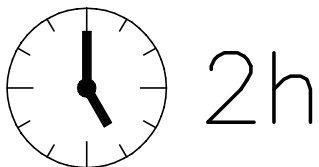
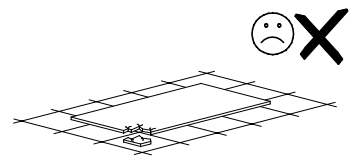
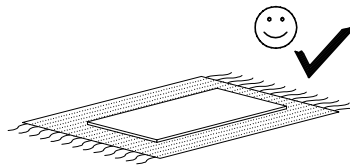
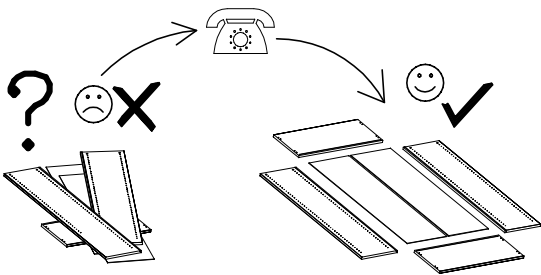
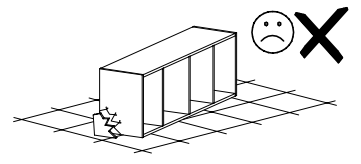
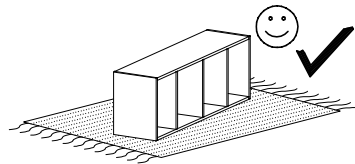
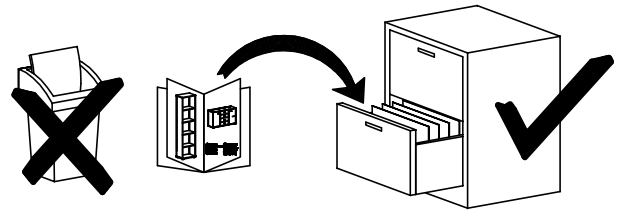
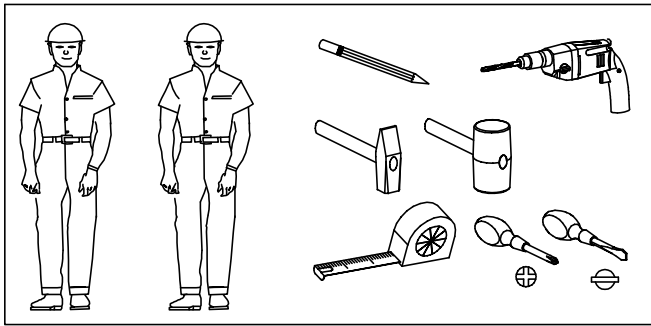
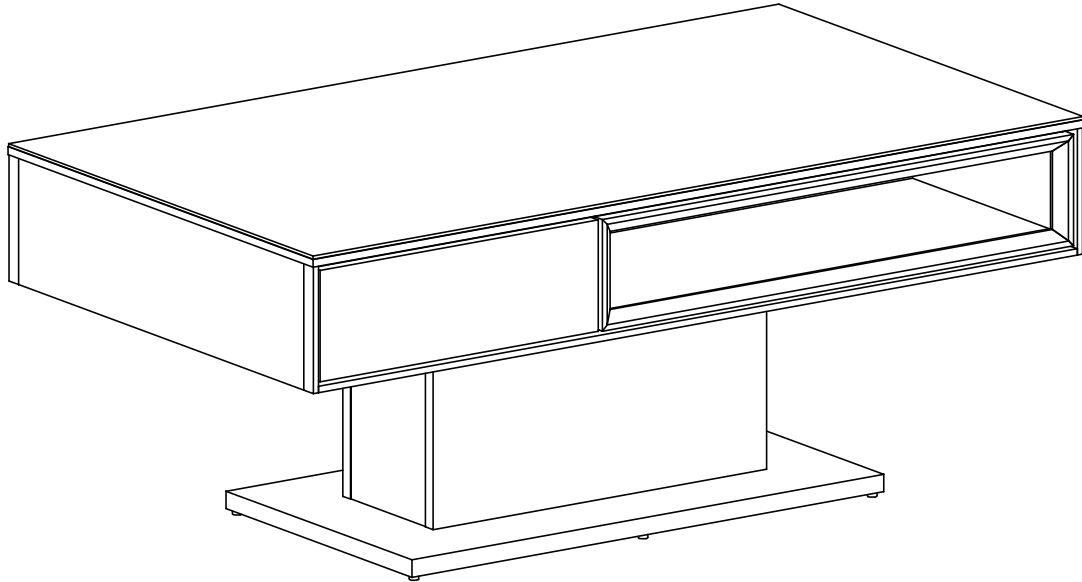
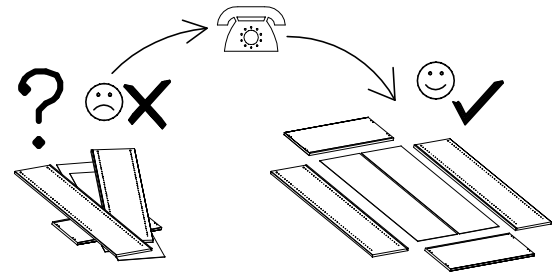
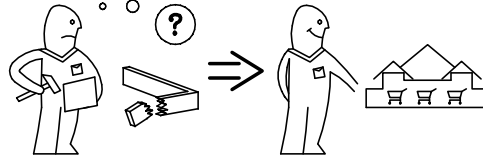
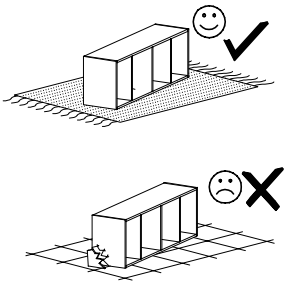


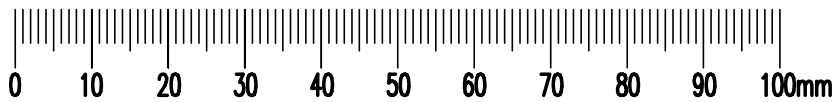
SENSAI



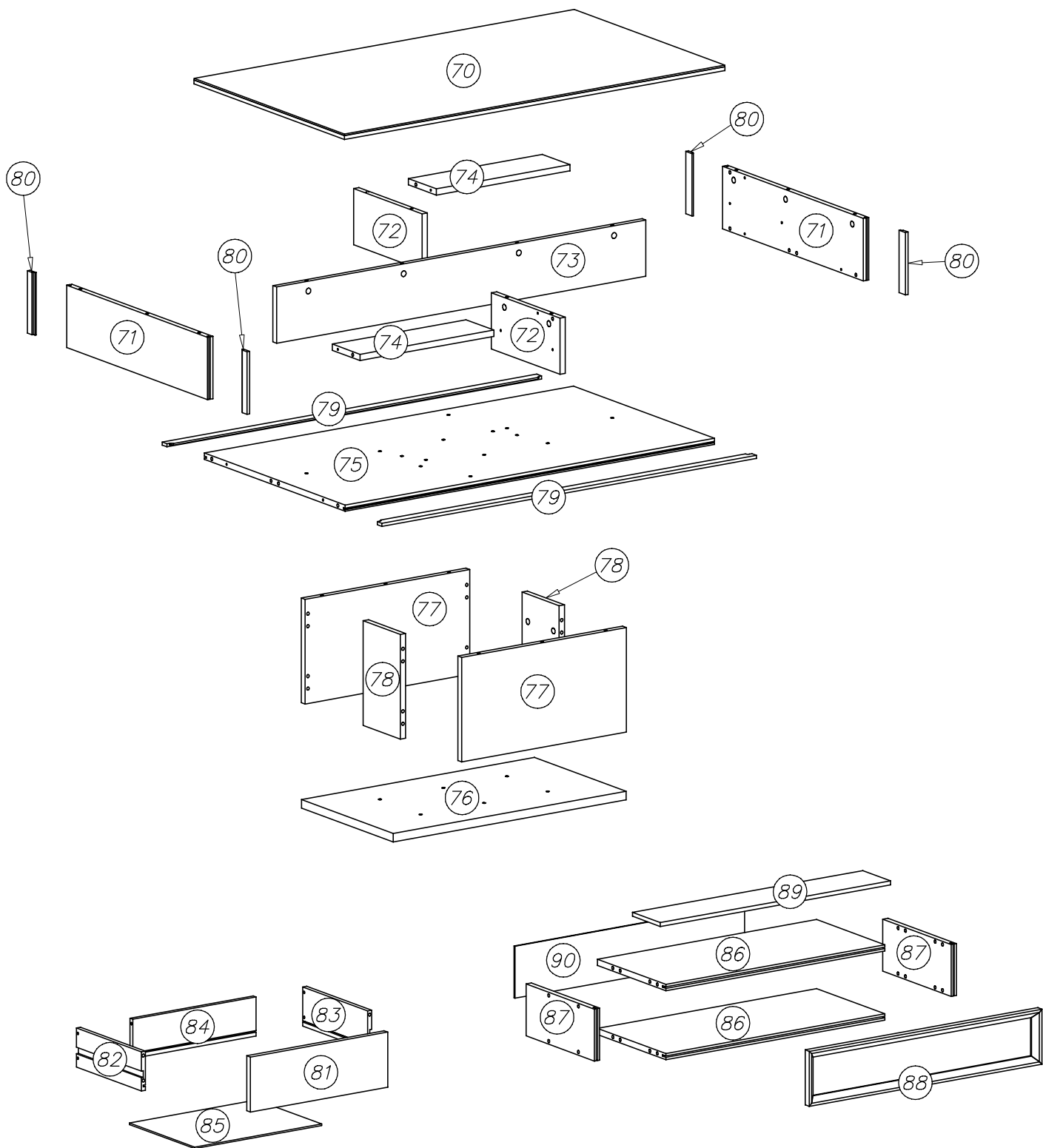
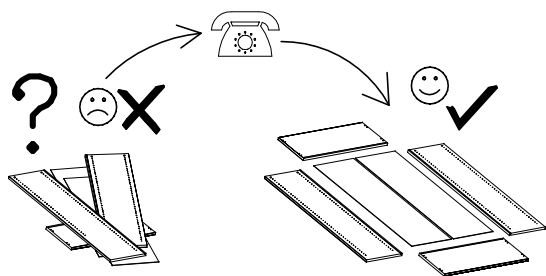
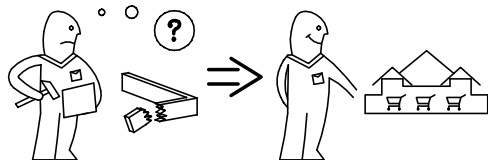
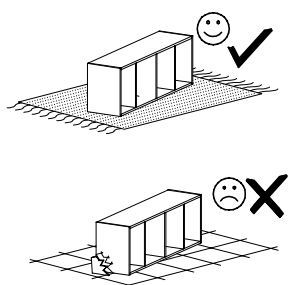


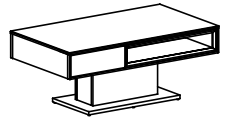
nr	L[mm]	B[mm]	T[mm]	Menge	Colli
70	1150	650	14	1	1/2
71	608	160	16	2	2/2
72	144	296	16	2	2/2
73	1116	144	16	1	1/2
74	408	126	16	2	2/2
75	1116	608	16	1	1/2
76	704	396	22	1	2/2
77	498	268	16	2	1/2
78	160	268	16	2	1/2
79	1132	27	8	2	1/2

nr	L[mm]	B[mm]	T[mm]	Menge	Colli
80	160	27	8	4	2/2
81	415	141	16	2	1/2
82	280	100	12	2	2/2
83	280	100	12	2	2/2
84	372	100	12	2	2/2
85	385	301	3	2	2/2
86	659	278	16	4	2/2
87	133	278	16	4	2/2
88	699	141	18	2	2/2
89	691	80	10	2	2/2
90	688	130	3	2	2/2

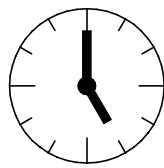
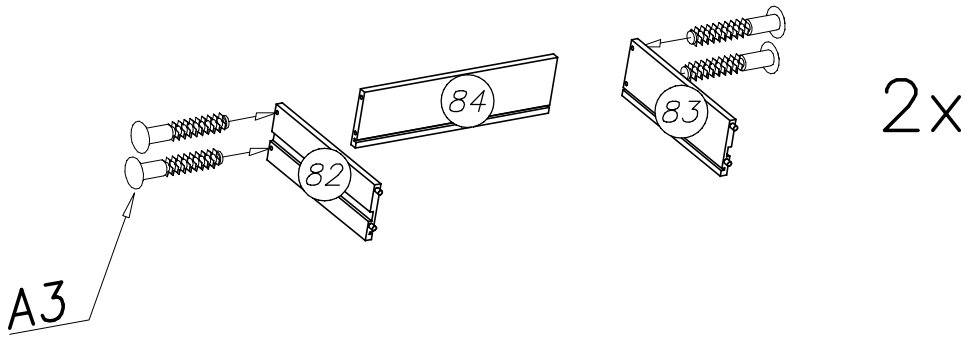


H3 280mm x...(4)		W2 x...(1)		L9 x...(2)		G25 4x28 x...(4)			
K1 ø15x12 x...(30)		N1 M4x9 x...(4)		G46 6x8 x...(8)		Z2 55x20x4 x...(20)		G21 3x16 x...(36)	
K15 x...(30)		B1 ø8x35 x...(28)		A3 ø6x42 x...(8)		W3 x...(4)		W1 GLUE, LEIM, LEPIDLO, LIM x...(6)	
						P4 x...(16)			

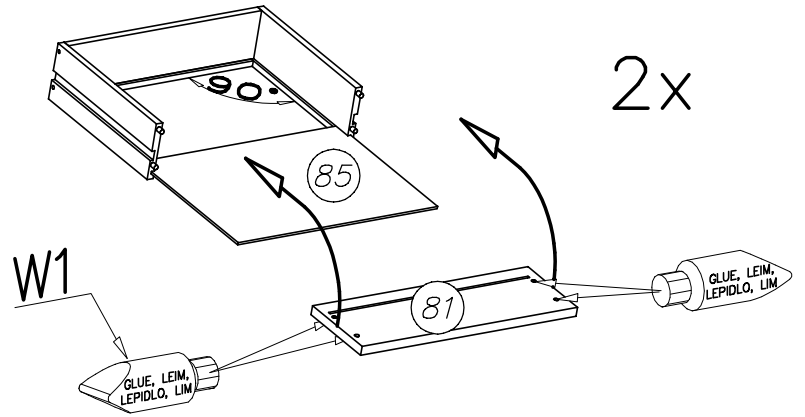




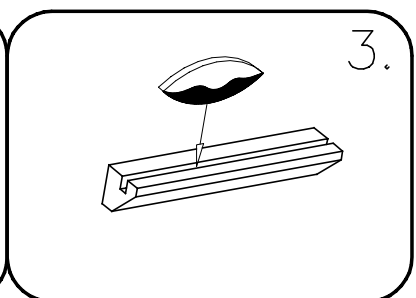
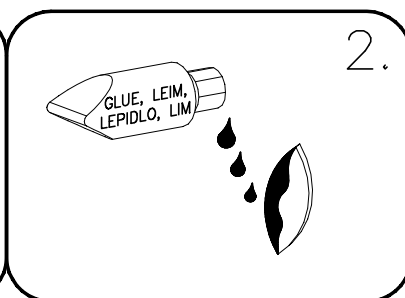
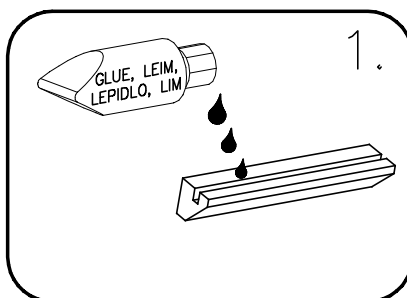
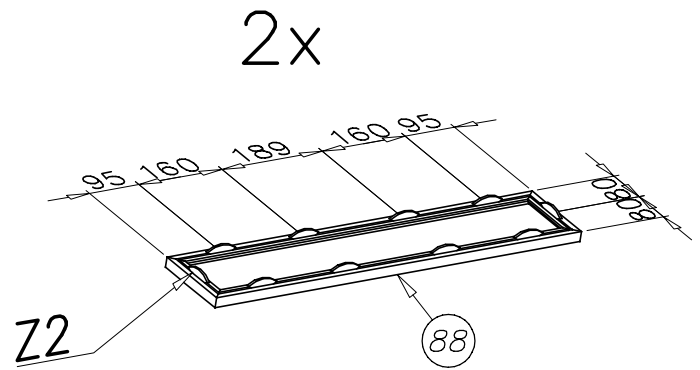
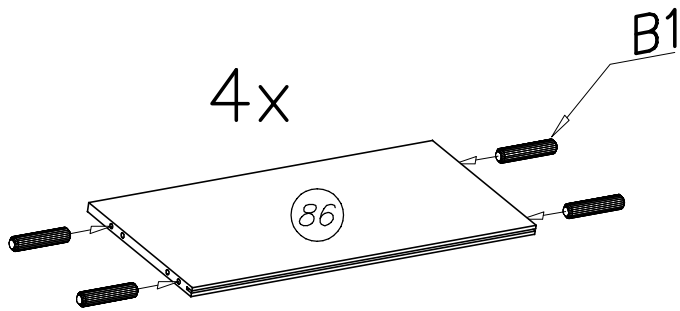
I

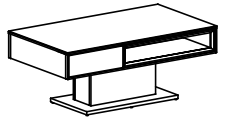


0,5h

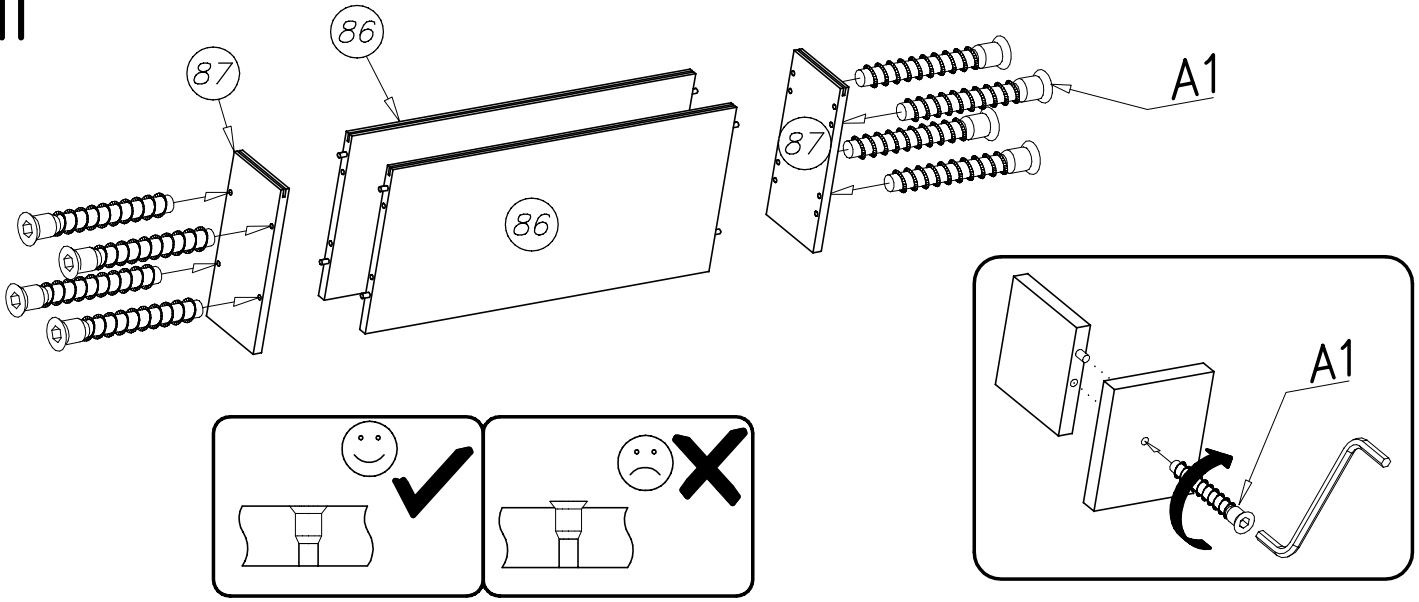


II

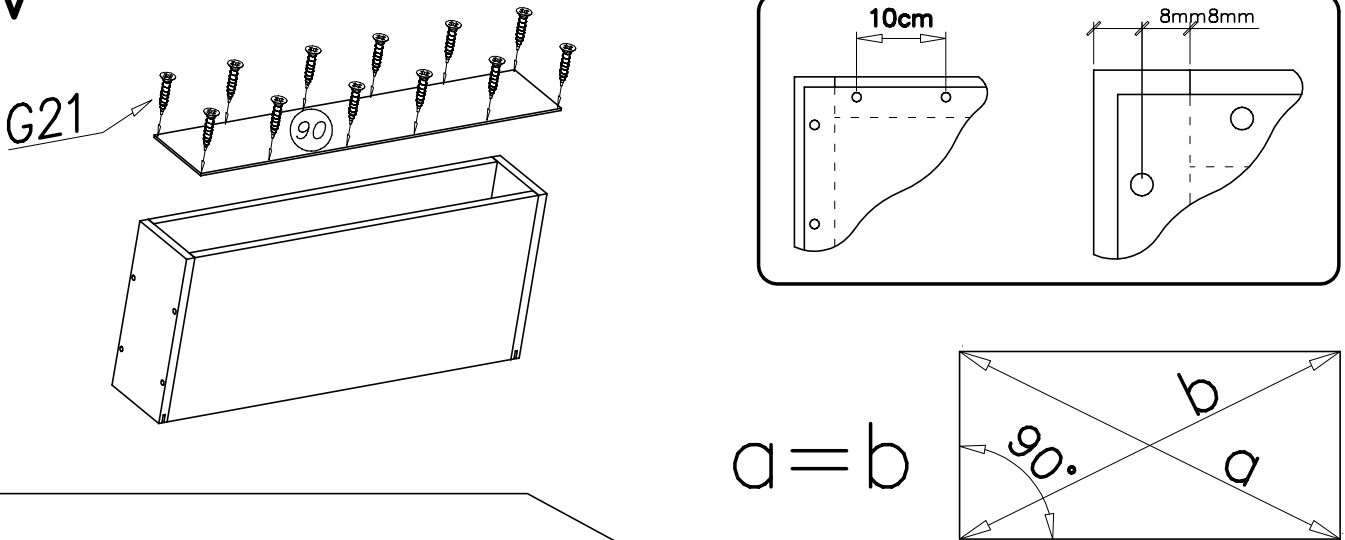




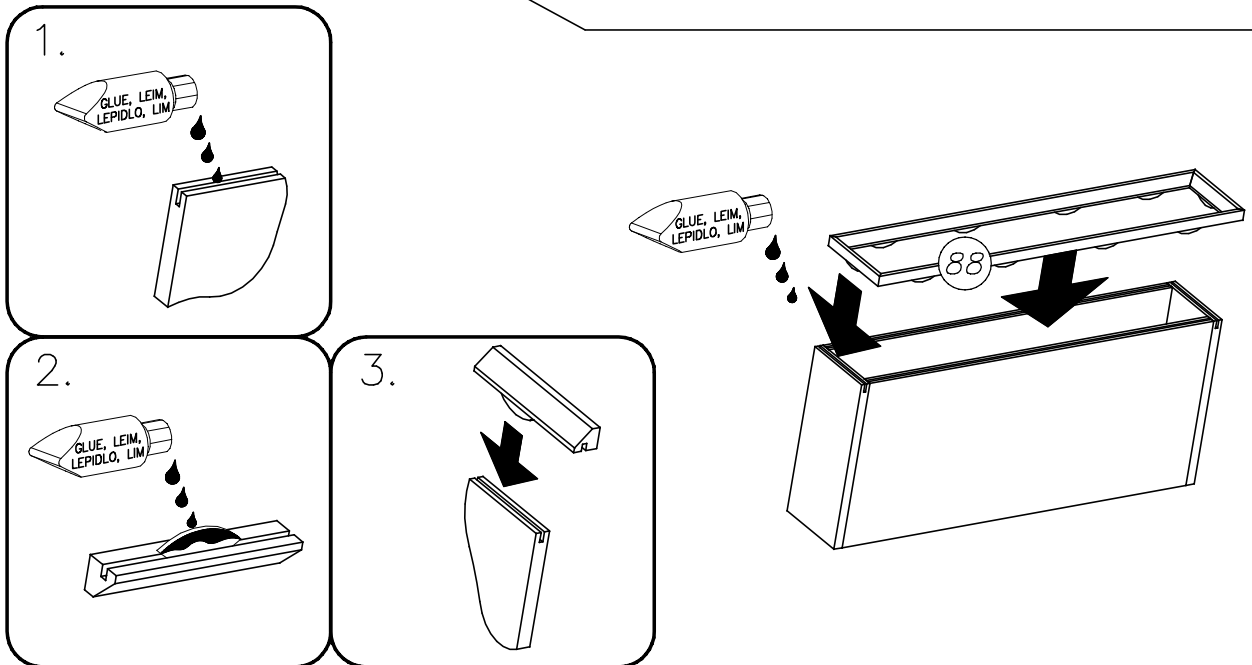
III

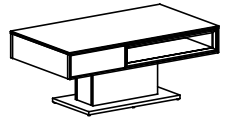


IV

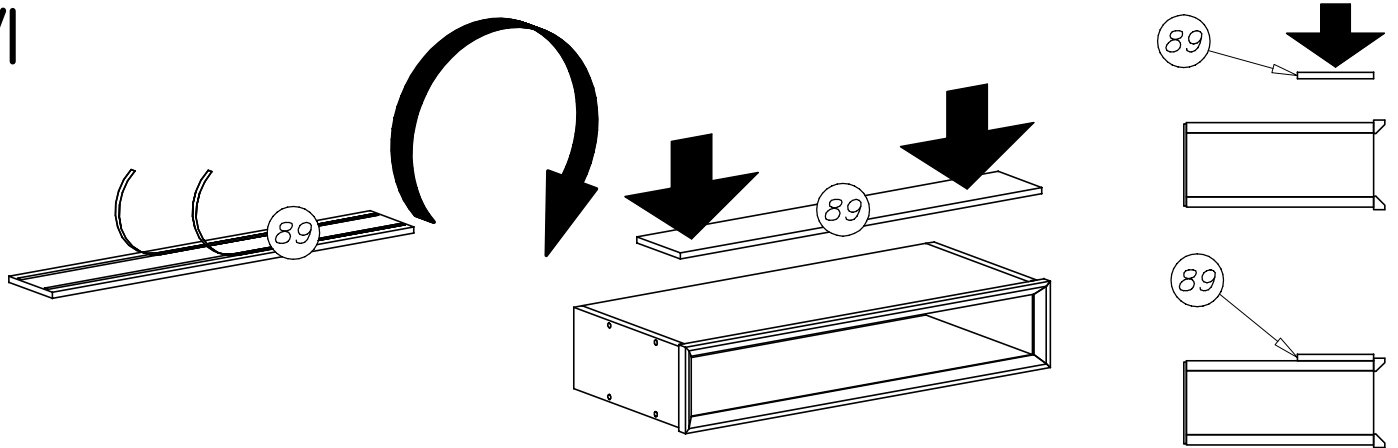


V

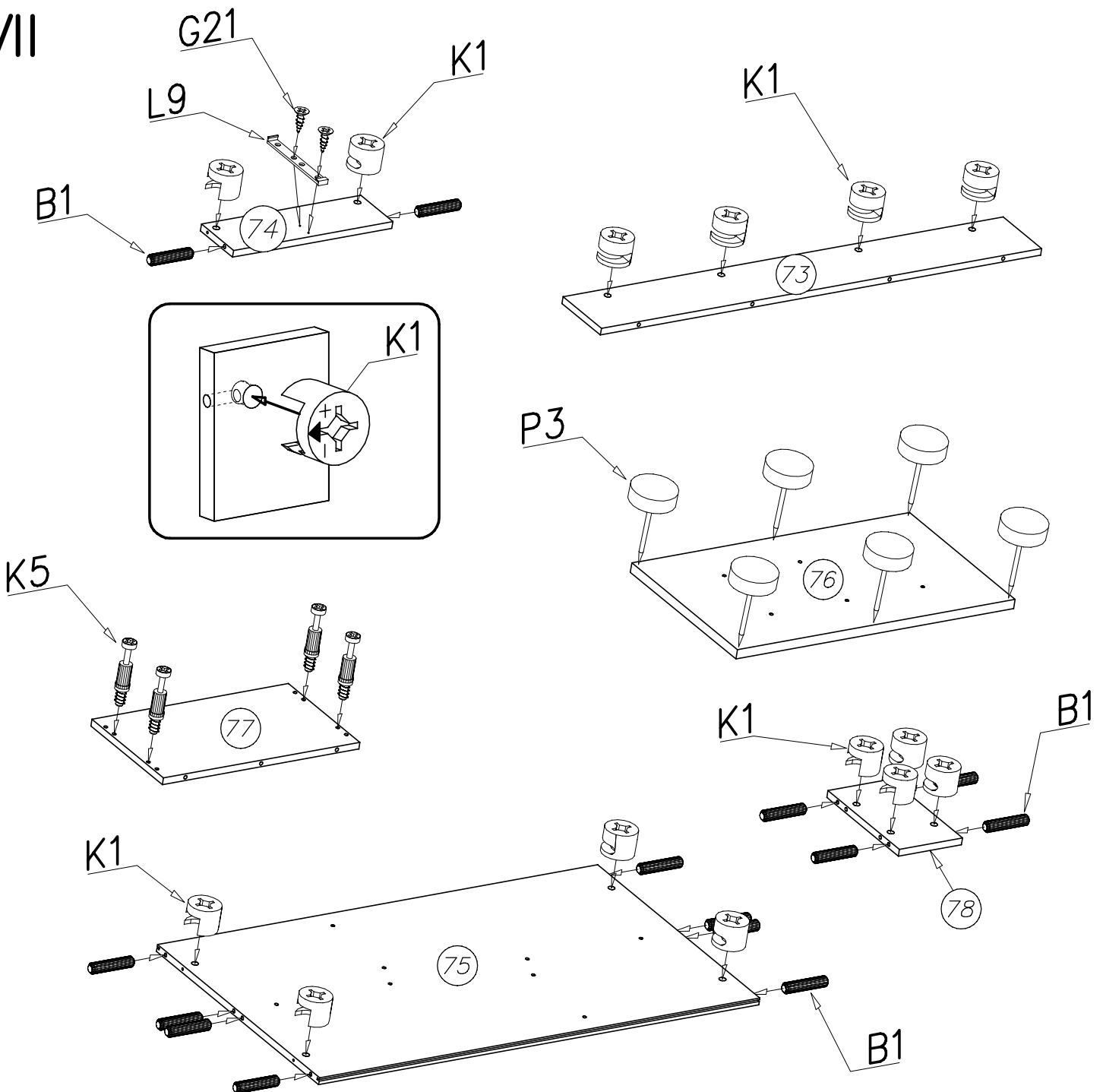


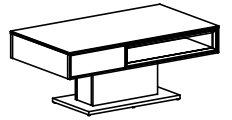


VI

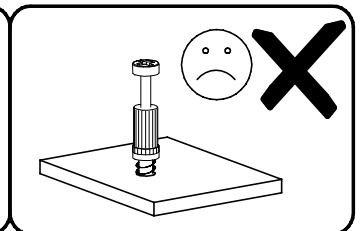
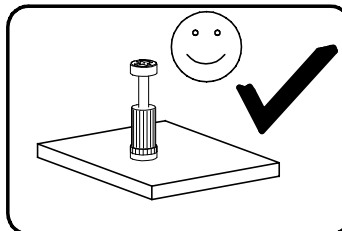
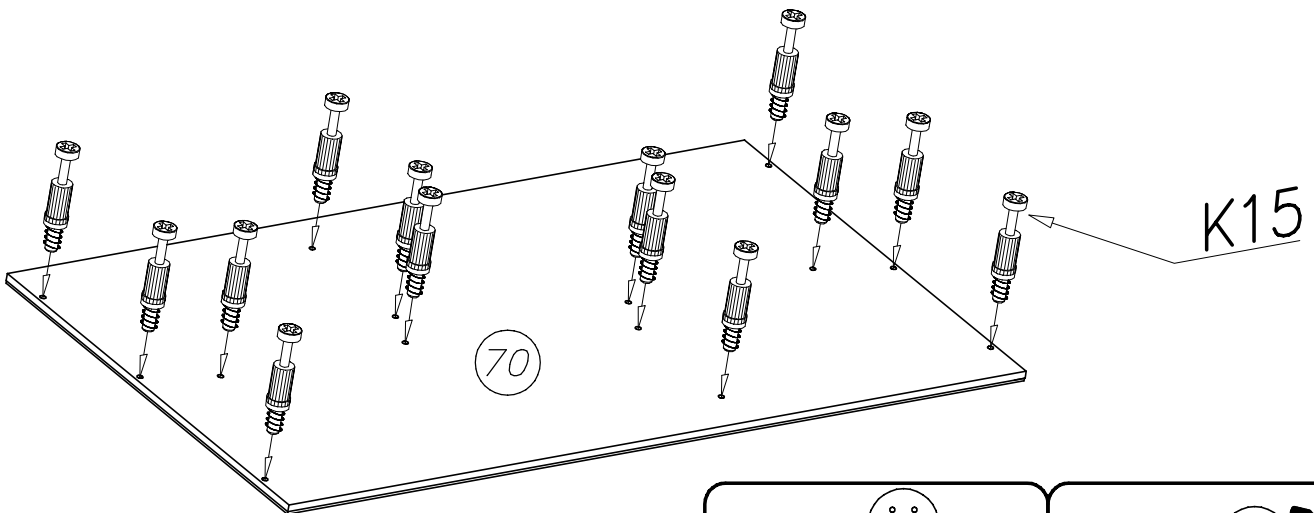
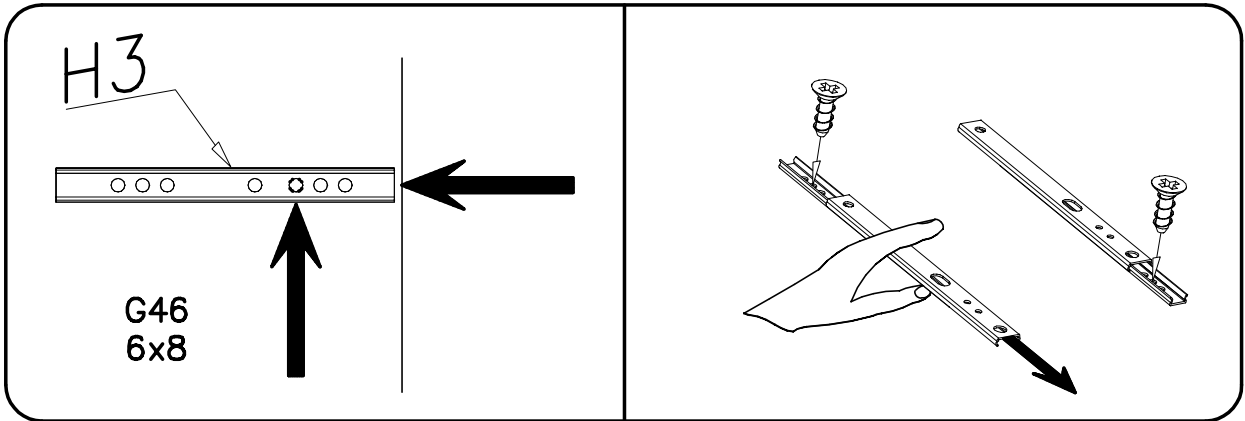
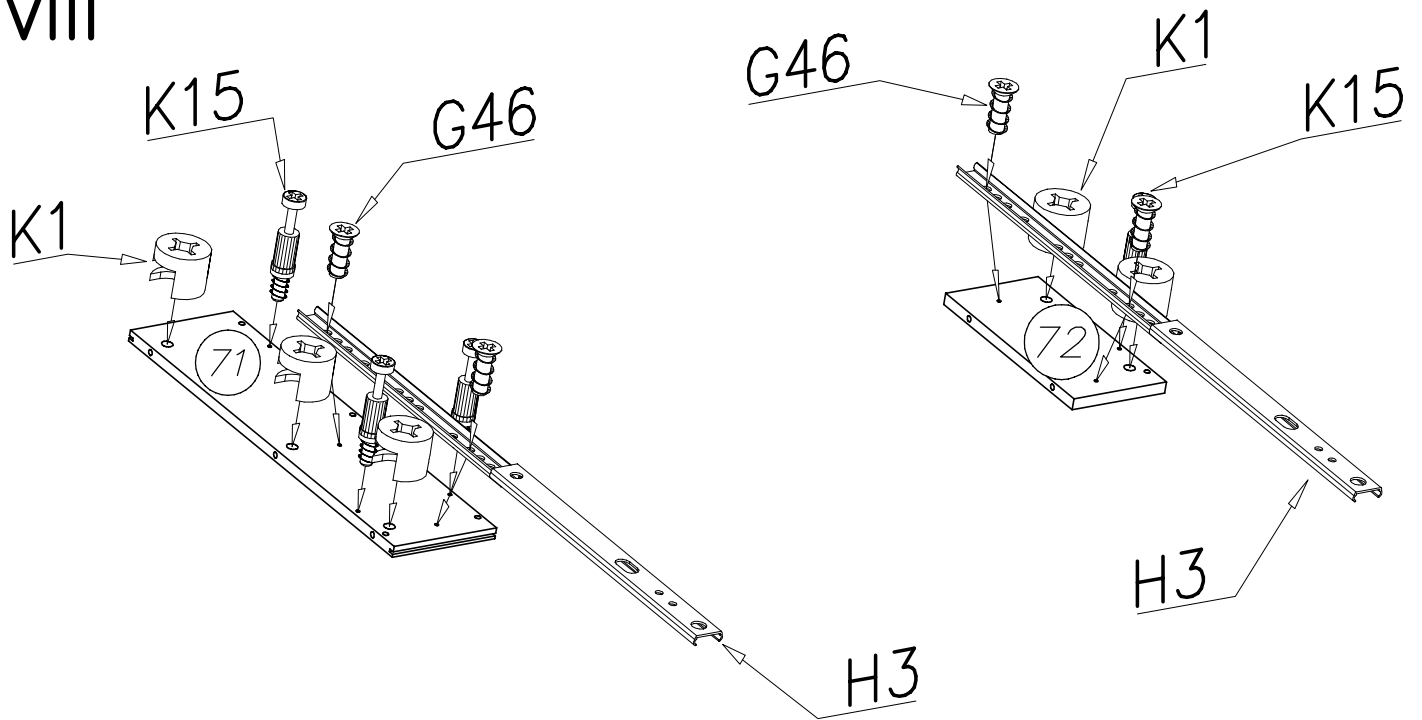


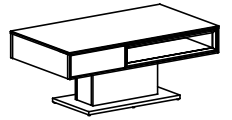
VII



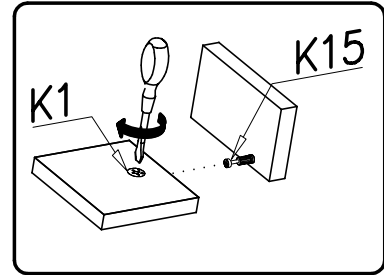
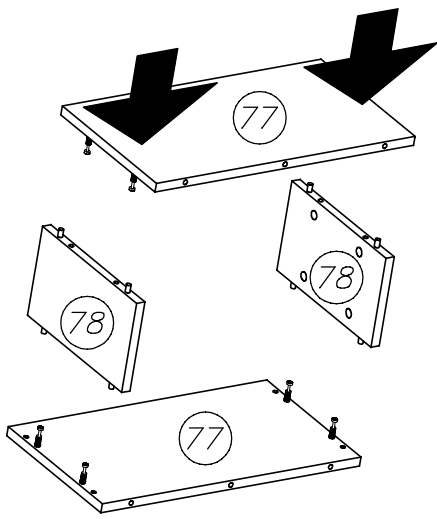


VIII

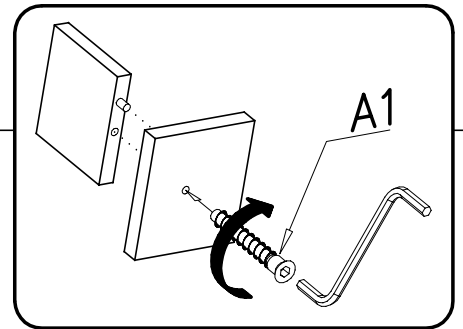
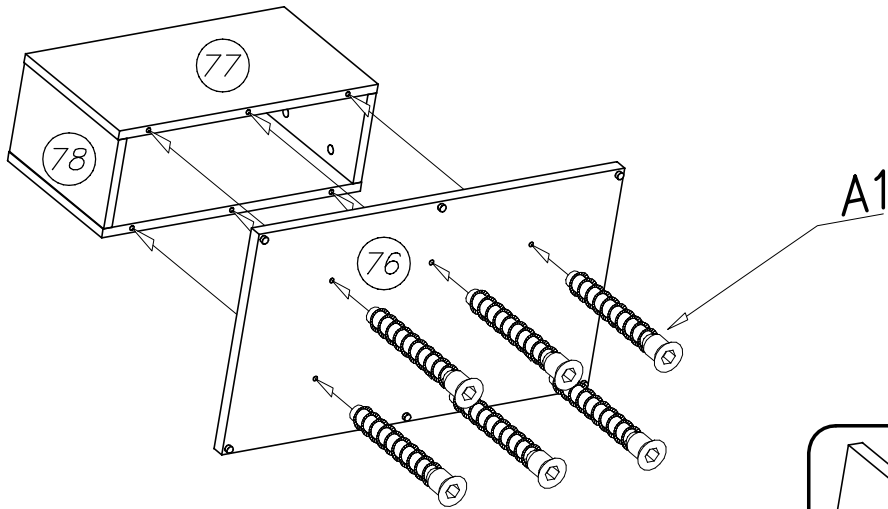




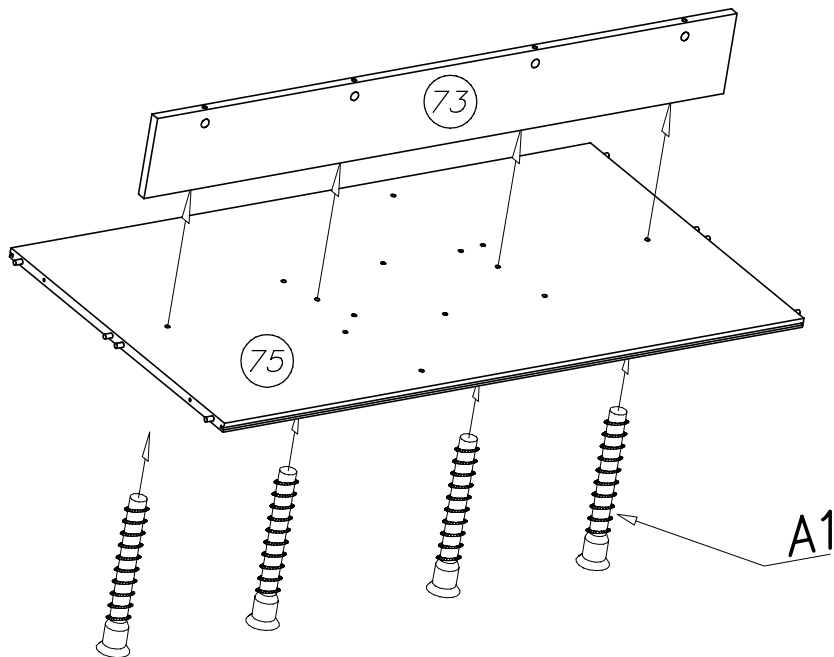
IX

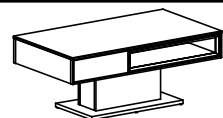


X

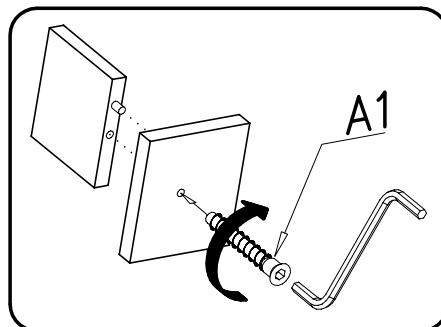
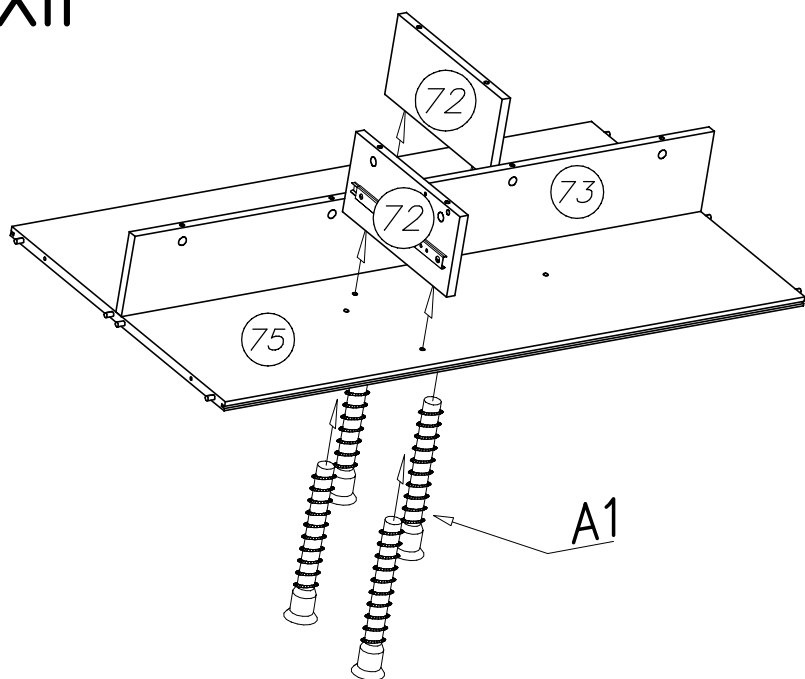


XI

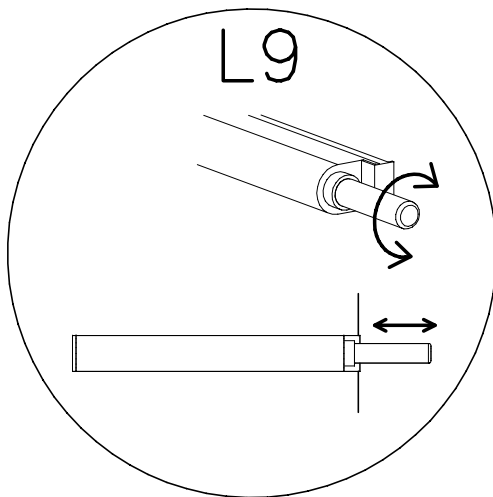
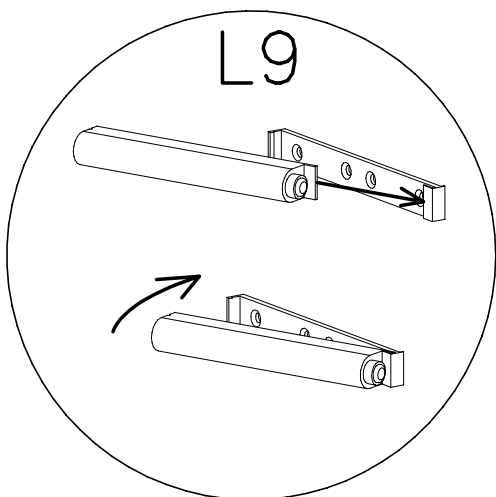
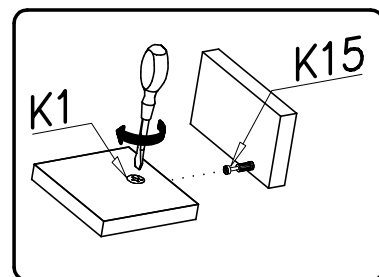
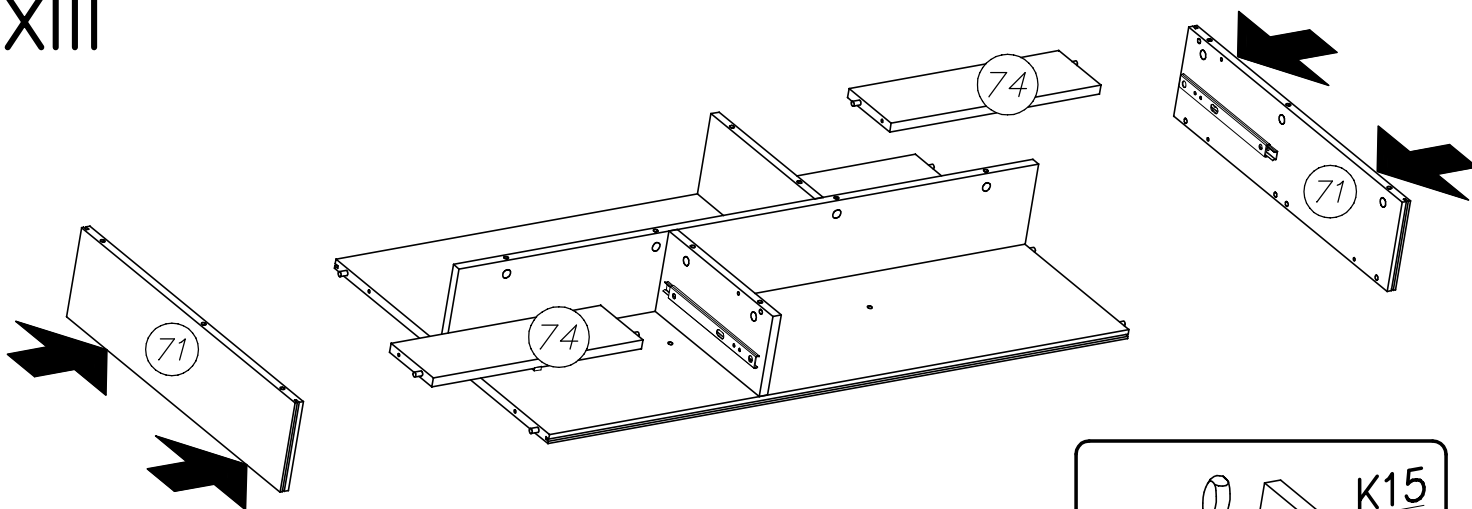


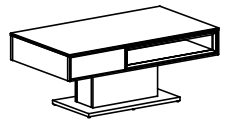


XII

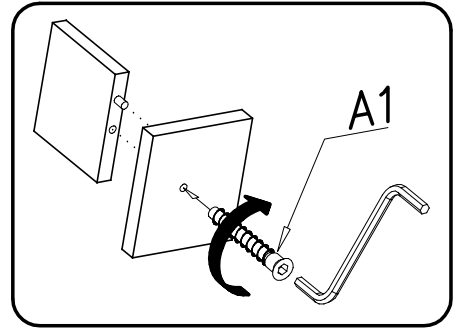
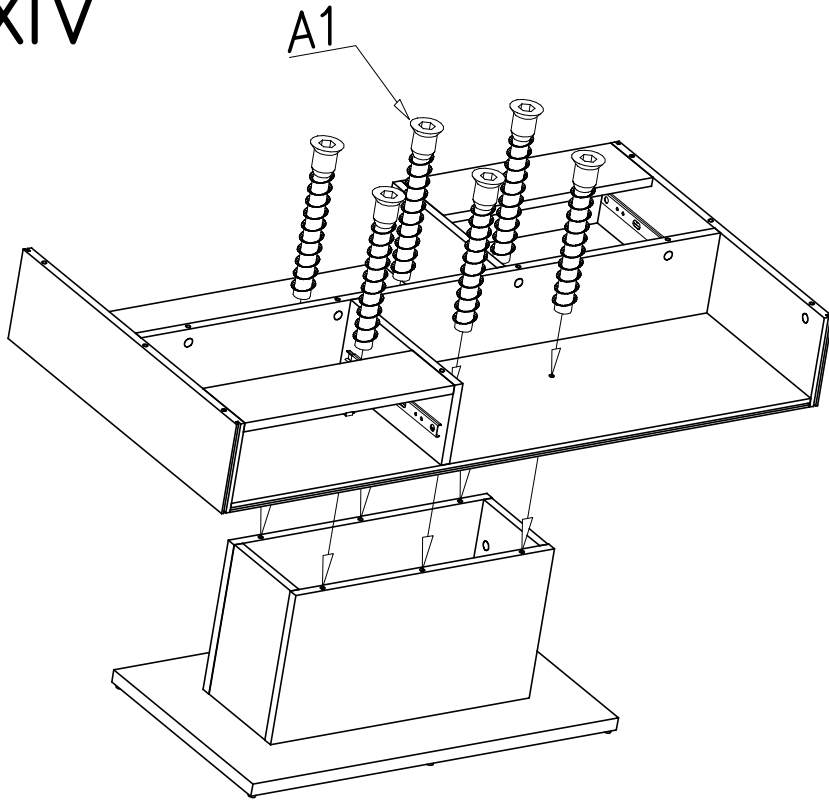


XIII

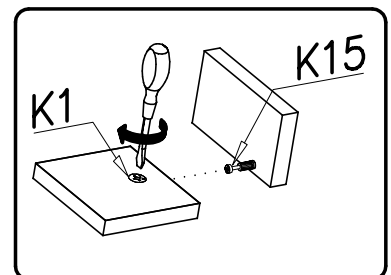
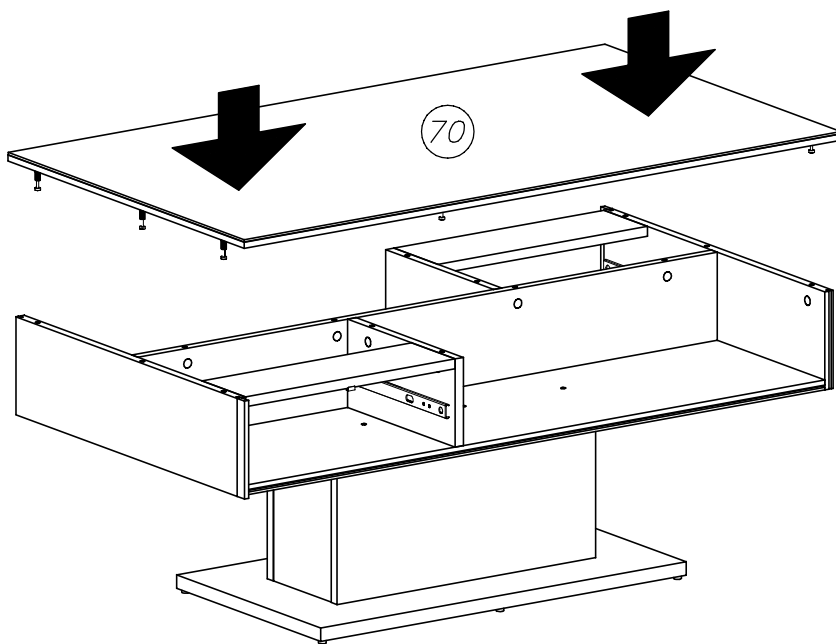


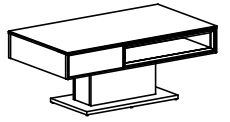


XIV

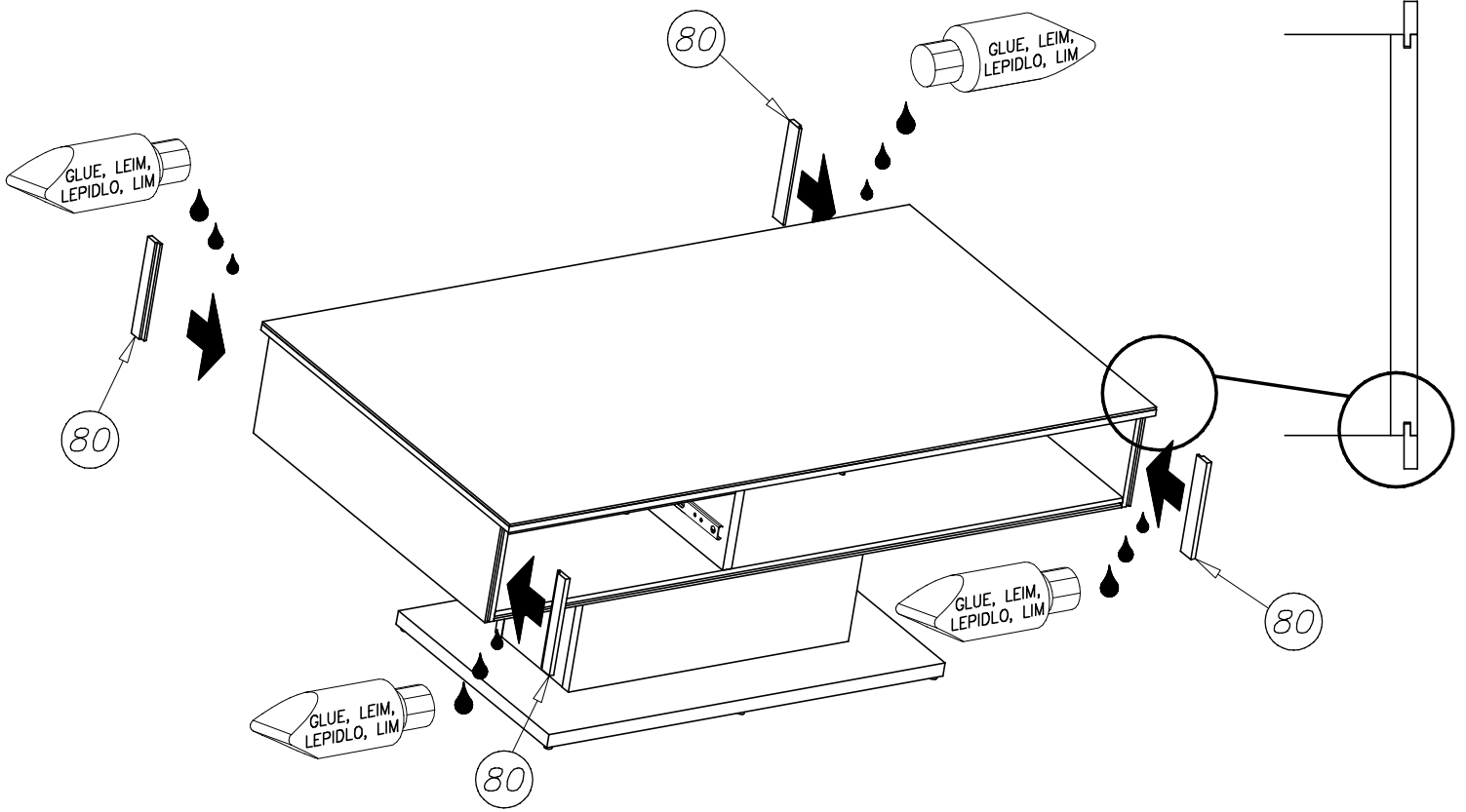


XV

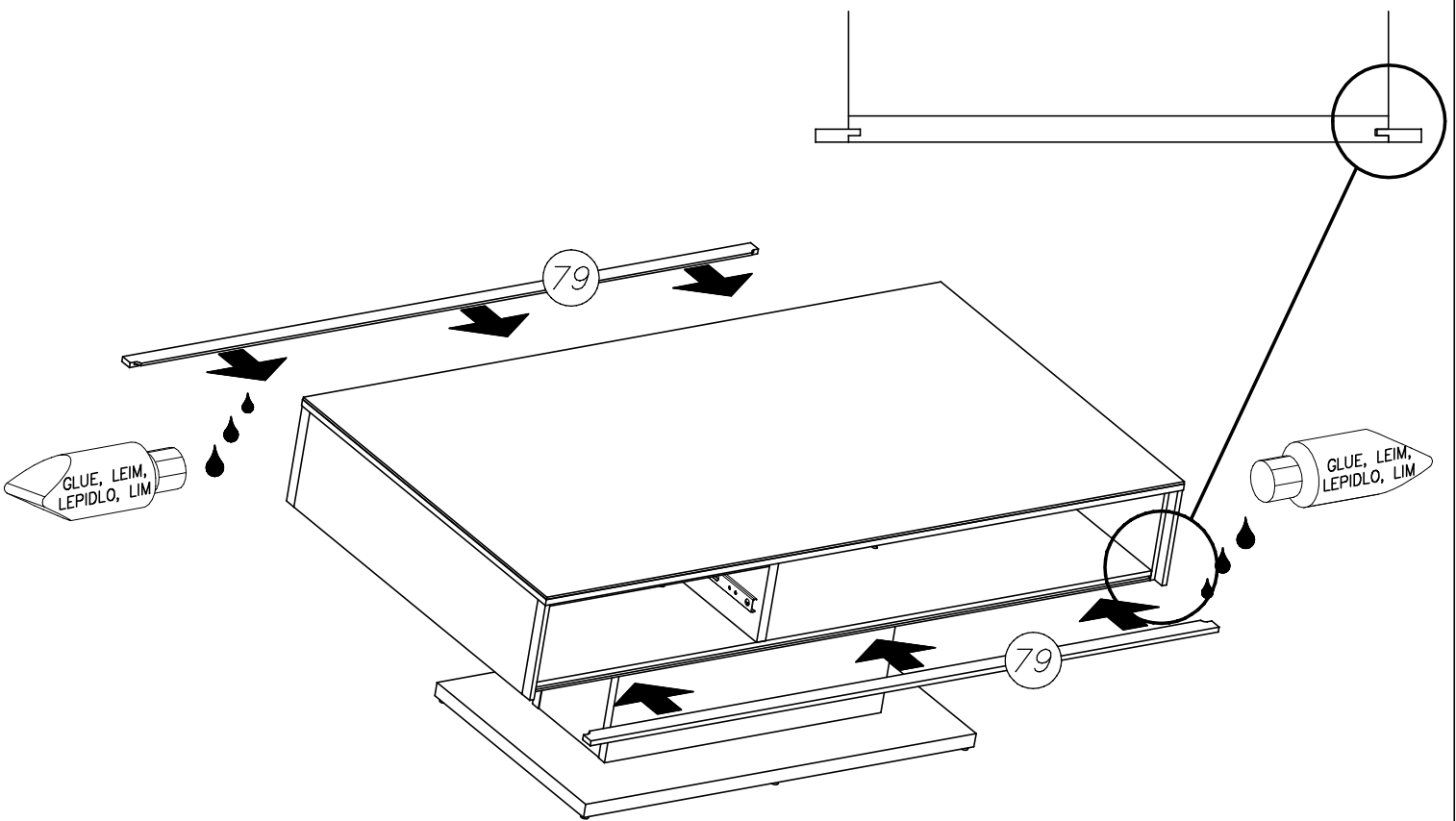


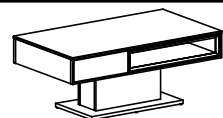


XVI

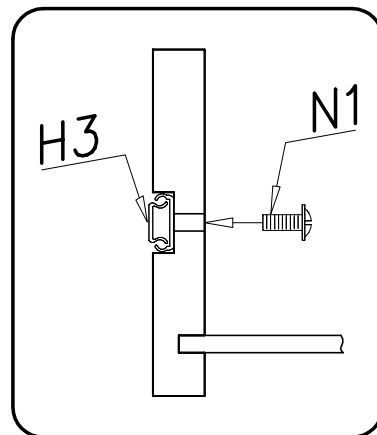
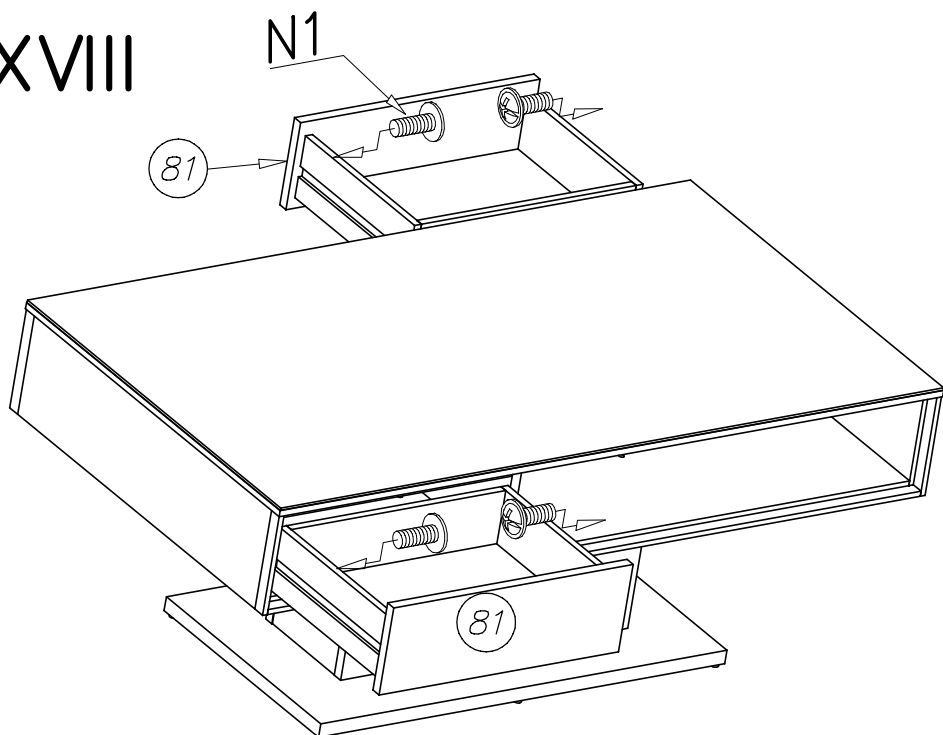


XVII





XVIII



XIX

